



IPC

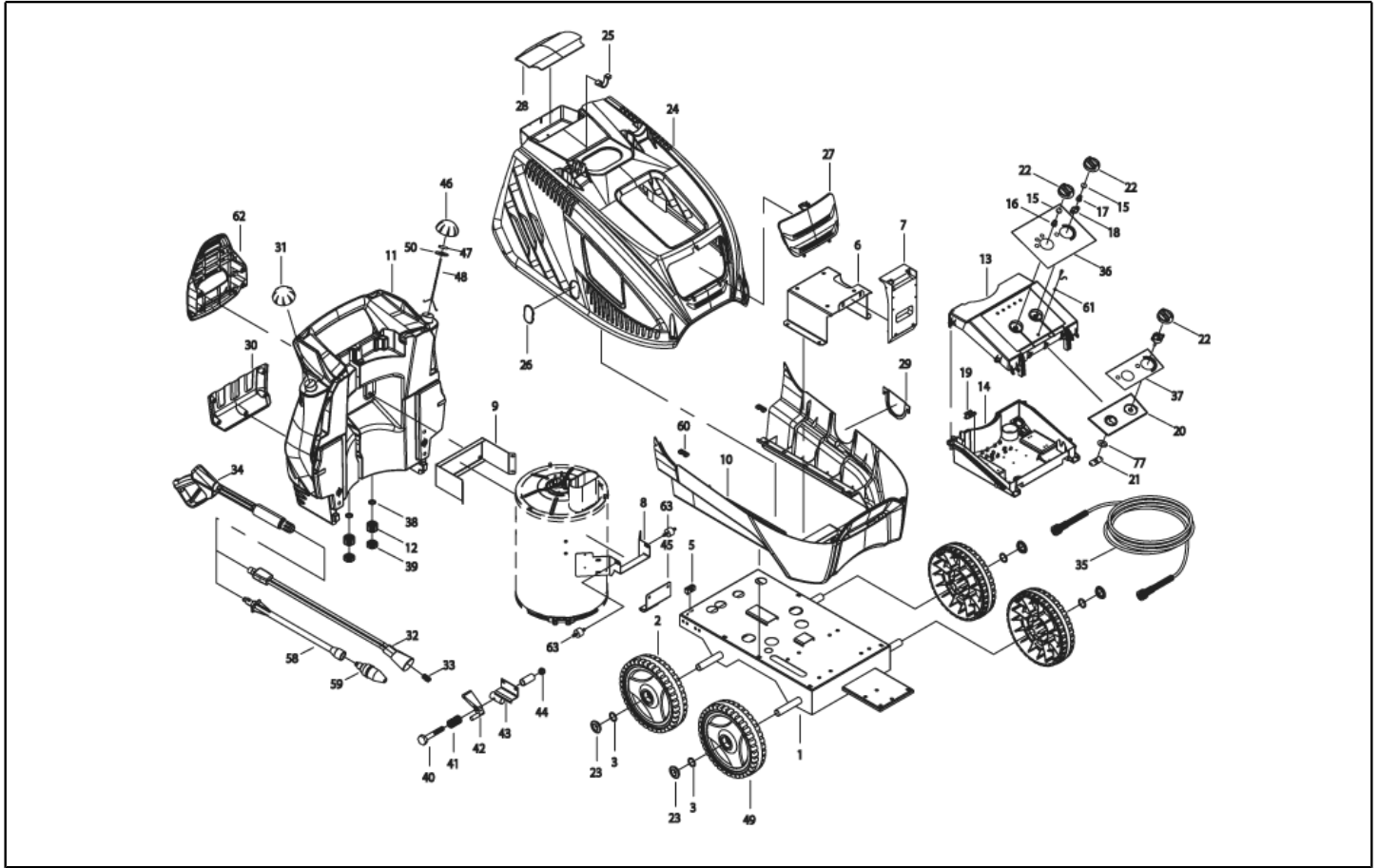
Spare parts list

Ref: IDAC41179

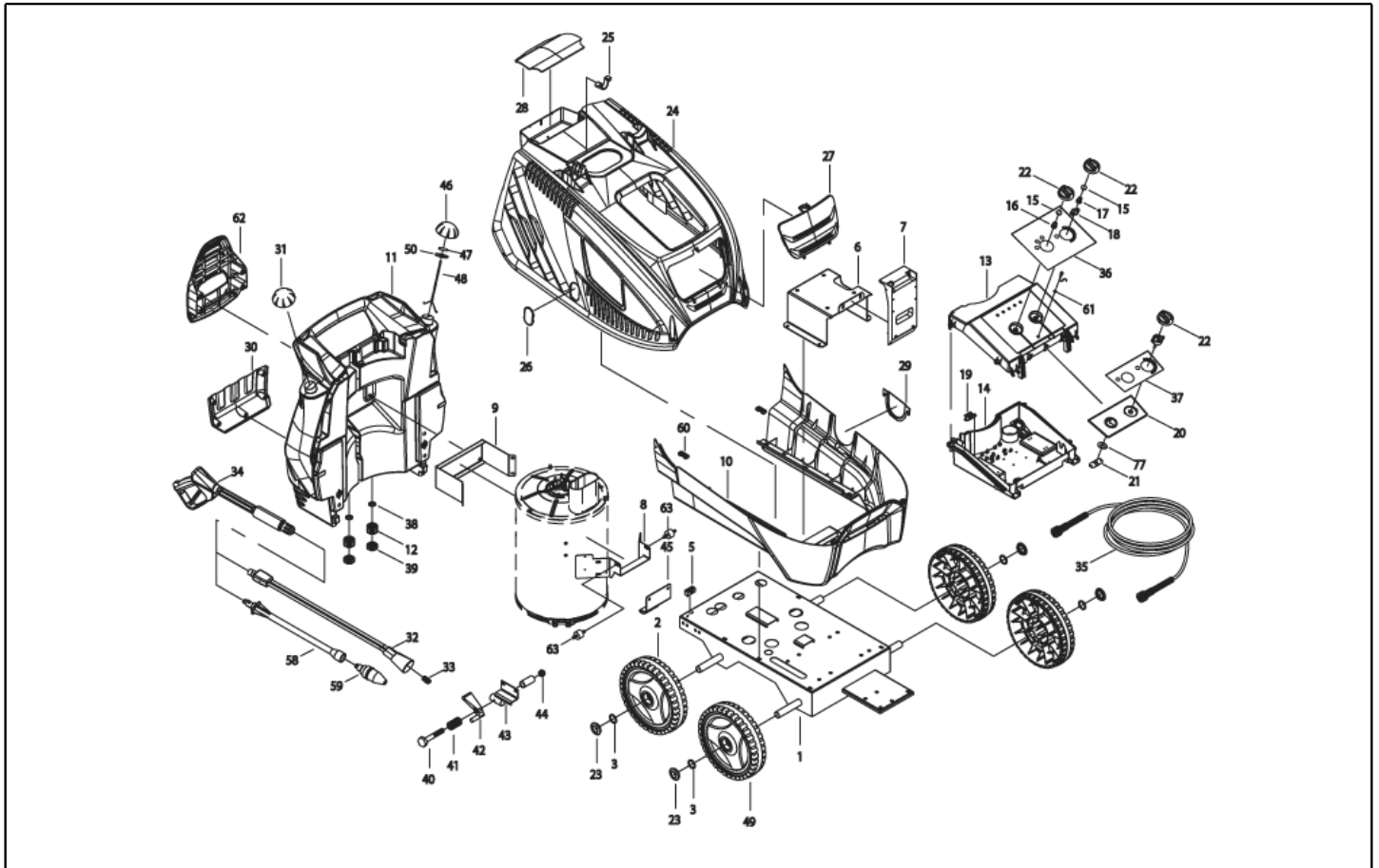
Cust.ref: 0701 190 014

Model: H.P. CLEANER GALAX-H4 D1915P4T400/50WN

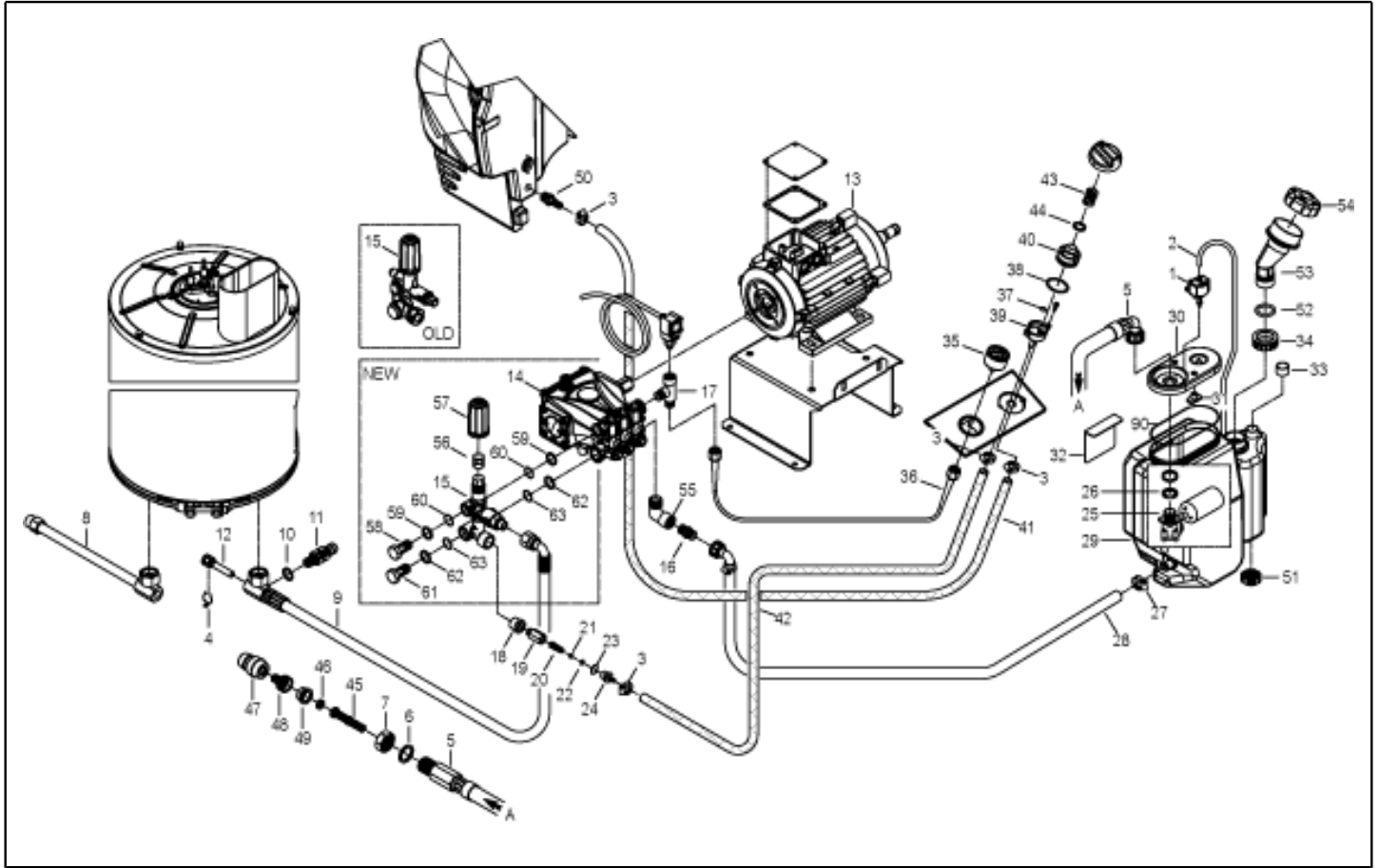
Cust.model: HDR HW190-15



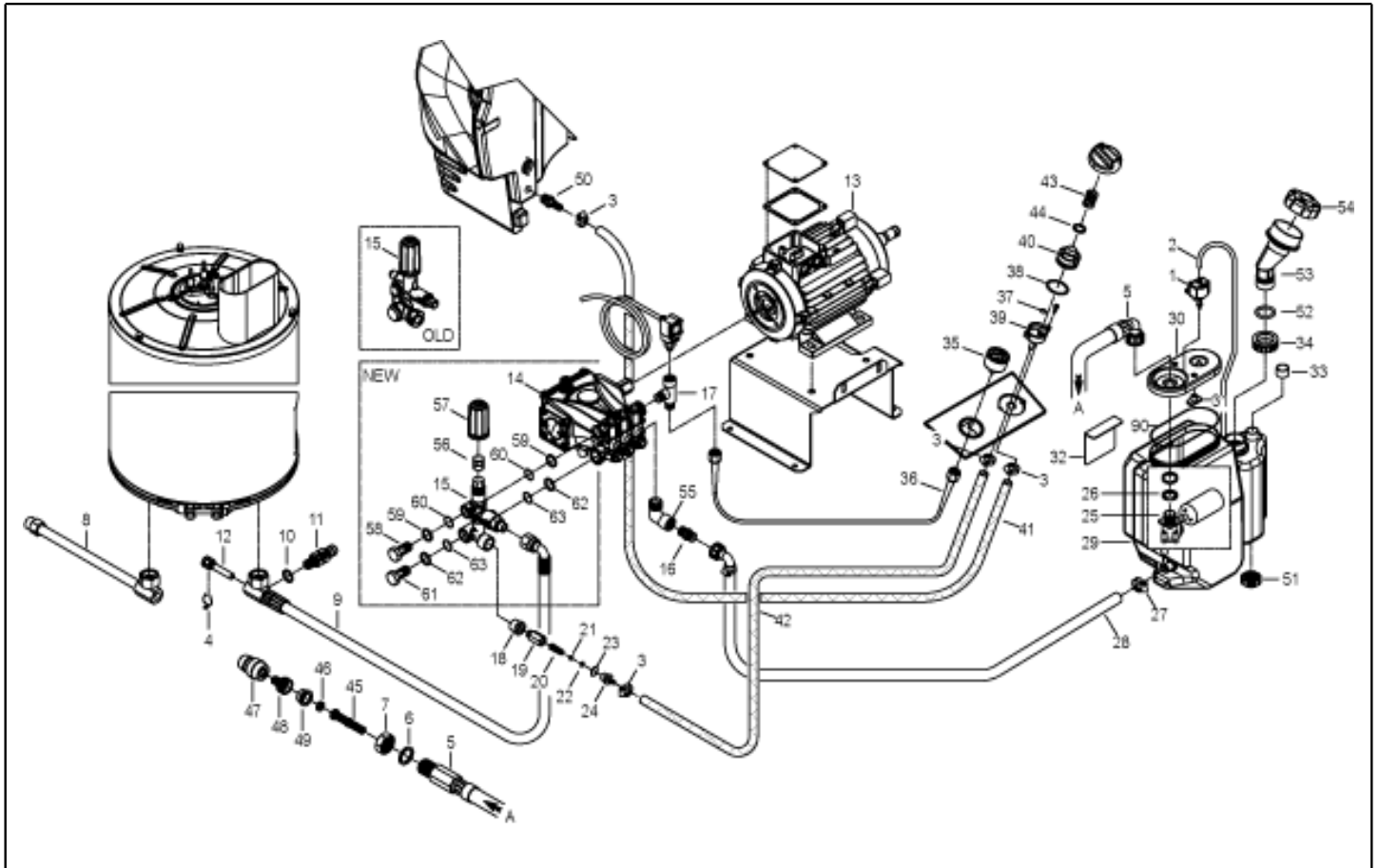
Ref. K	Part n.	Part n. 2	Description	Quantity	Validity		Price
					From	To	
0001	LAFN40760		CHASSIS PW-H50/4W BK.	1,00			--
0002	RTRT40046		WHEEL D.300-D.25 FLY-IPC BK/RED	2,00			--
0003	VTRS09813		WASHER D.25	4,00			--
0005	MEVR20906		CABLE CLAMP KSM	1,00			--
0006	LAFN40550		MOTOR SUPPORT PW-H35 6.0Hp ZC.	1,00			--
0007	MPVR33534		BOX SUPPORT MST PA 66	1,00			--
0008	LAFN40741		SUPPORT PW-H35 PM/AV ZC.	1,00	15/10/2015		--
0008	LAFN40563		SUPPORT PW-H35 PM ZC.	1,00		14/10/2015	--
0009	LAFN40835		BRACKET PW-H35 PM.2 ZC	1,00	16/11/2015		--
0009	LAFN40571		BRACKET PW-H35 PM ZC	1,00		15/11/2015	--
0010	MPVR40591		BLACK COVER PW-H35 INF.P/2P-PM PP	1,00			--
0011	MPVR40519		TANK PW-H35 PEHD BK.	1,00			--
0012	PVVR11806		DISCHARGE CAP FLL	2,00			--
0013	MPVR40736		BOX COVER PW-H35 C/F.Led ABS BK.	1,00			--
0014	MPVR40836		CONTROL BOX PW-H35 C/F.Fs.ABS BK.	1,00	10/04/2016		--
0015	GUGO25527		O-RING D. 14 X 3 NBR 70SH	2,00			--
0016	MPVR23482		TAIL PIECE TEC. TUV	1,00			--
0017	MPVR23484		TAIL PIECE THERM.KSM TUV	1,00			--
0018	MPVR41903		THICKNESS TERM.IM.PA66	1,00			--
0019	LAFN46067		SUPPORT L.60 P176	2,00			--
0020	MPVR40542		ANT. PANEL PW-H35 ABS BK.	1,00			--
0021	LAFN40922		JUNCTION BOARD PW-H35 D.14 ZC.	1,00	01/03/2017		--
0022	MPVR49057		BLACK KNOB P176-M.RACE PA6	3,00			--
0023	MPVR40735		HUB CAP D.50 G-48/IPC RD.	4,00			--
0024	MPVR40526		RED COVER PW-H35 SUP.PP	1,00			--
0024	FSVR62795		PLATE DI FISSAGGIO RPD0074	2,00			--
0025	MPVR40485		RUBBER PW-H35 15-20BK.	1,00			--
0025	MPVR40534		PIN PW-H35 PP BK.	2,00			--
0026	MPVR40539		DOOR PW-H35 PPL NT.	1,00			--
0027	MPVR40660		DOOR PW-H35 PPL BK.	1,00			--
0028	MPVR40661		DOOR PW-H35 PPL BK. PST	1,00			--
0029	MPVR40532		DOOR PW-H35 PPL BK.INF.	1,00			--
0030	MPVR40533		TOOL HOLDER PW-H35 PP BK.	1,00			--
0031	MPVR45426		TANK CAP P176 PEHD	1,00			--
0032	LCPR12983		DOUBLE EXTENS. PD 70	1,00		09/11/2016	--
0032	LCPR89117		DOUBLE EXTENS. PD 70 M22 M -1/4F INX MV	1,00	10/11/2016		--
0033	UGLN49987		NOZZLE LECH 1/4 15045	2,00			--
0034	IPPR40025		GRIP G 6000+P.330 +M22 SW.M 2V	1,00			--
0035	TBAP40062		H.P. HOSE R1 MT 15 5/16" C/2 IRV ZC	1,00			--
0036	ETET40838		LABEL PW-H35.RUNNER EL.SER	1,00			--
0037	ETET40590		LABEL PW-H35.RUNNER IDR.	1,00			--
0038	GUGO11489		GASKET D.22X1,5	2,00			--
0039	MPVR20187		RING NUT M 39 X 3	2,00			--
0040	VTVT14480		SCREW TE M 8X80 ZINC. UNI	1,00			--



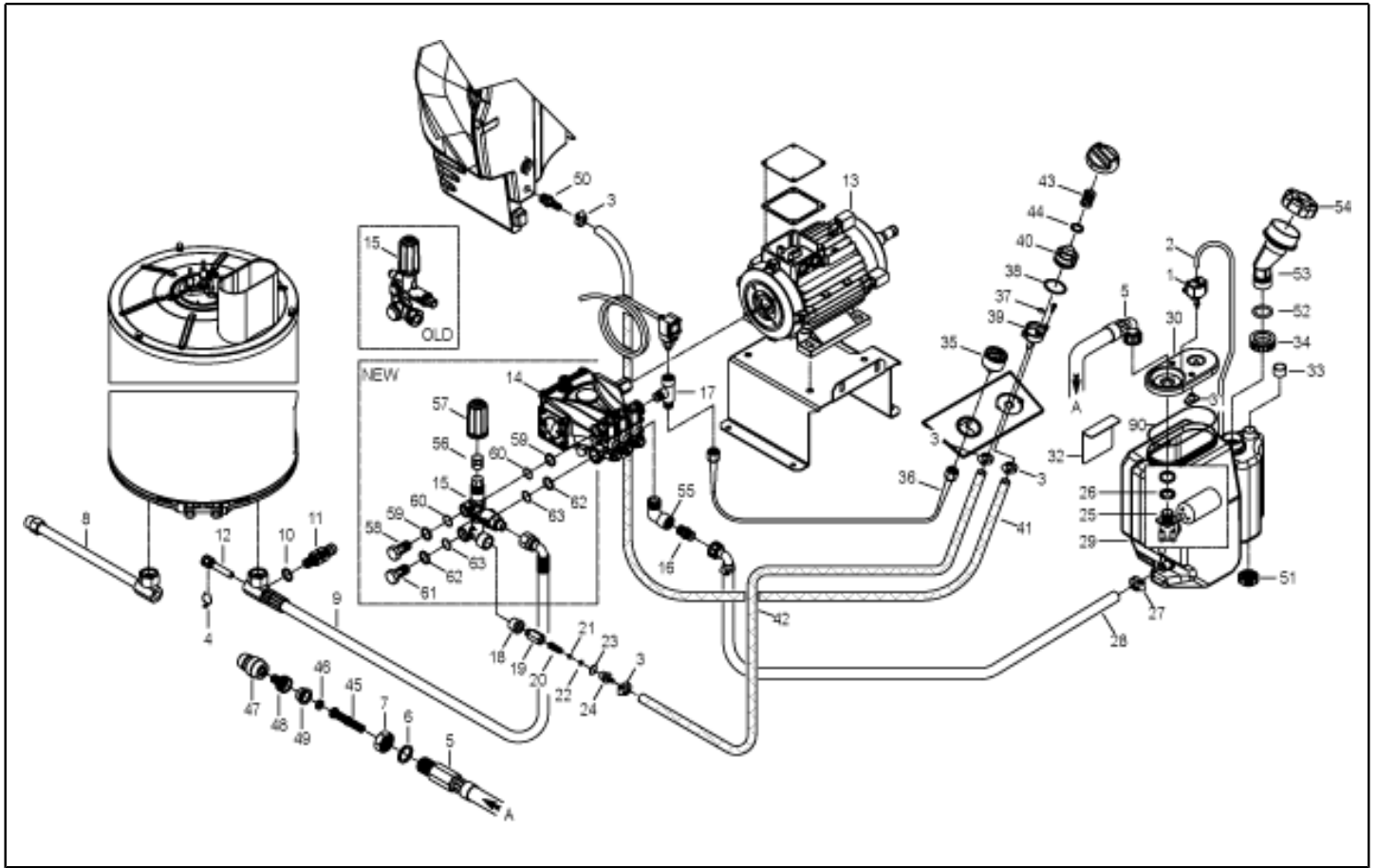
Ref. K	Part n.	Part n. 2	Description	Quantity	Validity		Price
					From	To	
0041	MLML11917		SPRING D. 14.5 X24 X2.2	1,00			--
0042	MPVR40751		TRIGGER H28/4W	1,00			--
0043	LAFN40762		BRACKET PW-H50/4W BK.	1,00			--
0044	VTDD00492		NUT M 8 ZINC	1,00			--
0045	LAFN40609		FOOT PW-H35/4W	1,00			--
0046	MPVR40401		TANK CAP P176 PEHD BL. C/F.	1,00			--
0047	LAFN40498		PIN D. 6 X 12-15 IX	1,00			--
0048	VTVR40026		SMALL CHAIN 13MG. INX L=220 G.V-MSC.	1,00			--
0049	RTRT40044		WHEEL D.250-D.25X 65 RES BK/RED	2,00			--
0050	VTRS07728		WASHER D. 6 INX	1,00			--
0060	MPVR28554		CABLE FASTNER ELT	2,00			--
0060	VTVT13234		SCREW TCB-TC 3.5X19 NIK	4,00			--
0061	GUGO40058		GASKET D. 7.7-11 X1 NBR 70SH	1,00			--
0062	MPVR40701		HOSE SUPPORT PW-H35 PP BK.	1,00			--
0063	ABGO02389		VIBRATION DAMP. 25X20- 2M6X19 -60+5SH	2,00	15/10/2015		--
0077	LAFN40921		PLATE PW-H35 D.14 ZC.	1,00	01/03/2017		--



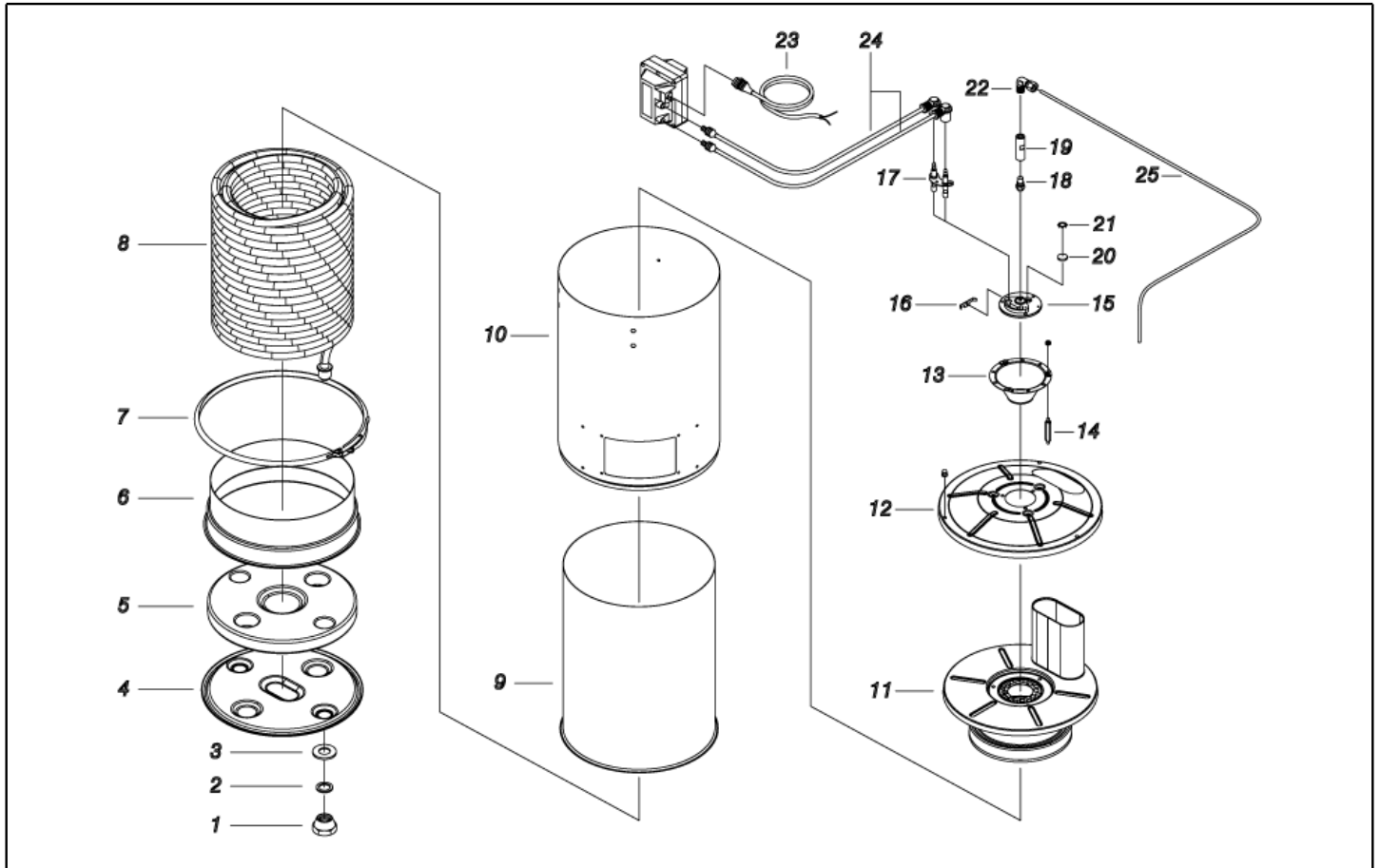
Ref. K	Part n.	Part n. 2	Description	Quantity	Validity		Price
					From	To	
0001	MEPD45940		DESCALING PUMP NME 1 24V 50/60HZ	1,00			--
0002	TBBP00058		L.P. HOSE D. 4- 7	0,60			--
0003	FSVR00427		CLAMP D. 12 CLIC 66-110	4,00			--
0004	MLML02623		SPRING IMT	1,00			--
0005	TBBP40064		L.P. HOSE L=1060 3/4F90°-1/2M 0°	1,00			--
0006	RCDS49875		RING NUT 1/2"X 6 CH.27 OT.	1,00			--
0007	VTRS00549		WASHER D.21,5X27X1.5 (1/2) RM	1,00			--
0008 S	RCDS21118		CONNECTOR KSM	1,00			--
0008 S	RCDS21119		NUT KSM	1,00			--
0008 S	RCDS40045		CONNECTOR G 3/8F -1/4 +M14X1 C.27	1,00			--
0008 S	RCDS40164		CONNECTOR L=285 2X3/8M CN. ZC.	1,00			--
0008 S	RCIN03753		MALE COUPLING M22-3/8 M-FA	1,00			--
0009	TBAP40115		HOSE-FITTING 3/ 8 R1 L=685 3/8F90-PM26	1,00			--
0010	VTRS40960		WASHER D.13.5X19 X4 AL.	1,00			--
0011	VVSC47427		VALVE MG 1000 G1/4M-M D.8 250B	1,00			--
0012	RCDS00593		SUMP IM 0-120 L=50	1,00			--
0013	MOTR40044		3PH MOTOR H35 HP 6 400-50 4P ED	1,00			--
0014	PPAP40039		PUMP RC 14.16 DX N	1,00			--
0015	VVAZ40066		VALVE VRZ-RC +TSS L.90 SI	1,00		29/02/2016	--
0015	VVAZ40079		VALVE VRF-2 AR-R PPr S/I.	1,00	01/03/2016		--
0016	RCDS88747		NIPPLE 3/4 - 1/2 CB D. 9.0	1,00			--
0017	RCDS40177		CONNECTOR T 3/8M - 1/4 M/F OT. CN.	1,00			--
0018	RCVR02606		REDUCTION 1/2-1/4 M/F	1,00			--
0019	RCDS46072		VALVE BODY N/R 1/4F-1/4 P176 OT	1,00			--
0020	MLML21505		SPRING D. 8 X5 X0.3	1,00			--
0021	SFVR04274		BALL D. 7/32	1,00			--
0022	GUGO01055		O-RING D. 5.28 X 1.78 VIT 70SH	1,00			--
0023	GUGO01036		O-RING D. 10.82 X 1.78 NBR 70SH	1,00			--
0024	RCDS10546		VALVE SEAT 1/4M + PG. D.3-7.5 OTT	1,00			--
0025	RCGR89343		FLOATER MTM 3/4 PP. S/F. +ADP.245	1,00			--
0026	RCVR49974		RING NUT 3/4" X 4 NIK	1,00			--
0027	FSVR00431		CLAMP D. 16-25	1,00			--
0028	TBBP40096		L.P. HOSE L=430 3/4F 90°-LB.	1,00			--
0029	MPVR40517		WATER TANK P190-35 PEHD BK.	1,00			--
0030	MPVR40516		TANK COVER P190-35 PA6 BL.	1,00			--
0031	MPVR89078		PLATE P190 PA6 BL.	2,00			--
0032	LAFN89079		PANEL P190 INX	1,00			--
0034	MPVR40739		TANK CAP KSM D.36.2	1,00			--
0035	MNMN93800		PRESSURE GAUGE 1/8 POST. 0-300 D.40 S/ST	1,00			--
0036	TBAP40113		POLYAMIDE HOSE L=420 1/4F GR.-1/8F MN.	1,00			--
0037	GUGO08071		O-RING D. 4.48 X 1.78 NBR 70SH	1,00	01/01/2017		--
0038	GUGO12183		O-RING D. 23.4 X 3.53 VIT 70SH	1,00	01/01/2017		--
0039	RCGR08069		TAP BODY DET. PRT	1,00	01/01/2017		--
0040	RCGR08070		ADJUSTER PRT	1,00	01/01/2017		--



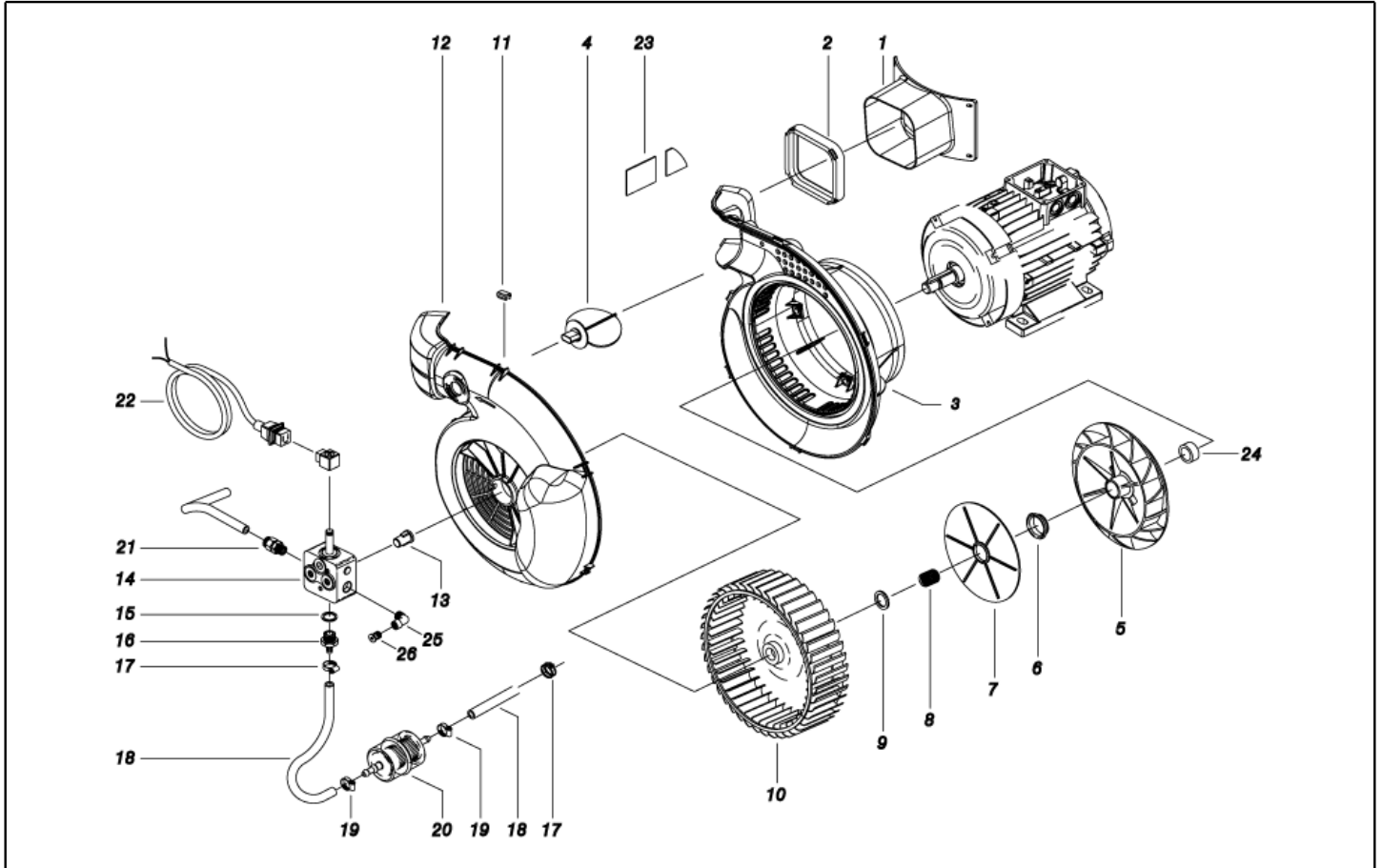
Ref. K	Part n.	Part n. 2	Description	Quantity	Validity		Price
					From	To	
0041	TBBP00051		DETERGENT HOSE D. 6-12	1,20	01/01/2017		--
0042	TBBP00051		DETERGENT HOSE D. 6-12	0,77	01/01/2017		--
0043	MLML08068		SPRING D.1,5 L.23	1,00			--
0044	VTRS00542		WASHER D.14X20	1,00			--
0045	FTAC30214		FILTER D.15X67	1,00			--
0046	GUGO37736		GASKET D. 10-19 X 5 70SH	1,00			--
0047	RCVR29600		SOCKET PTC 3/4 F	1,00			--
0048	RCVR29602		CONNECTOR D. 1/2"-5/8" PTC	1,00			--
0049	RCVR37806		REDUCTION PTC 3/4-1/2 M/F	1,00			--
0050	RCVR40113		HOSE FITTING 1/8 M D. 5- 7 NIK	2,00			--
0051	MPVR20187		RING NUT M 39 X 3	1,00			--
0052	GUGO21339		O-RING D. 29.82 X 2.62 VIT 70SH	1,00			--
0052	GUGO89386		O-RING D. 30 X 5 NBR 70SH	1,00			--
0053	RCDS25578		BUSHING IP VVW141 OT.	1,00			--
0053	MPVR40700		MANIFOLD A.CLCL PW-H35 PP NT.	1,00			--
0054	GUGO21337		O-RING D. 25.07 X 2.62 VIT 70SH	1,00			--
0054	MPVR40187		TANK CAP P215 PEHD C/F.	1,00			--
0055	RCVR00575		ELBOW 1/2" M/F A10	1,00			--
0056	PVVR40273		ADAPTER VRF-2 RG.	1,00	01/03/2016		--
0057	MPVR40589		BLACK KNOB ST 260 IPC	1,00	01/03/2016		--
0058	RCDS40172		SCREW 3/8 VRF-2 OT. 4F.	1,00	01/03/2016		--
0059	VTRS00548		WASHER D.17,5X23X1,5 (3/8)RM	2,00	01/03/2016		--
0060	GUGO03510		O-RING D. 12.37 X 2.62 NBR 70SH	2,00	01/03/2016		--
0061	RCDS40171		SCREW G 1/2 VRF-2 OT. 2F.	1,00	01/03/2016		--
0062	VTRS00549		WASHER D.21,5X27X1,5 (1/2) RM	1,00	01/03/2016		--
0063	GUGO01048		O-RING D. 15.88 X 2.62 NBR 70SH	2,00	01/03/2016		--



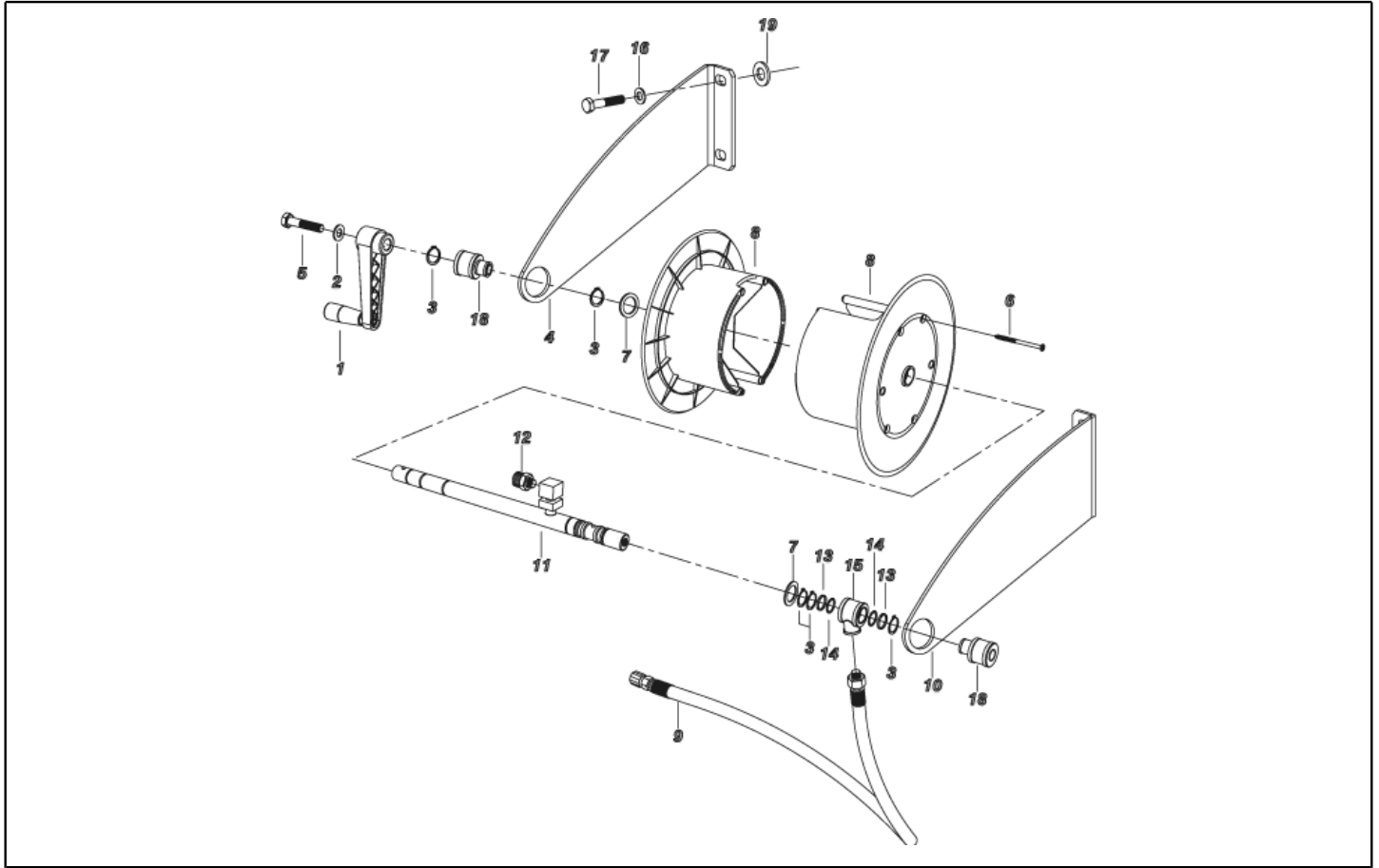
Ref. Part n.	Part n. 2	Description	Reference	Price
KTRI40257		KIT P 13- 9 PW-H35/PM	0008 0008 0008 0008 0008	--



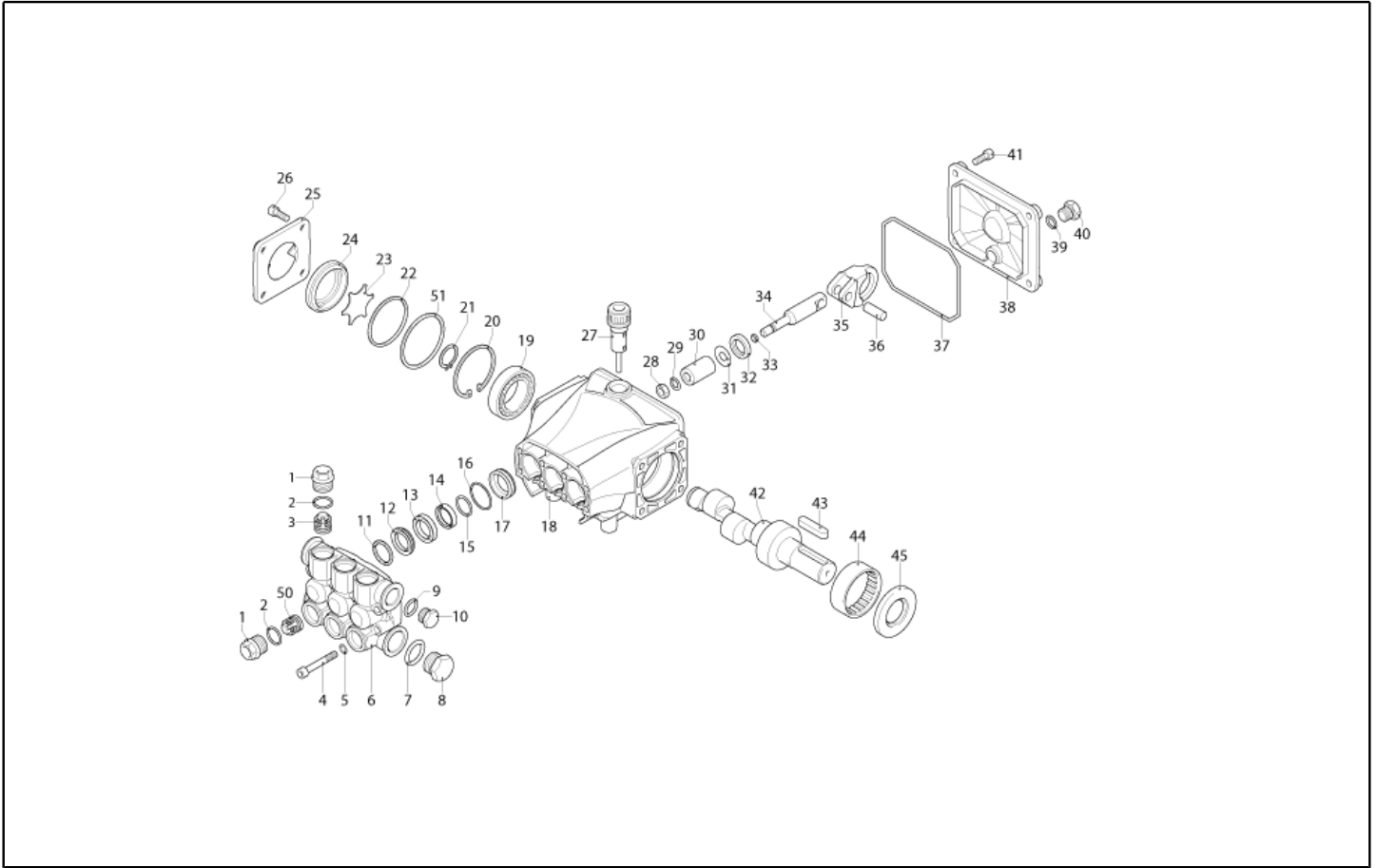
Ref. K	Part n.	Part n. 2	Description	Quantity	Validity		Price
					From	To	
0001	RCDS21120		RING NUT M 26 X 1,5	2,00			--
0002	GUGO21222		O-RING D. 15.54 X 2.62 VIT 80SH	2,00			--
0003	GUVR21021		ANTI-EXTR.RING D. 21 X17 TEF.	2,00			--
0004	LAFN44149		BOILER BOTTOM P176	1,00			--
0005	ITTE44175		BOTTOM P176 C.TE	1,00			--
0006	LAFN44151		BAND P176 INX	1,00			--
0007	LAFN40037		RING D.342 P176 ZN 2V.CPL.	1,00			--
0008	LAGR48101		DOUBLE COIL M26X1.5 P176 30MT. SP.2.6	1,00			--
0009	LASL40101		INT. CYLINDER PM INX	1,00			--
0010	LAFN40581		EXT. CYLINDER PM-H35 INX	1,00			--
0011	LAFN40269		BOILER COVER SI PM INX	1,00			--
0012	LAFN40270		BOILER COVER SE PM INX	1,00			--
0013	LAFN44244		BAFFLE P176 30M INX	1,00			--
0014	LAFN40271		PIN CH.10 X 67.7 M5M/M5M PM	3,00			--
0015	MFVR18226		ELECTR.HOLDER FUT 3°V	1,00			--
0016	LAFN07641		PLATE INX	1,00			--
0017	MECA12525		ELECTRODE FUT	1,00			--
0018	UGBR22576		BURNER NOZZLE 1.35 60 S	1,00			--
0019	RCDS07642		NOZZLE HOLDER FUT	1,00			--
0020	MPVR18228		OIL WARN-LIGHT D.17 X3	1,00			--
0021	VTAE22633		SEEGER 0.4 X18,30X10,5	1,00			--
0022	RCVR08954		ELBOW 1/8"-4 B5	1,00	01/03/2015		--
0022	RCVR08954		ELBOW 1/8"-4 B5	1,00		30/06/2013	--
0022	RCVR40126		BI-CONE CONNEC. T 1/8" M/F D. 4/ 6C NK.	1,00	01/11/2013	28/02/2015	--
0022	RCVR72867		CONNECTOR A "T" 1/8" FFM	1,00	01/07/2013	31/10/2013	--
0022	RCVR14014		BI-CONE CONNEC. DTT 1/8" M B1 D. 2/ 4 NIK	1,00	01/07/2013	31/10/2013	--
0022	RCVR89230		CAP G 1/8 M C/O-RING.	1,00	01/07/2013	28/02/2015	--
0023	MECB34463		CABLE BT L=800 SP. FD	1,00			--
0024	MECV35335		CABLE A.T. 9.8-23KOHM/M L= 500P	2,00			--
0025	TBCO40058		DIESEL HOSE PW-H35/6-4P D. 4 IX	1,00			--



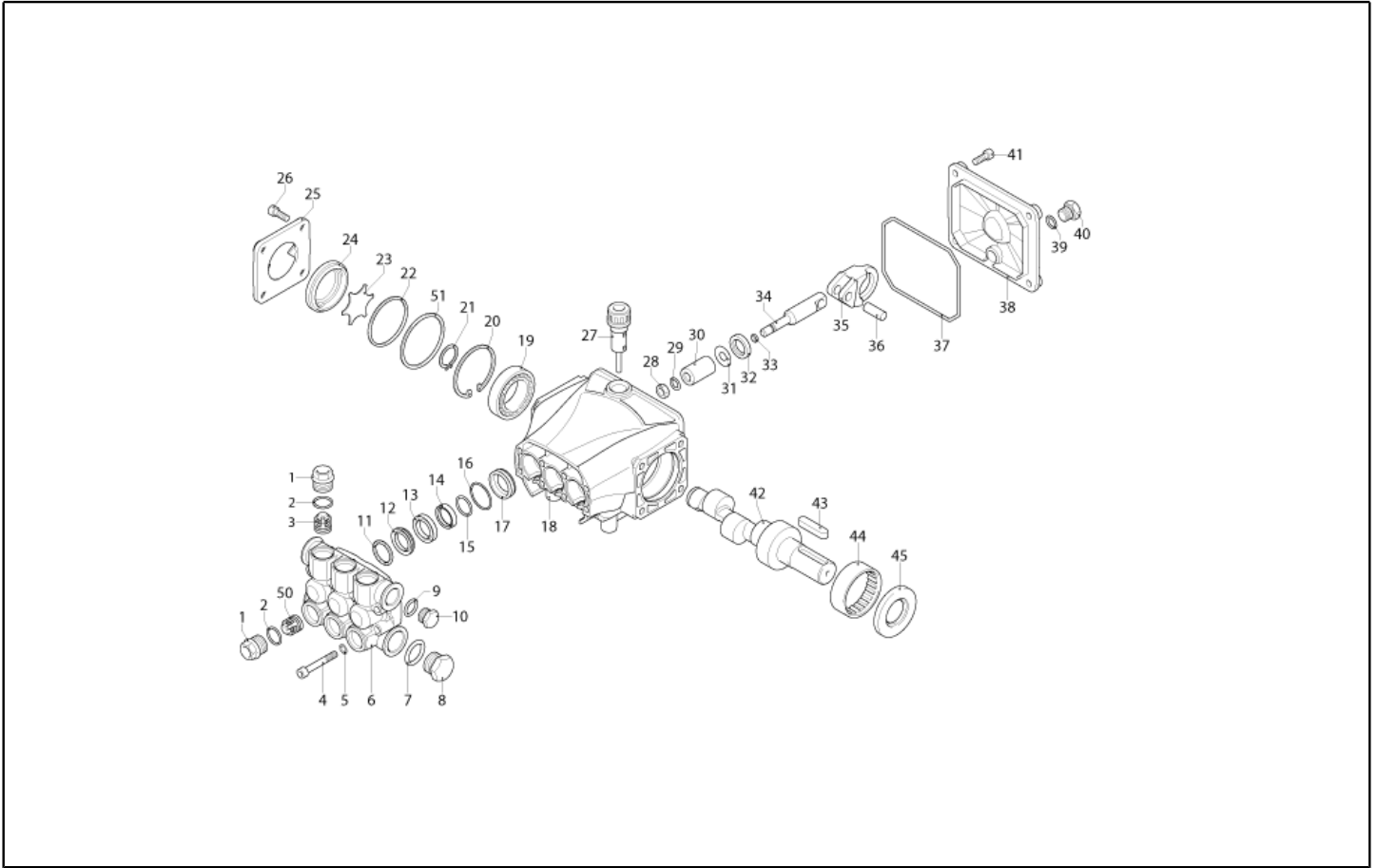
Ref. K	Part n.	Part n. 2	Description	Quantity	Validity		Price
					From	To	
0001	MPVR88426		CONVEYOR P176 PA6 BK.	1,00			--
0002	GUGO88425		GASKET P245 EPDM	1,00			--
0003	MPVR45488		SCROLL BODY P176 PP	1,00			--
0004	MPVR45445		BUTTERFLY VALVE P176 PP	1,00			--
0005	VEVR45443		MOTOR FAN P176 H 100	1,00			--
0006	LAFN45783		BUSHING D. 30 P176	1,00			--
0007	MPVR45444		SEPARATOR P176 ABS	1,00			--
0008	VTVR45002		BUSHING D. 17-19X19 CPS.	1,00			--
0009	VTAE33647		CIRCLIP D. 19 UNI 7435	1,00			--
0010	VEVR88781		IMPELLER P176 D.240 43P. 2V. PA6	1,00			--
0011	VTVR20127		CLIP KSM	8,00			--
0012	MPVR45489		VENTILATOR COV. P176 ABS	1,00			--
0013	FGGT36513		JOINT HP 0.25 AACO	1,00			--
0014	PPGS40004		FUEL PUMP DNF BFA 01R5L1	1,00			--
0015	VTRS04931		WASHER COPPER D.13X19X1.5	1,00			--
0016	RCDS00626		HOSE FITTING 1/4 M D. 5- 7	1,00			--
0017	FSVR00427		CLAMP D. 12 CLIC 66-110	2,00	01/01/2017		--
0018	TBCO06945		L.P. HOSE D. 6-12 10BAR C.PRESS	0,32			--
0018	TBCO06945		L.P. HOSE D. 6-12 10BAR C.PRESS	0,17			--
0019	FSVR11197		CLAMP D.12.9-13.6	2,00			--
0020	FTCO10912		FILTER FB 13/T NYL.	1,00			--
0021	RCVR14014		BI-CONE CONNEX. DTT 1/8" M B1 D. 2/ 4 NIK	1,00			--
0022	MECB43707		CABLE DNF L=1300	1,00	01/02/2018		--
0022	MECB46130		CABLE DLT L=1100	1,00		31/01/2018	--
0025	RCVR34780		ELBOW 1/8" M/F A10	1,00	01/03/2015		--
0026	RCVR89230		CAP G 1/8 M C/O-RING.	1,00	01/03/2015		--



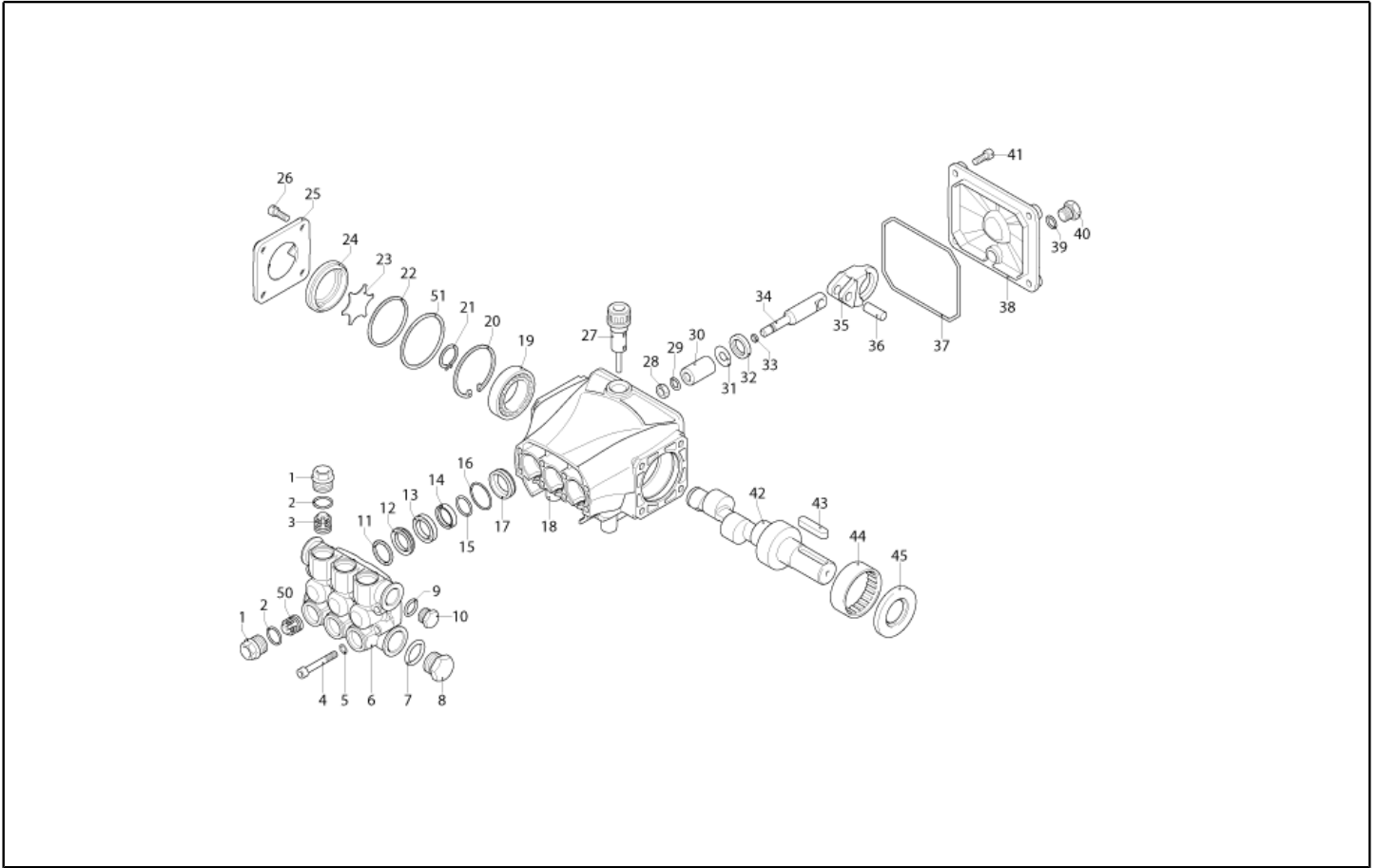
Ref. K	Part n.	Part n. 2	Description	Quantity	Validity		Price
					From	To	
0001	MPVR92147		HANDLE AVV/TUB*SERIE F*138-60 M8	1,00			--
0002	VTRS00504		WASHER D. 8 ZC. UNI 6592	1,00			--
0003	VTAE33674		CIRCLIP D. 22 UNI 7435	1,00			--
0003	VTAE33674		CIRCLIP D. 22 UNI 7435	1,00			--
0003	VTAE33674		CIRCLIP D. 22 UNI 7435	1,00			--
0003	VTAE33674		CIRCLIP D. 22 UNI 7435	1,00			--
0003	VTAE33674		CIRCLIP D. 22 UNI 7435	1,00			--
0004	LAFN40555		HOSE WIND.SUPP. PW-H35 SX	1,00			--
0005	VTVT01573		SCREW TCEI 8X25 UNI5931	1,00			--
0006	VTVT40006		SCREW AF TCB-TC 5 X20 HILO INX	4,00			--
0007	VTRS04924		WASHER D.23X 39	1,00			--
0007	VTRS04924		WASHER D.23X 39	1,00			--
0008	MPVR40581		HOSE REEL PRT.ANM PP	1,00			--
0008	MPVR40581		HOSE REEL PRT.ANM PP	1,00			--
0009	TBAP40119		HOSE-FITTING 5/16 R1 L=730 3/8M -M22 F	1,00			--
0010	LAFN40554		HOSE WIND.SUPP. PW-H35 DX	1,00			--
0011	LAFN40551		AXLE PW-H35 3PZ.	1,00			--
0012	RCIN10577		MALE COUPLING 1/4MA	1,00			--
0013	GUVR37665		ANTI-EXTR.RING D.17.8X22 X1.5 PTFE	2,00			--
0014	GUGO01032		O-RING D. 17.13 X 2.62 NBR 70SH	2,00			--
0015	RCDS89862		BLOCK PRT-P237 G3/8 OT.	1,00			--
0016	VTRS00512		WASHER D. 8 X24 ZC.	4,00			--
0017	VTVT00452		SCREW TE 8X 50 UNI 5739	4,00			--
0018	MPVR40518		BUSHING D.28-38/22.5 L=12 PVC N	1,00			--
0018	MPVR40518		BUSHING D.28-38/22.5 L=12 PVC N	1,00			--
0019	VTRS40016		WASHER D.22 X32 X1.2 ZC.	1,00			--
0019	VTRS40016		WASHER D.22 X32 X1.2 ZC.	1,00			--
0019	VTRS40016		WASHER D.22 X32 X1.2 ZC.	1,00			--
0019	VTRS40016		WASHER D.22 X32 X1.2 ZC.	1,00			--



Ref. K	Part n.	Part n. 2	Description	Quantity	Validity		Price
					From	To	
0001	PVVR40120		CAP AR RC	6,00			--
0002	GUGO03505		O-RING D. 15.6 X 1.78 NBR 70SH	6,00			--
0003	S VVAM40002		VALVE UNIT RC	6,00		31/07/2012	--
0003	S VVAM40002		VALVE UNIT RC	3,00	01/08/2012		--
0004	VTVT06236		SCREW TCCE UNI 5931 6X40 ZB	8,00			--
0005	VTRS01077		WASHER D. 6.4X10X0,7	8,00			--
0006	MFVR40019		HEAD AR RC OT.	1,00			--
0007	GUGO19245		O-RING D. 17.5 X 2 NBR 70SH	1,00			--
0008	PVVR40121		CAP 1/2 M RC	1,00			--
0009	GUGO09720		O-RING D. 14 X 1.78 NBR 70SH	1,00			--
0010	PVVR40099		CAP 3/8 M HRM	1,00			--
0011	S PVVR40122		HEAD RING D. 18 RC	3,00			--
0012	S GUVR40035		PACKING D. 18 RC H.P.	3,00			--
0013	PVVR40123		INTERMED. RING D. 18 RC	3,00			--
0014	S GUVR40036		PACKING D. 18 RC L.P.	3,00			--
0015	S GUVR40037		ANTI-EXTR.RING D.21	3,00			--
0016	S GUGO19290		O-RING D. 23.52 X 1.78 NBR 70SH	3,00		31/03/2014	--
0016	S GUGO08182		O-RING D. 21.91 X 1.78 NBR 70SH	3,00	01/04/2014		--
0017	PVVR40124		PACKING RETAIN. D. 18 RC	3,00			--
0018	MFVR40020		PUMP CRANKCASE AR RC	1,00		31/03/2014	--
0018	MFVR40027		PUMP CRANKCASE AR RCS	1,00	01/04/2014		--
0019	CUVR28336		BALL BEARING 6304	1,00			--
0020	VTAE09661		CIRCLIP D. 52 UNI 7437	1,00			--
0021	VTAE06193		CIRCLIP D. 20 UNI 7435	1,00			--
0022	GUGO02561		O-RING D. 47.3 X 2.62 NBR 70SH	1,00			--
0023	PVVR40125		DISC RC	1,00		31/03/2016	--
0023	PVVR40472		OIL INDICATOR RC CPL.	1,00	01/04/2016		--
0024	PVVR40126		OIL INDICATOR RC	1,00		31/03/2016	--
0025	MFVR40021		CRANKCASE COVER AR RC LT.	1,00			--
0026	VTVT01531		SCREW TE 6X 16 UNI 5739	4,00			--
0027	PVVR19231		OIL CAP XTS	1,00		31/03/2014	--
0027	PVVR40436		OIL CAP RC	1,00	01/04/2014		--
0028	VTDD00483		NUT M 8 ZIN UNI 5588	3,00			--
0029	VTRS19394		WASHER D. 8X13X0,5	3,00			--
0030	S PIVR40005		PISTON D.18X30 RC	3,00			--
0031	PVVR19233		DISC XTS	3,00			--
0032	S GUGO09690		OIL SEAL 15X 24X 5 NBR70	3,00			--
0033	GUGO08071		O-RING D. 4.48 X 1.78 NBR 70SH	3,00			--
0034	PVVR40127		PISTON GUIDE RC	3,00			--
0035	BLVR40001		CONNECTING ROD RC	3,00			--
0036	PVVR40128		GUDGEON D. 9X23 RC	3,00			--
0037	GUGO18695		O-RING D. 101.27 X 2.62 NBR 70SH	1,00			--
0038	MFVR40022		CRANKCASE COVER AR RC	1,00			--
0039	GUGO01036		O-RING D. 10.82 X 1.78 NBR 70SH	1,00			--



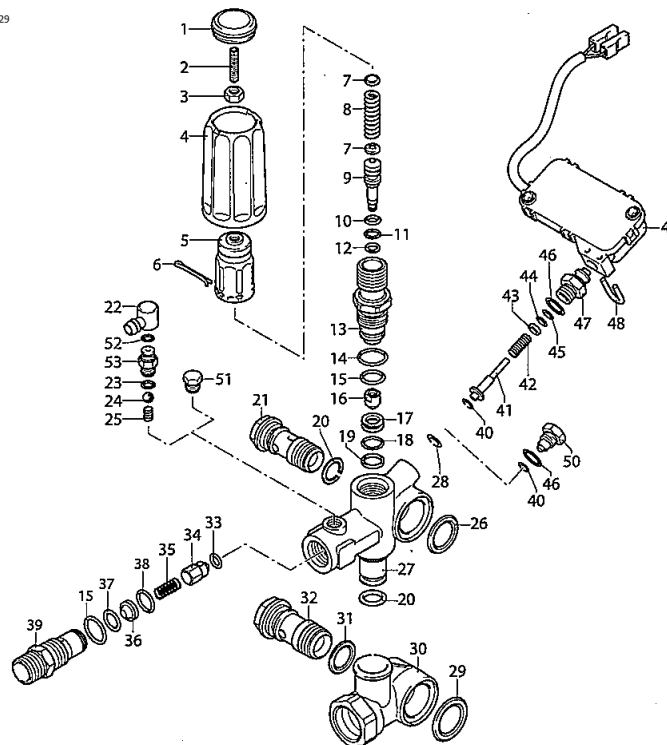
Ref. K	Part n.	Part n. 2	Description	Quantity	Validity		Price
					From	To	
0040	PVVR40129		CAP 1/4 M RC	1,00			--
0041	VTVT09913		SCREW TCEI 6X16 UNI5931	4,00			--
0042	ALMO40006		SHAFT AR RC 14LT VRS. N	1,00			--
0043	VTVR41531		KEY 8X 7X35 UNI 6604A	1,00			--
0044	CUVR23636		ROLLER BEARING HK 4516	1,00			--
0045	S GUGO00999		OIL SEAL 25X 52X 7 NBR70	1,00			--
0050	S VVAM40007		VALVE UNIT RC ASP. BK	3,00	01/08/2012		--
0051	PVVR40437		RING D. 51.8 X0.5	1,00	01/04/2014		--



Ref. Part n.	Part n. 2	Description	Reference	Price
KTRI40092		KIT P 15-2186 RC	0003	--
KTRI40093		KIT P 15-42917 RC	0030	--
KTRI40094		KIT P 15-42919 D.18 RC	0012 0014 0015 0016	--
KTRI40095		KIT P 15-42903 D.18 RC	0011	--
KTRI40096		KIT P 15-42918 RC	0032 0045	--
KTRI40207		KIT P 15-42914 RC 3+3 BL./WH.	0003 0050	--

VRZ TSS + ID

KIT F = pos. 10 11 14 15 18 19 20 23 28 29
31 33 37 38 40 44 45 46

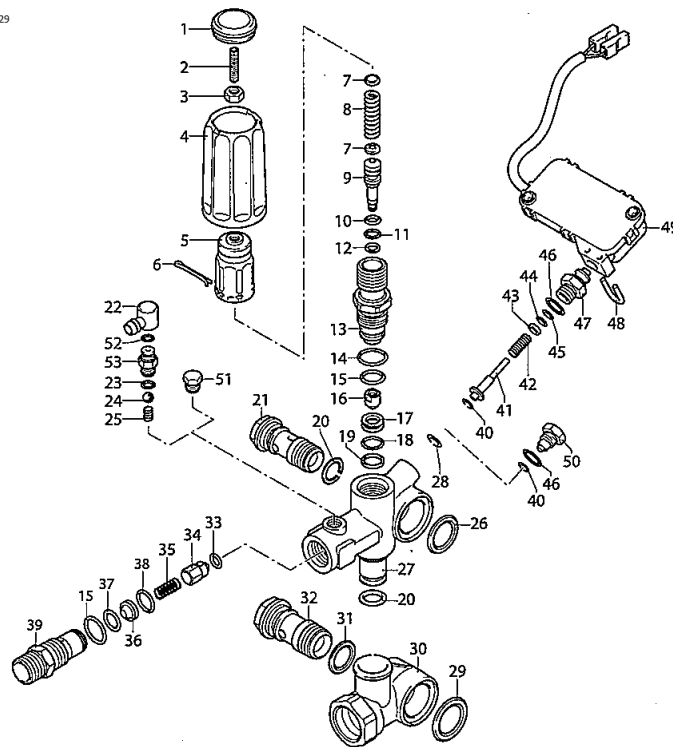


UN_00_4104-FR

Ref. K	Part n.	Part n. 2	Description	Quantity	Validity		Price
					From	To	
0001	PVVR40241		CAP VRC-BM	1,00			--
0002	VTVT40051		SCREW STEI M 6X25	1,00			--
0003	PVVR40292		NUT AR	1,00			--
0004	PVVR40418		KNOB VRZ	1,00			--
0005	PVVR40236		KNOB M.MT/4B	1,00			--
0006	VTVR40025		SPLIT PIN D. 2,6X15	1,00			--
0007	PVVR40067		SPRING PLATE AR XJS	2,00			--
0008	PVVR40419		SPRING VALVOLA VRZ	1,00			--
0009	PVVR40420		PISTON VRC-BM	1,00			--
0010	S GUGO40046		O-RING D. 6.02 X 2.62 NBR 90SH	1,00			--
0011	S GUGO12489		O-RING D. 6.07 X 1.78 NBR 70SH	1,00			--
0012	GUVR40072		ANTI-EXTR.RING D. 6.5X 9.4	1,00			--
0013	PVVR40421		PISTON GUIDE VRZ	1,00			--
0014	S GUGO03505		O-RING D. 15.6 X 1.78 NBR 70SH	1,00			--
0015	S GUGO11652		O-RING D. 12.42 X 1.78 NBR 70SH	2,00			--
0016	PVVR40423		COUPLING AR VRZ	1,00			--
0017	PVVR40424		VALVE SEAT AR VRZ	1,00			--
0018	S GUGO19194		O-RING D. 11.11 X 1.78 NBR 70SH	1,00			--
0019	S GUVR40085		ANTI-EXTR.RING D. 14 X11,8X1	1,00			--
0020	S GUGO01047		O-RING D. 11.91 X 2.62 NBR 70SH	2,00			--
0021	RCDS40068		SCREW G 3/8 M.MATIC 4/B OT.	1,00			--
0026	GUGO40057		O-RING D. 20.29 X 2.62-NBR 70SH	1,00			--
0027	PVVR40427		VALVE BODY VRZ	1,00			--
0028	S GUGO40031		O-RING D. 3.68 X 1.78 NBR 90SH	1,00			--
0029	S GUGO76542		O-RING D. 23.47 X 2.62 NBR 70SH	1,00			--
0030	PVVR40428		BODY VALVOLA VRZ	1,00			--
0031	S GUGO01058		O-RING D. 17.17 X 1.78 NBR 70SH	1,00			--
0032	RCDS40070		SCREW G 1/2 M.MATIC 4/B	1,00			--
0033	S GUGO12494		O-RING D. 4 X 2.5 -NBR 70SH	1,00			--
0034	PVVR40422		COUPLING AR VRZ	1,00			--
0035	PVVR40252		SPRING VRC-BM	1,00			--
0039	RCDS40192		NIPPLE G 3/8 VRZ	1,00			--
0040	S GUVR40084		ANTI-EXTR.RING PARBAK 8-007	1,00		31/01/2016	--
0040	S GUVR40094		ANTI-EXTR.RING D. 4.2X 7 X1 PTFE+BZ	1,00	01/02/2016		--
0041	PVVR40425		CONTOL ROD AR TSS VRZ	1,00		31/01/2016	--
0041	S PVVR40470		CONTOL ROD AR TSS VRZ.Evo	1,00	01/02/2016		--
0042	PVVR40429		SPRING VALVOLA VRZ	1,00			--
0043	PVVR40430		WASHER VALVOLA VRZ	1,00			--
0044	S GUGO19207		O-RING D. 1.78 X 1.78 NBR 70SH	1,00			--
0045	S GUVR40086		ANTI-EXTR.RING D. 4,9X 2 X1,3	1,00			--
0046	S GUGO06988		O-RING D. 7.66 X 1.78 NBR 70SH	1,00			--
0047	PVVR40431		CONNECTOR VALVOLA VRZ	1,00			--
0048	LAFN40212		PLUG "U" AR TSS	1,00			--
0049	PVVR40433		PRESSURE SWITCH TTS VRZ marc. AB	1,00			--

VRZ TSS + ID

KIT F = pos. 10 11 14 15 18 19 20 23 28 29
31 33 37 38 40 44 45 46

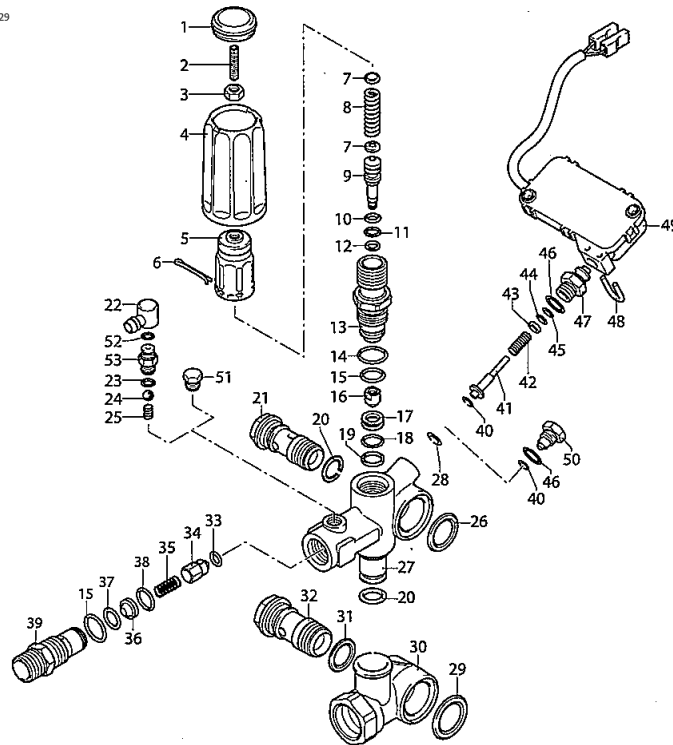


UN_00_4104-FR

Ref. K	Part n.	Part n. 2	Description	Quantity	Validity		Price
					From	To	
0051	RCDS19214		CAP 1/8 M	1,00			--

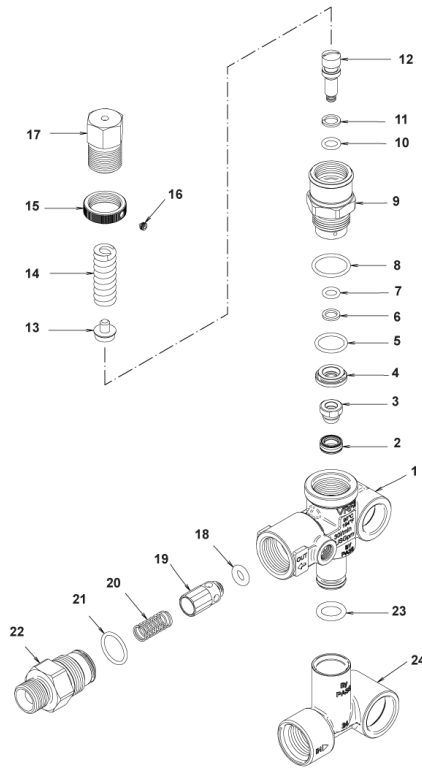
VRZ TSS + ID

KIT F = pos. 10 11 14 15 18 19 20 23 28 29
31 33 37 38 40 44 45 46

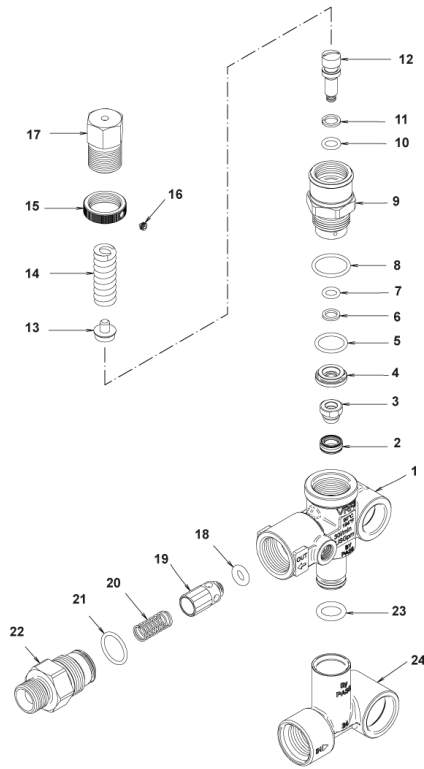


UN_00_4104-FR

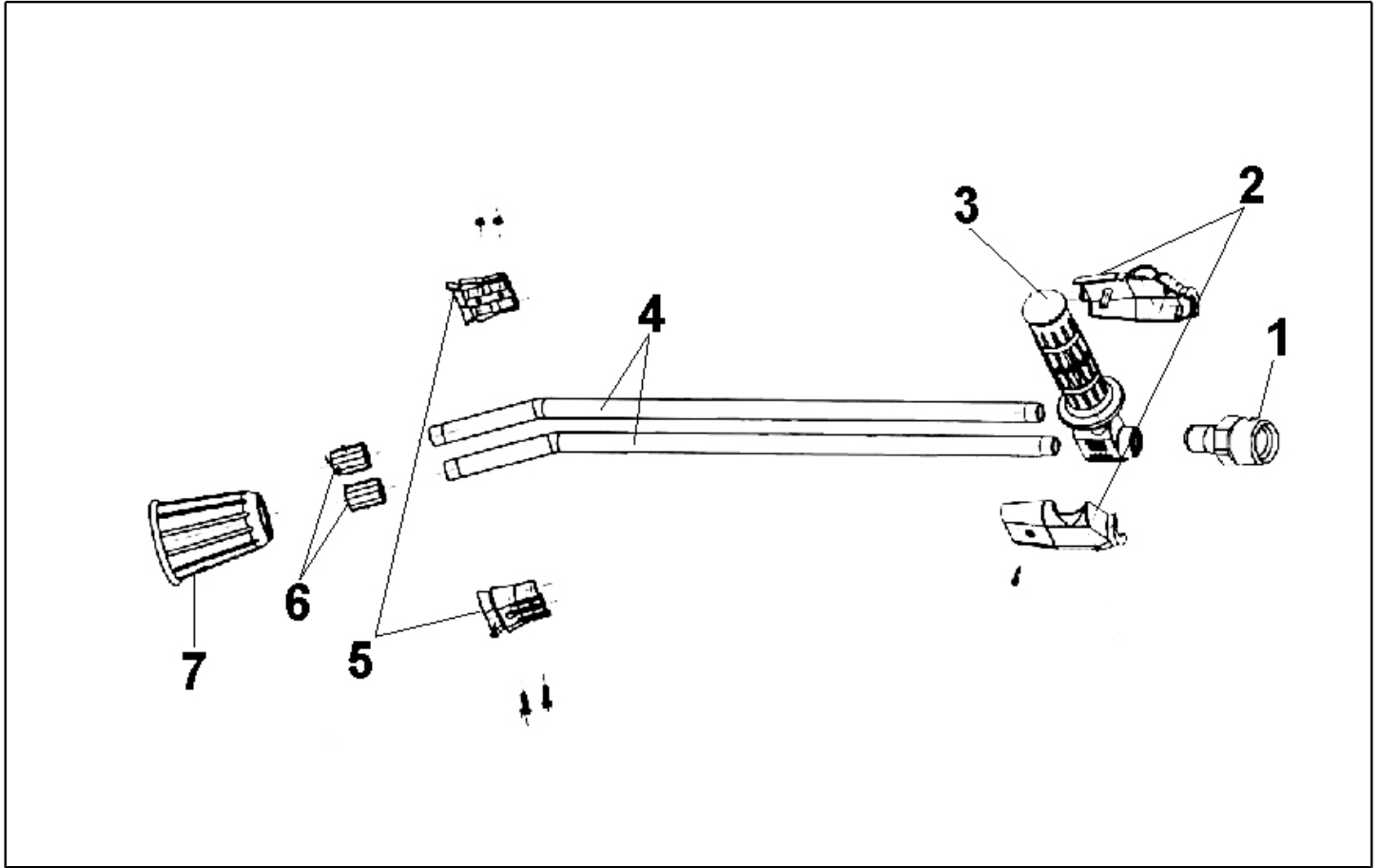
Ref. Part n.	Part n. 2	Description	Reference	Price
KTRI40394		KIT P 14-43234 VRZ.Evo	0028 0040 0041	--
F KTRI40293		KIT P SET O-RING VALVOLA VRZ	0010 0011 0014 0015 0018 0019 0020 0023 0028 0029 0031 0033 0037 0038 0040 0044 0045 0046	--



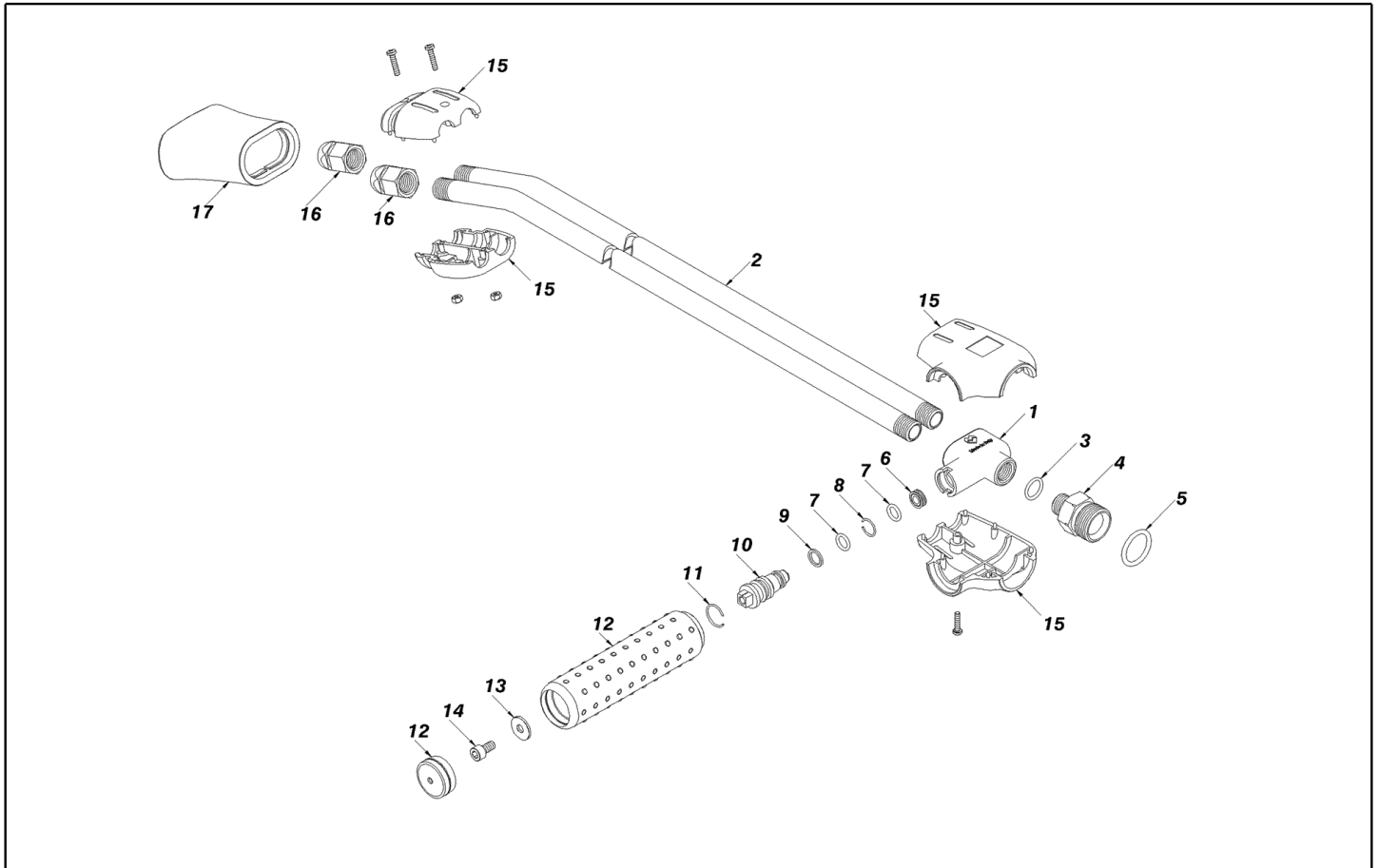
Ref. K	Part n.	Part n. 2	Description	Quantity	Validity		Price
					From	To	
0001	PVVR40375		VALVE BODY VRF2 +G1/8 F	1,00			--
0002	S	PVVR40363	VALVE SEAT MV124 +OR	1,00			--
0003	S	PVVR40364	COUPLING MV124	1,00			--
0004	S	PVVR40365	SPACER MV124	1,00			--
0005	S	GUGO12322	O-RING D. 14 X 1.78 NBR 90SH	1,00			--
0006	S	GUVR40072	ANTI-EXTR.RING D. 6.5X 9.4	1,00			--
0007	S	GUGO83861	O-RING D. 6.07 X 1.78 NBR 90SH	1,00			--
0008	S	GUGO24913	O-RING D. 17.17 X 1.78 NBR 90SH	1,00			--
0009	S	PVVR40366	CONNECTOR VRF2 D.10	1,00			--
0010	S	GUGO03500	O-RING D. 6.75 X 1.78 NBR 70SH	1,00			--
0011	S	GUVR40073	ANTI-EXTR.RING D. 7.1X10 X1.2 TBT	1,00			--
0012	S	PVVR40367	SMALL PISTON D.10 VRF2	1,00			--
0013		PVVR40368	SPRING PLATE MV124 25B	1,00			--
0014		MLML40027	SPRING D. 3.0/6.0 X38.85	1,00			--
0015		PVVR40369	RING NUT MV167.09	1,00			--
0016		VTVT89696	SCREW EI-ST 4X 4 UNI5927 ZC	1,00			--
0017		PVVR40370	CAP VRF2 M18X1	1,00			--
0018	S	GUGO46053	O-RING D. 6 X 3 NBR 90SH	1,00			--
0019	S	PVVR40349	COUPLING VRT3	1,00			--
0020	S	MLML40026	SPRING VRT3	1,00			--
0021	S	GUGO12321	O-RING D. 15.6 X 1.78 NBR 90SH	1,00			--
0022		PVVR40525	CONNECTOR VRT3 G 3/8M	1,00			--
0023		GUGO11225	O-RING D. 10.78 X 2.62 NBR 70SH	1,00			--
0024		PVVR40373	CONNECTOR VRF2.24	1,00			--



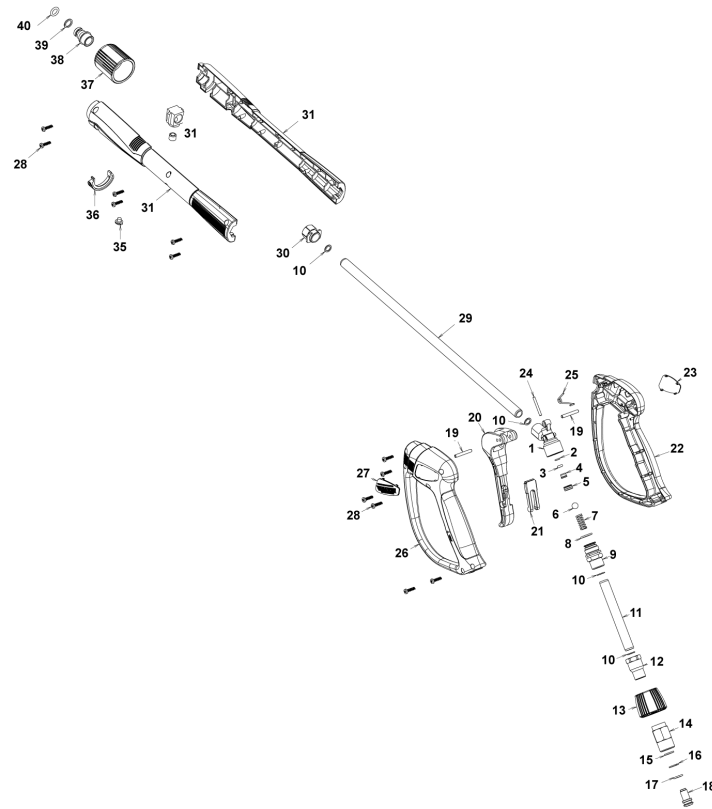
Ref. Part n.	Part n. 2	Description	Reference	Price
KTRI40236		KIT P 14-103 VRF2	0002 0003 0004 0005 0006 0007 0008 0009 0010 0011 0012 0018 0019 0020 0021	--
KTRI40237		KIT P 14-104 SET GUARNIZIONI	0002 0003 0005 0006 0007 0008 0010 0011 0018 0021	--



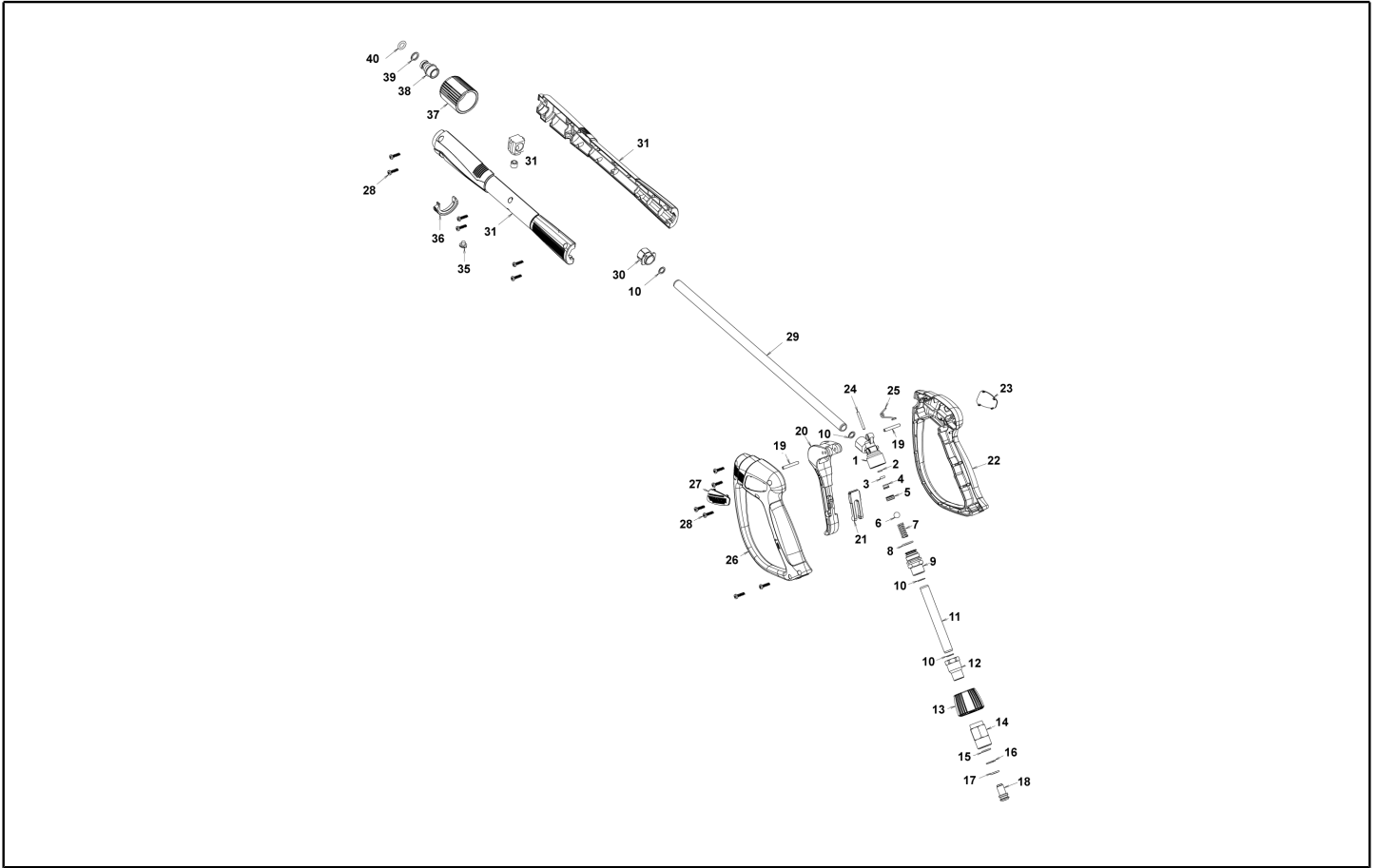
Ref. K	Part n.	Part n. 2	Description	Quantity	Validity		Price
					From	To	
0001	PVVR45296		COUPLING G 1/4M -M22 M	1,00			--
0002	MPVR45214		PROTECTION TB.1/4 MTM	1,00			--
0003	RCGR45737		TAP 1/8 F LD MTM	1,00			--
0004	LCPR45740		TUBE 1/8 L=660 INOX MTM	2,00			--
0005	MPVR45001		SHELL LD MTM	1,00			--
0006	RCVR45741		NOZZLE HOLDER 1/4-1/8 F MTM	2,00			--
0007	PVVR43810		PROTECTION L.D. MTM	1,00			--



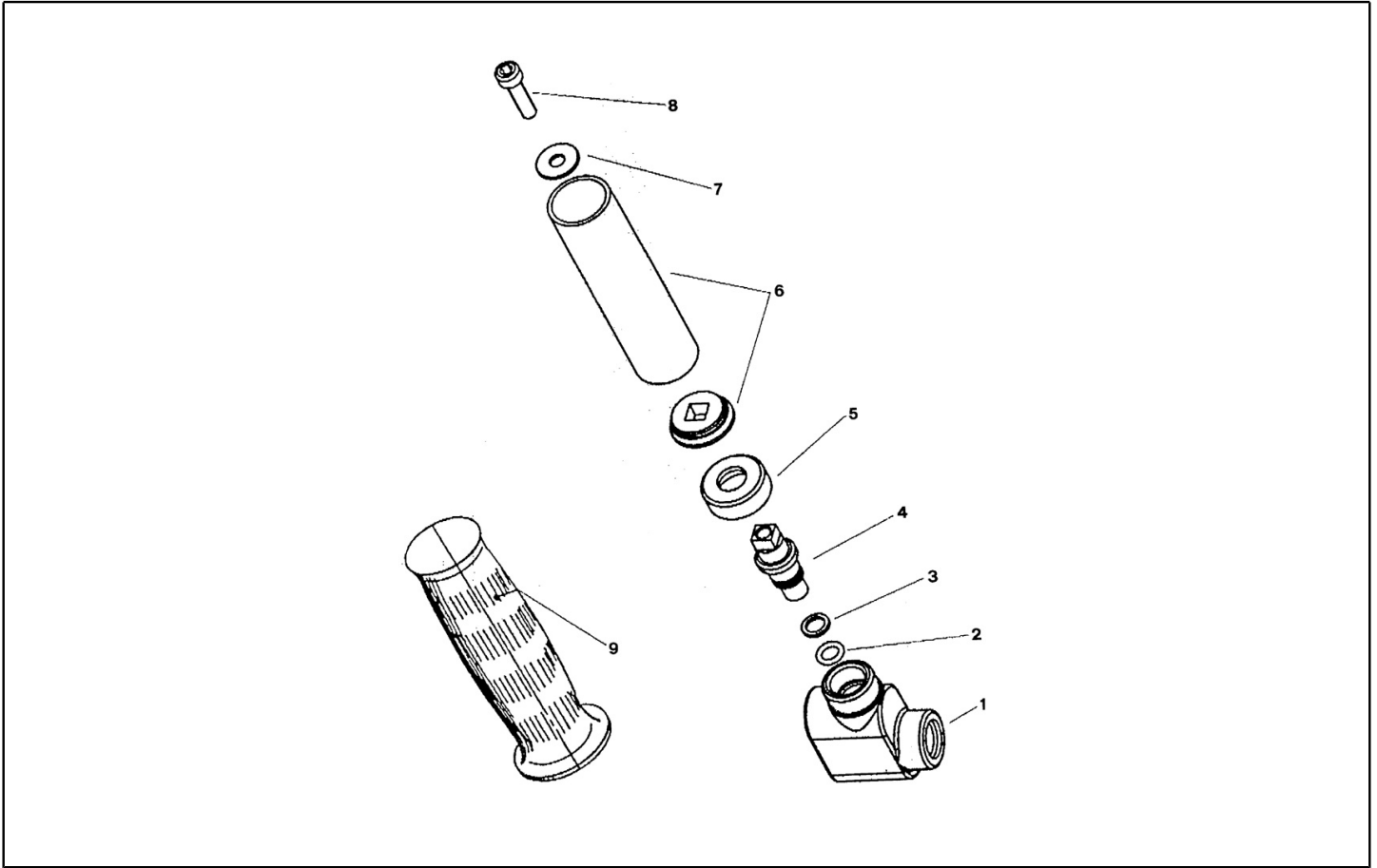
Ref. K	Part n.	Part n. 2	Description	Quantity	Validity		Price
					From	To	
0001	RCGR40000		TAP BODY L.DOP. 1/4" MV INX	1,00			--
0002	LCPR40000		TUBE 1/4 L=700 CROM.	2,00		30/11/2009	--
0002	LCPR40107		TUBE 1/4 L=700 INX.	2,00	01/12/2009		--
0003	GUGO19194		O-RING D. 11.11 X 1.78 NBR 70SH	1,00		30/09/2010	--
0003	VTRS04931		WASHER COPPER D.13X19X1.5	1,00	01/10/2010		--
0004	RCIN46781		MALE COUPLING MV 1/4 -M 22 M	1,00			--
0005	GUGO01056		O-RING D. 18.72 X 2.62 NBR 70SH	1,00			--
0006	PVVR40019		BUSHING MV LD	1,00			--
0007	GUGO06988		O-RING D. 7.66 X 1.78 NBR 70SH	2,00			--
0008	PVVR40020		CIRCLIP LD MV D. 8	1,00			--
0009	GUGO40002		ANTI-EXTR.RING D. 8 NBR	1,00			--
0010	PVVR40021		REGULAT. SCREW LD MV INX	1,00			--
0011	PVVR46783		CIRCLIP LD MV	1,00			--
0012	PVVR46784		KNOB LD MV +CAP	1,00			--
0013	VTRS15958		WASHER UNI 6592 5X15X1,5 ZB	1,00			--
0014	VTVT17639		SCREW TCEI M 5X10 UNI 5931	1,00			--
0015	MPVR46786		PROTECTION LD/TB MV	1,00			--
0016	RCVR46787		NOZZLE HOLDER 1/4-1/4 F MV	12,00			--
0017	PVVR46788		PROTECTION LD MV	1,00			--



Ref. K	Part n.	Part n. 2	Description	Quantity	Validity		Price
					From	To	
0001	PVVR40381		GUN BODY G 5100 G1/4F	1,00			--
0002	S	GUVR40074	ANTI-EXTR.RING D. 3 X 7.4X1.3	1,00			--
0003	S	GUGO21835	O-RING D. 2.84 X 2.62 VIT. 80SH	1,00			--
0004		PVVR40382	PISTON GUIDE G 5100	1,00			--
0005	S	PVVR40563	BALL SEAT AL36 G6000 + OR	1,00			--
0006	S	SFVR40004	BALL D. 5/16" ALL.GR16	1,00			--
0007		MLML40047	SPRING D. 9.4 x23.5x1.6 G6000	1,00			--
0008		GUGO12322	O-RING D. 14 X 1.78 NBR 90SH	1,00			--
0009		PVVR40383	CONNECTOR COLL.G5100 1/4F	1,00			--
0010		VTRS40017	WASHER D. 8.2X11,4X1.00	4,00			--
0011		PVVR40384	TUBE G 1/4" L.105	1,00			--
0012		RCIN40022	CONNECTOR SWIV G5100 1/4F	1,00			--
0013		MPVR40967	RING NUT G 6000 SW. GR.	1,00			--
0014		RCIN40021	JOINT SWIV 5100 M22	1,00			--
0015	S	GUVR40075	ANTI-EXTR.RING D. 10 X14X1.5	1,00			--
0016	S	GUVR40076	ANTI-EXTR.RING D. 11.2X14X1.2	1,00			--
0017	S	GUGO15295	O-RING D. 10.82 X 1.78 VIT 75SH	1,00			--
0018		PVVR40386	SCREW SW. G 5100	1,00			--
0019		VTVR40047	PLUG D. 4X29	2,00			--
0020		MPVR40820	TRIGGER G 6000-SW	1,00			--
0021		MPVR40821	SAFETY-DEVICE G 6000-SW	1,00			--
0022		MPVR40822	SHELL G 6000-SW DX	1,00			--
0023		MPVR40968	PLATE G 6000/2 GR.DX	1,00			--
0024		PVVR40564	SMALL PISTON G 6000 AL36 SP.	1,00			--
0025		MLML40029	SPRING G 5100	1,00			--
0026		MPVR40824	SHELL G 6000-SW SX	1,00			--
0027		MPVR40825	PLATE G 6000 GR.SX	1,00			--
0028		VTVT40043	SCREW AF 4X 14 HILO ZN.N	12,00			--
0029		LCPR40181	TUBE 1/4 L=416 ZC. 0°	1,00			--
0030		MPVR40493	CONNECTOR G 5100-SW	1,00			--
0031		MPVR40494	PROTECTION P 420 C/AN.	1,00			--
0035		MPVR40198	CAP G 5000	1,00			--
0036		MPVR40495	CAP G 5100 REM.	1,00			--
0037		PVVR40119	CONNECTION M22X1,5 IRV G5000	1,00			--
0038		RCIN40048	GUDGEON G 1/4 F IRV G6000/2	1,00			--
0039		GUVR40034	ANTI-EXTR.RING D. 10 X14	1,00			--
0040		GUGO63555	O-RING D. 9.3 X 2,4 VIT 75SH	1,00			--



Ref. Part n.	Part n. 2	Description	Reference	Price
KTRI40243		KIT P 26- 26 SWIVEL G 5100	0015 0016 0017	--
KTRI40513		KIT P 26- 36 G 6000/II	0002 0003 0005 0006	--



Ref. K	Part n.	Part n. 2	Description	Quantity	Validity		Price
					From	To	
0001	RCGR41556		TAP BODY L.DOP. 1/8" MTM	1,00		08/03/2010	--
0001	PVVR40132		VALVE BODY L.DP 1/4F-1/8FF CP.	1,00	09/03/2010		--
0002	GUGO10330		O-RING D. 6.07 X 1.78 VIT 70SH	1,00		08/03/2010	--
0003	GUVR41551		ANTI-EXTR.RING SR 010	1,00		08/03/2010	--
0004	PVVR41553		SMALL PISTON L.DP. MTM	1,00		08/03/2010	--
0005	PVVR41555		RING NUT L.DOP. MTM	1,00		08/03/2010	--
0006	LAFN41552		PIPE D. 22 MTM	1,00			--
0007	VTRS15958		WASHER UNI 6592 5X15X1,5 ZB	1,00			--
0008	VTVT17639		SCREW TCEI M 5X10 UNI 5931	1,00			--
0009	MPVR41554		KNOB D. 22 MTM	1,00			--