

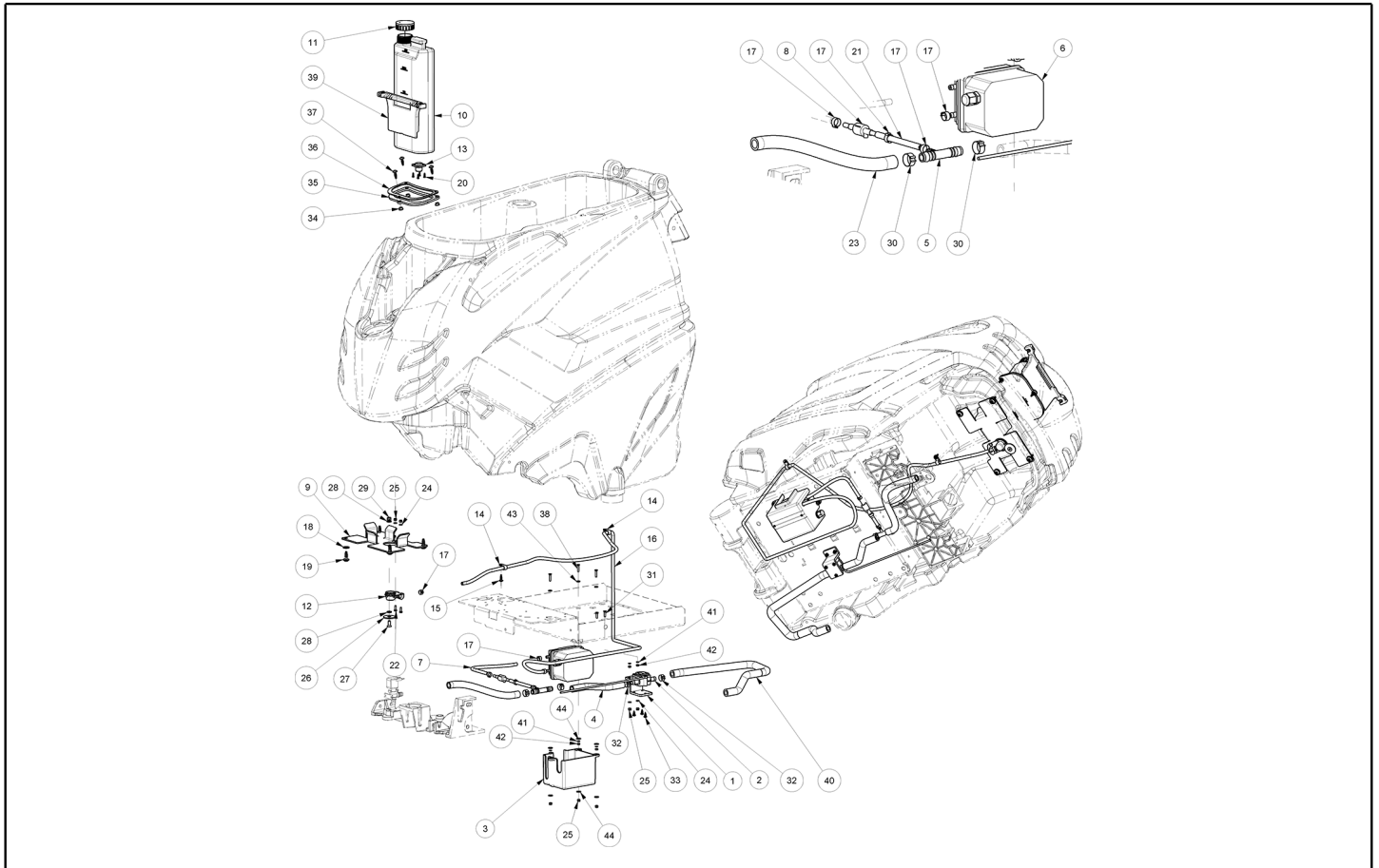


IPC

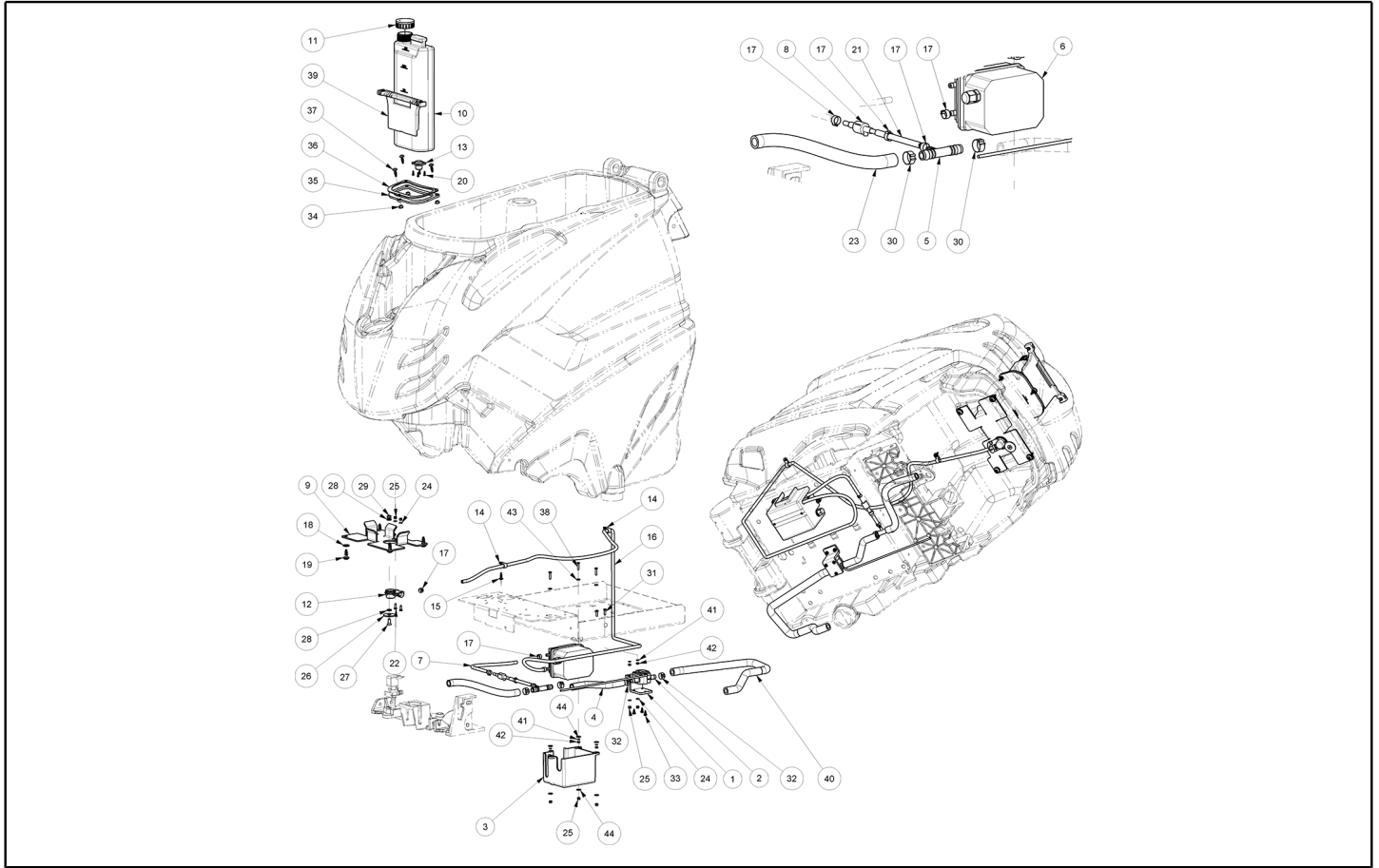
Spare parts list

Ref: KTRI04846

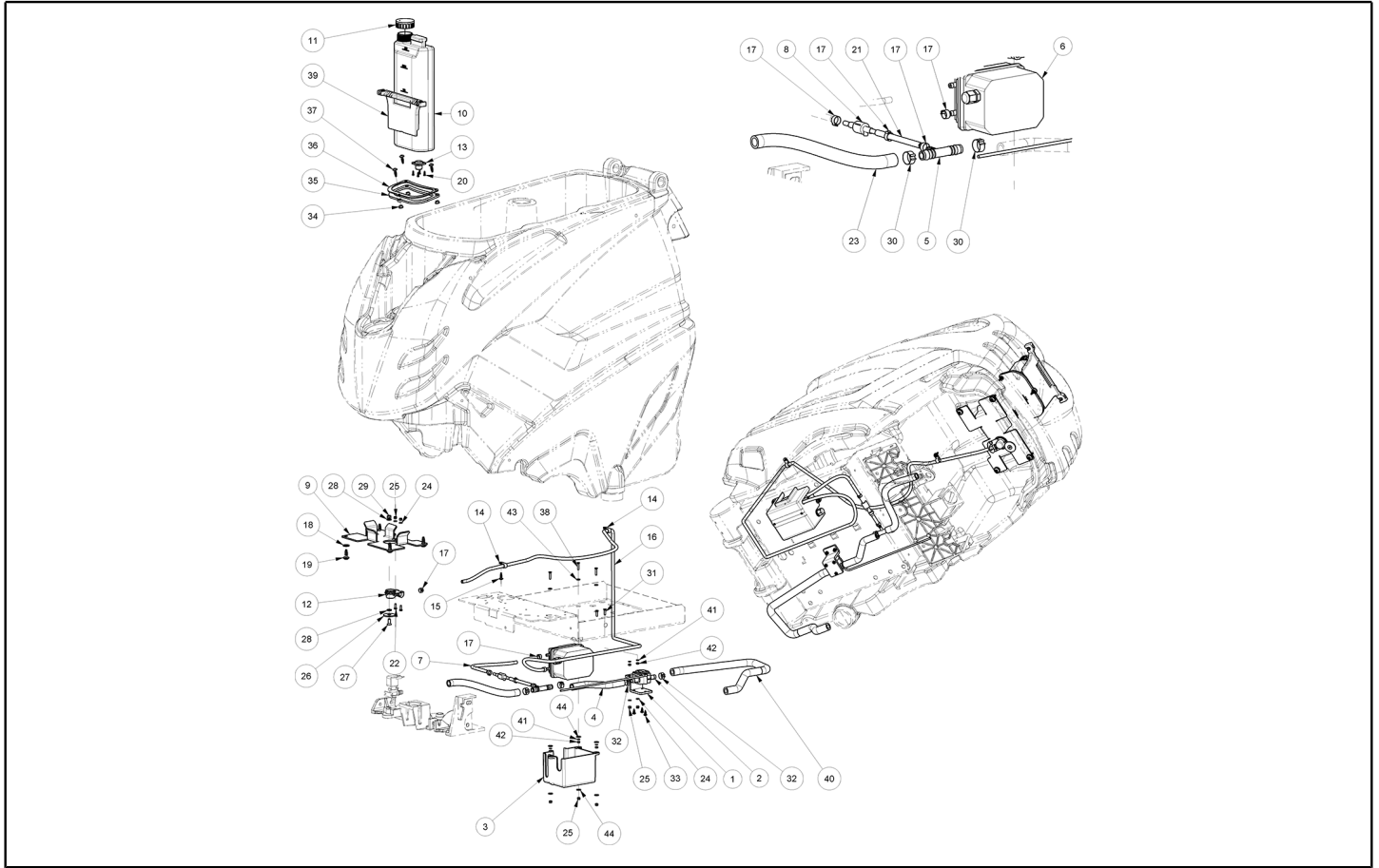
Model: KIT CHEM DOSE CT51-71



Ref. K	Part n.	Part n. 2	Description	Quantity	Validity		Price
					From	To	
0001	LAFN11076		BRACKET -	1,00		21/11/2018	--
0001	LAFN11278		BRACKET FLOWMETERS CT51/71	1,00	22/11/2018		--
0002	MEVR01957		FLOWMETERS -	1,00		21/11/2018	--
0002	MEVR02922		FLOWMETERS	1,00	22/11/2018		--
0003	MPVR06508		BOX -	1,00			--
0004	TBFX48011		HOSE FLEX D.12X3 ARMORV.PVC TR	0,18			--
0005	RCVR00745		CONNECTOR TRS 12-6-12	1,00			--
0006	PPBP00123		PUMP -	1,00			--
0007	TBBP00003		TUBE CRISTALLO 6X9	0,10			--
0008	RCGR00079		VALVE -	1,00			--
0009	LAFN11088		BRACKET -	1,00			--
0010	S MPVR10575		DETERGENT TANK -	1,00			--
0011	MPVR40756		TANK CAP KSM C/F.	1,00			--
0012	VVSF00031		VALVE -	1,00			--
0013	VVSF00031		VALVE -	1,00			--
0014	MPVR02933		DUCT LOCK D.9,5	2,00			--
0015	VTVT01072		SCREW STS KN1038 5x16 - T20 A2	1,00			--
0016	TBBP00003		TUBE CRISTALLO 6X9	1,60			--
0017	FSVR00087		CLAMP A COLLARE	5,00			--
0018	VTRS13947		WASHER D. 8 INX UNI 6592	4,00			--
0019	VTVT01430		SCREW STS KN1038 8x22 - T40 A2	4,00			--
0020	VTVT00820		SCREW TC+ M.3,5-10	4,00			--
0021	TBBP00003		TUBE CRISTALLO 6X9	0,75			--
0022	VTVT00817		SCREW TE M4x12 UNI 5739 INOX	2,00			--
0023	TBFX48011		HOSE FLEX D.12X3 ARMORV.PVC TR	0,23			--
0024	VTRS00515		WASHER D. 4 INX	4,00			--
0025	VTDD00055		NUT M 4 ATB A2	4,00			--
0026	VTRS16323		WASHER D. 8 X32 UNI 6593 INX	1,00			--
0027	VTVT00832		SCREW TSPEI M6X16 INOX	4,00			--
0028	VTRS00245		WASHER D.6 UNI 6592 INOX	5,00			--
0029	VTDD01694		NUT M6 INOX	4,00			--
0030	FSVR00261		CLAMP	2,00			--
0031	VTVT16939		SCREW M 4X 16 TSPEI UNI 5933	2,00			--
0032	FSVR00258		CLAMP -	2,00			--
0033	VTVT48694		SCREW TCB TC 5 X12 UNI 9707 TZ	3,00			--
0034	LAFN11180		SPACER CHEM DOSE CT51	3,00			--
0035	GUGO00586		GASKET CHEM DOSE	1,00			--
0036	LAFN11121		FLANGE	1,00			--
0037	VTVT01591		SCREW STS KN1038 6x20 - T25 A2	3,00			--
0038	VTVT00877		SCREW TSPEI M 4X20 INX UNI5933	3,00			--
0039	MPVR11678		SUPPORT CHEM DOSE COVER	1,00			--
0040	TBFX48011		HOSE FLEX D.12X3 ARMORV.PVC TR	0,60			--
0041	VTRS15913		WASHER D. 4 GROVER A2 UNI1751	5,00			--
0042	VTDD00147		NUT M 4 INX U.5588	5,00			--



Ref. K	Part n.	Part n. 2	Description	Quantity	Validity		Price
					From	To	
0043	VTRS00516		WASHER D. 5 INX	3,00			--
0044	VTRS00017		WASHER STEEL INOX 4X12	6,00			--



Ref. Part n.	Part n. 2	Description	Reference	Price
KTRI05275		KIT CHEM DOSE TANK CT51-71	0010	--