



IPC

Spare parts list

Ref: ASDO15050

Cust.ref: 185033

Model: VACUUM CLEANER GC1/35W&D TOPPER 515 SPOT

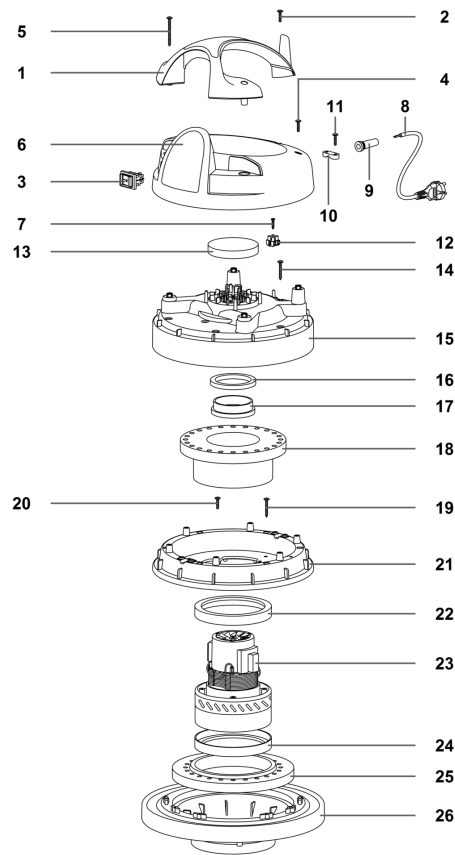
Cust.model:



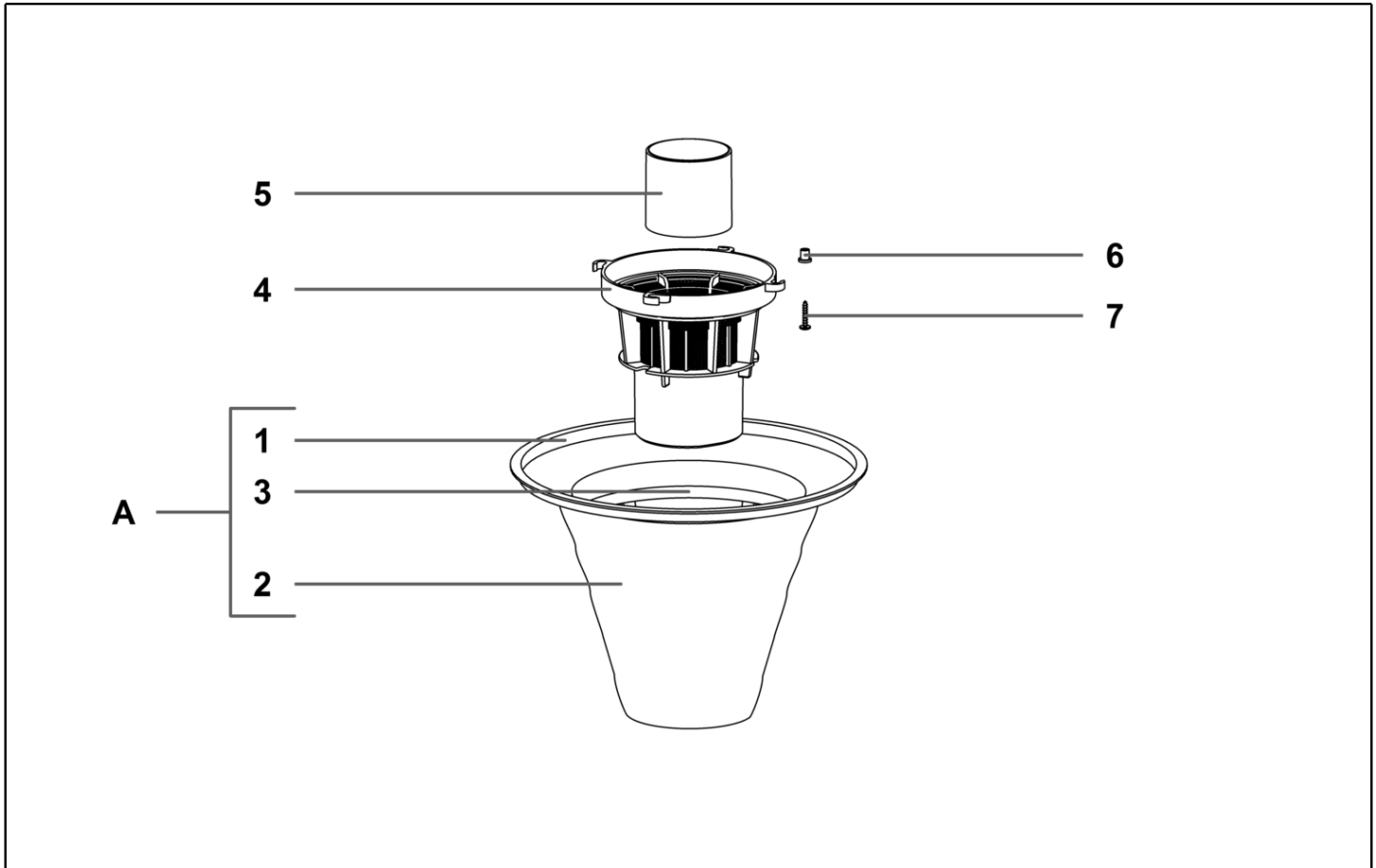
IPC Integrated Professional Cleaning

IPC Soteco

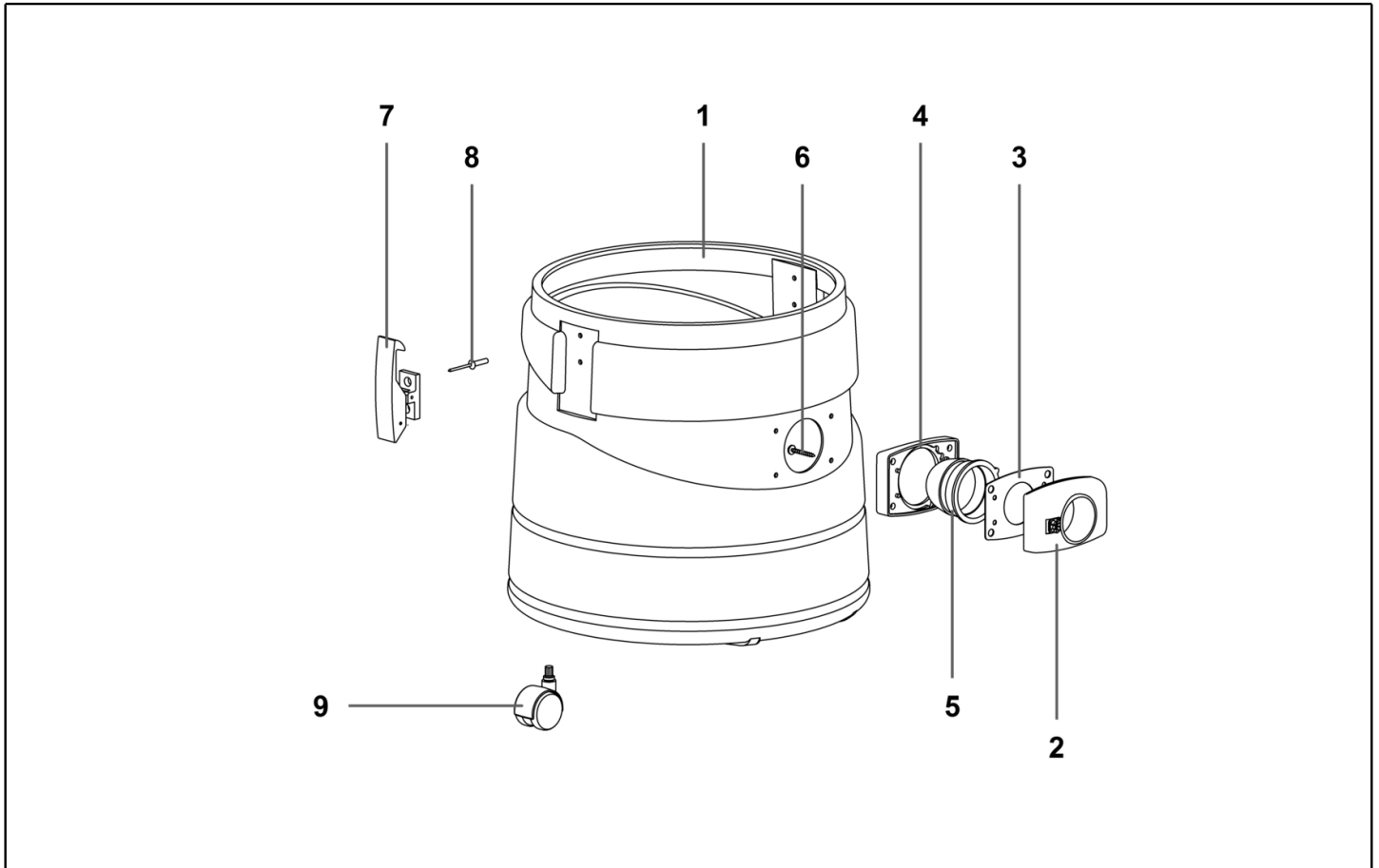
Ref. K	Part n.	Customer part n.	Description	Quantity	Validity		Price
					From	To	
0001	PMTA08356		HEAD TOPPER 215/515 2ST VEI NE	1,00			--
0002	KTRI04088	03247 SAN	FILTERING KIT 500 CONICAL	1,00			--
0003	PMFU02100	02670 NE/VEI	TANK 500/35W PL SPOT BL/VEI C.	1,00			--
0004	FTDP00462	00338-SC-TEX	MICROFIBER FILTER BAG 338-SC-TEX	1,00			--



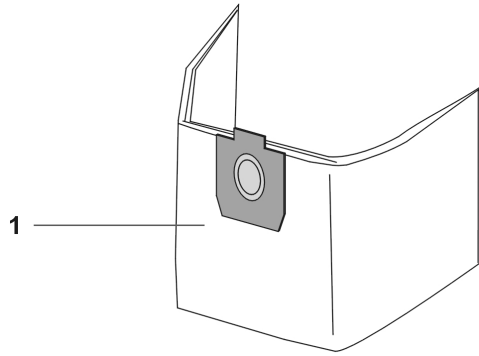
Ref. K	Part n.	Customer part n.	Description	Quantity	Validity		Price
					From	To	
*	F5VR00127	01106	CLAMP	1,00			--
*	MECB01828	07632/PI TP	WIRING 40CM MOTOR POKE-IN-TP	1,00			--
0001	MPVR08275	020725VEI	HANDLE TOPPER 500 GREEN IPC	1,00			--
0002	VTVT71961	01006	SCREW PFU TMT PHL 5X20 BLACK	1,00			--
0003	MECI72195	00326	ANTISPLASH SWITCH	1,00			--
0004	VTVT71961	01006	SCREW PFU TMT PHL 5X20 BLACK	2,00			--
0005	VTVT40007	03273	SCREW PAT TMT PHL 5X55 BLACK	2,00			--
0006	MPVR08293	020726NE	COVER TOPPER 500 NE	1,00			--
0007	VTVT88715	01004	SCREW PAT TCB 4,5X20 ZN BLACK	1,00			--
0008	MECB28672	00117	ELECTRIC CORD 2X1 MT.8,5	1,00			--
0009	MEVR28673	00138	FAIRLEAD	1,00			--
0010	MPVR28690	00139	CABLE CLAMP	1,00			--
0011	VTVT71961	01006	SCREW PFU TMT PHL 5X20 BLACK	1,00			--
0012	MECB01161	03464	TERMINAL BOARD 300-500 2P RAD	1,00			--
0013	FTDP38064	03937	FILTER MTP/65 H=15 D.95	1,00			--
0014	VTVT71971	01050	SCREW PAT TMT PHL 5X35 BLACK	6,00			--
0015	MPVR09134	02738-1VEI	COVERING 99 S/HOLES GREEN-IPC	1,00			--
0016	MPVR38371	03969	WASHER H8 D85X65	1,00			--
0017	MPVR86282	00310	RING MOTORE H=7 (15) PLAST.	1,00			--
0018	FTDP38066	03900	FILTER PHONO H=75	1,00			--
0019	VTVT71971	01050	SCREW PAT TMT PHL 5X35 BLACK	6,00			--
0020	VTVT71961	01006	SCREW PFU TMT PHL 5X20 BLACK	4,00			--
0021	MPVR08419	021261NE	MOTOR SUPPORT 500 BLACK	1,00			--
0022	GUGO28683	03901	"L" GASKET W/O HOLES H=5,5	1,00			--
0023	MOMO28716	03891/E	MOT.BD302 1000W 220-240V 50-60HZ	1,00			--
0024	GUGO28683	03901	"L" GASKET W/O HOLES H=5,5	1,00			--
0025	FTDP38067	03866	WASHER MTP 65MM 18D 230X145	1,00			--
0026	PMBA00472	01189 GNE	BASE 500 W/GASKET BLACK	1,00			--



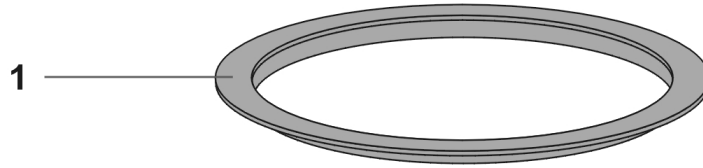
Ref. K	Part n.	Customer part n.	Description	Quantity	Validity		Price
					From	To	
0001	MPVR36522	00507	FILTER RING 500	1,00			--
0002	FTDP00534	02860 SAN	FILTER POLY AN3-500 CON REG H230	1,00			--
0003	MPVR37038	02859	CONICAL BASKET 300	1,00			--
0004	MPVR40521	021243NE	NET ANTIFOAM BODY HIGH	1,00			--
0005	RCGR40008	02676-1 G	HIGH FLOAT 99 W/GASKET 37 SHA	1,00			--
0006	MPVR35796	03706	PLASTIC SLEEVE D.8	4,00			--
0007	VTVT36751	03724	SCREW PAT TMT PHL 5X25	4,00			--
A	KTRIO2943	03241 SAN	KIT RING+FILT+BASK. 500 C	1,00			--



Ref. K	Part n.	Customer part n.	Description	Quantity	Validity		Price
					From	To	
0001	PMVR05144	02669	TANK 115 PLAST/SMALL	1,00			--
0002	MPVR09047	02652 ANEVE-IPC	PIPE UNION R155 BLACK C/PUL.GR-IPC	1,00			--
0003	GUGO28701	02846	GASKET D.38	1,00			--
0004	GUGO28736	02586NE	GASKET R 205 BLACK	1,00			--
0005	MPVR28696	02593	DEFLECTOR 99	1,00			--
0006	VTVT71971	01050	SCREW PAT TMT PHL 5X35 BLACK	4,00			--
0007	CHVR28735	01847/SNE	COMPLETE PLASTIC HOOK BLACK	2,00			--
0008	VTVR00340	01300	RIVET 5X24,5	4,00			--
0009	RTRT00471	021373	WHEEL D.42 W/PIN KNUR.8X11	6,00			--



Ref. K	Part n.	Customer part n.	Description	Quantity	Validity		Price
					From	To	
0001	FTDP00462	00338-SC-TEX	MICROFIBER FILTER BAG 338-SC-TEX	1,00			--
0001	FTDP00462	00338-SC-TEX	MICROFIBER FILTER BAG 338-SC-TEX	1,00			--



Ref. K	Part n.	Customer part n.	Description	Quantity	Validity		Price
					From	To	
0001	MPVR36522	00507	FILTER RING 500	1,00			--
0001	MPVR36522	00507	FILTER RING 500	1,00			--