

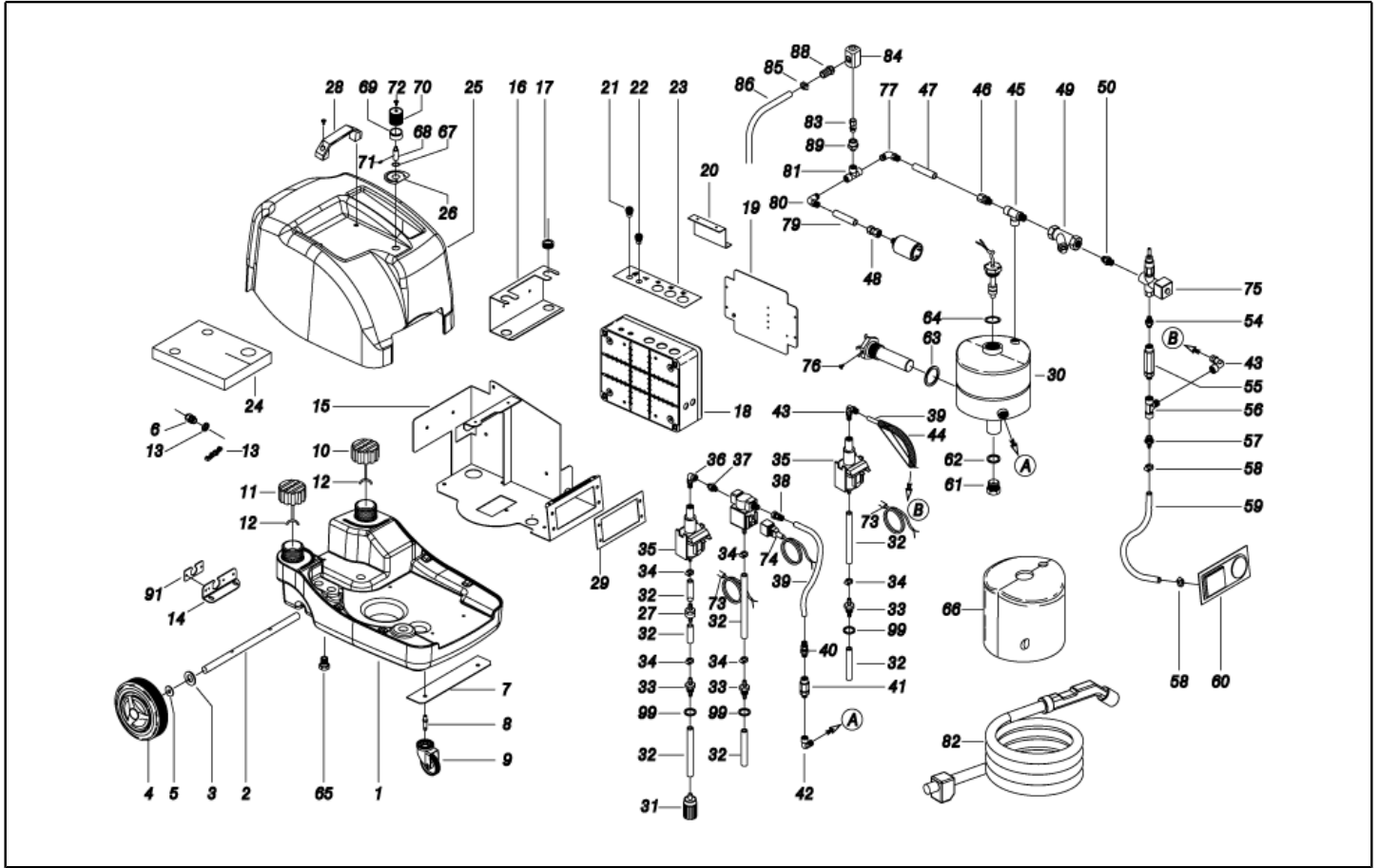


IPC

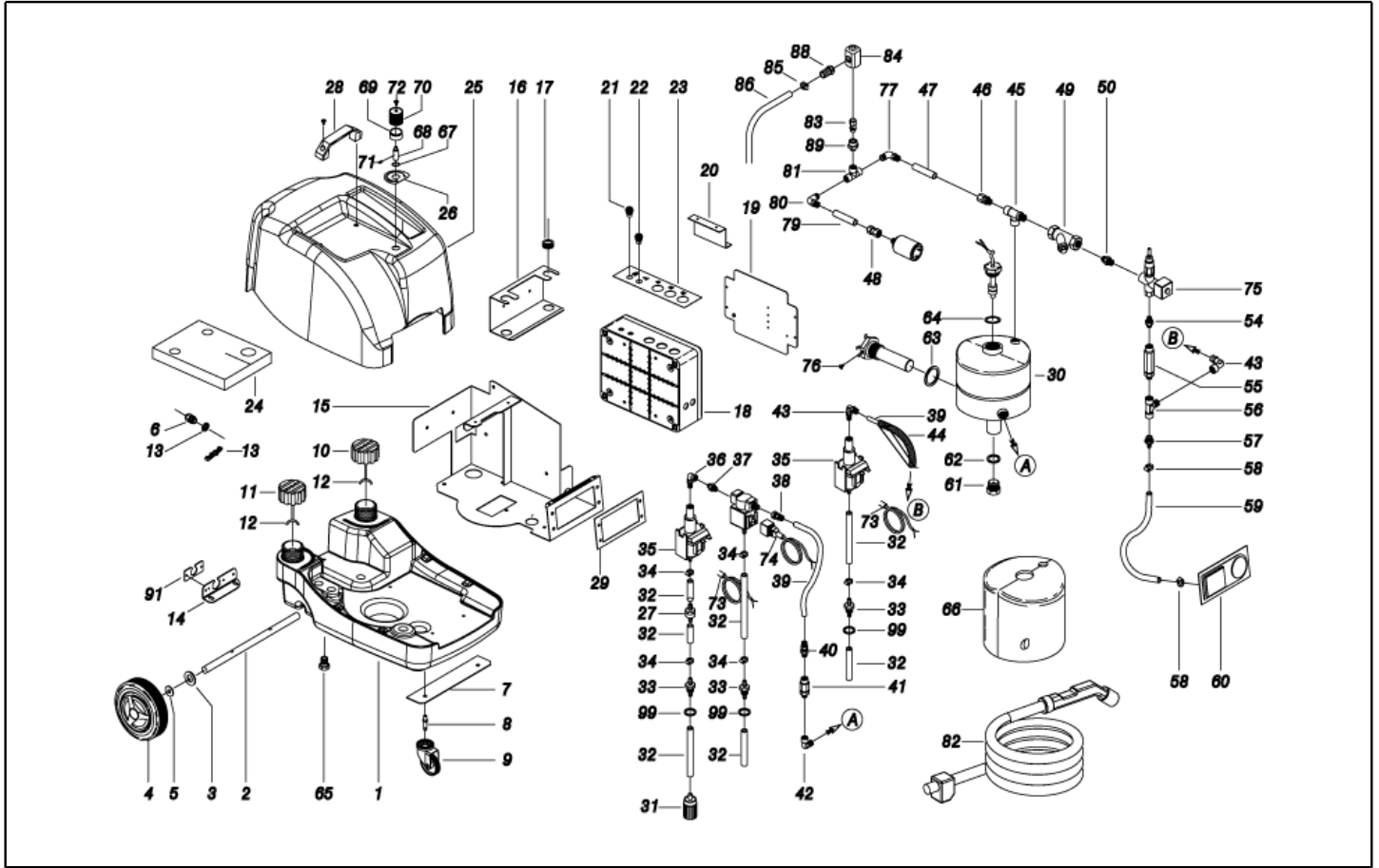
Spare parts list

Ref: GNVA40018

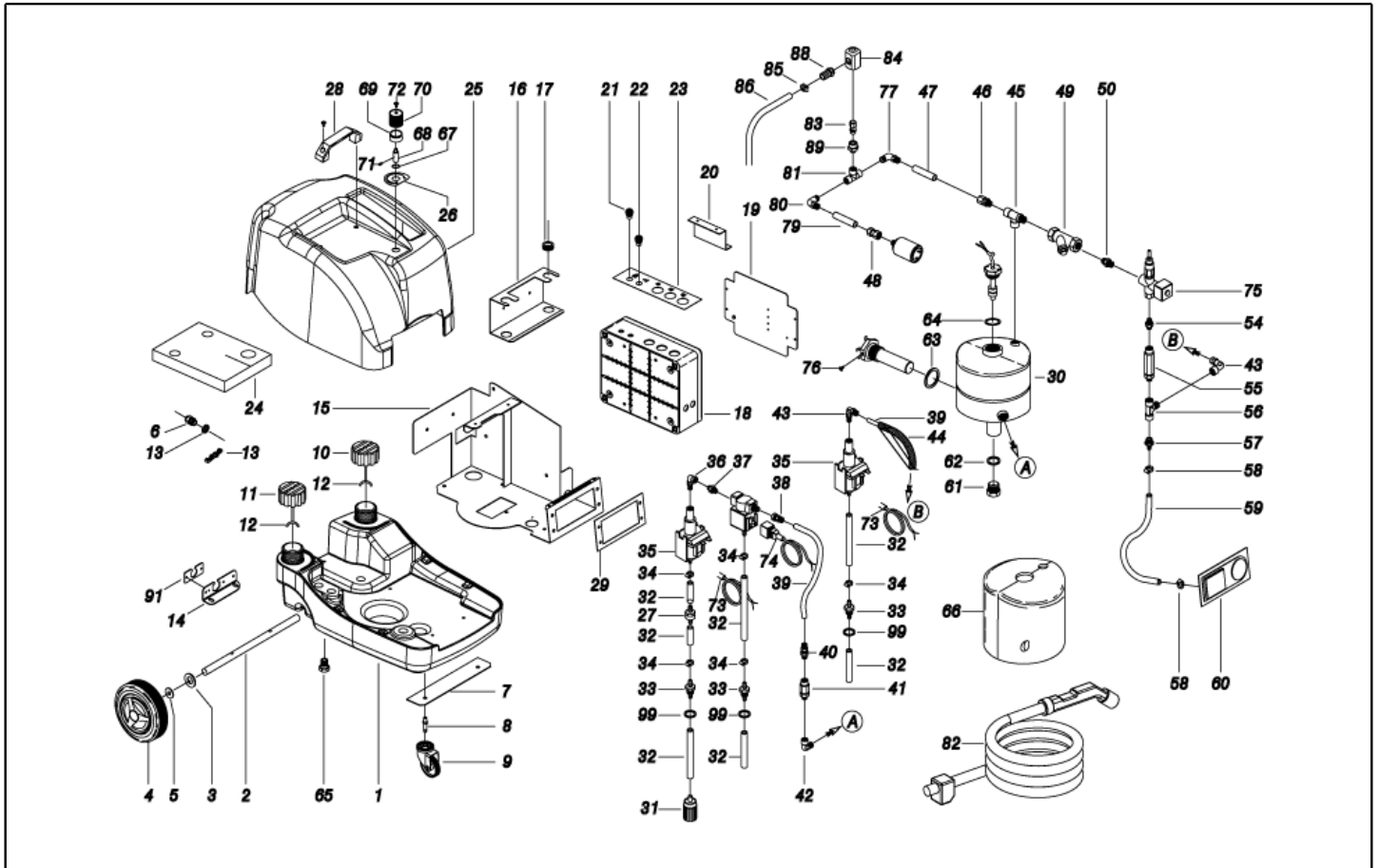
Model: GENERATOR SG-40 5008 M 230V IPC



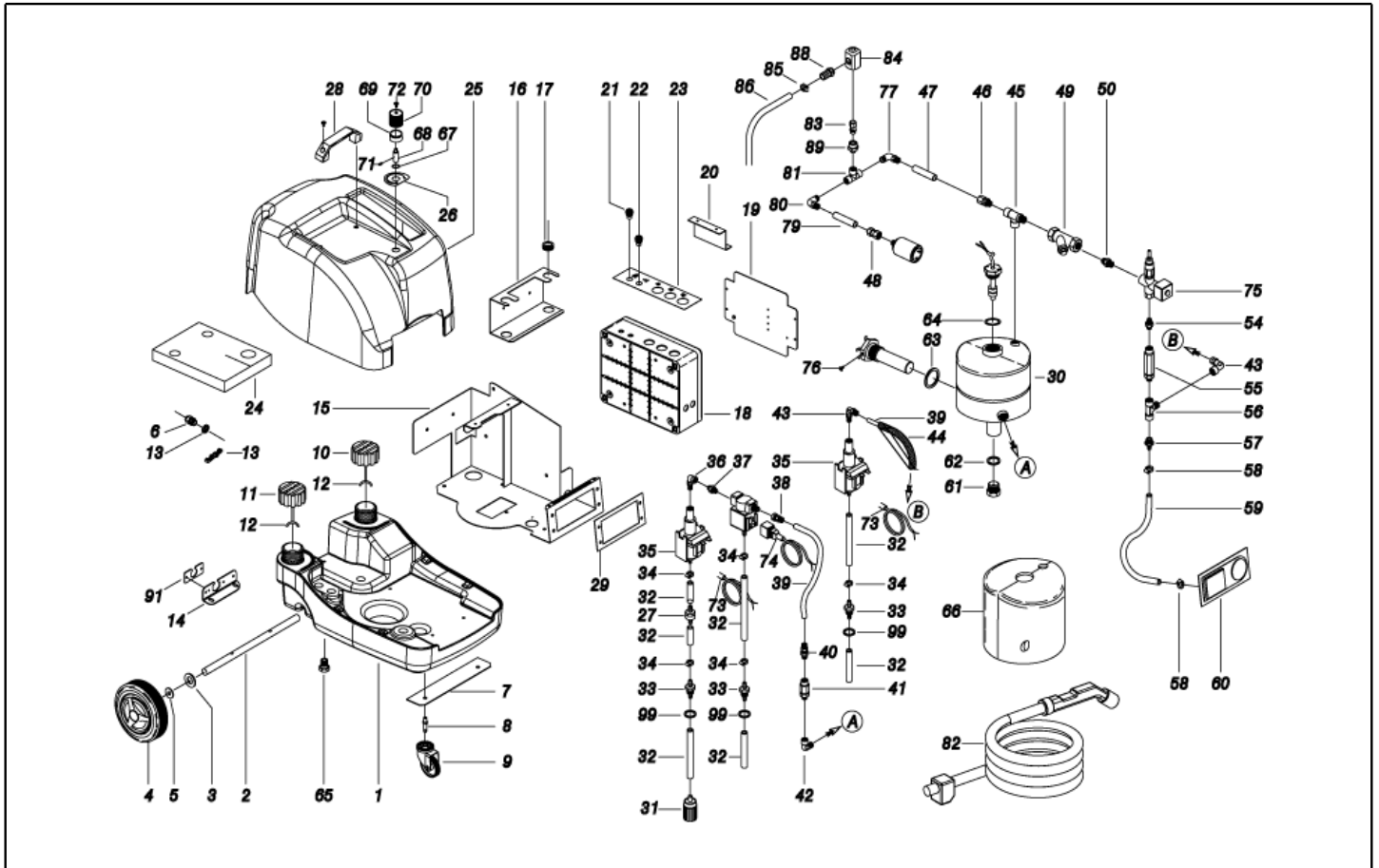
Ref. K	Part n.	Customer part n.	Description	Quantity	Validity		Price
					From	To	
0001	MPVR40077		WATER TANK STM-SV.2000 2V.PEHD	1,00	17/10/2007		--
0001	MPVR89181		WATER TANK STM-SV.2000 PEHD	1,00		16/10/2007	--
0002	LAFN40069		WHEELS AXLE STM-SV.2000 L=340 D.16 IX	1,00			--
0003	VTRS00508	00000508	WASHER D.16 UNI 6592	2,00			--
0004	RTRT89183		WHEEL D.150-D.16X 40 SR A.TRC.	2,00			--
0005	VTRS12320	00012320	WASHER D.16	2,00			--
0006	MEVR61879	00061879	FAIR-LEAD PG 13.5 SP.	1,00			--
0007	LAFN89319		REINFORCEMENT ST-SV.20 INX	1,00			--
0008	LAFN89316		WHEEL PIN GFR M 8-D. 8 L.10 ZN.C	2,00			--
0009	RTRT42273	00042273	TURNING WHEEL D. 50 D.8 NYL	2,00			--
0010	MPVR40573	00040573	TANK CAP MHDS-SK	2,00			--
0012	MPVR88616		CORD NYL L=150 PR.SHK BK.	2,00			--
0013	MEVR87376	00087376	LOCKNUT PG 13	1,00			--
0014	LAFN40068		BRACKET STM-SV.20 IX.	1,00			--
0015	LAFN40066		FRAME STM-SV.2000 INX.	1,00			--
0016	LAFN40067		SUPPORT STM-SV.2000 IX.	1,00			--
0017	MEVR89167		FAIR-LEAD D.32 C/FORO D.15.5 OVA	4,00			--
0018	MEVR89239		BOX GWS 240X190X90 SV.2000	1,00			--
0019	LAFN89241		PLATE SV.2000 ZC.	1,00			--
0020	LAFN89240		JUNCTION BOARD STEAM-SV.2000 ZC	1,00			--
0021	MELF40938	00040938	LAMP SOCKET D.12 GREE. SLX51	1,00			--
0022	MELF48381	00048381	LAMP SOCKET D.12 RED. SLX51	1,00			--
0023	ETET40699		LABEL STM-SG.40 PLC	1,00			--
0024	ITTE89371		PROTECTION ST-SV.20 1PZ.	1,00			--
0025	MPVR40422		GREEN COVER STM-SV.2000 ABS	1,00			--
0027	RCVR40000		DESCALING D.24X20 PG. 8-5 OT.	1,00			--
0028	MPVR89179		HANDLE RHRG C/F.PS BK.	1,00			--
0029	LAFN40058		SUPPORT WRK SV.4000 INX	1,00			--
0030	LAFN89173		BOILER STEAM-SV.20 INX	1,00	03/09/2014		--
0031	FTDT04648	00004648	FILTER PG. D.6 PLS	2,00			--
0032	TBBP93804		L.P. HOSE D. 6- 9	0,57	01/05/2012		--
0032	TBCO06945	00006945	L.P. HOSE D. 6-12 10BAR C.PRESS	0,10	01/04/2016		--
0032	TBCO15363	00015363	L.P. HOSE 6.4-12 MAN. 170° TR.BLU	0,10	28/01/2014	31/03/2016	--
0032	TBCO06945	00006945	L.P. HOSE D. 6-12 10BAR C.PRESS	0,23	01/04/2016		--
0032	TBCO15363	00015363	L.P. HOSE 6.4-12 MAN. 170° TR.BLU	0,23	28/01/2014	31/03/2016	--
0033	RCDS89184		HOSE FITTING 1/2 M D. 4-7.5 X2 OT.	3,00			--
0034	FSVR11957	00011957	CLAMP D. 9.5-12 CLIC	2,00	18/02/2011		--
0034	FSVR11957	00011957	CLAMP D. 9.5-12 CLIC	5,00		31/12/2007	--
0034	FSVR00427	00000427	CLAMP D. 12 CLIC 66-110	2,00	01/04/2016		--
0034	FSVR40008		CLAMP D. 13.5 CLIC	1,00	14/03/2014	31/03/2016	--
0034	FSVR40009		CLAMP D. 14 CLIC	1,00	14/03/2014	31/03/2016	--
0034	FSVR00427	00000427	CLAMP D. 12 CLIC 66-110	1,00	01/04/2016		--
0034	FSVR40008		CLAMP D. 13.5 CLIC	1,00	14/03/2014	31/03/2016	--
0035	S PPEL40002		PUMP BY-P.230V E 505/OT 1/8" F	2,00	01/09/2008		--



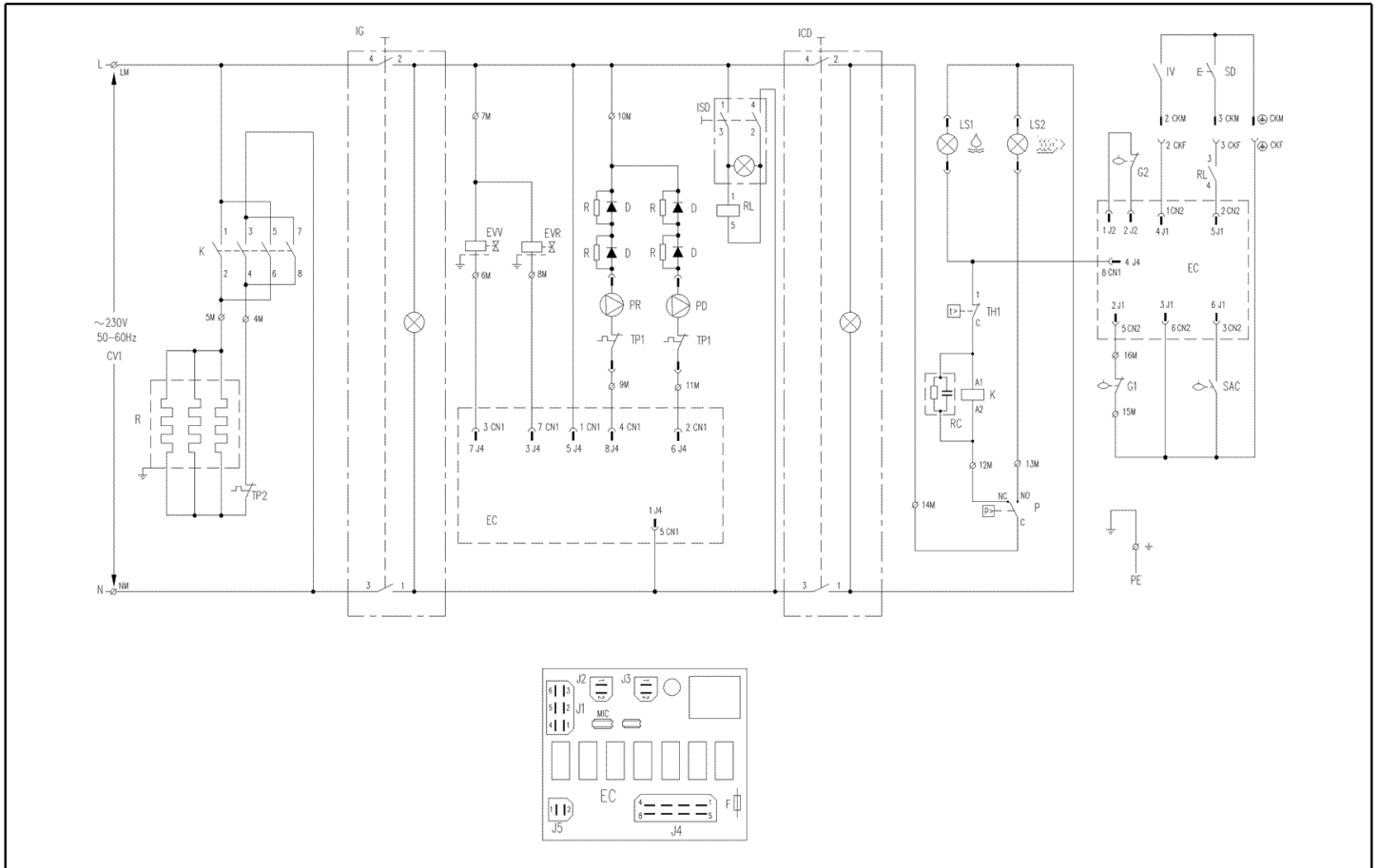
Ref. K	Part n.	Customer part n.	Description	Quantity	Validity		Price
					From	To	
0035	PEL41926	00041926	PUMP BY-P.230V E 505 P-1/8"F	2,00		31/08/2008	--
0036	RCVR34780	00034780	ELBOW 1/8" M/F A10	1,00			--
0037	RCVR04871	00004871	NIPPLE 1/8 - 1/8 CN	1,00			--
0038	RCIN26718	00026718	CONNECTOR DTT 1/8"F C2 D. 6/ 4 NIK	1,00			--
0039	TBBP43611	00043611	L.P. HOSE D. 4- 6 TEFLON	0,48	03/09/2014		--
0040	RCVR14043	00014043	CONNECTOR DTT 1/8"M C1 D. 6/ 4 NIK	1,00	03/09/2014		--
0041	VVSF43855	00043855	VALVE 1/8M-F OT. VIT. 250°C PRT	1,00	03/09/2014		--
0042	RCVR89171		ELBOW 1/4-1/8 M/F NIK	1,00	03/09/2014		--
0043	RCVR14044	00014044	CONNECTOR L 1/8"M C5 D. 6/ 4 NIK	1,00			--
0044	TBBP07631	00007631	L.P. HOSE D.10-14	0,20	03/09/2014		--
0045	RCVR89170		CONNECTOR T 1/4 F/M/M A18	1,00	03/09/2014		--
0046	RCVR17280	00017280	BI-CONE CONNEC. DTT 1/4"M B1 D. 6/ 8 NIC	1,00	03/09/2014		--
0047	LAFN40660		TUBE D.8 SV.29 L.80 RM.	1,00	03/09/2014		--
0048	RCVR46851	00046851	BI-CONE CONNEC. DTT 1/8"F B2 D. 4/ 6 NIC	1,00	03/09/2014		--
0049	FTAC88309		FILTER 1/4 F/F 2.V +F.SC.	1,00	15/01/2015		--
0049	FTAC88290		FILTER 1/4 F/F 2.VERS.	1,00	15/01/2015		--
0050	RCVR03535	00003535	NIPPLE 1/4 - 1/8 CN	1,00		13/06/2007	--
0050	RCVR03535	00003535	NIPPLE 1/4 - 1/8 CN	1,00	03/09/2014		--
0050	RCVR03535	00003535	NIPPLE 1/4 - 1/8 CN	1,00		02/09/2014	--
0054	RCDS40017		NIPPLE 1/4 - 1/4 CL. OT. D.2	1,00	03/09/2014		--
0054	RCVR04871	00004871	NIPPLE 1/8 - 1/8 CN	1,00		13/06/2007	--
0055	VVSF43855	00043855	VALVE 1/8M-F OT. VIT. 250°C PRT	1,00	03/09/2014		--
0056	RCVR29339	00029339	CONNECTOR T 1/8 F/F A11 NIK	1,00	03/09/2014		--
0057	RCDS21900	00021900	HOSE FITTING 1/8 M D. 3- 7	1,00	03/09/2014	31/03/2016	--
0057	RCVR40180		HOSE FITTING 1/8 M D. 6 NIK	1,00	01/04/2016		--
0058	FVSR00427	00000427	CLAMP D. 12 CLIC 66-110	1,00	28/11/2009		--
0059	TBBP40099		TUBE EPDM-AT 5-11 200°C 10BAR	0,15	01/04/2016		--
0059	TBCO15363	00015363	L.P. HOSE 6.4-12 MAN. 170° TR.BLU	0,15	03/09/2014	31/03/2016	--
0060	MPVR49439	00049439	SOCKET STM.SV. CPL. WK	1,00			--
0061	RCDS46456	00046456	CAP 1/2 M STM/JPN	1,00			--
0062	GUGO46462	00046462	O-RING D. 18.72 X 2.62 SIL.70SH	1,00	15/01/2015		--
0063	GUGO40006		O-RING D. 36 X 3.8 SIL.80SH	1,00	08/04/2008	31/08/2008	--
0063	GUGO88617		O-RING D. 36.10 X 3.53 HNB.70SH	1,00		07/04/2008	--
0063	GUVR40019		GASKET D.40 X54 X2 PTFE	1,00	03/09/2014		--
0064	GUGO47490	00047490	O-RING D. 28 X 5 HNB.70SH	1,00	03/09/2014		--
0065	RCVR89230		CAP G 1/8 M C/O-RING.	2,00			--
0065	GUVR40599	00040599	GASKET D. 1/2" -1"	3,00	20/11/2013		--
0066	ITTE89174		PROTECTION STM.SV20 2PZ.	1,00	03/09/2014		--
0067	MEVR89694		FAIR-LEAD D.16-21 150°C	1,00			--
0068	MPVR89695		PIN D. 12X25-30 SV20 PA66V	1,00			--
0069	MPVR45213	00045213	THICKNESS FC10	1,00			--
0070	MPVR45212	00045212	KNOB FC10	1,00			--
0072	VTVT27366	00027366	SCREW M 4X20 TCB T-CROCE INOX	1,00			--
0073	MECB89270		CABLE N°375 SG 2X1 L= 70	2,00			--



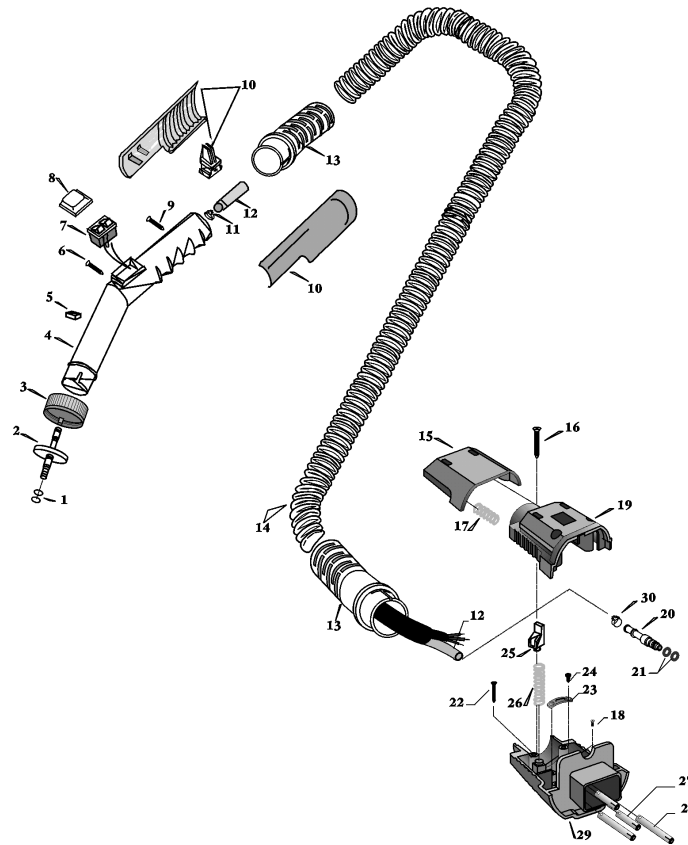
Ref. K	Part n.	Customer part n.	Description	Quantity	Validity		Price
					From	To	
0074	MECB89274		CABLE N°378 SG 3X0,75 L= 75 CN.	1,00			--
0075	MEEV40002		SOLENOID VALVE OLB 2V.1/4F 90°-R.250°+M3	1,00	03/09/2014		--
0075	MEEV89172		SOLENOID VALVE OLB 2V.1/8F 90°	1,00		29/05/2007	--
0077	RCVR40136		BI-CONE CONNec. L 1/4" M CN D.6/ 8 NIK	1,00	03/09/2014		--
0079	LAFN40661		TUBE D.6 SV.29 L.170 RM.	1,00	03/09/2014		--
0080	RCVR46460	00046460	BI-CONE CONNec. L 1/4" M B5 D.4/ 6 NIK	1,00	03/09/2014		--
0081	RCVR00668	00000668	TEE UNION 1/4 F/F/F	1,00	03/09/2014		--
0083	VVSC40013		VALVE ITAL G 1/4M 7B. PED/IV VT	1,00	03/09/2014		--
0084	RCDS40199		CAP SV-29 OT.	1,00	03/09/2014		--
0085	FSVR39917	00039917	CLAMP D. 23.5 CLIC	1,00	15/01/2015		--
0086	TBBP40080		L.P. HOSE D.12.7-20 20 B. 100C.	0,53	03/09/2014		--
0088	RCDS40200		HOSE FITTING 3/8 M D.17 OT. SV-29	1,00	03/09/2014		--
0089	RCDS40189		BUSHING SG-50 OT.	1,00	15/01/2015		--
0091	LAFN40833		BRACKET STM-SV.29/2 IX.	1,00	02/11/2015		--
9999	AZMC89563		DISASS.SPANNER 13 L=315 SV.20	1,00			--
9999	IPIP45815	00045815	GRIP WORK 4P + 5 MT	1,00			--
9999	KTRI89902		KIT P 33- 7 O-RING SV2-30	1,00			--
9999	KTRI40276		KIT V-14 GR.	1,00	18/09/2014		--



Ref. Part n.	Cust. part n.	Description	Reference	Price
0035 KTRI40088		KIT PX 5- 41 PUMP E505/OT.+UP62	TP1 0035	--



Ref. K	Part n.	Customer part n.	Description	Quantity	Validity		Price
					From	To	
G	MECI89166		SWITCH REED N.A. H85	2,00	17/10/2007		--
K	METT32202	00032202	CONTACTOR MC1 A 400A T6 230V 50/60	1,00			--
P	MEPF43605	00043605	PRESSURE SWITCH 1/8M PN-5611/VAP 5B. CP	1,00	03/09/2014		--
R	MEVR88893		RESISTANCE 55 OHM 2.8KW T 23/400V 2V	1,00	03/09/2014		--
EC	MECE40002		PCB STEAM.JT. MICVAP-2+DT.IPC	1,00			--
G2	MECI89166		SWITCH REED N.A. H85	2,00	17/10/2007		--
G2	MECI89166		SWITCH REED N.A. H85	1,00		16/10/2007	--
IG	MECI89267		SWITCH SP60 16A 250V LM.VRD CP	1,00			--
RC	MECE43563	00043563	RESISTANCE RC 0.47MF X2 100OHM 250V	1,00			--
RL	MERL40000		SWITCH RELAY OMR G2R-1-T 240V AC	1,00			--
TH	METK40992	00040992	THERMOSTAT 245°C TR2 15(2.5)A 250V	1,00			--
CV1	MECB87998	00087998	CABLE H07 RNF 3X2.5 L=10.00 SP.	1,00			--
EVR	MEEV43661	00043661	ELECTROVALVE OLB 3V.1/8M/F+PG.7 D.2.8	1,00			--
ICD	MECI89266		SWITCH SP60 16A 250V LM.RSS CP	1,00			--
ISD	MECI89268		SWITCH SP60 16A 250V ORG CP	1,00			--
LS1	MELF46453	00046453	LAMP FLUO.240V FAST	1,00			--
LS2	MELF40939	00040939	LAMP NEON 230V T120° SLX21.3	1,00			--
SAC	MECI43618	00043618	SWITCH REED G1"1M 180°C L= 100	1,00	03/09/2014		--
TP1	S METK43603	00043603	KLIKSON UP62 110°C	2,00			--
TP2	METK43620	00043620	THERMOSTAT 250°C RIP. NC CER.16A 250	1,00	03/09/2014		--



Ref. K	Part n.	Customer part n.	Description	Quantity	Validity		Price
					From	To	
0001	GUGO03496	00003496	O-RING D. 9.25 X 1.78 NBR 70SH	2,00			--
0002	RCIN88801		MALE COUPLING STEAM OT. V.	1,00			--
0003	MPVR88802		RING NUT STEAM WK.	1,00			--
0004	MPVR88803		GRIP STEAM WK.	1,00			--
0005	MPVR88804		CLAMP STEAM. LG.	1,00			--
0006	VTVT00421		SCREW TSPIC 2,9x22 UNI6955 inox	1,00			--
0007	MECI49153	00049153	SWITCH MLV VT.+RD.0-1 230V	1,00			--
0008	MEVR88805		MAMBRANE MLV	1,00			--
0009	VTVT88806		SCREW ATF TSP-TC 2,9X9,5 U.6955	1,00			--
0010	MPVR88807		SHELL WK ST. 3PZ.	1,00			--
0011	FSVR00427	00000427	CLAMP D. 12 CLIC 66-110	1,00			--
0012	TBCO15363	00015363	L.P. HOSE 6.4-12 MAN. 170° TR.BLU	5,30			--
0013	MPVR88011	00088011	SLEEVE N.STY. FLX	2,00			--
0014	TBFX88816		SHEATH FLEX D.16,5	5,30			--
0015	MPVR88012	00088012	COVER N.STY.	1,00			--
0016	VTVT47138	00047138	SCREW TSP-TC 3,9X32 ZC. UNI6955	1,00			--
0017	MLML46876	00046876	SPRING WK IP	1,00			--
0018	VTVT88015	00088015	SCREW M 2,5X 4 TC-TC ZC. U.6107	6,00			--
0019	MPVR88013	00088013	COWLING VAP.SP.	1,00			--
0020	RCDS88014	00088014	JOINT C/PG. D. 5 OT	1,00			--
0021	GUGO12489	00012489	O-RING D. 6.07 X 1.78 NBR 70SH	2,00			--
0022	VTVT00380		SCREW TSPIC 2,9x25 UNI 6955	4,00			--
0023	MPVR88016	00088016	CABLE FASTNER VAP.	1,00			--
0024	VTVT00522	00000522	SCREW TCB-TC 2.9X 9.5 UNI6954	2,00			--
0025	MPVR88017	00088017	BUTTON VAP. WK	1,00			--
0026	MLML88018	00088018	SPRING VAP. WK	1,00			--
0027	MEVR46886	00046886	CONTACT PLG. D.4X28.5 OT.	5,00			--
0028	MEVR46887	00046887	CONTACT PLG. D.4X36 OT.	1,00			--
0029	MPVR88019	00088019	COWLING VAP.IF.	1,00			--
0030	FSVR11957	00011957	CLAMP D. 9.5-12 CLIC	1,00			--