

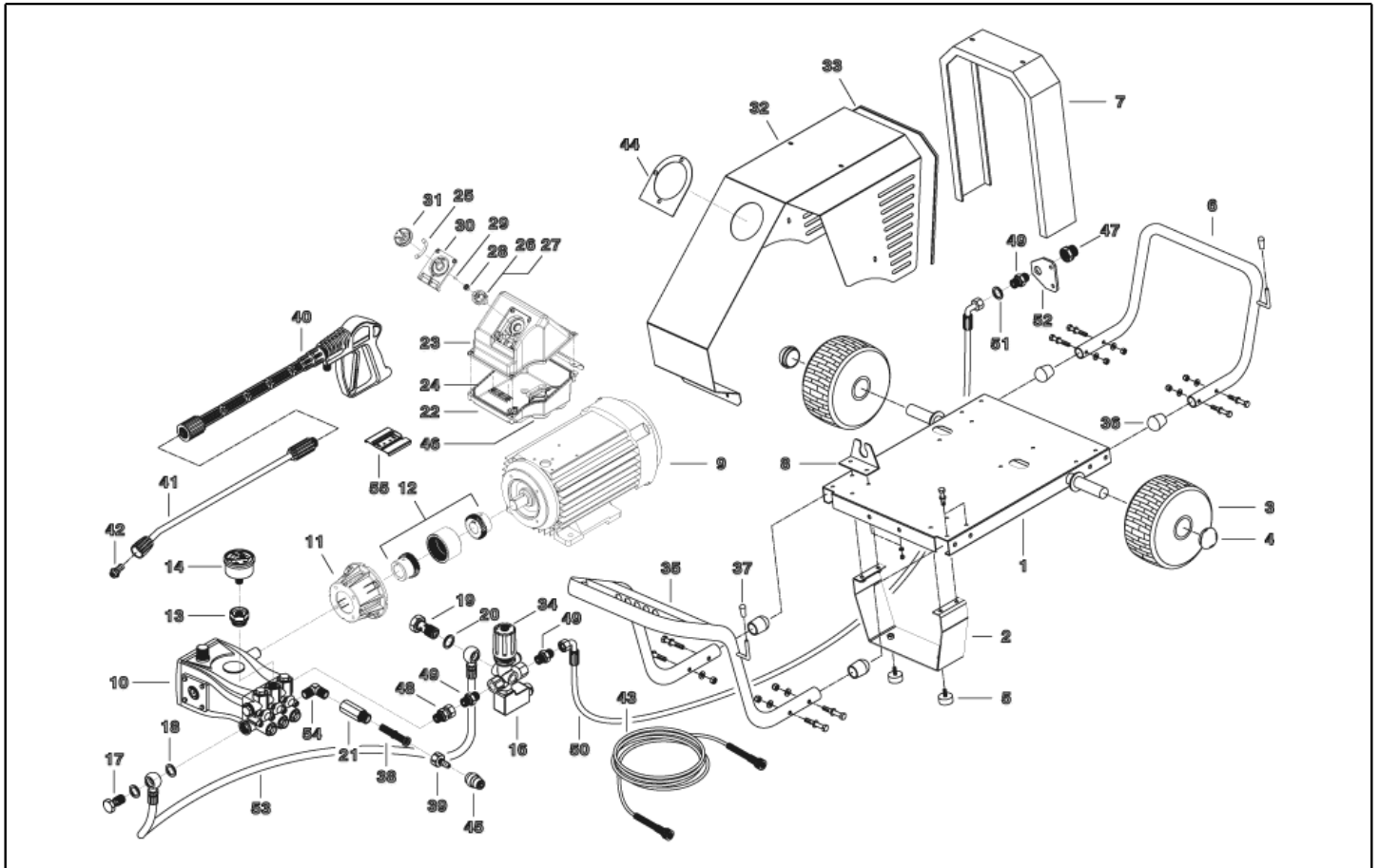


**IPC**

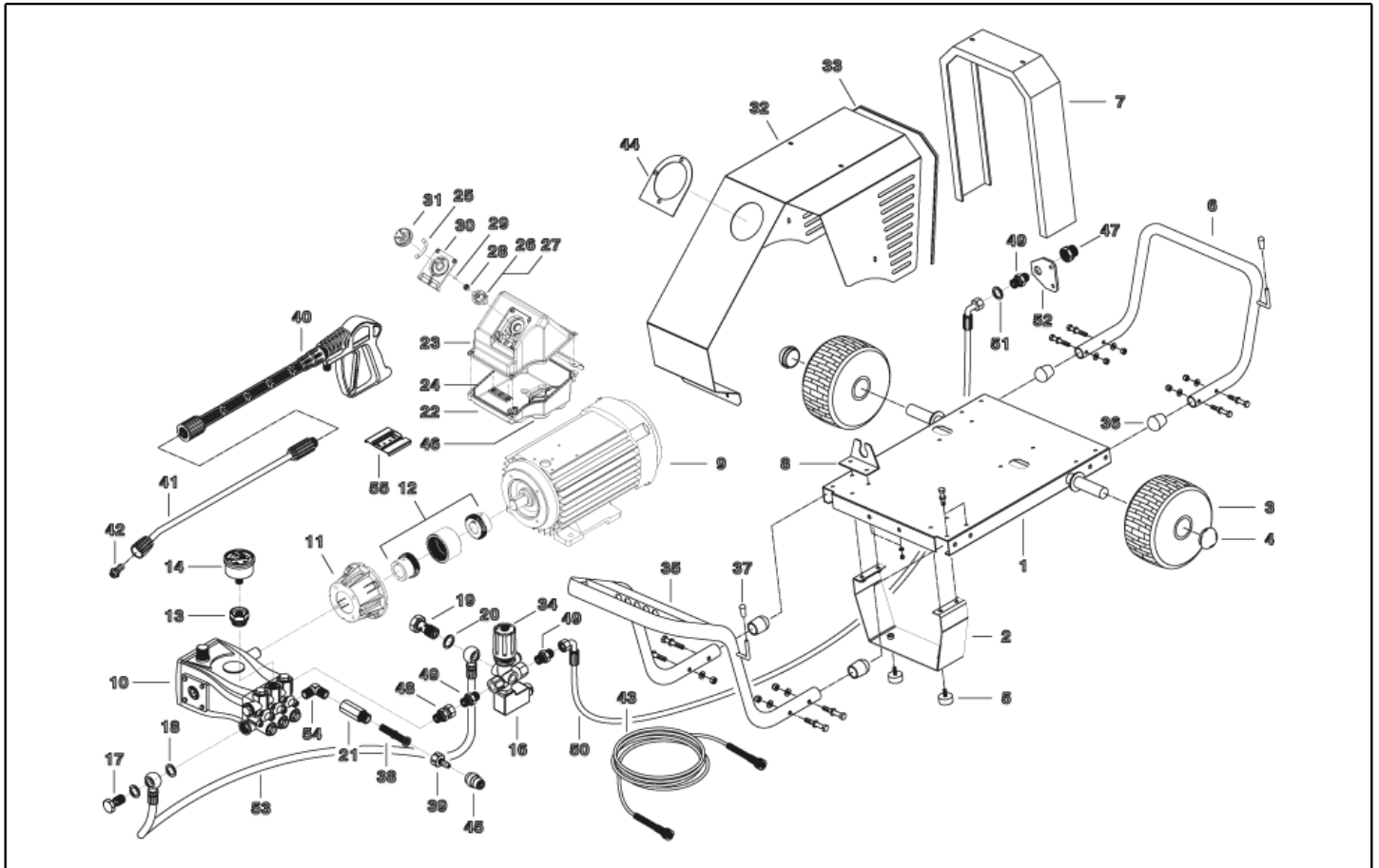
**Spare parts list**

Ref: IDAF40332

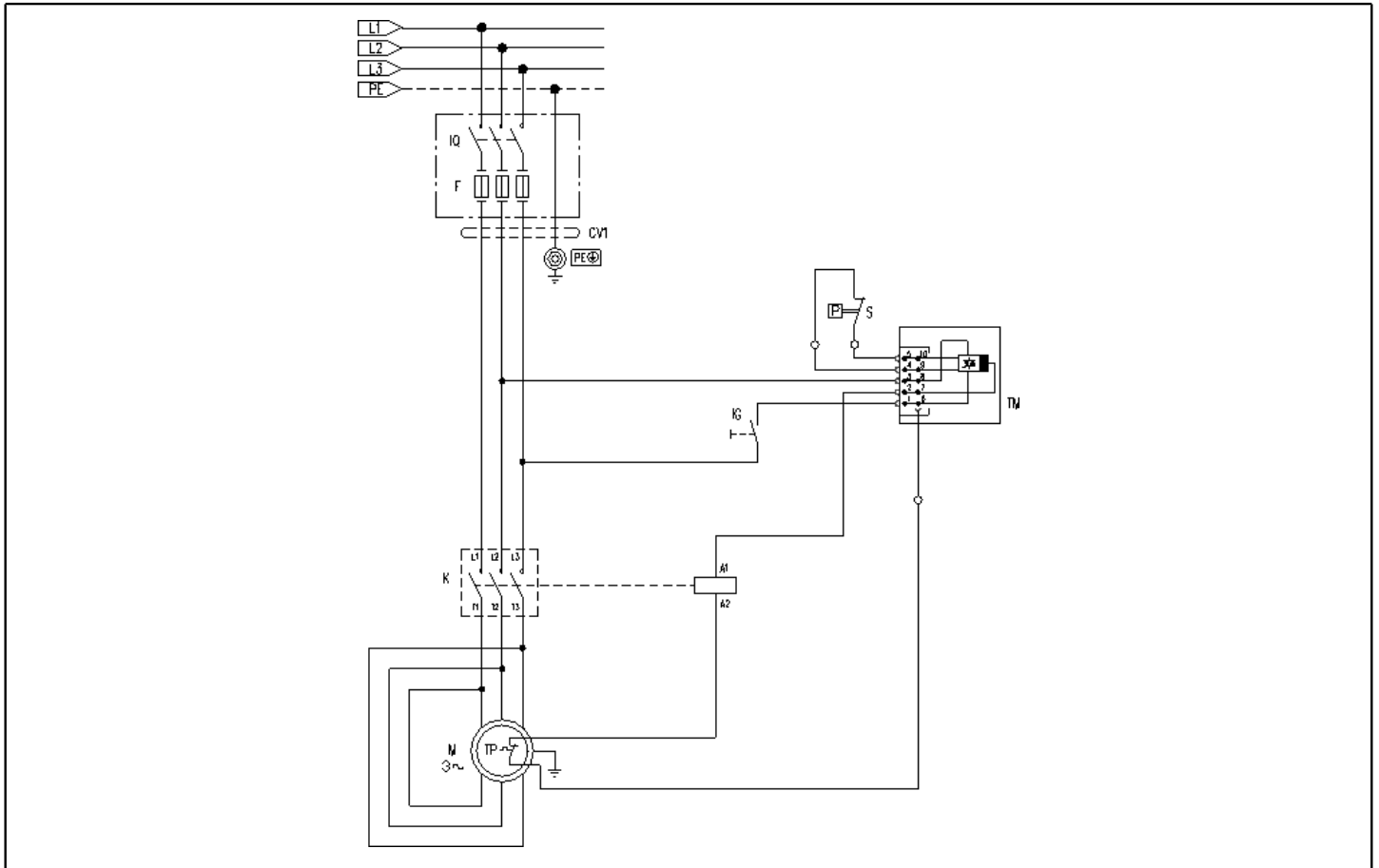
Model: H.P. CLEANER PW-C80 D2122P T230/50IPC



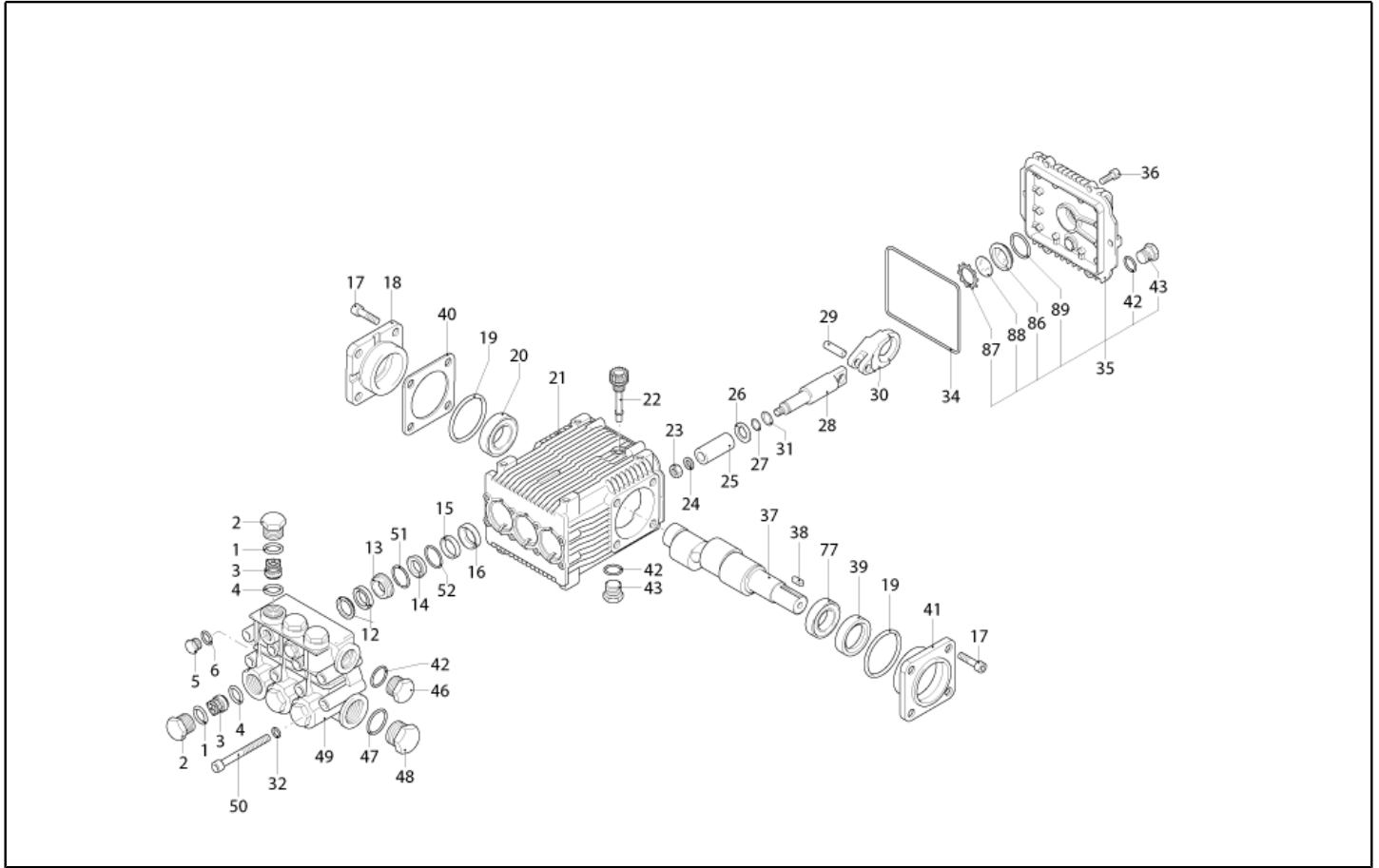
Ref. K	Part n.	Part n. 2	Description	Quantity	Validity		Price
					From	To	
0001	LAFN40179		CHASSIS BENZ HP 9-13	1,00			--
0002	LAFN40181		FOOT BENZ HP 9-13	1,00			--
0003	RTRT40006		WHEEL D. 13.5"X 6/6 -D.25 PN.	2,00			--
0004	VTVR01268		HUB CAP D. 25	2,00			--
0005	MPVR60726		VIBRATION DAMP. TCC48X25- 1M8X16 60SH GMM	2,00			--
0006	LAFN40183		BUMPER BENZ HP 9-13	1,00			--
0007	LAFN40451		BRACKET PW-C80 BK.	1,00			--
0008	LAFN40452		BRACKET PW-C80 M25 BK.	1,00			--
0009	MOTR89784		3PH MOTOR B3-14 HP10 23/400-50 E.X5	1,00			--
0010	PPAP40063		PUMP RK 20.19 DX NC 21LT.	1,00			--
0011	MFVR89552		FLANGE MOTOR H 112 B14-P237 9HP	1,00			--
0012	FGGT88467		FLEX. COUPLING P105 HP 9.0 CPL.	1,00			--
0013	PVVR40208		CAP AR RK C/F. 1/4F+OR	1,00			--
0014	MNMN89877		PRESSURE GAUGE G1/4 0-315 D.50 INOX	1,00			--
0017	RCDS16328		SCREW G 1/2 D.8	1,00			--
0018	VTRS12491		WASHER 1/2	2,00		30/11/2015	--
0018	VTRS40027		WASHER 1/2 ZC + NBR 85SH	2,00	01/12/2015		--
0019	RCDS01371		SCREW G 3/8 A.P.	1,00			--
0020	VTRS12492		WASHER 3/8	2,00		30/11/2015	--
0020	VTRS40026		WASHER 3/8 ZC + NBR 85SH	2,00	01/12/2015		--
0021	RCDS89865		SLEEVE 3/4-1/2 M/F P237 OT	1,00			--
0022	MPVR40345		BOX COVER P237-C80 PA6 BK.	1,00			--
0023	MPVR89768		CONTROL BOX P237 PA6 BK.	1,00			--
0024	GUGO11309		JOINT MOUSSE D. 3	0,80			--
0025	LAFN40454		BRACKET PW-C80 ZC.	1,00			--
0026	MPVR89759		TAIL PIECE P237 INT. PA6 BK.	1,00			--
0027	GUGO01032		O-RING D. 17.13 X 2.62 NBR 70SH	1,00			--
0028	MPVR89760		ROLLER P237 PA6 BK.	1,00			--
0029	LAFN89793		PIN P237 INX	1,00			--
0030	MPVR89763		COVER P237 PA6 BK.	1,00			--
0031	MPVR89762		BLACK KNOB P237 PA6	1,00			--
0032	LAFN40455		COVER PW-C80 INX	1,00			--
0033	GUVR13437		EDGE H=10	3,70			--
0034	VVAZ40082		VALVE VRT3 3/8F 28MPa +1/4F+SW	1,00	15/11/2016		--
0034	VVAZ89669		VALVE BP 9 3/8F-250B. +SWITCH	1,00		14/11/2016	--
0035	LAFN40188		HANDLE BENZ HP 9-13	1,00			--
0036	MPVR01697		PROD D.30 1.02.109	2,00			--
0036	MPVR01697		PROD D.30 1.02.109	2,00			--
0037	MPVR32471		PROD D. 8 BK	1,00			--
0037	MPVR32471		PROD D. 8 BK	1,00			--
0038	FTAC30214		FILTER D.15X67	1,00			--
0039	RCVR29600		SOCKET PTC 3/4 F	1,00			--
0040	IPPR40010		GRIP G 5100+P.330 +M22 SW.M V	1,00		29/02/2016	--
0040	IPPR40020		GRIP G 6000+P.330 +M22 SW.M V	1,00	01/03/2016	14/06/2018	--



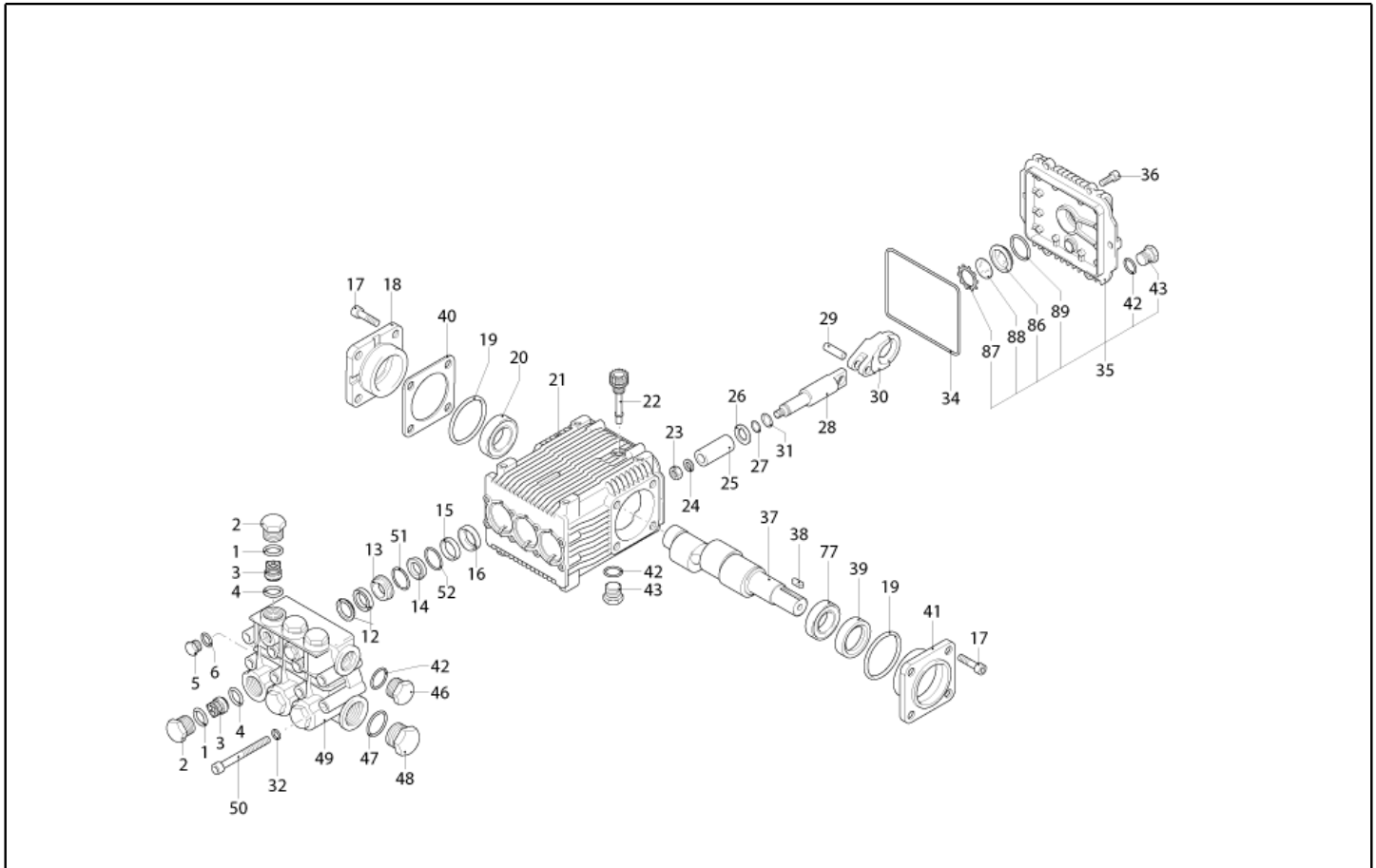
Ref. K	Part n.	Part n. 2	Description	Quantity	Validity		Price
					From	To	
0040	IPPR40025		GRIP G 6000+P.330 +M22 SW.M 2V	1,00	15/06/2018		--
0041	LCPR12976		EXTENSION P 70	1,00		30/11/2016	--
0041	LCPR40087		EXTENSION P 70 -P20.IX700 M22 M	1,00	01/12/2016	31/08/2017	--
0041	LCPR40159		EXTENSION P 70 -P20.IX700 M22 M 0°	1,00	01/09/2017		--
0042	UGLN02299		NOZZLE LECH 1/4 1506	1,00			--
0043	TBAP25324		H.P. HOSE R1 MT 10 5/16" C/2 IRV ZC	1,00			--
0044	ETET40420		LABEL PW-C80 PLC	1,00			--
0045	RCVR29602		CONNECTOR D. 1/2"-5/8" PTC	1,00			--
0046	GUGO89794		O-RING 41.28 X 3.53- NBR -70SH	1,00			--
0047	RCIN03753		MALE COUPLING M22-3/8 M-FA	1,00			--
0048	RCVR00563		SWIVEL RACCORD 3/8 M/F	1,00			--
0049	RCDS00610		NIPPLE 3/8 - 3/8 SV	3,00			--
0050	TBAP40084		HOSE-FITTING 3/ 8 L=430 R2 3/8F45- 90°	1,00			--
0051	VTRS00548		WASHER D.17,5X23X1,5 (3/8)RM	1,00			--
0051	VTRS00548		WASHER D.17,5X23X1,5 (3/8)RM	1,00			--
0052	LAFN40453		SUPPORT PW-C80 DS BK.	1,00			--
0053	TBBP28994		L.P. HOSE L= 390 1/2OCC-3/8OCC. 90°	1,00			--
0054	RCVR72843		CONNECTOR 90g 1/2"Gj AP	1,00			--
0055	LAFN46067		SUPPORT L.60 P176	1,00	21/02/2015		--
0055	LAFN46067		SUPPORT L.60 P176	1,00	28/02/2012	31/01/2013	--



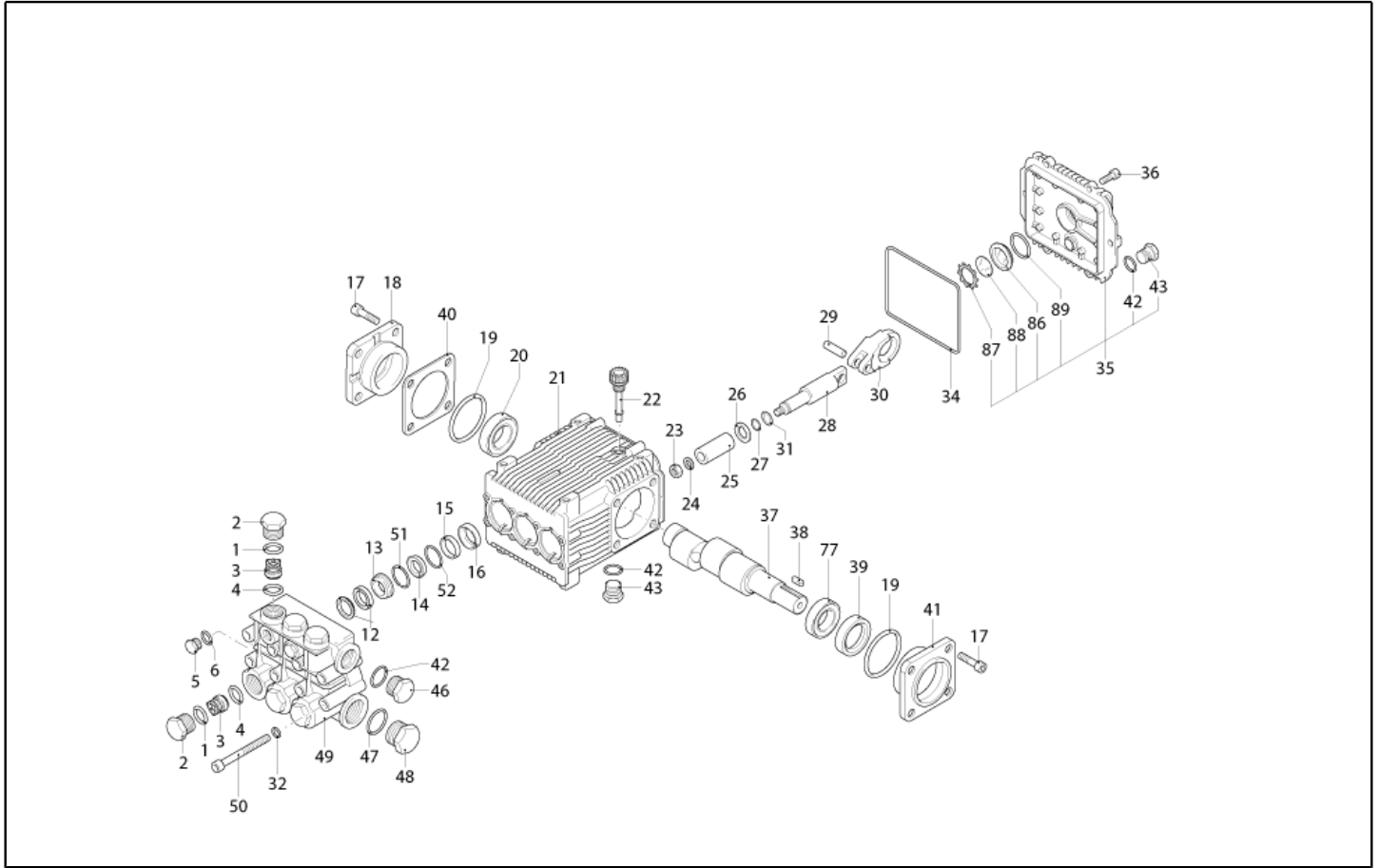
Ref. K	Part n.	Part n. 2	Description	Quantity	Validity		Price
					From	To	
K	METT40026		CONTACTOR SIE 3RT 2027-1AL20 230V	1,00	21/02/2015		--
K	METT45020		CONTACTOR SIE 3RT 1034 1AL20 230V	1,00		20/02/2015	--
IG	MECI37646		MICROSWITCH XGA2-88 16(6)A	1,00			--
TM	METY40001		TIMER THV/1 220-5/60 30S. VM	1,00	01/09/2015		--
TM	METY89836		TIMER THV/1+OPTO 220V 5/60 30S	1,00		31/08/2015	--
CV1	MECB89887		CABLE H07RNF 4X4 L. 6.500	1,00			--



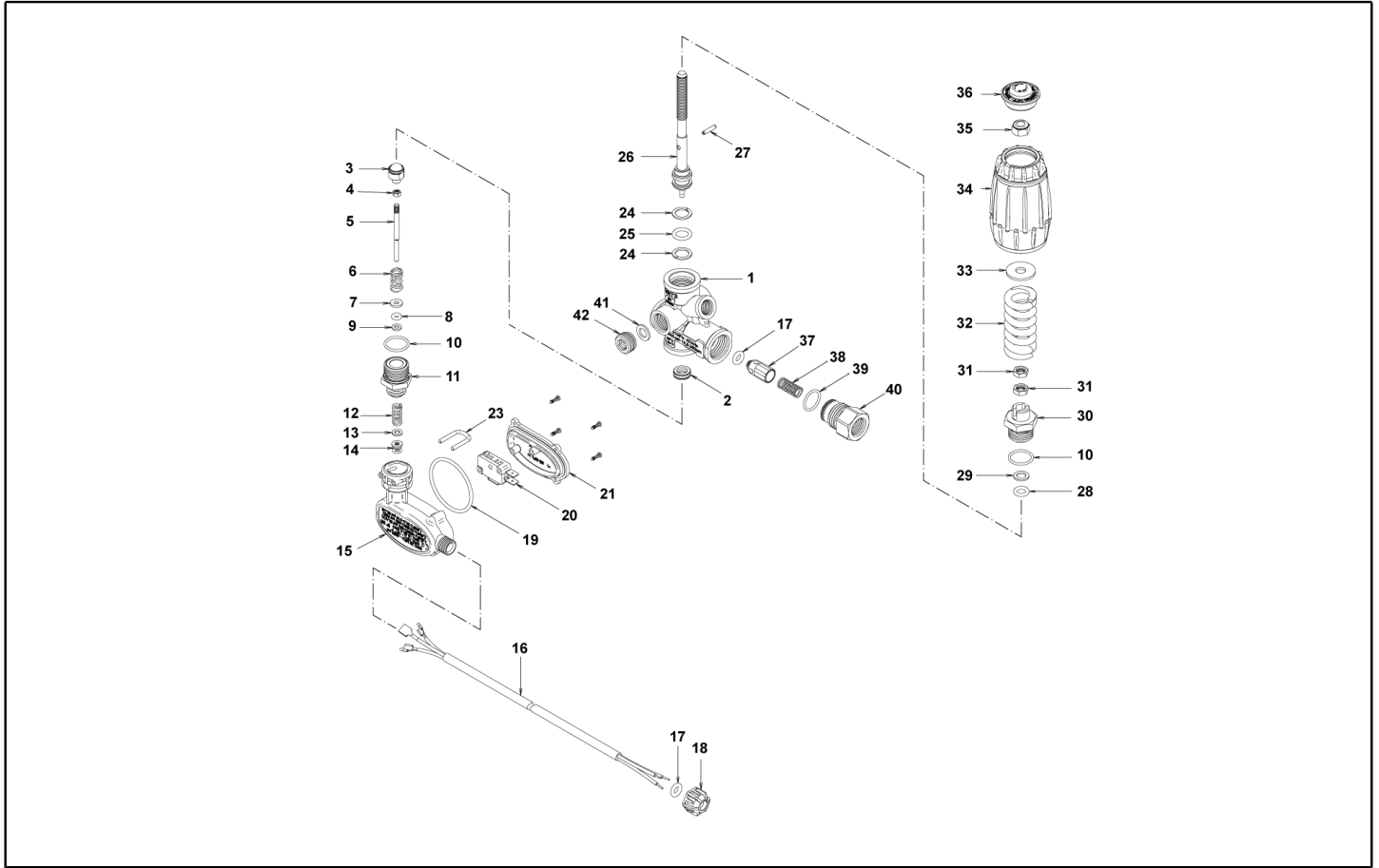
Ref. K	Part n.	Part n. 2	Description	Quantity	Validity		Price
					From	To	
0001	GUGO03502		O-RING D. 17.86 X 2.62 NBR 70SH	6,00			--
0002	PVVR40161		CAP AR RR	6,00			--
0003	S VVAM40003		VALVE UNIT RR	6,00			--
0004	S GUGO02259		O-RING D. 15.54 X 2.62 NBR 70SH	6,00			--
0005	PVVR40129		CAP 1/4 M RC	2,00			--
0006	GUGO01036		O-RING D. 10.82 X 1.78 NBR 70SH	2,00			--
0012	S GUVR40051		PACKING D. 22 RK W1	3,00			--
0013	PVVR40212		INTERMED. RING D.22 RK	3,00			--
0014	S GUVR40050		PACKING D. 22 RK W2	3,00			--
0015	PVVR40210		SPACER D. 35 RK	3,00			--
0016	S GUGO40022		OIL SEAL RK	3,00			--
0017	VTVT01118		SCREW TCEI M 8X16 ZC. UNI 5931	8,00			--
0018	MFVR40038		CRANKASE COVER AR RK LT.	1,00			--
0019	S GUGO01053		O-RING D. 60 X 2.62 NBR 70SH	2,00			--
0020	CUVR40011		BEARING 30304 DQ	1,00			--
0021	MFVR40039		PUMP CRANKCASE AR RK	1,00			--
0022	PVVR19231		OIL CAP XTS	1,00			--
0023	VTDD00483		NUT M 8 ZIN UNI 5588	3,00			--
0024	VTRS19394		WASHER D. 8X13X0.5	3,00			--
0025	S PIVR40009		PISTON D.22X40 RK	3,00			--
0026	PVVR40218		DISC RK	3,00			--
0027	GUGO08071		O-RING D. 4.48 X 1.78 NBR 70SH	3,00			--
0028	PVVR40217		PISTON GUIDE RK	3,00			--
0029	PVVR40211		GUDGEON D. 10X25 RK	3,00			--
0030	BLVR40005		CONNECTING ROD RK	3,00			--
0031	GUVR40044		ANTI-EXTR.RING D. 5 X 8 X1	3,00			--
0032	VTRS00504		WASHER D. 8 ZC. UNI 6592	8,00			--
0034	S GUGO40023		O-RING D. 106 X 3 NBR 70SH	1,00			--
0035	MFVR40041		CRANKASE COVER AR RK	1,00			--
0036	VTVT01114		SCREW TCEI 6X14 UNI 5931	6,00			--
0037	ALMO40017		SHAFT AR RK20.19 NC	1,00			--
0038	VTVR41531		KEY 8X 7X35 UNI 6604A	1,00			--
0039	S GUGO01245		OIL SEAL 25X 45X10-L-CM -NBR70	1,00			--
0040	PVVR40214		THICKNESS AR 0,20 mm	1,00			--
0041	MFVR40040		CRANKASE COVER AR RK LAT. OPEN	1,00			--
0042	GUGO09720		O-RING D. 14 X 1.78 NBR 70SH	3,00			--
0043	PVVR40099		CAP 3/8 M HRM	1,00			--
0046	PVVR40099		CAP 3/8 M HRM	1,00			--
0047	GUGO19245		O-RING D. 17.5 X 2 NBR 70SH	1,00			--
0048	PVVR40121		CAP 1/2 M RC	1,00			--
0049	MFVR40042		HEAD AR RK OT.	1,00			--
0050	VTVT37530		SCREW TCEI M 8X70 UNI 5931	8,00			--
0051	S GUGO10379		O-RING D. 22 X 2 NBR 70SH	3,00			--
0052	S GUGO40024		O-RING D. 28.25 X 1.78 NBR 70SH	3,00			--



Ref. K	Part n.	Part n. 2	Description	Quantity	Validity		Price
					From	To	
0077	CUVR66788		BEARING D.25X52X16,25 30205 SKF	1,00			--
0086	PVVR19238		OIL INDICATOR XTS	1,00			--
0087	VTAE19239		SEEGER 0,5 X25,35X16,0	1,00			--
0088	PVVR40199		DISC CONTRASTO POMPA RW	1,00			--
0089	GUGO19395		O-RING D. 20.24 X 2.62 NBR 70SH	1,00			--

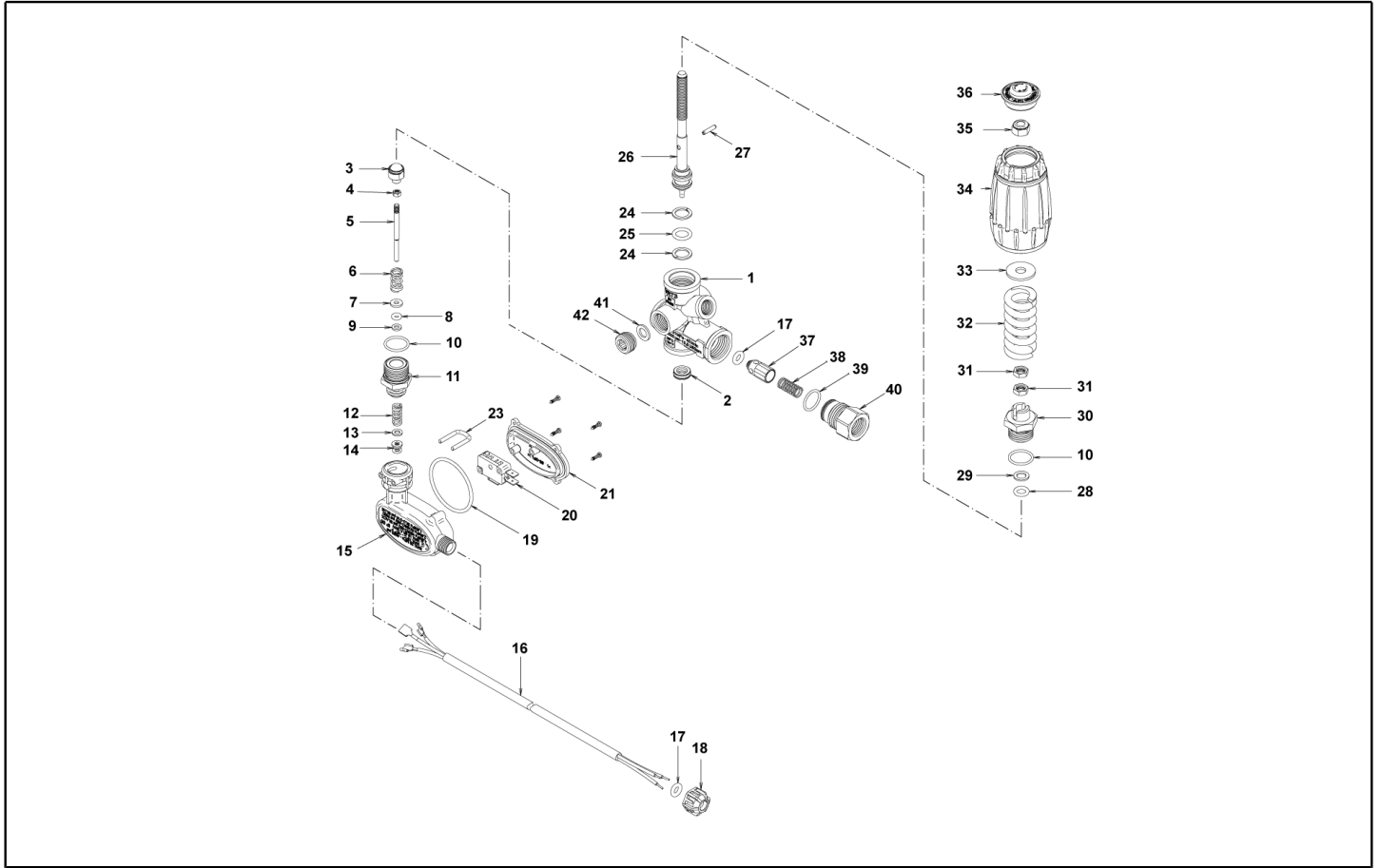


Ref. Part n.	Part n. 2	Description	Reference	Price
K A	KTRI40142	KIT P 15-42909 RR	0003 0004	--
K B	KTRI40166	KIT P 15-2526 D.22 RK	0025	--
K C	KTRI40167	KIT P 15-1855 RK	0016 0019 0034 0039	--
K E	KTRI40168	KIT P 15-42925 D.22 RK	0012 0014 0051 0052	--

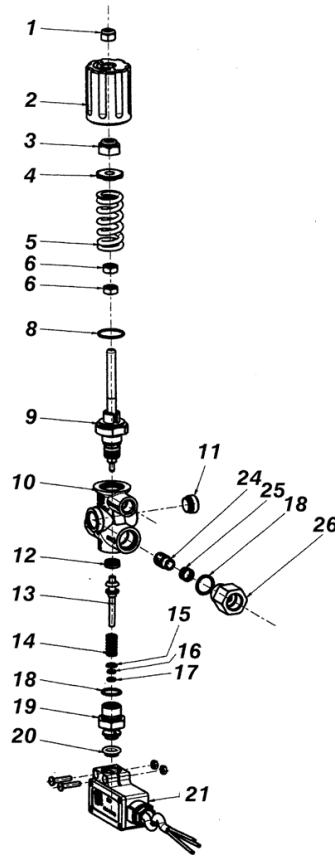


Ref. K	Part n.	Part n. 2	Description	Quantity	Validity		Price
					From	To	
0001	PVVR40342		VALVE BODY VRT3 3/8F	1,00			--
0002	S	PVVR40474	BALL SEAT D.8 VRT3 + OR	1,00			--
0003	S	PVVR40475	COUPLING VRT 13/32"	1,00			--
0004	S	VTDD63179	NUT M 4 OT.	1,00			--
0005	S	PVVR40457	CONTROL ROD PS6 MV 0316	1,00			--
0006		MLML40024	SPRING MV0316 28	1,00			--
0007		VTRS40031	WASHER D. 4 X10 X1.5 OT	1,00			--
0008	S	GUGO01201	O-RING D. 3.6 X 2.4 -NBR 70SH	1,00			--
0009	S	GUVR41557	ANTI-EXTR.RING D. 4 X 7.8X1.2	1,00			--
0010	S	GUGO24913	O-RING D. 17.17 X 1.78 NBR 90SH	2,00			--
0011		PVVR40458	CONNECTOR PS6 VRT-3	1,00			--
0012		MLML40033	SPRING PS2 15BAR	1,00			--
0013		VTRS40032	WASHER D. 4.1X8.0X1.0 OT	1,00			--
0014	S	GUVR40090	GASKET PS3 VRT-3	1,00			--
0015		MPVR40813	SHELL PS6 BK.	1,00			--
0016		MECB40341	CABLE 3X1 L=1.2 BK.	1,00			--
0017	S	GUGO46053	O-RING D. 6 X 3 NBR 90SH	2,00			--
0018		MPVR40814	RING NUT PS3 BK.	1,00			--
0019	S	GUGO02267	O-RING D. 44.12 X 2.62 NBR -70SH	1,00			--
0020		MECI40039	MICROSWITCH XG PS6	1,00			--
0021		MPVR40815	COVER PS6 BK.	1,00			--
0023		LAFN40886	PLUG "U" PS6	1,00			--
0024	S	GUVR40070	ANTI-EXTR.RING D. 11.5X15.9X1.2	2,00			--
0025	S	GUGO11225	O-RING D. 10.78 X 2.62 NBR 70SH	1,00			--
0026		PVVR40345	PUSH ROD VRT3	1,00			--
0027		VTVR40045	ELASTIC PLUG 3X14 UNI-EN28748	1,00			--
0028	S	GUGO21638	O-RING D. 7.60 X 2.62 NBR 70SH	1,00			--
0029	S	GUVR40071	ANTI-EXTR.RING D. 8 X 12.6	1,00			--
0030		PVVR40346	ROD GUIDE VRT3	1,00			--
0031		VTDD40011	NUT M 8 OT UNI EN 24035	2,00			--
0032		MLML40039	SPRING D. 5.7/20.7X56 31MPa	1,00			--
0033		VTRS00512	WASHER D. 8 X24 ZC.	1,00			--
0034		PVVR40347	KNOB VRT3-VHP	1,00			--
0035		VTDD00124	NUT M8 DIN985	1,00			--
0036		PVVR40476	CAP VRT3 31MPa	1,00			--
0037		PVVR40349	COUPLING VRT3	1,00			--
0038		MLML40026	SPRING VRT3	1,00			--
0039	S	GUGO12321	O-RING D. 15.6 X 1.78 NBR 90SH	1,00			--
0040		PVVR40350	CONNECTOR VRT3 G 3/8F	1,00			--
0041		VTRS12254	WASHER D. 8X14X1.5	1,00			--
0042		PVVR40351	CAP EI G 3/8 VRT3 OT	1,00			--

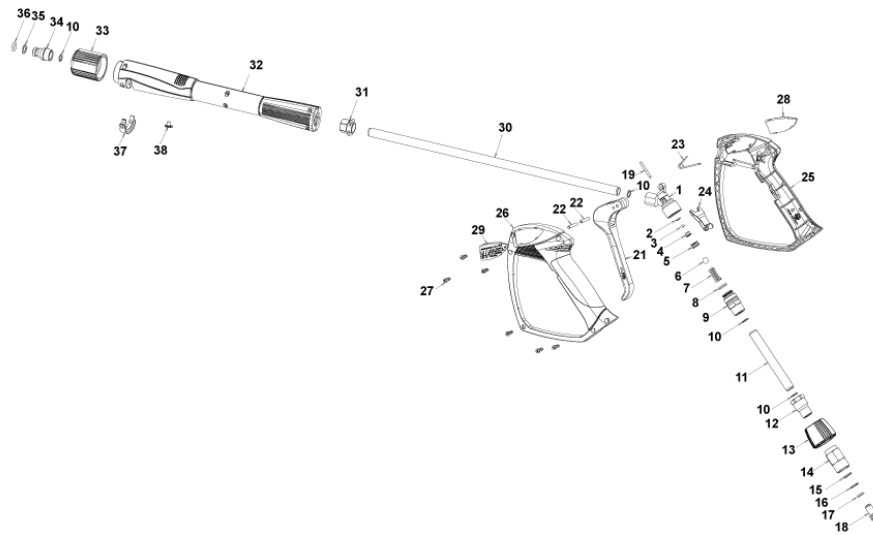




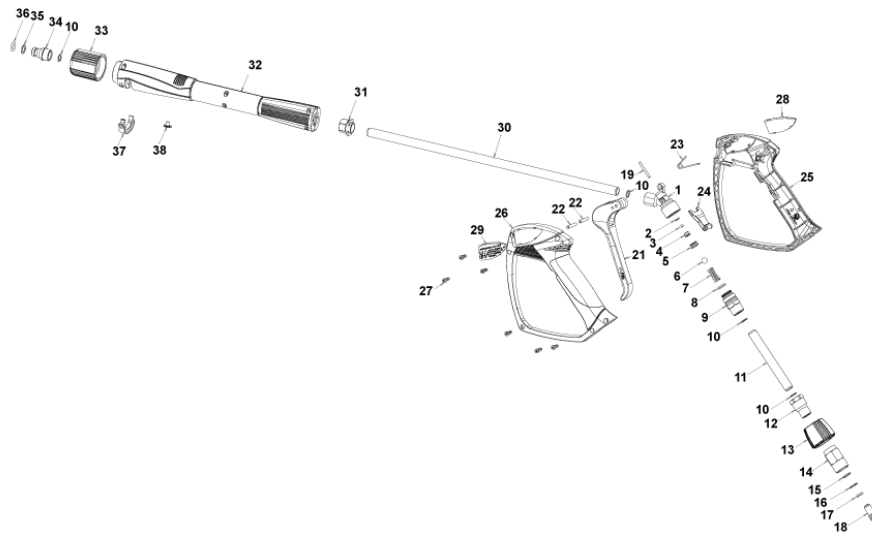
Ref. Part n.	Part n. 2	Description	Reference	Price
KTRI40401		KIT P 14-116 VRT3 +PS6 31MPa	0002 0003 0004 0005 0008 0009 0010 0014 0017 0019 0024 0025 0028 0029 0039	--



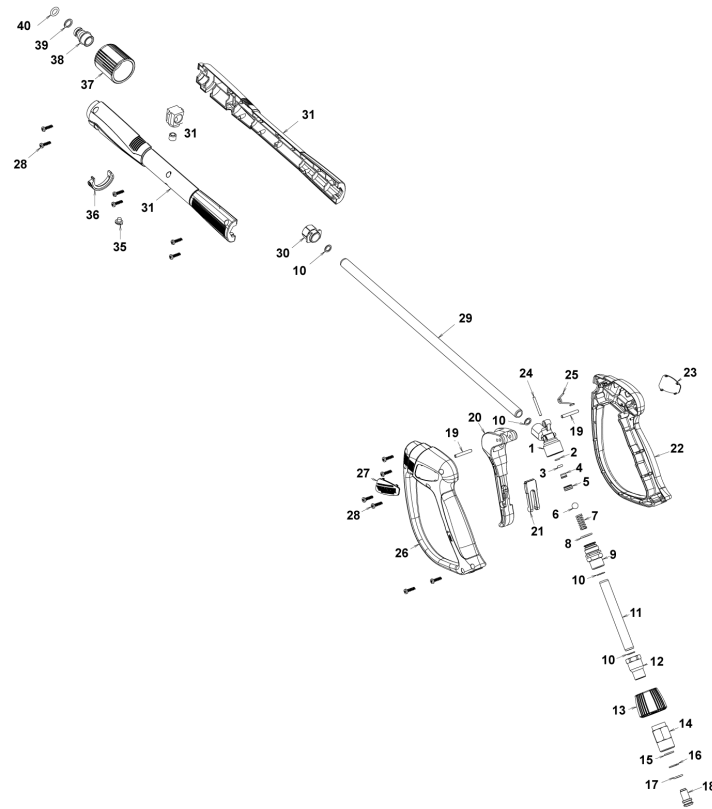
Ref. K	Part n.	Part n. 2	Description	Quantity	Validity		Price
					From	To	
0001	VTDD89669		NUT M 8 X1 AUT. INX A2	1,00			--
0002	MPVR40002		KNOB BP9 BK.	1,00			--
0003	VTDD88134		NUT M 8 BY-PASS BP91	1,00			--
0004	PVVR88140		SPRING PLATE BP91	1,00			--
0005	MLML40001		SPRING D.15.6 X27 L=51.5 250B.	1,00			--
0006	VTDD40000		NUT M 8 X1 UNI5588 INX A2	1,00			--
0008	GUGO11652		O-RING D. 12.42 X 1.78 NBR 70SH	1,00			--
0009	PVVR40016		PUSH ROD BP9 CP.	1,00			--
0010	PVVR88137		VALVE BODY BP91 RIT.3/8"F	1,00			--
0011	PVVR88139		CAP 3/8 M BP91	1,00			--
0012	PVVR88135		INSERT BY-PASS BP91	1,00			--
0013	PVVR40017		CONTROL PISTON BP9+SW.	1,00			--
0014	MLML40002		SPRING D. 7.3 X10.1 L=24.3 INX	1,00			--
0015	GUVR40004		ANTI-EXTR.RING D. 5.1X 7.9X1.5	1,00			--
0016	GUGO08071		O-RING D. 4.48 X 1.78 NBR 70SH	1,00			--
0017	VTRS00516		WASHER D. 5 INX	1,00			--
0018	GUGO03505		O-RING D. 15.6 X 1.78 NBR 70SH	2,00			--
0019	PVVR40018		VALVE GUIDE BP9	1,00			--
0020	GUGO40001		GASKET BP9	1,00			--
0021	MEPF40000		PRESSURE SWITCH BP9 -3F.	1,00			--
0022	VTDD00147		NUT M 4 INX U.5588	2,00			--
0023	VTVT27366		SCREW M 4X20 TCB T-CROCE INOX	2,00			--
0024	PVVR49636		SMALL PISTON BP91 C/OR	1,00			--
0025	MLML40004		SPRING BP 9	1,00			--
0026	PVVR49638		CONNECTOR BP91 3/8F	1,00			--



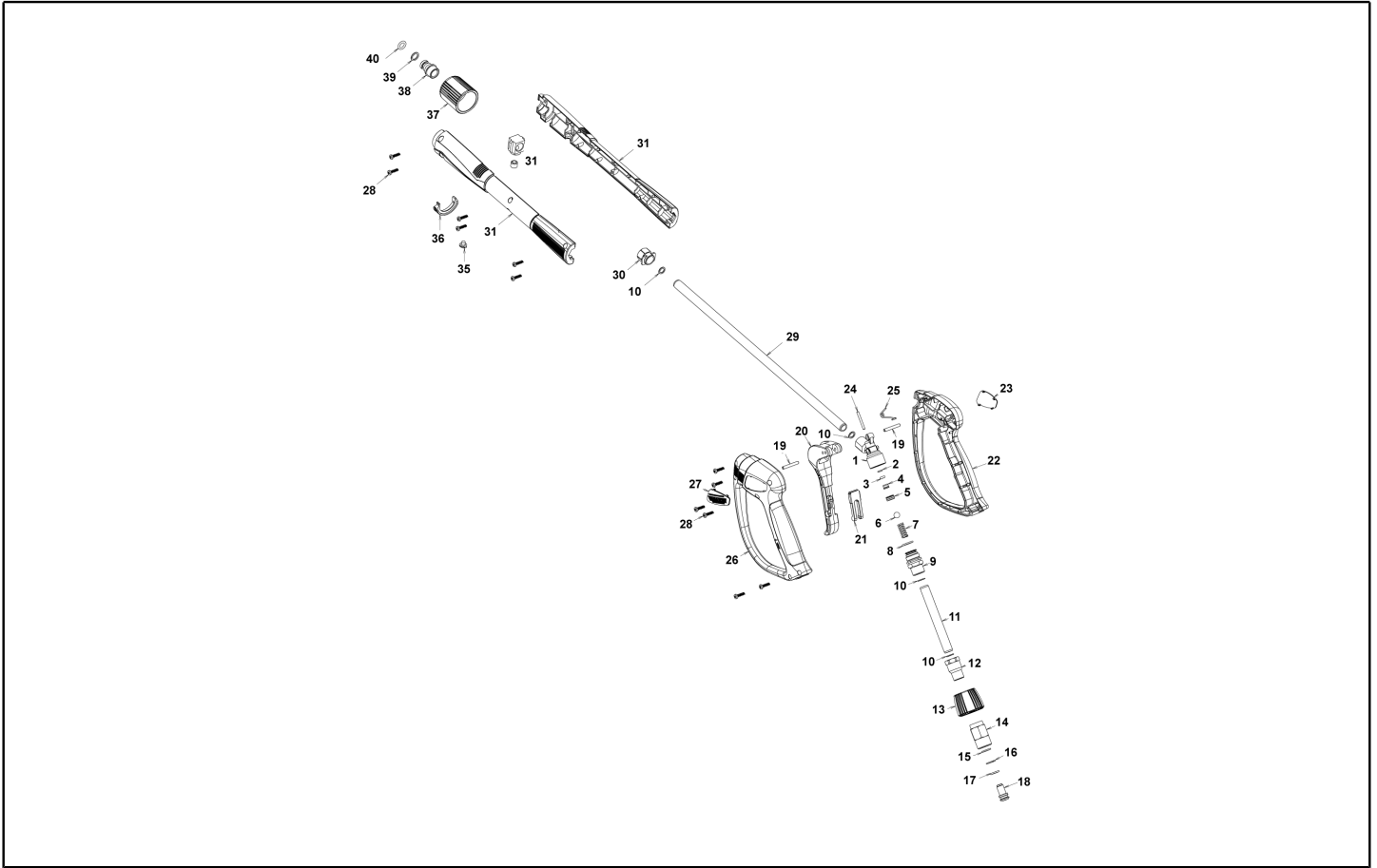
Ref. K	Part n.	Part n. 2	Description	Quantity	Validity		Price
					From	To	
0001	PVVR40381		GUN BODY G 5100 G1/4F	1,00			--
0002	S	GUVR40074	ANTI-EXTR.RING D. 3 X 7.4X1.3	1,00			--
0003	S	GUGO21835	O-RING D. 2.84 X 2.62 VIT. 80SH	1,00			--
0004	PVVR40382		PISTON GUIDE G 5100	1,00			--
0005	S	PVVR40112	BALL SEAT G 5000	1,00			--
0006	S	SFVR27026	BALL D.11/32" INX	1,00			--
0007		MLML40016	SPRING D. 9.4 x21.5x1.6 G5000	1,00			--
0008		GUGO12322	O-RING D. 14 X 1.78 NBR 90SH	1,00			--
0009		PVVR40383	CONNECTOR COLL.G5100 1/4F	1,00			--
0010		VTRS40017	WASHER D. 8.2X11,4X1.00	4,00			--
0011		PVVR40384	TUBE G 1/4" L.105	1,00			--
0012		RCIN40022	CONNECTOR SWIV G5100 1/4F	1,00			--
0013		MPVR40486	RING NUT G 5100 SW. GR.	1,00			--
0014		RCIN40021	JOINT SWIV 5100 M22	1,00			--
0015	S	GUVR40075	ANTI-EXTR.RING D. 10 X14X1.5	1,00			--
0016	S	GUVR40076	ANTI-EXTR.RING D. 11.2X14X1.2	1,00			--
0017	S	GUGO15295	O-RING D. 10.82 X 1.78 VIT 75SH	1,00			--
0018		PVVR40386	SCREW SW. G 5100	1,00			--
0019		PVVR40387	SMALL PISTON G 5100	1,00			--
0021		MPVR40487	TRIGGER G 5100-SW	1,00			--
0022		VTVR40047	PLUG D. 4X29	2,00			--
0023		MLML40029	SPRING G 5100	1,00			--
0024		MPVR40488	SAFETY-DEVICE G 5100-SW	1,00			--
0025		MPVR40489	SHELL G 5100-SW DX	1,00			--
0026		MPVR40490	SHELL G 5100-SW SX	1,00			--
0027		VTVT40043	SCREW AF 4X 14 HILO ZN.N	6,00			--
0028		MPVR40491	PLATE G 5100 GR.DX	1,00			--
0029		MPVR40492	PLATE G 5100 GR.SX	1,00			--
0030		LCPR40086	TUBE 1/4 L=420 ZC. 0°	1,00			--
0031		MPVR40493	CONNECTOR G 5100-SW	1,00			--
0032		MPVR40494	PROTECTION P 420 C/AN.	1,00			--
0033		PVVR40119	CONNECTION M22X1.5 IRV G5000	1,00			--
0034		RCIN40009	GUDGEON G 1/4 F IRV G5000	1,00			--
0035		GUVR40034	ANTI-EXTR.RING D. 10 X14	1,00			--
0036		GUGO01946	O-RING D. 9.13 X 2.62 VIT 70SH	1,00			--
0037		MPVR40495	CAP G 5100 REM.	1,00			--
0038		MPVR40198	CAP G 5000	1,00			--



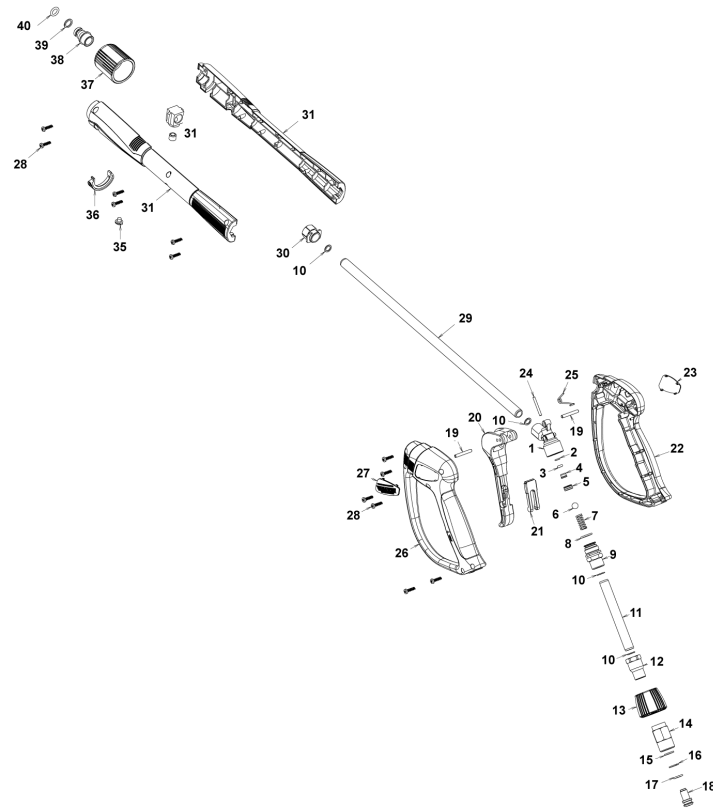
Ref. Part n.	Part n. 2	Description	Reference	Price
KTRI40242		KIT P 26- 25 G 5100	0002 0003 0005 0006	--
KTRI40243		KIT P 26- 26 SWIVEL G 5100	0015 0016 0017	--



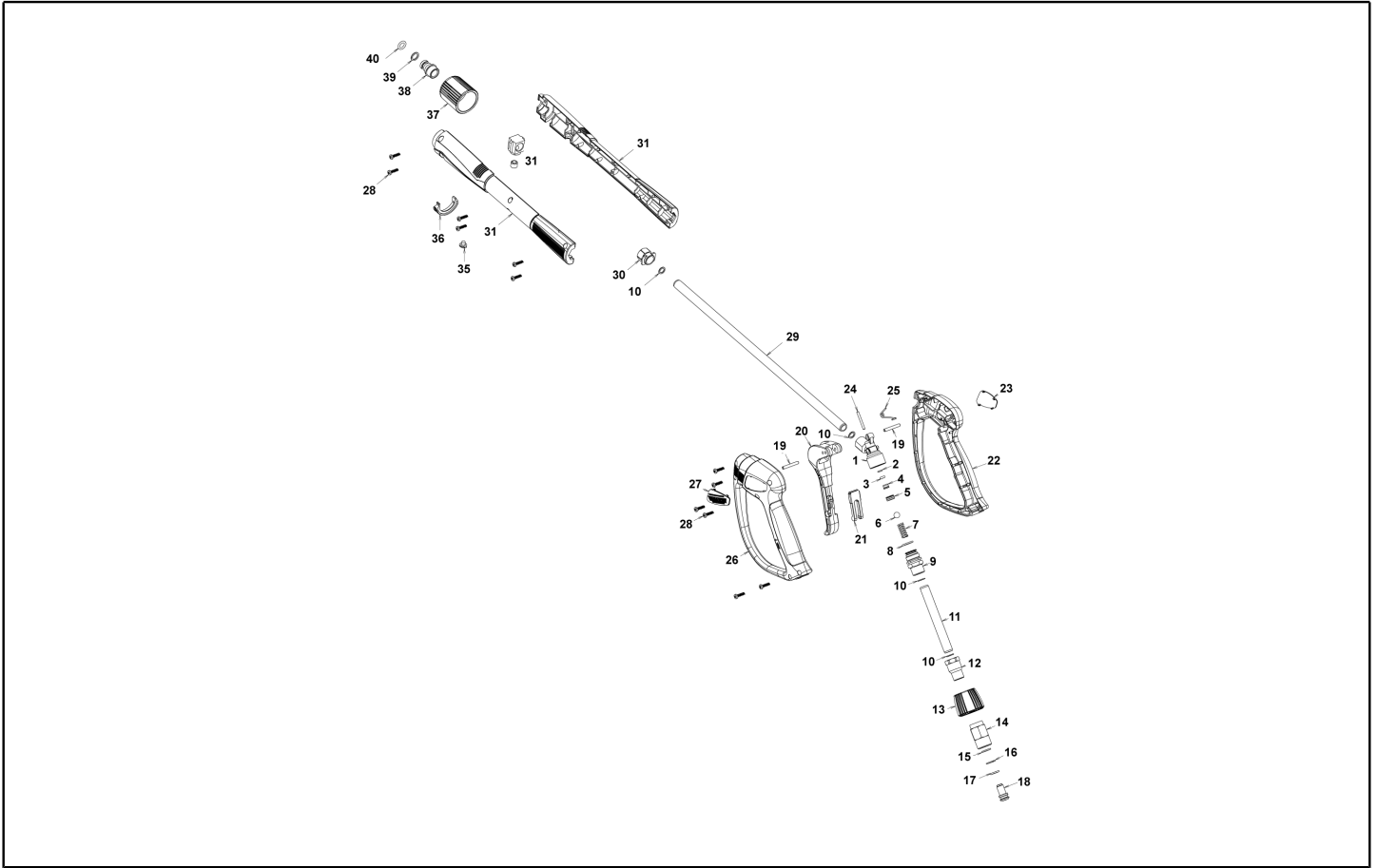
Ref. K	Part n.	Part n. 2	Description	Quantity	Validity		Price
					From	To	
0001	PVVR40381		GUN BODY G 5100 G1/4F	1,00			--
0002	S	GUVR40074	ANTI-EXTR.RING D. 3 X 7.4X1.3	1,00			--
0003	S	GUGO21835	O-RING D. 2.84 X 2.62 VIT. 80SH	1,00			--
0004		PVVR40382	PISTON GUIDE G 5100	1,00			--
0005	S	PVVR40112	BALL SEAT G 5000	1,00			--
0006	S	SFVR40002	BALL D.11/32" ALL GR16	1,00			--
0007		MLML40016	SPRING D. 9.4 x21.5x1.6 G5000	1,00			--
0008		GUGO12322	O-RING D. 14 X 1.78 NBR 90SH	1,00			--
0009		PVVR40383	CONNECTOR COLL.G5100 1/4F	1,00			--
0010		VTRS40017	WASHER D. 8.2X11,4X1.00	4,00			--
0011		PVVR40384	TUBE G 1/4" L.105	1,00			--
0012		RCIN40022	CONNECTOR SWIV G5100 1/4F	1,00			--
0013		MPVR40819	RING NUT G 5100 SW. BK.	1,00			--
0014		RCIN40021	JOINT SWIV 5100 M22	1,00			--
0015	S	GUVR40075	ANTI-EXTR.RING D. 10 X14X1.5	1,00			--
0016	S	GUVR40076	ANTI-EXTR.RING D. 11.2X14X1.2	1,00			--
0017	S	GUGO15295	O-RING D. 10.82 X 1.78 VIT 75SH	1,00			--
0018		PVVR40386	SCREW SW. G 5100	1,00			--
0019		VTVR40047	PLUG D. 4X29	2,00			--
0020		MPVR40820	TRIGGER G 6000-SW	1,00			--
0021		MPVR40821	SAFETY-DEVICE G 6000-SW	1,00			--
0022		MPVR40822	SHELL G 6000-SW DX	1,00			--
0023		MPVR40823	PLATE G 6000 GR.DX	1,00			--
0024		PVVR40387	SMALL PISTON G 5100	1,00			--
0025		MLML40029	SPRING G 5100	1,00			--
0026		MPVR40824	SHELL G 6000-SW SX	1,00			--
0027		MPVR40825	PLATE G 6000 GR.SX	1,00			--
0028		VTVT40043	SCREW AF 4X 14 HILO ZN.N	12,00			--
0029		LCPR40086	TUBE 1/4 L=420 ZC. 0°	1,00			--
0030		MPVR40493	CONNECTOR G 5100-SW	1,00			--
0031		MPVR40494	PROTECTION P 420 C/AN.	1,00			--
0035		MPVR40198	CAP G 5000	1,00			--
0036		MPVR40495	CAP G 5100 REM.	1,00			--
0037		PVVR40119	CONNECTION M22X1,5 IRV G5000	1,00			--
0038		RCIN40009	GUDGEON G 1/4 F IRV G5000	1,00			--
0039		GUVR40034	ANTI-EXTR.RING D. 10 X14	1,00			--
0040		GUGO01946	O-RING D. 9.13 X 2.62 VIT 70SH	1,00			--



Ref. Part n.	Part n. 2	Description	Reference	Price
KTRI40243		KIT P 26- 26 SWIVEL G 5100	0015 0016 0017	--
KTRI40414		KIT P 26- 34 G 6000	0002 0003 0005 0006	--



Ref. K	Part n.	Part n. 2	Description	Quantity	Validity		Price
					From	To	
0001	PVVR40381		GUN BODY G 5100 G1/4F	1,00			--
0002	S	GUVR40074	ANTI-EXTR.RING D. 3 X 7.4X1.3	1,00			--
0003	S	GUGO21835	O-RING D. 2.84 X 2.62 VIT. 80SH	1,00			--
0004		PVVR40382	PISTON GUIDE G 5100	1,00			--
0005	S	PVVR40563	BALL SEAT AL36 G6000 + OR	1,00			--
0006	S	SFVR40004	BALL D. 5/16" ALL.GR16	1,00			--
0007		MLML40047	SPRING D. 9.4 x23.5x1.6 G6000	1,00			--
0008		GUGO12322	O-RING D. 14 X 1.78 NBR 90SH	1,00			--
0009		PVVR40383	CONNECTOR COLL.G5100 1/4F	1,00			--
0010		VTRS40017	WASHER D. 8.2X11,4X1.00	4,00			--
0011		PVVR40384	TUBE G 1/4" L.105	1,00			--
0012		RCIN40022	CONNECTOR SWIV G5100 1/4F	1,00			--
0013		MPVR40967	RING NUT G 6000 SW. GR.	1,00			--
0014		RCIN40021	JOINT SWIV 5100 M22	1,00			--
0015	S	GUVR40075	ANTI-EXTR.RING D. 10 X14X1.5	1,00			--
0016	S	GUVR40076	ANTI-EXTR.RING D. 11.2X14X1.2	1,00			--
0017	S	GUGO15295	O-RING D. 10.82 X 1.78 VIT 75SH	1,00			--
0018		PVVR40386	SCREW SW. G 5100	1,00			--
0019		VTVR40047	PLUG D. 4X29	2,00			--
0020		MPVR40820	TRIGGER G 6000-SW	1,00			--
0021		MPVR40821	SAFETY-DEVICE G 6000-SW	1,00			--
0022		MPVR40822	SHELL G 6000-SW DX	1,00			--
0023		MPVR40968	PLATE G 6000/2 GR.DX	1,00			--
0024		PVVR40564	SMALL PISTON G 6000 AL36 SP.	1,00			--
0025		MLML40029	SPRING G 5100	1,00			--
0026		MPVR40824	SHELL G 6000-SW SX	1,00			--
0027		MPVR40825	PLATE G 6000 GR.SX	1,00			--
0028		VTVT40043	SCREW AF 4X 14 HILO ZN.N	12,00			--
0029		LCPR40181	TUBE 1/4 L=416 ZC. 0°	1,00			--
0030		MPVR40493	CONNECTOR G 5100-SW	1,00			--
0031		MPVR40494	PROTECTION P 420 C/AN.	1,00			--
0035		MPVR40198	CAP G 5000	1,00			--
0036		MPVR40495	CAP G 5100 REM.	1,00			--
0037		PVVR40119	CONNECTION M22X1,5 IRV G5000	1,00			--
0038		RCIN40048	GUDGEON G 1/4 F IRV G6000/2	1,00			--
0039		GUVR40034	ANTI-EXTR.RING D. 10 X14	1,00			--
0040		GUGO63555	O-RING D. 9.3 X 2,4 VIT 75SH	1,00			--



Ref. Part n.	Part n. 2	Description	Reference	Price
KTRI40243		KIT P 26- 26 SWIVEL G 5100	0015 0016 0017	--
KTRI40513		KIT P 26- 36 G 6000/II	0002 0003 0005 0006	--