



IPC

FOMA

Spare Parts List

IP Cleaning Srl - Soteco

Ref: ASDO00578

Cust.Ref: 731019182047

Model: BLOW.CENTR VAC.CLEAN.423 FOMA W/ACC

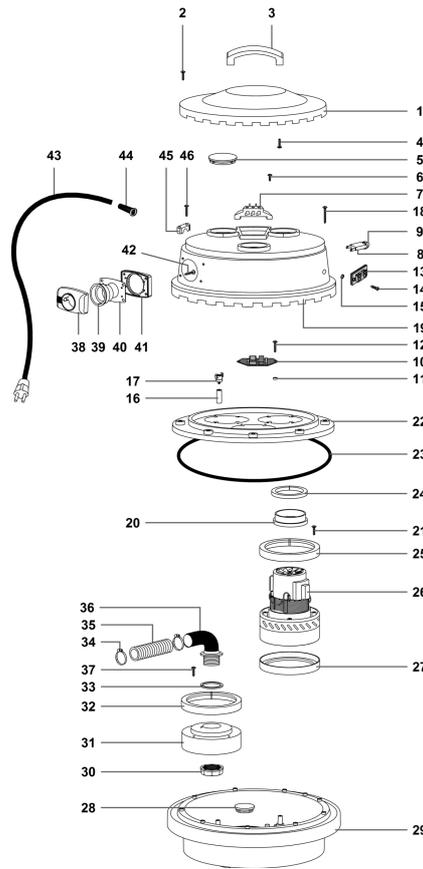
Cust.Model: W40 182047



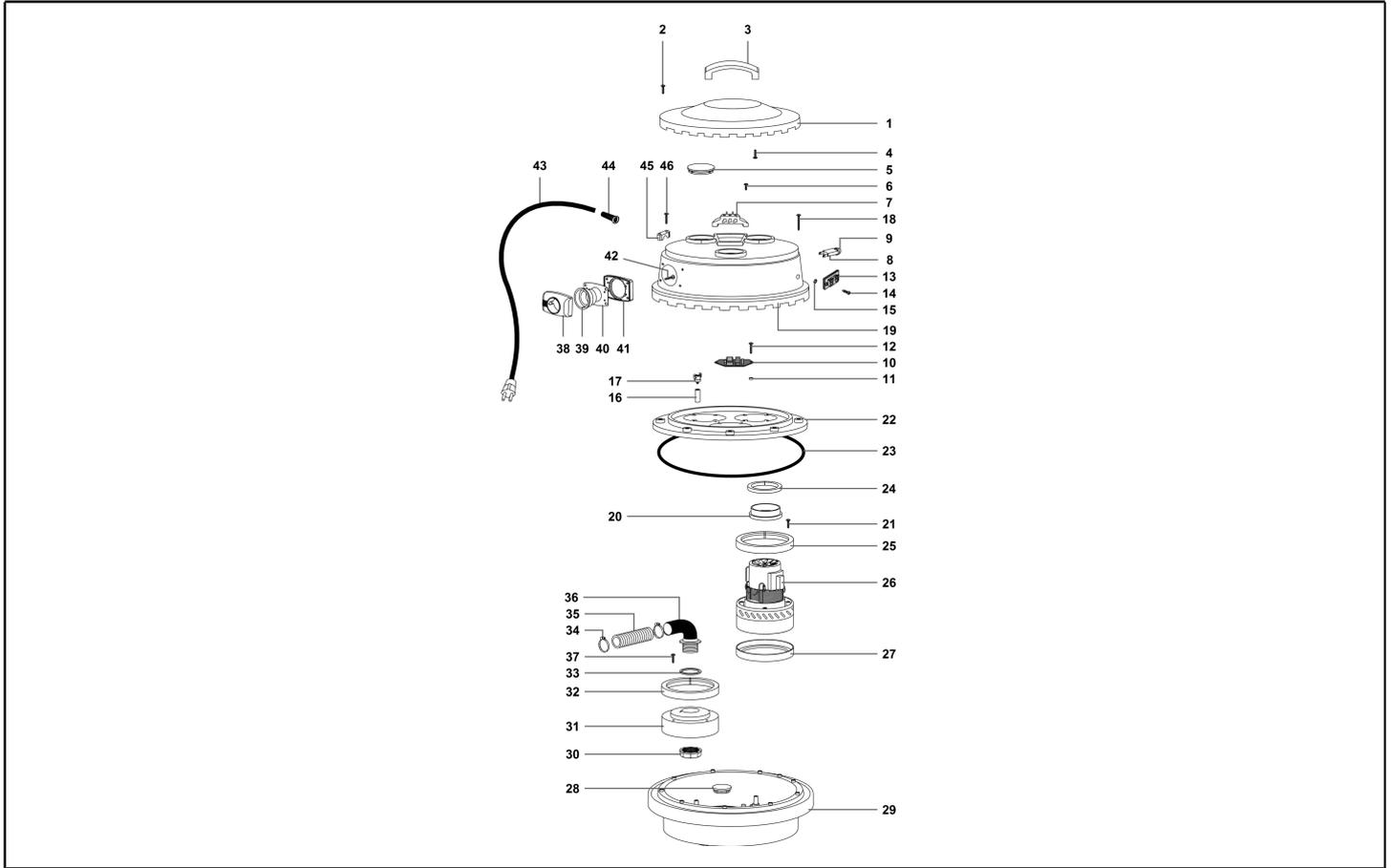
IPC Integrated Professional Cleaning

IPC Soteco

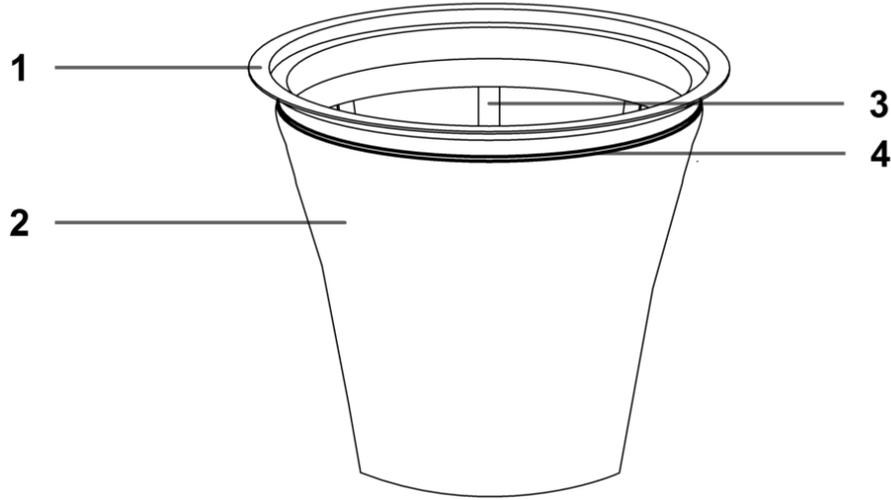
Ref. K	Part N.	Old Ref.	Description	Quantity	Validity		Price
					From	To	
0001	PMTA02734	03350 FOMA	CENTRALHEAD 423 BLOWING	1,00			--
0002	KTRI02459	06136	KIT RING+FILTER+BASKET 400 LOW	1,00			--
0003	FTDP00420	182085	SACK CARTA FOMA X W12-15-35-40	1,00			--
0004	PMFU01376	03398 ORANIER	DEC.TANK 400 W/O HOLE W/BRACKET COM	1,00			--
0005	PMFU01368	03358 ORANIER	COMPL.TANK 400 H=280 AISI 430 D.60	1,00			--
0006	PMDT00791	04205	KIT ACCESS. W 20/ OR/ELT (ORANIER)	1,00			--
0007	KTRI02526	148028	SET FOMA SCREWS + PLUGS	1,00			--



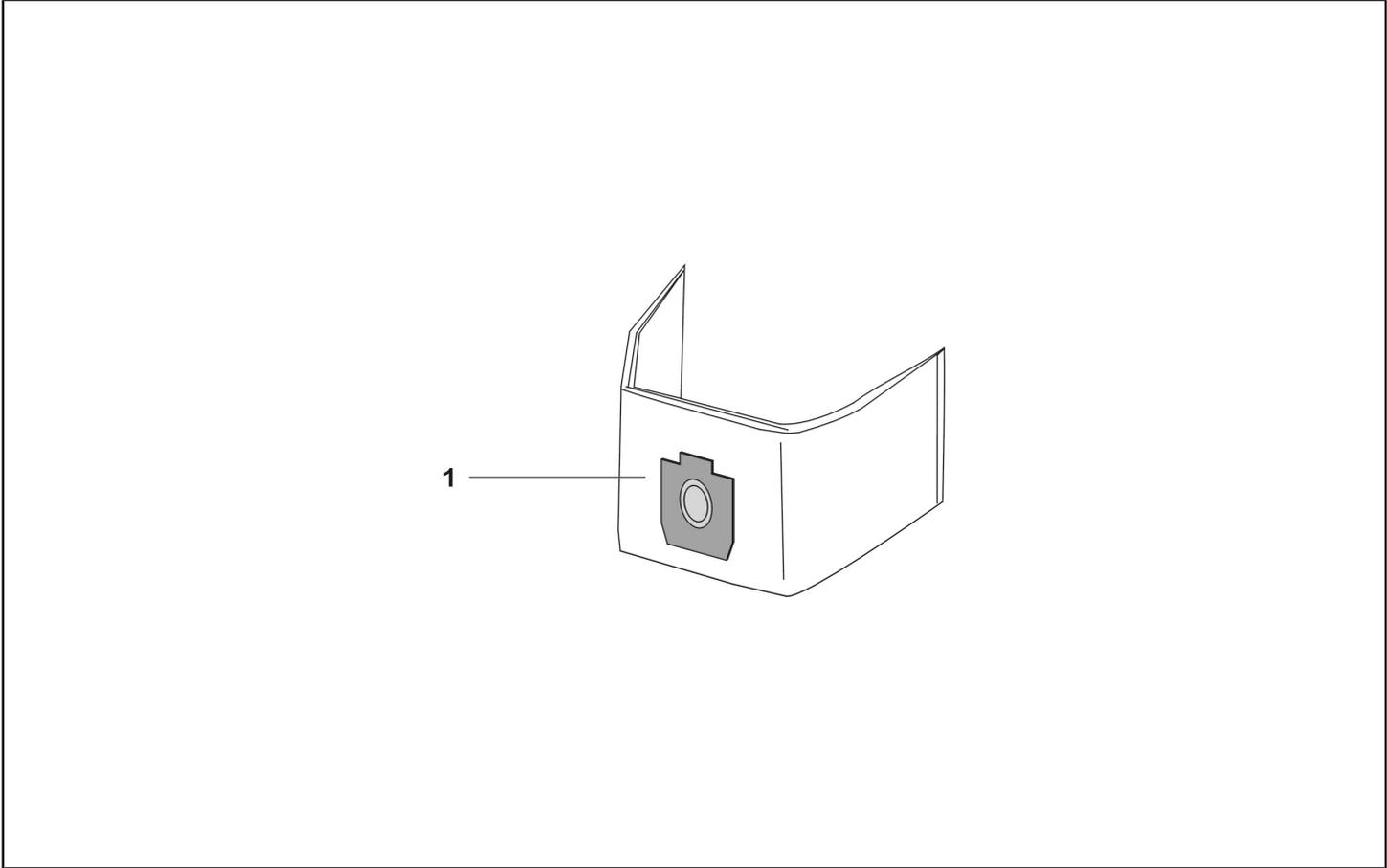
Ref. K	Part N.	Old Ref.	Description	Quantity	Validity		Price
					From	To	
*	MECB35712	01107	WIRE WITH RESISTANCE	1,00			--
*	FSVR00127	01106	CLAMP	4,00			--
*	MECB01829	07632/PI TP1200	WIRING 40CM MOT. POKE-IN-TP 1200	2,00	19/09/2018		--
*	MEVR02569		SHEATH TERMORESTRING. D.70 mm ST	0,12			--
*	MECB02103		CONNEC. WIRES 250-RO-FF2,8X0,5ST-SP6	1,00			--
*	MECB01560	01101 BD	CONN. WIRE C.350-BI-FF-FBC-S1,5	2,00			--
0001	MPVR07934	01474 AURN	SELF-EXTING RED COVER	1,00			--
0002	VTVT72055	01979	SCREW PFU TMT PHL 5X25 ZN BLACK	6,00			--
0003	MPVR09456	02997RN	HANDLE "T" AMST. RED NORMAL	1,00			--
0004	VTVT71961	01006	SCREW PFU TMT PHL 5X20 ZN NERA	2,00			--
0005	MPVR09575	03383 AU	CAP COVER SELF-EXTINGUISHING	1,00	19/03/2019		--
0006	VTVT71960	01005	SCREW PAT TMT PHL 5X14 ZN BLACK	2,00			--
0007	MECB01780	03495/1,5	CLAMP 400-600 2P 1MOT 1,5MMQ RA	1,00			--
0008	METK00047		GROUND PROTECT. 16 A	1,00	15/04/2016		--
0009	MEVR02388		CAP 3/8	1,00	15/04/2016		--
0010	MECE00630	06517	ELECTRONIC CARD 2 RELAYS	1,00			--
0011	VTRS72158	02974	PLAST WASHER	4,00			--
0012	VTVT72055	01979	SCREW PFU TMT PHL 5X25 ZN BLACK	2,00			--
0013	MEVR01794	06493	SPRING BIPOLAR TERMINAL	1,00			--
0014	VTVT01091	02091	SCREW TSP W/ACC. M 3X16 UNI6109	2,00			--
0015	MPVR12331		SPACER PLASTIC D.10 D.6,3X20	2,00	19/03/2019		--
0016	MEVR41831	06241	THERM. PROBE	1,00			--
0017	METK41830	06235	THERMOREGULATOR MAX T.85 C	1,00			--
0018	VTVT72106	02627	SCREW PAT TMT PHL 5X40 BLACK	8,00			--
0019	PMVR05478	03352RN	COVERING 429 BLOWING NORMAL RED	1,00			--
0020	MPVR08090	020093 AU	RING MOTORE H=34 (41) PLAST. A	2,00	19/09/2018		--
0021	VTVT71961	01006	SCREW PFU TMT PHL 5X20 ZN NERA	8,00			--
0022	MPVR08555	021818 AU	MOTOR FASTENER 400 NERO AUTOEST.	1,00			--
0023	GUVR00505	02991 A	ROUND FOAM D.8,5 PER MT.	1,04			--
0024	MPVR38371	03969	WASHER H8 D85X65	2,00			--
0025	GUGO28683	03901	"L" GASKET W/O HOLES H=5,5	2,00			--
0026	MOMO00678	03976/E	MOTOR BD382 1300W 220-240 50/60	2,00	19/09/2018		--
0027	GUGO28683	03901	"L" GASKET W/O HOLES H=5,5	2,00			--
0028	MPVR38058	03519	BASE CAP	1,00			--
0029	PMBAA00599	03108 PRN	BASE 600/400 W/PLA RN COMP	1,00			--
0030	MPVR71996	01351	RING 2"	1,00			--
0031	MPVR12496		FEIGNED MOTOR BLOWING	1,00			--
0032	GUGO28683	03901	"L" GASKET W/O HOLES H=5,5	1,00			--
0033	GUVR72089	02390	GASKET 2"	1,00			--
0034	FSVR72045	01861	HOSE CLAMP D.60	1,00			--
0035	TBFX01023	03684	FLEX HOSE D.58 L=215	1,00			--
0036	RCVR72088	02389	ELBOW 2"	1,00			--
0037	VTVT71961	01006	SCREW PFU TMT PHL 5X20 ZN NERA	4,00			--
0038	MPVR72109	02652 ANE	INLET R 155 BLACK	1,00			--



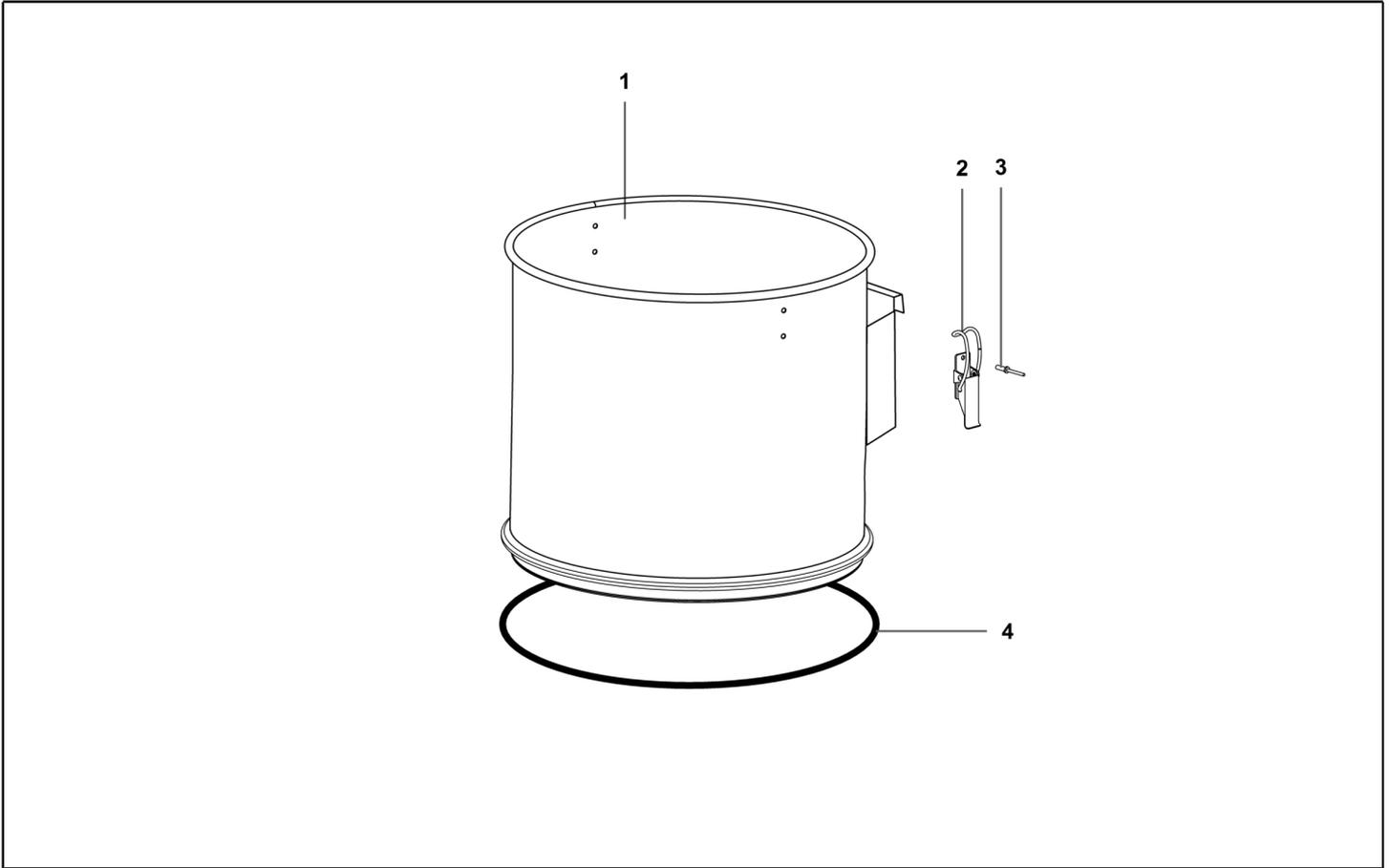
Ref. K	Part N.	Old Ref.	Description	Quantity	Validity		Price
					From	To	
0039	MPVR72143	02887	COUPLING 99	1,00			--
0040	GUGO28701	02846	GASKET D.38	1,00			--
0041	GUGO28736	02586NE	GASKET R 205 BLACK	1,00			--
0042	VTVT71966	01026	SCREW PAT TMT PHL 5X30 BLACK	4,00			--
0043	MECB31445	04062	ELECTRIC CORD 2X1,5 MT.8,5	1,00			--
0044	MEVR28673	00138	FAIRLEAD	1,00			--
0045	MPVR28690	00139	CABLE CLAMP	2,00			--
0046	VTVT71961	01006	SCREW PFU TMT PHL 5X20 ZN NERA	4,00			--



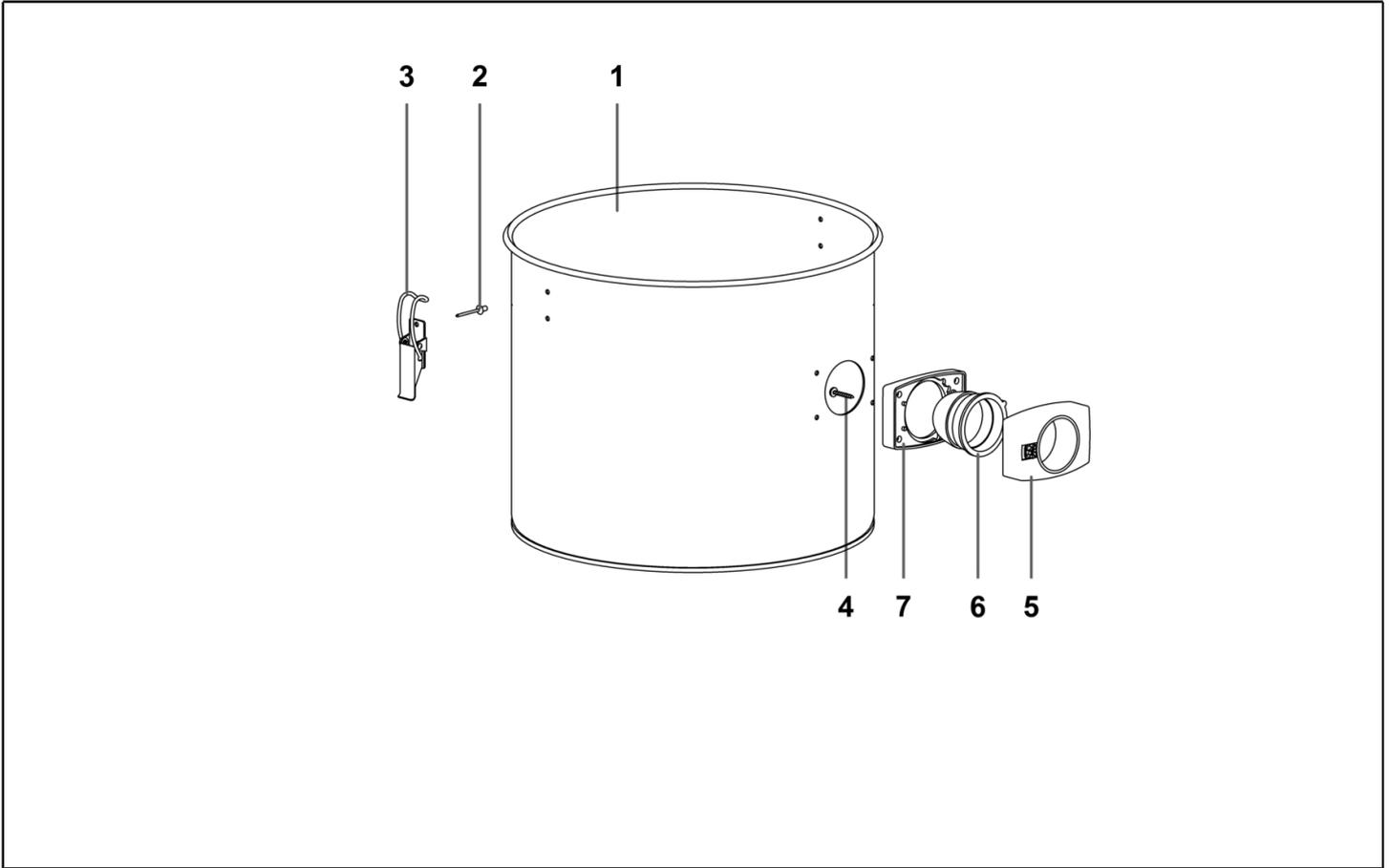
Ref. K	Part N.	Old Ref.	Description	Quantity	Validity		Price
					From	To	
0001	MPVR35807	00473	FILTER RING 400	1,00			--
0002	FTDP72145	02895	CONICAL POLYESTER FILTER 400 LOWER	1,00			--
0003	MPVR72144	02894	CONICAL FILTER 400 LOWER	1,00			--
0004	FVR00148	020206	CLAMP STRINGITUBO D.345-380	1,00			--



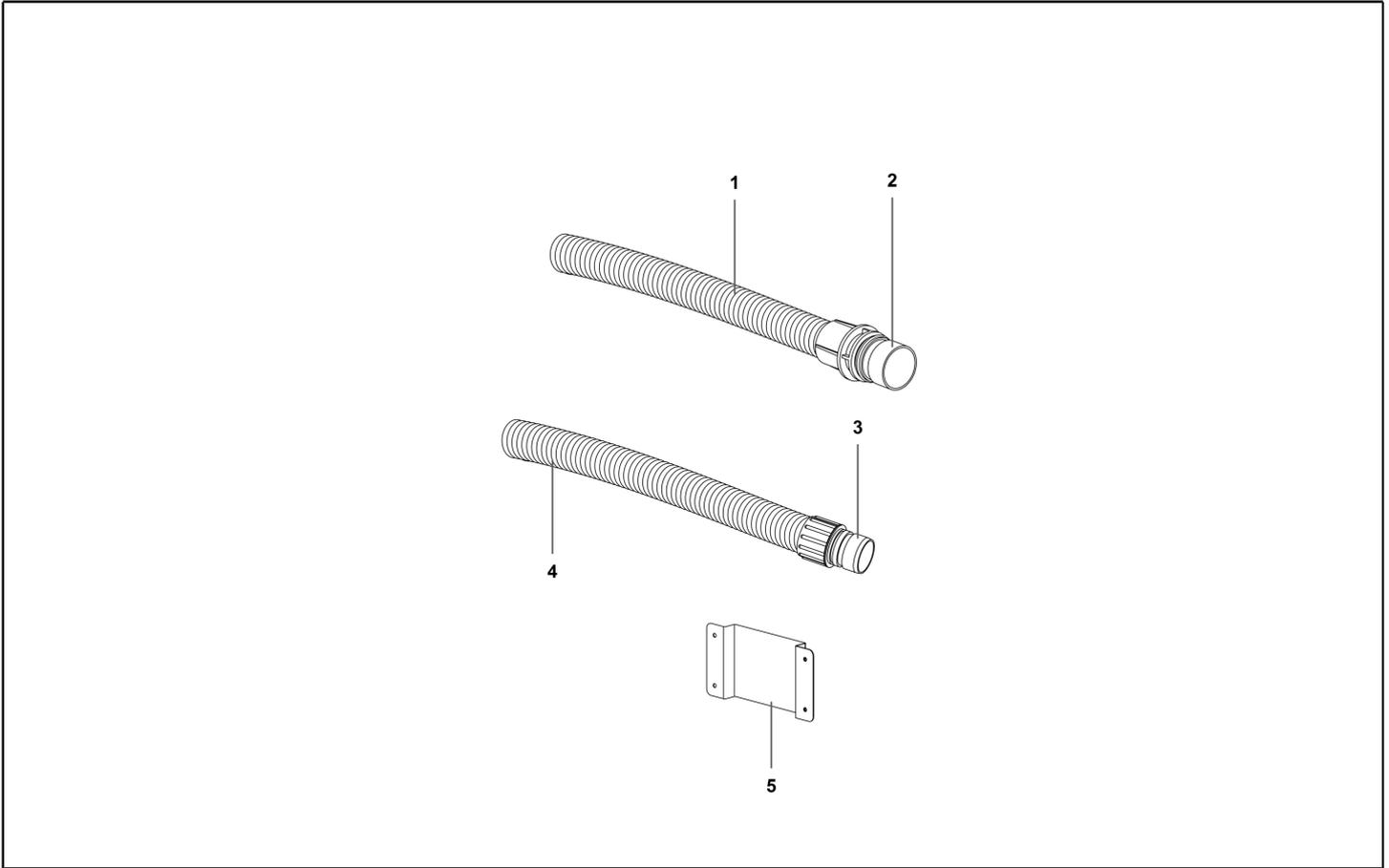
Ref. K	Part N.	Old Ref.	Description	Quantity	Validity		Price
					From	To	
001	FTDP00420	182085	SACK CARTA FOMA X W12-15-35-40	1,00			--
001	FTDP00420	182085	SACK CARTA FOMA X W12-15-35-40	1,00			--



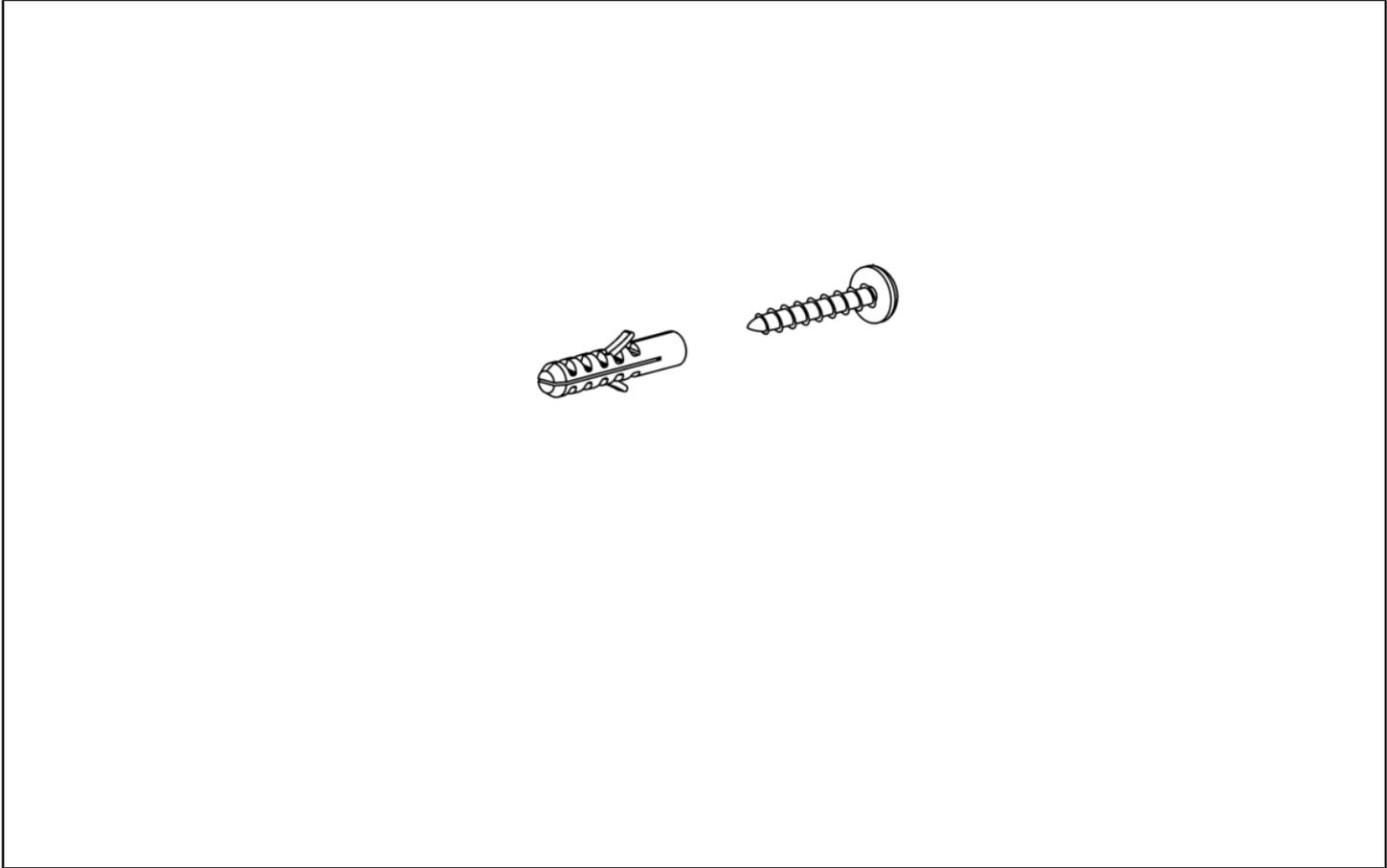
Ref. K	Part N.	Old Ref.	Description	Quantity	Validity		Price
					From	To	
0001	PMVR03906	03397/ST	TANK DEC.400 H=330 S/F G/F45°	1,00			--
0002	CHVR40000	07390	UNIVERSAL METAL HOOK	2,00			--
0003	VTRR71991	01301	RIVET 5X11	4,00			--
0004	GUVR00542	07746	GASKET DEC.600 DIA 7 L=1230	1,00			--



Ref. K	Part N.	Old Ref.	Description	Quantity	Validity		Price
					From	To	
0001	LAFN08297	03357	TANK 400 H=300 AISI 430 D.60 G/F45°	1,00			--
0002	CHVR40000	07390	UNIVERSAL METAL HOOK	2,00			--
0003	VTVR71991	01301	RIVET 5X11	4,00			--
0004	VTVT71966	01026	SCREW PAT TMT PHL 5X30 BLACK	4,00			--
0005	MPVR72129	02762 ANE	COMPLETE INLET 99/60 BLACK	1,00			--
0006	MPVR42004	02767	DEFLECTOR 99/60	1,00			--
0007	GUGO28736	02586NE	GASKET R 205 BLACK	1,00			--



Ref. K	Part N.	Old Ref.	Description	Quantity	Validity		Price
					From	To	
0001	TBFX00586	00520 G55	FLEX HOSE 58 G55 X METER	0,70			--
0002	MPVR41815	02773	COUPLING 99 FOR FLEX HOSE D.58/D.60	1,00			--
0003	MPVR07479	00084 OR	SLEEVE TUBOFLEX D.38/D.38 C/OR	1,00			--
0004	TBFX00558	00082 G55	FLEXIBLE HOSE 38 GR5500 AL METRO	8,00			--
0005	LAFN08246	02649	WALL BRACKET AISI 304 FOR TANK	1,00			--



Ref. K	Part N.	Old Ref.	Description	Quantity	Validity		Price
					From	To	
	KTRI02526	148028	SET FOMA SCREWS + PLUGS	1,00			--
	KTRI02526	148028	SET FOMA SCREWS + PLUGS	1,00			--