

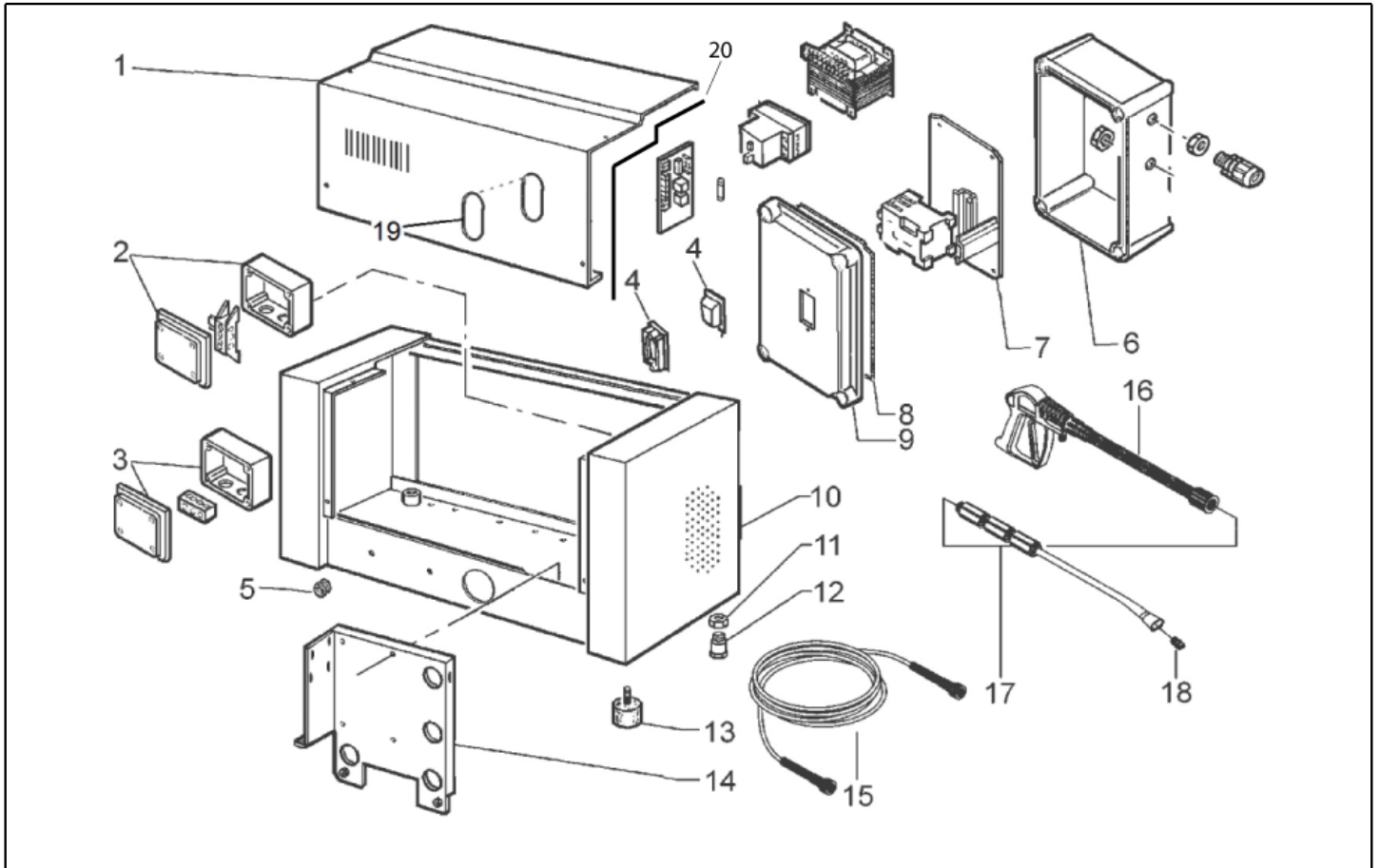


**IPC**

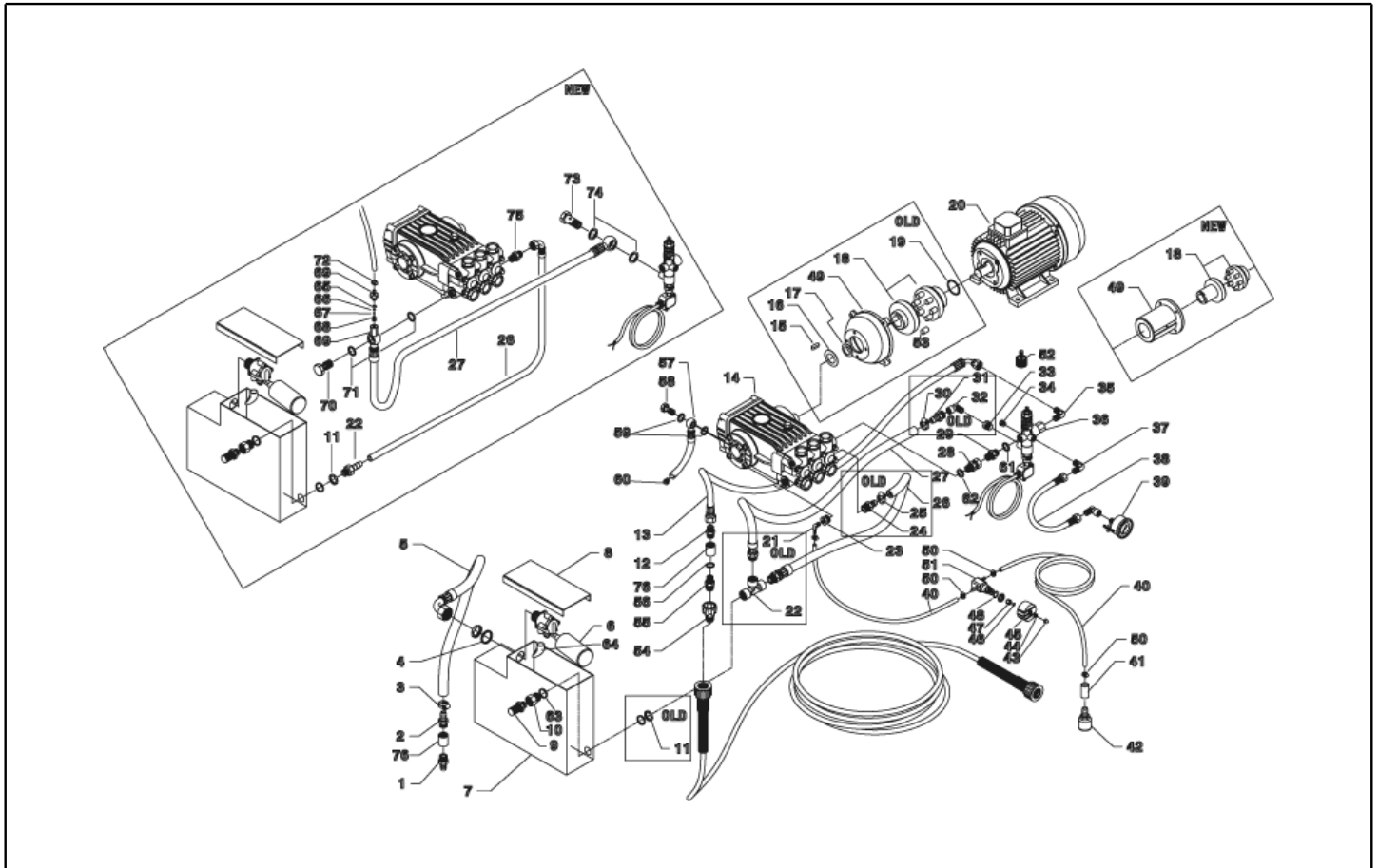
**Spare parts list**

Ref: IDAF40367

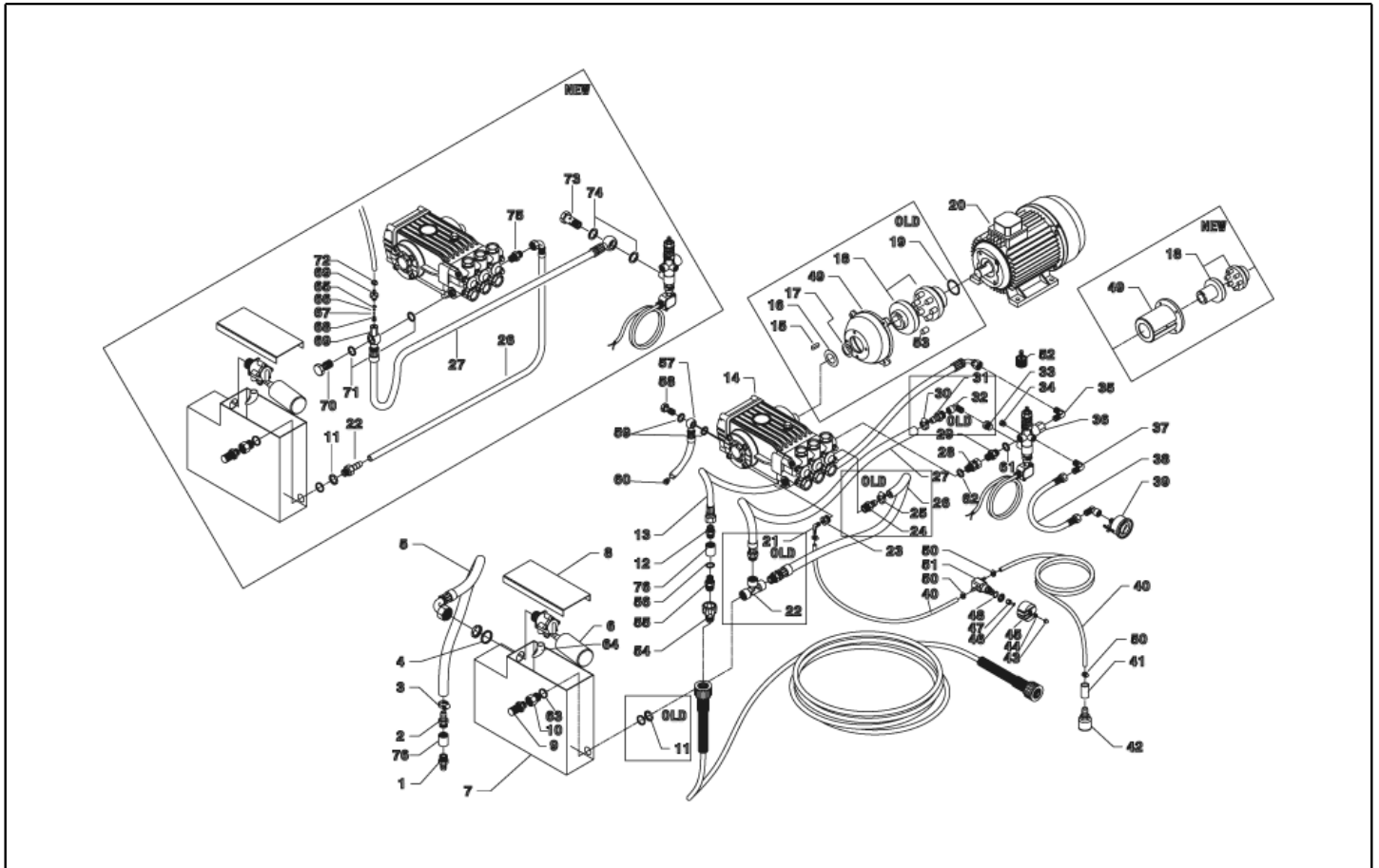
Model: H.P. CLEANER ML-C D1521Pi T 400/50 IPC



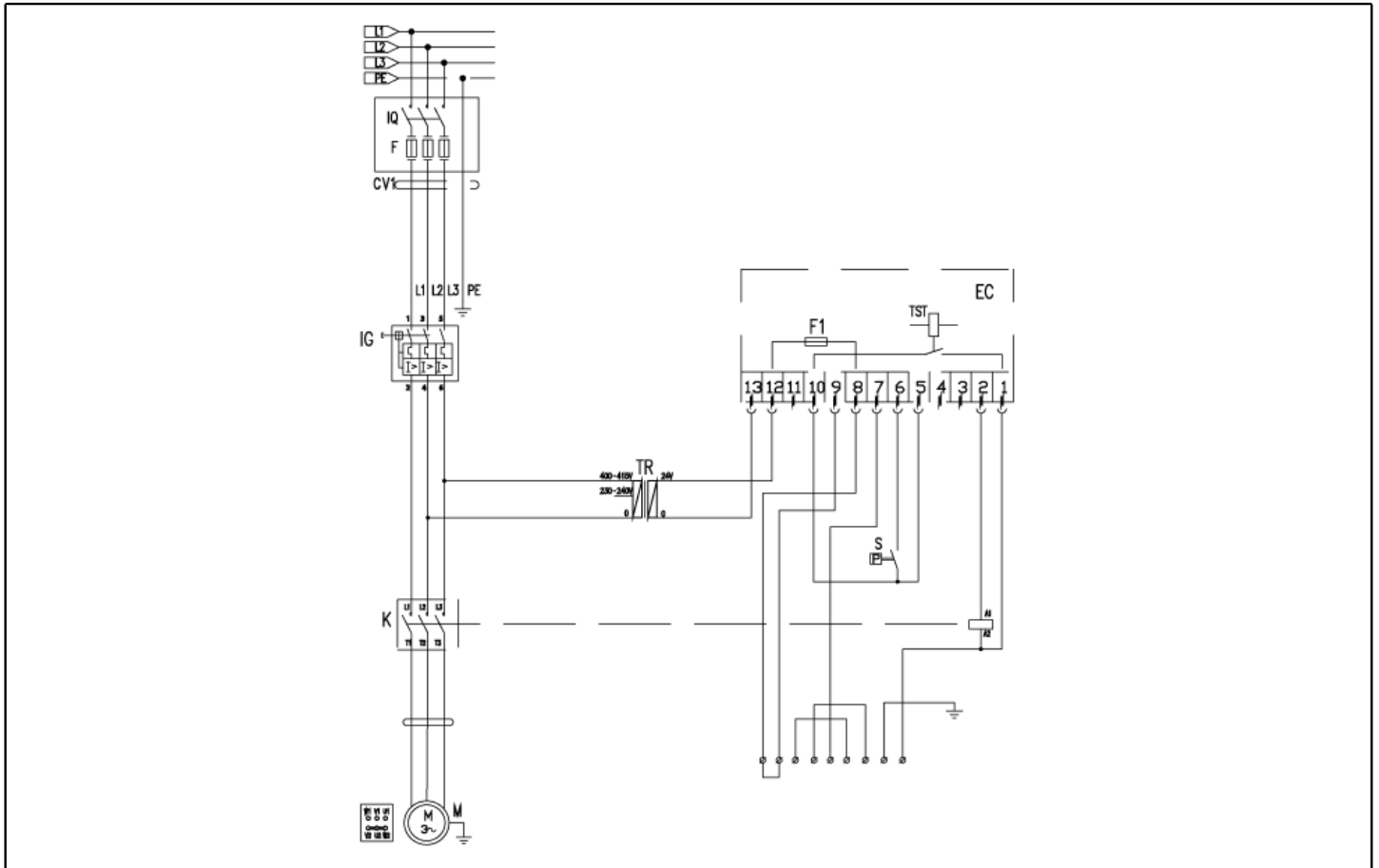
Ref. K	Part n.	Part n. 2	Description	Quantity	Validity		Price
					From	To	
0001	LAFN41577		ANT. PANEL MDS INX	1,00			--
0004	MEVR32332		FRAME IP 55 ISK MS 25	1,00			--
0005	MEVR72910		FAIR-LEAD D.9x18x21 (S518)	1,00			--
0006	MEVR71752		BOX NICO	1,00			--
0007	LAFN40078		PLATE N.ML BK.	1,00			--
0008	GUVR71755		GASKET QUADRO EL.SK	1,00			--
0008	GUVR72924		GASKET 5X5 Q.	0,83			--
0009	MEVR71753		COVER NICO	1,00			--
0010	LAFN40499		FRAME MR 15/150 2V. INOX	1,00	05/04/2012		--
0010	LAFN73841		FRAME MR 15/150 INOX	1,00		04/04/2012	--
0011	MEVR87376		LOCKNUT PG 13	2,00			--
0012	MEVR33994		CABLE FASTNER 4228 B D. 6- 18	1,00			--
0013	ABGO76326		VIBRATION DAMP. CL.40X30-M10X23+M10F 60SH	4,00			--
0014	LAFN40079		BOX SUPPORT N.ML INX	1,00			--
0015	TBAP40010		H.P. HOSE R2 MT 10 3/ 8" C/2 IRV IX	1,00			--
0016	IPPR40002		GRIP G 5000+P.330 +M22 SW.M V	1,00		07/04/2014	--
0016	IPPR40016		GRIP G 5000+P.330 +M22 SW.M V2	1,00	08/04/2014	31/01/2016	--
0016	IPPR40020		GRIP G 6000+P.330 +M22 SW.M V	1,00	01/02/2016	14/06/2018	--
0016	IPPR40025		GRIP G 6000+P.330 +M22 SW.M 2V	1,00	15/06/2018		--
0017	LCPR12976		EXTENSION P 70	1,00		30/11/2016	--
0017	LCPR40087		EXTENSION P 70 -P20.IX700 M22 M	1,00	01/12/2016	31/08/2017	--
0017	LCPR40159		EXTENSION P 70 -P20.IX700 M22 M 0°	1,00	01/09/2017		--
0018	UGLN49997		NOZZLE LECH 1/4 25075	1,00	01/09/2006		--
0019	GUVR00408		EDGE H=14	0,38			--
0020	GUVR13437		EDGE H=10	0,31	21/01/2021		--



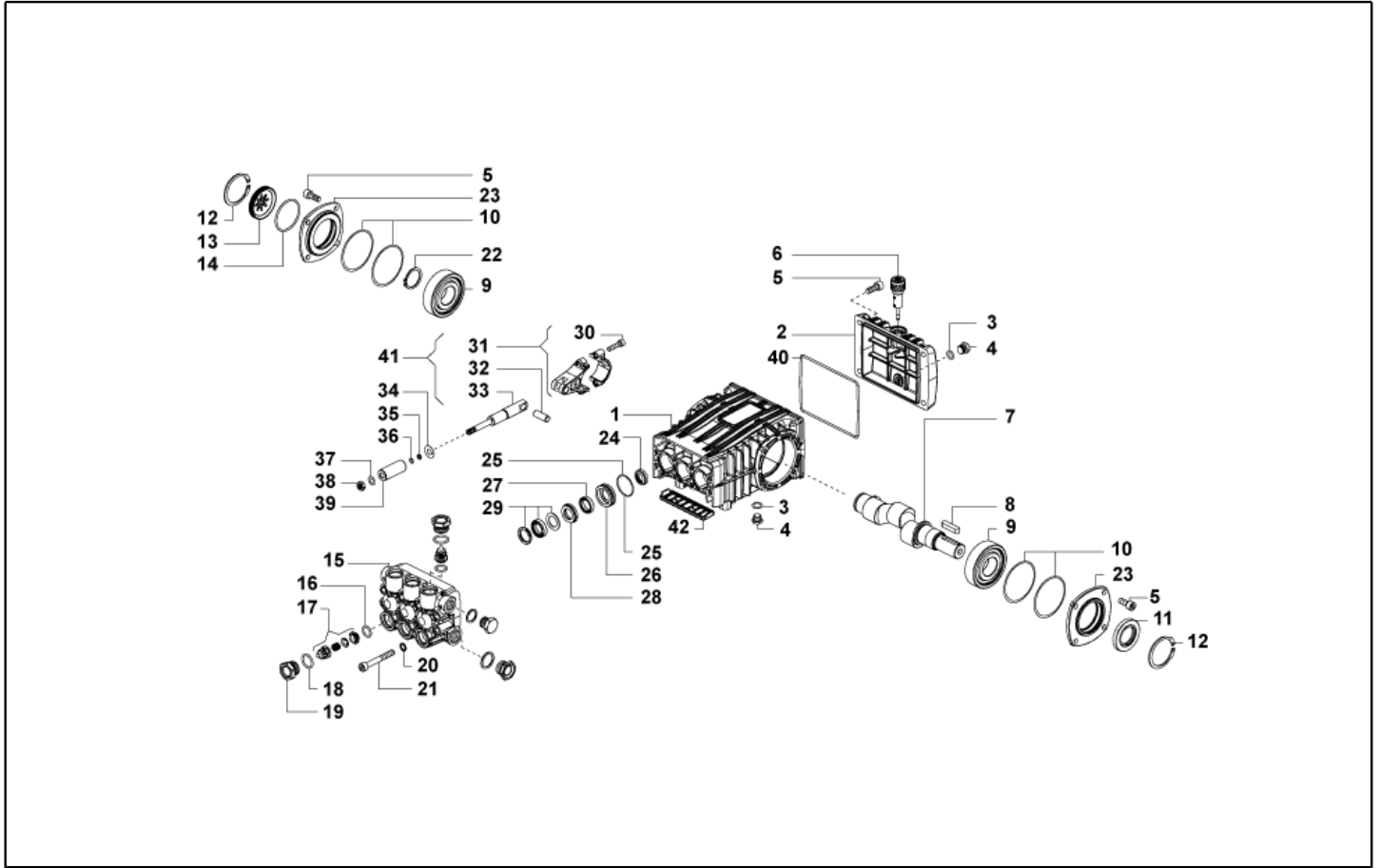
Ref. K	Part n.	Part n. 2	Description	Quantity	Validity		Price
					From	To	
0001	RCDS40138		HOSE FITTING M 20X1.5 D.13-17 OT.	1,00	05/04/2012		--
0001	RCVR73008		HOSE FITTING 1/2 D.17 454/A	2,00		04/04/2012	--
0002	RCVR73008		HOSE FITTING 1/2 D.17 454/A	1,00			--
0003	FSVR00431		CLAMP D. 16-25	1,00			--
0004	RCVR49974		RING NUT 3/4" X 4 NIK	1,00			--
0005	TBBP46847		L.P. HOSE L=300 3/4F 90° -15X26	1,00			--
0006	RCGR39997		FLOATER MTM 3/4G M 10BAR	1,00		30/09/2023	--
0006	RCGR40031		FLOATER MTM FV1-H 3/4 PP. C/F.	1,00	01/10/2023		--
0007	LAFN41582		WATER TANK MDS-MR	1,00			--
0008	LAFN41581		TANK COVER MDS INX	1,00			--
0009	FTAC41585		FILTER G 3/4M INX	1,00			--
0010	RCDS40018		CONNECTOR G 3/4M -3/4F 1/2F C.36 OT	1,00			--
0011	RCDS40575		RING NUT G3/4 OT	1,00			--
0012	RCDS12121		NIPPLE 3/8 - 3/8 SV/CN	1,00		28/02/2021	--
0013	TBAP41590		HOSE-FITTING 3/8 L=500 SAE100 3/8F 90	1,00			--
0014	PPAP40178		PUMP UD BC 21/15 DX 21 -150	1,00	10/07/2023		--
0014	PPAP42347		PUMP WS102 DX LT 21-100 BAR US	1,00		09/07/2023	--
0018	FGGT88467		FLEX. COUPLING P105 HP 9.0 CPL.	1,00			--
0020	MOTR40001		3PH MOTOR B3-B14 HP 7,5 23/400-50 C	1,00			--
0025	FSVR00431		CLAMP D. 16-25	1,00			--
0026	TBBP87602		L.P. HOSE L=350 3/4F 90°-LB.	1,00			--
0027	TBBP15914		BY-PASS HOSE L=390 1/2+C.VL.-1/4OC 90°	1,00	30/05/2014		--
0028	RCVR00563		SWIVEL RACCORD 3/8 M/F	1,00			--
0029	RCDS00610		NIPPLE 3/8 - 3/8 SV	1,00			--
0034	RCVR00659		CAP 1/4 M	2,00			--
0034	VTRS04931		WASHER COPPER D.13X19X1.5	2,00			--
0035	RCVR40590		ELBOW 3/8" M A.P. OT.MTM	1,00			--
0036	VVAZ87716		VALVE ST 261 - SWITCH N.A.	1,00			--
0037	RCVR76217		ELBOW 1/4" M/M A.P. OT.	1,00			--
0038	TBAP40004		POLYAMIDE HOSE L=260 1/4 F-F	1,00			--
0039	MNMN49621		PRESSURE GAUGE 0-250 D.50 INOX	1,00			--
0040	TBBP85832		L.P. HOSE D. 5- 8	2,50			--
0041	RCDS15346		WEIGHT DET.	1,00			--
0042	FTDT04647		FILTER 3/8 F + PG	1,00			--
0045	MPVR40584		KNOB	1,00			--
0047	MPVR74070		INSERT FOR STEAM CRANK	1,00			--
0049	MFVR89552		FLANGE MOTOR H 112 B14-P237 9HP	1,00			--
0050	FSVR72800		CLAMP D 8.3 - 8.8	2,00			--
0050	FSVR11957		CLAMP D. 9.5-12 CLIC	1,00			--
0050	FSVR72800		CLAMP D 8.3 - 8.8	1,00			--
0051	RCGR40583		DETERGENT TAP	1,00			--
0052	ABGO00390		VIBRATION DAMP. 40X30- 2M8X25 -60+5SH	4,00			--
0055	RCDS40139		CONNECTOR M22X1.5-M20X1.5 G3/8 OT.	1,00	05/04/2012		--
0055	RCIN09348		MALE COUPLING 3/8MA L=32	1,00		04/04/2012	--



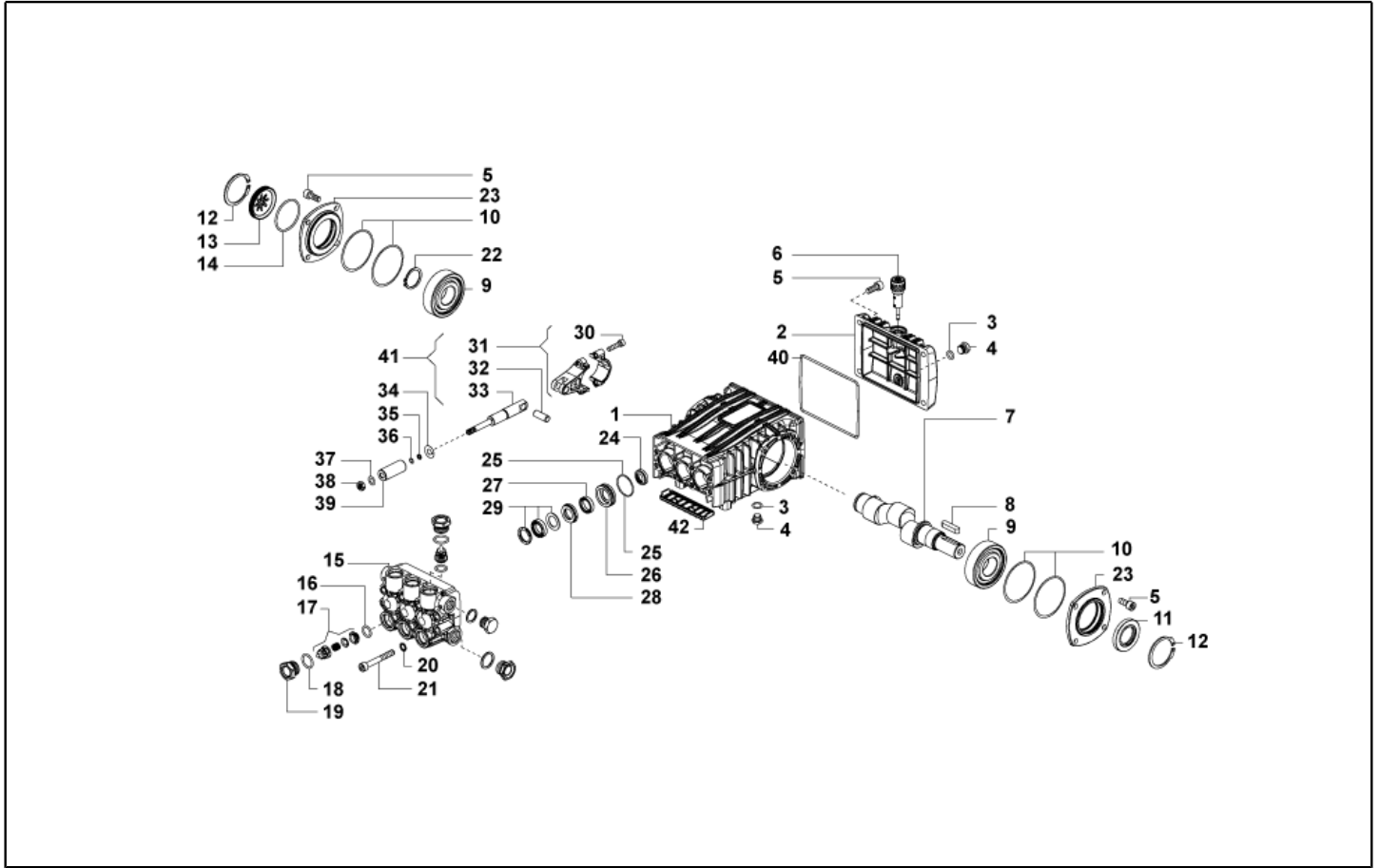
Ref. K	Part n.	Part n. 2	Description	Quantity	Validity		Price
					From	To	
0056	VTRS00548		WASHER D.17,5X23X1,5 (3/8)RM	1,00		04/04/2012	--
0057	TBBP48183		L.P. HOSE L= 350 1/4OC.- 3/8F 0°	1,00			--
0058	RCDS02612		SCREW G 1/4 A.P.	1,00			--
0059	VTRS04931		WASHER COPPER D.13X19X1,5	2,00			--
0060	VTRS00548		WASHER D.17,5X23X1,5 (3/8)RM	1,00			--
0060	GUGO01035		O-RING D. 13.95 X 2.62 NBR 70SH	1,00			--
0060	RCDS28310		CAP 3/8 M PLS	1,00			--
0061	VTRS00548		WASHER D.17,5X23X1,5 (3/8)RM	1,00			--
0063	GUGO01044		O-RING D. 26.58 X 3.53 NBR 70SH	1,00			--
0064	RCVR72828		ELBOW	1,00			--
0065	GUGO01036		O-RING D. 10.82 X 1.78 NBR 70SH	1,00	30/05/2014		--
0066	GUGO01055		O-RING D. 5.28 X 1.78 VIT 70SH	1,00	30/05/2014		--
0067	SFVR04274		BALL D. 7/32	1,00	30/05/2014		--
0068	MLML21505		SPRING D. 8 X5 X0.3	1,00	30/05/2014		--
0069	RCDS10546		VALVE SEAT 1/4M + PG. D.3-7.5 OTT	1,00	30/05/2014		--
0070	RCDS40094		SCREW G 1/2 D.8 INX	1,00	01/10/2011		--
0071	VTRS12491		WASHER 1/2	2,00		30/11/2015	--
0071	VTRS40027		WASHER 1/2 ZC + NBR 85SH	2,00	01/12/2015		--
0073	RCDS40095		SCREW G 1/4 A.P. INX	1,00	01/10/2011		--
0074	VTRS12821		WASHER D.14X18,7X1,25 1/4 GM	2,00			--
0075	RCDS40026		NIPPLE 3/4 - 1/2 CB D. 9.5	1,00			--
0076	RCDS40140		RING NUT M 20X 1.5 CH.24 X8 OT.	2,00	15/12/2012		--
0076	RCDS40140		RING NUT M 20X 1.5 CH.24 X8 OT.	1,00	05/04/2012	14/12/2012	--



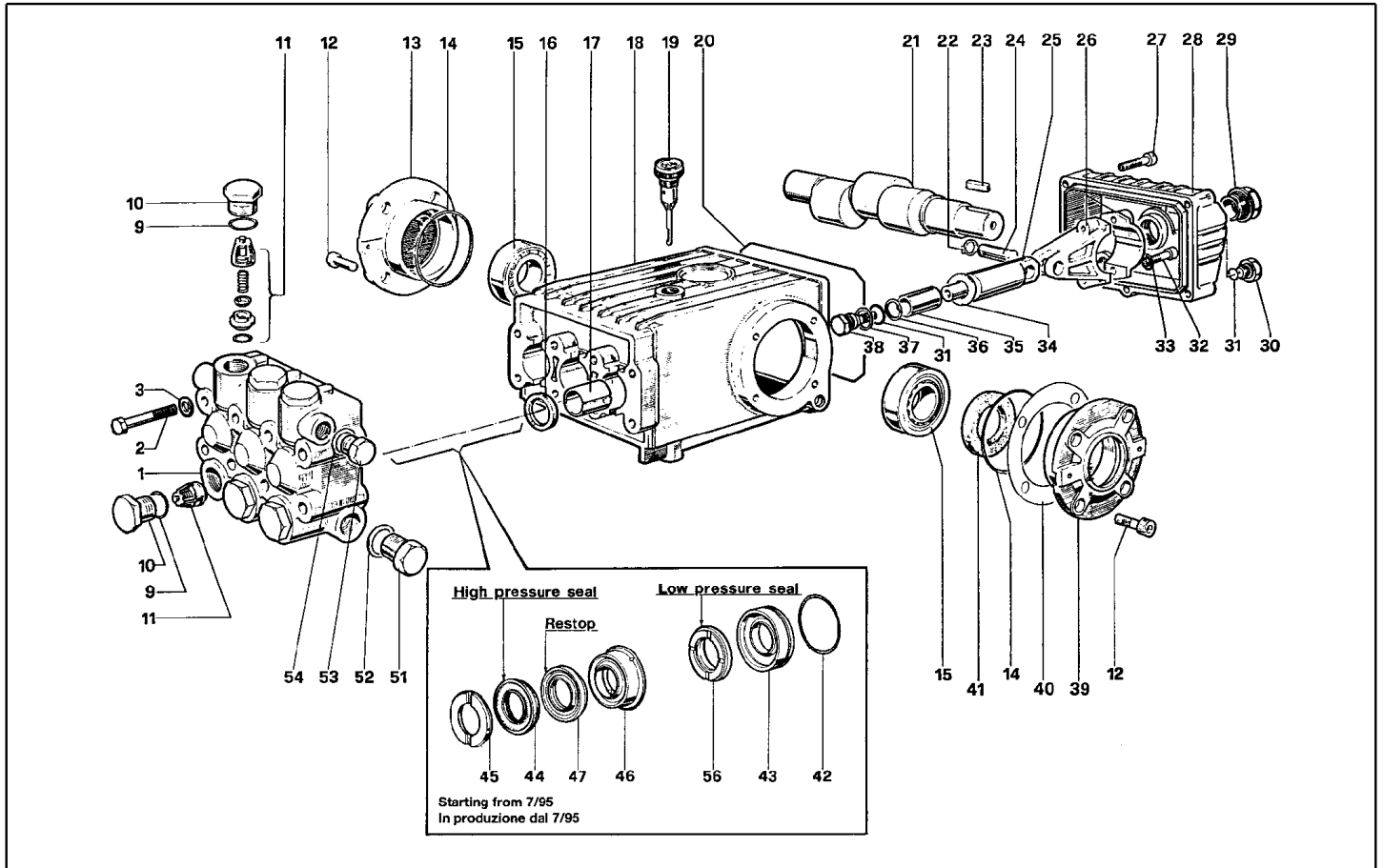
Ref. K	Part n.	Part n. 2	Description	Quantity	Validity		Price
					From	To	
K	METT40014		CONTACTOR SIE 3RT 2018-1AB01 24V	1,00	01/12/2014		--
K	METT40633		CONTACTOR CGE CL 02A 310T1 24V 5/60	1,00		30/11/2014	--
EC	MECE41579		PCB MDS T-ST.	1,00			--
IG	MECI71645		SWITCH WMX MS 25 10-16 A	1,00			--
TR	METR40003		TRANSFORMER 35VA 230-400/24 5/60HZ PM	1,00	05/02/2008		--
CV1	MECB17416		CABLE H07 RNF 4X2.5 L=5.500	1,00			--



Ref. K	Part n.	Part n. 2	Description	Quantity	Validity		Price
					From	To	
0001	MFVR40119		PUMP CRANKCASE B/BK	1,00			--
0002	MFVR40118		CRANKCASE COVER "B/BK" PST.	1,00			--
0003	GUGO28927		O-RING D. 9.13 X 2.62 NBR 70SH	2,00			--
0004	PVVR40620		CAP 1/4 M PKC	2,00			--
0005	VTVT29810		SCREW TCEI M 8X20 UNI 5931	12,00			--
0006	PVVR40640		OIL CAP B/BC	1,00			--
0007	ALMO40059		SHAFT B/BK 21 D.24 UD	1,00			--
0008	VTVR41531		KEY 8X 7X35 UNI 6604A	1,00			--
0009	CUVR40030		BALL BEARING D.30	2,00			--
0010	GUGO40127		O-RING D. 68 NBR 70SH	4,00			--
0011	GUGO40125		OIL SEAL D. 30 BC	1,00			--
0012	VTAE17056		CIRCLIP D. 52 UNI 7435	2,00			--
0013	PVVR40636		OIL INDICATOR B/BK	1,00			--
0014	GUGO02267		O-RING D. 44.12 X 2.62 NBR -70SH	1,00			--
0015	MFVR40121		HEAD B OT.	1,00			--
0016	S GUGO01035		O-RING D. 13.95 X 2.62 NBR 70SH	6,00			--
0017	S VVAM40016		VALVE UNIT PK/MPKW	6,00			--
0018	GUGO03502		O-RING D. 17.86 X 2.62 NBR 70SH	6,00			--
0019	PVVR40621		CAP PK/B D.15/18/20 OT	6,00			--
0020	VTRS14242		WASHER D. 8.4X13X0.8 UNI7064 SCH	8,00			--
0021	VTVT01121		SCREW TCEI 8X60 UNI5931	8,00			--
0022	VTAE00053		CIRCLIP D. 30 UNI 7437	1,00			--
0023	MFVR40120		FLANGE "B/BK"	2,00			--
0024	GUGO40122		OIL SEAL D. 15 PKC	3,00			--
0025	S GUGO01039		O-RING D. 31.47 X 1.78 NBR 70SH	3,00			--
0026	S PVVR40638		PACKING RETAIN. D. 18 "B/BC"	3,00			--
0027	S GUVR40135		PACKING D. 18 UD	3,00			--
0028	S PVVR40635		INTERMED. RING D. 18 B/BK	3,00			--
0029	S PVVR40617		HEAD RING D. 18 PK/M	3,00			--
0030	VTVT01532		SCREW TE 6X25 UNI5739	6,00			--
0031	BLVR40015		CONNECTING ROD B/BK AL	3,00			--
0032	PVVR40639		GUDGEON D. 10X27 B/BK	3,00			--
0033	PVVR40634		PISTON GUIDE B/BK	3,00			--
0034	S PVVR40616		DISC PN/PK	3,00			--
0035	S GUVR40136		ANTI-EXTR.RING D. 5.2X 8 X1.5 UD	3,00			--
0036	S GUGO08071		O-RING D. 4.48 X 1.78 NBR 70SH	3,00			--
0037	S VTRS19394		WASHER D. 8X13X0.5	3,00			--
0038	S VTDD40022		NUT SERR. PN/PK	3,00			--
0039	PIVR40029		PISTON D.18 B/BC CER.	3,00			--
0040	GUGO40126		O-RING D. 126.67 X 2.62 NBR 70SH	1,00			--
0041	BLVR40016		CONNECTING ROD B/BK AL CP.	3,00			--
0042	PVVR40637		COVER B/BK	1,00			--

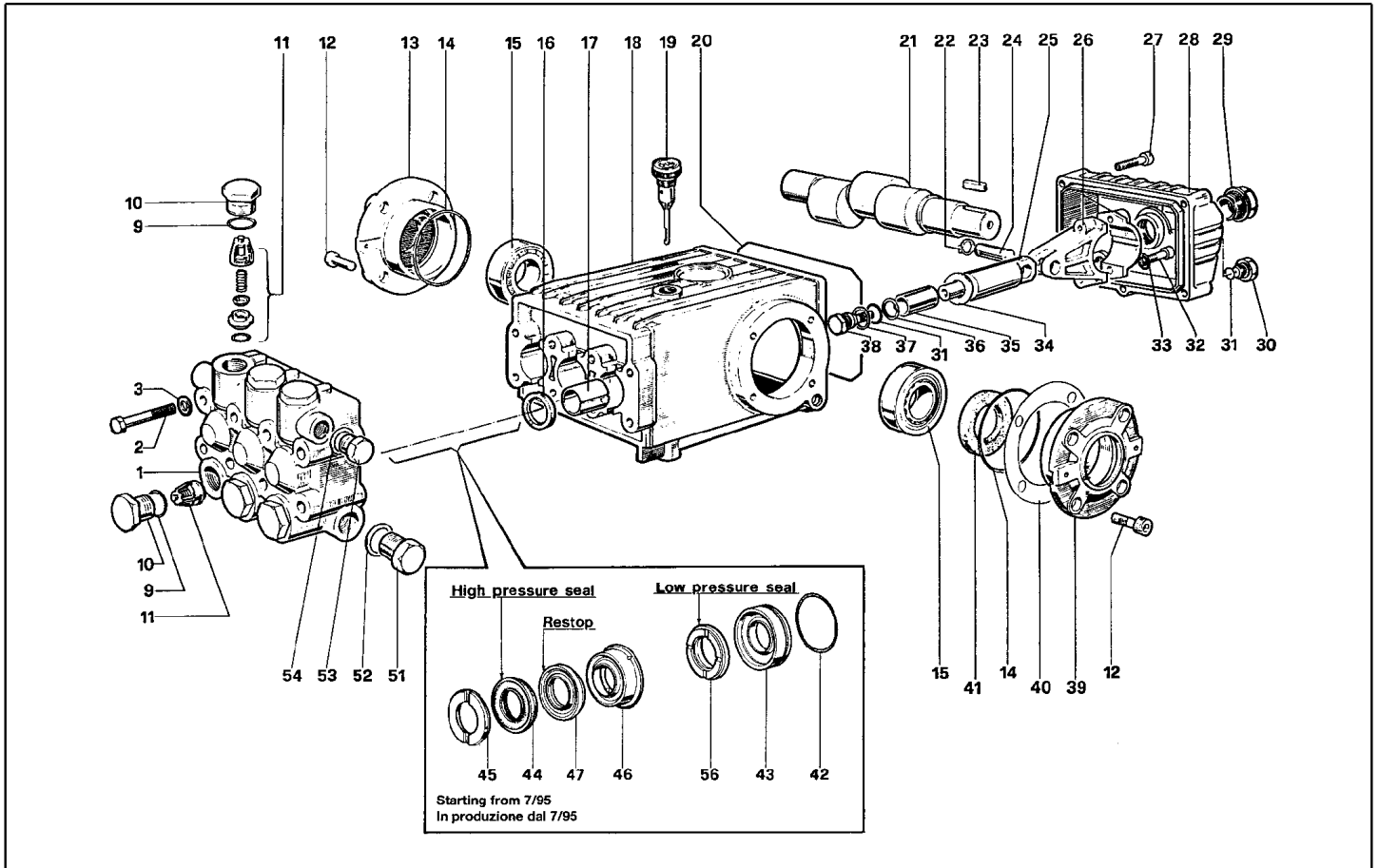


Ref. Part n.	Part n. 2	Description	Reference	Price
KTRI40617		KIT N. 2 GR.VAM	0016 0017	--
KTRI40626		KIT N.28 D.18	0025 0027 0029	--
KTRI40627		KIT N.206 B/BK D.18	0034 0035 0036 0037 0038	--
KTRI40628		KIT N.208 BK.RING D.18	0025 0026 0028	--

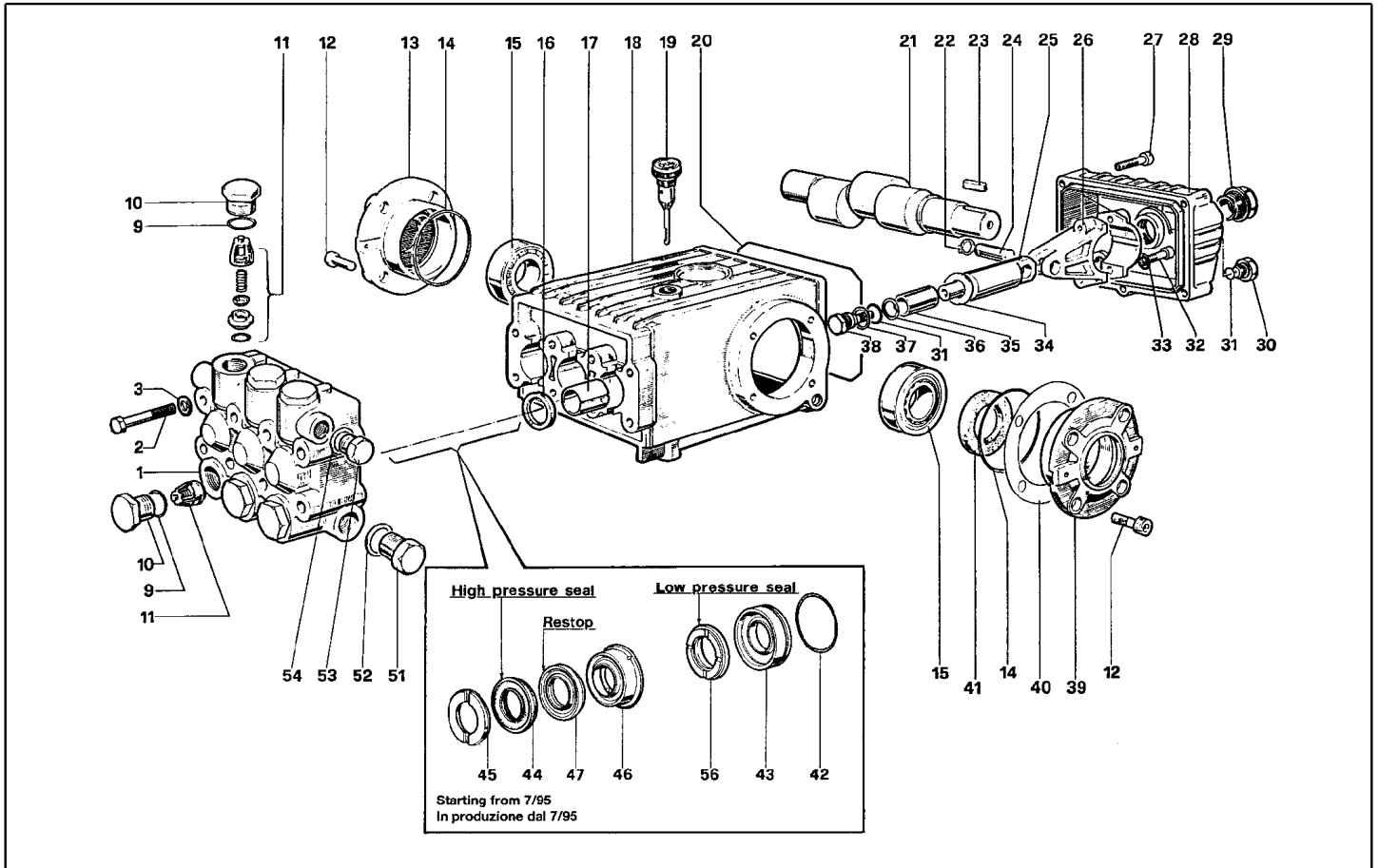


Ref. K	Part n.	Part n. 2	Description	Quantity	Validity		Price
					From	To	
0001	MFVR01097		HEAD W 151	1,00			--
0002	VTVT01111		SCREW TE M 8X70 UNI 5737 A.10.9	8,00			--
0003	VTRS01072		WASHER D. 8 TC	8,00			--
0009	S GUGO01033		O-RING D. 20.24 X 2.62 NBR 90SH	6,00			--
0010	S RCDS01087		CAP M24X2X16 OTT	6,00			--
0011	S VVAM01104		VALVE UNIT W 70-151	6,00			--
0012	VTVT01118		SCREW TCEI M 8X16 ZC. UNI 5931	8,00			--
0013	MFVR03576		CRANKASE COVER W151	1,00			--
0014	GUGO01041		O-RING D. 67.95 X 2.62 NBR 70SH	2,00			--
0015	CUVR09205		ROLLER BEARING 32206 A	2,00			--
0016	S GUGO01000		OIL SEAL 22X 32X 5 NBR70	3,00			--
0017	PVVR01011		BUSHING W 151	3,00			--
0018	MFVR01013		PUMP CRANKCASE W 151	1,00			--
0019	PVVR01092		OIL DIPSTICK W 151	1,00			--
0020	GUGO34590		O-RING D. 133.02 X 2.62 NBR 70SH	1,00			--
0021	ALMO41529		SHAFT TS 1521 USA	1,00			--
0022	VTAE14016		CIRCLIP D. 12 UNI 7435	6,00			--
0023	VTVR41531		KEY 8X 7X35 UNI 6604A	1,00			--
0024	PVVR01085		GUDGEON D.13X35 W151	3,00			--
0025	PVVR01029		PISTON GUIDE W 151	3,00			--
0026	BLVR01009		CONNECTING ROD W 151	3,00			--
0027	VTVT01116		SCREW TCEI 6X30 UNI5931	5,00			--
0028	MFVR03582		CRANKASE COVER W 151 POS	1,00			--
0029	PVVR01083		OIL INDICATOR G 3/4 W70-151	1,00			--
0030	RCDS01088		CAP 1/4X 9 M WW90	1,00			--
0031	S GUGO01036		O-RING D. 10.82 X 1.78 NBR 70SH	4,00			--
0032	VTVT01120		SCREW TCEI 8X35 UNI5931	6,00			--
0033	VTRS14242		WASHER D. 8.4X13X0.8 UNI7064 SCH	6,00			--
0034	S VTRS01753		WASHER D.14X28 X0,5	3,00			--
0035	PIVR01066		PISTON D.20X50 W 151	3,00			--
0036	S GUVR00994		ANTI-EXTR.RING W151	3,00			--
0037	S VTRS01076		WASHER D.14X18,5X0,5	3,00			--
0038	S PVVR01107		PISTON BOLT IP W151	3,00			--
0039	MFVR03583		CRANKASE COVER W151	1,00			--
0040	PVVR01016		THICKNESS 0,1 W 151	2,00			--
0041	S GUGO01003		OIL SEAL 30X 55X 7 NBR70	1,00			--
0042	S GUGO01042		O-RING D. 34.6 X 1.78 NBR 70SH	3,00			--
0043	S PVVR00977		PACKING RETAIN. W151	3,00			--
0044	S GUVR00981		PACKING W151	3,00			--
0045	S PVVR00985		HEAD RING W151	3,00			--
0046	S PVVR34589		INTERMED. RING W 151 D. 20	3,00			--
0047	S GUVR34587		PACKING D. 20 RESTOP	3,00			--
0051	RCDS01091		CAP 1/2X10 M	1,00			--
0052	VTRS01075		WASHER D.21,5X27 ALL	1,00			--

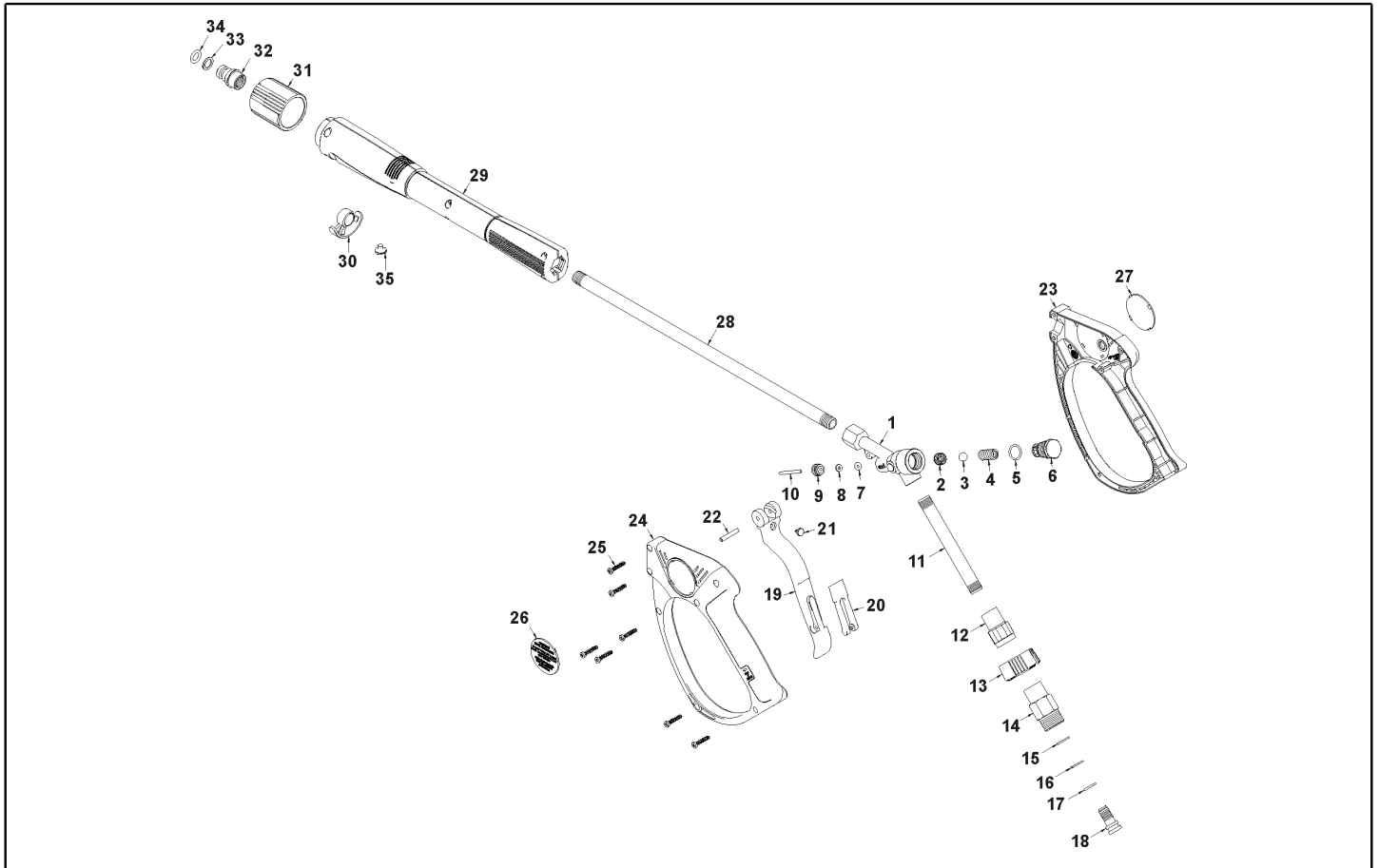




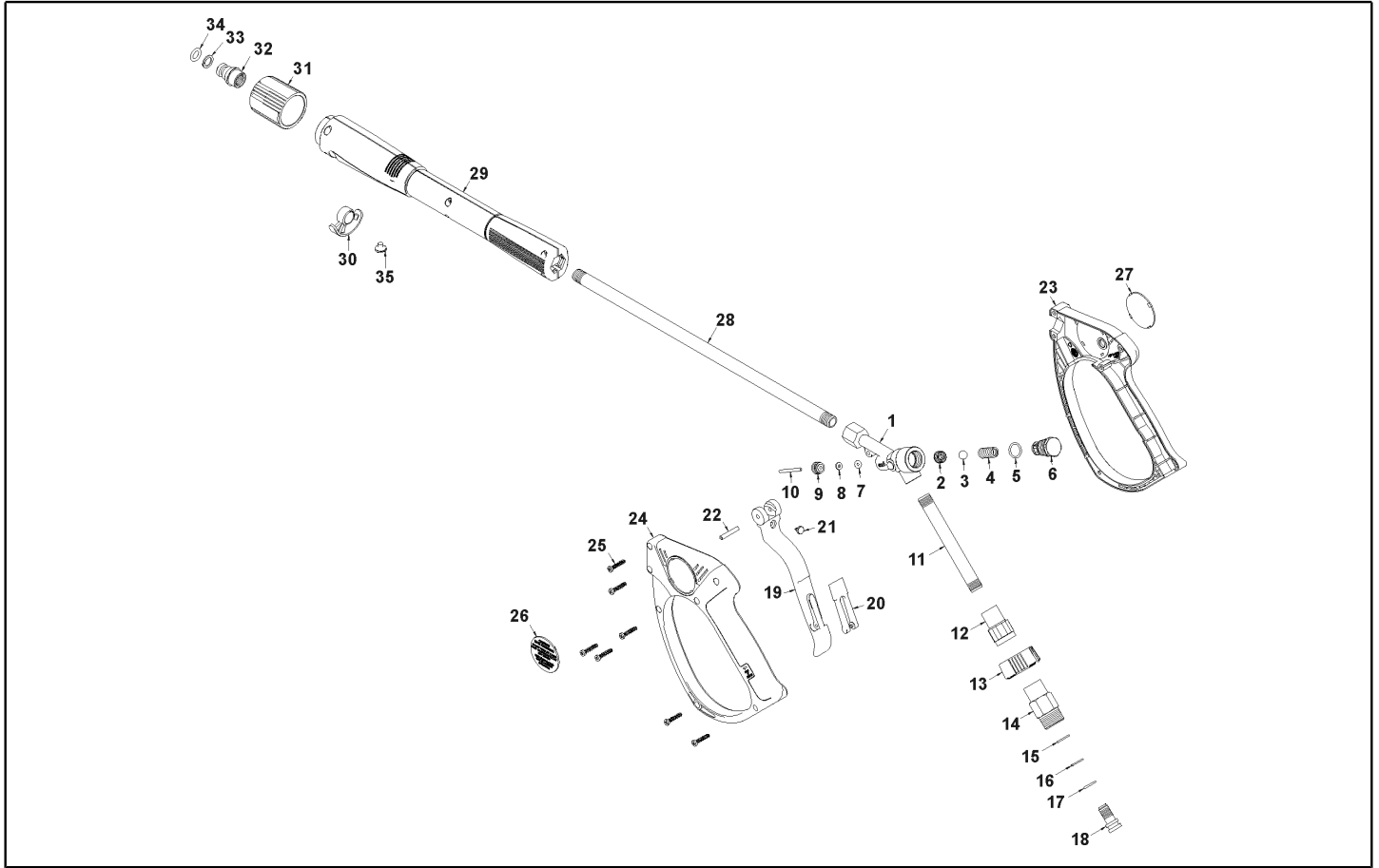
Ref. K	Part n.	Part n. 2	Description	Quantity	Validity		Price
					From	To	
0053	RCDS01090		CAP 3/8X13 M WW90	1,00			--
0054	VTRS01074		WASHER D.17,05X22,3 X1,5	1,00			--
0056	S	GUVR34585	PACKING W 151 L.P.	3,00			--



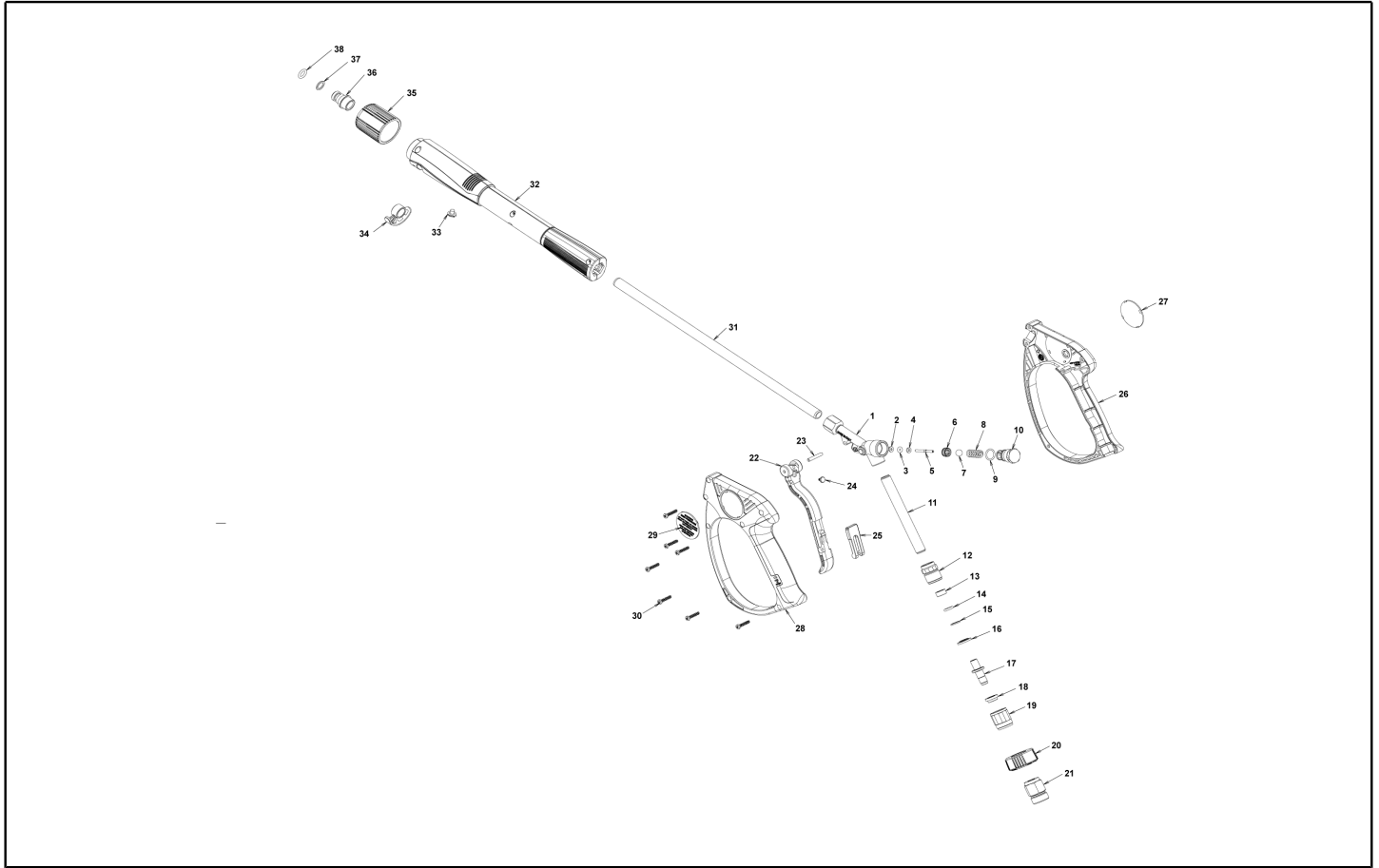
Ref. Part n.	Part n. 2	Description	Reference	Price
KTRI17795		KIT P 4	0009 0010	--
KTRI17859		KIT P 1	0011	--
KTRI17860		KIT P 15- 2	0016	--
KTRI17793		KIT P 6	0031 0034 0036 0037 0038	--
KTRI14900		KIT P 15- 3	0041	--
KTRI14901		KIT P 10	0042 0043	--
KTRI18579		KIT P 28	0042 0043 0044 0045 0046 0047 0056	--
KTRI18574		KIT P 7	0045	--
KTRI36927		KIT P 69	0044 0047 0056	--
KTRI35429		KIT P 71	0046 0047	--



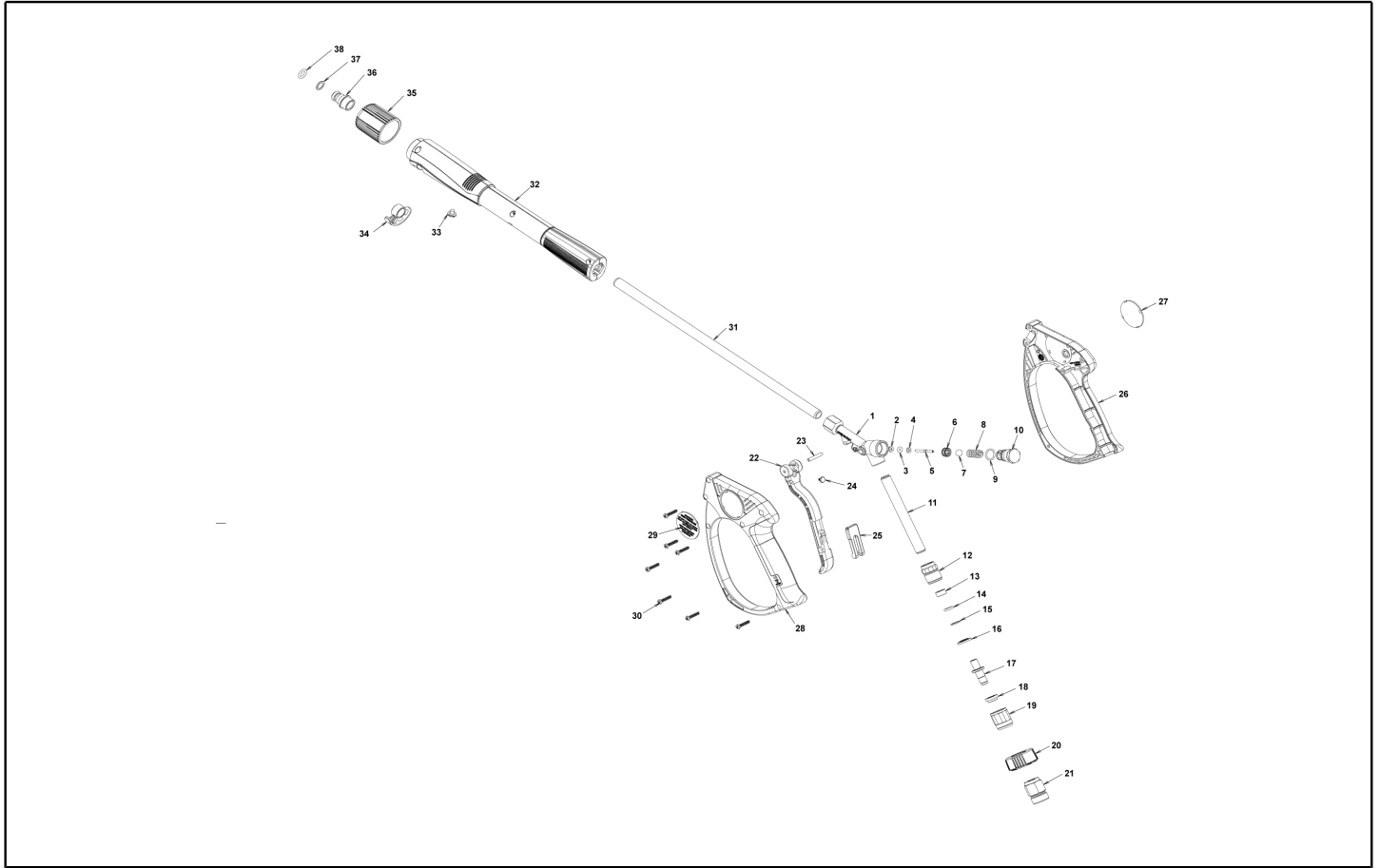
Ref. K	Part n.	Part n. 2	Description	Quantity	Validity		Price
					From	To	
0001	PVVR40111		GUN BODY G 5000 G1/4F	1,00			--
0002	S	PVVR40112	BALL SEAT G 5000	1,00			--
0003	S	SFVR06779	BALL INOX 11/32	1,00			--
0004	S	MLML40016	SPRING D. 9.4 x21.5x1.6 G5000	1,00			--
0005	S	GUGO21841	O-RING D. 12.42 X 1.78 NBR 90SH	1,00			--
0006		PVVR40113	CAP G 5000	1,00			--
0007	S	GUGO17952	O-RING D. 2.84 X 2.62 NBR 70SH	1,00			--
0008	S	GUVR40032	ANTI-EXTR.RING D. 3	1,00			--
0009	S	PVVR40114	PISTON GUIDE G 5000	1,00			--
0010	S	PVVR40115	SMALL PISTON G 5000	1,00			--
0011		PVVR40116	TUBE G 1/4" L.110	1,00			--
0012		RCIN40007	CONNECTOR SWIV G5000 1/4F	1,00			--
0013		MPVR40190	RING NUT G 5000 SW.	1,00			--
0014		RCIN40008	JOINT SWIV 5000 M22	1,00			--
0015	S	PVVR40117	RING SW. G 5000	1,00			--
0016	S	GUVR40033	ANTI-EXTR.RING D. 11	1,00			--
0017	S	GUGO01036	O-RING D. 10.82 X 1.78 NBR 70SH	1,00			--
0018		PVVR40118	SCREW SW. G 5000	1,00			--
0019		MPVR40191	TRIGGER G 5000-SW	1,00			--
0020		MPVR40192	SAFETY-DEVICE G 5000-SW	1,00			--
0021		PVVR45053	PAWL G 2100 INX	1,00			--
0022		VTVR40008	PLUG D. 3 G5000	1,00			--
0023		MPVR40193	SHELL G 5000-SW 2PZ.	1,00			--
0024		MPVR40193	SHELL G 5000-SW 2PZ.	1,00			--
0025		VTVT62984	SCREW TC-CR M 4.2 X19 ZN	7,00			--
0026		MPVR40194	PLATE G 5000 GR.	1,00			--
0027		MPVR40194	PLATE G 5000 GR.	1,00			--
0028		LCPR40015	TUBE 1/4 L=370 ZC. 0°	1,00			--
0029		MPVR40195	PROTECTION P 370 MV	1,00			--
0030		MPVR40197	CAP G 5000 FIX.	1,00			--
0031		PVVR40119	CONNECTION M22X1.5 IRV G5000	1,00			--
0032		RCIN40009	GUDGEON G 1/4 F IRV G5000	1,00			--
0033	S	GUVR40034	ANTI-EXTR.RING D. 10 X14	1,00			--
0034	S	GUGO28927	O-RING D. 9.13 X 2.62 NBR 70SH	1,00			--
0035		MPVR40198	CAP G 5000	1,00			--



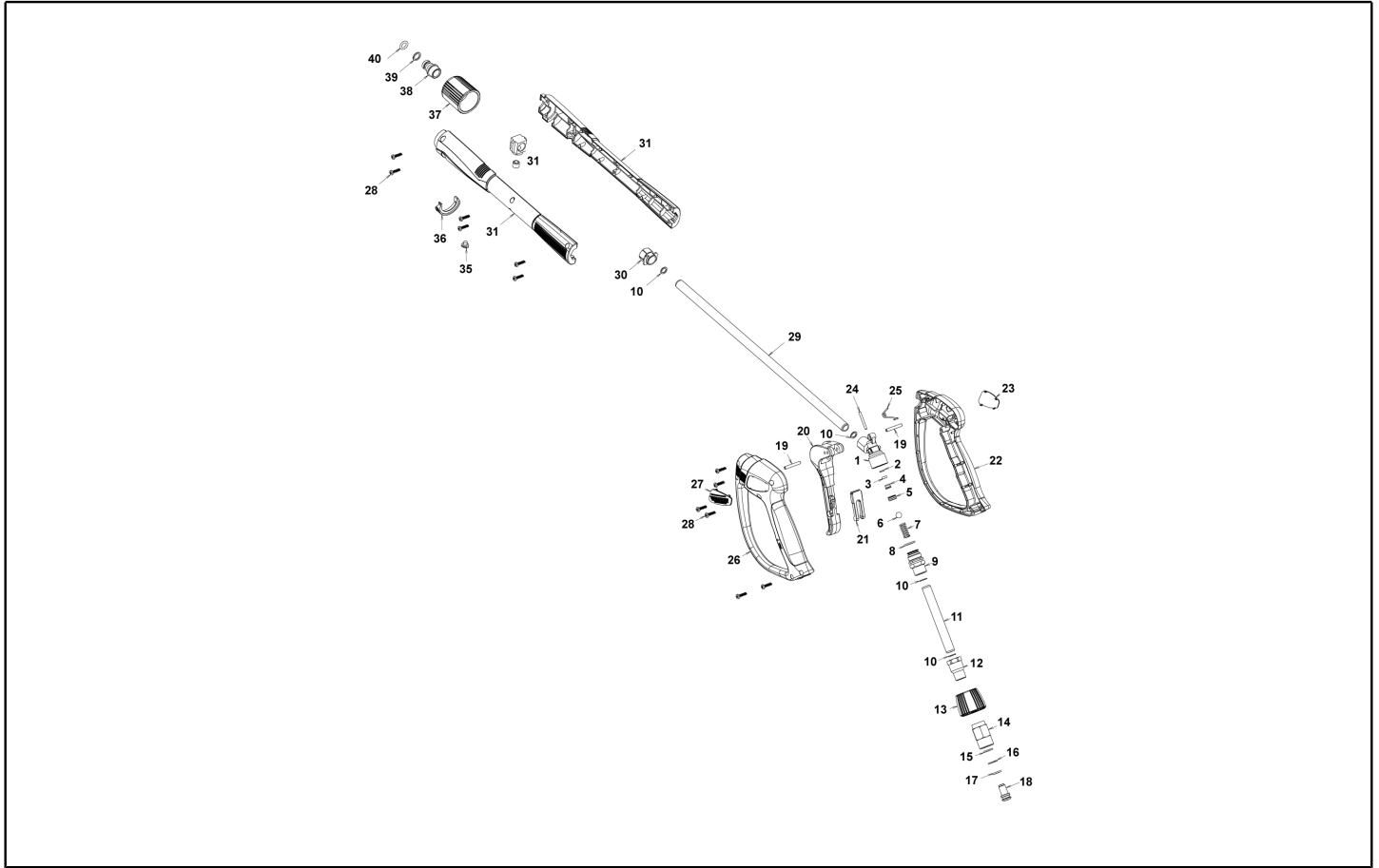
Ref. Part n.	Part n. 2	Description	Reference	Price
KTRI40090		KIT P 26- 23 G 5000-SW	0002 0003 0004 0005 0008 0009 0010 0015 0016 0017 0033 0034 0007	--
KTRI40091		KIT P 33- 13 OR G5000-SW	0033 0034	--



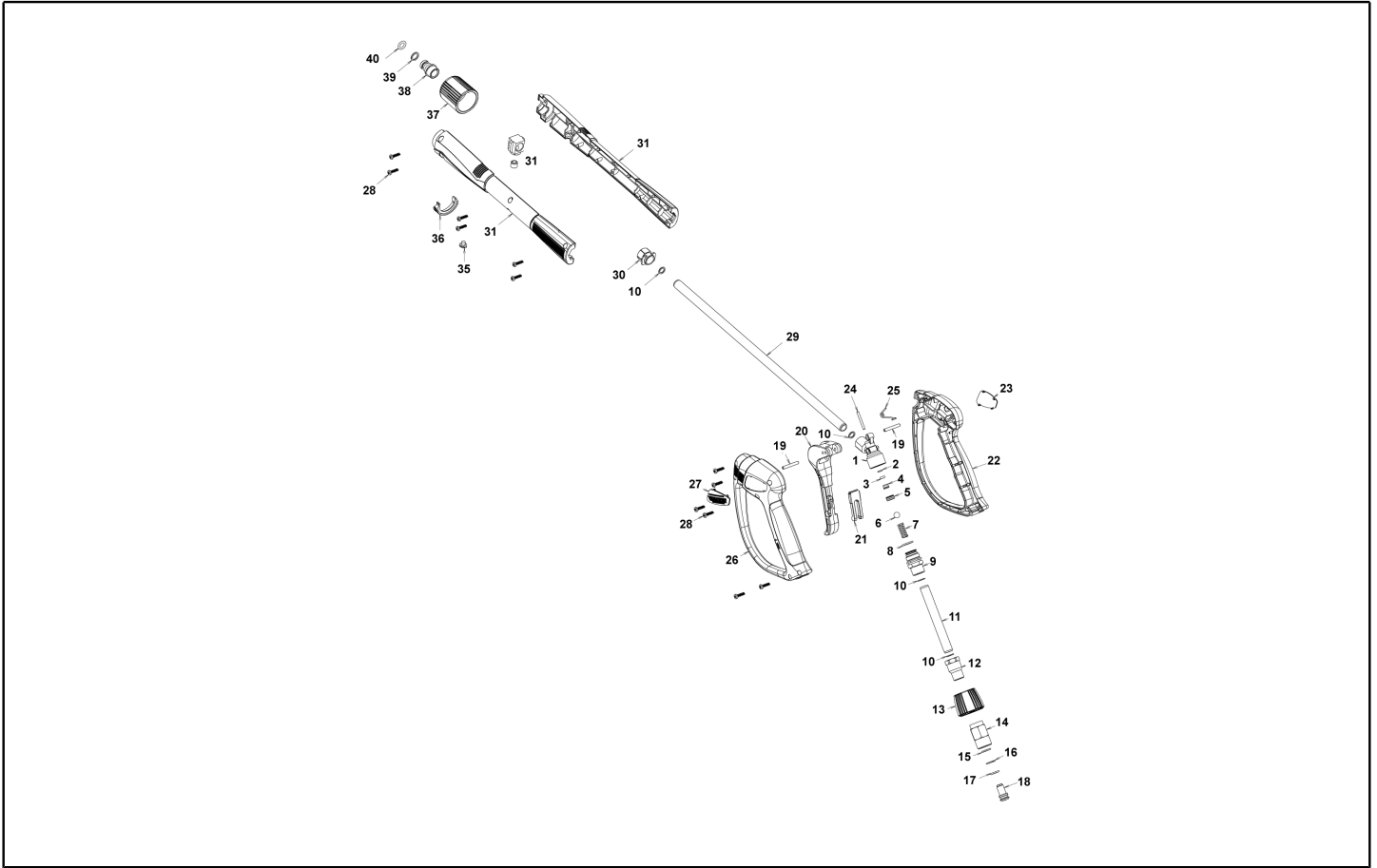
Ref. K	Part n.	Part n. 2	Description	Quantity	Validity		Price
					From	To	
0001	PVVR40402		GUN BODY G5000-V/2 G1/4F	1,00			--
0002	S GUGO17952		O-RING D. 2.84 X 2.62 NBR 70SH	1,00			--
0003	S GUGO21835		O-RING D. 2.84 X 2.62 VIT. 80SH	1,00			--
0004	S VTRS40024		WASHER D. 3 X 7 X1,5 OT	1,00			--
0005	S PVVR40404		SMALL PISTON G5000-V/2	1,00			--
0006	S PVVR40112		BALL SEAT G 5000	1,00			--
0007	S SFVR06779		BALL INOX 11/32	1,00			--
0008	MLML40016		SPRING D. 9.4 x21.5x1.6 G5000	1,00			--
0009	S GUGO21841		O-RING D. 12.42 X 1.78 NBR 90SH	1,00			--
0010	PVVR40113		CAP G 5000	1,00			--
0011	PVVR40405		TUBE G 1/4" L.115	1,00			--
0012	RCIN40024		CONNECTOR SWIV G5000-V/2 1/4F	1,00			--
0013	S PVVR40406		BUSHING G5000-V/2	1,00			--
0014	S PVVR40403		RING SW. G5000-V/2	1,00			--
0015	S GUVR40081		ANTI-EXTR.RING D.9 X13.2X1.2	1,00			--
0016	S PVVR40407		SPACER G5000-V/2	1,00			--
0017	S PVVR40408		PIN G5000-V/2	1,00			--
0018	S PVVR40409		BUSHING C/GRAD. G5000-V/2	1,00			--
0019	PVVR40410		NIPPLE G5000-V/2	1,00			--
0020	PVVR40411		KNOB SWIVEL G5000-V/2	1,00			--
0021	RCIN40025		CONNECTOR SWIV G5000-V/2 M22	1,00			--
0022	S MPVR40628		TRIGGER G5000-V/2	1,00			--
0023	S VTVR40008		PLUG D. 3 G5000	1,00			--
0024	S PVVR45053		PAWL G 2100 INX	1,00			--
0025	S MPVR40629		SAFETY-DEVICE G 5000-SW	1,00			--
0026	MPVR40630		SHELL G5000-V/2 DX	1,00			--
0027	MPVR40631		PLATE G5000-V/2	1,00			--
0028	MPVR40632		SHELL G5000-V/2 SX	1,00			--
0029	MPVR40633		PLATE G5000-V/2 SX	1,00			--
0030	VTVT62984		SCREW TC-CR M 4.2 X19 ZN	7,00			--
0031	LCPR40015		TUBE 1/4 L=370 ZC. 0°	1,00			--
0032	MPVR40195		PROTECTION P 370 MV	1,00			--
0033	MPVR40198		CAP G 5000	1,00			--
0034	MPVR40197		CAP G 5000 FIX.	1,00			--
0035	PVVR40119		CONNECTION M22X1,5 IRV G5000	1,00			--
0036	RCIN40009		GUIDGEON G 1/4 F IRV G5000	1,00			--
0037	GUVR40034		ANTI-EXTR.RING D. 10 X14	1,00			--
0038	GUGO40055		O-RING D. 9.19 X 2.62 - VIT.75	1,00			--



Ref. Part n.	Part n. 2	Description	Reference	Price
KTRI40287		KIT P 26- 29 OR SEDE G5000-V/2	0002 0003 0004 0005 0006 0007 0009	--
KTRI40285		KIT P 26- 27 SWIVEL G5000-V/2	0013 0014 0015 0016 0017 0018	--
KTRI40286		KIT P 26- 28 LEVA G5000-V/2	0022 0023 0024 0025	--

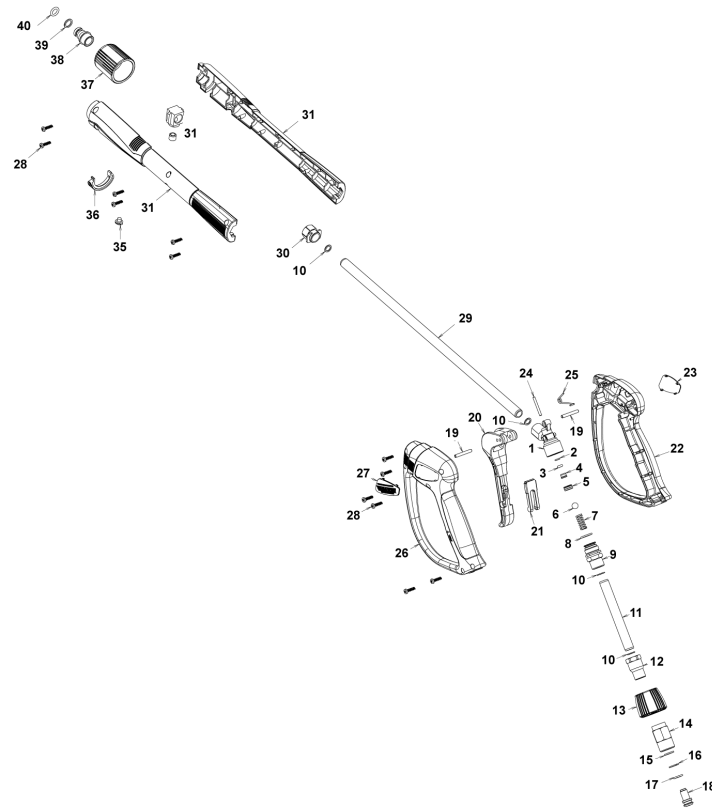


Ref. K	Part n.	Part n. 2	Description	Quantity	Validity		Price
					From	To	
0001	PVVR40381		GUN BODY G 5100 G1/4F	1,00			--
0002	S	GUVR40074	ANTI-EXTR.RING D. 3 X 7.4X1.3	1,00			--
0003	S	GUGO21835	O-RING D. 2.84 X 2.62 VIT. 80SH	1,00			--
0004		PVVR40382	PISTON GUIDE G 5100	1,00			--
0005	S	PVVR40112	BALL SEAT G 5000	1,00			--
0006	S	SFVR40002	BALL D.11/32" ALL GR16	1,00			--
0007		MLML40016	SPRING D. 9.4 x21.5x1.6 G5000	1,00			--
0008		GUGO12322	O-RING D. 14 X 1.78 NBR 90SH	1,00			--
0009		PVVR40383	CONNECTOR COLL.G5100 1/4F	1,00			--
0010		VTRS40017	WASHER D. 8.2X11,4X1.00	4,00			--
0011		PVVR40384	TUBE G 1/4" L.105	1,00			--
0012		RCIN40022	CONNECTOR SWIV G5100 1/4F	1,00			--
0013		MPVR40819	RING NUT G 5100 SW. BK.	1,00			--
0014		RCIN40021	JOINT SWIV 5100 M22	1,00			--
0015	S	GUVR40075	ANTI-EXTR.RING D. 10 X14X1.5	1,00			--
0016	S	GUVR40076	ANTI-EXTR.RING D. 11.2X14X1.2	1,00			--
0017	S	GUGO15295	O-RING D. 10.82 X 1.78 VIT 75SH	1,00			--
0018		PVVR40386	SCREW SW. G 5100	1,00			--
0019		VTVR40047	PLUG D. 4X29	2,00			--
0020		MPVR40820	TRIGGER G 6000-SW	1,00			--
0021		MPVR40821	SAFETY-DEVICE G 6000-SW	1,00			--
0022		MPVR40822	SHELL G 6000-SW DX	1,00			--
0023		MPVR40823	PLATE G 6000 GR.DX	1,00			--
0024		PVVR40387	SMALL PISTON G 5100	1,00			--
0025		MLML40029	SPRING G 5100	1,00			--
0026		MPVR40824	SHELL G 6000-SW SX	1,00			--
0027		MPVR40825	PLATE G 6000 GR.SX	1,00			--
0028		VTVT40043	SCREW AF 4X 14 HILO ZN.N	12,00			--
0029		LCPR40086	TUBE 1/4 L=420 ZC. 0°	1,00			--
0030		MPVR40493	CONNECTOR G 5100-SW	1,00			--
0031		MPVR40494	PROTECTION P 420 C/AN.	1,00			--
0035		MPVR40198	CAP G 5000	1,00			--
0036		MPVR40495	CAP G 5100 REM.	1,00			--
0037		PVVR40119	CONNECTION M22X1,5 IRV G5000	1,00			--
0038		RCIN40009	GUDGEON G 1/4 F IRV G5000	1,00			--
0039		GUVR40034	ANTI-EXTR.RING D. 10 X14	1,00			--
0040		GUGO01946	O-RING D. 9.13 X 2.62 VIT 70SH	1,00			--

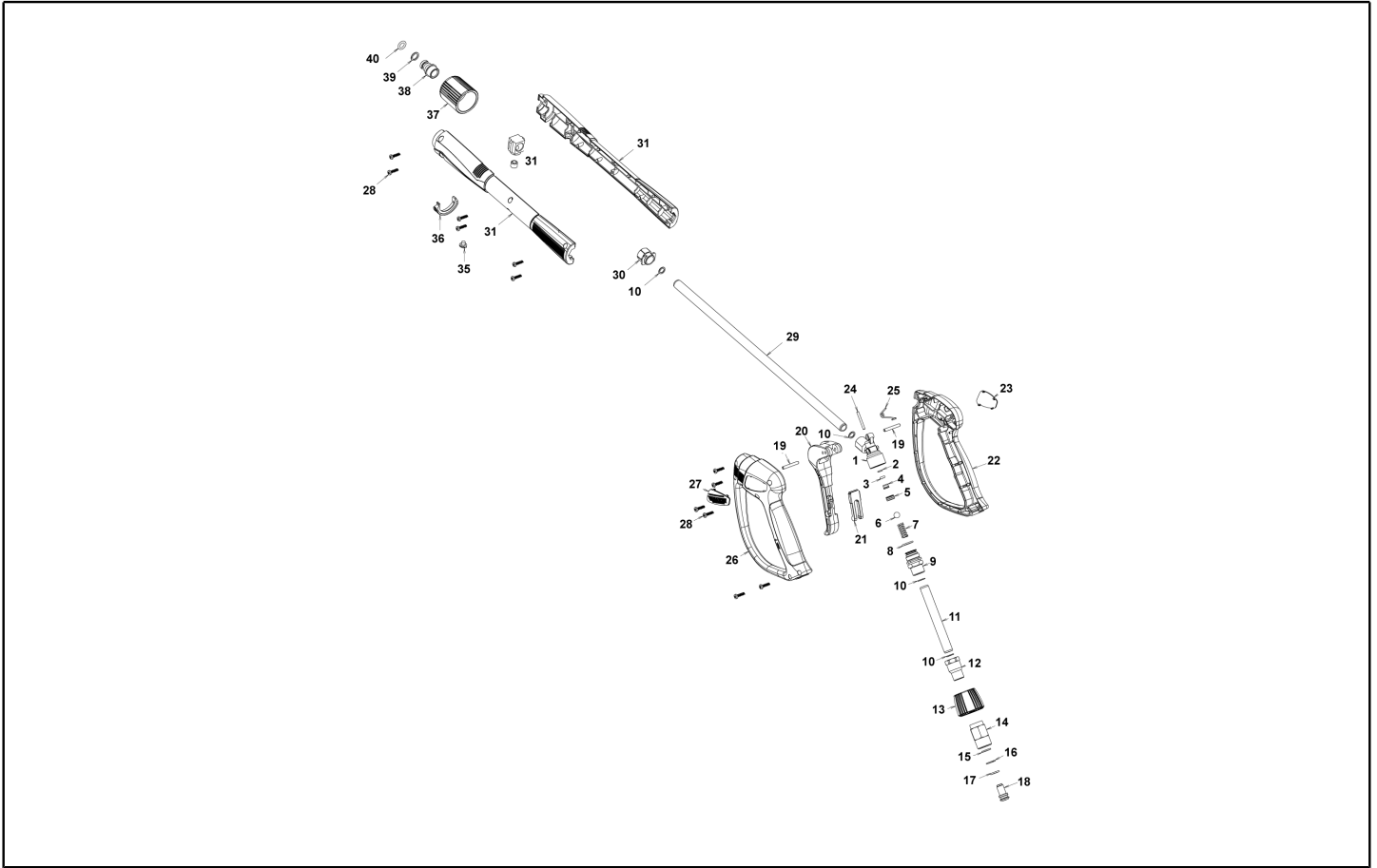


Ref. Part n.	Part n. 2	Description	Reference	Price
KTRI40243		KIT P 26- 26 SWIVEL G 5100	0015 0016 0017	--
KTRI40414		KIT P 26- 34 G 6000	0002 0003 0005 0006	--

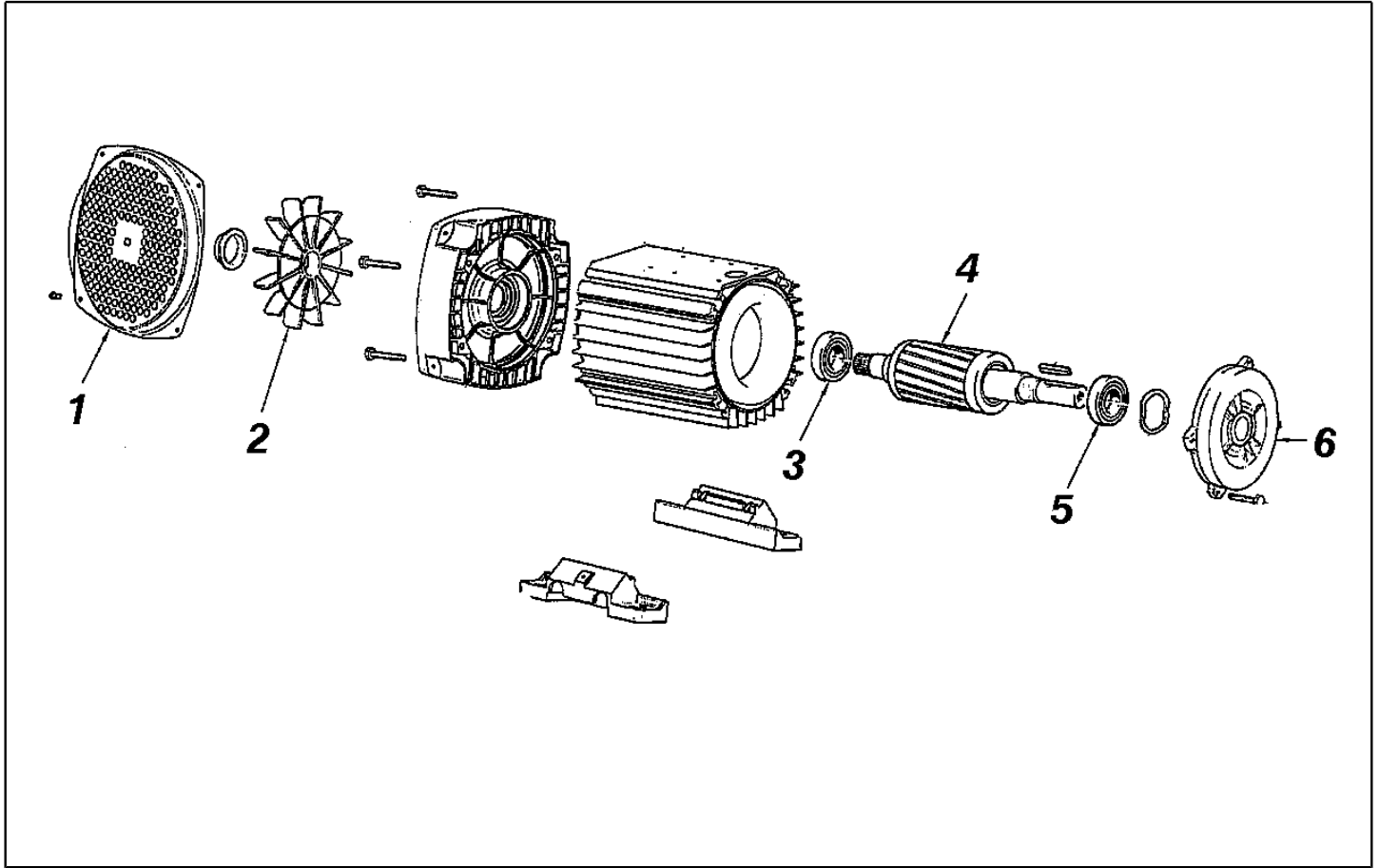




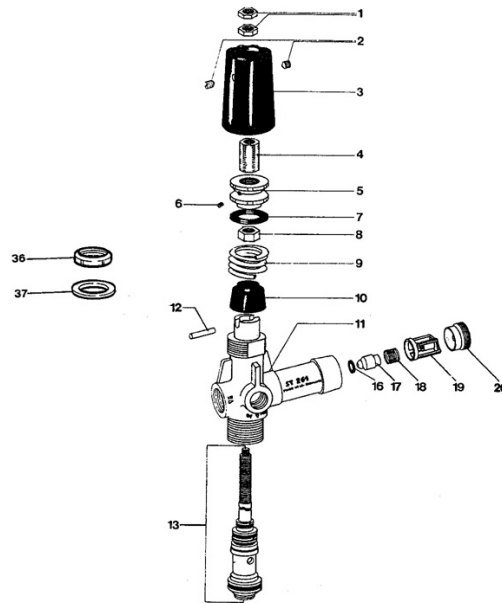
Ref. K	Part n.	Part n. 2	Description	Quantity	Validity		Price
					From	To	
0001	PVVR40381		GUN BODY G 5100 G1/4F	1,00			--
0002	S	GUVR40074	ANTI-EXTR.RING D. 3 X 7.4X1.3	1,00			--
0003	S	GUGO21835	O-RING D. 2.84 X 2.62 VIT. 80SH	1,00			--
0004	PVVR40382		PISTON GUIDE G 5100	1,00			--
0005	S	PVVR40563	BALL SEAT AL36 G6000 + OR	1,00			--
0006	S	SFVR40004	BALL D. 5/16" ALL.GR16	1,00			--
0007	S	MLML40047	SPRING D. 9.4 x23.5x1.6 G6000	1,00			--
0008		GUGO12322	O-RING D. 14 X 1.78 NBR 90SH	1,00			--
0009	PVVR40383		CONNECTOR COLL.G5100 1/4F	1,00			--
0010	VTRS40017		WASHER D. 8.2X11,4X1.00	4,00			--
0011	PVVR40384		TUBE G 1/4" L.105	1,00			--
0012	RCIN40022		CONNECTOR SWIV G5100 1/4F	1,00			--
0013	MPVR40967		RING NUT G 6000 SW. GR.	1,00			--
0014	RCIN40021		JOINT SWIV 5100 M22	1,00			--
0015	S	GUVR40075	ANTI-EXTR.RING D. 10 X14X1.5	1,00			--
0016	S	GUVR40076	ANTI-EXTR.RING D. 11.2X14X1.2	1,00			--
0017	S	GUGO15295	O-RING D. 10.82 X 1.78 VIT 75SH	1,00			--
0018	PVVR40386		SCREW SW. G 5100	1,00			--
0019	VTVR40047		PLUG D. 4X29	2,00			--
0020	MPVR40820		TRIGGER G 6000-SW	1,00			--
0021	MPVR40821		SAFETY-DEVICE G 6000-SW	1,00			--
0022	MPVR40822		SHELL G 6000-SW DX	1,00			--
0023	MPVR40968		PLATE G 6000/2 GR.DX	1,00			--
0024	S	PVVR40564	SMALL PISTON G 6000 AL36 SP.	1,00			--
0025	MLML40029		SPRING G 5100	1,00			--
0026	MPVR40824		SHELL G 6000-SW SX	1,00			--
0027	MPVR40825		PLATE G 6000 GR.SX	1,00			--
0028	VTVT40043		SCREW AF 4X 14 HILO ZN.N	12,00			--
0029	LCPR40181		TUBE 1/4 L=416 ZC. 0°	1,00			--
0030	MPVR40493		CONNECTOR G 5100-SW	1,00			--
0031	MPVR40494		PROTECTION P 420 C/AN.	1,00			--
0035	MPVR40198		CAP G 5000	1,00			--
0036	MPVR40495		CAP G 5100 REM.	1,00			--
0037	PVVR40119		CONNECTION M22X1,5 IRV G5000	1,00			--
0038	RCIN40048		GUDGEON G 1/4 F IRV G6000/2	1,00			--
0039	GUVR40034		ANTI-EXTR.RING D. 10 X14	1,00			--
0040	GUGO63555		O-RING D. 9.3 X 2,4 VIT 75SH	1,00			--



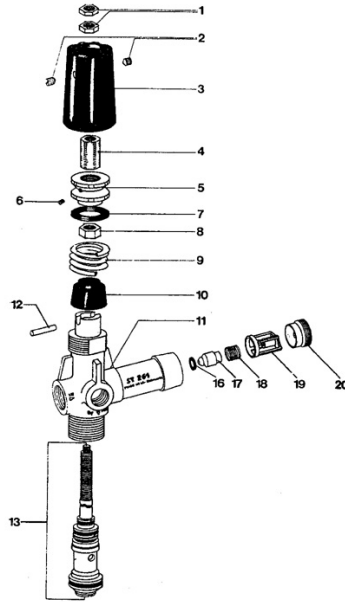
Ref. Part n.	Part n. 2	Description	Reference	Price
KTRI40243		KIT P 26- 26 SWIVEL G 5100	0015 0016 0017	--
KTRI40513		KIT P 26- 36 G 6000/II	0002 0003 0005 0006 0007 0024	--



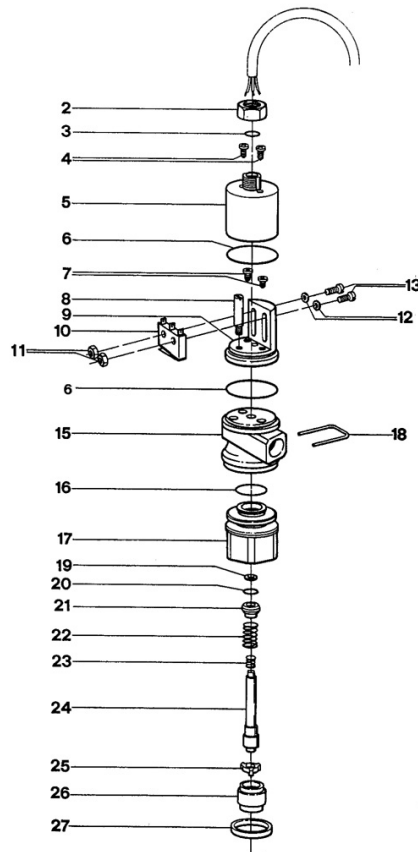
Ref. K	Part n.	Part n. 2	Description	Quantity	Validity		Price
					From	To	
0001	LAFN40007		PROTECTION ED H.112 EST. LM.BK	1,00			--
0002	VEVR48370		MOTOR FAN H 112 EST. ELD	1,00			--
0003	CUVR40002		BALL BEARING 6306 2Z	1,00			--
0004	MORT40006		EL.MOT. ROTOR 7.5HP T 4P H112 B14 ES RC	1,00			--
0005	CUVR40002		BALL BEARING 6306 2Z	1,00			--
0006	MFVR40000		FLANGE MOTOR H 112 B14 5-7.5HP EST ED	1,00			--



Ref. K	Part n.	Part n. 2	Description	Quantity	Validity		Price
					From	To	
0001	VTDD14926		NUT M6X1 UNI5589	2,00			--
0002	VTVT08589		SCREW EI-ST 5X 6 U.5923	2,00			--
0003	MPVR09436		BLACK KNOB ST 260	1,00			--
0004	PVVR14933		SCREW	1,00			--
0005	VTVT14927		SCREW	1,00			--
0006	VTVT14925		SCREW EI-ST 5X 6 UNI5929	2,00			--
0007	GUVR14928		RING	1,00			--
0008	VTDD14930		NUT M8X1 UNI5588	1,00			--
0009	MLML14929		SPRING D.18X4X28	1,00			--
0010	PVVR16955		SPRING SEAT ST	1,00			--
0011	PVVR16956		VALVE BODY ST 261	1,00			--
0012	PVVR16957		PIN D. 3X13 ST	1,00			--
0013	KTRI16958		KIT P 14- 20	1,00			--
0016	S GUGO10373		O-RING D. 5 X 2.5 VIT 80SH	1,00			--
0017	S PVVR08615		VALVE PART	1,00			--
0018	S MLML08616		SPRING	1,00			--
0019	S PVVR08617		VALVE CAGE	1,00			--
0020	PVVR08618		NUT	1,00			--
0036	PVVR10580		NUT	1,00			--
0037	VTRS17544		WASHER D.30X41.5X2 ST	1,00			--



Ref. Part n.	Part n. 2	Description	Reference	Price
KTRI14653		KIT P 14- 4	0016 0017 0018 0019	--



Ref. K	Part n.	Part n. 2	Description	Quantity	Validity		Price
					From	To	
0002	VTDD08624		NUT ST 260	1,00			--
0003	GUGO10373		O-RING D. 5 X 2.5 VIT 80SH	1,00			--
0004	VTVT08630		SCREW TCB 2,9 X 9,5	2,00			--
0005	PVVR08628		COVERING ST 260 S	1,00			--
0006	GUGO08629		O-RING D. 24 X 1.5 NBR 70SH	2,00			--
0007	VTVT08630		SCREW TCB 2,9 X 9,5	2,00			--
0008	PVVR08631		NUT	1,00			--
0009	PVVR08632		COVERING ST 260 M	1,00			--
0010	MECI08633		MICRO-SWITCH ST 261	1,00			--
0011	VTDD08634		NUT M2	1,00			--
0012	VTRS13332		WASHER OTT	2,00			--
0013	VTVT08643		SCREW	2,00			--
0015	PVVR17568		BODY SW 261	1,00			--
0016	GUGO08609		O-RING D. 15 X 1.5 EPDM70SH	1,00			--
0017	PVVR17569		BODY SW 261	1,00			--
0018	VTVR17570		PLUG ST	1,00			--
0019	GUVR13333		ANTI-EXTR.RING	1,00			--
0020	GUGO07014		O-RING D. 3.3 X 2.4 EPDM80SH	1,00			--
0021	PVVR13334		SPACER OTT	1,00			--
0022	MLML13335		SPRING	1,00			--
0023	MLML08639		SPRING	1,00			--
0024	PVVR17571		ROD ST 261	1,00			--
0025	PVVR08641		PIN GUIDE	1,00			--
0026	PVVR17572		SPACER ST	1,00			--
0027	VTRS17573		WASHER ST	1,00			--