



**IPC**

**Spare parts list**

Ref: ASDO09918

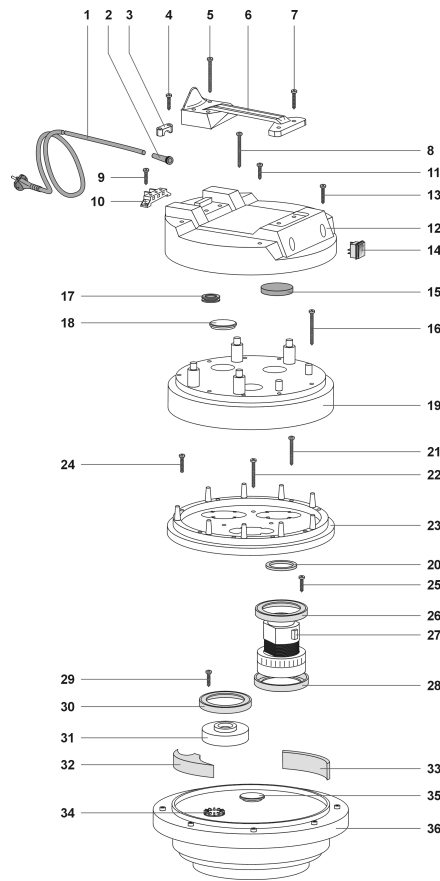
Model: VACUUM CLEANER PANDA 623 W/ACC.



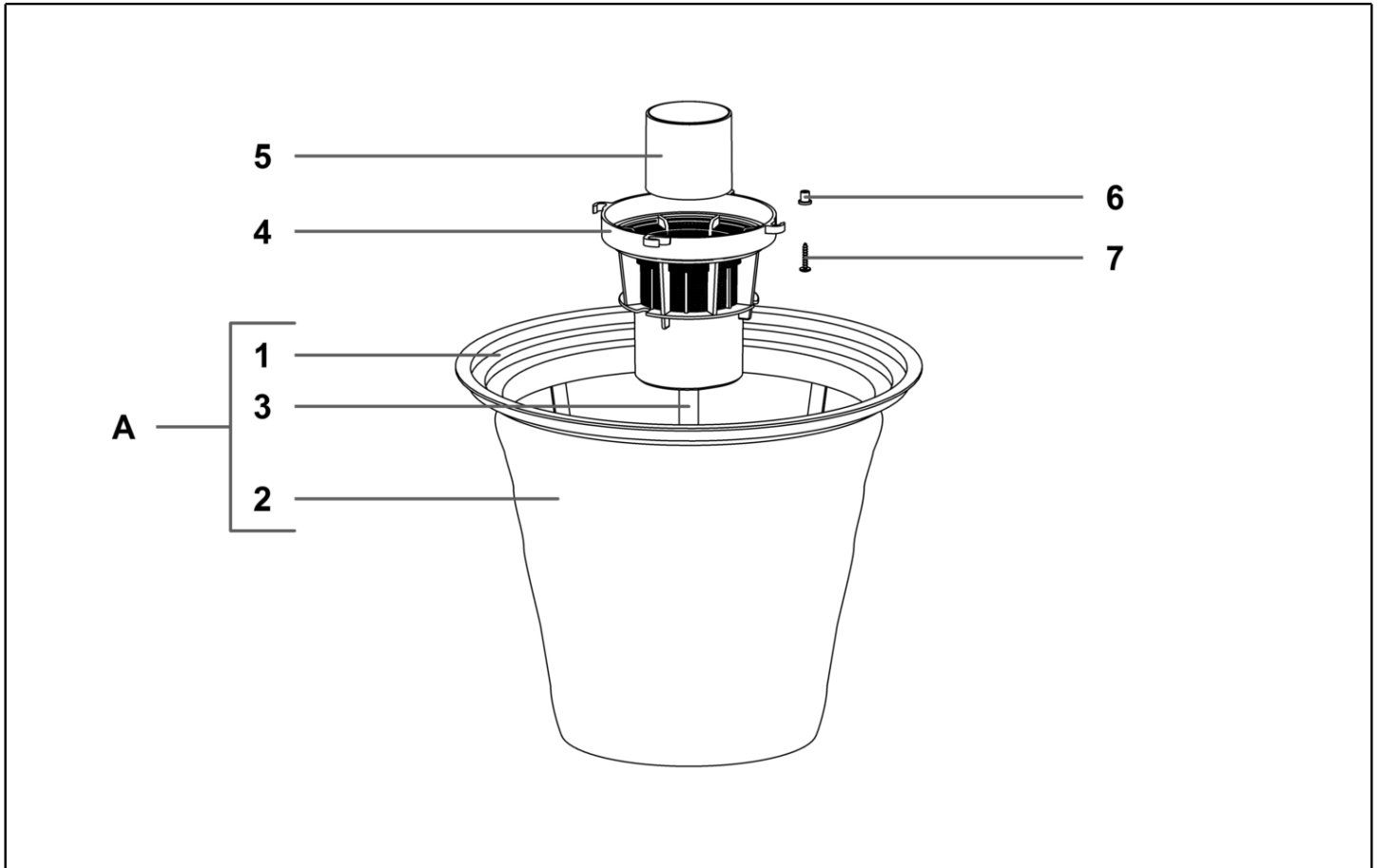
IPC Integrated Professional Cleaning

**IPC Soteco**

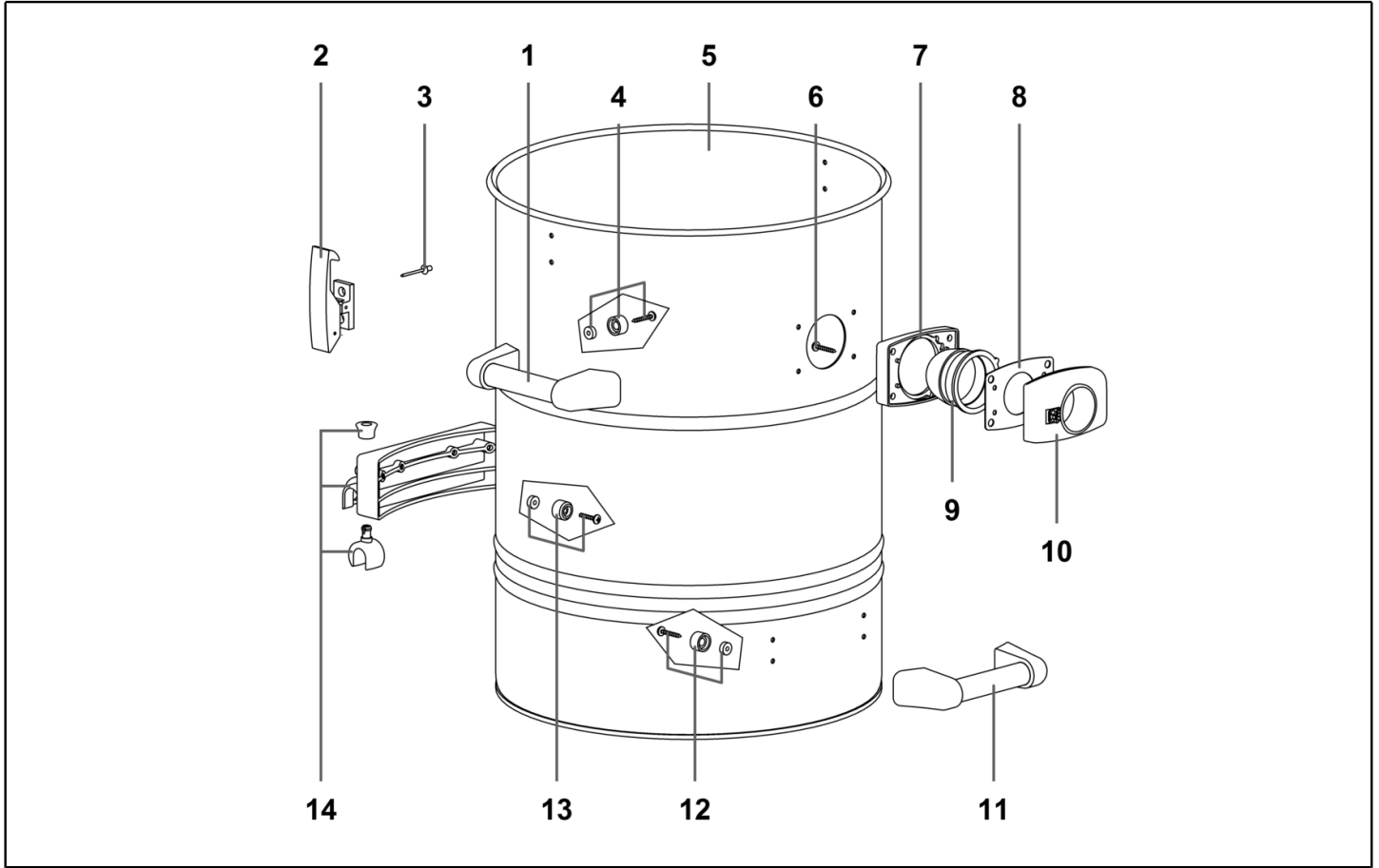
Ref. K	Part n.	Part n. 2	Description	Quantity	Validity		Price
					From	To	
0001	PMTA07574		HEAD PANDA 623	1,00			--
0002	KTRI72194		CONICAL FILTRATION KIT 600	1,00			--
0003	PMFU01249		TANK PANDA 600 BASIC AISI 430 C	1,00			--
0004	CARR01374		TIPPING TROLLEY NEVADA	1,00			--
0005	KTRI85413		KIT P KIT ACCESS. 38 NEW(EUROPA	1,00	12/10/2021		--



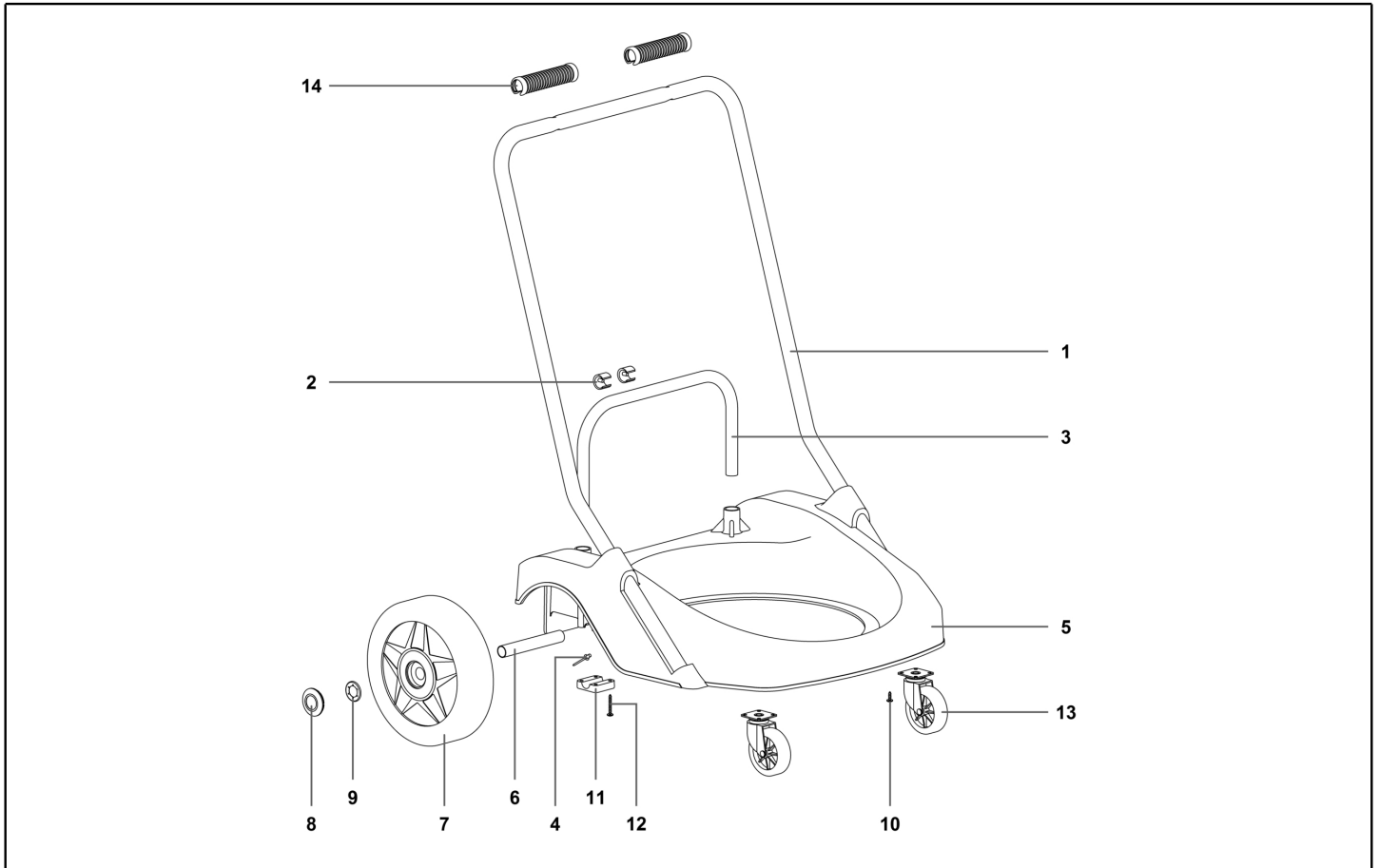
Ref. K	Part n.	Part n. 2	Description	Quantity	Validity		Price
					From	To	
*	MECB01831		ELECTR.KIT 50CM POKE-IN MOT TP 1200	2,00			--
*	FSVR00127		CLAMP	3,00			--
*	MECB35712		WIRE WITH RESISTANCE	1,00			--
0001	MECB31445		ELECTRIC CORD 2X1,5 MT.8,5	1,00			--
0002	MEVR28673		FAIRLEAD	1,00			--
0003	MPVR28690		CABLE CLAMP	1,00			--
0004	VTVT71961		SCREW PFU TMT PHL 5X20 ZN NERA	2,00			--
0005	VTVT32295		SCREW PAT TMT PHL 5X50	4,00			--
0006	MPVR10061		LOBSTER HANDLE PANDA 600	1,00			--
0007	VTVT72055		SCREW PFU TMT PHL 5X25 ZN BLACK	2,00			--
0008	VTVT32295		SCREW PAT TMT PHL 5X50	2,00			--
0009	VTVT71960		SCREW PAT TMT PHL 5X14 ZN	2,00			--
0010	MECB01168		TERMINAL BOARD 400-600 2P 2MOT	1,00			--
0011	VTVT71961		SCREW PFU TMT PHL 5X20 ZN NERA	2,00			--
0012	PMVR05949		COVER PANDA 600 2M GR 6000	1,00			--
0013	VTVT72055		SCREW PFU TMT PHL 5X25 ZN BLACK	2,00			--
0014	MECI28744		ANTISPLASH RED LIGHT SWITCHER	2,00			--
0015	FTDP38064		FILTER MTP/65 H=15 D.95	2,00			--
0016	VTVT40007		SCREW PAT TMT PHL 5X55 BLACK	9,00			--
0017	MEVR72017		GUIDING SLIT FOR QUICK COUPLING	1,00			--
0018	MPVR38053		COVERING CAP	1,00			--
0019	MPVR08503		LOBSTER COVER 600	1,00			--
0020	MPVR38371		WASHER H8 D85X65	2,00			--
0021	VTVT72106		SCREW PAT TMT PHL 5X40 BLACK	9,00			--
0022	VTVT72106		SCREW PAT TMT PHL 5X40 BLACK	3,00			--
0023	MPVR09336		MOTOR SUPPORT NEV. 600 GREY 6000	1,00			--
0024	VTVT01181		SCREW TC CROSS M 5X30 UNI 7687	1,00			--
0025	VTVT71961		SCREW PFU TMT PHL 5X20 ZN NERA	8,00			--
0026	GUGO28683		"L" GASKET W/O HOLES H=5,5	2,00			--
0027	MOMO00624		MOTOR BD382 1200W 220-240 50/60	2,00			--
0028	GUGO28683		"L" GASKET W/O HOLES H=5,5	2,00			--
0029	VTVT71961		SCREW PFU TMT PHL 5X20 ZN NERA	4,00			--
0030	GUGO28683		"L" GASKET W/O HOLES H=5,5	1,00			--
0031	MPVR07346		FAKE MOTOR	1,00			--
0032	FTDP38057		ANTINOISE TRIANGLE H=51	3,00			--
0033	FTDP28745		GASKET MTP/30 AU-AD 50X10X85	3,00			--
0034	MPVR28748		AUTOMATIC VALVE	2,00			--
0035	MPVR38058		BASE CAP	1,00			--
0036	PMBA00570		BASE NEV.600 W/PLA G6 COMP	1,00			--



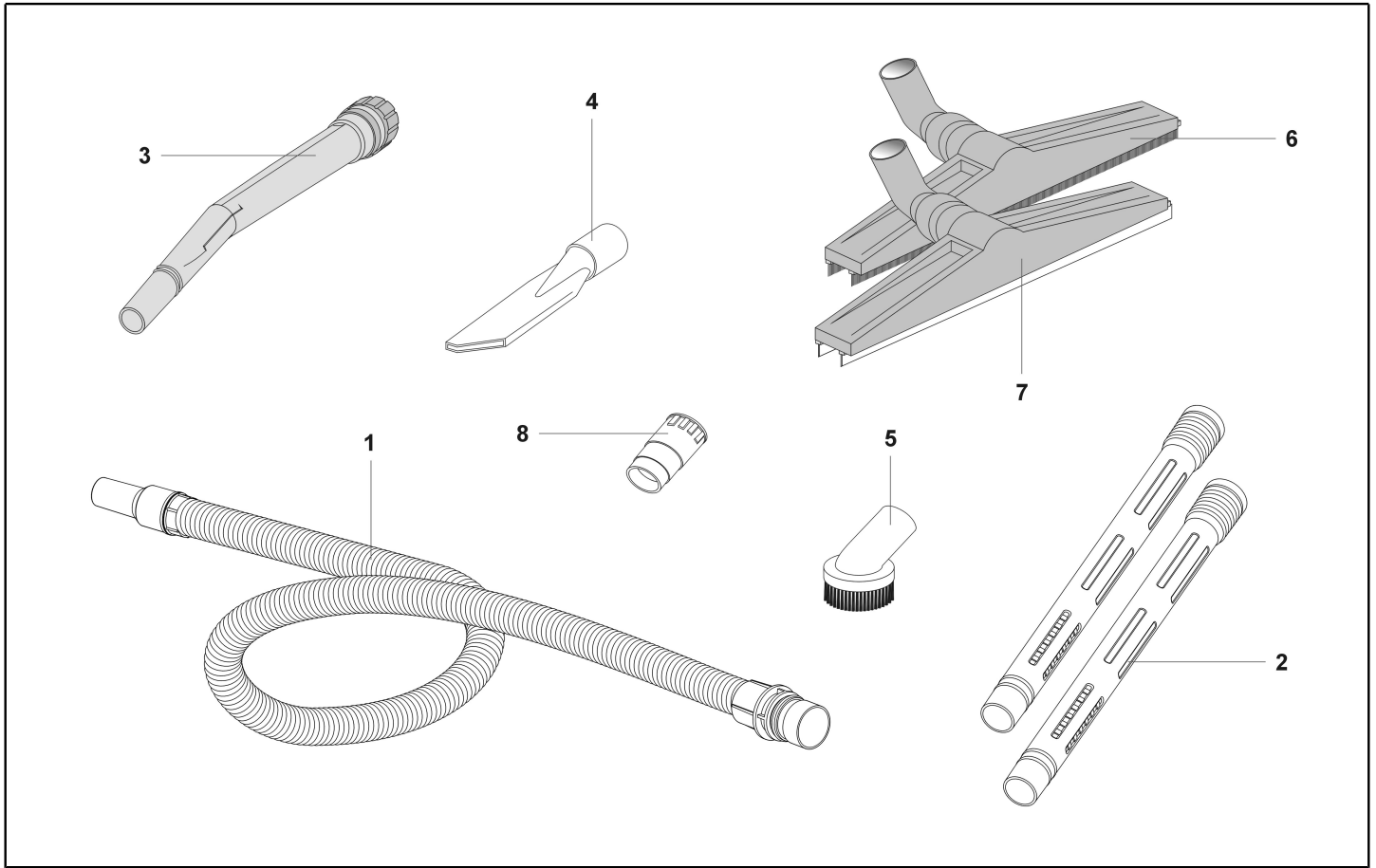
Ref. K	Part n.	Part n. 2	Description	Quantity	Validity		Price
					From	To	
A	KTRI02949		KIT RING+FILT+BASKET 600	1,00			--
0001	MPVR35495		FILTER RING 600	1,00			--
0002	FTDP00523		FILTER POLY AN4-600 CON REG H320	1,00			--
0003	MPVR09199		CONICAL BASKET 400	1,00			--
0004	MPVR40521		NET ANTIFOAM BODY HIGH	1,00			--
0005	RCGR40008		HIGH FLOAT 99 W/GASKET 37 SHA	1,00			--
0006	MPVR35796		BUSHING PLASTIC SLEEVE D.8	4,00			--
0007	VTVT36751		SCREW SCREW PAT TMT PHL 5X25	4,00			--



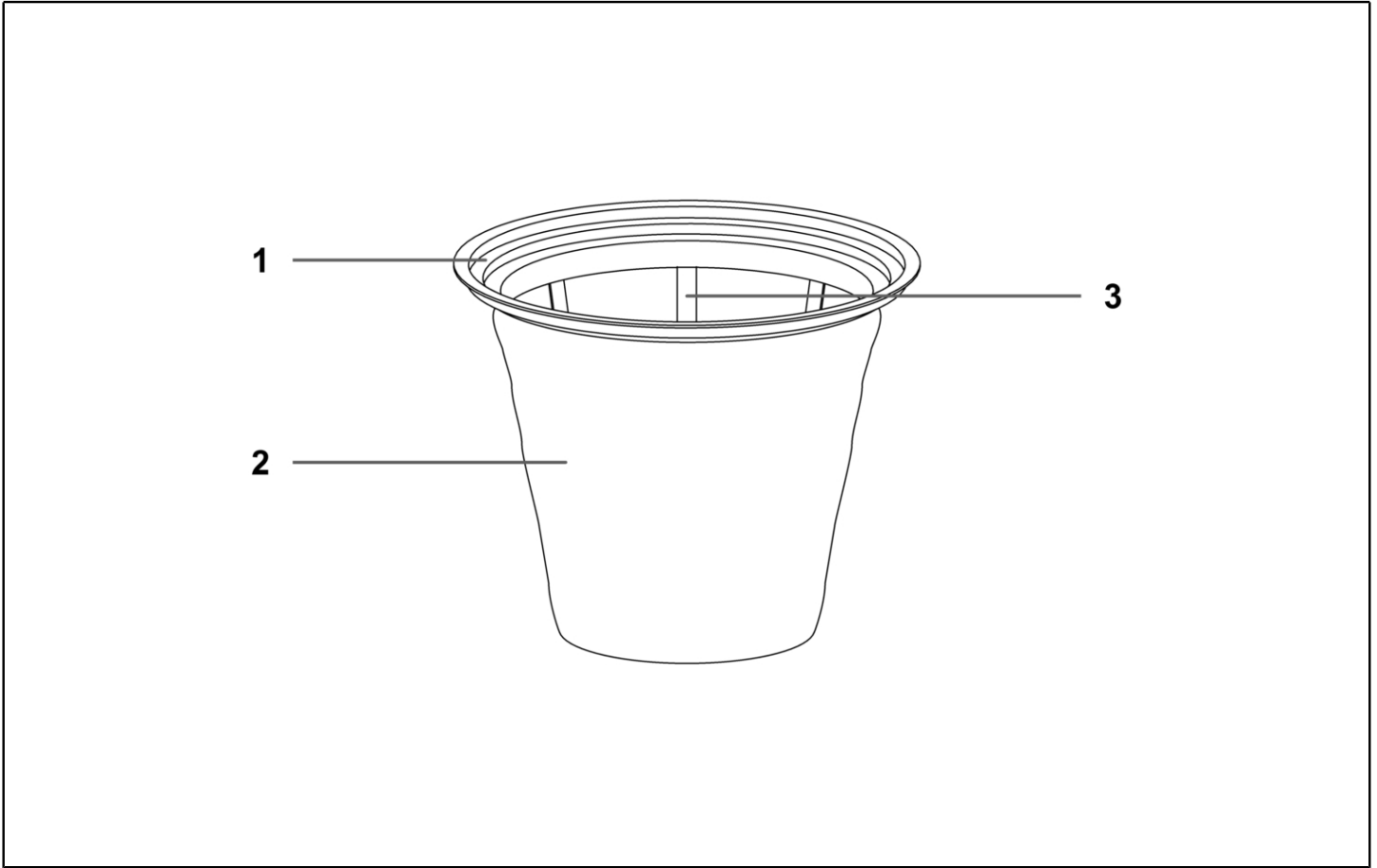
Ref. K	Part n.	Part n. 2	Description	Quantity	Validity		Price
					From	To	
0001	MPVR28765		TANK HANDLE "V.F." ISSA	2,00			--
0002	PMVR02871		PLASTIC HOOK COMPL. GR6000	2,00		09/11/2021	--
0002	CHVR28735		COMPLETE PLASTIC HOOK BLACK	2,00	10/11/2021		--
0003	VTVR71991		RIVET 5X11	4,00			--
0004	PMVR02551		COMPL.SEAL JOI. C/VITE L=30	8,00			--
0005	LAFN28766		TIPPING TANK NEVADA 600 AISI 430	1,00			--
0006	VTVT71966		SCREW PAT TMT PHL 5X30 BLACK	4,00			--
0007	MPVR08681		GASKET R 205 GREY 6000	1,00			--
0008	GUGO28701		GASKET D.38	1,00			--
0009	MPVR28696		DEFLECTOR 99	1,00			--
0010	MPVR09004		PIPE UNION R155 G6000 W/BUT.OR	1,00			--
0011	MPVR28765		TANK HANDLE "V.F." ISSA	1,00			--
0012	PMVR02551		COMPL.SEAL JOI. C/VITE L=30	4,00			--
0013	RIGE00015		COMPLETE SEAL W/SCREW L=25	4,00			--
0014	MPVR06993		HINGE GROUP BASC COMP	1,00		04/05/2023	--
0014	PMVR07024		HINGE GROUP BASC. COMP. RINF	1,00	05/05/2023		--



Ref. K	Part n.	Part n. 2	Description	Quantity	Validity		Price
					From	To	
0001	LAFN09981		HANDLE NEVADA BLACK VARN.	1,00			--
0002	LAFN72157		POSITIONER MIR. 1600	2,00			--
0003	LAFN28769		CHROME HANDLE NEVADA	1,00			--
0004	VTVR71991		RIVET 5X11	2,00		17/01/2021	--
0004	VTVR71992		RIVET RIVET 4,8X17	2,00	18/01/2021		--
0005	MPVR28771		TROLLEY MIR. 1600	1,00			--
0006	LAFN28772		WHEEL PIVOT D.20X140	2,00			--
0007	RTRT24322		WHEEL SR 250	2,00			--
0008	MPVR85070		WHEEL CAP D.200/250 BLACK	2,00			--
0009	MPVR72149		BLOC D.20	2,00			--
0010	VTVT01193		SCREW PAT TMT PHL 5X15 ZN BLACK	8,00		07/10/2021	--
0010	VTVT71960		SCREW PAT TMT PHL 5X14 ZN	8,00	08/10/2021		--
0011	MPVR28774		LOCK PIVOT BRACKET	2,00			--
0012	VTVT71971		SCREW PAT TMT PHL 5X35 BLACK	8,00			--
0013	RTRT28775		FLANGED WHEEL D.80	2,00			--
0014	MPVR02288		GRIP PLAST.CARRELLO GR.5000	2,00		11/05/2022	--
0014	MPVR10119		GRIP PLAST.CARRELLO NERO	2,00	12/05/2022		--

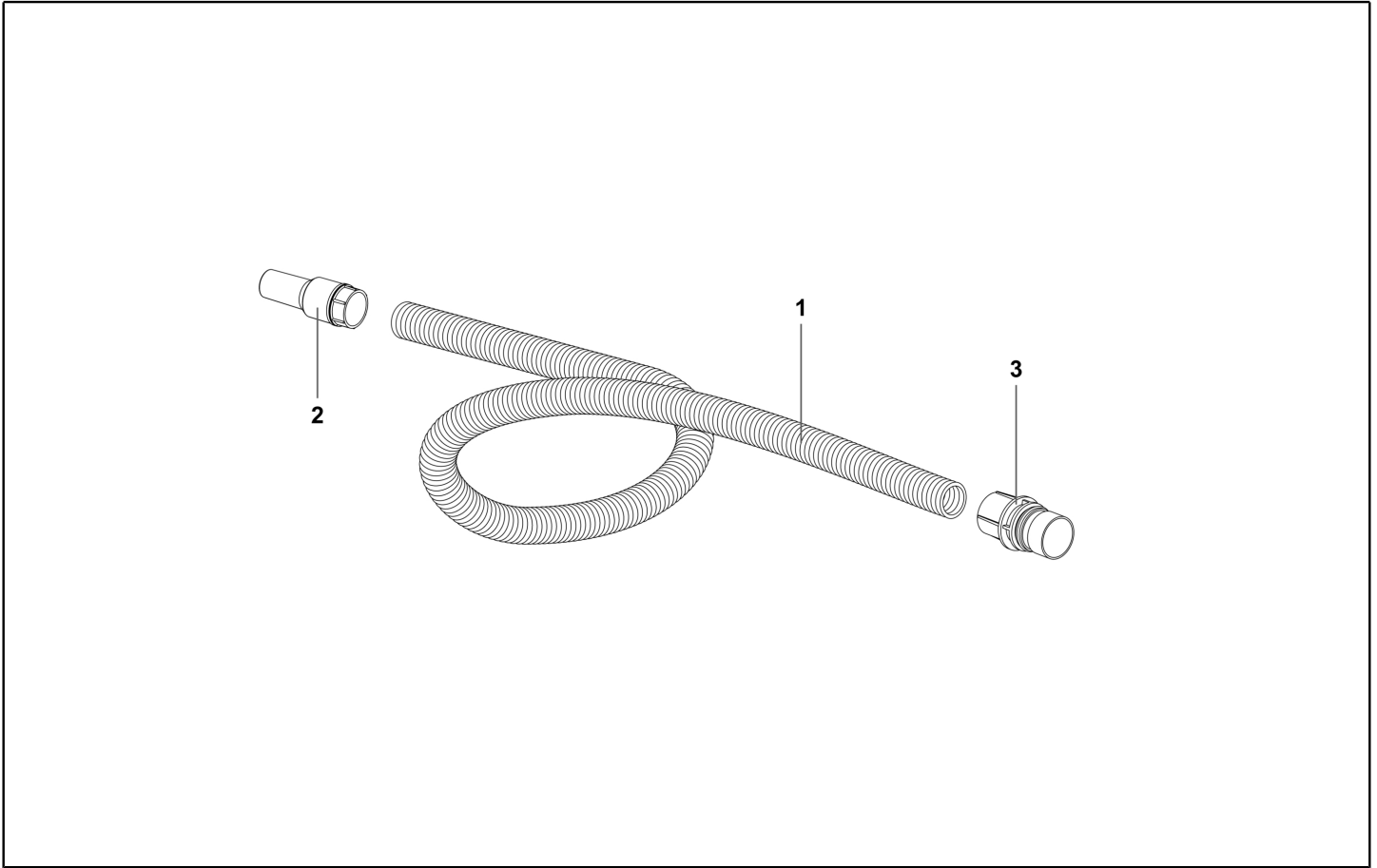


Ref. K	Part n.	Part n. 2	Description	Quantity	Validity		Price
					From	To	
0001	TBFX28237		FLEX HOSE D.38 MT.2,5 COMPL.	1,00			--
0002	LAFN43048		EXTENSION ALL-PL DIA.40 MT. 0,50 NE	2,00			--
0003	MPVR43047		EXTENSION CURVED EXTENSION	1,00			--
0004	SPPV00156		FLAT LANCE D.38	1,00			--
0005	SPPV43052		ROUND TOOL D.38	1,00			--
0006	SPPV43050		BRISTLES BRUSH D.40	1,00			--
0007	SPPV43051		CURVED WET TOOL 400 D.38	1,00			--
0008	MPVR43049		PVC ADAPTOR D.38	1,00			--

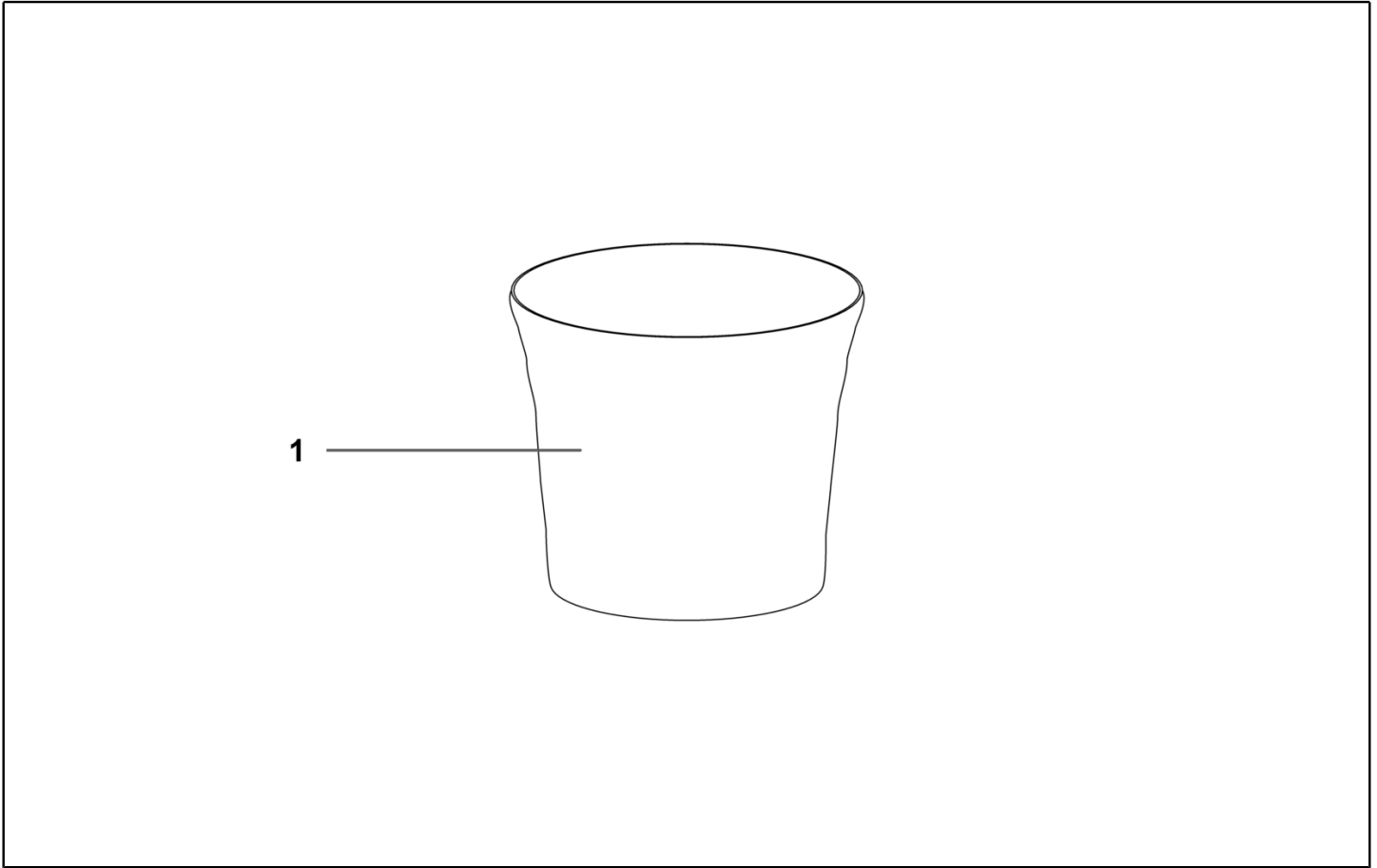


Ref. K	Part n.	Part n. 2	Description	Quantity	Validity		Price
					From	To	
0001	MPVR35495		FILTER RING 600	1,00			--
0002	FTDP00523		FILTER POLY AN4-600 CON REG H320	1,00			--
0003	MPVR09199		CONICAL BASKET 400	1,00			--

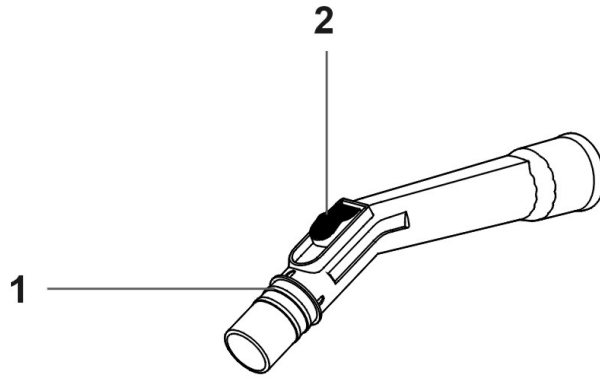




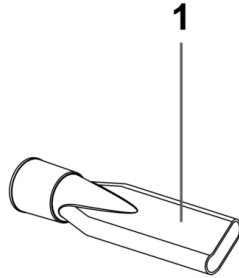
Ref. K	Part n.	Part n. 2	Description	Quantity	Validity		Price
					From	To	
0001	TBFX00558		FLEXIBLE HOSE 38 GR5500 AL METRO	2,37			--
0002	RCVR72221		ROTATING CUFF D.38/D.38	1,00			--
0003	MPVR07479		SLEEVE TUBOFLEX D.38/D.38 C/OR	1,00			--



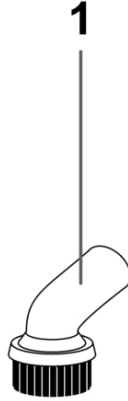
Ref. K	Part n.	Part n. 2	Description	Quantity	Validity		Price
					From	To	
0001	FTDP00523		FILTER POLY AN4-600 CON REG H320	1,00			--
0001	FTDP00523		FILTER POLY AN4-600 CON REG H320	1,00			--
0001	FTDP00523		FILTER POLY AN4-600 CON REG H320	1,00			--



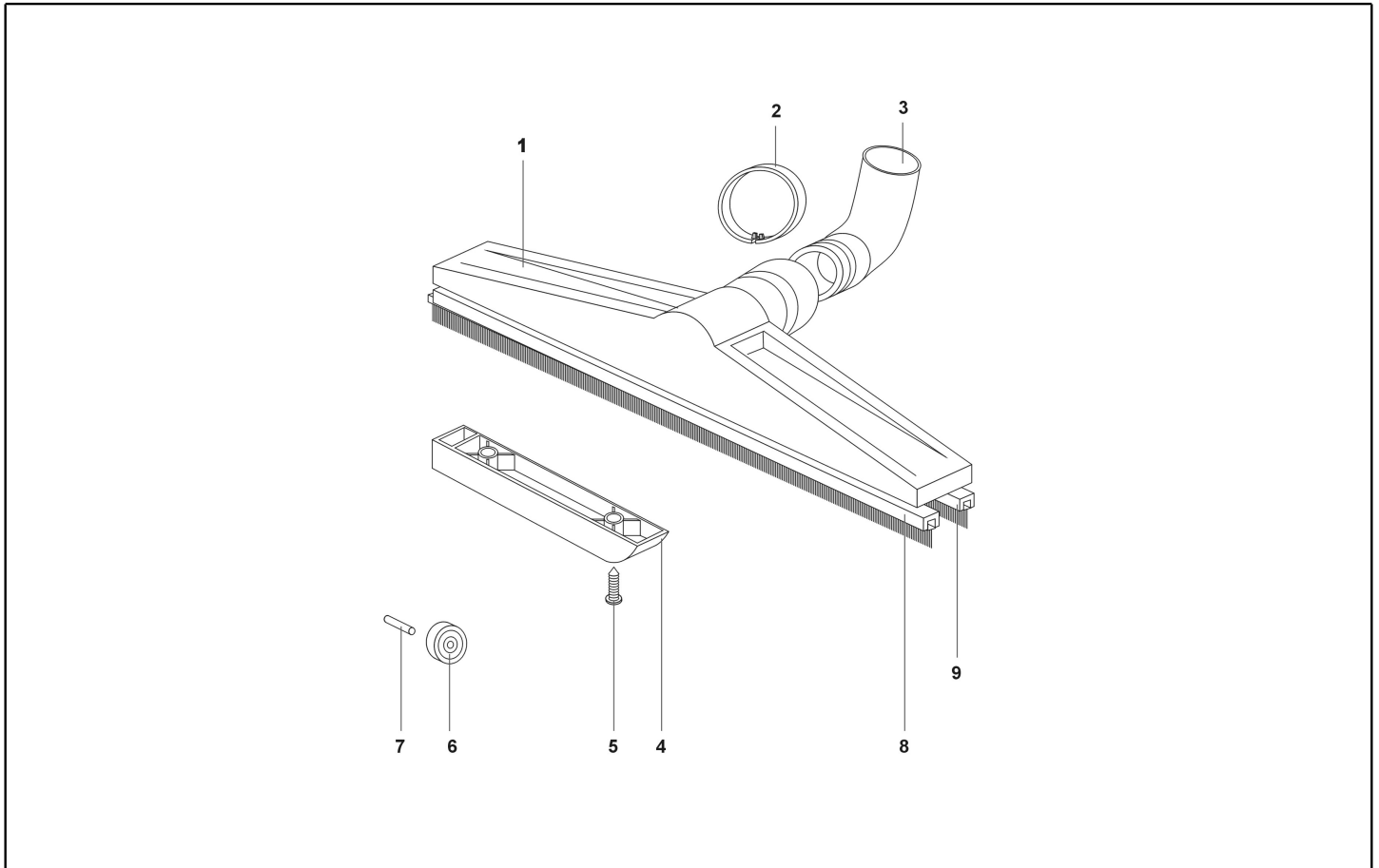
Ref. K	Part n.	Part n. 2	Description	Quantity	Validity		Price
					From	To	
0001	MPVR10505		CURVE PLAST DIA 38	1,00			--
0002	MPVR06762		BUTTON REGOLAZIONE ARIA G5	1,00			--



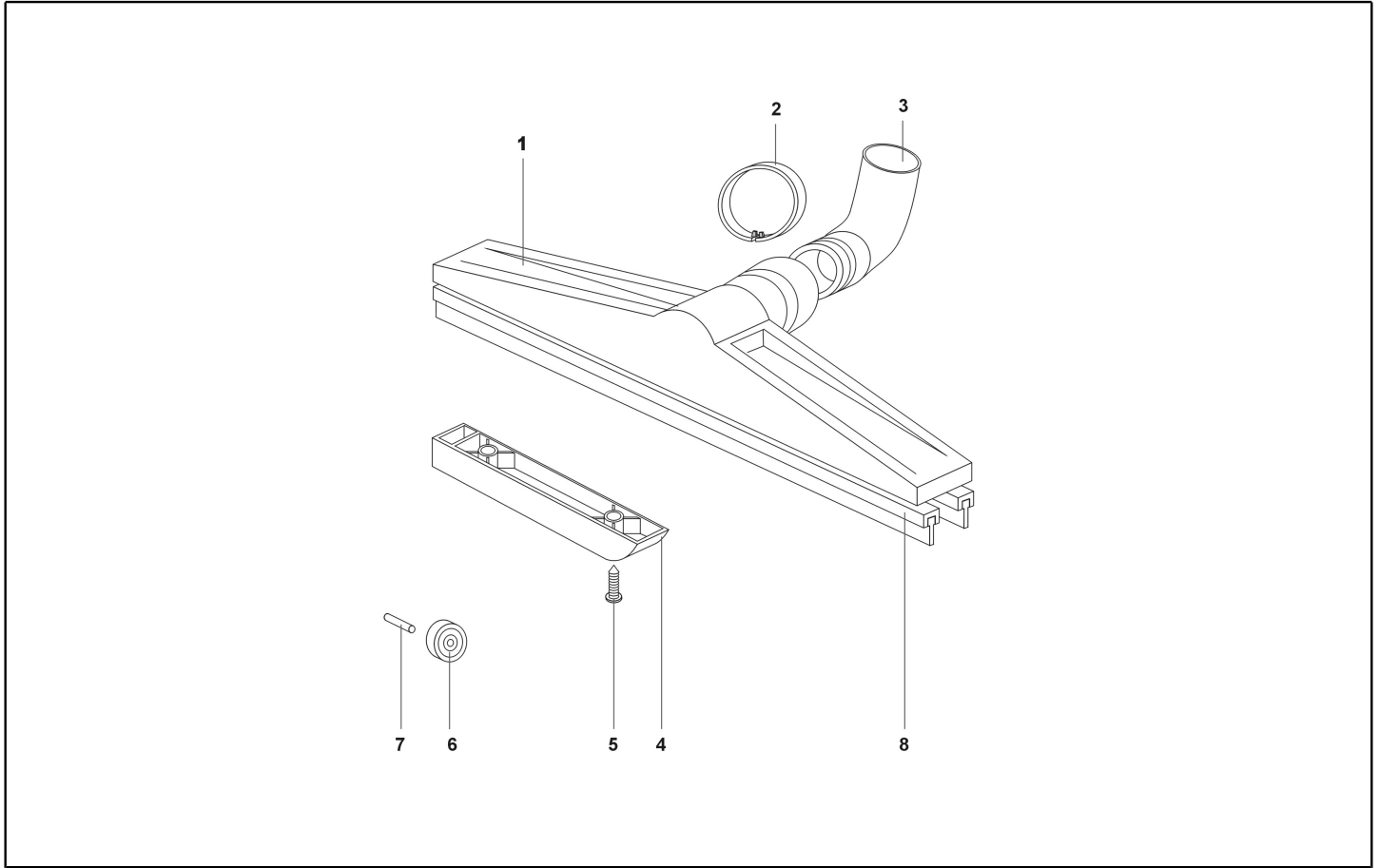
Ref. K	Part n.	Part n. 2	Description	Quantity	Validity		Price
					From	To	
0001	SPPV00156		FLAT LANCE D.38	2,00			--
0001	SPPV00156		FLAT LANCE D.38	2,00			--



Ref. K	Part n.	Part n. 2	Description	Quantity	Validity		Price
					From	To	
0001	SPPV43052		ROUND TOOL D.38	1,00			--
0001	SPPV43052		ROUND TOOL D.38	1,00			--



Ref. K	Part n.	Part n. 2	Description	Quantity	Validity		Price
					From	To	
0001	MPVR06726		BODY SPAZZOLA 400	1,00			--
0002	MPVR49176		ELASTIC RING NUT BRUSH 400	1,00			--
0003	MPVR02289		BRUSH 400 ELBOW CLUTCH D.38	1,00			--
0004	MPVR06728		SUPPORT PORTARUOTA SPAZZ.400	2,00			--
0005	VTVT01193		SCREW PAT TMT PHL 5X15 ZN BLACK	4,00			--
0006	RTRT87117		WHEEL D.25 BRUSH 300/400	2,00			--
0007	LAFN86068		PIVOT 5 X 17,5 ZN	2,00			--
0008	SPPV76601		STRIP L=395	1,00			--
0009	SPPV76599		GUIDE LIST W/STRIP L=395	1,00			--

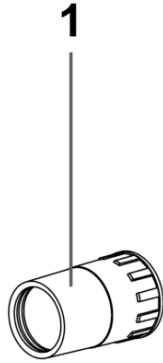


Ref. K	Part n.	Part n. 2	Description	Quantity	Validity		Price
					From	To	
0001	MPVR06726		BODY SPAZZOLA 400	1,00			--
0002	MPVR49176		ELASTIC RING NUT BRUSH 400	1,00			--
0003	MPVR02289		BRUSH 400 ELBOW CLUTCH D.38	1,00			--
0004	MPVR06728		SUPPORT PORTARUOTA SPAZZ.400	2,00			--
0005	VTVT01193		SCREW PAT TMT PHL 5X15 ZN BLACK	4,00			--
0006	RTRT87117		WHEEL D.25 BRUSH 300/400	2,00			--
0007	LAFN86068		PIVOT 5 X 17,5 ZN	2,00			--
0008	MPVR38641		GUIDE LIST W/WET L=395	2,00			--

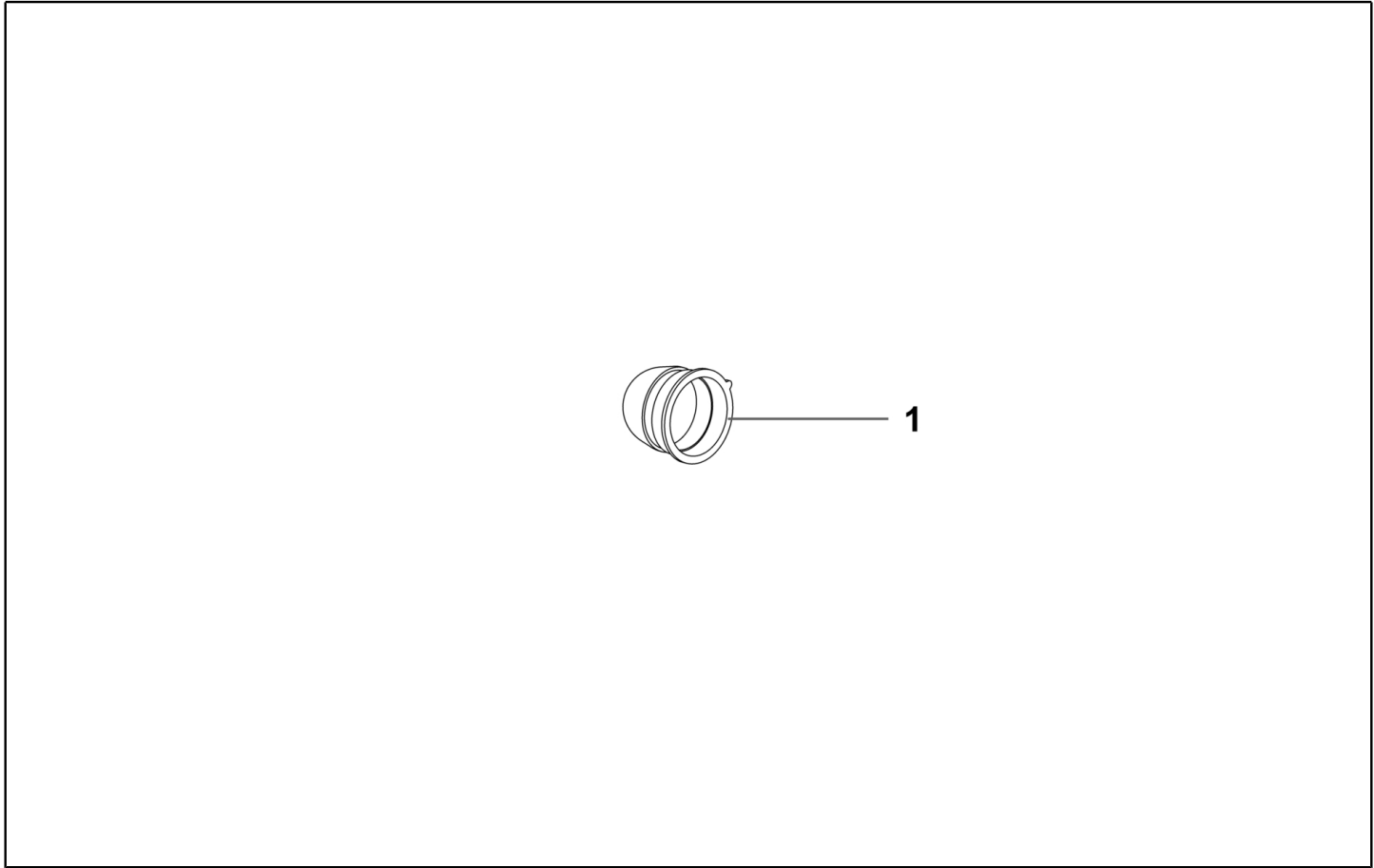


Ref. K	Part n.	Part n. 2	Description	Quantity	Validity		Price
					From	To	
0001	VTVT36751		SCREW SCREW PAT TMT PHL 5X25	1,00			--
0001	VTVT36751		SCREW SCREW PAT TMT PHL 5X25	1,00			--

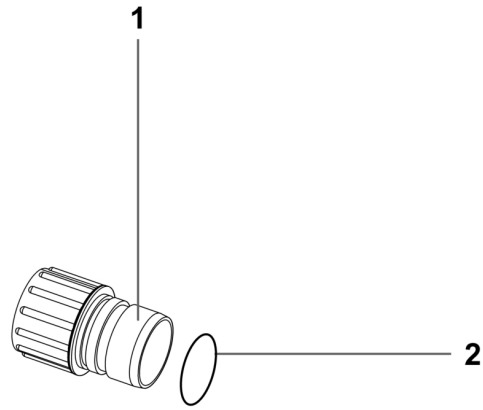




Ref. K	Part n.	Part n. 2	Description	Quantity	Validity		Price
					From	To	
0001	MPVR43049		PVC ADAPTOR D.38	1,00			--
0001	MPVR43049		PVC ADAPTOR D.38	1,00			--



Ref. K	Part n.	Part n. 2	Description	Quantity	Validity		Price
					From	To	
0001	MPVR28696		DEFLECTOR 99	1,00			--
0001	MPVR28696		DEFLECTOR 99	1,00			--



Ref. K	Part n.	Part n. 2	Description	Quantity	Validity		Price
					From	To	
0001	MPVR13223		SLEEVE TUBOFLEX D.38/D.38	1,00	11/06/2021		--
0002	GUGO00408		O-RING D.INT. 44,12X2,62 NBR	1,00			--