

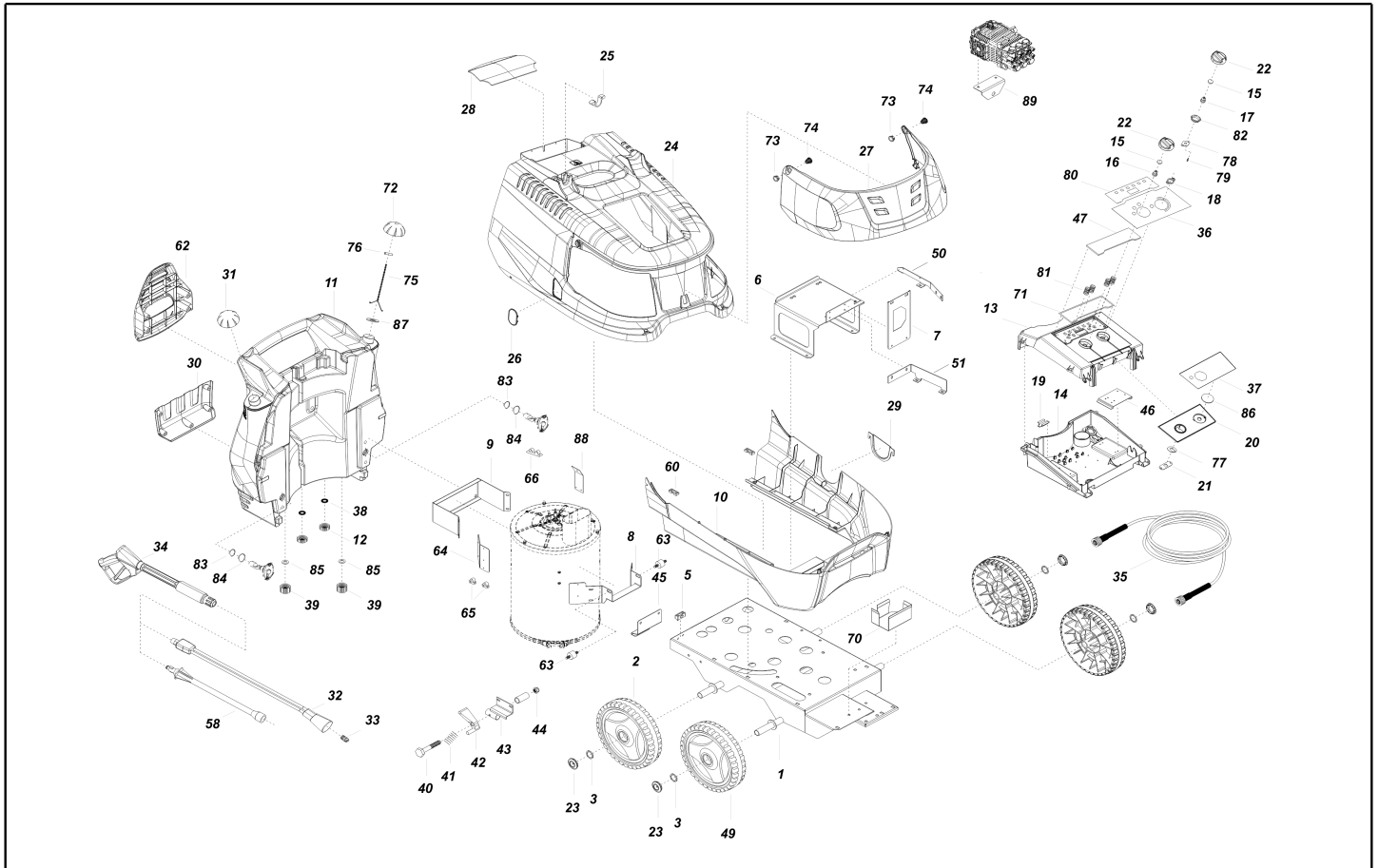


**IPC**

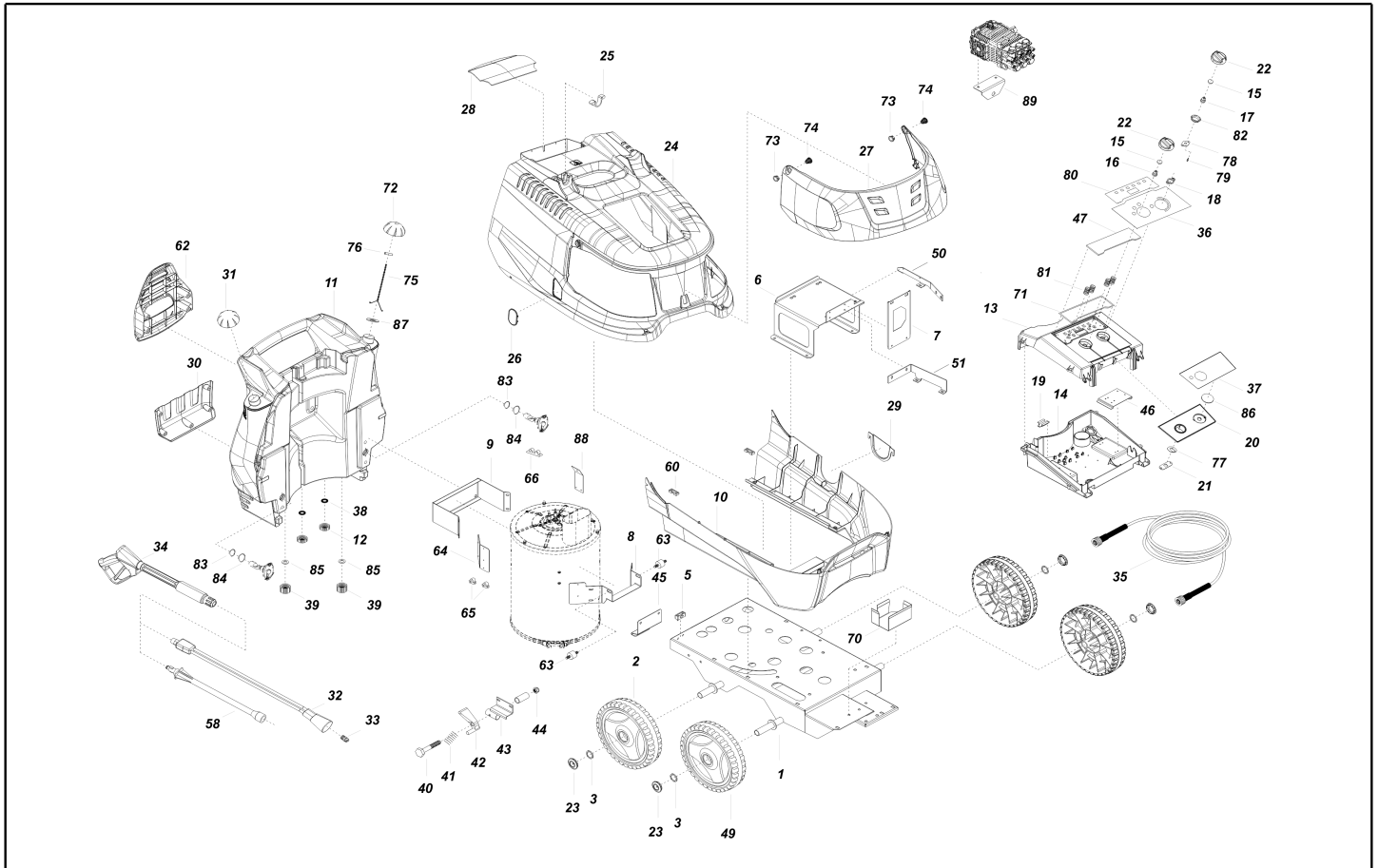
**Spare parts list**

Ref: IDAC41518

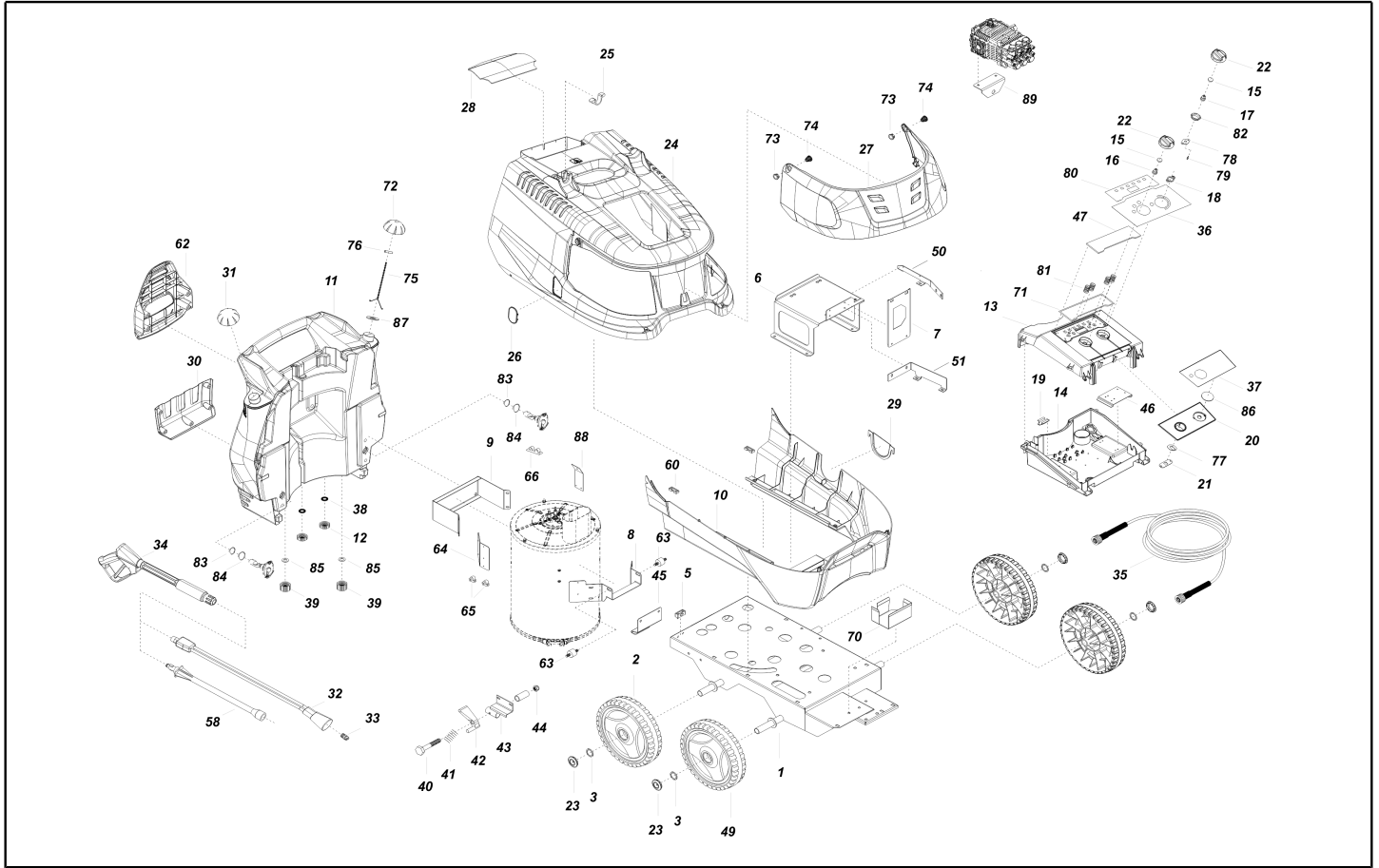
Model: H.P. CLEANER PW-H61/4P D1719P4T400/50N



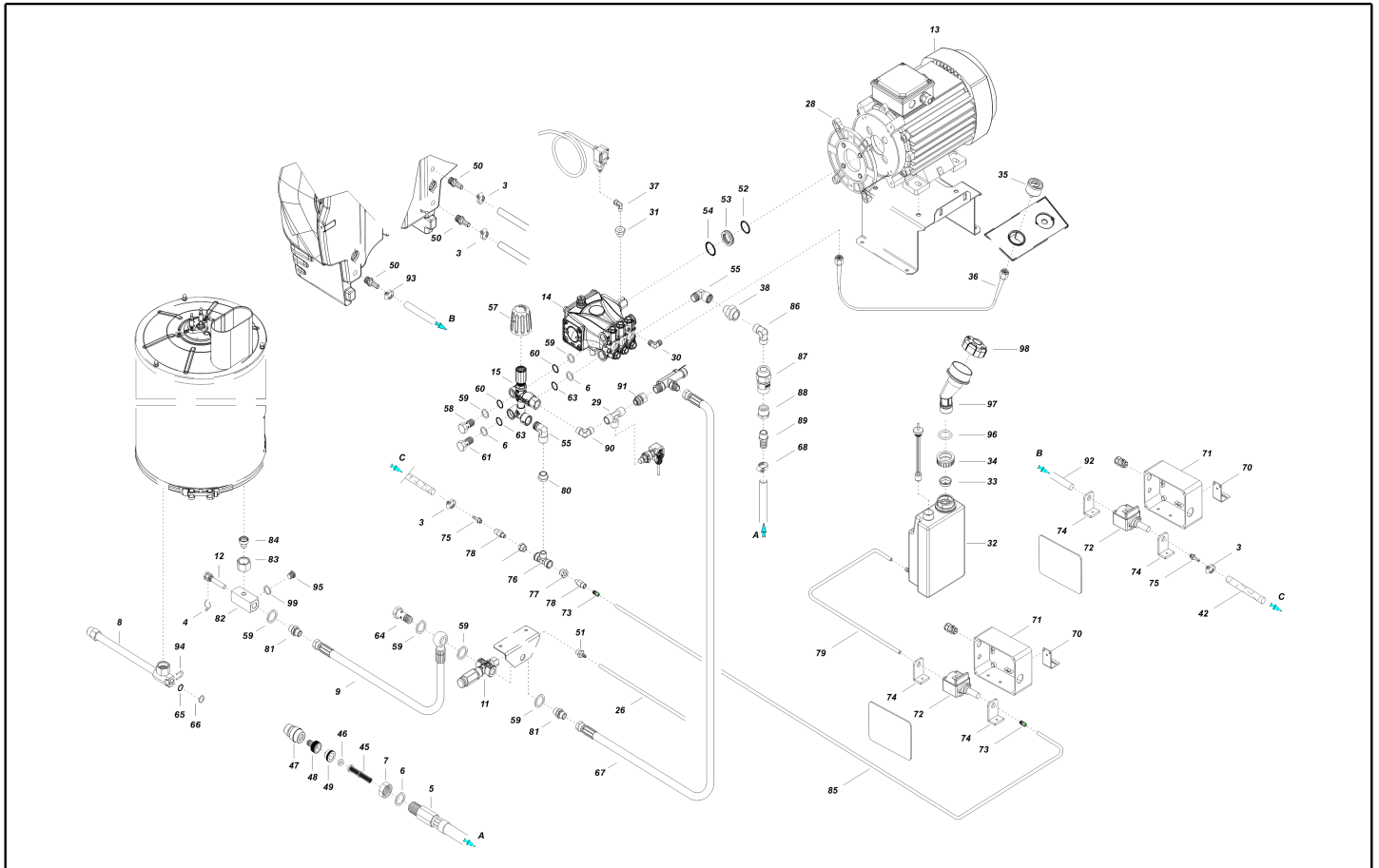
Ref. K	Part n.	Part n. 2	Description	Quantity	Validity		Price
					From	To	
0001	LAFN40761		CHASSIS PW-H50/7.5-4W BK.	1,00			--
0002	RTRT40066		WHEEL D.300-D.25 FLY-IPC/2 GRN	2,00			--
0003	VTRS09813		WASHER D.25	4,00			--
0005	MEVR20906		CABLE CLAMP KSM	1,00			--
0006	LAFN40752		MOTOR SUPPORT PW-H100 ZC.	1,00			--
0007	LAFN41355		SUPPORT PW-H61/7.5 AN.ZC.	1,00			--
0007	LAFN40685		SUPPORT PW-H35/7.5 PS.ZC.	1,00		31/05/2023	--
0007	LAFN41369		SUPPORT PW-H61 PS.ZC.	1,00	01/06/2023		--
0009	LAFN40835		BRACKET PW-H35 PM.2 ZC	1,00			--
0010	MPVR41220		BLACK COVER PW-H101 INF.PP	1,00			--
0012	PVVR11806		DISCHARGE CAP FLL	2,00			--
0013	MPVR41257		BOX COVER PW-H Plus ABS BK.	1,00			--
0014	MPVR41268		CONTROL BOX PW-H101/61 PLUS C/F ABS	1,00			--
0015	GUGO25527		O-RING D. 14 X 3 NBR 70SH	2,00			--
0016	MPVR23482		TAIL PIECE TEC. TUV	1,00			--
0017	MPVR40776		TAIL PIECE THERM.PW-H28 ADV.	1,00		31/10/2016	--
0017	S MPVR40843		TAIL PIECE THERM.PW-H PL.	1,00	01/11/2016		--
0018	S MPVR41903		THICKNESS TERM.IM.PA66	1,00			--
0019	LAFN46067		SUPPORT L.60 P176	2,00			--
0020	MPVR40542		ANT. PANEL PW-H35 ABS BK.	1,00			--
0021	LAFN40922		JUNCTION BOARD PW-H35 D.14 ZC.	1,00			--
0022	MPVR49057		BLACK KNOB P176-M.RACE PA6	2,00			--
0023	MPVR40734		HUB CAP D.50 G-48/IPC GR.368C	4,00			--
0024	MPVR41224		GREEN COVER PW-H61 SUP. PP GR.368C	1,00			--
0024	VTVR40048		HANDWHEEL M 5MAX10 THP20	1,00			--
0024	FSVR62795		PLATE DI FISSAGGIO RPD0074	2,00			--
0025	MPVR40485		RUBBER PW-H35 15-20BK.	1,00			--
0025	MPVR40534		PIN PW-H35 PP BK.	2,00			--
0026	MPVR41227		DOOR PW-H61 PPL NT.	1,00			--
0027	MPVR41225		DOOR PW-H61 PPL NERO	1,00			--
0028	MPVR41226		DOOR PW-H61 PPL NERO	1,00			--
0029	MPVR40532		DOOR PW-H35 PPL BK.INF.	1,00			--
0030	MPVR40533		TOOL HOLDER PW-H35 PP BK.	1,00			--
0031	MPVR45426		TANK CAP P176 PEHD	1,00			--
0032	LCLC40033		LANCE LDP-L35 585P2+AR3-4 +1/4F	1,00			--
0033	UGLN49996		NOZZLE LECH 1/4 2507	2,00			--
0034	IPIP40022		GRIP G 6000+AT.AR4-K +SW.M 2V.	1,00			--
0035	TBAP44379		H.P. HOSE R1 MT 20 5/16" C/2 IRV ZC	1,00			--
0036	ETET41571		LABEL PW-H101/61 PLUS INF.	1,00			--
0037	ETET41550		LABEL PW-H FOMA IDRAUL.	1,00			--
0038	GUGO11489		GASKET D.22X1,5	2,00			--
0039	MPVR20187		RING NUT M 39 X 3	2,00			--
0040	VTVT14480		SCREW TE M 8X80 ZINC. UNI	1,00			--
0041	MLML11917		SPRING D. 14.5 X24 X2.2	1,00			--



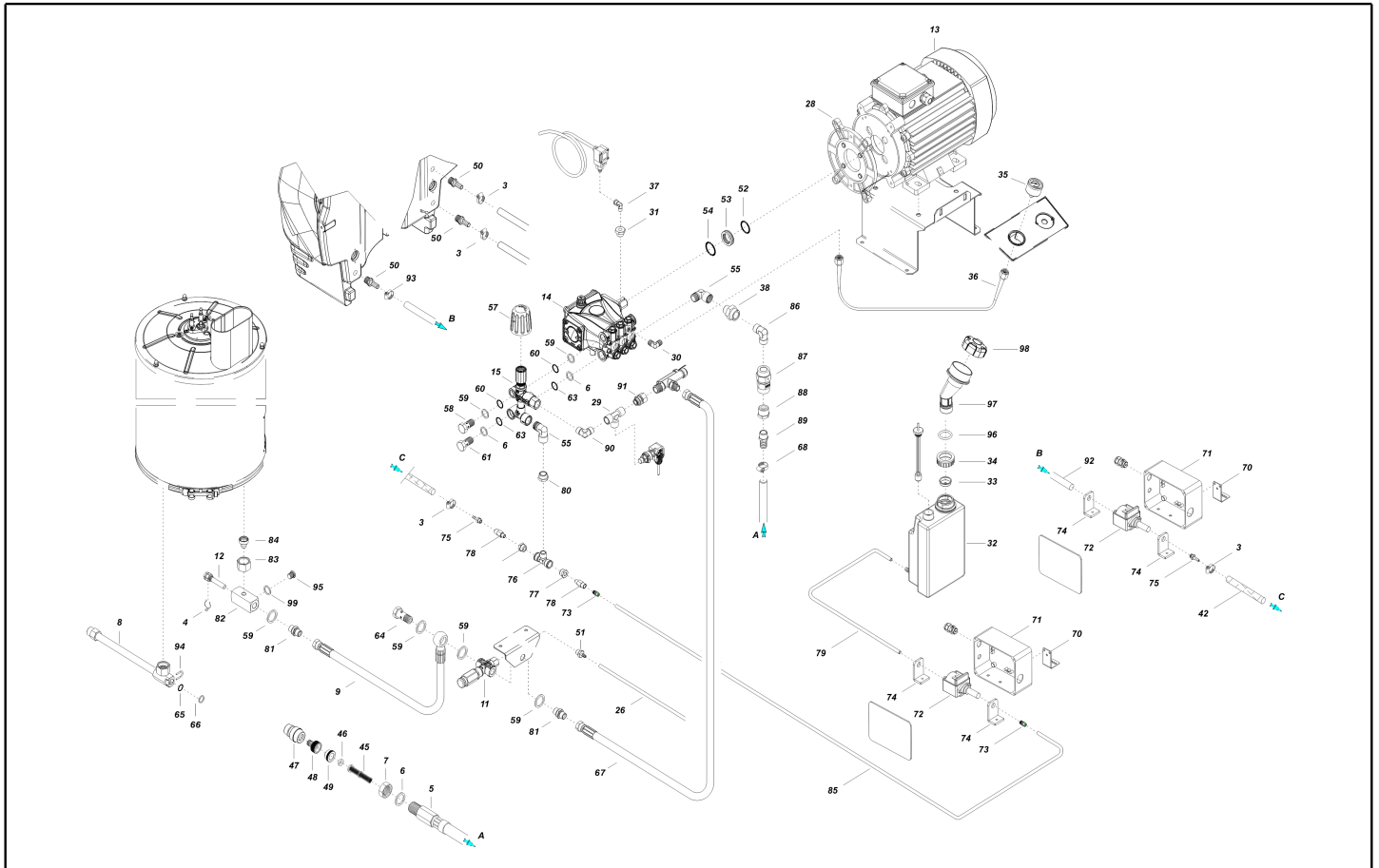
Ref. K	Part n.	Part n. 2	Description	Quantity	Validity		Price
					From	To	
0042	MPVR40751		TRIGGER H28/4W	1,00			--
0043	LAFN40762		BRACKET PW-H50/4W BK.	1,00			--
0044	VTDD00492		NUT M 8 ZINC	1,00			--
0045	LAFN40609		FOOT PW-H35/4W	1,00			--
0047	MPVR41253		PROTECTION PW-H PLUS POLIC.	1,00			--
0049	RTRT40068		WHEEL D.250-D.25X 65 IPC/2 GRN	2,00			--
0050	LAFN40749		SUPPORT BRACKET PW-H100 ANT.	1,00			--
0051	LAFN40751		SUPPORT BRACKET PW-H100 LAT.	1,00			--
0058	LCPR40208		LANCE TRB.TPR-255+L 35+AR3 070	1,00			--
0060	MPVR28554		CABLE FASTNER ELT	2,00			--
0062	MPVR40701		HOSE SUPPORT PW-H35 PP BK.	1,00			--
0064	LAFN41364		SUPPORT BRACKET PW-H/Pls ZC.	1,00			--
0065	MEVR40294		CLIP HE.TYTON	2,00		30/06/2023	--
0066	MEVR40326		CLIP D. 6.00 DB. BK	2,00	01/07/2023		--
0066	MEVR40027		CLIP D. 6.35 DB.	1,00		30/06/2023	--
0070	LAFN40746		SUPPORT BRACKET PW-H100 ZC.	1,00			--
0071	GUGO40120		GASKET 248x 75 x2 POR300/60	1,00			--
0072	MPVR40401		TANK CAP P176 PEHD BL. C/F.	1,00			--
0073	MPVR41229		PIN PW-H61 EST.PP BK	2,00			--
0074	MPVR41230		PIN PW-H61 INT.PP BK	2,00			--
0075	VTVR40026		SMALL CHAIN 13MG. INX L=220 G.V-MS.	1,00			--
0076	LAFN40498		PIN D. 6 X 12-15 IX	1,00			--
0077	LAFN40921		PLATE PW-H35 D.14 ZC.	1,00			--
0078	S LAFN40763		PLATE PW-H28 POT. IX	1,00			--
0079	S VTVR40014		PIN CH. 7 X 10 M4M/M4F NIK.	2,00			--
0080	ETET41546		LABEL PW-H61 PLUS SUP.	1,00			--
0081	MLML00518		SPRING TOUCH CT5	4,00			--
0082	S LAFN40916		BUSHING D. 6- 9 L= 8 BZ.SINT.	1,00	01/11/2016		--
0082	VTVR40053		RING D. 6X 6 ZC.	1,00		31/10/2016	--
0083	GUGO01056		O-RING D. 18.72 X 2.62 NBR 70SH	2,00			--
0084	GUGO01197		O-RING D. 22.22 X 2.62 NBR 70SH	2,00			--
0085	GUGO40074		O-RING D. 37.47 X 5.34 NBR 70SH	2,00	01/06/2023		--
0086	MPVR40924		CAP PW-H35 PVC.BK	1,00			--
0087	VTRS07728		WASHER D. 6 INX	1,00			--
0088	MPVR41243		CABLE BRACKET PW-H PP	1,00			--
0089	LAFN40747		VALVE BRACKET SIC. PW-H100 ZC	1,00			--



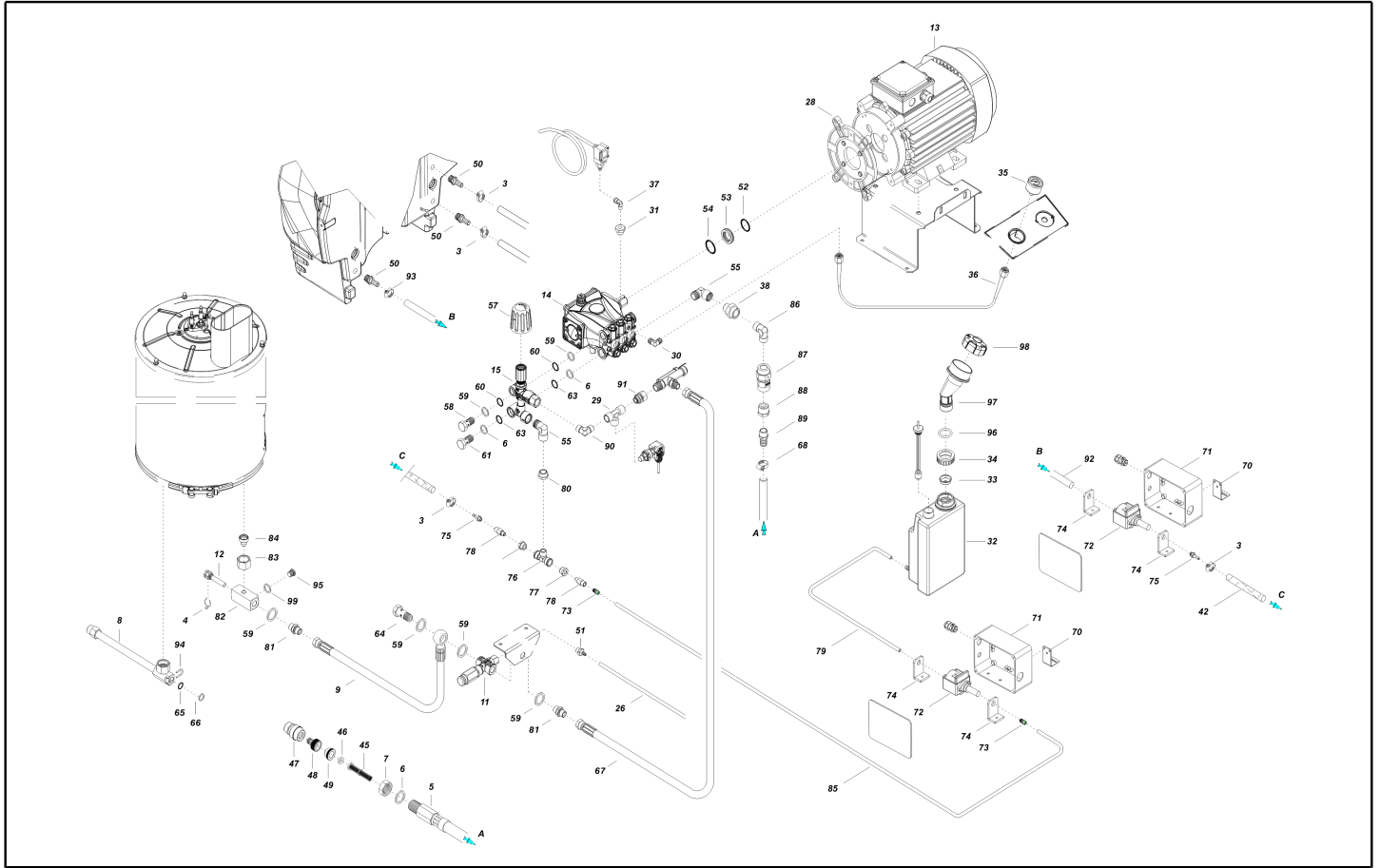
Ref. Part n.	Part n. 2	Description	Reference	Price
KTRI40415		KIT P 20- 4 POT. VSH P11 PW-H	POT 0017 0018 0053 0054 0055	--



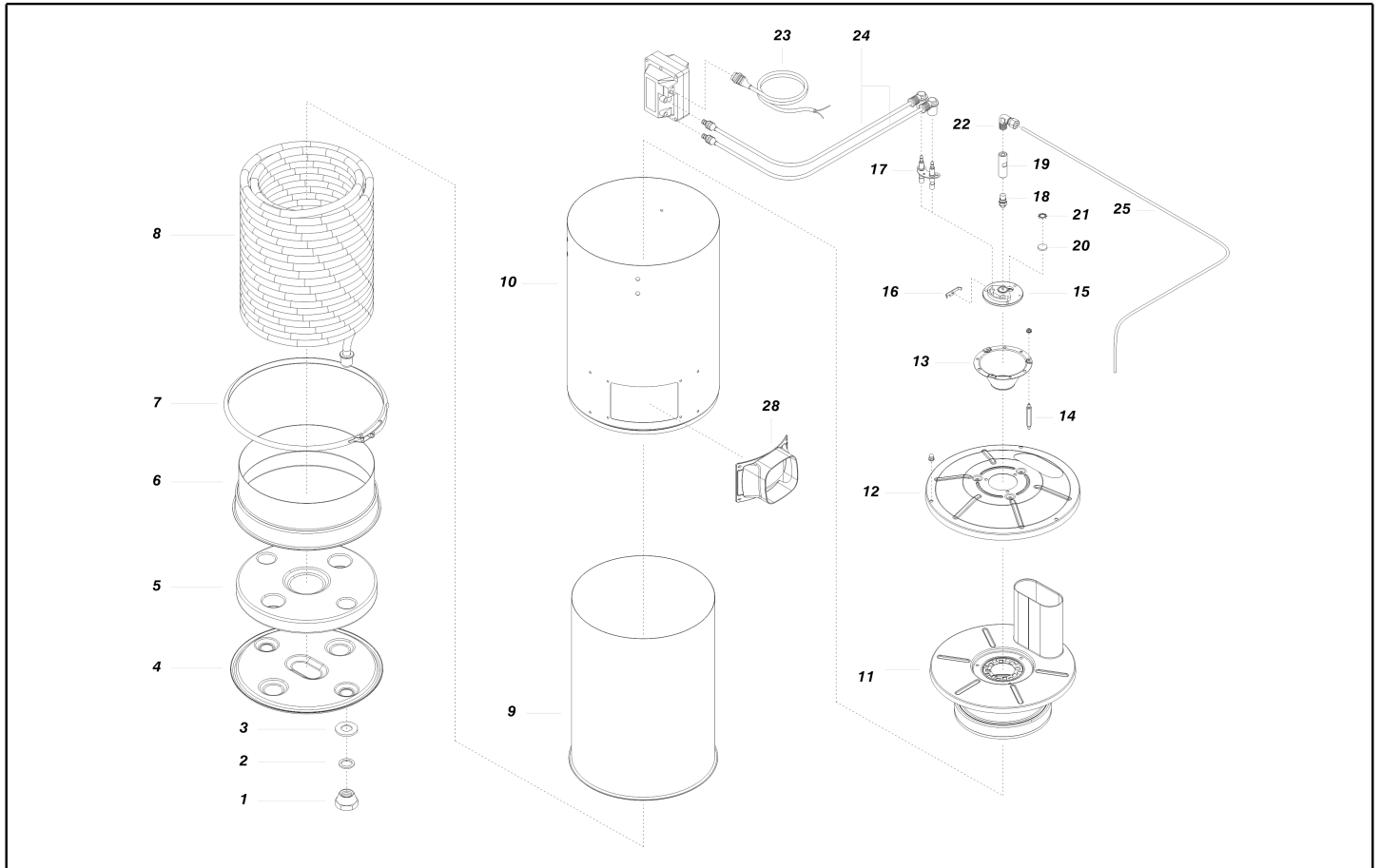
Ref. K	Part n.	Part n. 2	Description	Quantity	Validity		Price
					From	To	
0003	FSVR00427		CLAMP D. 12 CLIC 66-110	2,00			--
0004	MLML02623		SPRING IMT	1,00			--
0005	TBBP40178		L.P. HOSE L=890 1/2M 0°	1,00			--
0006	VTRS00549		WASHER D.21,5X27X1.5 (1/2) RM	1,00			--
0007	RCDS49875		RING NUT 1/2"X 6 CH.27 OT.	1,00			--
0008	KTRI40386		KIT P 13- 14 PW-H50/PM NTC	1,00			--
0008 S	RCDS21118		CONNECTOR KSM	1,00			--
0008 S	RCDS21119		NUT KSM	1,00			--
0008 S	RCDS40319		CONNECTOR G3/8F-1/4-P/NTC+2 M4 C.30	1,00			--
0008 S	RCDS40164		CONNECTOR L=285 2X3/8M CN. ZC.	1,00			--
0008 S	RCIN03753		MALE COUPLING M22-3/8 M-FA	1,00			--
0009	TBAP40265		HOSE-FITTING 3/ 8 R2 L=405 3/8OC -3/8F	1,00			--
0011	VVSC40032		VALVE SVT28 250B. LT.25 G 3/8"	1,00			--
0012	RCDS00593		SUMP IM 0-120 L=50	1,00			--
0013	MOTR40053		3PH MOTOR H35 HP7.5 23-400/50k RR/K	1,00			--
0014	PPAP40151		PUMP RR 18.16 DX N 2V.	1,00			--
0015	VVAZ40062		VALVE VRF-2 AR-R AF S/I. RG	1,00			--
0026	TBBP93804		L.P. HOSE D. 6- 9	0,40			--
0028	MFVR21309		COUNTERFLANGE MEC 90-100-112	1,00			--
0029	RCVR01710		CONNECTOR T 3/8 F/F/OT. A.P.	1,00			--
0030	RCVR12430		ELBOW 1/4" M/M A15	1,00			--
0031	PVVR40175		CAP AR RR C/F. 1/8F+OR	1,00			--
0032	MPVR40698		TANK KSM C/PE.	1,00			--
0033	MPVR18582		CAP D.22	1,00			--
0034	MPVR40739		TANK CAP KSM D.36.2	1,00			--
0035	MNMN93800		PRESSURE GAUGE 1/8 POST. 0-300 D.40 S/ST	1,00			--
0036	TBAP40113		POLYAMIDE HOSE L=420 1/4F GR.-1/8F MN.	1,00			--
0037	RCDS40176		ELBOW 1/8" M/F CN. L=24 OT.	1,00			--
0038	RCVR02594		SLEEVE 1/2 M/F A5	1,00			--
0042	TBBP00051		DETERGENT HOSE D. 6-12	0,40			--
0045	FTAC30214		FILTER D.15X67	1,00			--
0046	GUGO37736		GASKET D. 10- 19 X 5 70SH	1,00			--
0047	RCVR29600		SOCKET PTC 3/4 F	1,00			--
0048	RCVR29602		CONNECTOR D. 1/2"-5/8" PTC	1,00			--
0049	RCVR37806		REDUCTION PTC 3/4-1/2 M/F	1,00			--
0050	RCVR40113		HOSE FITTING 1/8 M D. 5- 7 NIK	2,00			--
0051	RCDS03514		HOSE FITTING 3/8 M D. 5- 7	1,00			--
0052	GUGO21339		O-RING D. 29.82 X 2.62 VIT 70SH	1,00			--
0053	RCDS25578		BUSHING IP WW141 OT.	1,00			--
0054	GUGO21337		O-RING D. 25.07 X 2.62 VIT 70SH	1,00			--
0055	RCVR00575		ELBOW 1/2" M/F A10	2,00			--
0057	MPVR41241		BLACK KNOB VRF-2 IPC	1,00			--
0058	RCDS40172		SCREW 3/8 VRF-2 OT 4F.	1,00			--
0059	VTRS00548		WASHER D.17,5X23X1,5 (3/8)RM	1,00			--



Ref. K	Part n.	Part n. 2	Description	Quantity	Validity		Price
					From	To	
0060	GUGO03510		O-RING D. 12.37 X 2.62 NBR 70SH	2,00			--
0061	RCDS40171		SCREW G 1/2 VRF-2 OT. 2F.	1,00			--
0063	GUGO01048		O-RING D. 15.88 X 2.62 NBR 70SH	2,00			--
0064	RCDS01371		SCREW G 3/8 A.P.	1,00			--
0065	GUGO27030		O-RING D. 6 X 3 VIT 70SH	1,00			--
0066	GLVR40089		ANTI-EXTR.RING D. 6.6X11.9X1.5 PTFE	1,00			--
0067	TBAP40288		HOSE-FITTING 5/16 250b L=360 0-0° 3/8F	1,00			--
0068	FSVR00431		CLAMP D. 16-25	1,00			--
0070	LAFN41352		SUPPORT DET.PUMP. PW-H101 ZN	1,00			--
0070	LAFN41352		SUPPORT DET.PUMP. PW-H101 ZN	1,00			--
0071	MEVR40323		CONTROL BOX GER. 150X110X75 H61/101	1,00			--
0071	MEVR40323		CONTROL BOX GER. 150X110X75 H61/101	1,00			--
0072	PPEL40002		PUMP BY-P.230V E 505/OT 1/8"F	1,00			--
0073	RCVR14043		CONNECTOR DTT 1/8"M C1 D. 6/ 4 NIK	1,00			--
0073	RCVR14043		CONNECTOR DTT 1/8"M C1 D. 6/ 4 NIK	1,00			--
0074	ABGO00010		SUPPORT ANTIVIBRANTE POMPA L15-20	2,00			--
0075	RCDS21900		HOSE FITTING 1/8 M D. 3- 7	1,00			--
0075	RCDS21900		HOSE FITTING 1/8 M D. 3- 7	1,00			--
0076	RCVR40121		CONNECTOR TEE 3/8 F/M/F A12	1,00			--
0077	RCVR03760		REDUCTION 3/8-1/8 M/F	2,00			--
0078	VVSF43615		VALVE 1/8M-F OT. VIT. 250°C	2,00			--
0079	TBBP85832		L.P. HOSE D. 5- 8	0,33			--
0080	RCVR02605		REDUCTION 1/2-3/8 M/F	1,00			--
0081	RCDS00610		NIPPLE 3/8 - 3/8 SV	1,00			--
0081	RCDS00610		NIPPLE 3/8 - 3/8 SV	1,00			--
0082	RCDS40323		CONNECTOR G 1/2F -3/8F +2xG1/4F 30	1,00			--
0083	RCDS21119		NUT KSM	1,00			--
0084	RCDS21118		CONNECTOR KSM	1,00			--
0085	TBBP11756		L.P. HOSE D. 4- 6 RILSAN NTR	0,26			--
0086	RCVR40153		ELBOW 3/4"-1/2" M OT.	1,00			--
0087	VVSF40026		VALVE 3/4 F/F CK100 220bar	1,00			--
0088	RCVR40042		REDUCTION 3/4-1/2 M/F NIK	1,00			--
0089	RCVR73008		HOSE FITTING 1/2 D.17 454/A	1,00			--
0090	RCVR40590		ELBOW 3/8" M A.P. OT.MTM	1,00			--
0091	RCVR00563		SWIVEL RACCORD 3/8 M/F	1,00			--
0092	TBBP93804		L.P. HOSE D. 6- 9	0,35			--
0093	FSVR11957		CLAMP D. 9.5-12 CLIC	1,00			--
0093	FSVR11957		CLAMP D. 9.5-12 CLIC	1,00			--
0094	LAFN40832		PLUG "U" SIST.NTC PW-H INX	1,00			--
0095	RCVR00659		CAP 1/4 M	1,00			--
0096	GUGO89386		O-RING D. 30 X 5 NBR 70SH	1,00			--
0097	MPVR41240		MANIFOLD A.CLCL PW-H61 PP NT.	1,00			--
0098	MPVR40187		TANK CAP P215 PEHD C/F.	1,00			--
0099	VTRS04931		WASHER COPPER D.13X19X1.5	1,00			--

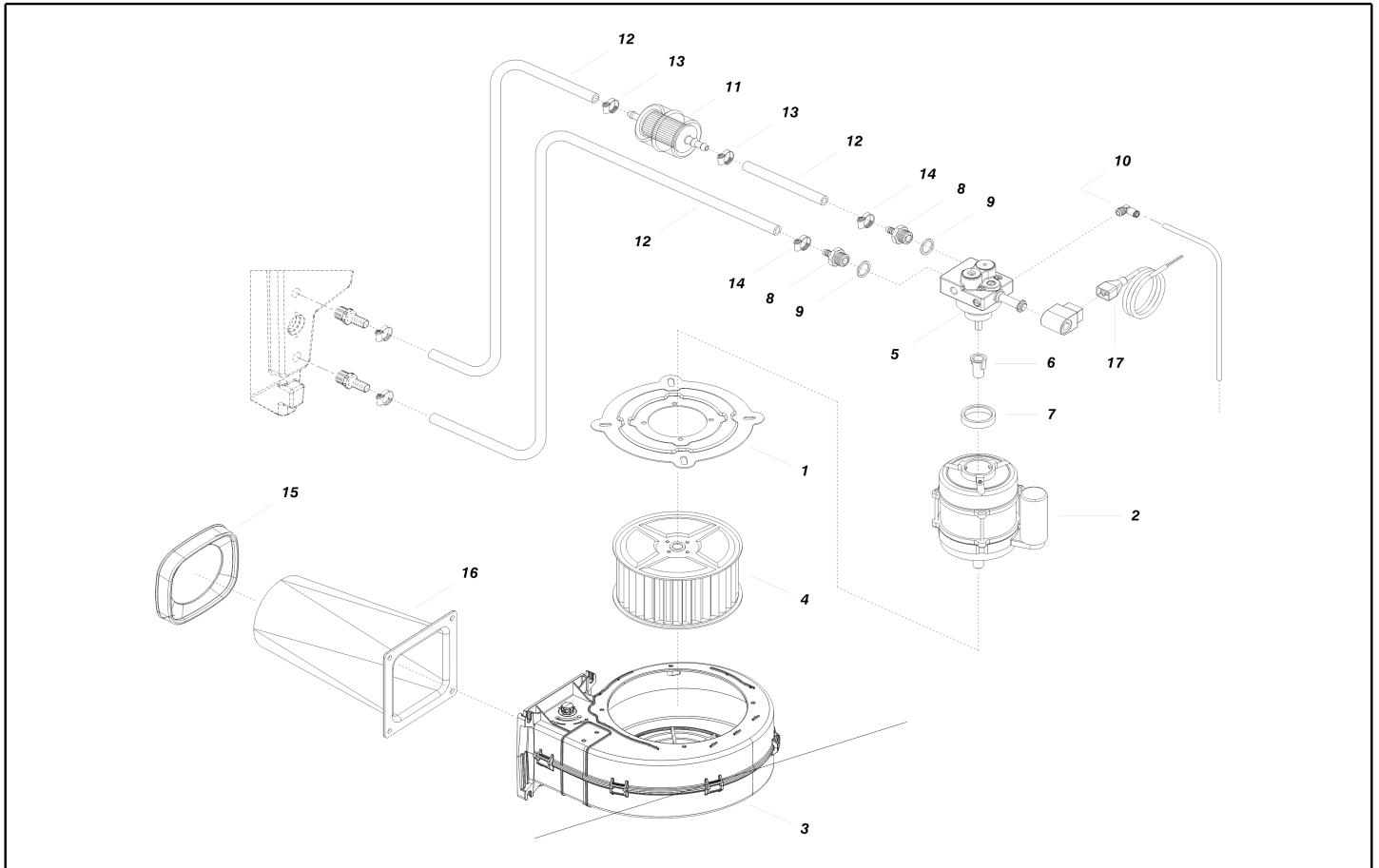


Ref. Part n.	Part n. 2	Description	Reference	Price
0008 KTRI40386		KIT P 13- 14 PW-H50/PM NTC	0008 0008 0008 0008 0008 0008 0008	--

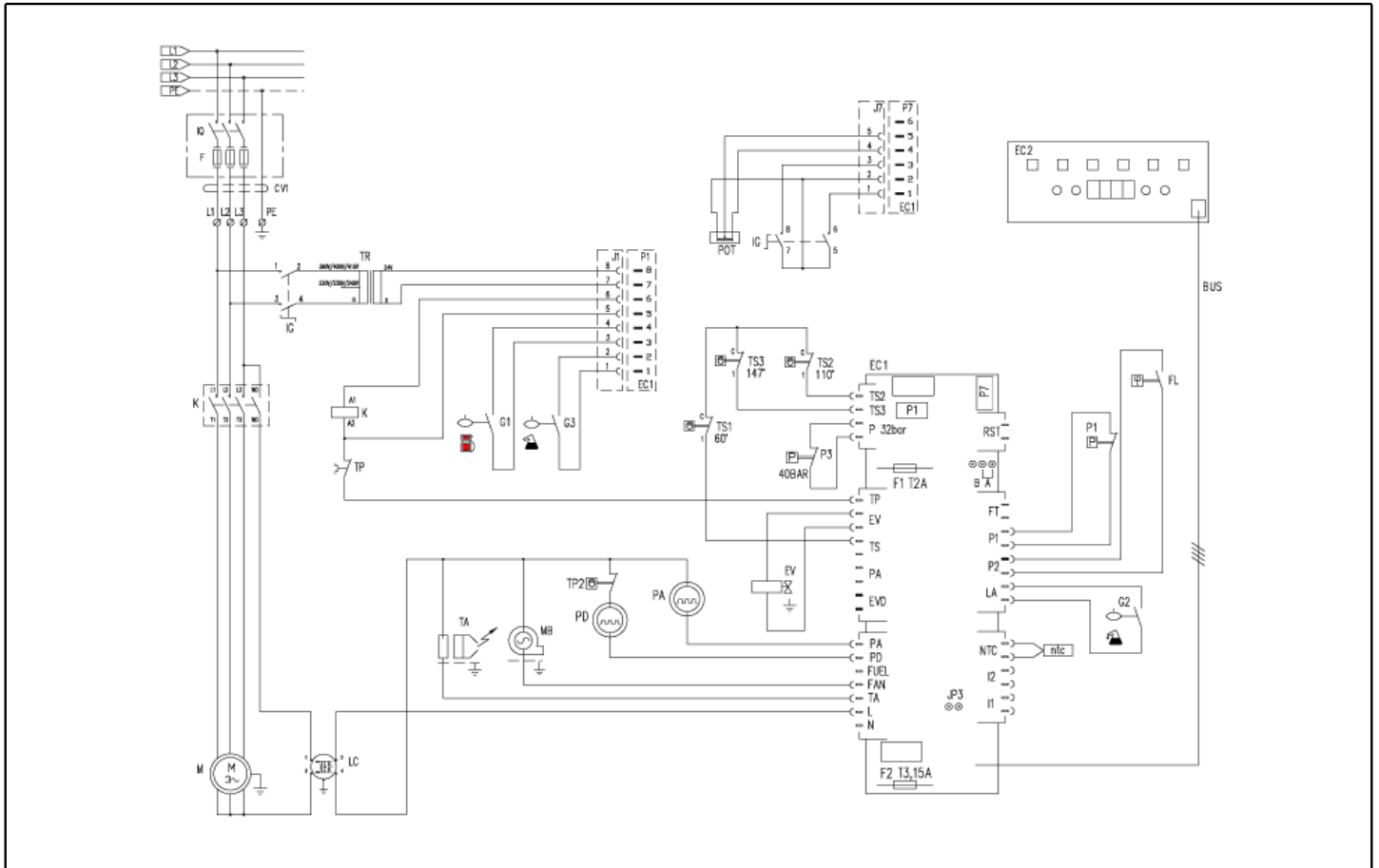


Ref. K	Part n.	Part n. 2	Description	Quantity	Validity		Price
					From	To	
0001	RCDS21120		RING NUT M 26 X 1,5	2,00			--
0002	GUGO21222		O-RING D. 15.54 X 2.62 VIT 80SH	2,00			--
0003	GUVR21021		ANTI-EXTR.RING D. 21 X17 TEF.	2,00			--
0004	LAFN44149		BOILER BOTTOM P176	1,00	15/06/2023		--
0004	LAFN44149		BOILER BOTTOM P176	1,00		14/06/2023	--
0005	ITTE44175		BOTTOM P176 C.TE	1,00	15/06/2023		--
0005	ITTE44175		BOTTOM P176 C.TE	1,00		14/06/2023	--
0006	LAFN44151		BAND P176 INX	1,00	15/06/2023		--
0006	LAFN44151		BAND P176 INX	1,00		14/06/2023	--
0007	LAFN40037		RING D.342 P176 ZN 2V.CPL.	1,00	15/06/2023		--
0007	LAFN40037		RING D.342 P176 ZN 2V.CPL.	1,00		14/06/2023	--
0008	LAGR44154		DOUBLE COIL M26X1.5 P176 30MT	1,00	15/06/2023		--
0009	LASL40101		INT. CYLINDER PM INX	1,00	15/06/2023		--
0009	LASL40101		INT. CYLINDER PM INX	1,00		14/06/2023	--
0010	LAFN40688		EXT. CYLINDER PM-H35/7.5 INX	1,00		14/06/2023	--
0010	LAFN41372		EXT. CYLINDER PM-H61/7.5 INX	1,00	15/06/2023		--
0011	LAFN40269		BOILER COVER SI PM INX	1,00	15/06/2023		--
0011	LAFN40269		BOILER COVER SI PM INX	1,00		14/06/2023	--
0012	LAFN40270		BOILER COVER SE PM INX	1,00	15/06/2023		--
0012	LAFN40270		BOILER COVER SE PM INX	1,00		14/06/2023	--
0013	LAFN44244		BAFFLE P176 30M INX	1,00	15/06/2023		--
0013	LAFN44244		BAFFLE P176 30M INX	1,00		14/06/2023	--
0014	LAFN40271		PIN CH.10 X 67.7 M5M/M5M PM	3,00	15/06/2023		--
0014	LAFN40271		PIN CH.10 X 67.7 M5M/M5M PM	3,00		14/06/2023	--
0015	MFVR18226		ELECTR.HOLDER FUT 3°V	1,00			--
0016	LAFN07641		PLATE INX	1,00			--
0017	MECA12525		ELECTRODE FUT	1,00			--
0018	UGBR31344		BURNER NOZZLE 1.75 60 S	1,00			--
0019	RCDS07642		NOZZLE HOLDER FUT	1,00			--
0020	MPVR18228		OIL WARN-LIGHT D.17 X3	1,00			--
0021	VTAE22633		SEEGER 0.4 X18,30X10,5	1,00			--
0022	RCVR40228		CONNECTOR L 1/8" M D. 4 +OR NBR N	1,00			--
0023	MECB34463		CABLE BT L=800 SP. FD	1,00			--
0024	MECV35335		CABLE A.T. 9,8-23KOHM/M L= 500P	2,00			--
0025	TBBP00123		TUBE RILSAN D. 2- 4 NT.	0,67			--
0028	MPVR88426		CONVEYOR P176 PA6 BK.	1,00	15/06/2023		--

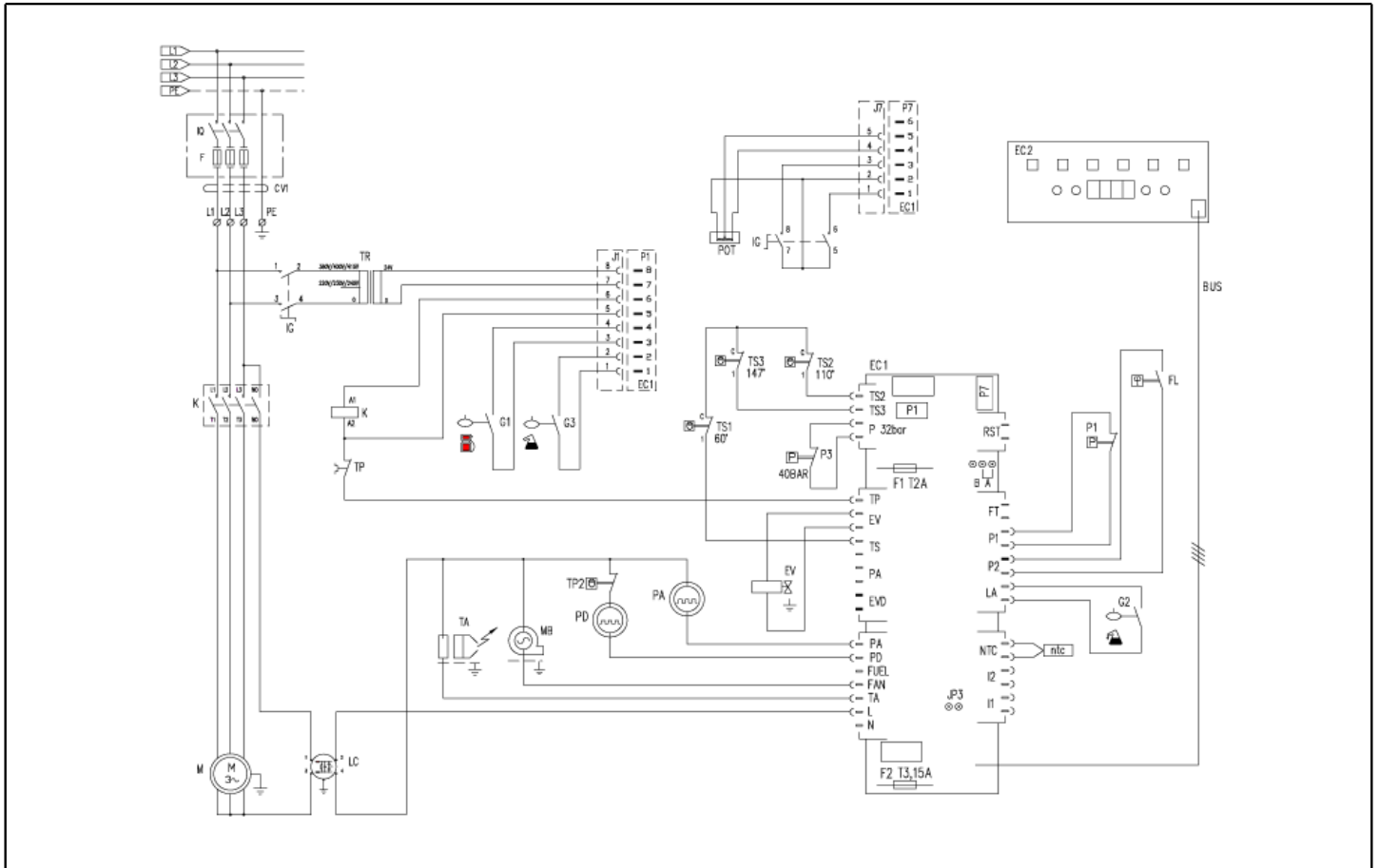




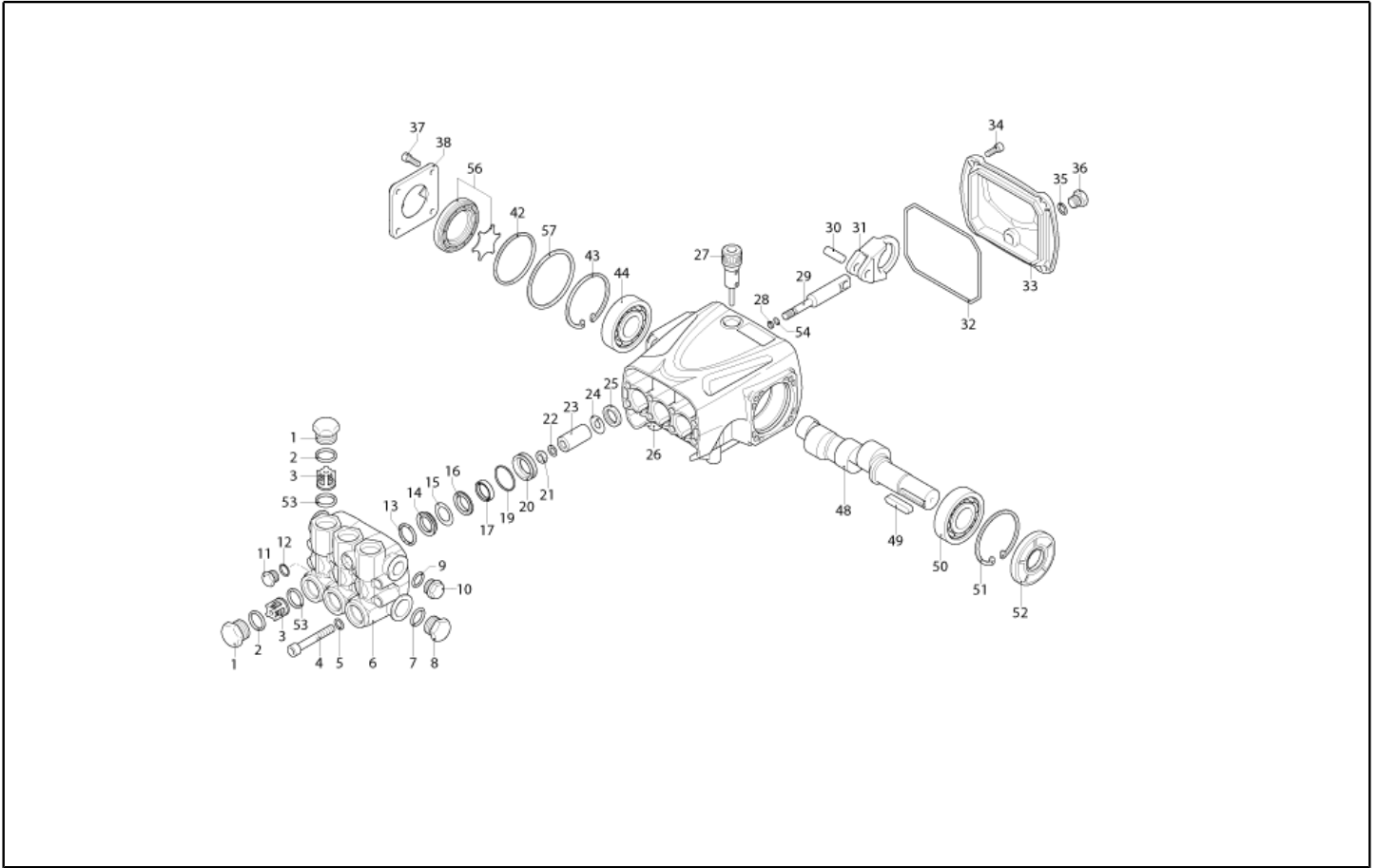
Ref. K	Part n.	Part n. 2	Description	Quantity	Validity		Price
					From	To	
0001	LAFN10272		MOTOR PLATE CB 3	1,00			--
0002	MOMB34119		BURNER MOTOR 230-50 IP44 150W A.OR	1,00			--
0003	MPVR40665		SCROLL CB4 -2PZ.GR.	1,00			--
0004	VEVR34275		IMPELLER D.160-80 D.12.7 36P B.SX	1,00			--
0005	PPGS40010		FUEL PUMP DNF BFA 01L3R1	1,00			--
0006	FGGT36513		JOINT HP 0.25 AACO	1,00			--
0007	GUGO40062		GASKET PW-H100 MOT.BR.	1,00			--
0008	RCDS00626		HOSE FITTING 1/4 M D. 5- 7	1,00			--
0009	VTRS04931		WASHER COPPER D.13X19X1,5	1,00			--
0010	RCVR40228		CONNECTOR L 1/8" M D. 4 +OR NBR N	1,00			--
0011	FTCO10912		FILTER FB 13/T NYL.	1,00			--
0012	TBCO06945		L.P. HOSE D. 6-12 10BAR C.PRESS	0,11			--
0012	TBCO06945		L.P. HOSE D. 6-12 10BAR C.PRESS	1,00			--
0013	FSVR11197		CLAMP D.12.9-13.6	2,00			--
0014	FSVR00427		CLAMP D. 12 CLIC 66-110	1,00			--
0015	GUGO40118		GASKET PW-H EPDM	1,00	15/06/2023		--
0016	MPVR40766		CONVEYOR CB4-H100 PA6	1,00	15/06/2023		--
0017	MECB46130		CABLE DLT L=1100	1,00			--



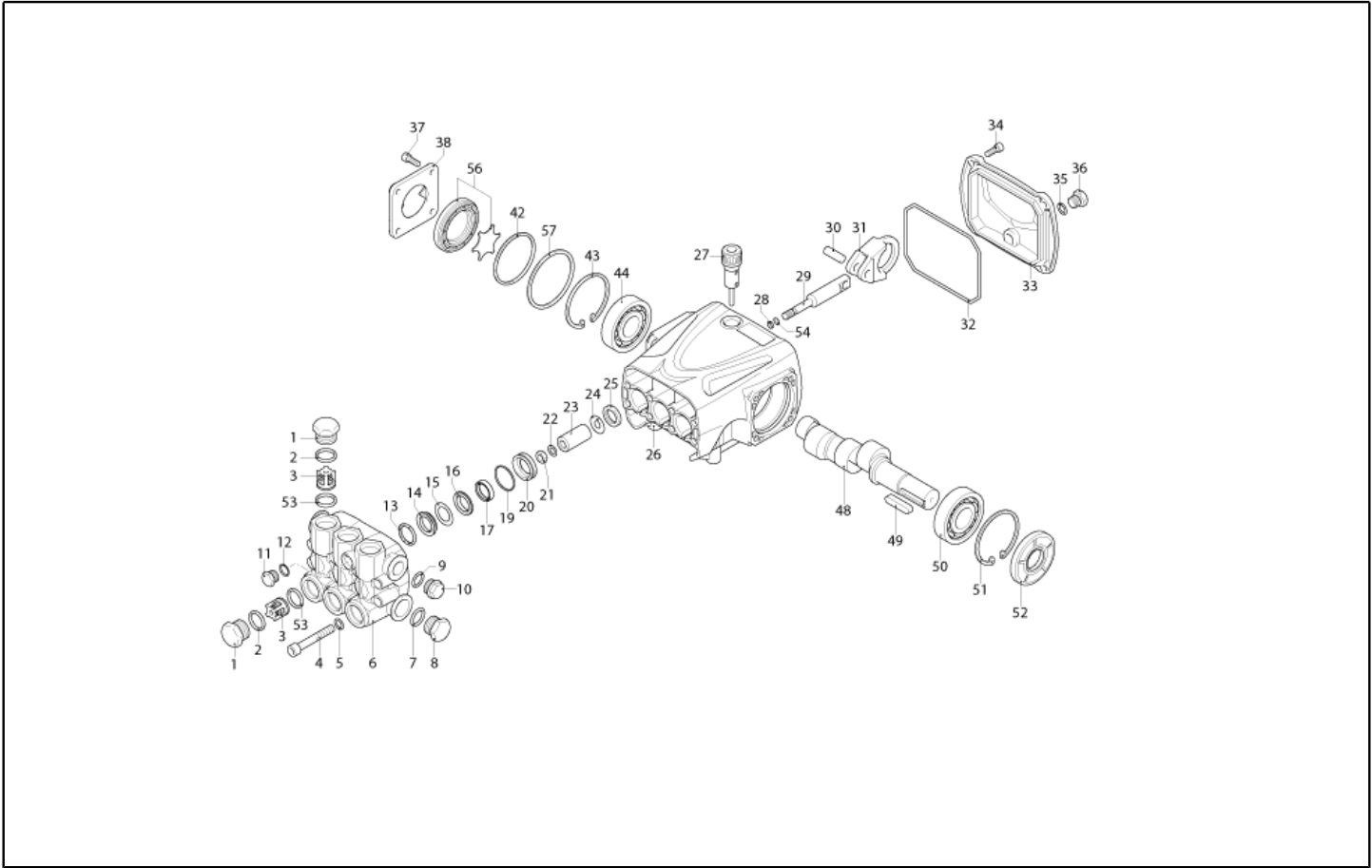
Ref. K	Part n.	Part n. 2	Description	Quantity	Validity		Price
					From	To	
K	METT40010		CONTACTOR SIE 3RT 2017-1AB01 24V	1,00			--
EV	MEBE43704		COIL DNF 24-50	1,00			--
FL	MEPF40051		FLOW SWITCH FS-26 3/8" M 2.0L/M OT.	1,00			--
G2	MECI34444		SWITCH REED N.C.H185 L=1300	1,00			--
IG	MECI40065		COMMUTAT.SWITCH BRM 0-1/4 BIP. 12A V493	1,00			--
LC	MECE46138		FILTER LC RFI 250V 10A	1,00			--
P1	MEPF40063		PRESSURE SWITCH PS2 G3/8M 25BAR	1,00			--
P3	MEPF40070		PRESSURE SWITCH PS2 G1/8M 32BAR	1,00			--
TA	METR88630		TRANSFORMER 23/240V-5/60HZ 2X26KV TR.	1,00			--
TR	METR41580		TRANSFORMER 50VA 400-230/50V	1,00			--
CV1	MECB10518		CABLE H07 RNF 4X1.5 L=6.500	1,00			--
EC1	MECE40113		PCB PW-H PLS. TSI+CO	1,00			--
EC2	MECE40111		DISPLAY PW-H PLS. +CTR.LED	1,00			--
NTC	MEVR40298		PROBE NTC/10K 3435 GLS.TY. CN.	1,00			--
POT S	MEVR40149		POTENTIOMETER VSH P11S1V0FLSY 5/10K LN.	1,00			--
TS1	METK34839		THERMOSTAT 60°C TU V ST T.F. C.1.5	1,00			--
TS2	METK43604		KLIKSON UP62 110°C	1,00			--
TS2	METK40021		THERMOSTAT 110°C TK24-T02 16A 250V	1,00			--
TS3	METK40026		THERMOSTAT 147°C TK24-T02 16A 250V	1,00			--
G1,3	MECI40006		SENSOR LEVEL S1.PML.XD.FPJ FST.	2,00			--



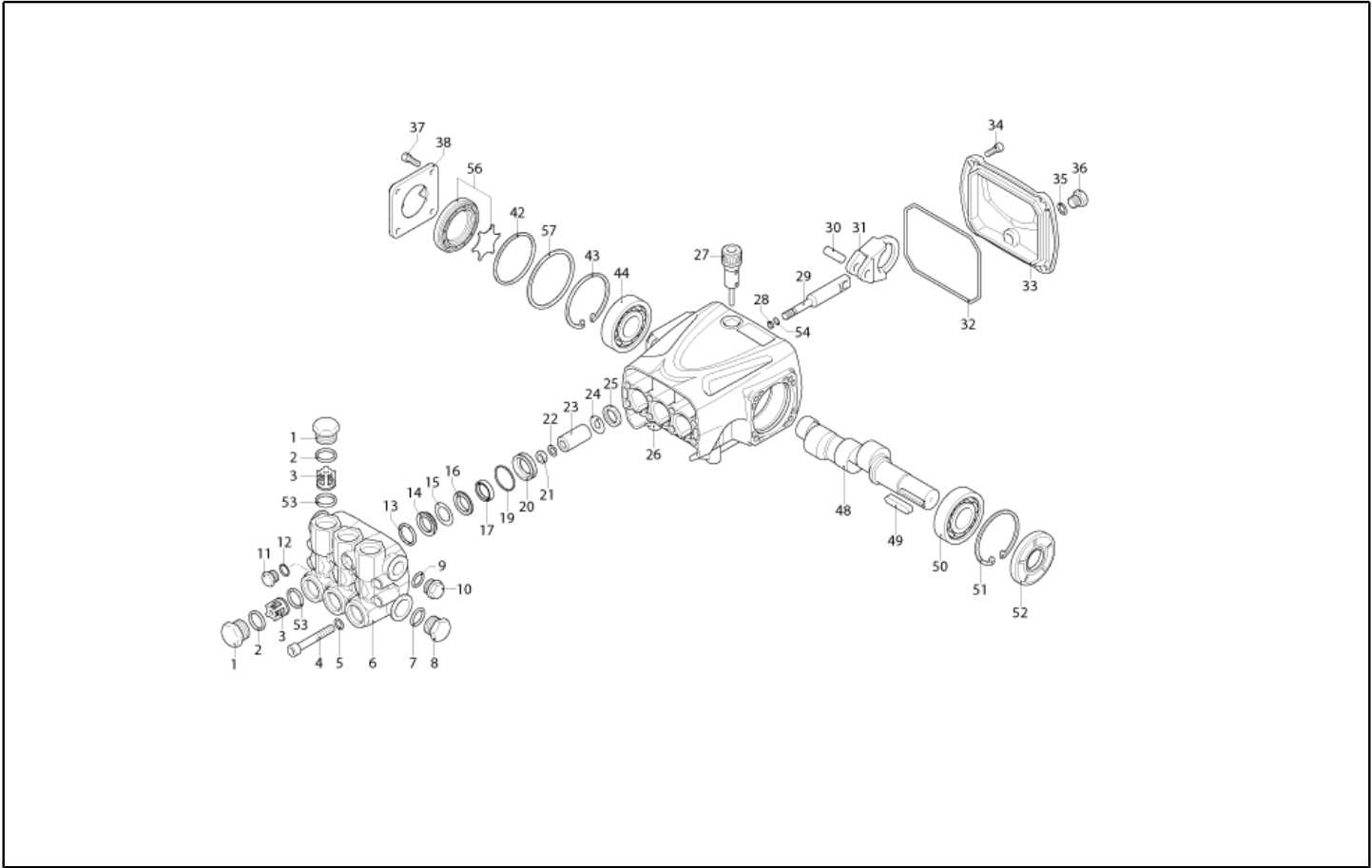
Ref. Part n.	Part n. 2	Description	Reference	Price
POT KTRI40415		KIT P 20- 4 POT. VSH P11 PW-H	POT 0017 0018 0053 0054 0055	--



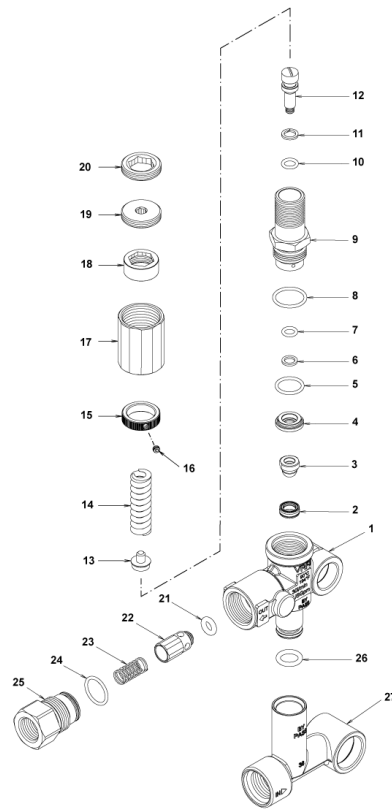
Ref. K	Part n.	Part n. 2	Description	Quantity	Validity		Price
					From	To	
0001	PVVR40161		CAP AR RR	6,00			--
0002	GUGO03502		O-RING D. 17.86 X 2.62 NBR 70SH	6,00			--
0003	S VVAM40003		VALVE UNIT RR	6,00			--
0004	VTVT63018		SCREW TCEI M 8X55 ZC U.5931	8,00			--
0005	VTRS14242		WASHER D. 8.4X13X0.8 UNI7064 SCH	8,00			--
0006	MFVR40028		HEAD AR RR OT.	1,00			--
0007	GUGO19245		O-RING D. 17.5 X 2 NBR 70SH	1,00			--
0008	PVVR40121		CAP 1/2 M RC	1,00			--
0009	GUGO09720		O-RING D. 14 X 1.78 NBR 70SH	1,00			--
0010	PVVR40099		CAP 3/8 M HRM	1,00			--
0011	PVVR40129		CAP 1/4 M RC	1,00			--
0012	GUGO01036		O-RING D. 10.82 X 1.78 NBR 70SH	1,00			--
0013	S PVVR40122		HEAD RING D. 18 RC	3,00			--
0014	S GUVR40035		PACKING D. 18 RC H.P.	3,00			--
0015	S GUVR40043		ANTI-EXTR.RING D.18X28	3,00			--
0016	S PVVR40162		INTERMED. RING D. 18 RR	3,00			--
0017	S GUVR40122		PACKING D. 18 RC L.P. 2V.	3,00			--
0019	S GUGO19290		O-RING D. 23.52 X 1.78 NBR 70SH	3,00			--
0020	S PVVR40565		PACKING RETAIN. D. 18 RR 2V.	3,00			--
0021	VTDD00483		NUT M 8 ZIN UNI 5588	3,00			--
0022	VTRS19394		WASHER D. 8X13X0.5	3,00			--
0023	S PIVR40007		PISTON D.18 RR	3,00			--
0024	PVVR19233		DISC XTS	3,00			--
0025	S GUGO09690		OIL SEAL 15X 24X 5 NBR70	3,00			--
0026	MFVR40030		PUMP CRANKCASE AR RR	1,00			--
0027	PVVR19231		OIL CAP XTS	1,00			--
0028	GUGO08071		O-RING D. 4.48 X 1.78 NBR 70SH	3,00			--
0029	PVVR40176		PISTON GUIDE RR	3,00			--
0030	PVVR40178		GUDGEON D. 9 RR	3,00			--
0031	BLVR40002		CONNECTING ROD RR	3,00			--
0032	GUGO40017		O-RING D. 107.62 X 2.62 NBR 70SH	1,00			--
0033	MFVR40029		CRANKCASE COVER AR RR	1,00			--
0034	VTVT09913		SCREW TCEI 6X16 UNI5931	4,00			--
0035	GUGO01036		O-RING D. 10.82 X 1.78 NBR 70SH	1,00			--
0036	PVVR40129		CAP 1/4 M RC	1,00			--
0037	VTVT09913		SCREW TCEI 6X16 UNI5931	4,00			--
0038	MFVR40021		CRANKCASE COVER AR RC LT.	1,00			--
0042	GUGO09030		O-RING 56X82 X2.62 - NBR	1,00			--
0043	VTAE10405		CIRCLIP D. 62 UNI 7437	1,00			--
0044	CUVR09654		BALL BEARING 6305	1,00			--
0048	ALMO40013		SHAFT AR RR 18LT VRS. N	1,00			--
0049	VTVR41531		KEY 8X 7X35 UNI 6604A	1,00			--
0050	CUVR09654		BALL BEARING 6305	1,00			--
0051	VTAE10405		CIRCLIP D. 62 UNI 7437	1,00			--



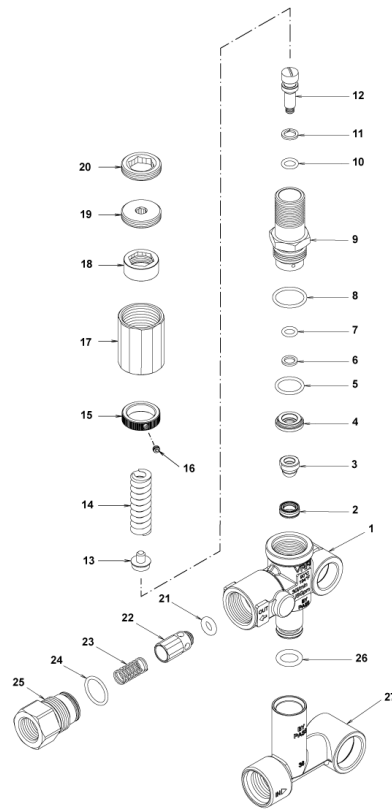
Ref. K	Part n.	Part n. 2	Description	Quantity	Validity		Price
					From	To	
0052	S	GUGO40018	OIL SEAL 25X 62X 8 NBR70	1,00			--
0053	S	GUGO02259	O-RING D. 15.54 X 2.62 NBR 70SH	6,00			--
0054		GUVR40044	ANTI-EXTR.RING D. 5 X 8 X1	3,00			--
0056		PVVR40473	OIL INDICATOR RR CPL.	1,00			--
0057		PVVR40566	RING D. 61.8 X57.8 X0.5	1,00			--



Ref. Part n.	Part n. 2	Description	Reference	Price
KTRI40095		KIT P 15-42903 D.18 RC	0013	--
KTRI40142		KIT P 15-42909 RR	0003 0053	--
KTRI40143		KIT P 15-42904 D.18 RR	0023	--
KTRI40144		KIT P 15-42922 RR	0025 0052	--
KTRI40515		KIT P 15-46146 D.18 RR 2V.	0014 0015 0017 0019	--
KTRI40516		KIT P 15-46147 D.18 RR 2V.	0016 0020	--
KTRI40517		KIT P 15-2008 D.18RR 2V.	0017 0019 0020	--

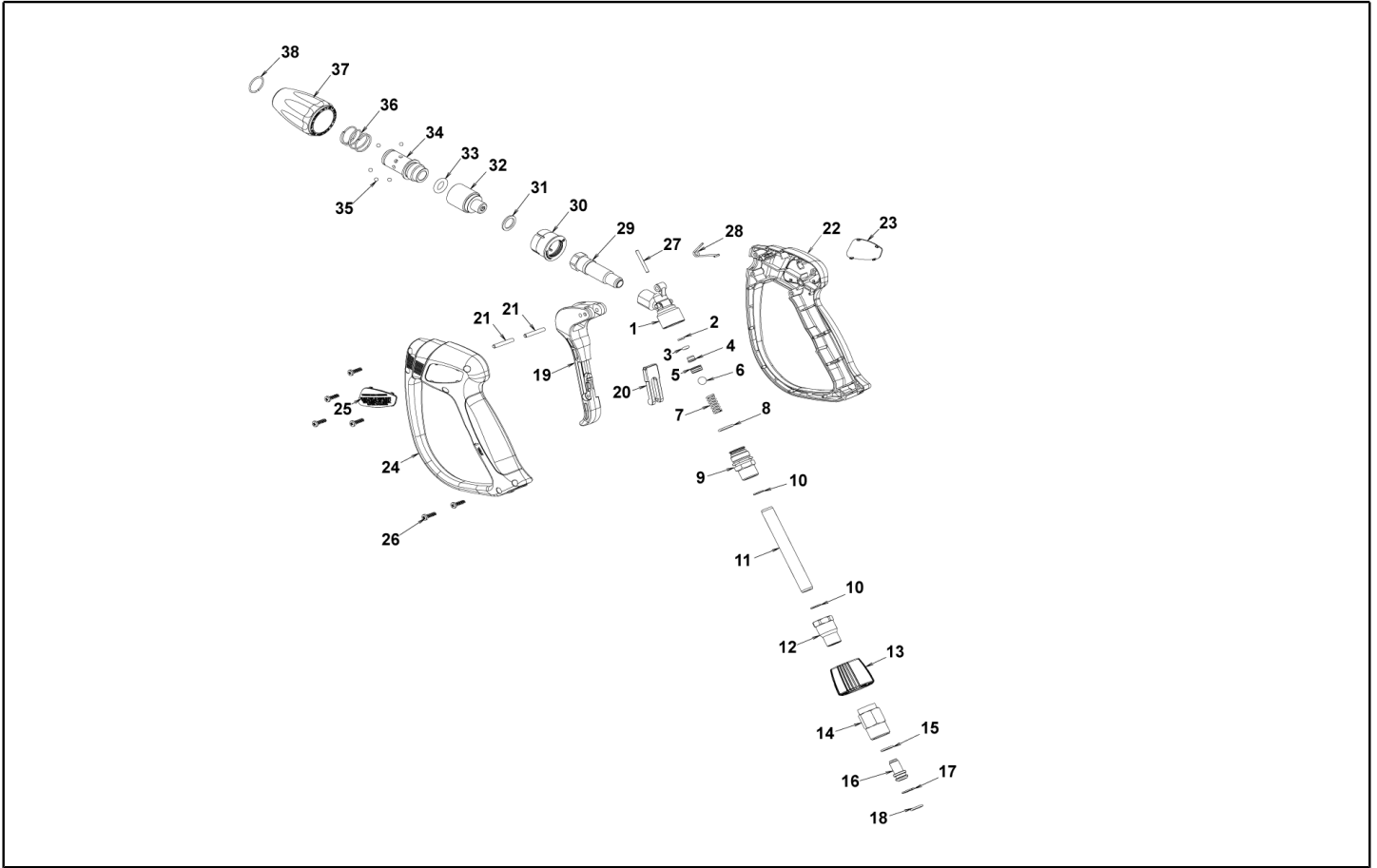


Ref. K	Part n.	Part n. 2	Description	Quantity	Validity		Price
					From	To	
0001	PVVR40362		VALVE BODY VRF2	1,00			--
0002	S	PVVR40363	VALVE SEAT MV124 +OR	1,00			--
0003	S	PVVR40364	COUPLING MV124	1,00			--
0004	S	PVVR40365	SPACER MV124	1,00			--
0005	S	GUGO12322	O-RING D. 14 X 1.78 NBR 90SH	1,00			--
0006	S	GUVR40072	ANTI-EXTR.RING D. 6.5X 9.4	1,00			--
0007	S	GUGO83861	O-RING D. 6.07 X 1.78 NBR 90SH	1,00			--
0008	S	GUGO24913	O-RING D. 17.17 X 1.78 NBR 90SH	1,00			--
0009	S	PVVR40388	CONNECTOR VRF2 RG.165 56A	1,00			--
0010	S	GUGO03500	O-RING D. 6.75 X 1.78 NBR 70SH	1,00			--
0011	S	GUVR40073	ANTI-EXTR.RING D. 7.1X10 X1.2 TBT	1,00			--
0012	S	PVVR40367	SMALL PISTON D.10 VRF2	1,00			--
0013	S	PVVR40368	SPRING PLATE MV124 25B	1,00			--
0014	S	MLML47987	SPRING D. 3.25X41.1 MV 625	1,00			--
0015	S	PVVR40369	RING NUT MV167.09	1,00			--
0016	S	VTVT89696	SCREW EI-ST 4X 4 UNI5927 ZC	1,00			--
0017	S	PVVR47989	CAP MV 625 REG.	1,00			--
0018	S	PVVR47990	RING NUT MV 625 REG.	1,00			--
0019	S	PVVR47991	REGISTER MV 625 REG.	1,00			--
0020	S	PVVR47992	CLAMP MV 625 REG.	1,00			--
0021	S	GUGO46053	O-RING D. 6 X 3 NBR 90SH	1,00			--
0022		PVVR40349	COUPLING VRT3	1,00			--
0023		MLML40026	SPRING VRT3	1,00			--
0024	S	GUGO12321	O-RING D. 15.6 X 1.78 NBR 90SH	1,00			--
0025		PVVR40350	CONNECTOR VRT3 G 3/8F	1,00			--
0026		GUGO11225	O-RING D. 10.78 X 2.62 NBR 70SH	1,00			--
0027		PVVR40373	CONNECTOR VRF2.24	1,00			--

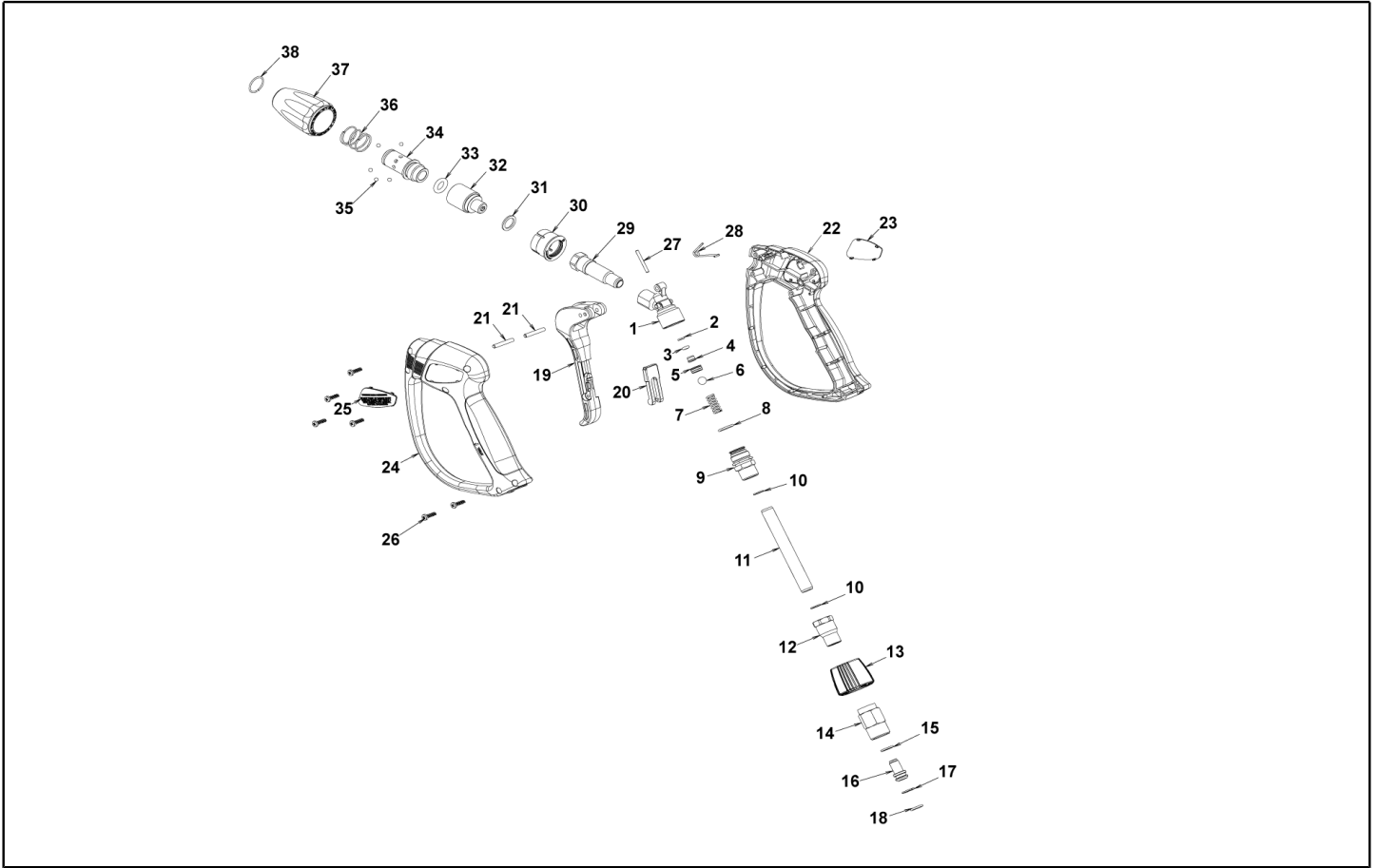


Ref. Part n.	Part n. 2	Description	Reference	Price
KTRI40256		KIT P 14-105 VRF2 Reg.	0002 0003 0004 0005 0006 0007 0008 0009 0010 0011 0012 0013 0014 0015 0016 0017 0018 0019 0020	--
KTRI40237		KIT P 14-104 SET GUARNIZIONI	0002 0003 0005 0006 0007 0008 0010 0011 0021 0024	--





Ref. K	Part n.	Part n. 2	Description	Quantity	Validity		Price
					From	To	
0001	PVVR40381		GUN BODY G 5100 G1/4F	1,00			--
0002	S	GUVR40074	ANTI-EXTR.RING D. 3 X 7.4X1.3	1,00			--
0003	S	GUGO21835	O-RING D. 2.84 X 2.62 VIT. 80SH	1,00			--
0004	PVVR40382		PISTON GUIDE G 5100	1,00			--
0005	S	PVVR40563	BALL SEAT AL36 G6000 + OR	1,00			--
0006	S	SFVR40004	BALL D. 5/16" ALL.GR16	1,00			--
0007	MLML40047		SPRING D. 9.4 x23.5x1.6 G6000	1,00			--
0008	GUGO12322		O-RING D. 14 X 1.78 NBR 90SH	1,00			--
0009	PVVR40383		CONNECTOR COLL.G5100 1/4F	1,00			--
0010	VTRS40017		WASHER D. 8.2X11,4X1.00	2,00			--
0011	PVVR40384		TUBE G 1/4" L.105	1,00			--
0012	RCIN40022		CONNECTOR SWIV G5100 1/4F	1,00			--
0013	MPVR40967		RING NUT G 6000 SW. GR.	1,00			--
0014	RCIN40021		JOINT SWIV 5100 M22	1,00			--
0015	S	GUVR40075	ANTI-EXTR.RING D. 10 X14X1.5	1,00			--
0016	PVVR40386		SCREW SW. G 5100	1,00			--
0017	S	GUVR40076	ANTI-EXTR.RING D. 11.2X14X1.2	1,00			--
0018	S	GUGO15295	O-RING D. 10.82 X 1.78 VIT 75SH	1,00			--
0019	MPVR40820		TRIGGER G 6000-SW	1,00			--
0020	MPVR40821		SAFETY-DEVICE G 6000-SW	1,00			--
0021	VTVR40047		PLUG D. 4X29	2,00			--
0022	MPVR40822		SHELL G 6000-SW DX	1,00			--
0023	MPVR40968		PLATE G 6000/2 GR.DX	1,00			--
0024	MPVR40824		SHELL G 6000-SW SX	1,00			--
0025	MPVR40825		PLATE G 6000 GR.SX	1,00			--
0026	VTVT40043		SCREW AF 4X 14 HILO ZN.N	6,00			--
0027	PVVR40564		SMALL PISTON G 6000 AL36 SP.	1,00			--
0028	MLML40029		SPRING G 5100	1,00			--
0029	PVVR40521		CONNECTOR AL55 G1/4F	1,00			--
0030	MPVR40856		PROTECTION AR 4	1,00			--
0031	VTRS48089		WASHER D.13,5X18 X1,5 RM.	1,00			--
0032	PVVR40522		CONNECTOR AR 4 G1/4 M OT	1,00			--
0033	GUGO40079		O-RING D. 11 X 4 VIT 75SH	1,00			--
0034	PVVR40523		JOINT BODY AR 4 OT	1,00			--
0035	SFVR40003		BALL D.5/32" AISI 420C I.3290	8,00			--
0036	MLML40043		SPRING D. 23 X24.0 D.1.4 IX	1,00			--
0037	PVVR40524		KNOB AR 4 INS.OT	1,00			--
0038	VTAE40010		CIRCLIP D.18 -D.1.5 AR 4	1,00			--



Ref. Part n.	Part n. 2	Description	Reference	Price
KTRI40243		KIT P 26- 26 SWIVEL G 5100	0015 0017 0018	--
KTRI40513		KIT P 26- 36 G 6000/II	0002 0003 0005 0006	--