



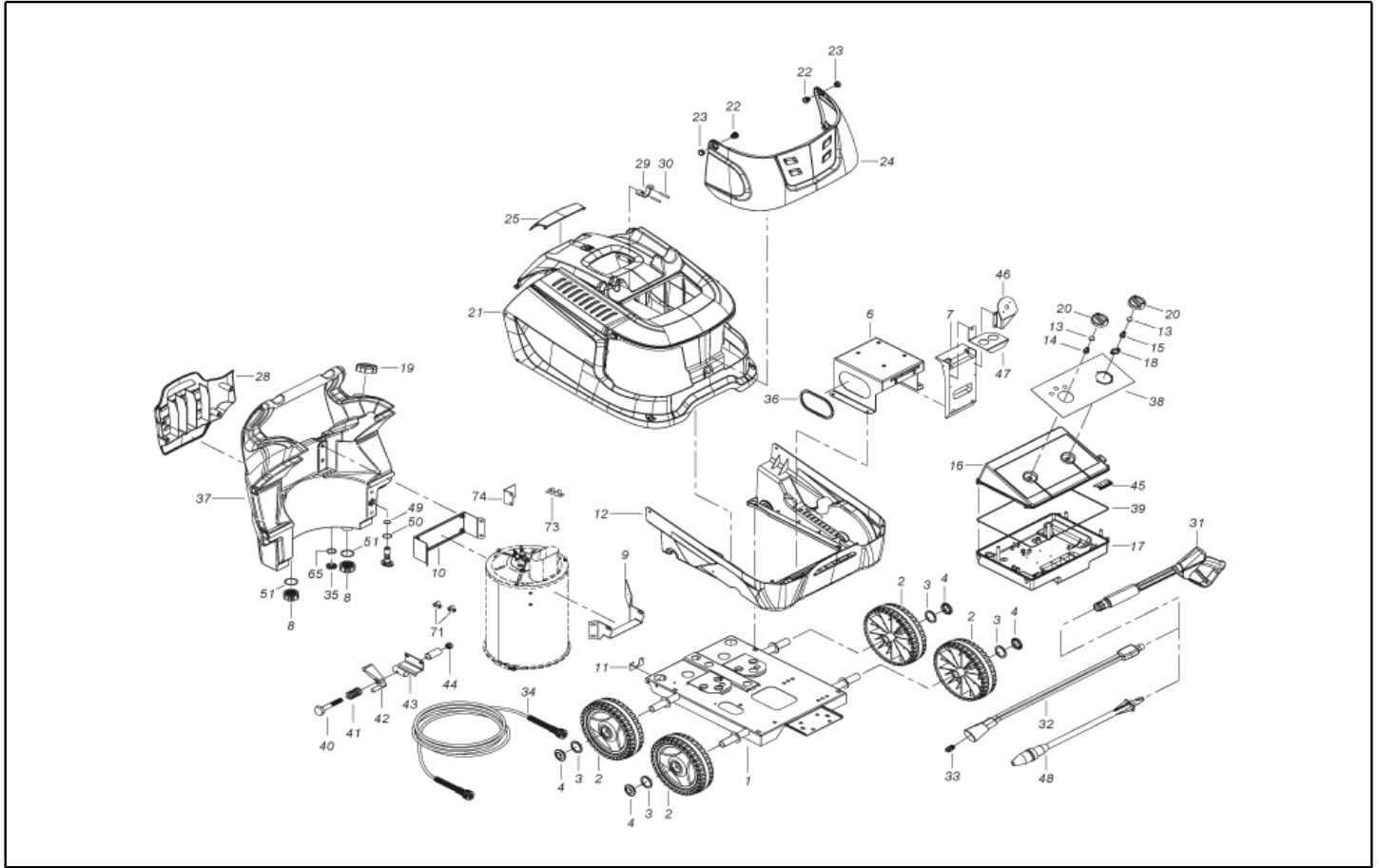
IPC

Spare parts list

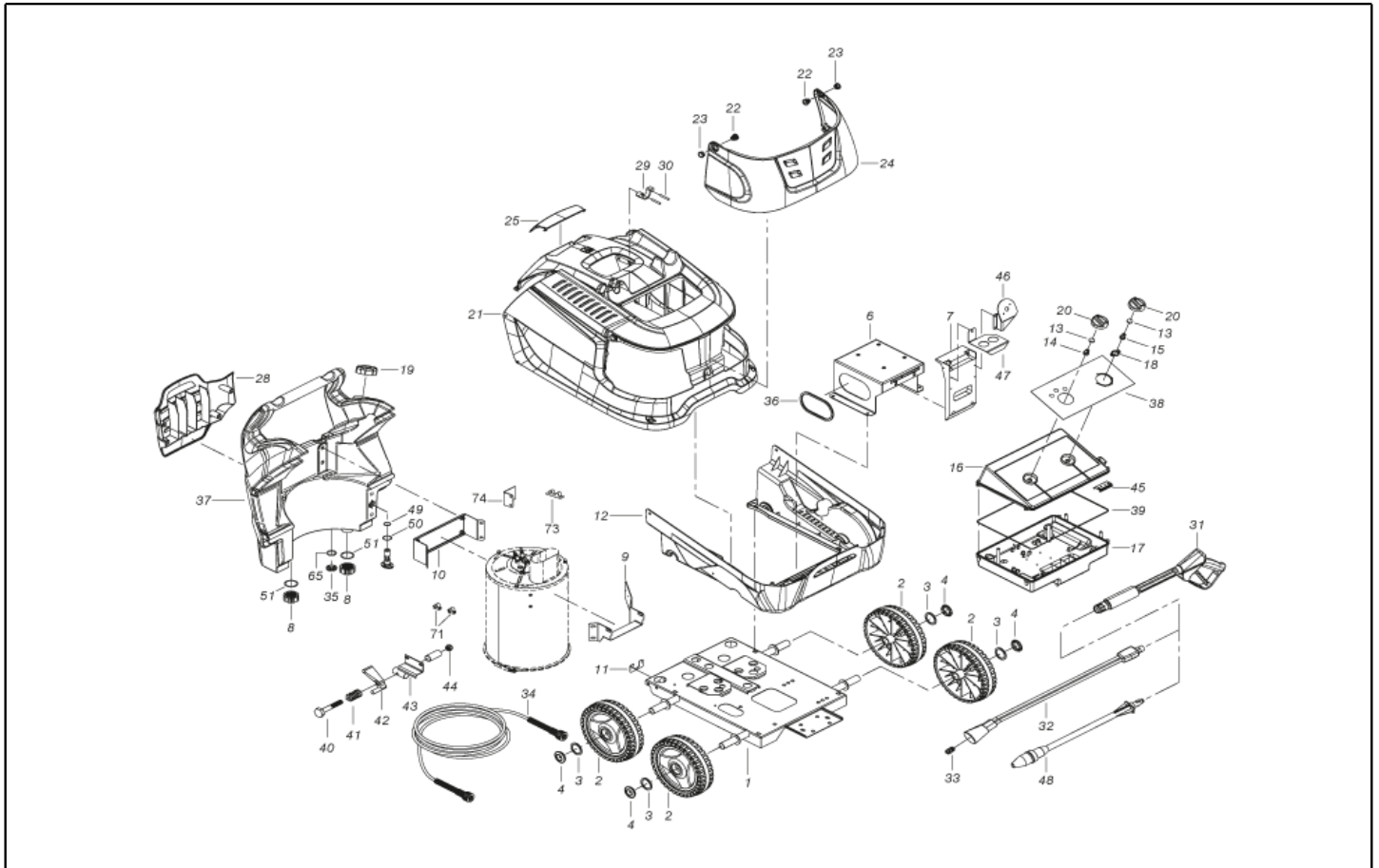
Ref: IDAC41509

Cust.ref: 146707

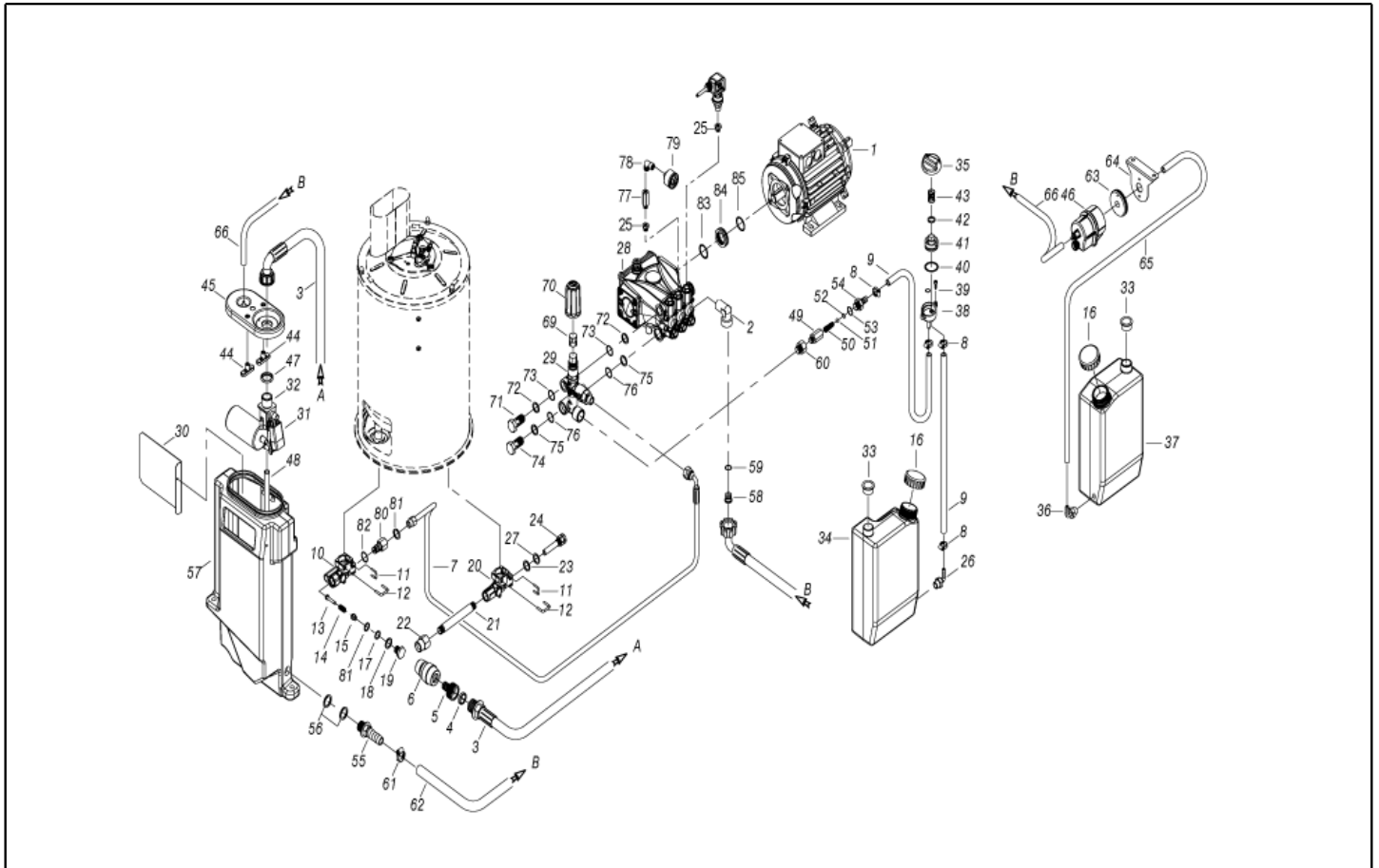
Model: H.P. CLEANER PW-H41/4 D1814P4 T230/50N



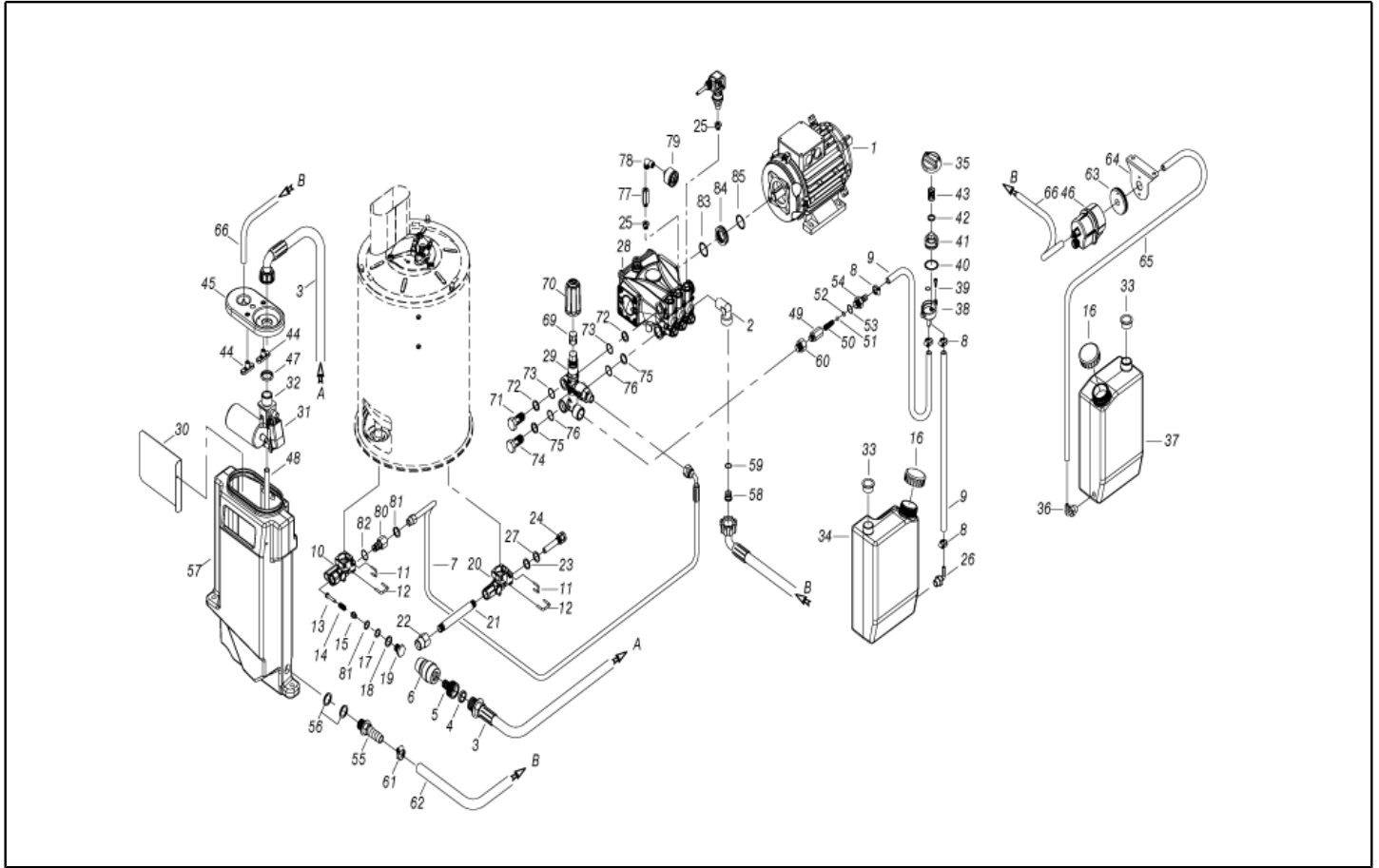
| Ref. K | Part n. | Part n. 2 | Description | Quantity | Validity | | Price |
|--------|-----------|-----------|---|----------|------------|------------|-------|
| | | | | | From | To | |
| 0001 | LAFN40998 | | TROLLEY PW-H28/4W BK. 2V. | 1,00 | | | -- |
| 0002 | RTRT40068 | | WHEEL D.250-D.25X 65 IPC/2 GRN | 4,00 | | | -- |
| 0003 | VTRS09813 | | WASHER D.25 | 4,00 | | | -- |
| 0004 | MPVR40734 | | HUB CAP D.50 G-48/IPC GR.368C | 4,00 | | | -- |
| 0006 | LAFN40724 | | MOTOR SUPPORT PW-H28 6.0HP ZC. | 1,00 | | | -- |
| 0007 | MPVR33534 | | BOX SUPPORT MST PA 66 | 1,00 | | | -- |
| 0008 | MPVR20187 | | RING NUT M 39 X 3 | 2,00 | | | -- |
| 0009 | LAFN41326 | | SUPPORT PW-H28 PM 2V.ZC. | 1,00 | | | -- |
| 0010 | LAFN40980 | | BRACKET PW-H28 PM/2 ZC | 1,00 | | | -- |
| 0011 | LAFN40707 | | BRACKET PW-H28 ZC | 1,00 | | | -- |
| 0012 | MPVR40685 | | BLACK COVER PW-H28 INF.PP | 1,00 | | | -- |
| 0013 | GUGO25527 | | O-RING D. 14 X 3 NBR 70SH | 2,00 | | | -- |
| 0014 | MPVR23482 | | TAIL PIECE TEC. TUV | 1,00 | | | -- |
| 0015 | MPVR23484 | | TAIL PIECE THERM.KSM TUV | 1,00 | | | -- |
| 0016 | MPVR40809 | | BOX COVER PW-H28 ABS BK. C/F.Sc.Led | 1,00 | | | -- |
| 0017 | MPVR40748 | | CONTROL BOX PW-H28/ADVANC. ABS BK. | 1,00 | | | -- |
| 0018 | MPVR41903 | | THICKNESS TERM.IM.PA66 | 1,00 | | | -- |
| 0019 | MPVR40187 | | TANK CAP P215 PEHD C/F. | 1,00 | | 14/11/2022 | -- |
| 0019 | MPVR45426 | | TANK CAP P176 PEHD | 1,00 | 15/11/2022 | | -- |
| 0020 | MPVR49057 | | BLACK KNOB P176-M.RACE PA6 | 2,00 | | | -- |
| 0021 | MPVR41233 | | GREEN COVER PW-H31 SUP.PP GR.368C | 1,00 | | | -- |
| 0022 | MPVR41230 | | PIN PW-H61 INT.PP BK | 2,00 | | | -- |
| 0023 | MPVR41229 | | PIN PW-H61 EST.PP BK | 2,00 | | | -- |
| 0024 | MPVR41234 | | DOOR PW-H31 PPL BK | 1,00 | | | -- |
| 0025 | MPVR41235 | | DOOR PW-H31 PT.PPL BK | 1,00 | | | -- |
| 0028 | MPVR40688 | | TOOL HOLDER PW-H28 PP BK. | 1,00 | | | -- |
| 0029 | MPVR40485 | | RUBBER PW-H35 15-20BK. | 1,00 | | | -- |
| 0030 | MPVR40534 | | PIN PW-H35 PP BK. | 2,00 | | | -- |
| 0031 | IPPR40031 | | GRIP G 4000+P.330 +M22 SW.M V | 1,00 | | | -- |
| 0032 | LCPR89117 | | DOUBLE EXTENS. PD 70 M22 M -1/4F INX MV | 1,00 | | | -- |
| 0033 | UGLN49986 | | NOZZLE LECH 1/4 1504 | 2,00 | | | -- |
| 0034 | TBAP44379 | | H.P. HOSE R1 MT 20 5/16" C/2 IRV ZC | 1,00 | | | -- |
| 0035 | PVVR11806 | | DISCHARGE CAP FLL | 1,00 | 01/07/2018 | | -- |
| 0035 | RCVR40146 | | CAP 3/8 M OT.NIK EI 8 +OR | 1,00 | | 30/06/2018 | -- |
| 0036 | GUVR13437 | | EDGE H=10 | 0,40 | | | -- |
| 0037 | MPVR40805 | | TANK PW-H28 C/F.Liv. PE BK. | 1,00 | | | -- |
| 0038 | ETET41581 | | LABEL PW-H31.QR1 IPN PLC | 1,00 | | | -- |
| 0039 | GUGO33675 | | JOINT MOUSSE D. 4 | 1,30 | | | -- |
| 0040 | VTVT14480 | | SCREW TE M 8X80 ZINC. UNI | 1,00 | | | -- |
| 0041 | MLML11917 | | SPRING D. 14.5 X24 X2.2 | 1,00 | | | -- |
| 0042 | MPVR40751 | | TRIGGER H28/4W | 1,00 | | | -- |
| 0043 | LAFN40713 | | BRACKET PW-H28/4W BK. | 1,00 | | | -- |
| 0044 | VTDD00492 | | NUT M 8 ZINC | 1,00 | | | -- |
| 0045 | LAFN46067 | | SUPPORT L.60 P176 | 1,00 | | | -- |



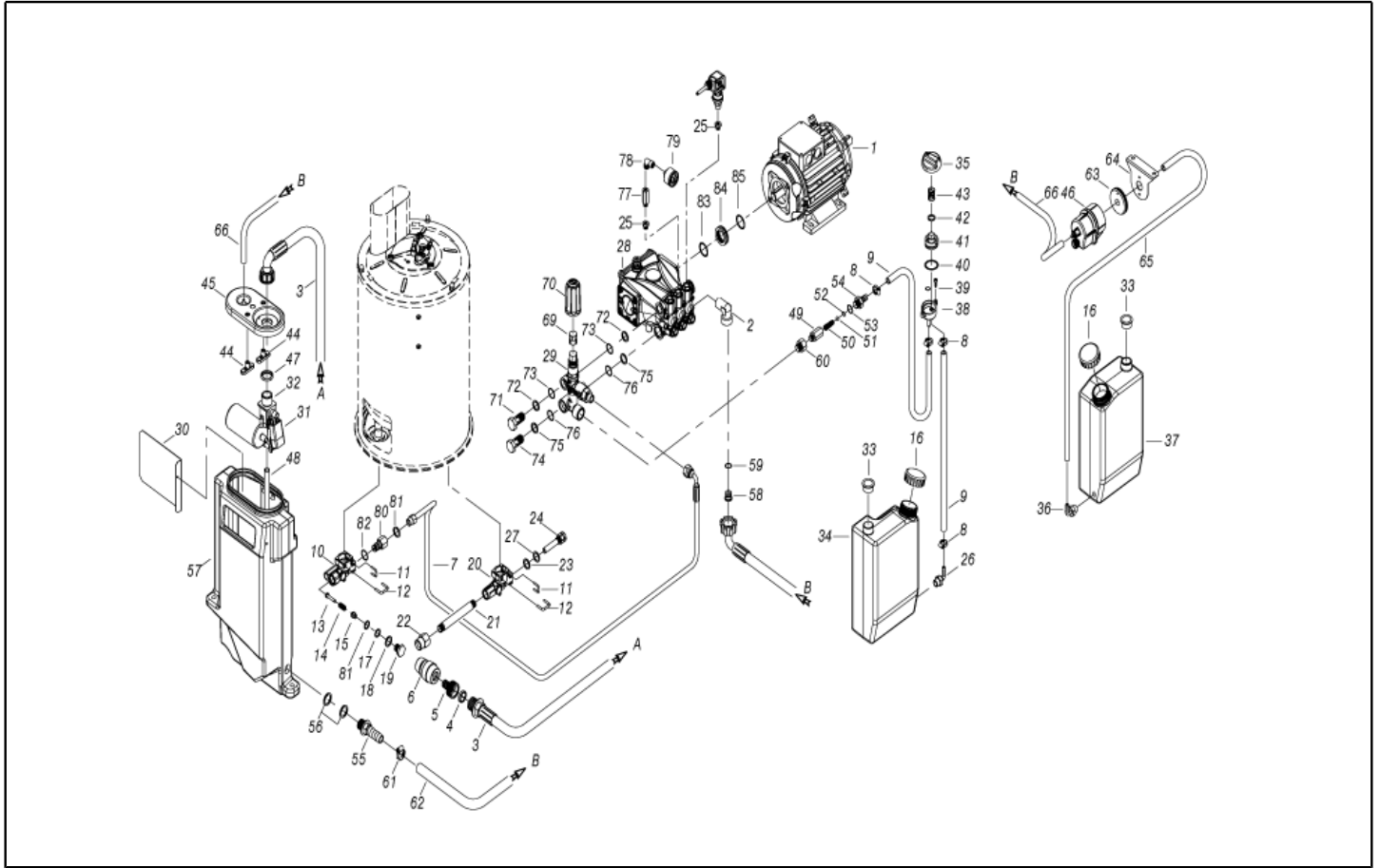
| Ref. K | Part n. | Part n. 2 | Description | Quantity | Validity | | Price |
|--------|-----------|-----------|---------------------------------|----------|------------|----|-------|
| | | | | | From | To | |
| 0046 | LAFN40721 | | SUPPORT PW-H28 ZC | 1,00 | | | -- |
| 0047 | LAFN41337 | | BRACKET PW-H28 2V. ZC. | 1,00 | | | -- |
| 0048 | LCPR40054 | | LANCE TURBO TPR-255+SF230 040 | 1,00 | | | -- |
| 0049 | GUGO01056 | | O-RING D. 18.72 X 2.62 NBR 70SH | 1,00 | | | -- |
| 0050 | GUGO01197 | | O-RING D. 22.22 X 2.62 NBR 70SH | 1,00 | | | -- |
| 0051 | GUGO40074 | | O-RING D. 37.47 X 5.34 NBR 70SH | 2,00 | | | -- |
| 0065 | GUGO11489 | | GASKET D.22X1,5 | 1,00 | 01/07/2018 | | -- |
| 0071 | MEVR40294 | | CLIP HE.TYTON | 2,00 | | | -- |
| 0073 | MEVR40027 | | CLIP D. 6.35 DB. | 1,00 | | | -- |



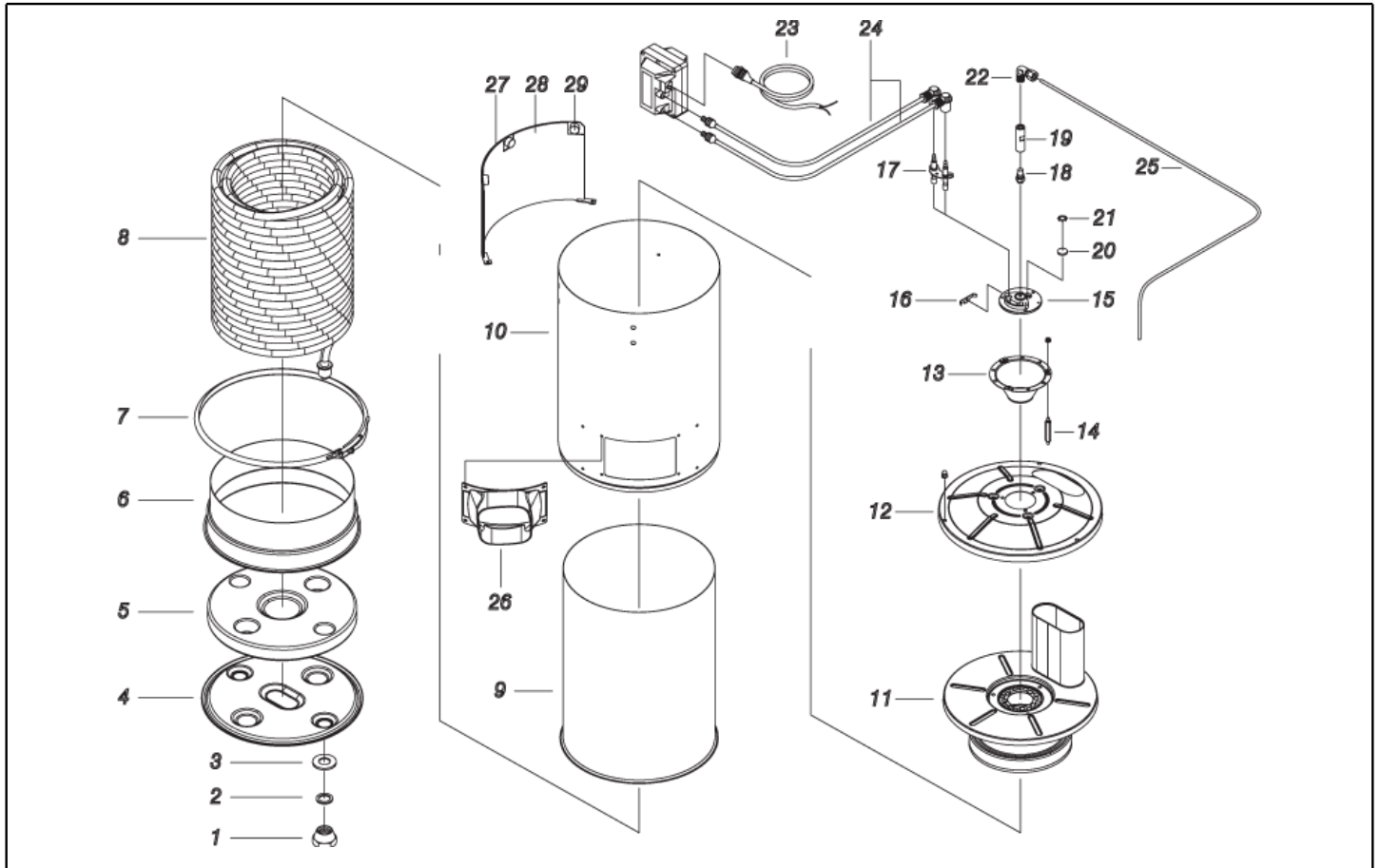
| Ref. K | Part n. | Part n. 2 | Description | Quantity | Validity | | Price |
|--------|-------------|-----------|---------------------------------------|----------|------------|------------|-------|
| | | | | | From | To | |
| 0001 | MOTR40069 | | 3PH MOTOR H35 HP 6L 400-50 4P 180E | 1,00 | | | -- |
| 0002 | RCVR40153 | | ELBOW 3/4"-1/2" M OT. | 1,00 | | | -- |
| 0003 | TBBP40085 | | L.P. HOSE L=1060 3/4F90°-3/4M 0° | 1,00 | | | -- |
| 0004 | FTDT12702 | | FILTER PA | 1,00 | | | -- |
| 0005 | RCVR29600 | | SOCKET PTC 3/4 F | 1,00 | | | -- |
| 0006 | RCVR29602 | | CONNECTOR D. 1/2"-5/8" PTC | 1,00 | | | -- |
| 0007 | TBAP40267 | | HOSE-FITTING 1/4 R1 L=635 3/8F90-3/8M | 1,00 | | | -- |
| 0008 | FSVR00427 | | CLAMP D. 12 CLIC 66-110 | 2,00 | | | -- |
| 0009 | TBBP00051 | | DETERGENT HOSE D. 6-12 | 0,65 | | | -- |
| 0009 | TBBP00051 | | DETERGENT HOSE D. 6-12 | 0,35 | | | -- |
| 0010 | S MFVR40062 | | CONNECTOR PW-H28 AL. INL. | 1,00 | | 31/12/2021 | -- |
| 0010 | S MFVR40099 | | CONNECTOR PW-H28 AL. INL. 2V. | 1,00 | 01/01/2022 | | -- |
| 0011 | LAFN37625 | | PLUG "U" T-STOP PRM INX | 2,00 | | | -- |
| 0012 | LAFN87846 | | PLUG "U" P191 INX | 2,00 | | | -- |
| 0013 | S RCDS40215 | | SMALL PISTON V.SC. P191/200 OT. | 1,00 | | | -- |
| 0014 | S MLML40035 | | SPRING D. 8.8X21 X2.5 INX | 1,00 | | | -- |
| 0015 | S RCDS40214 | | BUSHING V.SC. P191/200 OT. | 1,00 | | 14/07/2017 | -- |
| 0015 | S RCDS40263 | | BUSHING V.SC. P191/200 2V. OT. | 1,00 | 15/07/2017 | | -- |
| 0016 | MPVR40756 | | TANK CAP KSM C/F. | 1,00 | | | -- |
| 0016 | MPVR40756 | | TANK CAP KSM C/F. | 1,00 | | | -- |
| 0017 | S GUGO37529 | | O-RING D. 5.23 X 2.62 NBR 70SH | 1,00 | | | -- |
| 0018 | S GUGO25527 | | O-RING D. 14 X 3 NBR 70SH | 1,00 | | | -- |
| 0019 | S RCDS87757 | | VALVE TAP P191 OT. | 1,00 | | | -- |
| 0020 | MFVR40101 | | CONNECTOR PW-H28 AL. OUT. 2V.+Fr. | 1,00 | | | -- |
| 0022 | RCIN09348 | | MALE COUPLING 3/8MA L=32 | 1,00 | | | -- |
| 0023 | GUGO27030 | | O-RING D. 6 X 3 VIT 70SH | 1,00 | | | -- |
| 0024 | RCDS40211 | | SUMP PW-H28 D.15 OT. | 1,00 | | | -- |
| 0025 | PVVR40183 | | CAP AR RC C/F. 1/8F+OR | 2,00 | | | -- |
| 0026 | RCVR89548 | | HOSE FITTING "L" 1/8M D.7 OT.NK | 1,00 | | | -- |
| 0027 | VTRS40025 | | WASHER D. 6.6X11.75X2 OT. | 1,00 | | | -- |
| 0028 | PPAP40039 | | PUMP RC 14.16 DX N | 1,00 | | | -- |
| 0029 | VVAZ40079 | | VALVE VRF-2 AR-R PPr S/I. | 1,00 | | | -- |
| 0030 | LAFN40732 | | PANEL PW-H28 INX | 1,00 | | | -- |
| 0031 | RCGR60703 | | FLOATER MTM 3/4 PP. S/F. | 1,00 | | | -- |
| 0032 | MPVR88419 | | ADAPTER P245 PA6 BK. | 1,00 | | | -- |
| 0033 | MPVR18582 | | CAP D.22 | 1,00 | | | -- |
| 0033 | MPVR18582 | | CAP D.22 | 1,00 | | 31/01/2019 | -- |
| 0033 | MPVR40994 | | CAP D.31 | 1,00 | 01/02/2019 | | -- |
| 0034 | MPVR40706 | | TANK PW-H28 PEHD NT. | 1,00 | | | -- |
| 0035 | MPVR25533 | | GREY KNOB PRT-AC | 1,00 | | | -- |
| 0036 | RCVR40151 | | HOSE FITTING "L" 1/8M D.5 OT.NIK | 1,00 | | | -- |
| 0037 | MPVR40707 | | TANK PW-H28 PEHD NT. | 1,00 | | 31/01/2019 | -- |
| 0037 | MPVR40990 | | TANK PW-H28 PEHD NT. 2V. | 1,00 | 01/02/2019 | | -- |
| 0038 | RCGR08069 | | TAP BODY DET. PRT | 1,00 | | | -- |



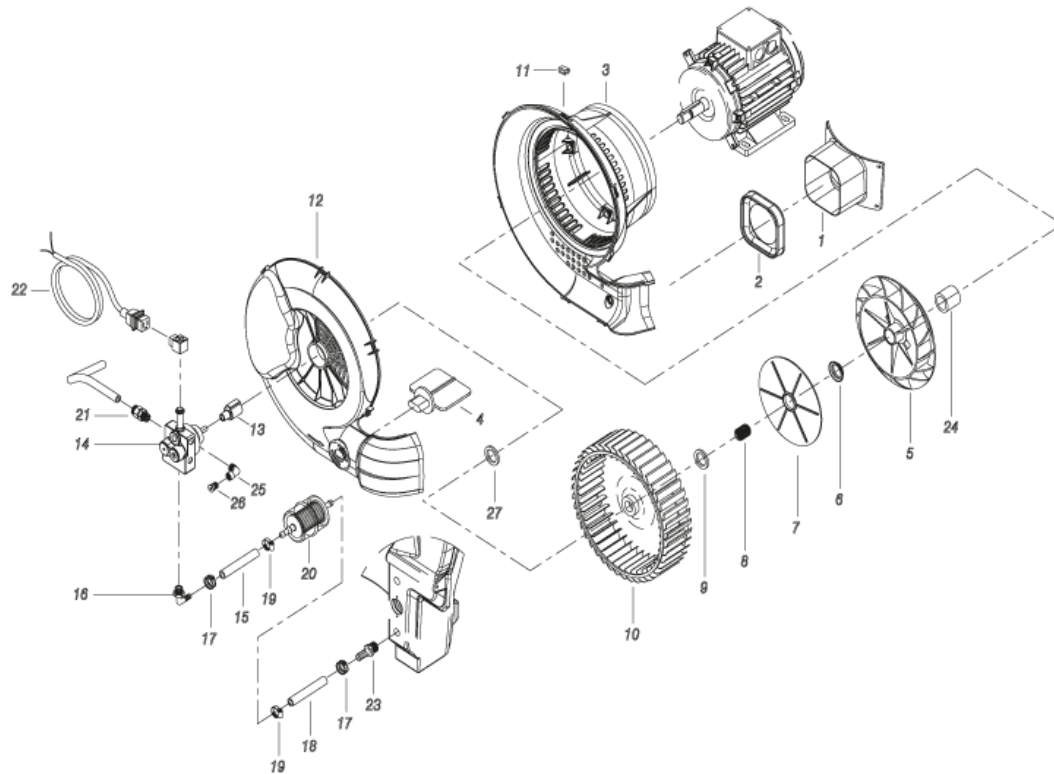
| Ref. K | Part n. | Part n. 2 | Description | Quantity | Validity | | Price |
|--------|-----------|-----------|-------------------------------------|----------|------------|----|-------|
| | | | | | From | To | |
| 0039 | GUGO08071 | | O-RING D. 4.48 X 1.78 NBR 70SH | 1,00 | | | -- |
| 0040 | GUGO12183 | | O-RING D. 23.4 X 3.53 VIT 70SH | 1,00 | | | -- |
| 0041 | RCGR08070 | | ADJUSTER PRT | 1,00 | | | -- |
| 0042 | VTRS00542 | | WASHER D.14X20 | 1,00 | | | -- |
| 0043 | MLML08068 | | SPRING D.1,5 L.23 | 1,00 | | | -- |
| 0044 | MPVR89078 | | PLATE P190 PA6 BL. | 2,00 | | | -- |
| 0045 | MPVR40516 | | TANK COVER P190-35 PA6 BL. | 1,00 | | | -- |
| 0046 | MEPD45940 | | DESCALING PUMP NME 1 24V 50/60HZ | 1,00 | | | -- |
| 0047 | RCVR49974 | | RING NUT 3/4" X 4 NIK | 1,00 | | | -- |
| 0048 | TBBP40105 | | L.P. HOSE D.12-17 CRISTALL | 0,08 | 15/06/2016 | | -- |
| 0049 | RCDS46072 | | VALVE BODY N/R 1/4F-1/4 P176 OT | 1,00 | | | -- |
| 0050 | MLML21505 | | SPRING D. 8 X5 X0.3 | 1,00 | | | -- |
| 0051 | SFVR04274 | | BALL D. 7/32 | 1,00 | | | -- |
| 0052 | GUGO01055 | | O-RING D. 5.28 X 1.78 VIT 70SH | 1,00 | | | -- |
| 0053 | GUGO01036 | | O-RING D. 10.82 X 1.78 NBR 70SH | 1,00 | | | -- |
| 0054 | RCDS10546 | | VALVE SEAT 1/4M + PG. D.3-7.5 OTT | 1,00 | | | -- |
| 0055 | RCVR40154 | | HOSE FITTING PPL D.19 -G.1/2M | 1,00 | | | -- |
| 0056 | GUGO40060 | | GASKET D. 21.0-33 X 2.5 EPDM | 2,00 | | | -- |
| 0057 | MPVR40705 | | WATER TANK PW-H28 PEHD NT. | 1,00 | | | -- |
| 0058 | MPVR40743 | | WATER NOZZLE PW-H28 D. 8 PVC | 1,00 | | | -- |
| 0059 | GUGO01060 | | O-RING D. 9.92 X 2.62 NBR 70SH | 1,00 | | | -- |
| 0060 | RCVR02606 | | REDUCTION 1/2-1/4 M/F | 1,00 | | | -- |
| 0061 | FSVR00431 | | CLAMP D. 16-25 | 1,00 | | | -- |
| 0062 | TBBP40086 | | L.P. HOSE L=290 3/4F 90° -LIB.19X26 | 1,00 | | | -- |
| 0065 | TBBP00058 | | L.P. HOSE D. 4- 7 | 0,90 | | | -- |
| 0069 | PVVR40273 | | ADAPTER VRF-2 RG. | 1,00 | | | -- |
| 0070 | MPVR41241 | | BLACK KNOB VRF-2 IPC | 1,00 | | | -- |
| 0071 | RCDS40172 | | SCREW 3/8 VRF-2 OT 4F. | 1,00 | | | -- |
| 0072 | VTRS00548 | | WASHER D.17,5X23X1,5 (3/8)RM | 2,00 | | | -- |
| 0073 | GUGO03510 | | O-RING D. 12.37 X 2.62 NBR 70SH | 2,00 | | | -- |
| 0074 | RCDS40171 | | SCREW G 1/2 VRF-2 OT. 2F. | 1,00 | | | -- |
| 0075 | VTRS00549 | | WASHER D.21,5X27X1,5 (1/2) RM | 1,00 | | | -- |
| 0076 | GUGO01048 | | O-RING D. 15.88 X 2.62 NBR 70SH | 2,00 | | | -- |
| 0078 | RCDS40176 | | ELBOW 1/8" M/F CN. L=24 OT. | 1,00 | | | -- |
| 0079 | MNMN18650 | | PRESSURE GAUGE 0-300 D.40 | 1,00 | | | -- |
| 0080 | RCDS40213 | | CONNECTOR G3/8 F MV200 ZC | 1,00 | | | -- |
| 0081 | VTRS00548 | | WASHER D.17,5X23X1,5 (3/8)RM | 1,00 | | | -- |
| 0082 | GUGO28927 | | O-RING D. 9.13 X 2.62 NBR 70SH | 1,00 | | | -- |
| 0083 | GUGO21337 | | O-RING D. 25.07 X 2.62 VIT 70SH | 1,00 | | | -- |
| 0084 | RCDS25578 | | BUSHING IP WW141 OT. | 1,00 | | | -- |
| 0085 | GUGO21339 | | O-RING D. 29.82 X 2.62 VIT 70SH | 1,00 | | | -- |
| 0090 | GUGO40115 | | GASKET 164X 81X3 EPDM-60 | 1,00 | 01/12/2020 | | -- |



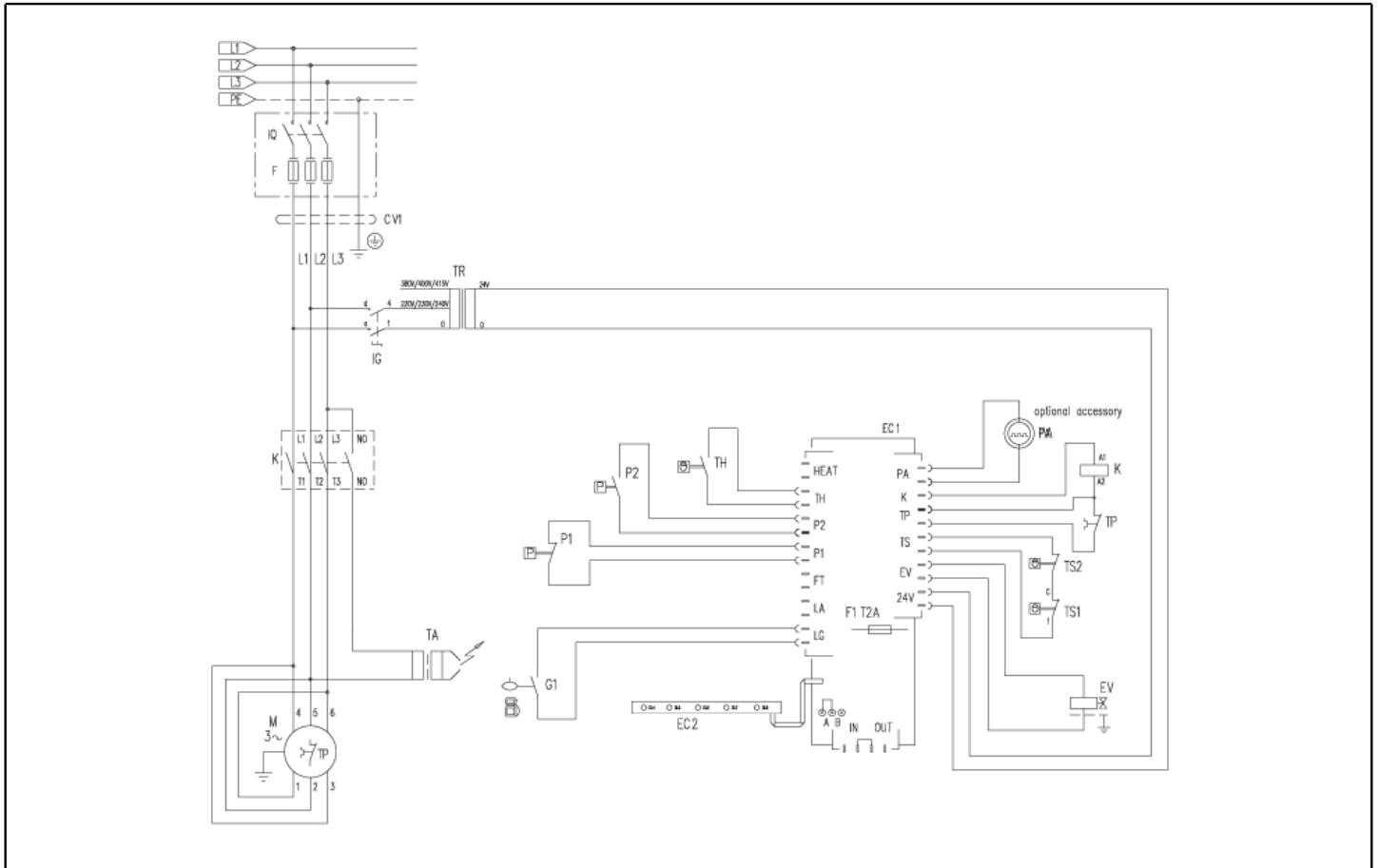
| Ref. Part n. | Part n. 2 | Description | Reference | Price |
|--------------|-----------|---------------------------|---|-------|
| KTRI40482 | | KIT P 14- 65 PW-H28 200b. | 0010 0010 0013 0014 0015 0017 0018 0019 | -- |



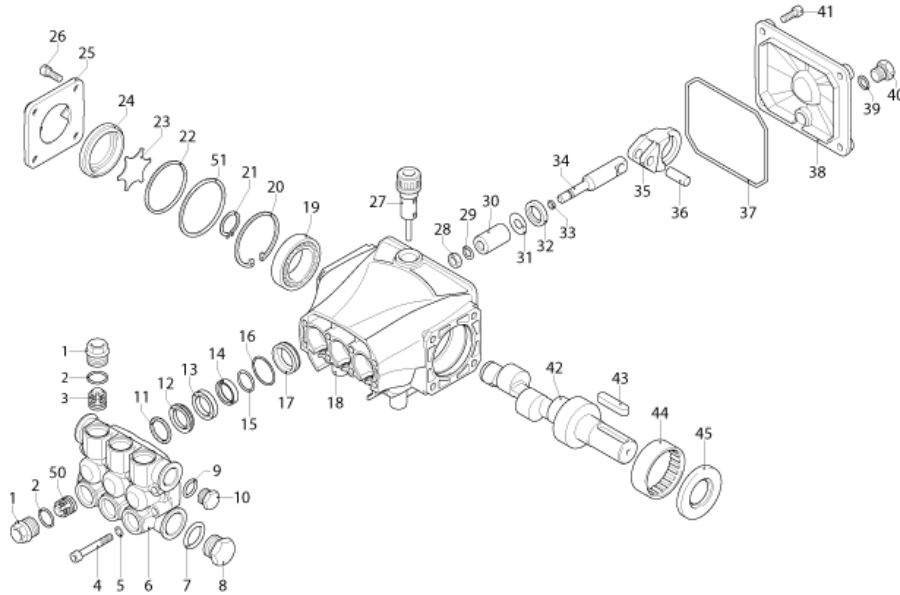
| Ref. K | Part n. | Part n. 2 | Description | Quantity | Validity | | Price |
|--------|-----------|-----------|---------------------------------------|----------|----------|----|-------|
| | | | | | From | To | |
| 0001 | RCDS40208 | | RING NUT M 27 X 1,5 ZC | 2,00 | | | -- |
| 0002 | GUGO40059 | | O-RING D. 16 X 4 VIT 70SH | 2,00 | | | -- |
| 0003 | GUVR21021 | | ANTI-EXTR.RING D. 21 X17 TEF. | 2,00 | | | -- |
| 0004 | LAFN44149 | | BOILER BOTTOM P176 | 1,00 | | | -- |
| 0005 | ITTE44175 | | BOTTOM P176 C.TE | 1,00 | | | -- |
| 0006 | LAFN40733 | | BAND P176-H28 INX | 1,00 | | | -- |
| 0007 | LAFN40037 | | RING D.342 P176 ZN 2V.CPL. | 1,00 | | | -- |
| 0008 | LAGR40032 | | DOUBLE COIL M27X1.5 H28 24MT. SP.2.35 | 1,00 | | | -- |
| 0009 | LASL40101 | | INT. CYLINDER PM INX | 1,00 | | | -- |
| 0010 | LAFN40581 | | EXT. CYLINDER PM-H35 INX | 1,00 | | | -- |
| 0011 | LAFN40269 | | BOILER COVER SI PM INX | 1,00 | | | -- |
| 0012 | LAFN40270 | | BOILER COVER SE PM INX | 1,00 | | | -- |
| 0013 | LAFN44244 | | BAFFLE P176 30M INX | 1,00 | | | -- |
| 0014 | LAFN40271 | | PIN CH.10 X 67.7 M5M/M5M PM | 3,00 | | | -- |
| 0015 | MFVR18226 | | ELECTR.HOLDER FUT 3°V | 1,00 | | | -- |
| 0016 | LAFN07641 | | PLATE INX | 1,00 | | | -- |
| 0017 | MECA12525 | | ELECTRODE FUT | 1,00 | | | -- |
| 0018 | UGBR31754 | | BURNER NOZZLE 1.10 60 S | 1,00 | | | -- |
| 0019 | RCDS07642 | | NOZZLE HOLDER FUT | 1,00 | | | -- |
| 0020 | MPVR18228 | | OIL WARN-LIGHT D.17 X3 | 1,00 | | | -- |
| 0021 | VTAE22633 | | SEEGER 0.4 X18,30X10,5 | 1,00 | | | -- |
| 0022 | RCVR40228 | | CONNECTOR L 1/8" M D. 4 +OR NBR N | 1,00 | | | -- |
| 0023 | MECB34463 | | CABLE BT L=800 SP. FD | 1,00 | | | -- |
| 0024 | MECV35334 | | CABLE A.T. 9,8-23KOHM/M L= 400P | 2,00 | | | -- |
| 0025 | TBBP00123 | | TUBE RILSAN D. 2- 4 NT. | 0,55 | | | -- |
| 0026 | MPVR88426 | | CONVEYOR P176 PA6 BK. | 1,00 | | | -- |
| 0027 | LAFN40996 | | PANEL PW-H28/JP ZC | 1,00 | | | -- |
| 0028 | ITTE40012 | | PROTECTION PW-H28 VT1100 | 1,00 | | | -- |
| 0029 | MPVR40950 | | SPACER D. 2.5-20 L=12 PTFE | 3,00 | | | -- |



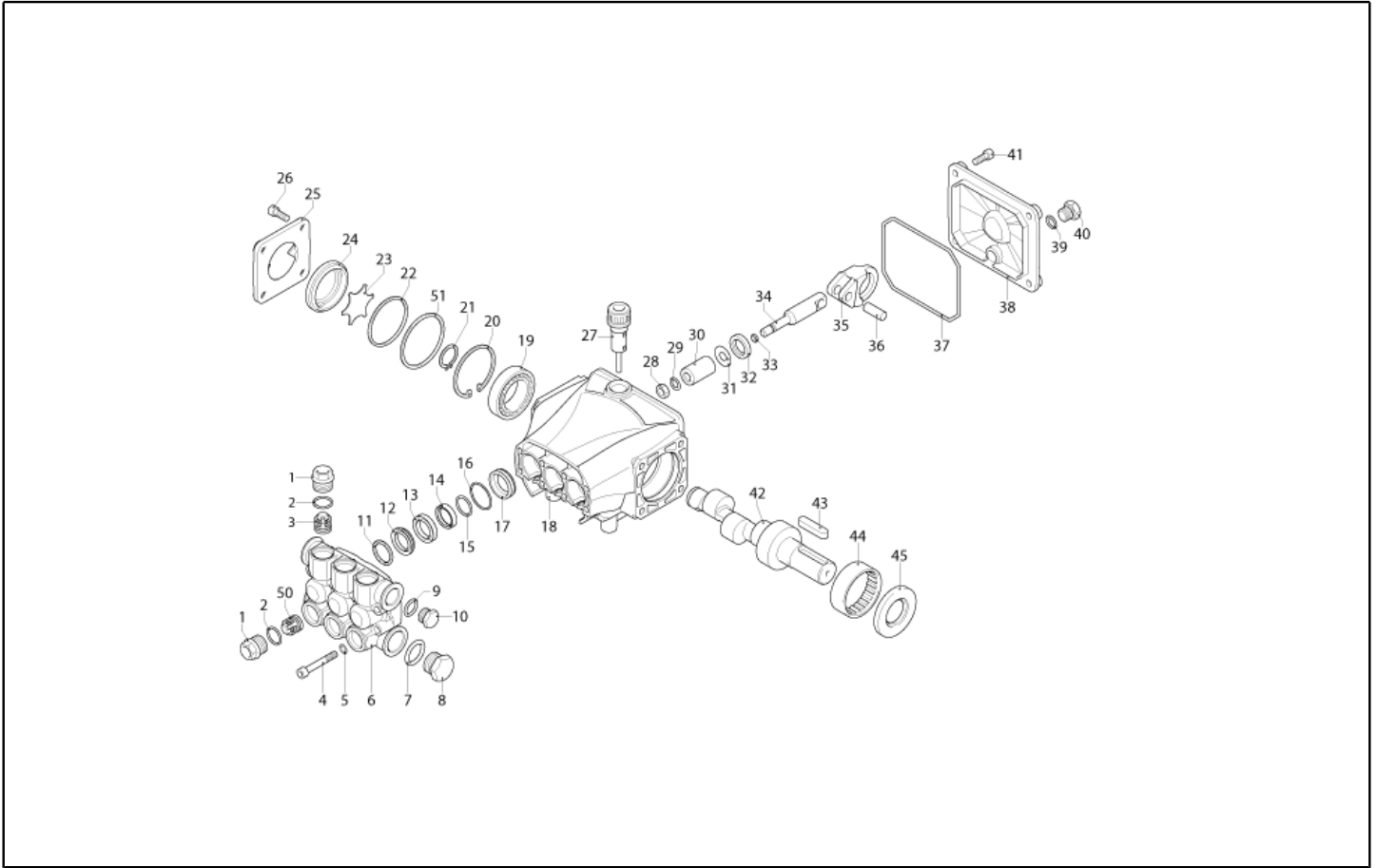
| Ref. K | Part n. | Part n. 2 | Description | Quantity | Validity | | Price |
|--------|-----------|-----------|-------------------------------------|----------|----------|----|-------|
| | | | | | From | To | |
| 0002 | GUGO88425 | | GASKET P245 EPDM | 1,00 | | | -- |
| 0003 | MPVR45488 | | SCROLL BODY P176 PP | 1,00 | | | -- |
| 0004 | MPVR45445 | | BUTTERFLY VALVE P176 PP | 1,00 | | | -- |
| 0005 | VEVR45443 | | MOTOR FAN P176 H 100 | 1,00 | | | -- |
| 0006 | LAFN45783 | | BUSHING D. 30 P176 | 1,00 | | | -- |
| 0007 | MPVR45444 | | SEPARATOR P176 ABS | 1,00 | | | -- |
| 0008 | VTVR45002 | | BUSHING D. 17-19X19 CPS. | 1,00 | | | -- |
| 0009 | VTAE33647 | | CIRCLIP D. 19 UNI 7435 | 1,00 | | | -- |
| 0010 | VEVR88781 | | IMPELLER P176 D.240 43P. 2V. PA6 | 1,00 | | | -- |
| 0011 | VTVR20127 | | CLIP KSM | 8,00 | | | -- |
| 0012 | MPVR45489 | | VENTILATOR COV. P176 ABS | 1,00 | | | -- |
| 0013 | FGGT36513 | | JOINT HP 0.25 AACO | 1,00 | | | -- |
| 0014 | PPGS49454 | | FUEL PUMP DLT ALLUM. A2R1 | 1,00 | | | -- |
| 0015 | TBCO06945 | | L.P. HOSE D. 6-12 10BAR C.PRESS | 0,11 | | | -- |
| 0016 | RCVR72873 | | HOSE FITTING "L" 1/4M - D.7 OT.NK | 1,00 | | | -- |
| 0017 | FsvR00427 | | CLAMP D. 12 CLIC 66-110 | 2,00 | | | -- |
| 0018 | TBCO06945 | | L.P. HOSE D. 6-12 10BAR C.PRESS | 0,60 | | | -- |
| 0019 | FsvR11197 | | CLAMP D.12.9-13.6 | 2,00 | | | -- |
| 0020 | FTCO10912 | | FILTER FB 13/T NYL. | 1,00 | | | -- |
| 0021 | RCVR40229 | | CONNECTOR DTT 1/8" M D. 4 +OR NBR N | 1,00 | | | -- |
| 0022 | MECB41542 | | CABLE DLT L= 700 | 1,00 | | | -- |
| 0023 | RCVR40113 | | HOSE FITTING 1/8 M D. 5- 7 NIK | 1,00 | | | -- |
| 0027 | VTRS49164 | | WASHER D.19 X26 X1 FE | 1,00 | | | -- |



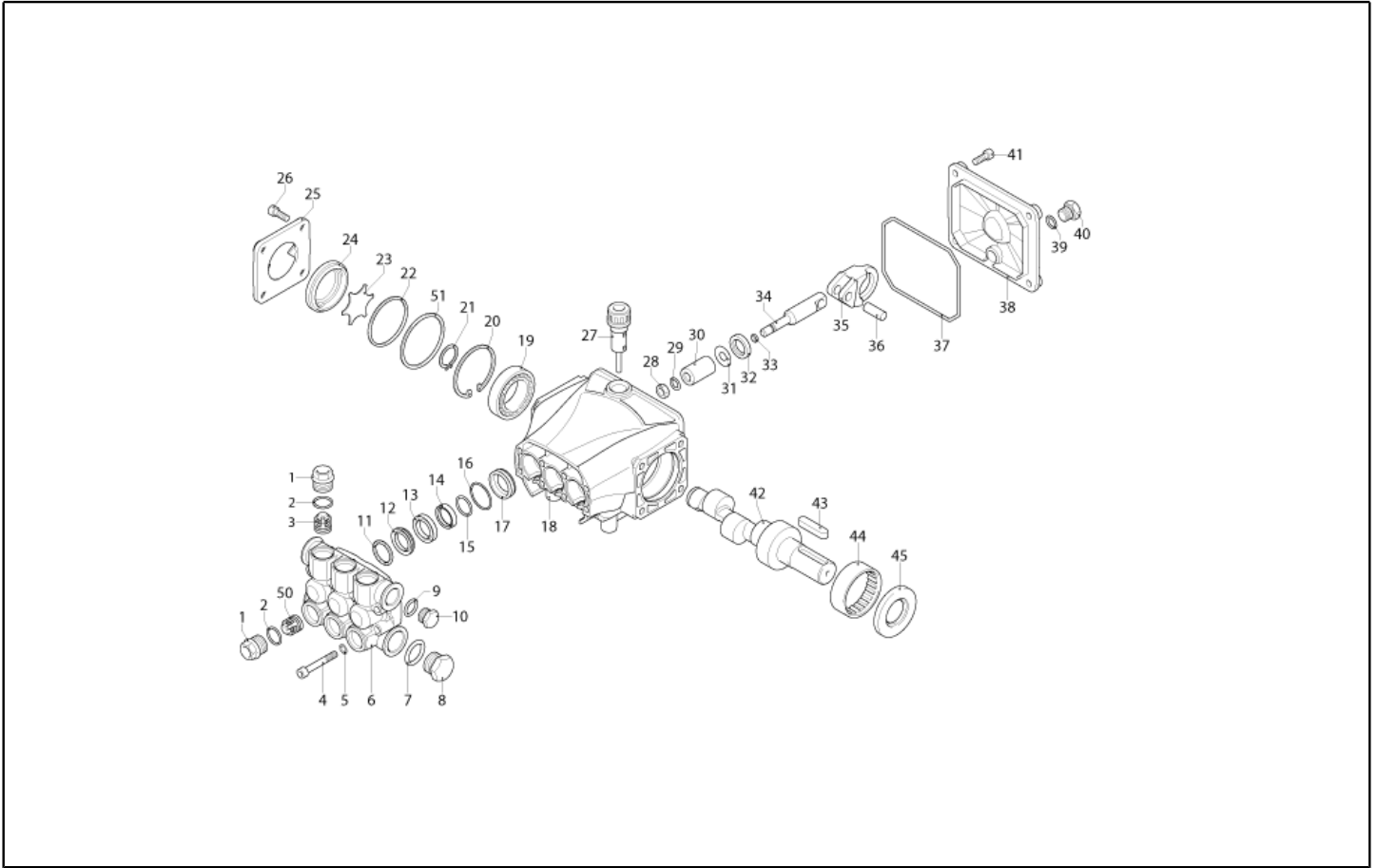
| Ref. K | Part n. | Part n. 2 | Description | Quantity | Validity | | Price |
|--------|-----------|-----------|---------------------------------------|----------|----------|----|-------|
| | | | | | From | To | |
| K | METT40014 | | CONTACTOR SIE 3RT 2018-1AB01 24V | 1,00 | | | -- |
| EV | MEBE48504 | | COIL DLT 24-50 NF84 | 1,00 | | | -- |
| G1 | MECI40006 | | SENSOR LEVEL S1 PML.XD.FPJ FST. | 1,00 | | | -- |
| IG | MECI40033 | | SWITCH GTK BP. 0-1 16(8)A | 1,00 | | | -- |
| TA | METR88630 | | TRANSFORMER 23/240V-5/60HZ 2X26KV TR. | 1,00 | | | -- |
| TH | METK40028 | | THERMOSTAT 40-110°C NT-133 IPC/2 | 1,00 | | | -- |
| TR | METR40018 | | TRANSFORMER 25VA 230-400/24 5/60HZ PM | 1,00 | | | -- |
| CV1 | MECB89888 | | CABLE H07 RNF 4X2.5 L=6.500 | 1,00 | | | -- |
| EC1 | MECE40030 | | CABLE CLAMPING SHUNT 2.54 | 1,00 | | | -- |
| EC1 | MECE40112 | | PCB PW T-SI/MP V.PL+CO-Lv H31 | 1,00 | | | -- |
| EC2 | MECE40047 | | PCB LED PW 4/5 GR. FLT.H28 | 1,00 | | | -- |
| TS1 | METK40025 | | THERMOSTAT 65°C SP-140 PT RIPR. | 1,00 | | | -- |
| TS2 | METK40021 | | THERMOSTAT 110°C TK24-T02 16A 250V | 1,00 | | | -- |
| P1,2 | MEPF40067 | | PRESSURE SWITCH PS2 G1/8M 40BAR | 2,00 | | | -- |



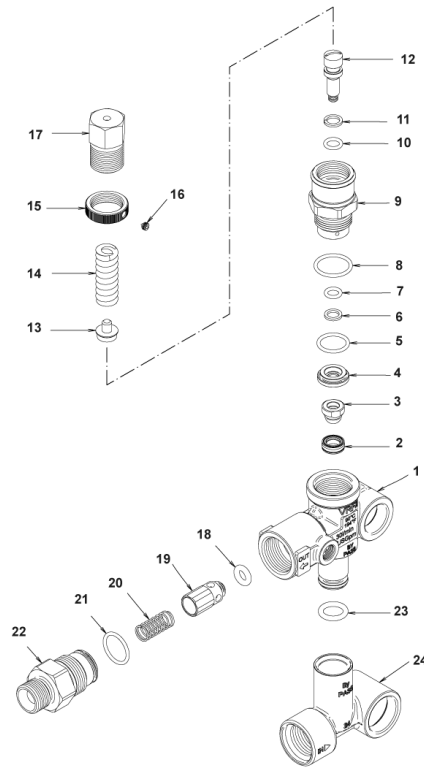
| Ref. K | Part n. | Part n. 2 | Description | Quantity | Validity | | Price |
|--------|-------------|-----------|----------------------------------|----------|------------|------------|-------|
| | | | | | From | To | |
| 0001 | PVVR40120 | | CAP AR RC | 6,00 | | | -- |
| 0002 | GUGO03505 | | O-RING D. 15.6 X 1.78 NBR 70SH | 6,00 | | | -- |
| 0003 | S VVAM40002 | | VALVE UNIT RC | 6,00 | | 31/07/2012 | -- |
| 0003 | S VVAM40002 | | VALVE UNIT RC | 3,00 | 01/08/2012 | | -- |
| 0004 | VTVT06236 | | SCREW TCCE UNI 5931 6X40 ZB | 8,00 | | | -- |
| 0005 | VTRS01077 | | WASHER D. 6.4X10X0,7 | 8,00 | | | -- |
| 0006 | MFVR40019 | | HEAD AR RC OT. | 1,00 | | | -- |
| 0007 | GUGO19245 | | O-RING D. 17.5 X 2 NBR 70SH | 1,00 | | | -- |
| 0008 | PVVR40121 | | CAP 1/2 M RC | 1,00 | | | -- |
| 0009 | GUGO09720 | | O-RING D. 14 X 1.78 NBR 70SH | 1,00 | | | -- |
| 0010 | PVVR40099 | | CAP 3/8 M HRM | 1,00 | | | -- |
| 0011 | S PVVR40122 | | HEAD RING D. 18 RC | 3,00 | | | -- |
| 0012 | S GUVR40035 | | PACKING D. 18 RC H.P. | 3,00 | | | -- |
| 0013 | PVVR40123 | | INTERMED. RING D. 18 RC | 3,00 | | | -- |
| 0014 | S GUVR40036 | | PACKING D. 18 RC L.P. | 3,00 | | | -- |
| 0015 | S GUVR40037 | | ANTI-EXTR.RING D.21 | 3,00 | | | -- |
| 0016 | S GUGO19290 | | O-RING D. 23.52 X 1.78 NBR 70SH | 3,00 | | 31/03/2014 | -- |
| 0016 | S GUGO08182 | | O-RING D. 21.91 X 1.78 NBR 70SH | 3,00 | 01/04/2014 | | -- |
| 0017 | PVVR40124 | | PACKING RETAIN. D. 18 RC | 3,00 | | | -- |
| 0018 | MFVR40020 | | PUMP CRANKCASE AR RC | 1,00 | | 31/03/2014 | -- |
| 0018 | MFVR40027 | | PUMP CRANKCASE AR RCS | 1,00 | 01/04/2014 | | -- |
| 0019 | CUVR28336 | | BALL BEARING 6304 | 1,00 | | | -- |
| 0020 | VTAE09661 | | CIRCLIP D. 52 UNI 7437 | 1,00 | | | -- |
| 0021 | VTAE06193 | | CIRCLIP D. 20 UNI 7435 | 1,00 | | | -- |
| 0022 | GUGO02561 | | O-RING D. 47.3 X 2.62 NBR 70SH | 1,00 | | | -- |
| 0023 | PVVR40125 | | DISC RC | 1,00 | | 31/03/2016 | -- |
| 0023 | PVVR40472 | | OIL INDICATOR RC CPL. | 1,00 | 01/04/2016 | | -- |
| 0024 | PVVR40126 | | OIL INDICATOR RC | 1,00 | | 31/03/2016 | -- |
| 0025 | MFVR40021 | | CRANKCASE COVER AR RC LT. | 1,00 | | | -- |
| 0026 | VTVT01531 | | SCREW TE 6X 16 UNI 5739 | 4,00 | | | -- |
| 0027 | PVVR19231 | | OIL CAP XTS | 1,00 | | 31/03/2014 | -- |
| 0027 | PVVR40436 | | OIL CAP RC | 1,00 | 01/04/2014 | | -- |
| 0028 | VTDD00483 | | NUT M 8 ZIN UNI 5588 | 3,00 | | | -- |
| 0029 | VTRS19394 | | WASHER D. 8X13X0,5 | 3,00 | | | -- |
| 0030 | S PIVR40005 | | PISTON D.18X30 RC | 3,00 | | | -- |
| 0031 | PVVR19233 | | DISC XTS | 3,00 | | | -- |
| 0032 | S GUGO09690 | | OIL SEAL 15X 24X 5 NBR70 | 3,00 | | | -- |
| 0033 | GUGO08071 | | O-RING D. 4.48 X 1.78 NBR 70SH | 3,00 | | | -- |
| 0034 | PVVR40127 | | PISTON GUIDE RC | 3,00 | | | -- |
| 0035 | BLVR40001 | | CONNECTING ROD RC | 3,00 | | | -- |
| 0036 | PVVR40128 | | GUDGEON D. 9X23 RC | 3,00 | | | -- |
| 0037 | GUGO18695 | | O-RING D. 101.27 X 2.62 NBR 70SH | 1,00 | | | -- |
| 0038 | MFVR40022 | | CRANKCASE COVER AR RC | 1,00 | | | -- |
| 0039 | GUGO01036 | | O-RING D. 10.82 X 1.78 NBR 70SH | 1,00 | | | -- |



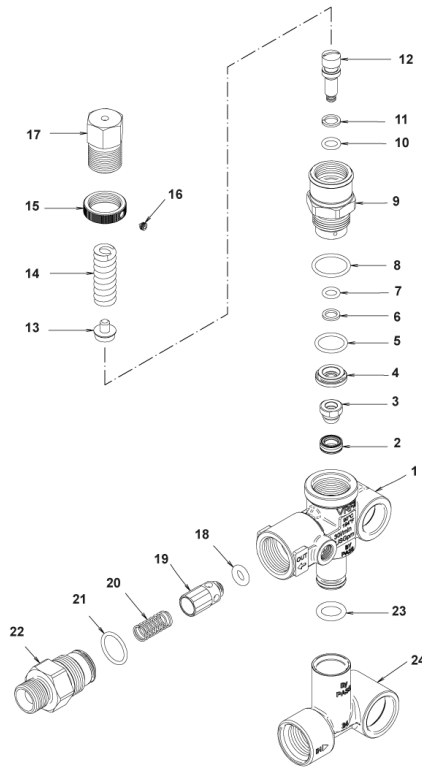
| Ref. K | Part n. | Part n. 2 | Description | Quantity | Validity | | Price |
|--------|-------------|-----------|--------------------------|----------|------------|----|-------|
| | | | | | From | To | |
| 0040 | PVVR40129 | | CAP 1/4 M RC | 1,00 | | | -- |
| 0041 | VTVT09913 | | SCREW TCEI 6X16 UNI5931 | 4,00 | | | -- |
| 0042 | ALMO40006 | | SHAFT AR RC 14LT VRS. N | 1,00 | | | -- |
| 0043 | VTVR41531 | | KEY 8X 7X35 UNI 6604A | 1,00 | | | -- |
| 0044 | CUVR23636 | | ROLLER BEARING HK 4516 | 1,00 | | | -- |
| 0045 | S GUGO00999 | | OIL SEAL 25X 52X 7 NBR70 | 1,00 | | | -- |
| 0050 | S VVAM40007 | | VALVE UNIT RC ASP. BK | 3,00 | 01/08/2012 | | -- |
| 0051 | PVVR40437 | | RING D. 51.8 X0.5 | 1,00 | 01/04/2014 | | -- |



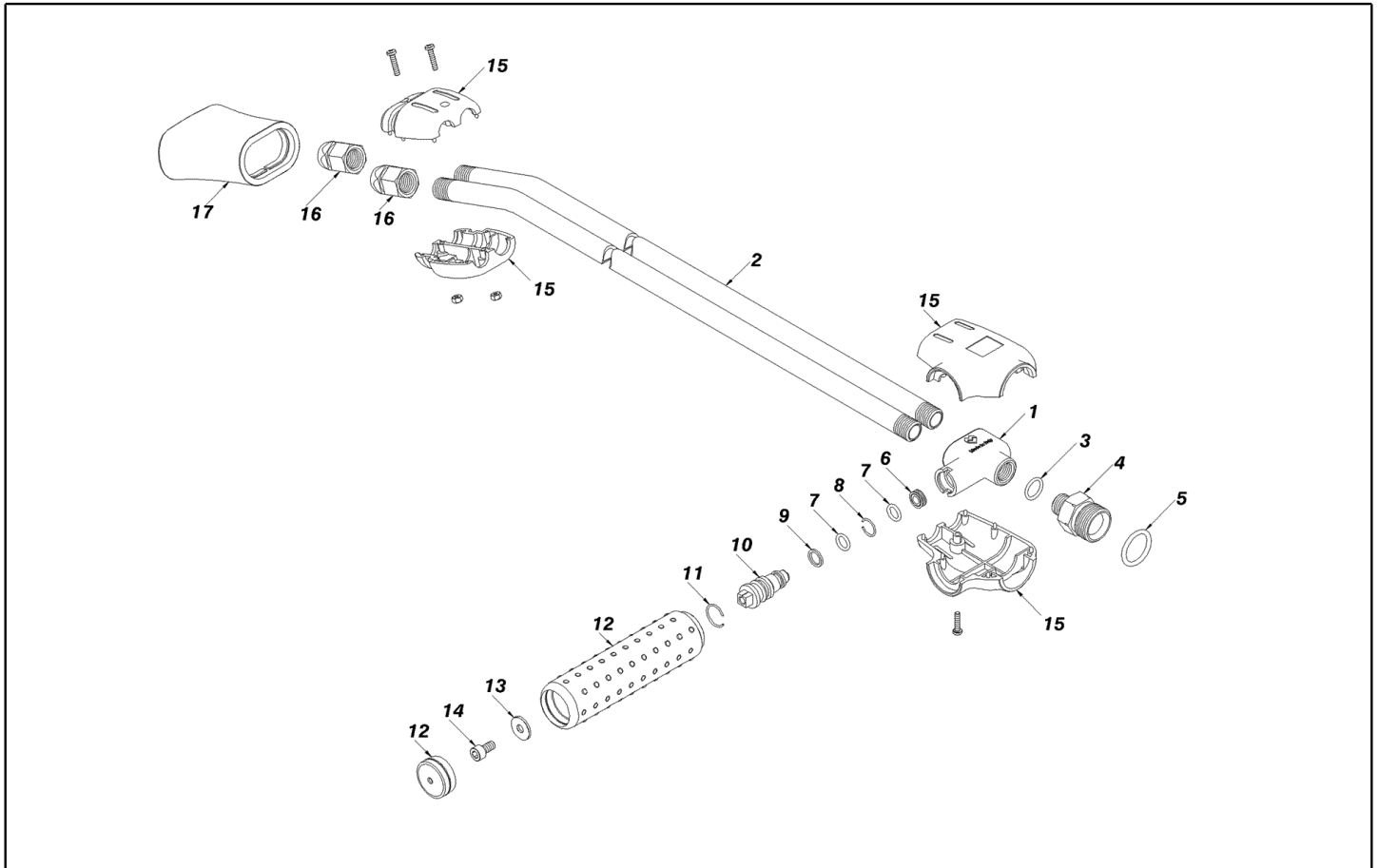
| Ref. Part n. | Part n. 2 | Description | Reference | Price |
|--------------|-----------|-------------------------------|---------------------|-------|
| KTRI40092 | | KIT P 15-2186 RC | 0003 | -- |
| KTRI40093 | | KIT P 15-42917 RC | 0030 | -- |
| KTRI40094 | | KIT P 15-42919 D.18 RC | 0012 0014 0015 0016 | -- |
| KTRI40095 | | KIT P 15-42903 D.18 RC | 0011 | -- |
| KTRI40096 | | KIT P 15-42918 RC | 0032 0045 | -- |
| KTRI40207 | | KIT P 15-42914 RC 3+3 BL./WH. | 0003 0050 | -- |



| Ref. K | Part n. | Part n. 2 | Description | Quantity | Validity | | Price |
|--------|-----------|-----------|-----------------------------------|----------|----------|----|-------|
| | | | | | From | To | |
| 0001 | PVVR40375 | | VALVE BODY VRF2 +G1/8 F | 1,00 | | | -- |
| 0002 | S | PVVR40363 | VALVE SEAT MV124 +OR | 1,00 | | | -- |
| 0003 | S | PVVR40364 | COUPLING MV124 | 1,00 | | | -- |
| 0004 | S | PVVR40365 | SPACER MV124 | 1,00 | | | -- |
| 0005 | S | GUGO12322 | O-RING D. 14 X 1.78 NBR 90SH | 1,00 | | | -- |
| 0006 | S | GUVR40072 | ANTI-EXTR.RING D. 6.5X 9.4 | 1,00 | | | -- |
| 0007 | S | GUGO83861 | O-RING D. 6.07 X 1.78 NBR 90SH | 1,00 | | | -- |
| 0008 | S | GUGO24913 | O-RING D. 17.17 X 1.78 NBR 90SH | 1,00 | | | -- |
| 0009 | S | PVVR40366 | CONNECTOR VRF2 D.10 | 1,00 | | | -- |
| 0010 | S | GUGO03500 | O-RING D. 6.75 X 1.78 NBR 70SH | 1,00 | | | -- |
| 0011 | S | GUVR40073 | ANTI-EXTR.RING D. 7.1X10 X1.2 TBT | 1,00 | | | -- |
| 0012 | S | PVVR40367 | SMALL PISTON D.10 VRF2 | 1,00 | | | -- |
| 0013 | | PVVR40368 | SPRING PLATE MV124 25B | 1,00 | | | -- |
| 0014 | | MLML40027 | SPRING D. 3.0/6.0 X38.85 | 1,00 | | | -- |
| 0015 | | PVVR40369 | RING NUT MV167.09 | 1,00 | | | -- |
| 0016 | | VTVT89696 | SCREW EI-ST 4X 4 UNI5927 ZC | 1,00 | | | -- |
| 0017 | | PVVR40370 | CAP VRF2 M18X1 | 1,00 | | | -- |
| 0018 | S | GUGO46053 | O-RING D. 6 X 3 NBR 90SH | 1,00 | | | -- |
| 0019 | S | PVVR40349 | COUPLING VRT3 | 1,00 | | | -- |
| 0020 | S | MLML40026 | SPRING VRT3 | 1,00 | | | -- |
| 0021 | S | GUGO12321 | O-RING D. 15.6 X 1.78 NBR 90SH | 1,00 | | | -- |
| 0022 | | PVVR40525 | CONNECTOR VRT3 G 3/8M | 1,00 | | | -- |
| 0023 | | GUGO11225 | O-RING D. 10.78 X 2.62 NBR 70SH | 1,00 | | | -- |
| 0024 | | PVVR40373 | CONNECTOR VRF2.24 | 1,00 | | | -- |



| Ref. Part n. | Part n. 2 | Description | Reference | Price |
|--------------|-----------|------------------------------|---|-------|
| KTRI40236 | | KIT P 14-103 VRF2 | 0002 0003 0004 0005 0006 0007 0008 0009 0010 0011 0012 0018 0019 0020 0021 | -- |
| KTRI40237 | | KIT P 14-104 SET GUARNIZIONI | 0002 0003 0005 0006 0007 0008 0010 0011 0018 0021 | -- |



| Ref. K | Part n. | Part n. 2 | Description | Quantity | Validity | | Price |
|--------|-----------|-----------|---------------------------------|----------|------------|------------|-------|
| | | | | | From | To | |
| 0001 | RCGR40000 | | TAP BODY L.DOP. 1/4" MV INX | 1,00 | | | -- |
| 0002 | LCPR40000 | | TUBE 1/4 L=700 CROM. | 2,00 | | 30/11/2009 | -- |
| 0002 | LCPR40107 | | TUBE 1/4 L=700 INX. | 2,00 | 01/12/2009 | | -- |
| 0003 | GUGO19194 | | O-RING D. 11.11 X 1.78 NBR 70SH | 1,00 | | 30/09/2010 | -- |
| 0003 | VTRS04931 | | WASHER COPPER D.13X19X1.5 | 1,00 | 01/10/2010 | | -- |
| 0004 | RCIN46781 | | MALE COUPLING MV 1/4 -M 22 M | 1,00 | | | -- |
| 0005 | GUGO01056 | | O-RING D. 18.72 X 2.62 NBR 70SH | 1,00 | | | -- |
| 0006 | PVVR40019 | | BUSHING MV LD | 1,00 | | | -- |
| 0007 | GUGO06988 | | O-RING D. 7.66 X 1.78 NBR 70SH | 2,00 | | | -- |
| 0008 | PVVR40020 | | CIRCLIP LD MV D. 8 | 1,00 | | | -- |
| 0009 | GUGO40002 | | ANTI-EXTR.RING D. 8 NBR | 1,00 | | | -- |
| 0010 | PVVR40021 | | REGULAT. SCREW LD MV INX | 1,00 | | | -- |
| 0011 | PVVR46783 | | CIRCLIP LD MV | 1,00 | | | -- |
| 0012 | PVVR46784 | | KNOB LD MV +CAP | 1,00 | | | -- |
| 0013 | VTRS15958 | | WASHER UNI 6592 5X15X1,5 ZB | 1,00 | | | -- |
| 0014 | VTVT17639 | | SCREW TCEI M 5X10 UNI 5931 | 1,00 | | | -- |
| 0015 | MPVR46786 | | PROTECTION LD/TB MV | 1,00 | | | -- |
| 0016 | RCVR46787 | | NOZZLE HOLDER 1/4-1/4 F MV | 12,00 | | | -- |
| 0017 | PVVR46788 | | PROTECTION LD MV | 1,00 | | | -- |