



**IPC**

**Spare parts list**

Ref: ASDO15514

Model: VACUUM CLEANER GS1/33H TC TOPPER 515/33

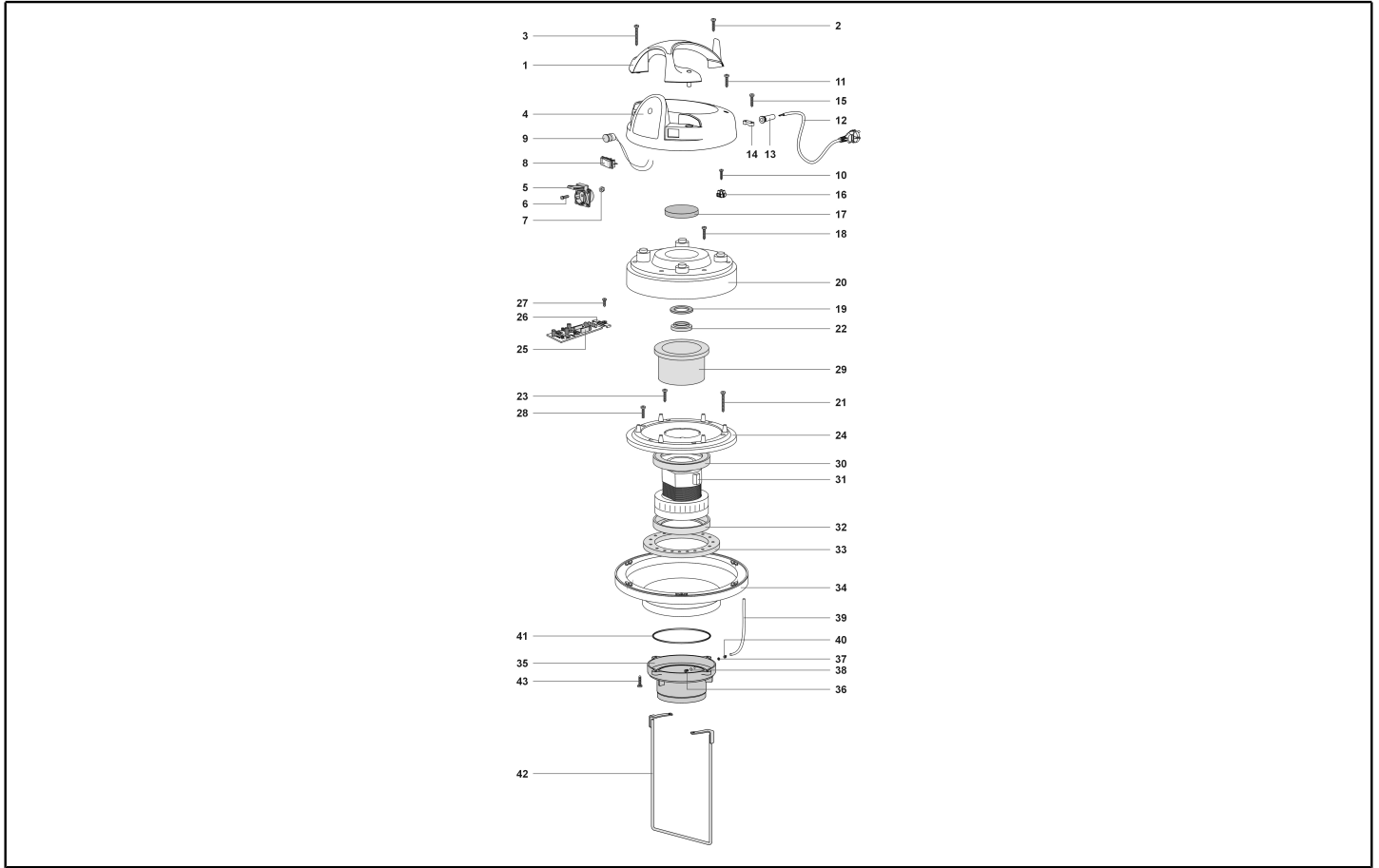


IPC Integrated Professional Cleaning

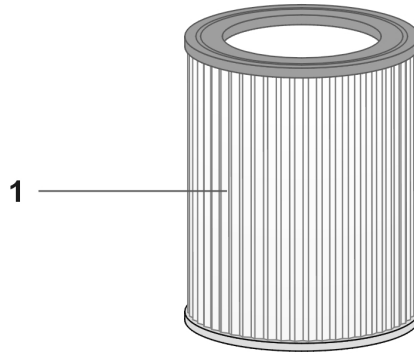
**IPC Soteco**

Ref. K	Part n.	Part n. 2	Description	Quantity	Validity		Price
					From	To	
0001	PMTA08509		HEAD TOPPER 215/515 PU TC C/P	1,00			--
0002	FTDP40006		HEPA CARTRIDGE D.175X118 H=250	1,00			--
0003	LAFN11163		TANK 500/33W A430 NE/VEI COND	1,00	07/03/2017		--
0004	MPVR40524		TROLLEYVEGAS TROLLEY 500 COMPLET	1,00			--

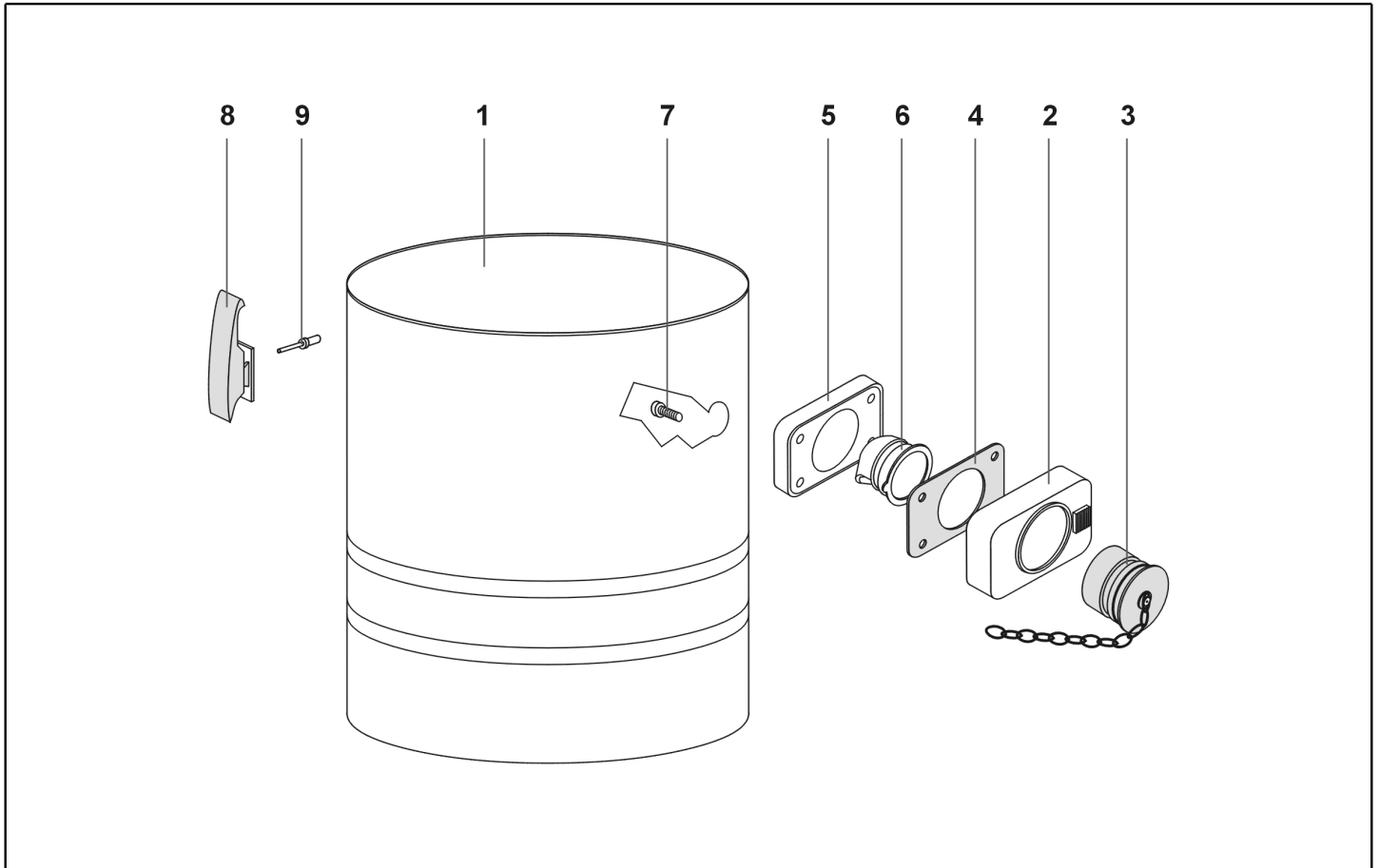




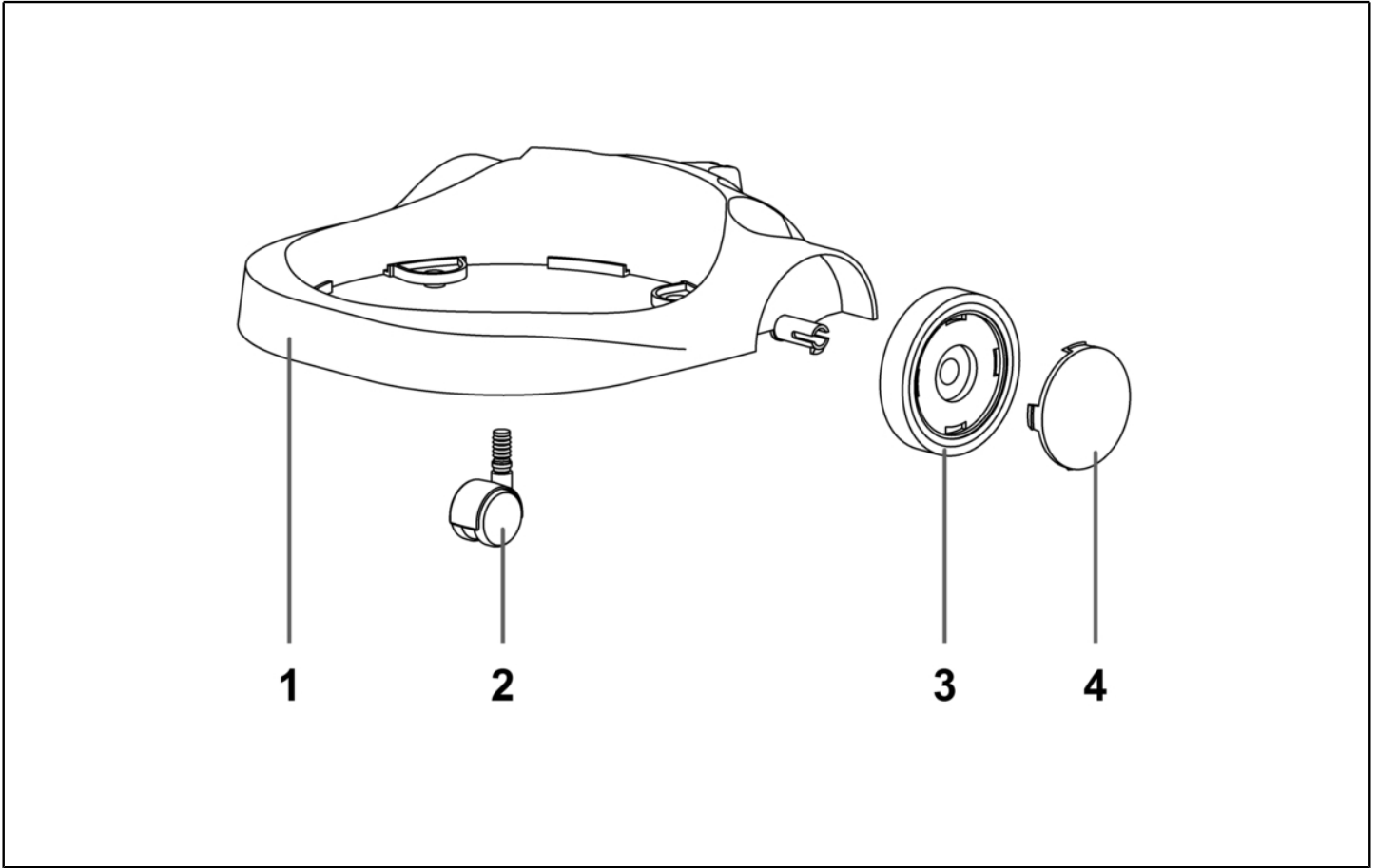
Ref. K	Part n.	Part n. 2	Description	Quantity	Validity		Price
					From	To	
0040	FSVR00147		CABLE TIE D.5 MONO LOBO	1,00			--
0041	GUVR40078		GASKET H3 DS50 W/ANTI FOAM BODY	1,00			--
0042	LAFN08683		BRACKET BLOC FIL CLASS H	1,00			--
0043	VTVT87311		SCREW PAT TMT PHL 5X20 INOX	4,00			--



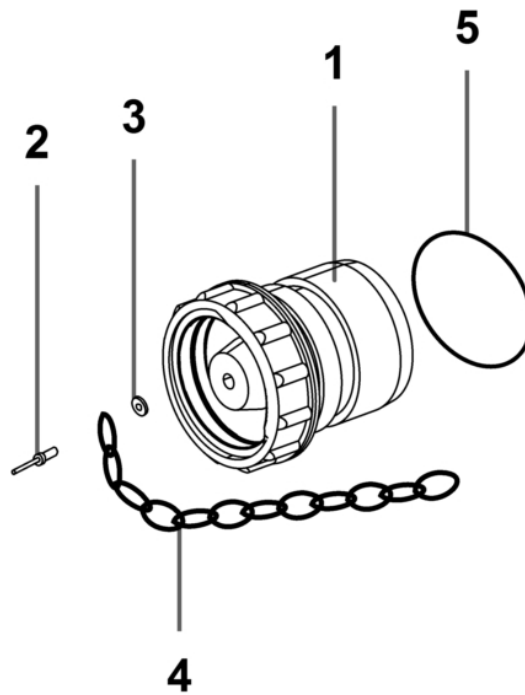
Ref. K	Part n.	Part n. 2	Description	Quantity	Validity		Price
					From	To	
0001	FTDP40006		HEPA CARTRIDGE D.175X118 H=250	1,00			--
0001	FTDP40006		HEPA CARTRIDGE D.175X118 H=250	1,00			--



Ref. K	Part n.	Part n. 2	Description	Quantity	Validity		Price
					From	To	
0001	LAFN28728		TANK MEC 500 AISI 430	1,00			--
0002	MPVR09044		PIPE UNION 38 BLACK P/VEI A/G5 COND	1,00			--
0003	RCVR00936		PIPE UNION PIPE UNION D.38 COMPL.	1,00			--
0004	GUGO28701		GASKET D.38	1,00			--
0005	GUGO28736		GASKET R 205 BLACK	1,00			--
0006	MPVR28696		DEFLECTOR 99	1,00			--
0007	VTVT71966		SCREW PAT TMT PHL 5X30 BLACK	4,00			--
0008	CHVR28735		COMPLETE PLASTIC HOOK BLACK	2,00			--
0009	VTVR71991		RIVET 5X11	4,00			--

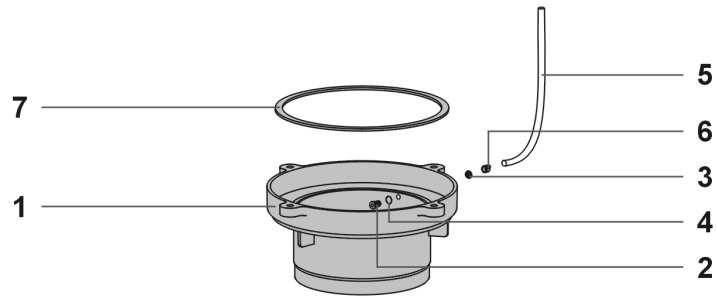


Ref. K	Part n.	Part n. 2	Description	Quantity	Validity		Price
					From	To	
0001	MPVR40522		TROLLEY TROLLEY BODY 500 VEGAS BL	1,00			--
0002	RTRT42006		TROLLEY BOX WHEEL	2,00			--
0003	RTRT85778		WHEEL BODY YES	2,00			--
0004	MPVR40523		WHEEL COVERING YES BLACK	2,00			--



Ref. K	Part n.	Part n. 2	Description	Quantity	Validity		Price
					From	To	
0001	RCVR01104		SLEEVE D.38 CHIUSO TORNITO	1,00	22/03/2016		--
0002	VTVR71992		RIVET 4,8X17	1,00			--
0003	VTRS00389		CRICKET M 6X18X1,5 UNI 6593	1,00			--
0004	PVVR00131		GENOVESE CHAIN GALV.N°14	0,28			--
0005	GUGO00408		O-RING D.INT. 44,12X2,62 NBR	1,00			--





Ref. K	Part n.	Part n. 2	Description	Quantity	Validity		Price
					From	To	
0001	MPVR10525		CARTRIDGE SUPPORT WL	1,00			--
0002	RCVR00845		HOSE FITTING WARNING LIGHT	1,00			--
0003	VTRS00415		WASHER SELF-LOC. D.6 ZA6	1,00			--
0004	GUGO00474		O-RING 2015 NBR SH70	1,00			--
0005	TBBP00547		TUBE PVC D.5X3 CM46 X WAR LIGH	1,00			--
0006	FSVR00147		CABLE TIE D.5 MONO LOBO	1,00			--
0007	GUVR40078		GASKET H3 DS50 W/ANTIFOAM BODY	1,00			--



Ref. K	Part n.	Part n. 2	Description	Quantity	Validity		Price
					From	To	
0001	GUVR40078		GASKET H3 DS50 W/ANTIFOAM BODY	1,00			--
0001	GUVR40078		GASKET H3 DS50 W/ANTIFOAM BODY	1,00			--
0001	GUVR40078		GASKET H3 DS50 W/ANTIFOAM BODY	1,00			--