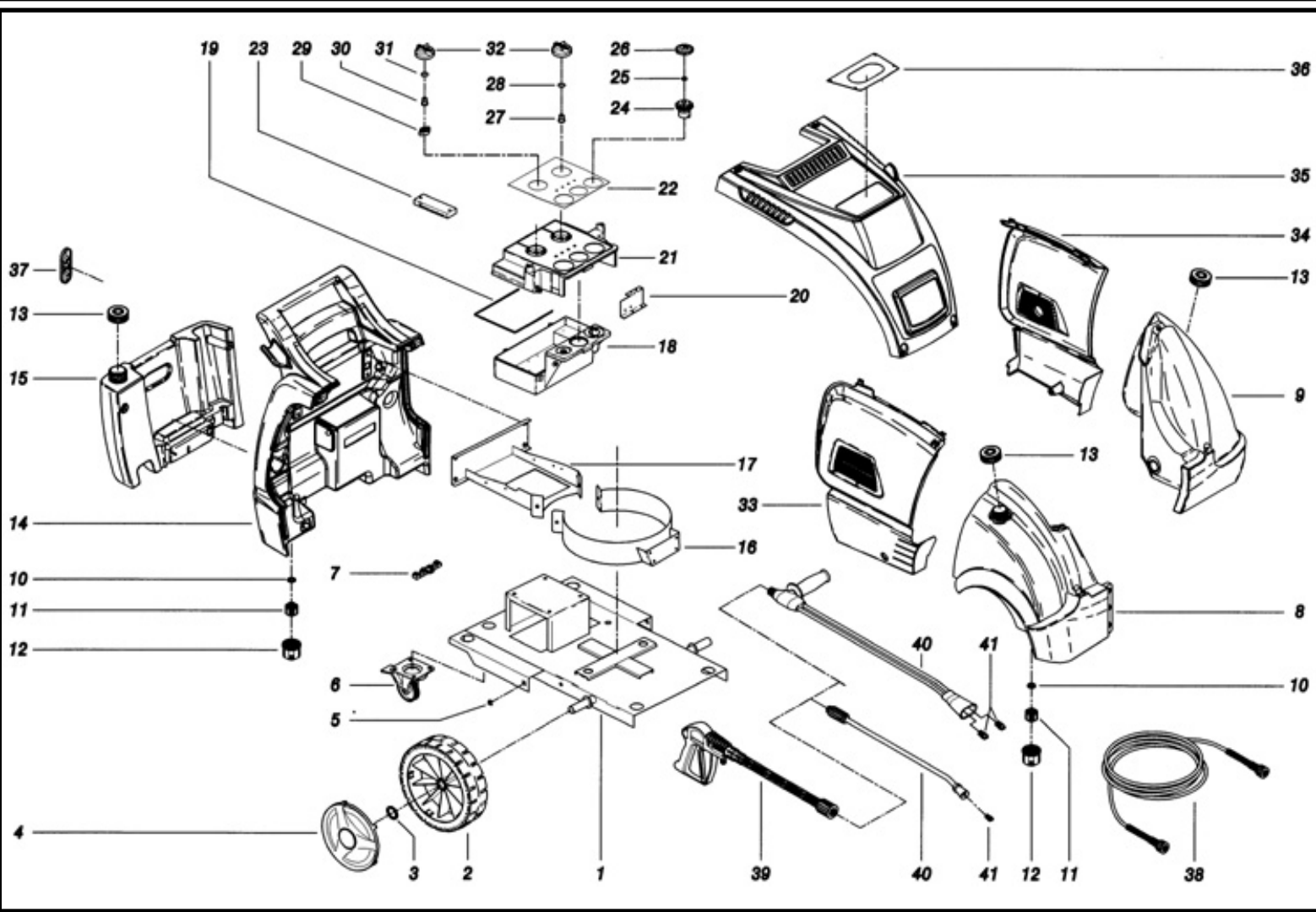




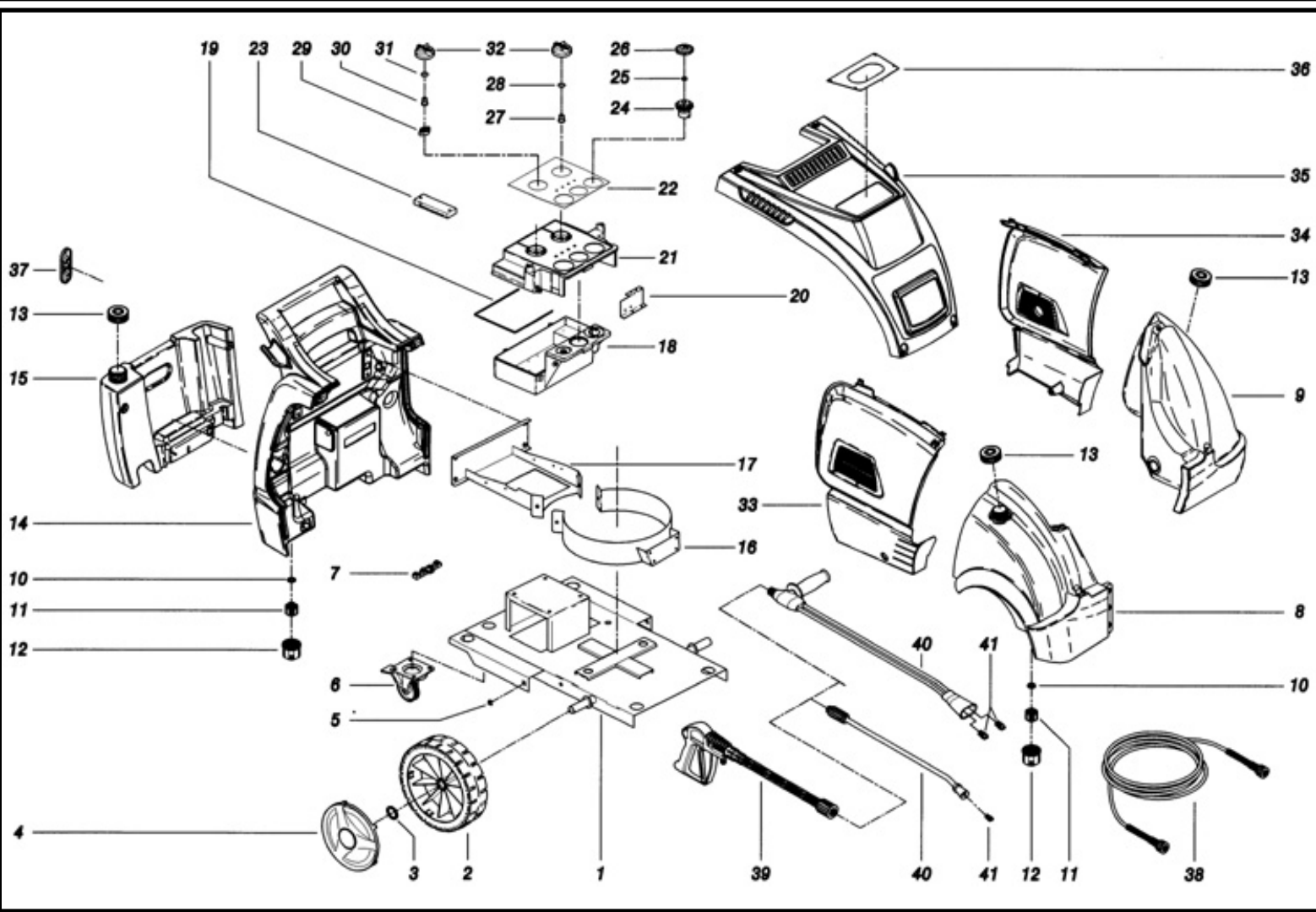
FOMA Norge AS
Regnbuevn. 6
1405 Langhus
Telefon: 64 91 70 00
Telefax: 64 86 76 22
E-post: info@foma.no
Internett: www.foma.no

Spare Parts List

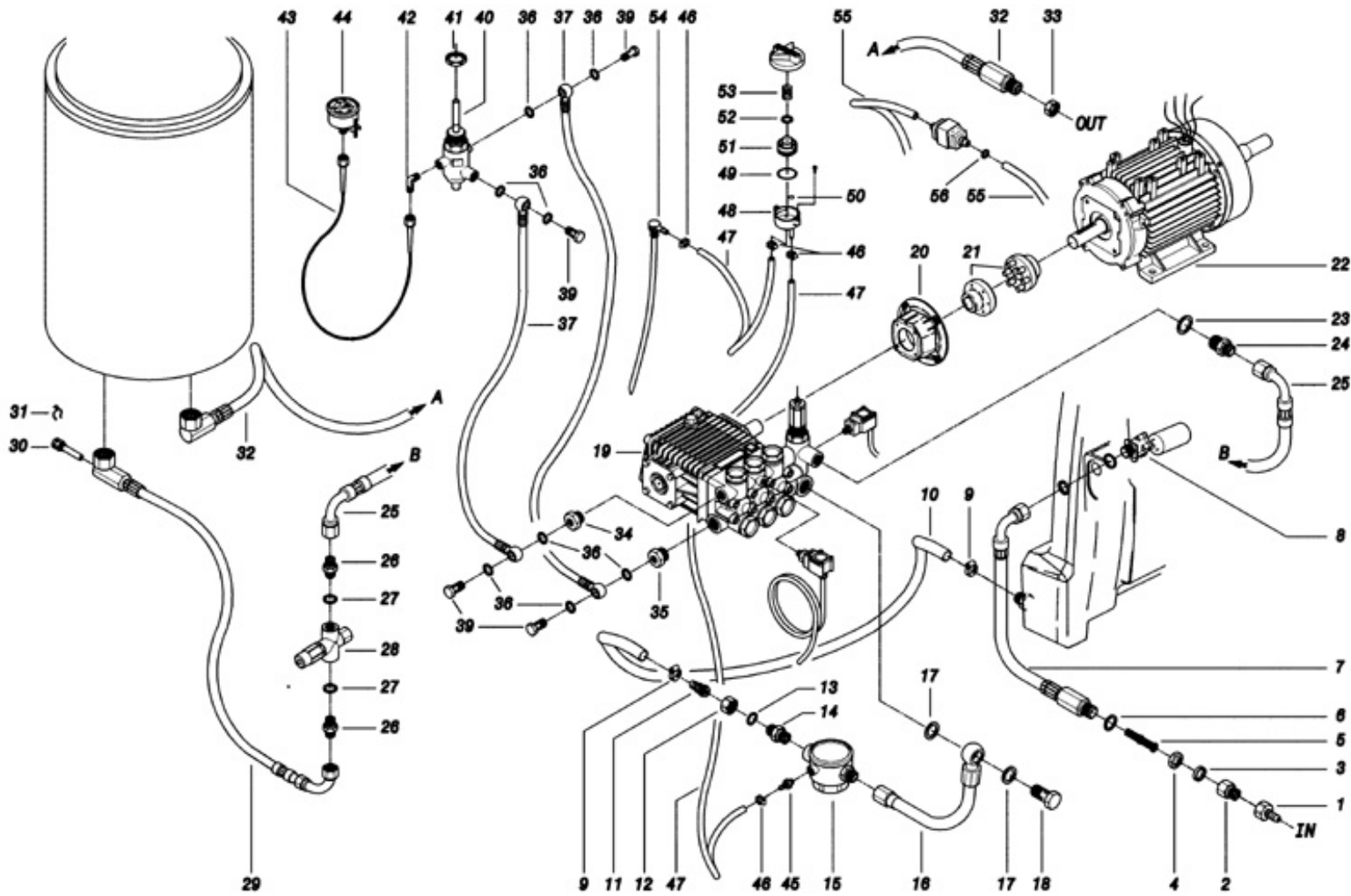
Model: Powerwash 180 TST



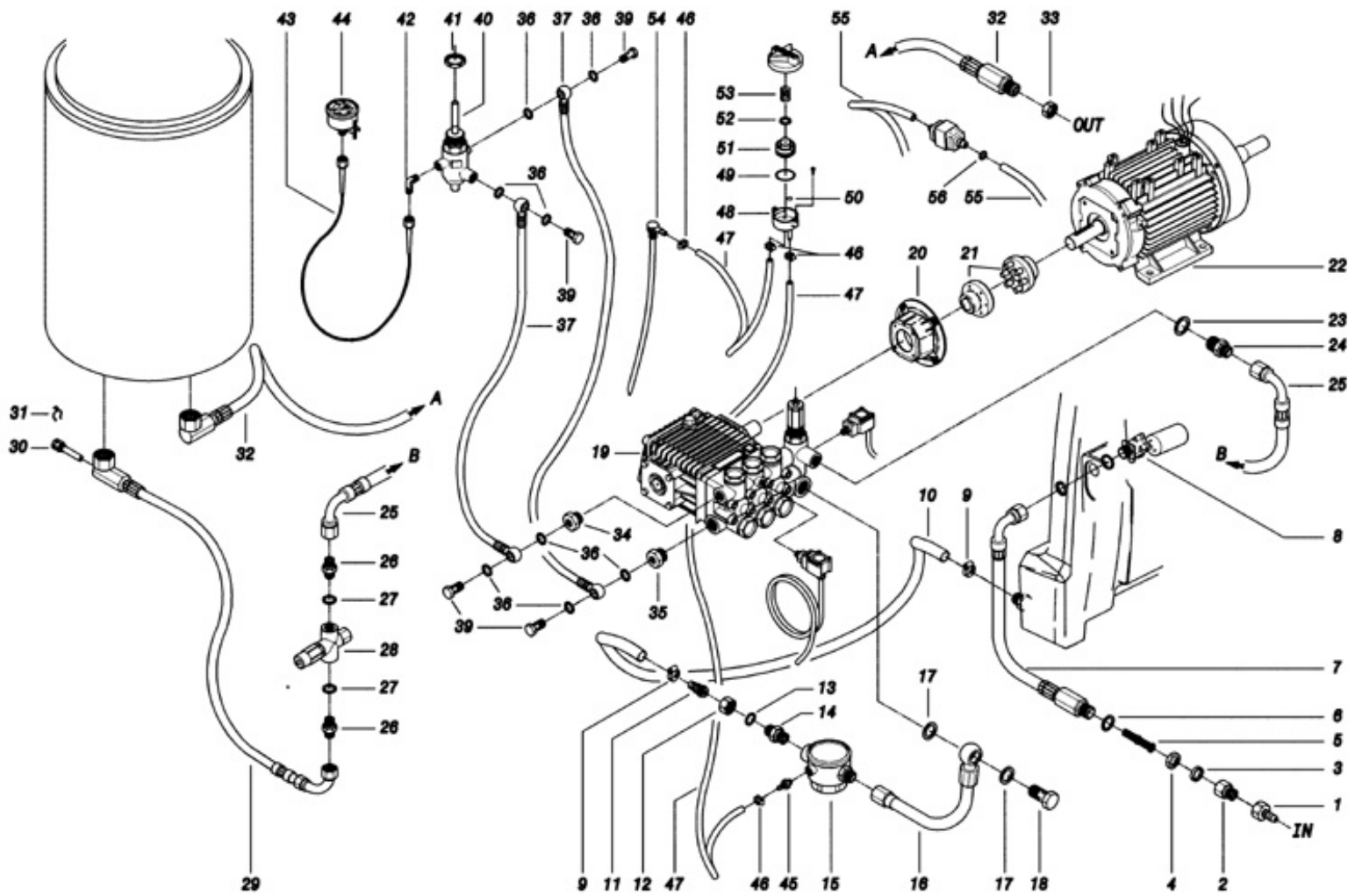
Ref.	K	Part N.	Customer Part N.	Description	Qty	Validity:	
						From	To
0001		LAFN44888		CHASSIS P176	1,00		
0002		RTRT45383		WHEEL D.305-D.25 RT-IPC	2,00		
0003		VTRS09813		WASHER D.25	2,00		
0004		MPVR45384		RED WHEEL COVERD. 305 RT-PRT	2,00		
0005		VTDD46044		NUT M 6 GB. 1.7X 2.5 ZT	2,00		
0006		RTRT13708		TURNING WHEEL D.125 P. MZ.PLS	1,00		
0007		MEVR20906		CABLE FASTNER KSM	1,00	03/2002	
0007		MEVR33994		CABLE FASTNER 4228 B D. 6- 18	1,00		03/2002
0008		MPVR45432		FUEL TANK P176 PEHD	1,00		
0009		MPVR45431		TANK P176 PEHD	1,00		
0010		GUGO11489		GASKET D.22X1,5	4,00		
0011		PVVR11806		DISCHARGE CAP FLL	4,00		
0012		MPVR20187		RING NUT M 39 X 3	4,00		
0013		MPVR45426		TANK CAP P176 PEHD	3,00		
0014		MPVR45429		HANDLE P176-OPTIMA C/SRB. PEHD	1,00		
0015		MPVR45430		TOOL HOLDER P176 C/SRB. PEHD	1,00		
0016		LAFN45946		BOX SUPPORT P176	1,00		
0017		LAFN44875		SUPPORT P176	1,00		
0018		MPVR44327		CONTROL BOX P176 ABS	1,00		
0019		GUGO11309		JOINT MOUSSE D. 3	1,20		
0020		LAFN45827		SUPPORT BRACKETP176 BT	1,00		
0021		MPVR44326		BOX COVER P176 ABS	1,00		
0022		ETET45898		LABEL P176-OPTIMA PLC	1,00		
0023		MPVR33250		CABLE CLAMP COVMISTRAL	1,00		
0024		MPVR45422		KNOB P176 PA6 GREY	1,00		
0025		VTAE13935		CIRCLIP D. 7 UNI 7435	2,00		04/2002
0025		VTAE14096		CIRCLIP D. 8 UNI 7435	2,00	04/2002	
0026		MPVR45859		CAP P176 GREY	1,00		
0027		MPVR23482		TAIL PIECE TEC. TUV	1,00		
0028		GUGO23079		V-SEAL RING VA0014 13.5- 15.5	1,00		
0029		MPVR41903		THICKNESS TERM.IM.PA66	1,00		
0030		MPVR23484		TAIL PIECE THERM.KSM TUV	1,00		
0031		GUGO25527		O-RING D. 14 X 3 NBR 70SH	1,00		
0032		MPVR20190		GREY KNOB KSM	3,00		
0033		MPVR45796		LAT. PANEL P176 DX RD	1,00		
0034		MPVR45795		LAT. PANEL P176 SX RD	1,00		
0035		MPVR45881		RED COVER P176-OPTIMA PP	1,00		
0036		LAFN45454		PANEL P176-OPT INX	1,00		
0037		MPVR45452		CAP P176 PP RED	2,00		



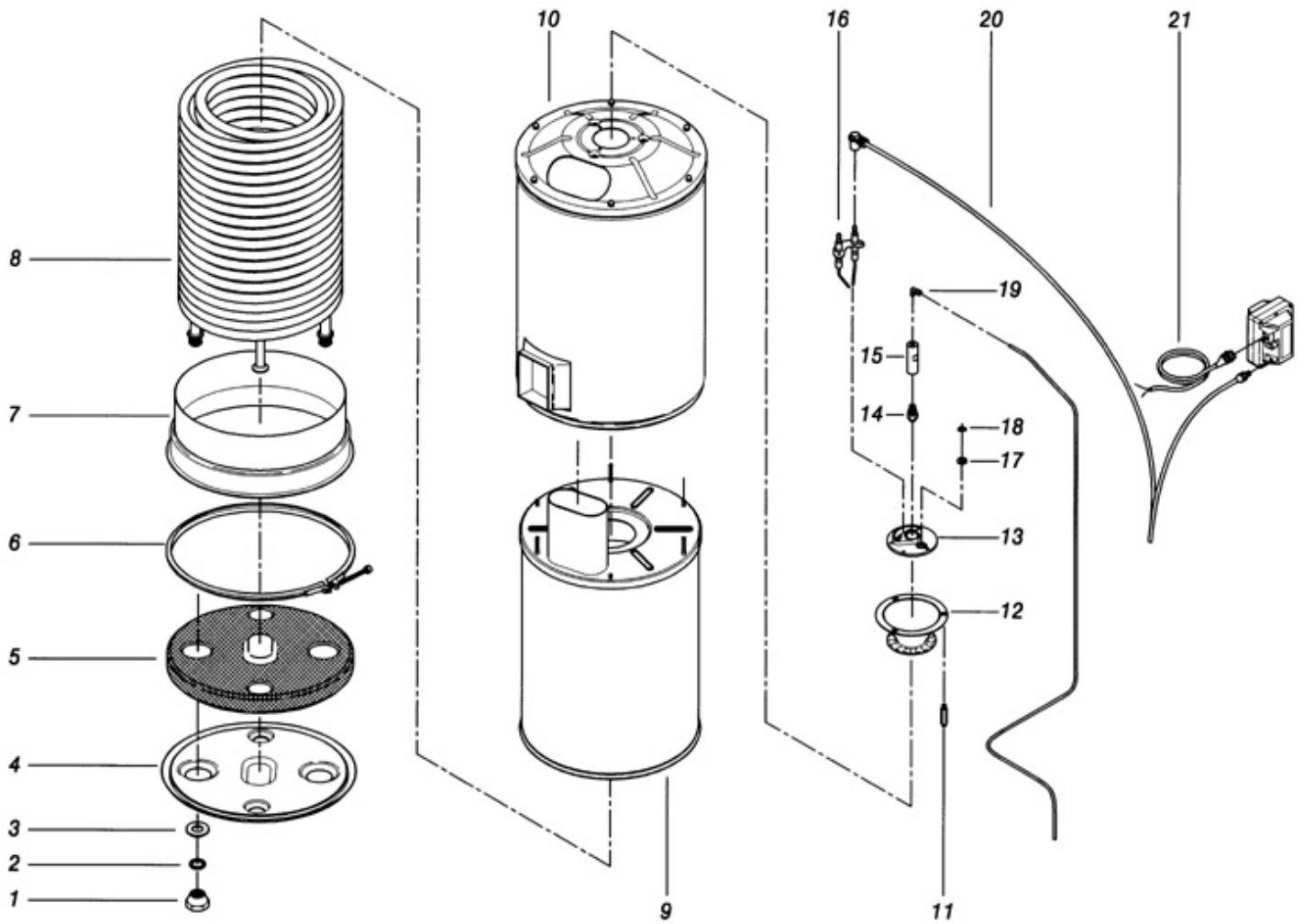
Ref. K	Part N.	Customer Part N.	Description	Qty	Validity:	
					From	To
0038	TBAP25324		H.P. HOSE R1 MT 10 5/16" IRV - IRV	1,00		
0039	IPPR45298		GRIP G 4500 - P 330 - M22 M V	1,00		
0040	LCPR12983		DOUBLE EXTENS. PD 70	1,00		
0041	UGLN02287		NOZZLE 1/4 2504	2,00		



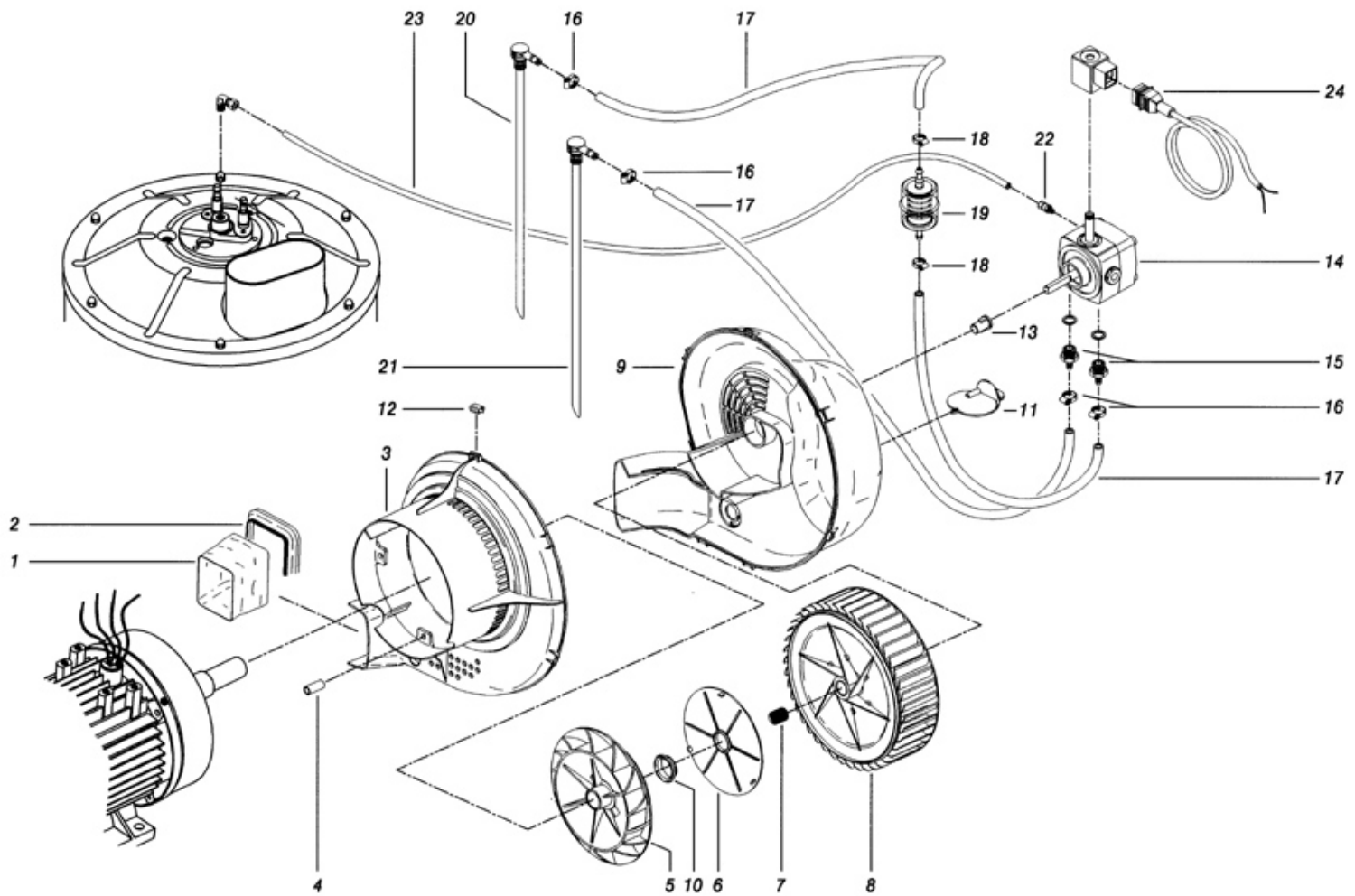
Ref. K	Part N.	Customer Part N.	Description	Qty	Validity:	
					From	To
0001	RCVR29600		SOCKET PTC 3/4 F	1,00		
0002	RCVR37806		REDUCTION PTC 3/4-1/2 M/F	1,00		
0003	GUGO37736		GASKET D. 10- 19 X 5 70SH	1,00		
0004	RCDS21223		RING NUT 1/2" X 4 NIK	1,00		
0005	FTAC30214		FILTER D.15X67	1,00		
0006	VTRS00549		WASHER D.21,5X27X1.5 (1/2) RM	1,00		
0007	TBBP46227		L.P. HOSE L= 650 3/4F 90°- 1/2M	1,00	03/2002	
0008	RCGR39997		FLOATER MTM 3/4G M 10BAR	1,00		04/2002
0008	RCGR60703		FLOATER MTM 3/4 PP. S/F.	1,00	04/2002	
0009	FSVR00431		CLAMP D. 16-25	1,00	06/2002	
0010	TBBP00055		L.P. HOSE D.15-23 10BAR AY TOK.	0,55		03/2002
0010	TBBP00055		L.P. HOSE D.15-23 10BAR AY TOK.	0,25	03/2002	06/2002
0010	TBBP15656		L.P. HOSE D.16-26 20BAR	0,25	06/2002	06/2002
0010	TBBP46847		L.P. HOSE L=300 3/4F 90° -15X26	1,00	06/2002	
0011	RCVR46040		HOSE FITTING PPL D.15 -P.G3/4	1,00		03/2002
0012	RCVR46041		CONNECTION G. 3/4 P.PG. D.15 PPL	1,00		06/2002
0013	GUGO01036		O-RING D. 10.82 X 1.78 NBR 70SH	1,00		
0014	RCDS46144		NIPPLE 3/4 - 1/2 CB D. 7.0	1,00		
0015	FTAC46472		WATER FILTER 1/2 MF	1,00	02/2002	
0016	RCDS45446		TUBE D.16X2 90° OC.1/2"-G 1/2F	1,00		
0017	VTRS12491		WASHER 1/2	2,00		
0018	RCDS16328		SCREW G 1/2 D.8	1,00		
0019	PPAP45415		PUMP "63" EL1413V DX T.OT.H DS	1,00		
0020	MFVR44328		COUNTERFLANGE H100 P176	1,00		
0021	FGGT45424		FLEX. COUPLING W 1 2PZ. P176	1,00		
0022	MOTR45410		3PH MOTOR P176 HP 5 400-504P H100	1,00		
0023	GUGO03507		O-RING D. 13.95 X 2.62 VIT 70SH	1,00		
0024	RCDS21480		NIPPLE 3/8 - 3/8 SV S.OR	1,00		
0025	TBAP46212		HOSE-FITTING 3/ 8 R1 L=470 3/8F-F 90°	1,00		
0026	RCDS00610		NIPPLE 3/8 - 3/8 SV	2,00		
0027	VTRS00548		WASHER D.17,5X22X1,5 (3/8)RM	1,00		
0028	VVSC40541		VALVE VS 220 2 G3/8 F	1,00		
0029	TBAP46211		HOSE-FITTING 3/ 8 R1 L=245 3/8F90-1/2P	1,00		
0030	RCDS00593		SUMP IM 0-120 L=50	1,00		
0031	MLML02623		SPRING IMT	1,00		
0032	TBAP46228		HOSE-FITTING 3/ 8 R1 L=485 M26+3/8F-P.	1,00	03/2002	
0032	RCIN09348		MALE COUPLING 3/8MA L=32	1,00	05/2002	
0033	RCDS21120		RING NUT M 26 X 1,5	1,00	03/2002	
0034	RCVR03760		REDUCTION 3/8-1/8 M/F	1,00		



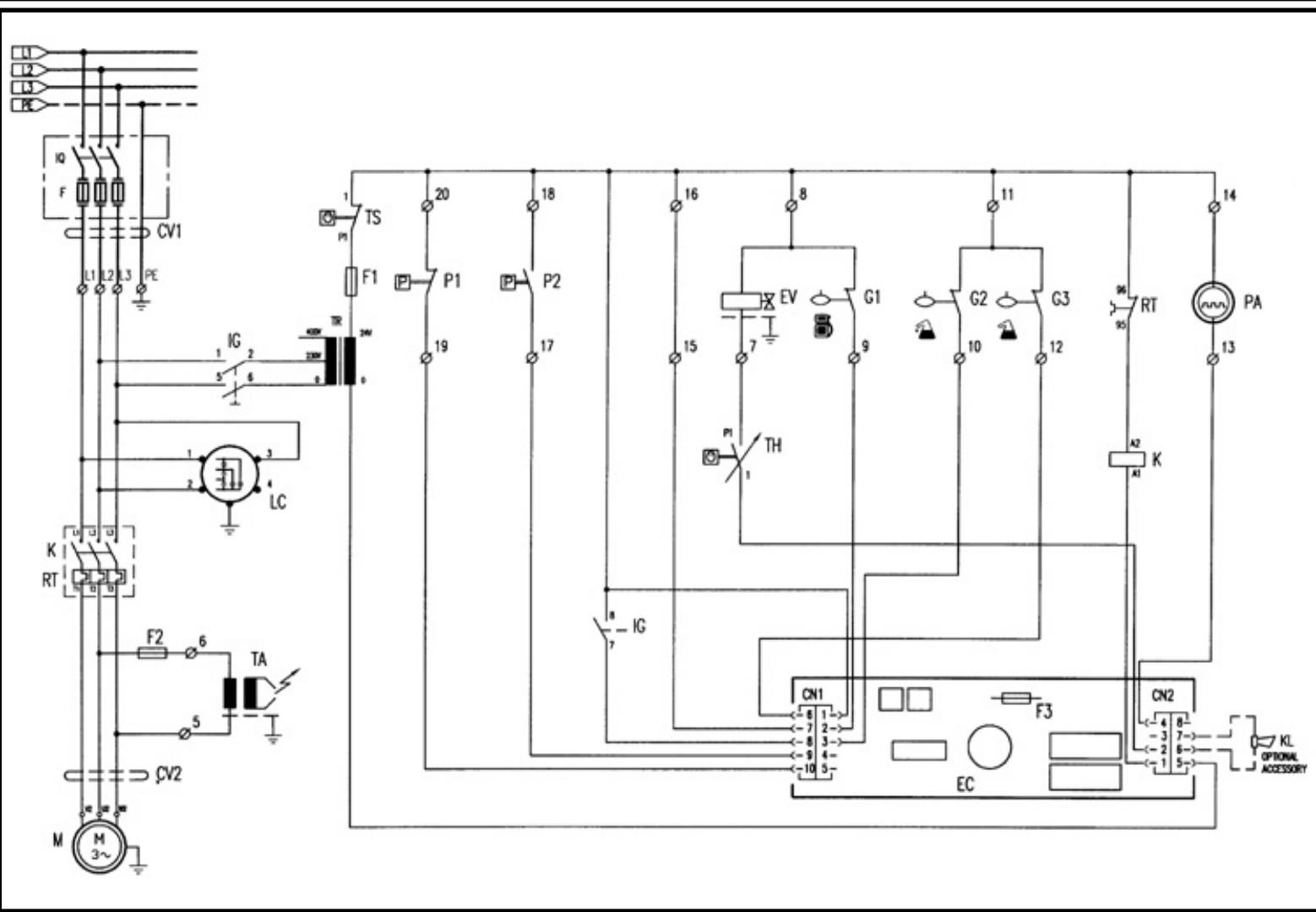
Ref. K	Part N.	Customer Part N.	Description	Qty	Validity:	
					From	To
0035	RCDS46197		REDUCTION 1/2-1/8 M/F OT CH.24	1,00		
0036	VTRS15369		WASHER D.10 X14X1 1/8	8,00		
0037	TBAP45876		POLYAMIDE HOSE L=510 1/8OC.-1/8OC.	2,00		
0039	RCDS15625		SCREW G 1/8 L=22	4,00		
0040	VVSF46731		PRESSURE VALVE P176 D.1.35 MV	1,00		
0041	RCDS21223		RING NUT 1/2" X 4 NIK	1,00		
0042	RCVR35844		ELBOW 1/4-1/8 M/M NIK	1,00		
0043	TBAP42069		POLYAMIDE HOSE L=260 1/4-1/4 F-F	1,00		
0044	MNMN07992		PRESSURE GAUGE 0-250 D.50	1,00		
0045	VVSF46712		VALVE 1/4M -PG. D.3X7.5	1,00		
0046	FSVR00427		CLAMP D. 12 CLIC 66-110	4,00		
0047	TBBP00051		DETERGENT HOSE D. 6-12	2,20		
0048	RCGR08069		TAP BODY DET. PRT	1,00		
0049	GUGO12183		O-RING D. 23.4 X 3.53 VIT 70SH	1,00		
0050	GUGO08071		O-RING D. 4.48 X 1.78 NBR 70SH	1,00		
0051	RCGR08070		ADJUSTER PRT	1,00		
0052	VTRS00542		WASHER D.14X20	1,00		
0053	MLML08068		SPRING D.1.5 L.23	1,00		
0054	RCDS46087		SUCTION L=400 CPL	1,00		
0055	TBBP00058		L.P. HOSE D. 4- 6	0,72		
0056	GUGO03500		O-RING D. 6.75 X 1.78 NBR 70SH	1,00		



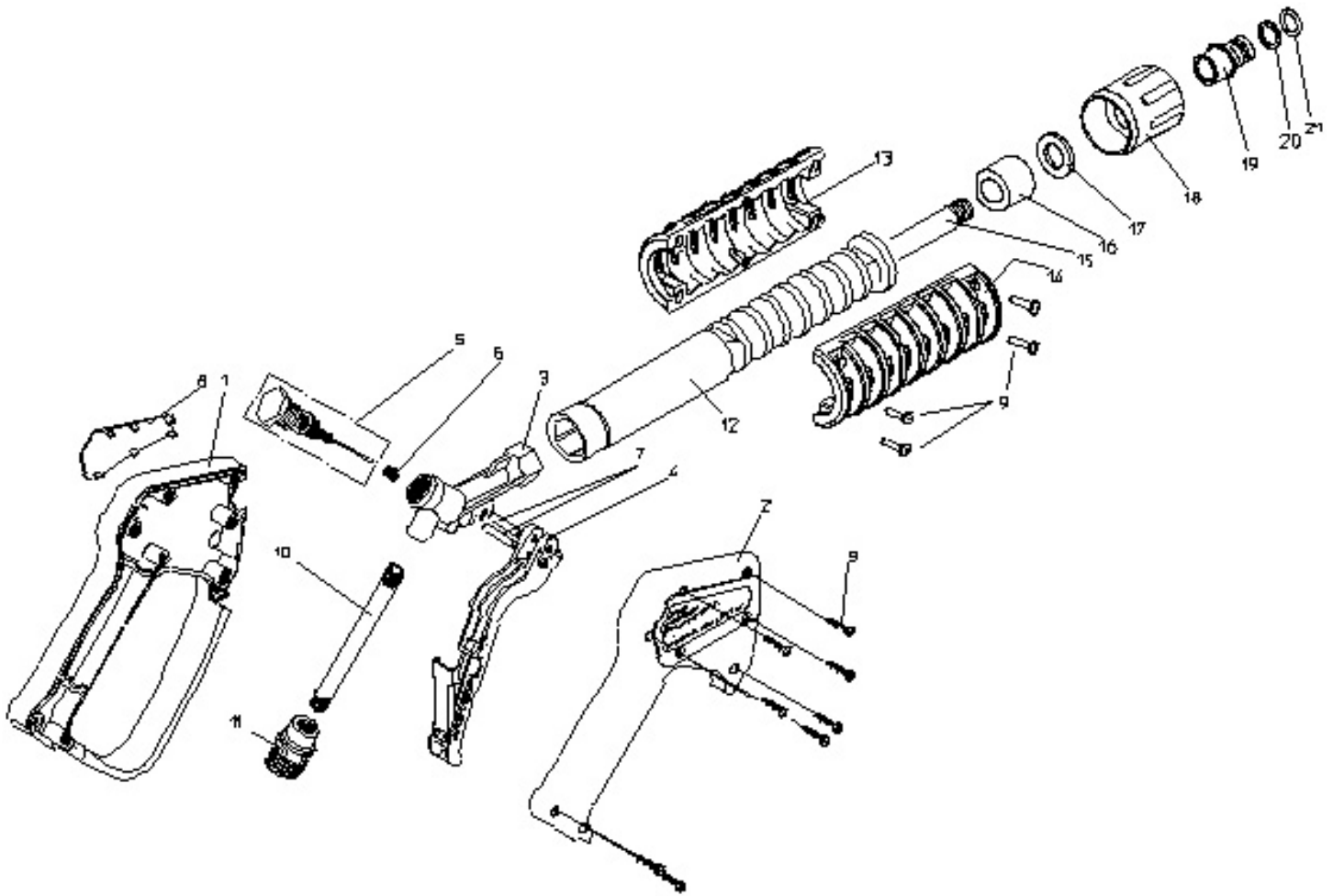
Ref. K	Part N.	Customer Part N.	Description	Qty	Validity:	
					From	To
0001	RCDS21120		RING NUT M 26 X 1,5	2,00		
0002	GUGO21222		O-RING D. 15.54 X 2.62 VIT 80SH	2,00		
0003	GUVR21021		ANTI-EXTR.RING D. 21 X17 TEF.	2,00		
0004	LAFN44149		BOILER BOTTOM P176	1,00		
0005	ITTE44175		BOTTOM P176 C.TE	1,00		
0006	LAFN44150		RING D.345 P176 ZN	1,00		
0007	LAFN44151		BAND P176 INX	1,00		
0008	LAGR44154		DOUBLE COIL M26X1.5 P176 30MT	1,00		
0009	LAFN46225		INT. CYLINDER P176 CP.INX	1,00		
0010	LAFN46711		EXT. CYLINDER P176-IPC CP.	1,00		
0011	LAFN44159		PIN CH.10 X 75.7 M5M/M5M P176	3,00		
0012	LAFN44244		BAFFLE P176 30M INX	1,00		
0013	MFVR44251		ELECTR.HOLDER P176	1,00		
0014	UGBR22576		BURNER NOZZLE 1.35 60 S	1,00		
0015	RCDS07642		NOZZLE HOLDER FUT	1,00		
0016	MECA12525		ELECTRODE FUT	1,00		
0017	MPVR18228		OIL WARN-LIGHT D.17 X3	1,00		10/2002
0018	VTAE22633		SEEGER 0.4 X18,30X10,5	1,00		10/2002
0019	RCVR08954		ELBOW 1/8"-4 B5	1,00		
0020	MECV35334		CABLE A.T. 9,8-23KOHM/M L= 400P	2,00		
0021	MECB34463		CABLE BT L=800 SP.	1,00		



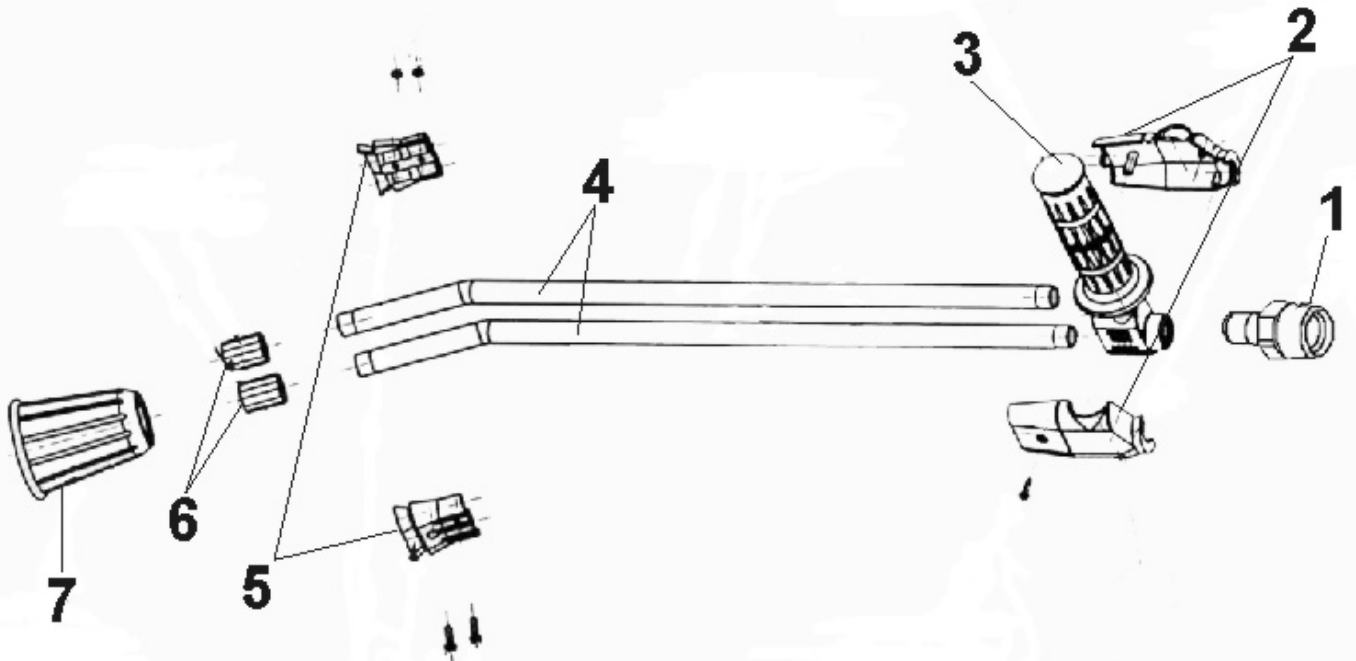
Ref. K	Part N.	Customer Part N.	Description	Qty	Validity:	
					From	To
0001	MPVR44176		SLEEVE P176 H= 50	1,00		
0002	FSVR01873		CLAMP LG 31920 9 X500	1,00	02/2002	
0003	MPVR45488		SCROLL BODY P176 PP	1,00		
0004	LAFN46100		SPACER D. 5.5/8.5-15 L= 9 P176	4,00		06/2002
0005	VEVR45443		MOTOR FAN P176 H 100	1,00		
0006	MPVR45444		SEPARATOR P176 ABS	1,00		
0007	VTVR45002		BUSHING D. 17-19X19 CPS.	1,00		
0008	VEVR45487		IMPELLER P176 D.240 43P. PA6	1,00		
0009	MPVR45489		VENTILATOR COV.P176 ABS	1,00		
0010	LAFN45783		BUSHING D. 30 P176	1,00		
0011	MPVR45445		BUTTERFLY VALVEP176 PP	1,00		
0012	VTVR20127		CLIP KSM	7,00		
0013	FGGT36513		JOINT HP 0.25 AACO	1,00		
0014	PPGS46118		FUEL PUMP DNF BFPC R5L2	1,00		
0015	RCDS00626		HOSE FITTING 1/4 M D. 5- 7	2,00		
0016	FSVR00427		CLAMP D. 12 CLIC 66-110	4,00		
0017	TBCO06945		L.P. HOSE D. 6-12 10BAR	2,20		
0018	FSVR11197		CLAMP D.I. 11 13315	2,00		
0019	FTCO34840		FUEL FILTER FB 1	1,00		
0020	RCDS46087		SUCTION L=400 CPL	1,00		
0021	RCDS46247		SUCTION L=190 CPL	1,00	01/2002	
0022	RCVR14014		BI-CONE CONNEC.DTT 1/8"M B1 D. 2/ 4 NIK	1,00		
0023	TBCO46140		DIESEL HOSE P176 30MT D. 4	1,00		
0024	MECB46130		CABLE DLT L=1100	1,00		



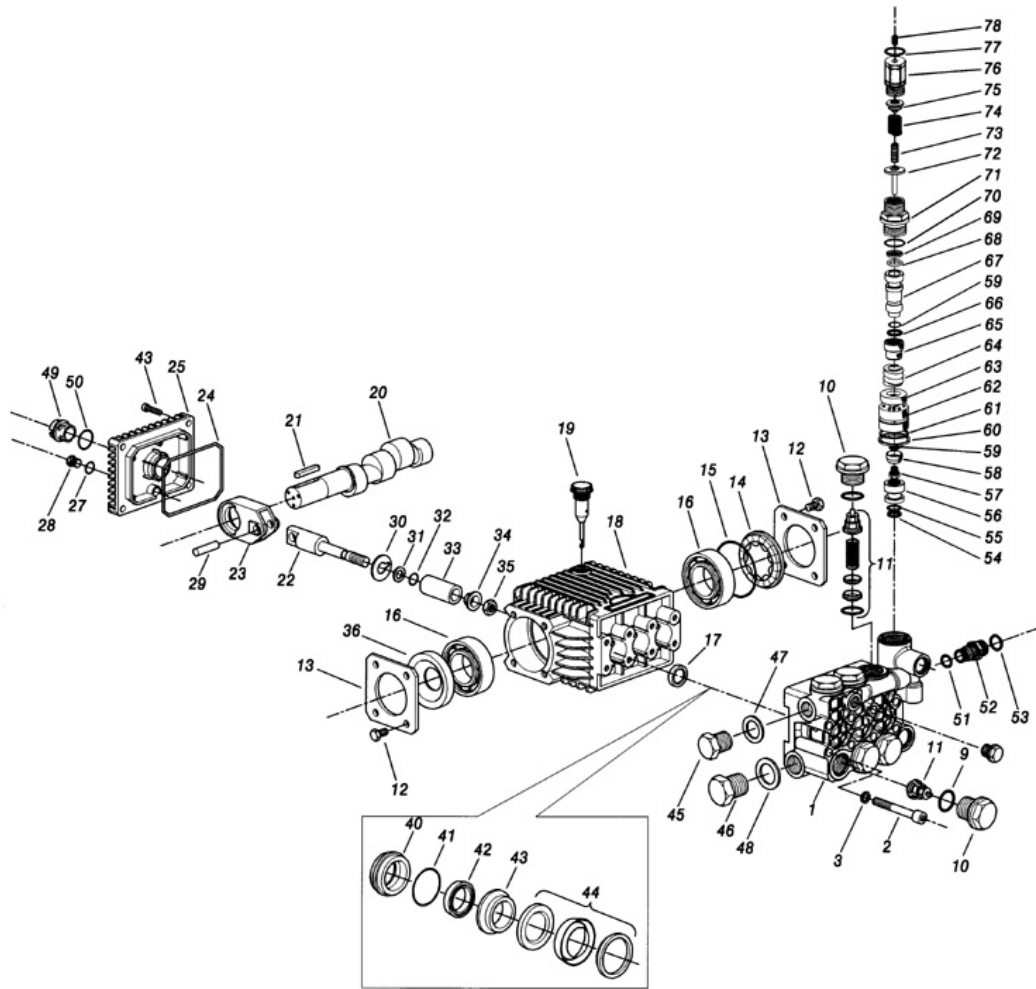
Ref.	K	Part N.	Customer Part N.	Description	Qty	Validity:	
						From	To
K		METT45022		CONTACTOR SIE 3RT 1025 1AC20 24V	1,00		
EC		MECE44178		PCB P176 T-ST/MP/LIV. 24V	1,00		
EV		MEBE43704		COIL DNF 24-50	1,00		
F1		MEVR02824		FUSE 5X20 1A	1,00		
F2		MEVR00237		FUSE 5X20 3,15A	1,00		
IG		MECI40544		COMMUTAT.SWITCHO-1-2 HD12H022-R000	1,00		
LC		MECE46139		FILTER FC RFI 475V	1,00		
P1		MEPF39901		PRESSURE SWITCHMTM 1/4M NA/NC 15B. MICRO	1,00		
P2		MEPF39902		PRESSURE SWITCHMTM 1/4M NA/NC 25B. MICRO	1,00		
PA		MEPD45940		DESCALING PUMP NME 1 24V 50/60HZ	1,00		
RT		METT45026		THERMAL RELAY SIE 3RU1126-4AB0 11-16 A	1,00		
TA		METR34464		TRANSFORMER 230V-50HZ 2X4000V SP4 CM	1,00		
TH		METK19354		THERMOSTAT 0-150° L=1200	1,00		
TR		METR11977		TRANSFORMER 35VA 230-400/24 50/60HZ	1,00		
TS		METK34839		THERMOSTAT 50°C TR/711-N C.1.5	1,00		
CV1		MECB10518		CABLE H07 RNF 4X1.5 L=6.500	1,00		05/2002
CV1		MECB17414		CABLE H07 RNF 4X2.5 L=6.500	1,00	05/2002	
G123		MECI46015		SENSOR LEVEL S1.PML.M16 +KIT GU/DA	1,00		04/2002
G123		MECI46804		SENSOR LEVEL S1.PML.M16 +KIT GU/DA-FST	1,00	04/2002	



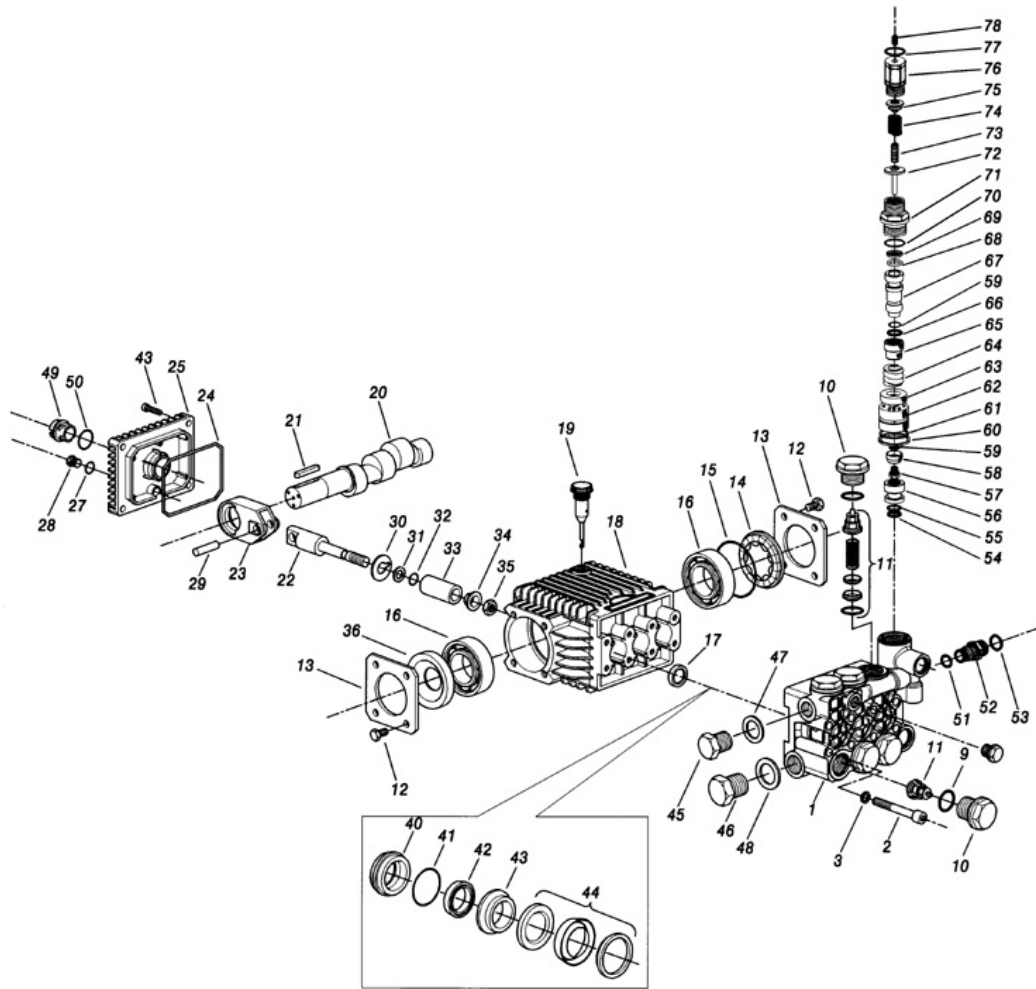
Ref. K	Part N.	Customer Part N.	Description	Qty	Validity:	
					From	To
0001	MPVR46562		SHELL G 4500	1,00		
0002	MPVR46563		COVER G 4500	1,00		
0003	PVVR46564		GUN BODY G 4500 G1/4 OT.	1,00		
0004	MPVR46565		TRIGGER G 4500	1,00		
0005	PVVR46566		SMALL PISTON G 4500 CPL.	1,00		
0006	PVVR46567		PISTON GUIDE G 4500 CPL.	1,00		
0007	VTVR46568		PLUG G 4500	2,00		
0008	MPVR46569		PLATE G 4500 RD.	1,00		
0009	VTVT28553		SCREW TCB-TC 3.5X16	11,00		
0010	PVVR37732		TUBE G 1/4" M/M L.139	1,00		
0011	RCIN03752		MALE COUPLING 1/4FA	1,00		
0012	MPVR46570		PROTECTION P 330 ST	1,00		
0013	PVVR13440		SHELL PROTECTI.ST	2,00		
0015	LCPR46571		TUBE 1/4 L=330 INOX	1,00		
0016	MPVR46572		SPACER P 330 ST	1,00		
0017	VTRS04931		WASHER D.13X19X1.5	1,00		
0018	PVVR13445		CONNECTION M 22X1,5 L=45	1,00		
0019	RCVR13030		GUDGEON G 1/4 F L=31.5	1,00		
0020	GUVR10526		ANTI-EXTR.RING D.13.9X10.2 C.BZ	1,00		
0021	GUGO10525		O-RING D. 9.3 X 2.4 NBR 70SH	1,00		



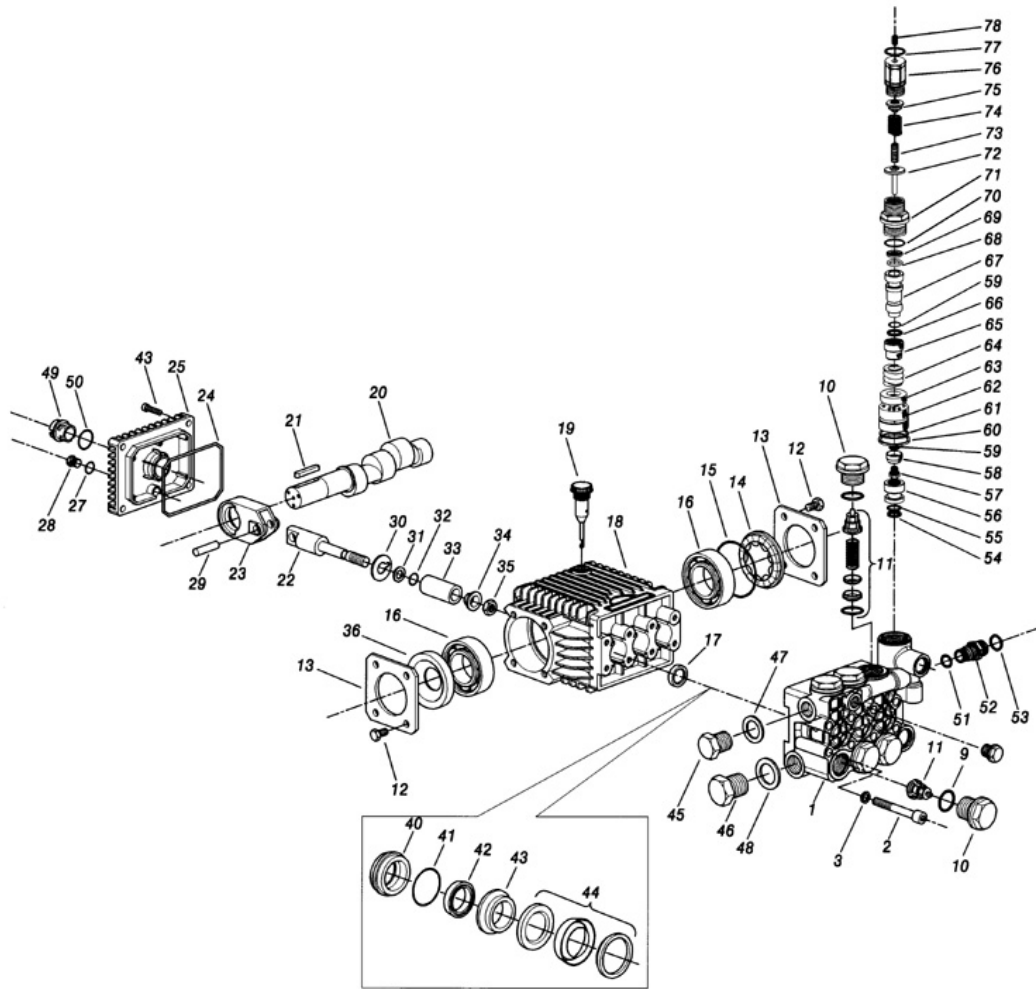
Ref. K	Part N.	Customer Part N.	Description	Qty	Validity:	
					From	To
0001	PVVR45296		COUPLING G 1/4M -M22 M	1,00		
0002	MPVR45214		PROTECTION TB.1/4 MTM	1,00		
0003	RCGR45737		TAP 1/4 F LD MTM	1,00		
0004	LCPR45740		TUBE 1/8 L=660 INOX MTM	2,00		
0005	MPVR45001		SHELL LD MTM	1,00		
0006	RCVR45741		NOZZLE HOLDER 1/4-1/8 F MTM	2,00		
0007	PVVR43810		PROTECTION L.D. MTM	1,00		



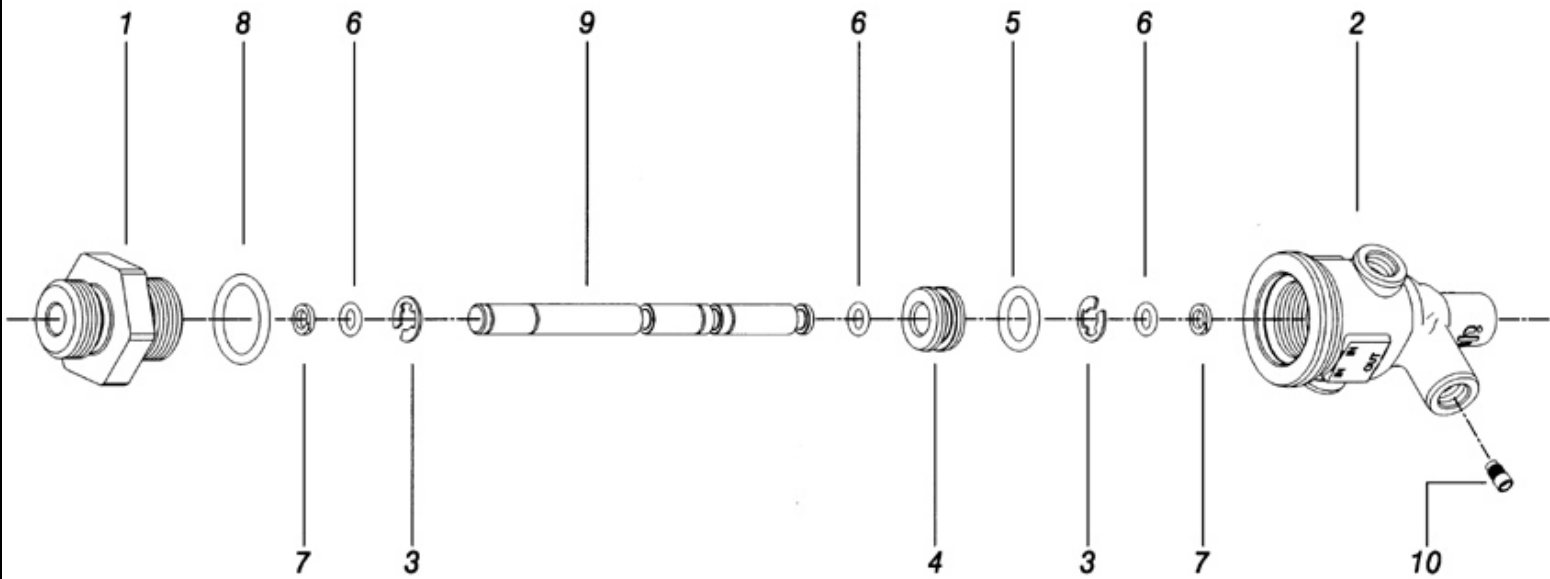
Ref.	K	Part N.	Customer Part N.	Description	Qty	Validity:	
						From	To
0001		MFVR46813		HEAD "63" D.18 V.INT.TS OT	1,00		
0002		VTVT46018		SCREW TCEI M 8X 65 UNI 5931 TRP	8,00		
0003		VTRS14242		WASHER D. 8.4X13X0.8 UNI7064 SCH	8,00		
0009	S	GUGO19395		O-RING D. 20.24 X 2.62 NBR 70SH	6,00		
0010	S	RCDS28466		CAP M24X1.5X17 "44"	6,00		
0011	S	VVAM28467		VALVE UNIT "44" WW136-186	6,00		
0012		VTVT01109		SCREW TE 6X10 UNI5739	8,00		
0013		MFVR03562		CRANKASE COVER W 70	2,00		
0014		MFVR28454		SPACER "44"	1,00		
0015		GUGO01040		O-RING D. 55.56 X 3.53 NBR 70SH	1,00		
0016		CUVR09654		BALL BEARING 6305	2,00		
0017	S	GUGO46019		OIL SEAL 18X 26X 6 -L.CM -NBR70SH	3,00		
0018		MFVR46020		PUMP CRANKCASE "63"	1,00		
0019		PVVR01089		OIL DIPSTICK W 70	1,00		
0020		ALMO46021		SHAFT "63" N C.12 D.24	1,00		
0021		VTVR45821		KEY 8X 7X22 UNI 6604	1,00		
0022		PVVR46022		PISTON GUIDE "63"	3,00		
0023		BLVR46023		CONNECTING ROD "63"	3,00		
0024		GUGO18695		O-RING D. 101.27 X 2.62 NBR 70SH	1,00		
0025		MFVR46024		CRANKASE COVER "63"	1,00		
0026		VTVT01114		SCREW TCEI 6X14 UNI 5931	4,00		
0027		GUGO01036		O-RING D. 10.82 X 1.78 NBR 70SH	1,00		
0028		RCDS01088		CAP 1/4X 9 M WW90	2,00		
0029		PVVR46025		GUDGEON D. 9X27,5 "63"	3,00		
0030		VTRS46026		WASHER D. 9X25X0,5 "63"	3,00		
0031		GUVR10257		ANTI-EXTR.RING WW161	3,00		
0032		GUGO10464		O-RING D. 5.28 X 1.78 NBR 70SH	3,00		
0033		PIVR28455		PISTON D.18 "44"	3,00		
0034		VTRS46027		WASHER D. 8 C/CLL.	3,00		
0035		VTDD04284		NUT M8X1,25X12X3,5 S2	3,00		
0036		GUGO28465		OIL SEAL 25X 62X10 NBR70	1,00		
0040	S	PVVR46028		PACKING RETAIN.D. 18 "63"	3,00		
0041	S	GUGO01263		O-RING D. 28.30 X 1.78 NBR 70SH	3,00		
0042	S	GUVR46029		PACKING D. 18 L.P. "63"	3,00		
0043	S	PVVR46030		INTERMED. RING D. 18 "63"	3,00		
0044	S	GUVR46031		PACKING D. 18 H.P. "63"	3,00		
0045		RCDS01090		CAP 3/8X13 M WW90	1,00		
0046		RCDS01091		CAP 1/2X10 M	1,00		
0047		VTRS01074		WASHER D.17,5X23 X1,5	1,00		



Ref.	K	Part N.	Customer Part N.	Description	Qty	Validity:	
						From	To
0048		VTRS01075		WASHER D.21,5X27 ALL	1,00		
0049		PVVR46032		OIL INDICATOR S."63"	1,00		
0050		GUGO01044		O-RING D. 26.58 X 3.53 NBR 70SH	1,00		
0051		GUGO19194		O-RING D. 11.11 X 1.78 NBR 70SH	1,00		
0052		PVVR46785		CONNECTOR TS "63" VALV.H	1,00		
0053		GUGO09720		O-RING D. 14 X 1.78 NBR 70SH	1,00		
0054	S	GUVR11651		ANTI-EXTR.RING D. 10.6X15X2	1,00		
0055	S	GUGO03501		O-RING D. 9.92 X 2.62 VIT 70SH	1,00		
0056	S	PVVR12887		VALVE SEAT CONTROL SET W1	1,00		
0057	S	VTVT18667		SCREW M 5X0,8X7,5	1,00		
0058	S	PVVR18668		VALVE CLT	1,00		
0059	S	GUGO03497		O-RING D. 6.75 X 1.78 VIT 80SH	2,00		
0060	S	GUVR28469		ANTI-EXTR.RING D.22 X25X1,5	1,00		
0061	S	GUGO08182		O-RING D. 21.91 X 1.78 NBR 70SH	1,00		
0062	S	PVVR28470		VALVE GUIDE "44"	1,00		
0063	S	PVVR28471		VALVE "44"	1,00		
0064	S	MLML28472		SPRING D. 18.5 X11 "44"	1,00		
0065	S	PVVR28473		SPACER "44"	1,00		
0066	S	GUVR04309		ANTI-EXTR.RING HM	1,00		
0067	S	PVVR28474		CONTROL PISTON "44"	1,00		
0068	S	GUGO01946		O-RING D. 9.13 X 2.62 VIT 70SH	1,00		
0069	S	GUVR01940		ANTI-EXTR.RING D. 9.5X14X1,5	1,00		
0070		GUGO01037		O-RING D. 23.81 X 2.62 NBR 70SH	1,00		
0071		PVVR28475		BUSHING "44"	1,00		
0072		PVVR28476		SPRING PLATE "44" INF.	1,00		
0073		MLML28477		SPRING D. 7.6 X29 "44"	1,00		
0074		MLML11655		SPRING D.15X35	1,00		
0075		PVVR11656		SPRING PLATE W1	1,00		
0076		PVVR18672		REGISTER COLT	1,00		
0077		GUGO01057		O-RING D. 20.35 X 1.78 NBR 70SH	1,00		
0078		VTVT20196		SCREW EI-ST 8X20 UNI5923	1,00		



Ref. Part N.	Cust. Part N.	Description	Reference
KTRI28508	KIT P	15-123	0011
KTRI28510	KIT P	15-124	0009 0010
KTRI28526	KIT P	137	0054 0055 0056 0057 0058 0059 0060 0061 0062 0063 0064 0065 0066 0067 0068 0069
KTRI46033	KIT P	15-159	0017
KTRI46034	KIT P	15-161	0042 0044
KTRI46035	KIT P	15-163	0040
KTRI46036	KIT P	15-165	0043
KTRI46037	KIT P	15-167	0040 0041 0042 0043 0044



Ref. K	Part N.	Customer Part N.	Description	Qty	Validity:	
					From	To
0001	PVVR45708		CONNECTOR STOPMATIC P176 OT.	1,00		
0002	RCDS44869		VALVE BODY P.176 OT58	1,00		
0003	VTAE45707		CIRCLIP D. 6 UNI 7434 INOX	2,00		
0004	PVVR45705		SMALL PISTON P176 OT.	1,00		
0005	GUGO01047		O-RING D. 11.91 X 2.62 NBR 70SH	1,00		
0006	GUGO10464		O-RING D. 5.28 X 1.78 NBR 70SH	3,00		
0007	GUVR46821		ANTI-EXTR.RING D. 5.1X 8.1X1.5 PTFE	2,00		
0008	GUGO01056		O-RING D. 18.72 X 2.62 NBR 70SH	1,00		
0009	PVVR45706		PUSH ROD P176 INX	1,00		
0010	UGLN17027		NOZZLE D. 1.35 BL	1,00		