

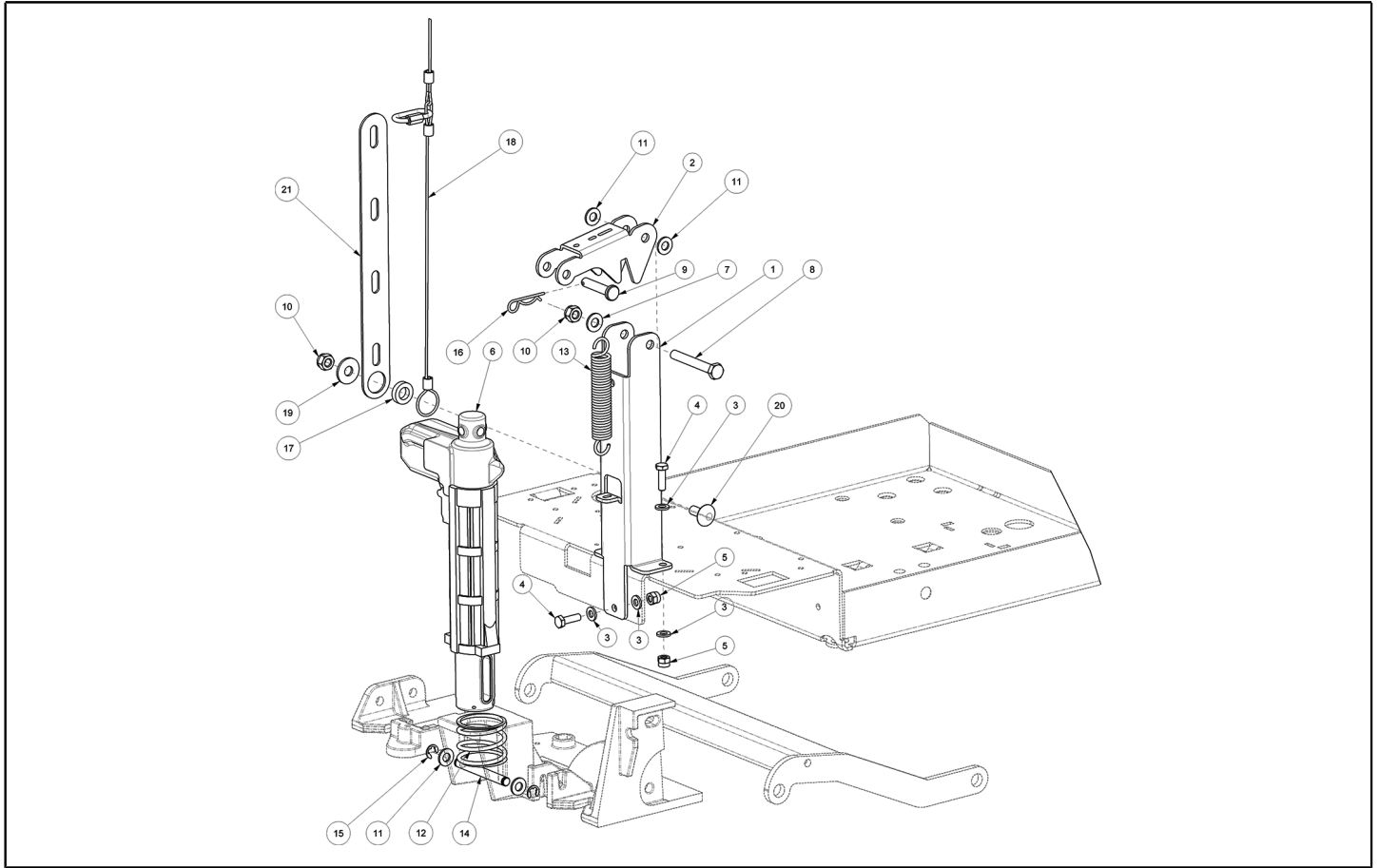


Spare Parts List

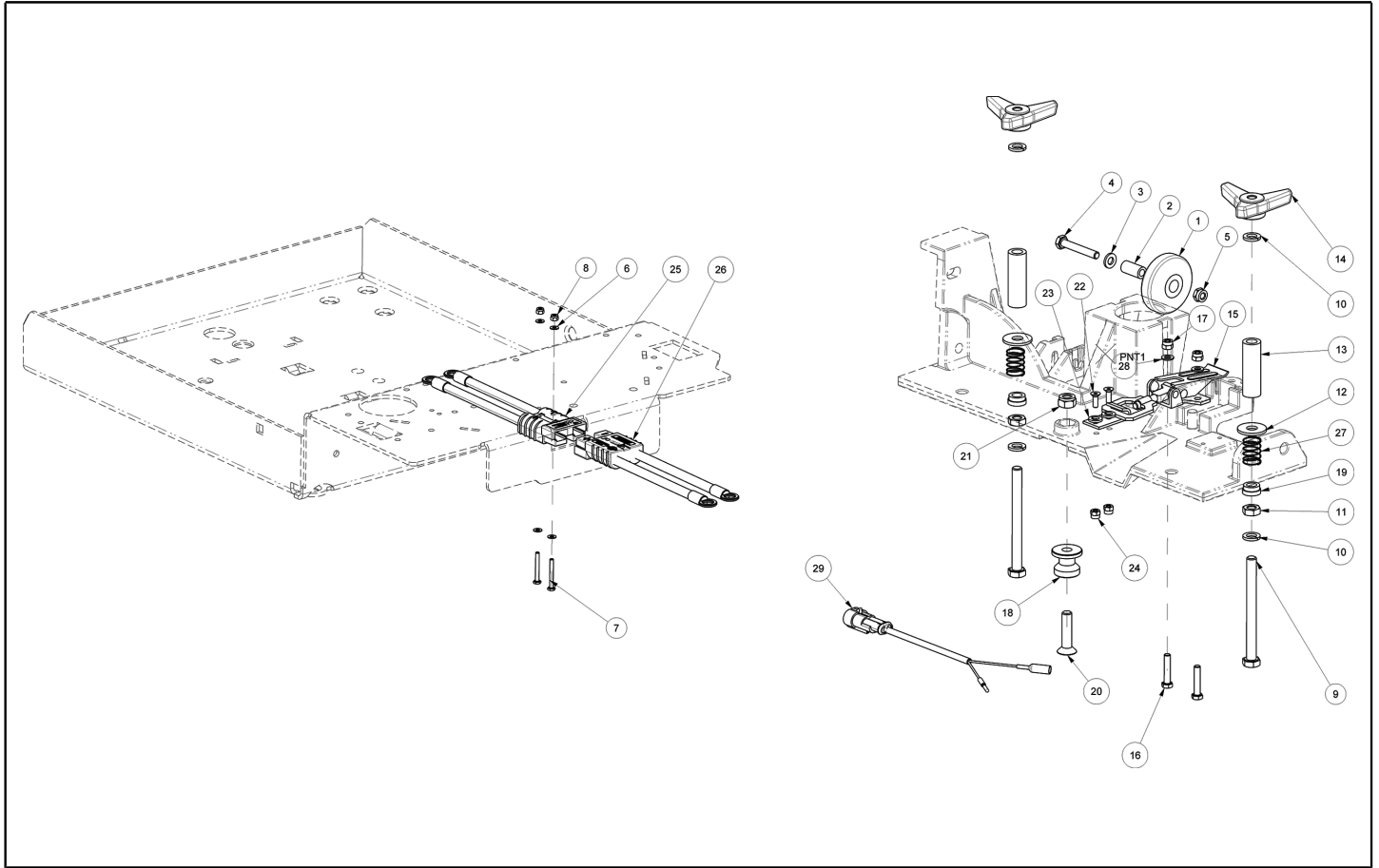
IP Cleaning Srl - Gansow

Ref: LPTB01912

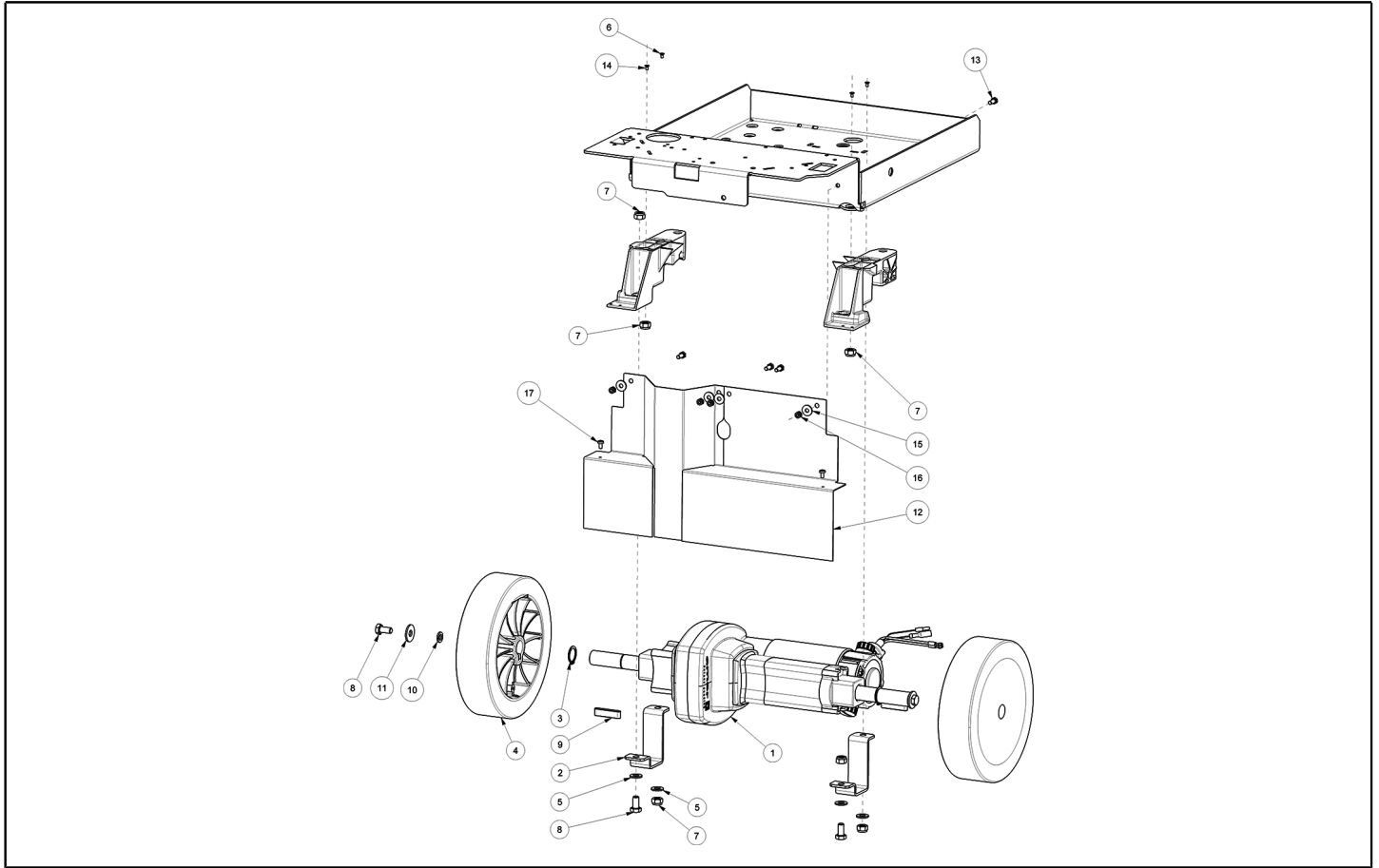
Model: FLOOR WASHER CT71 XP70+CB+BAT GR/VE



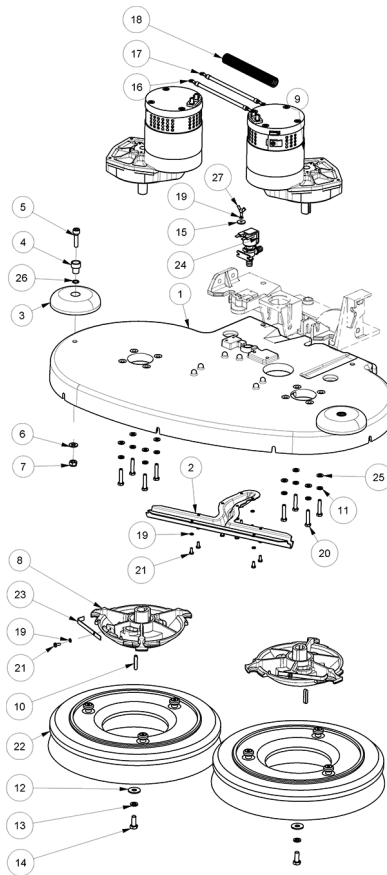
Ref. K	Part N.	Part N. 2	Description	Quantity	Validity		Price
					From	To	
0001	LAFN09431	N/A	BRACKET -	1,00			--
0002	LAFN11042	N/A	LEVER -	1,00			--
0003	VTRS00245	N/A	WASHER D.6 UNI 6592 INOX	6,00			--
0004	VTVT13939	N/A	SCREW TE 6X20 UNI5739 INX	3,00			--
0005	VTDD15518	N/A	NUT M 6 INX	3,00			--
0006	MOCC00448	N/A	ACTUATOR CT51-71 XP	1,00			--
0007	VTRS13947	N/A	WASHER D. 8 INX UNI 6592	1,00			--
0008	VTVT01009	N/A	SCREW 8X60	1,00			--
0009	VTVR00634	N/A	PIN 8X40X2	1,00			--
0010	VTDD01701	N/A	NUT M8 INOX+ZIN.	2,00			--
0011	VTRS00274	N/A	WASHER NYLON 66 D.8,4-17-2 UNI	4,00			--
0012	MLML00349	N/A	SPRING -	1,00			--
0013	MLML00479	N/A	SPRING -	1,00			--
0014	LAFN11051	N/A	PIN ACTUATOR BRUSH HEAD CT51	1,00			--
0015	VTAE00013	N/A	SEEGER RADIALE UNI 7434 D.8	2,00			--
0016	VTVR47052	N/A	SPLIT PIN AR DIAM.FILO 2	1,00			--
0017	LAFN11009	N/A	SPACER -	1,00			--
0018	CMCV00399	N/A	CABLE -	1,00			--
0019	VTRS13946	N/A	WASHER D. 8 X24 INX UNI 6593	1,00			--
0020	VTVT00842	N/A	SCREW	1,00			--
0021	MPVR11573	N/A	GUIDE CT51-71	1,00			--



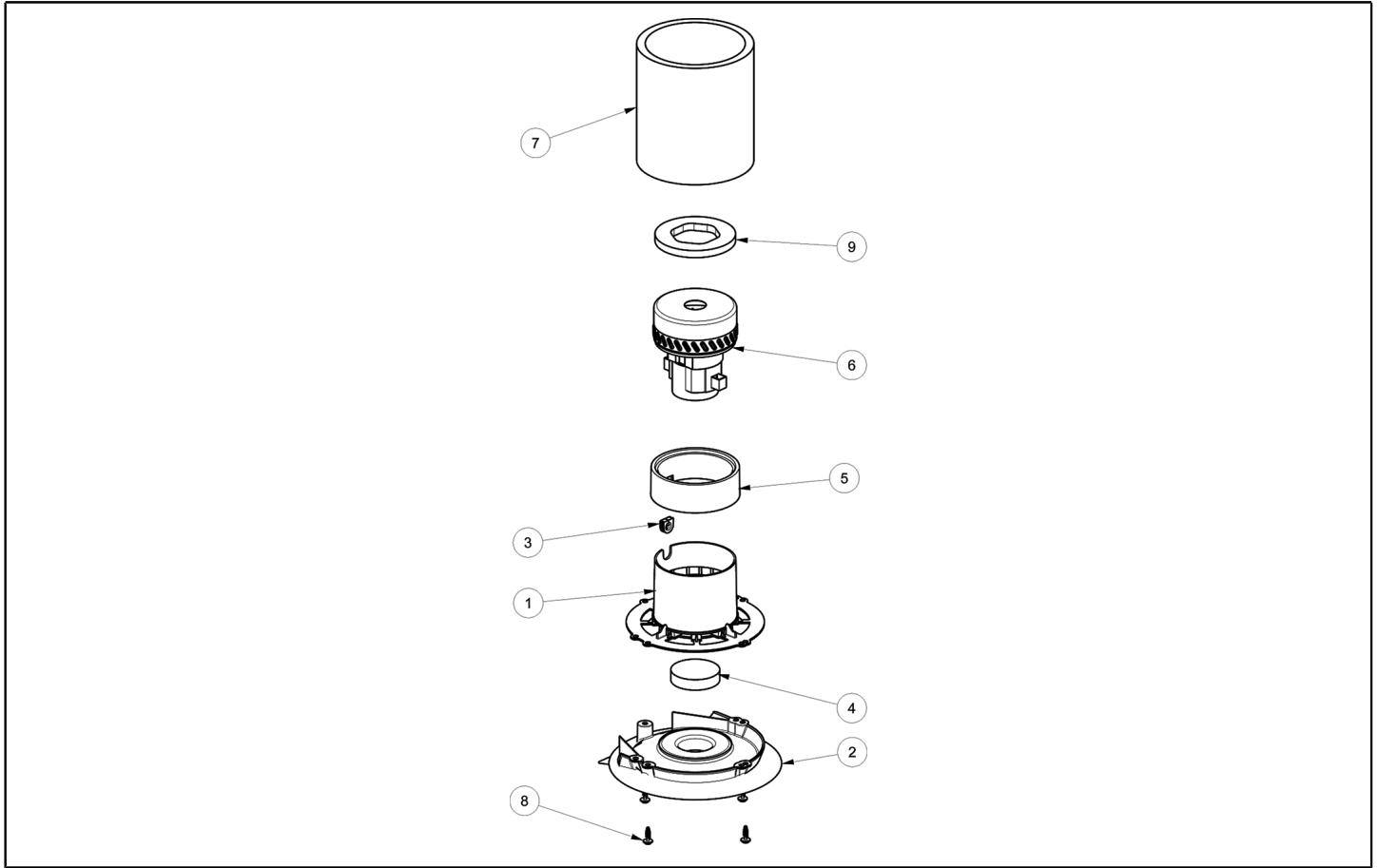
Ref. K	Part N.	Part N. 2	Description	Quantity	Validity		Price
					From	To	
0001	RTRT00576	N/A	WHEEL D.50X17 - HOLE 10.5	1,00			--
0002	MPVR06501	N/A	SPACER	1,00			--
0003	VTRS00245	N/A	WASHER D.6 UNI 6592 INOX	1,00			--
0004	VTVT15145	N/A	SCREW TE 6X40 UNI5739 INX	1,00			--
0005	VTDD01694	N/A	NUT M6 INOX	1,00			--
0006	VTRS21116	N/A	WASHER D. 3 INX	4,00			--
0007	VTVT00021	N/A	SCREW TE UNI 5739 3X25 ZB	2,00			--
0008	VTDD00210	N/A	NUT M 3 AUTOBL.DIN 985 IX.A2	2,00			--
0009	VTVT01321	N/A	SCREW TE 8X90 UNI5739	2,00			--
0010	VTRS15146	N/A	WASHER GROVER A2 UNI1751	4,00			--
0011	VTDD00057	N/A	NUT UNI 5589 M8 BASSO ZB	2,00			--
0012	VTRS13946	N/A	WASHER D. 8 X24 INX UNI 6593	2,00			--
0013	LAFN11002	N/A	SPACER -	2,00			--
0014	MPVR04164	N/A	SMALL KNOB YELLOW M8 F	2,00			--
0015	LAFN09418	N/A	HOOK BRUSH HEAD CT51	1,00			--
0016	VTVT00766	N/A	SCREW TE M. 5-25	2,00			--
0017	VTDD15517	N/A	NUT M 5 INX	2,00			--
0018	LAFN09419	N/A	PIN -	1,00			--
0019	LAFN11089	N/A	SPACER -	2,00			--
0020	VTVT00427	N/A	SCREW TSPEI 8X35 UNI5933 INX	1,00			--
0021	VTDD01701	N/A	NUT M8 INOX+ZIN.	1,00			--
0022	VTVT00474	N/A	SCREW TSCE uni 5933 4x12 ZB	2,00			--
0023	VTRS15144	N/A	WASHER D. 6 INX GRW UNI 1751	2,00			--
0024	VTDD15925	N/A	NUT M 4 INX+ZIN	2,00			--
0025	MECB01947	N/A	WIRING BOARD BRUSH HEAD CT51-71	1,00			--
0026	MECB01946	N/A	WIRING BRUSH HEAD MOTORS CT51-71	1,00			--
0027	MLML00348	N/A	SPRING -	2,00			--
0028	VTRS00516	N/A	WASHER D. 5 INX	2,00			--
0029	MECB02024	N/A	WIRING BRUSH MOTOR THERMAL CON.	1,00			--



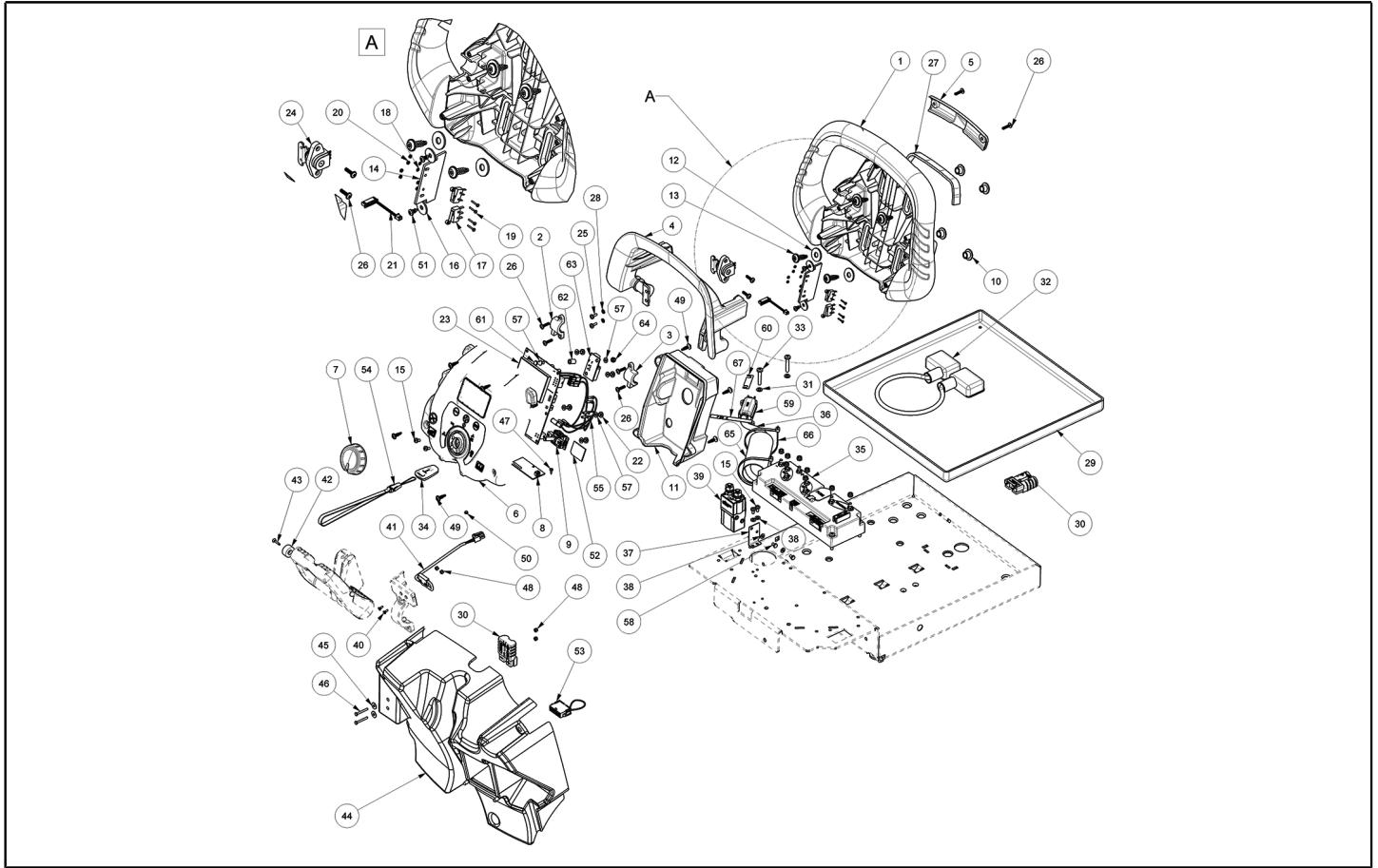
Ref. K	Part N.	Part N. 2	Description	Quantity	Validity		Price
					From	To	
0001	MOCC00465	N/A	MOTOR TRACTION 24V 200W	1,00			--
0001	MOCC00022	N/A	CARBON FOR MOCC86902-MOCC00395	2,00			--
0002	LAFN09453	N/A	SUPPORT TRACTION MOTOR CT51	2,00			--
0003	VTAE06193	N/A	CIRCLIP D. 20 UNI 7435	2,00			--
0004	RTRT00546	N/A	WHEEL D.200	2,00			--
0005	VTRS13947	N/A	WASHER D. 8 INX UNI 6592	4,00			--
0006	VTVT01589	N/A	SCREW M8X40 UNI933 A2	2,00			--
0007	VTDD01701	N/A	NUT M8 INOX+ZIN.	6,00			--
0008	VTVT15916	N/A	SCREW TE M 8X 16 UNI 5739 A2	4,00			--
0009	VTVR00566	N/A	KEY 6X10X40 UNI 6604 A (H.10)	2,00			--
0010	VTRS15146	N/A	WASHER GROVER A2 UNI1751	2,00			--
0011	VTRS13946	N/A	WASHER D. 8 X24 INX UNI 6593	2,00			--
0012	MPVR10760	N/A	FLAP TRACTION MOTOR CT51	1,00			--
0013	VTVT01300	N/A	SCREW TE M5X12 INOX	4,00			--
0014	VTVT00992	N/A	SCREW M8x55 INOX	2,00			--
0015	VTRS13750	N/A	WASHER D. 5X14 INX	4,00			--
0016	VTDD01693	N/A	NUT M 5 INX	4,00			--
0017	VTVT00813	N/A	SCREW M 4X 8 TCB-TC UNI 8112	2,00			--



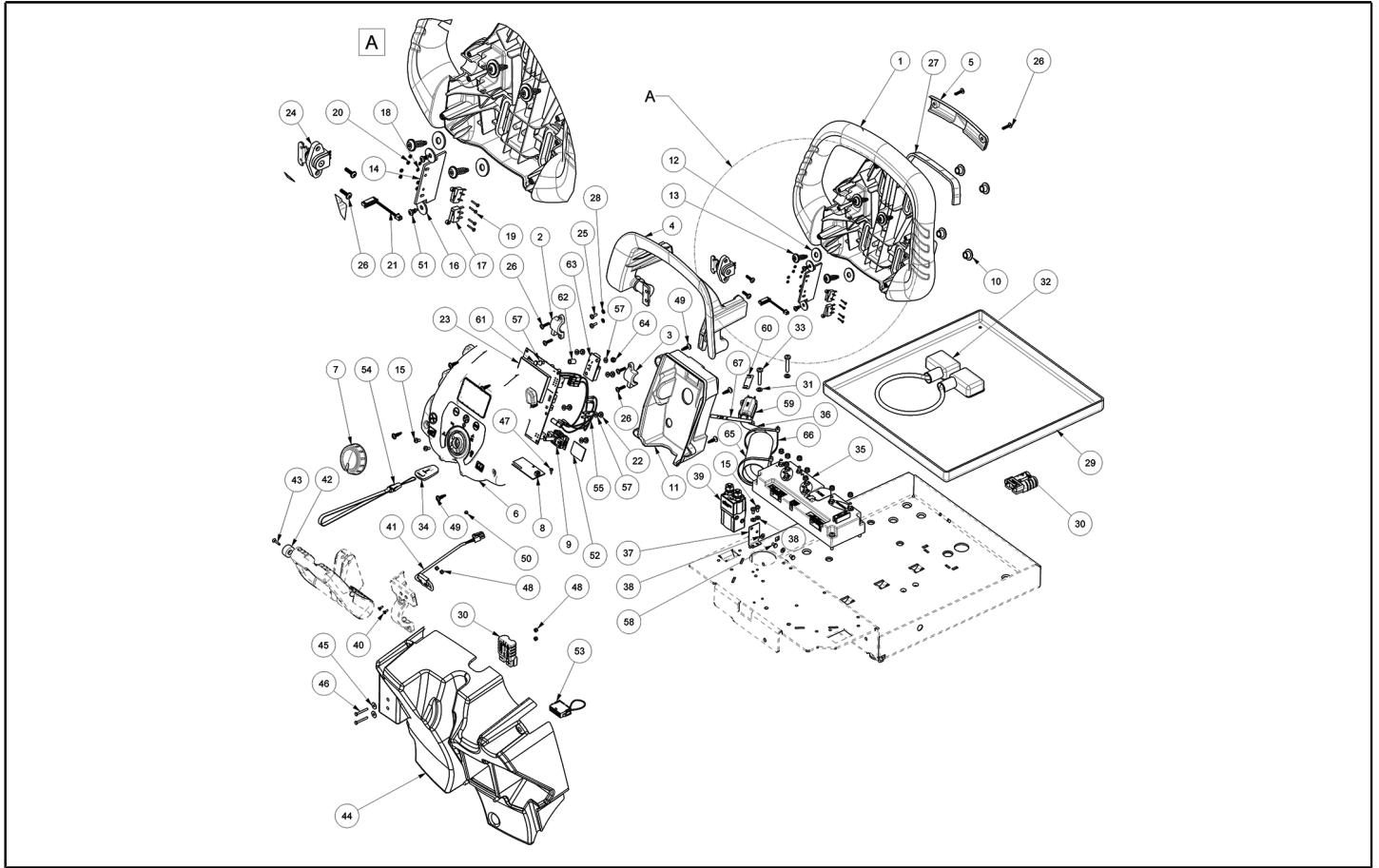
Ref. K	Part N.	Part N. 2	Description	Quantity	Validity		Price
					From	To	
0001	MFVR00239	N/A	BRUSH DECK ALUMINIUM CT51 BT70	1,00			--
0002	MPVR06489	N/A	DISTRIBUTOR WATER CT51 BT70	1,00			--
0003	MPVR05290	N/A	ROLLER SIDE BUMPER WHEEL	2,00			--
0004	LAFN03915	N/A	BUSHING NUOVO RUOTINO STRONG	2,00			--
0005	VTVT00822	N/A	SCREW TCEI M 8-30	2,00			--
0006	VTRS13947	N/A	WASHER D. 8 INX UNI 6592	2,00			--
0007	VTDD01695	N/A	NUT M 8 INX	2,00			--
0008	MFVR00242	N/A	DRIVE DISK CONICAL ALUMINIUM	2,00			--
0009	MOCC00450	N/A	MOTOR BRUSH CT51-71 BT60-70	2,00			--
0009	MEVR02923	N/A	CARBON MOCC00449-MOCC00450	1,00			--
0010	VTVR16617	N/A	KEY 6X 6X30 UNI 6604	2,00			--
0011	VTRS15144	N/A	WASHER D. 6 INX GRW UNI 1751	8,00			--
0012	VTRS13946	N/A	WASHER D. 8 X24 INX UNI 6593	2,00			--
0013	VTRS15146	N/A	WASHER GROVER A2 UNI1751	2,00			--
0014	VTVT13938	N/A	SCREW TE 8X20 UNI5739 INX	2,00			--
0015	VTRS00251	N/A	WASHER 4-16 INOX A2	1,00			--
0016	MECB01014	N/A	CABLE 6,5mmq	1,00			--
0017	MECB02008	N/A	WIRING L320 RED W/TERMINALS	1,00			--
0018	MEVR01577	N/A	FAIR-LEAD CT90	1,00			--
0019	VTRS15913	N/A	WASHER D. 4 GROVER A2 UNI1751	10,00			--
0020	VTVT00433	N/A	SCREW TE M 6X 30 UNI 5739 INX	8,00			--
0021	VTVT21887	N/A	SCREW TCB-TC 4X10 8112	11,00			--
0022	SPPV01472	N/A	BRUSH PPL D.340 APC	2,00			--
0023	MLML00350	N/A	SPRING ALUM. CONICAL DRIVER	2,00			--
0024	MEEV00036	N/A	SOLENOID VALVE HOLE 8mm CLEAN TIME	1,00			--
0025	VTRS00245	N/A	WASHER D.6 UNI 6592 INOX	8,00			--
0026	GUGO00164	N/A	GASKET	2,00			--
0027	VTVT01150	N/A	SCREW 4x10	1,00			--



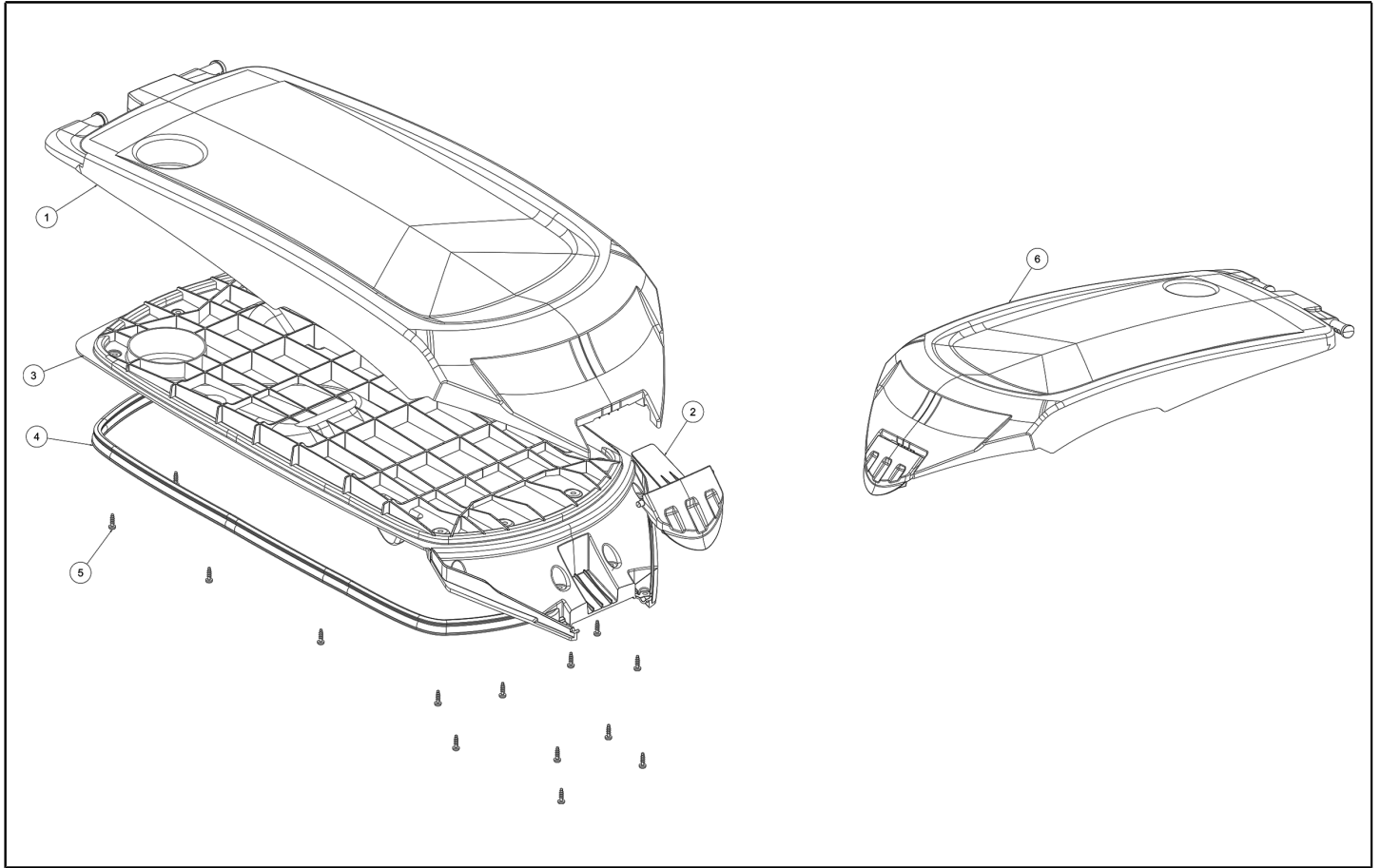
Ref. K	Part N.	Part N. 2	Description	Quantity	Validity		Price
					From	To	
0001	MPVR06466	N/A	SUPPORT VACUUM MOTOR 2 ST.CT51-71	1,00			--
0002	MPVR06480	N/A	COVERING VACUUM MOTOR CT51-71	1,00			--
0003	GUGO00496	N/A	FAIR-LEAD 14-747	1,00			--
0004	FTAC00072	N/A	FILTER VACUUM INTAKE CT51	1,00		04/07/2018	--
0005	GUGO00466	N/A	GASKET RUBBER VACUUM MOT. CT51	1,00			--
0006	MOCC00417	N/A	MOTOR VACUUM 24 2-STAGES	1,00		04/07/2018	--
0006	MEVR02377	N/A	CARBON BRUSHES FOR MOCC00401-407	1,00		04/07/2018	--
0006	MOCC00349	N/A	MOTOR VACUUM 2 STAGES 24V	1,00	05/07/2018		--
0006	MEVR05200	N/A	CARBON BRUSH VACUUM 116599-XX	1,00	05/07/2018		--
0007	ITSO00076	N/A	SOUND-PROOFING VAC. MOTOR EXTERNAL	1,00			--
0008	VTVT01427	N/A	SCREW STS KN1038 8x25 - T40 A2	4,00			--
0009	GUGO00509	N/A	GASKET VACUUM MOTOR CT51-71	1,00			--



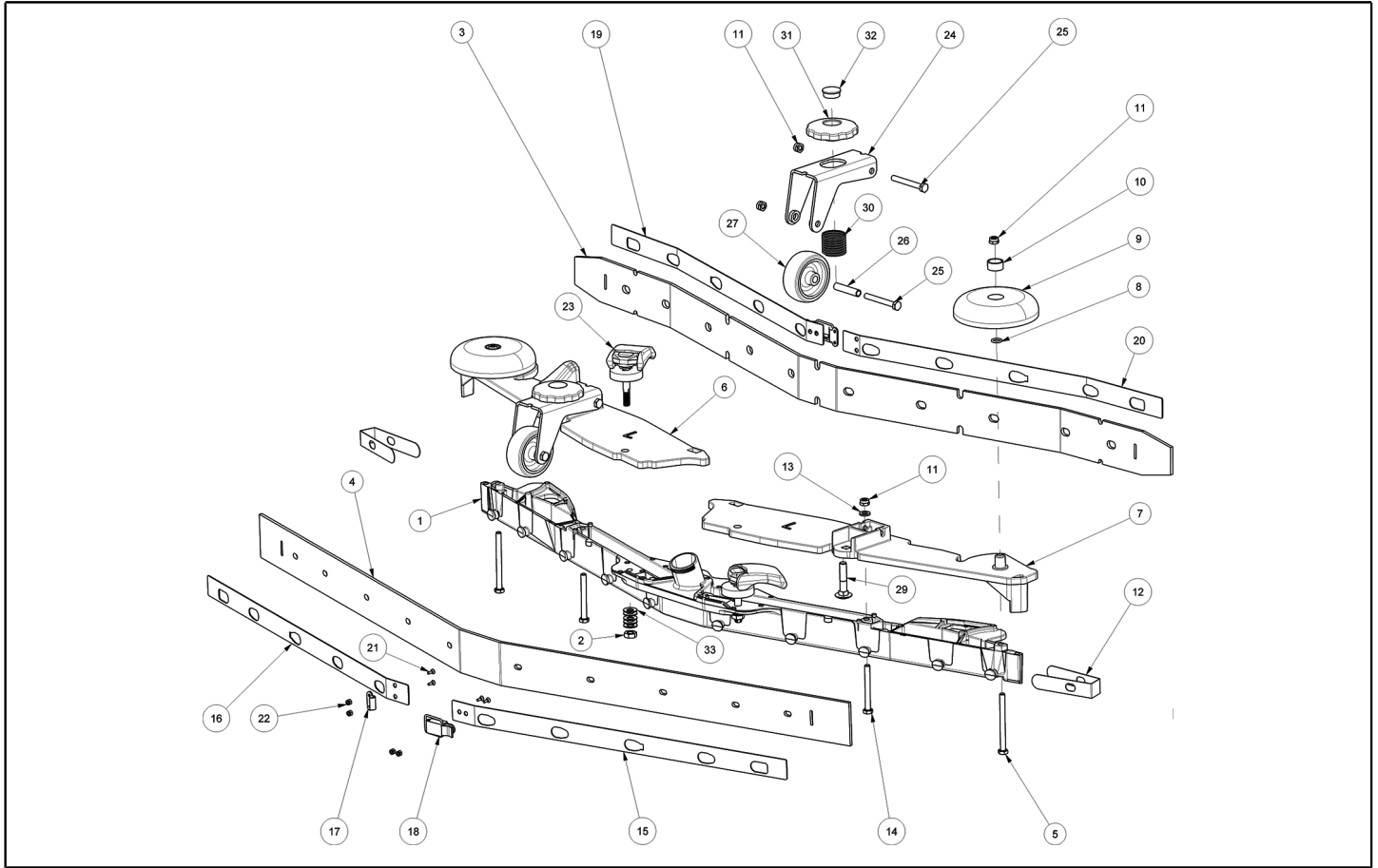
Ref. K	Part N.	Part N. 2	Description	Quantity	Validity		Price
					From	To	
0001	MPVR06525	N/A	HANDLE GRIP CT51	1,00			--
0002	MPVR06528	N/A	SUPPORT -	1,00			--
0003	MPVR07177	N/A	SUPPORT -	1,00			--
0004	MPVR06526	N/A	LEVER DIRECTION CT51-71	1,00			--
0005	MPVR10694	N/A	CAP	1,00			--
0006	MPVR10744	N/A	COVERING UPPER CT51-71	1,00			--
0007	MPVR06527	N/A	KNOB DIALER SELECTOR CT51-71	1,00			--
0008	MECE00743	N/A	BOARD KEY READER CT51-71	1,00		23/07/2018	--
0008	MECE00804	N/A	BOARD KEY READER CT51-71 BT-XP	1,00	24/07/2018		--
0009	MECI00587	N/A	SELECTOR DIALER SWITCH CT51-71	1,00			--
0010	LAFN10998	N/A	BUSHING -	4,00			--
0011	MPVR11640	N/A	COVERING CT51	1,00			--
0012	VTRS13946	N/A	WASHER D. 8 X24 INX UNI 6593	4,00			--
0013	VTVT01427	N/A	SCREW STS KN1038 8x25 - T40 A2	4,00			--
0014	MPVR11198	N/A	SPACER CT51/71	1,00			--
0015	VTVT00813	N/A	SCREW M 4X 8 TCB-TC UNI 8112	4,00			--
0016	VTRS00291	N/A	WASHER D. 5 X20 ZC UNI 6593	2,00			--
0017	MECI00588	N/A	MICROSWITCH -	2,00			--
0018	VTRS00581	N/A	WASHER D.2	4,00			--
0019	VTVT01592	N/A	SCREW TC 2X12	4,00			--
0020	VTDD00213	N/A	NUT M2	4,00			--
0021	MECB01938	N/A	WIRING CONNECTION RFID REED	1,00		23/07/2018	--
0021	MECB02058	N/A	WIRING CONNECTION REED CT51-71	1,00	24/07/2018		--
0022	VTVT01694	N/A	SCREW SELF TAPPING 4.8X9.5 SUS	5,00			--
0023	MECE00745	N/A	BOARD DISPLAY CT51 BT-XP	1,00		23/07/2018	--
0023	MECE00810	N/A	BOARD DISPLAY CT51-71 BT-XP	1,00	24/07/2018		--
0024	MEVR02389	N/A	POTENTIOMETER WIG-WAG 45° CT51	1,00			--
0025	VTVT37012	N/A	SCREW M 4X 10 TCB-TC INX	2,00			--
0026	VTVT01071	N/A	SCREW STS KN1031-Neu 4x16 - H2	8,00			--
0027	MPVR10772	N/A	GASKET	1,00			--
0028	VTRS15913	N/A	WASHER D. 4 GROVER A2 UNI1751	2,00			--
0029	LAFN35588	N/A	BATTERY SUPPORT LAVAP. BT SL17162-1	1,00			--
0030	MEVR01079	N/A	PLUG M CB50 A 600V RD.	1,00			--
0031	VTRS00516	N/A	WASHER D. 5 INX	4,00			--
0032	MEVR34820	N/A	WIRING BATTERY BRIDGE W/TERMINAL	1,00			--
0033	VTVT01440	N/A	SCREW	4,00			--
0034	MEVR02391	N/A	KEY COMPLETE WITH RFID	2,00		10/10/2022	--
0034	MEVR02390	N/A	KEY ELECTRONIC CT51-71 B	2,00	11/10/2022		--
0035	MECE00786	N/A	BOARD TRACTION CT51-71 COMPLETE	1,00			--
0036	MECB01919	N/A	WIRING MAIN HARNESS CT51	1,00			--
0037	LAFN11075	N/A	BRACKET -	1,00			--
0038	VTRS00515	N/A	WASHER D. 4 INX	4,00			--
0039	METT00085	N/A	CONTACTOR 100A	1,00			--
0040	VTVT01070	N/A	SCREW TSTC M3X8	2,00			--



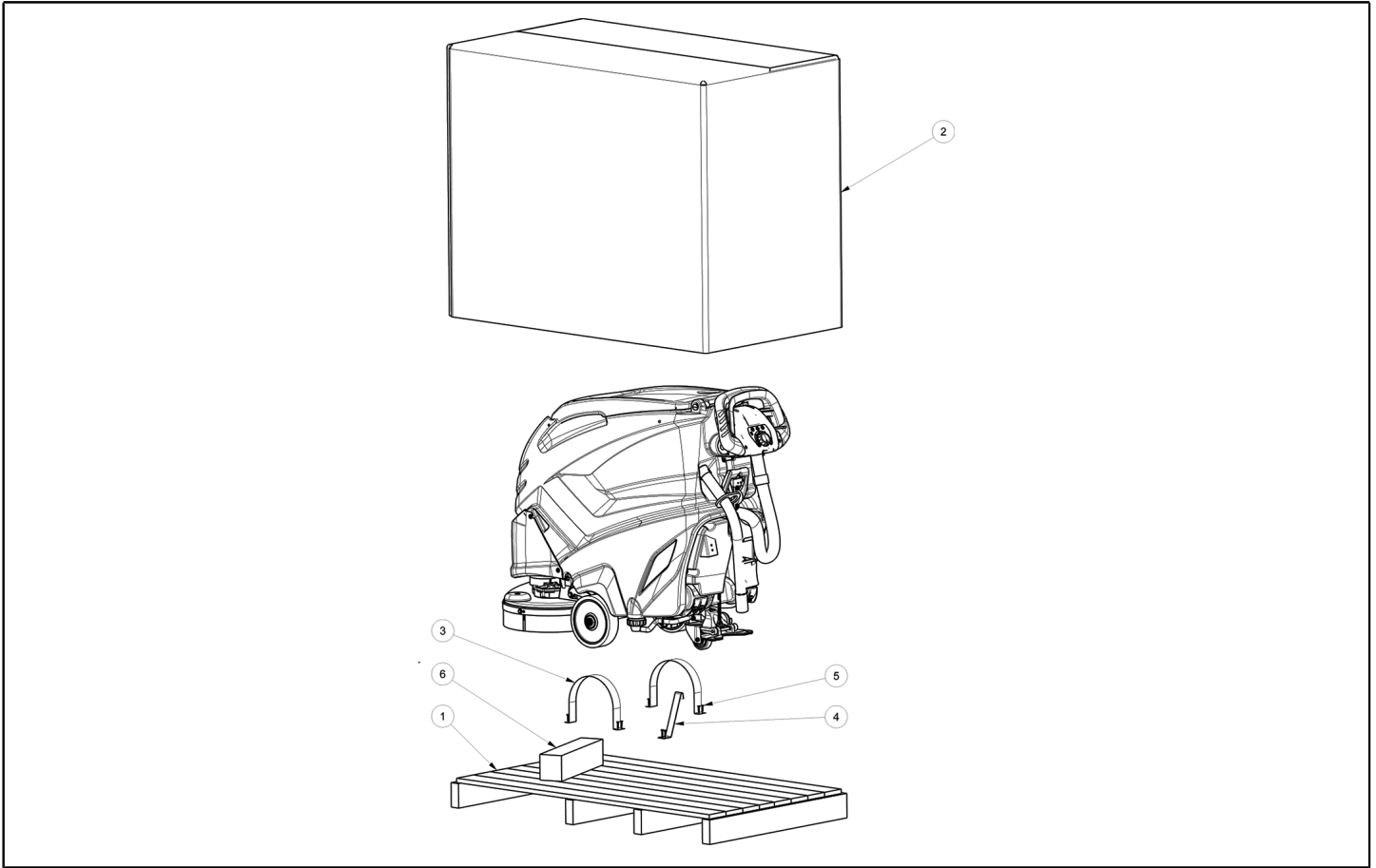
Ref. K	Part N.	Part N. 2	Description	Quantity	Validity		Price
					From	To	
0041	MECI00626	N/A	SENSOR SQUEEGEE POSIT. CT51	1,00			--
0042	MEVR02381	N/A	MAGNET SQUEEGEE LEVER CT51	1,00			--
0043	VTVT17357	N/A	SCREW TSP-TC 3.9X16 UNI6955	1,00			--
0044	MPVR06467	N/A	COVER BATTERY CHARGER CT51-71	1,00			--
0045	VTRS00017	N/A	WASHER STEEL INOX 4X12	2,00			--
0046	VTVT00021	N/A	SCREW TE UNI 5739 3X25 ZB	2,00			--
0047	VTVT00522	N/A	SCREW TCB-TC 2.9X 9.5 UNI6954	1,00			--
0048	VTDD00210	N/A	NUT M 3 AUTOBL.DIN 985 IX.A2	4,00			--
0049	VTVT01072	N/A	SCREW STS KN1038 5x16 - T20 A2	4,00			--
0050	MPVR10701	N/A	RUBBER KEY HOLD CT51	1,00			--
0051	VTVT48694	N/A	SCREW TCB TC 5 X12 UNI 9707 TZ	2,00			--
0052	MEVR02097	N/A	SD-CARD -	1,00			--
0053	MECB01981	N/A	WIRING BRIDGE CT51 W/O CHARGER	1,00			--
0054	MPVR11496	N/A	CORD -	1,00			--
0055	MECB02017	N/A	WIRING	1,00			--
0056	VTDD01693	N/A	NUT M 5 INX	8,00			--
0057	VTRS00570	N/A	WASHER -	5,00			--
0058	VTVT01669	N/A	SCREW M4x6 UNI5739 znt cl.4.8	2,00			--
0059	MEVR02907	N/A	FUSE-HOLDER -	1,00			--
0060	MEVR00604	N/A	FUSE STRIP 80A	1,00			--
0061	VTVT00814	N/A	SCREW TE M.4-25	1,00	07/06/2021		--
0062	MPVR13118	N/A	SPACER 4.2X8mm H=12mm	1,00	07/06/2021		--
0063	MECE00877	N/A	BOARD	1,00	07/06/2021		--
0064	VTDD00055	N/A	NUT M 4 ATB A2	1,00	07/06/2021		--
0065	MEVR02659	N/A	SHEATH	1,00	07/06/2021		--
0066	FSVR00049	N/A	CLAMP 4,5x200 black	2,00	07/06/2021		--
0067	ETET17157	N/A	LABEL .	1,00	07/06/2021		--



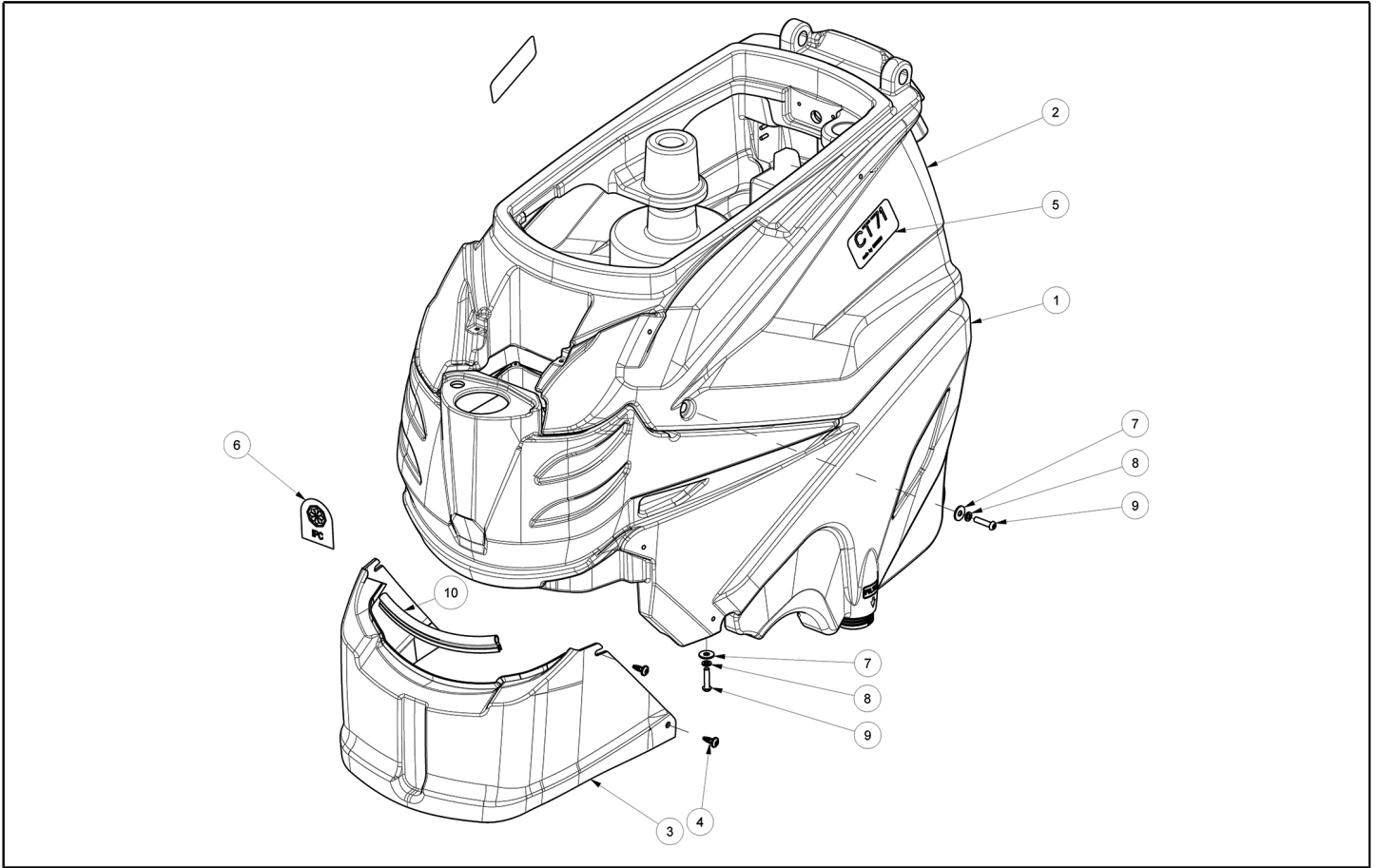
Ref. K	Part N.	Part N. 2	Description	Quantity	Validity		Price
					From	To	
0001	MPVR06476	N/A	COVER RECOVERY TANK EXTERNAL	1,00			--
0002	MPVR06477	N/A	LEVER CLOSURE LID CT51	1,00			--
0003	MPVR10696	N/A	COVER RECOVERY TANK INTERNAL	1,00			--
0004	GUVR01019	N/A	GASKET RECOVERY TANK LID CT51-71	1,00			--
0005	VTVT01072	N/A	SCREW STS KN1038 5x16 - T20 A2	17,00			--
0006	KTRI05239	N/A	KIT COVER RECOVERY TANK	1,00			--



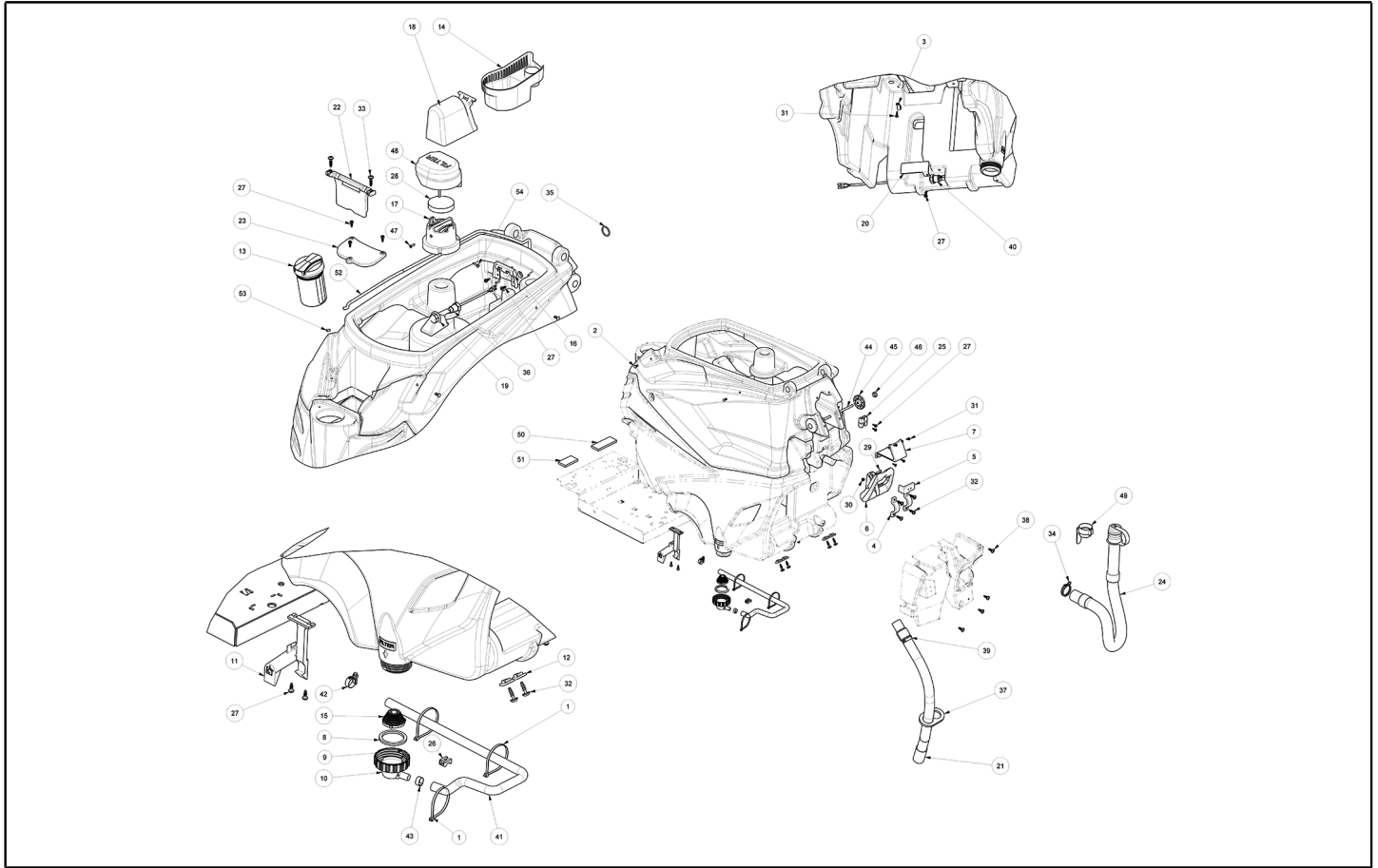
Ref. K	Part N.	Part N. 2	Description	Quantity	Validity		Price
					From	To	
0001	MFVR00318	N/A	BODY -	1,00			--
0002	VTDD00530	N/A	NUT M8 UNI 5589	2,00			--
0003	MPVR08040	N/A	BLADE L LATEX	1,00			--
0004	MPVR08036	N/A	BLADE L LATEX	1,00			--
0005	VTVT00699	N/A	SCREW TE M. 6-70	2,00			--
0006	MPVR06493	N/A	PLATE PROTECTION SQUEEGEE L LH	1,00			--
0007	MPVR06494	N/A	PLATE PROTECTION SQUEEGEE L RH	1,00			--
0008	GUGO00164	N/A	GASKET	2,00			--
0009	MPVR05290	N/A	ROLLER SIDE BUMPER WHEEL	2,00			--
0010	MPVR49229	N/A	BUSHING SHK	2,00			--
0011	VTDD01694	N/A	NUT M6 INOX	8,00			--
0012	MPVR05898	N/A	CLOSURE L	2,00			--
0013	VTRS00245	N/A	WASHER D.6 UNI 6592 INOX	2,00			--
0014	VTVT00655	N/A	SCREW TE M. 6-55	2,00			--
0015	LAFN09286	N/A	SHEET METAL PA. -	1,00			--
0016	LAFN09287	N/A	SHEET METAL PA. -	1,00			--
0017	LAFN09301	N/A	SOCKET -	2,00			--
0018	LAFN09302	N/A	CLOSURE -	2,00			--
0019	LAFN09285	N/A	BLADE RETAINER FRONT L.H.S. L	1,00			--
0020	LAFN09284	N/A	SHEET METAL PA. -	1,00			--
0021	VTVT01070	N/A	SCREW TSTC M3X8	8,00			--
0022	VTDD00210	N/A	NUT M 3 AUTOBL.DIN 985 IX.A2	8,00			--
0023	PMVR06995	N/A	HOOKING SQUEEGEE CT51-71	2,00			--
0024	LAFN09471	N/A	SUPPORT CASTOR WHEEL NEW	2,00			--
0025	VTVT15515	N/A	SCREW TE M 6X 50 INOX A2	4,00			--
0026	LAFN07534	N/A	SPACER 6x8 h37,5	2,00			--
0027	RTRT00398	N/A	WHEEL d.60 HOLE 8	2,00			--
0028	VTRS00383	N/A	WASHER -	4,00			--
0029	VTVT01304	N/A	SCREW M 8X 40 TTQST UNI 5731	2,00			--
0030	MLML00473	N/A	SPRING -	2,00			--
0031	KTRI05357	N/A	HANDLE ADJUSTMENT KNOB KIT T291-	2,00			--
0032	KTRI05357	N/A	HANDLE ADJUSTMENT KNOB KIT T291-	2,00			--
0033	MLML00493	N/A	DISC SPRINGS 16x8,2x0,9 DIN 2093	10,00	14/12/2017		--



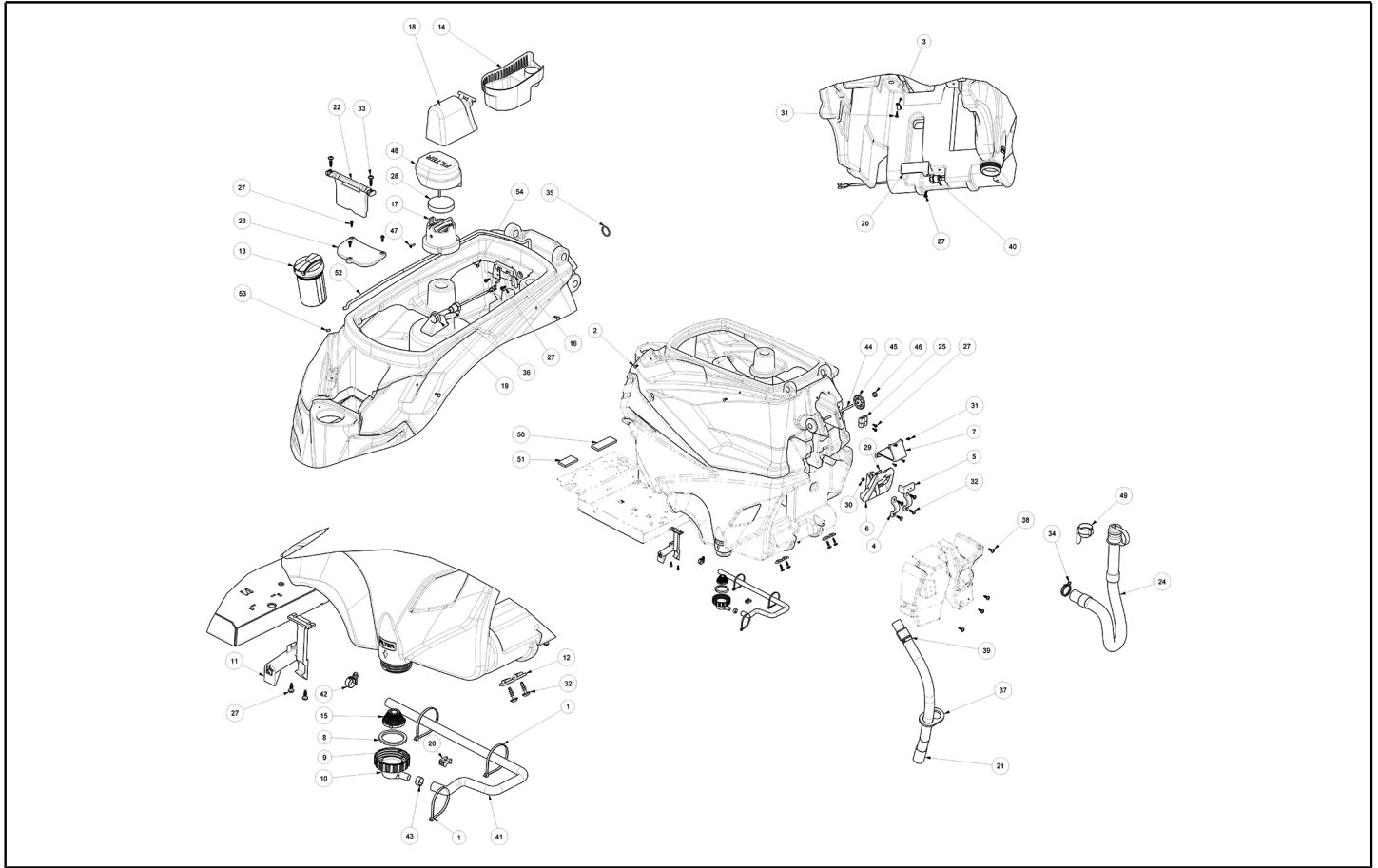
Ref. K	Part N.	Part N. 2	Description	Quantity	Validity		Price
					From	To	
0001	MIBA00151	N/A	PALLET	1,00			--
0002	MICT00704	N/A	CARTON	1,00			--
0003	MIVR00135	N/A	CLAMP RUOTA POSTERIORE X IMBAL.	2,00			--
0004	MIVR00269	N/A	BRACKET	1,00			--
0005	VTVT00043	N/A	SCREW AUTOF.LEGNO 4,5X25 TS BR	10,00			--
0006	MIVR00055	N/A	BODY SIDE INF. IN POLIST.400X100X90	1,00			--



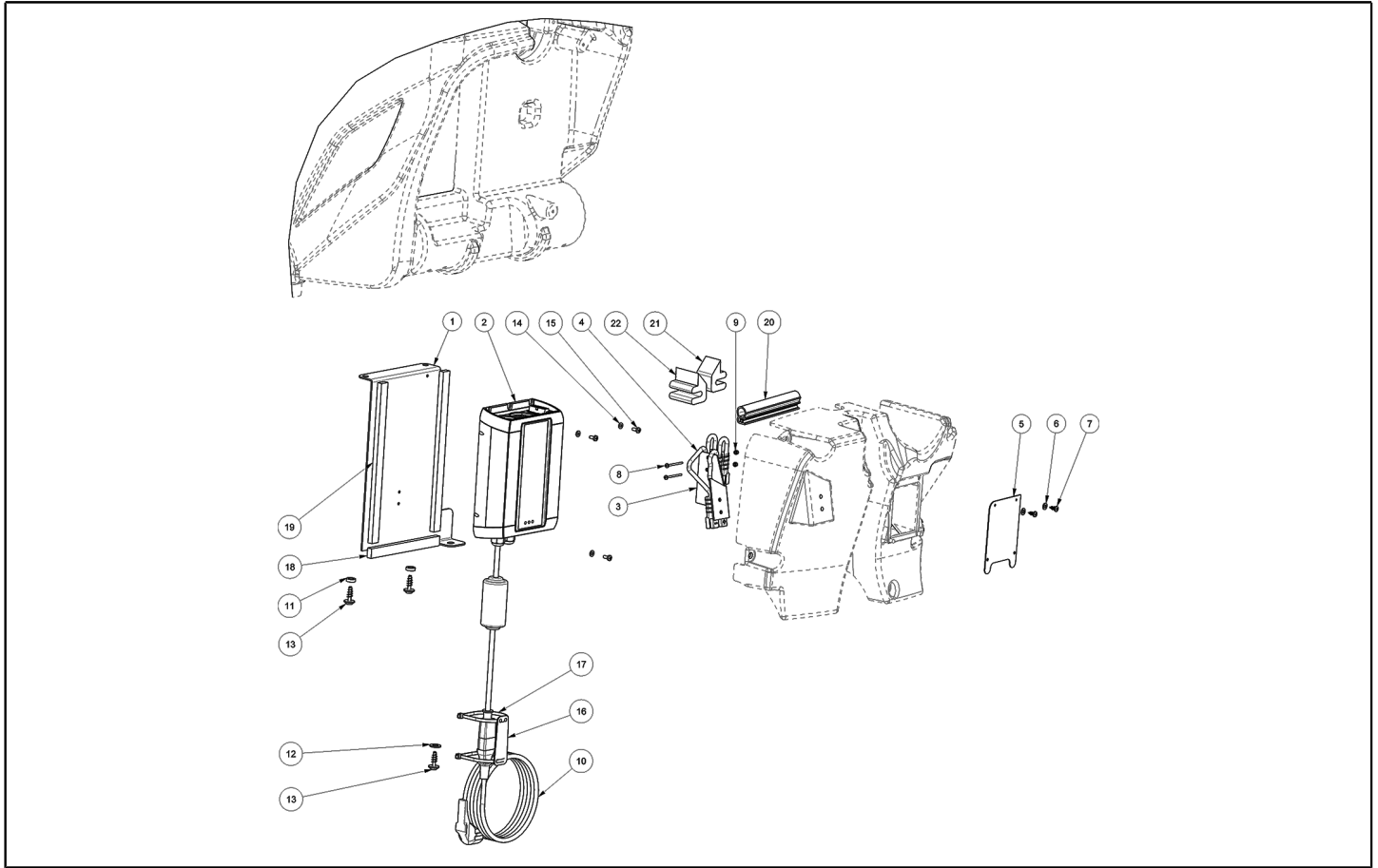
Ref. K	Part N.	Part N. 2	Description	Quantity	Validity		Price
					From	To	
0001	MPVR10766	N/A	TANK SOLUTION CT71 RAL7024	1,00			--
0002	MPVR10767	N/A	TANK RECOVERY CT71 GREEN P368C	1,00			--
0003	MPVR06472	N/A	COVERING BRUSH MOTORS CT51-71 DISC	1,00			--
0004	VTVT01430	N/A	SCREW STS KN1038 8x22 - T40 A2	4,00			--
0005	ETET20211	N/A	LABEL CT71	2,00			--
0006	ETET20091	N/A	LABEL -	1,00			--
0007	VTRS13946	N/A	WASHER D. 8 X24 INX UNI 6593	4,00			--
0008	VTRS15146	N/A	WASHER GROVER A2 UNI1751	4,00			--
0009	VTVT01378	N/A	SCREW TBEI M8X35	4,00			--
0010	GUVR00160	N/A	GASKET RUBBERIZED	0,24			--



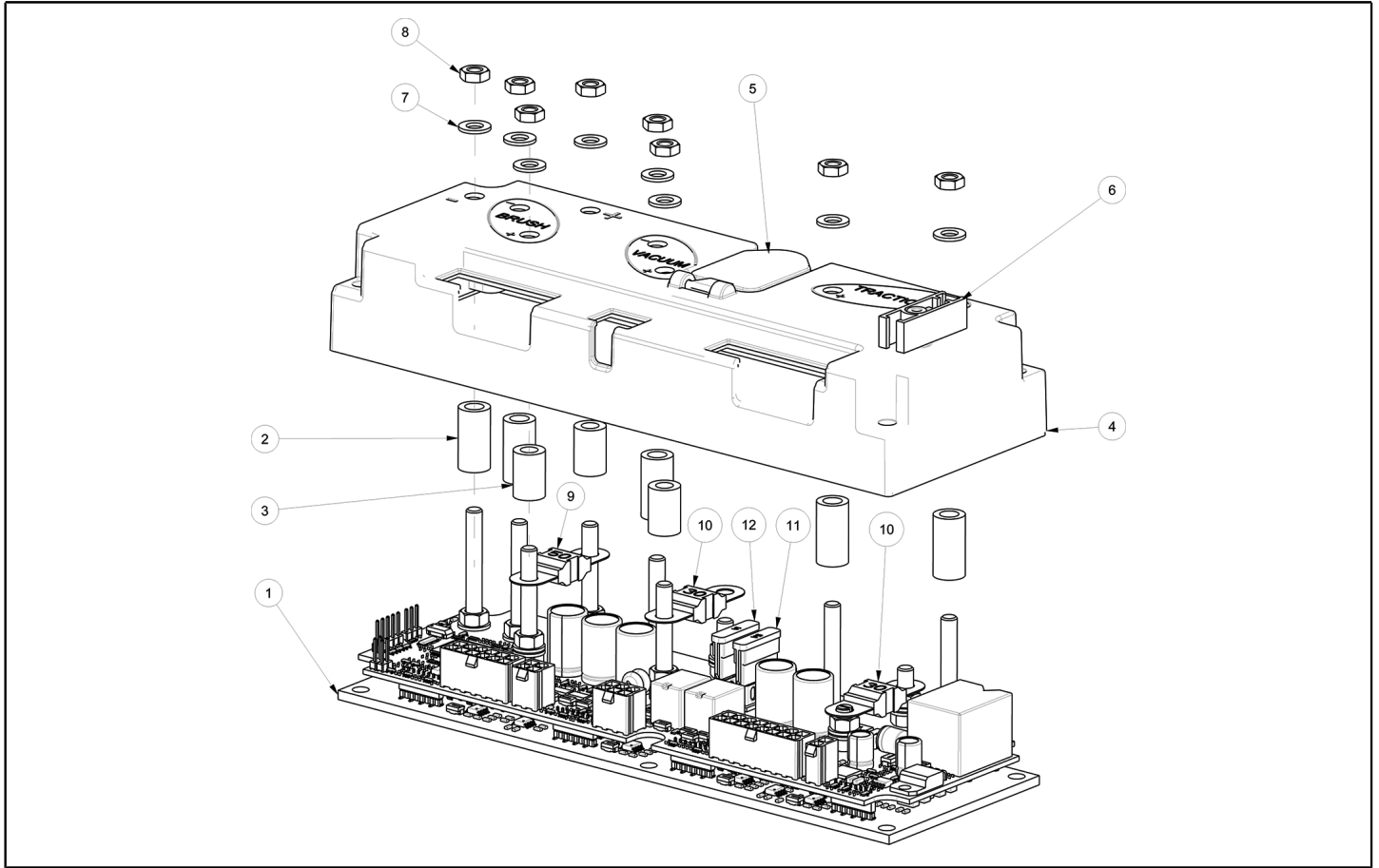
Ref. K	Part N.	Part N. 2	Description	Quantity	Validity		Price
					From	To	
0001	FSVR00049	N/A	CLAMP 4,5x200 black	3,00			--
0002	MPVR11355	N/A	CLIP	2,00			--
0003	MPVR02933	N/A	DUCT LOCK D.9,5	1,00			--
0004	MPVR06470	N/A	PLATE -	1,00			--
0005	MPVR10564	N/A	SUPPORT -	1,00			--
0006	MPVR06469	N/A	HANDLE SQUEEGEE LIFTING CT51-71	1,00			--
0007	MPVR10571	N/A	FLANGE -	1,00			--
0008	GUGO00478	N/A	GASKET SOLUTION FILTER CT51	1,00			--
0009	MPVR06561	N/A	CAP SOLUTION TANK CT51-71	1,00			--
0010	MPVR10566	N/A	HOSE FITTING SOLUTION FILTER CT51	1,00			--
0011	MPVR06475	N/A	LEVER TANK LOCKING CT51	1,00			--
0012	MPVR10562	N/A	SLIDE -	4,00			--
0013	MPVR11497	N/A	CAP SOLUTION TANK	1,00			--
0014	MPVR06490	N/A	FILTER DEBRIS COLLECTOR	1,00			--
0015	MPVR10565	N/A	FILTER SOLUTION TANK CT51-71	1,00			--
0016	MPVR10576	N/A	SUPPORT -	1,00			--
0017	MPVR11676	N/A	SUPPORT FILTER CT51-71	1,00			--
0018	MPVR06560	N/A	PROTECTION	1,00			--
0019	MPVR11766	N/A	THICKNESS 110X40X8,5	1,00			--
0020	LAFN11043	N/A	BRACKET -	1,00			--
0021	TBFX00353	N/A	TUBE SUCTION CT40-51-55-70-90	1,00			--
0022	MPVR10731	N/A	SUPPORT -	1,00			--
0023	MPVR10732	N/A	COVERING HOUSING CHEM TANK	1,00			--
0024	TBFX01069	N/A	TUBE DRAIN RECOVERY TANK CT51-	1,00			--
0025	MPVR11684	N/A	JOINT TUBO	1,00			--
0026	MPVR10765	N/A	SUPPORT FOR CLAMP	1,00			--
0027	VTVT01073	N/A	SCREW STS KN1039 6x16 - T25 A2	10,00			--
0028	FTDP00678	N/A	FILTER VACUUM MOTOR CT51	1,00			--
0029	VTVT01714	N/A	SCREW TBEI 6X30	1,00			--
0030	VTDD01694	N/A	NUT M6 INOX	1,00			--
0031	VTVT01072	N/A	SCREW STS KN1038 5x16 - T20 A2	5,00			--
0032	VTVT01427	N/A	SCREW STS KN1038 8x25 - T40 A2	8,00			--
0033	VTVT01429	N/A	SCREW STS KN1038 8x30 - T40 A2	2,00			--
0034	FSVR00262	N/A	CLAMP	1,00			--
0035	MPVR11767	N/A	THICKNESS 75X40X8,5	1,00			--
0036	MECI00662	N/A	SENSOR LEVEL	1,00	21/06/2018		--
0037	MPVR04659	N/A	FLANGE	1,00			--
0038	VTVT01430	N/A	SCREW STS KN1038 8x22 - T40 A2	4,00			--
0039	MPVR06119	N/A	CLAMP INDICATION , YELLOW	1,00			--
0040	MECI00592	N/A	SENSOR SOLUTION TANK CT51-71	1,00			--
0041	TBFX48011	N/A	HOSE FLEX D.12X3 ARMORV.PVC TR	1,00			--
0042	FSVR00428	N/A	CLAMP D. 12-20 IX	1,00			--
0043	FSVR00261	N/A	CLAMP	1,00			--
0044	VTVR01001	N/A	BAR	1,00			--



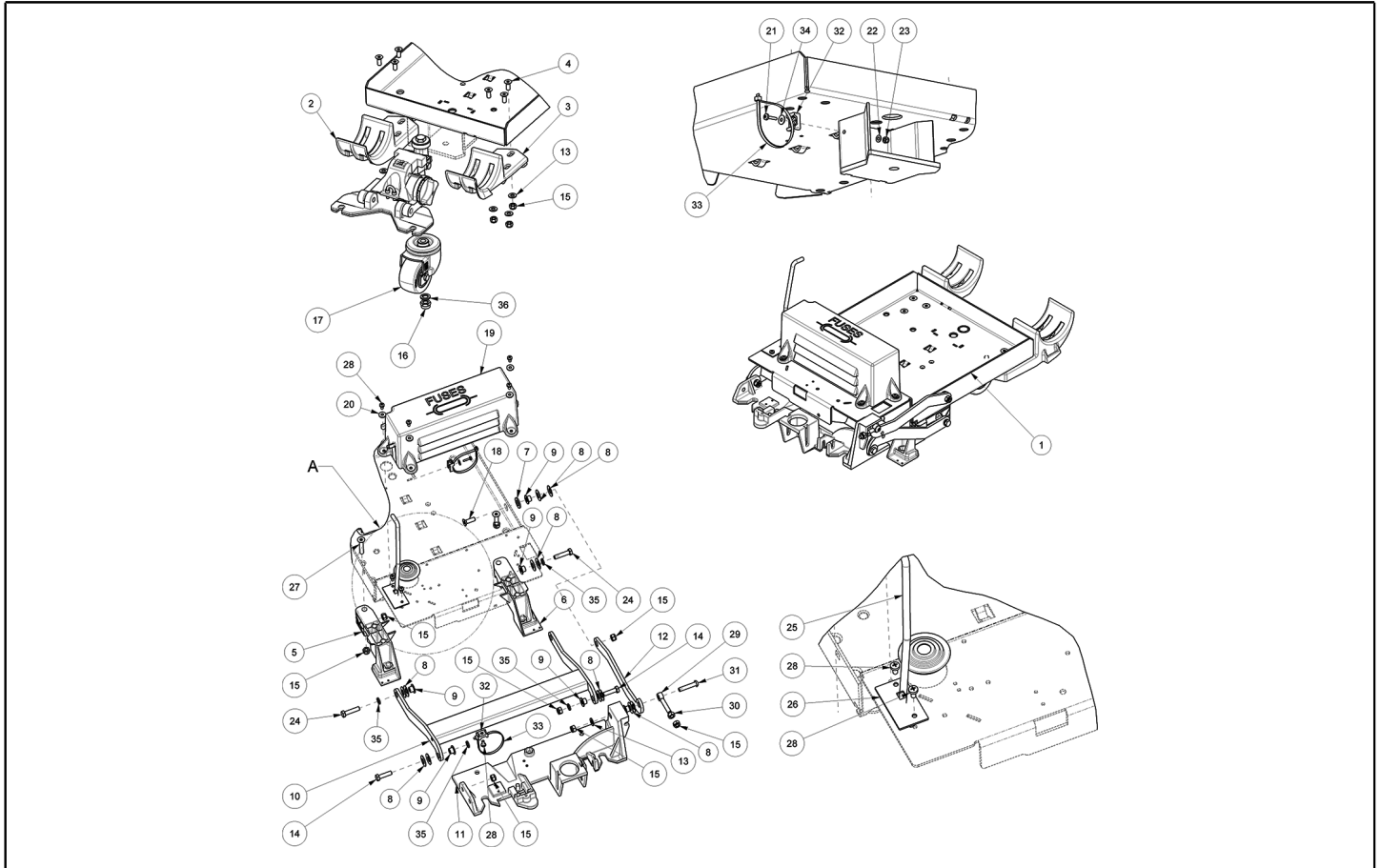
Ref. K	Part N.	Part N. 2	Description	Quantity	Validity		Price
					From	To	
0045	MPVR06478	N/A	SMALL KNOB WHEEL ADJUSTMENT	2,00			--
0046	MPVR06479	N/A	CAP POMELLO	2,00			--
0047	VTVT00835	N/A	SCREW 4.5-20 DIN 7505-A INOX	1,00			--
0048	MPVR11641	N/A	COVERING FILTER CT51	1,00			--
0049	MPVR01097	N/A	HOOK DRAIN HOSE	1,00			--
0050	TBBP00476	N/A	HOSE TRANSPARENT i.d.5-e.d.8mm	1,05			--
0051	VTVR00206	N/A		1,00			--
0052	VTVT01372	N/A	SCREW 4,8X25	1,00			--



Ref. K	Part N.	Part N. 2	Description	Quantity	Validity		Price
					From	To	
0001	LAFN08235	N/A	PLATE -	1,00			--
0002	BACA00190	N/A	BATTERY-CHARGER CBHD1-XR 24-13	1,00			--
0003	LAFN11046	N/A	BRACKET -	1,00			--
0004	MECB01964	N/A	WIRING CONNECTION CHARGER/BATT.	1,00			--
0005	MPVR10745	N/A	PROTECTION TRANSPARENT POWER CORD	1,00			--
0006	VTRS00516	N/A	WASHER D. 5 INX	2,00			--
0007	VTVT48694	N/A	SCREW TCB TC 5 X12 UNI 9707 TZ	2,00			--
0008	VTVT00691	N/A		2,00			--
0009	VTDD00210	N/A	NUT M 3 AUTOBL.DIN 985 IX.A2	2,00			--
0010	MECB00922	N/A	EXTENSION 3x0,75 SHUKO PLUG	1,00			--
0011	VTRS00383	N/A	WASHER -	2,00			--
0012	VTRS13947	N/A	WASHER D. 8 INX UNI 6592	1,00			--
0013	VTVT01430	N/A	SCREW STS KN1038 8x22 - T40 A2	3,00			--
0014	VTRS00515	N/A	WASHER D. 4 INX	3,00			--
0015	VTVT21887	N/A	SCREW TCB-TC 4X10 8112	3,00			--
0016	MPVR11197	N/A	PLATE POWER CORD HOLDER	1,00			--
0017	FSVR00049	N/A	CLAMP 4.5x200 black	2,00			--
0018	GUGO00589	N/A	GASKET CT51	1,00			--
0019	GUGO00590	N/A	GASKET CT51	2,00			--
0020	GUVR00624	N/A	GASKET L=0,12MT	1,00			--
0021	GUGO00110	N/A	GASKET COPERCHIO SERBATOIO	0,03	24/05/2022		--
0022	GUGO00110	N/A	GASKET COPERCHIO SERBATOIO	0,04	24/05/2022		--



Ref. K	Part N.	Part N. 2	Description	Quantity	Validity		Price
					From	To	
0001	MECE00785	N/A	BOARD TRACTION CT51-71	1,00		18/03/2020	--
0001	MECE00812	N/A	BOARD TRACTION CT51-71 RULLI	1,00	19/03/2020		--
0002	MPVR06501	N/A	SPACER	5,00			--
0003	LAFN01298	N/A	SPACER PLASTIC 10X5,5X15	3,00			--
0004	MPVR11447	N/A	COVERING ELECTRONIC BOARD CT51BT	1,00			--
0005	MPVR11448	N/A	COVER PLASTIC FUSE BOX CT51	1,00			--
0006	MEVR01153	N/A	FUSE EXTRACTOR	1,00			--
0007	VTRS00516	N/A	WASHER D. 5 INX	8,00			--
0008	VTDD00209	N/A	NUT M5 LOW UNI5589	8,00			--
0009	MEVR02105	N/A	FUSE 50A OMEGA FT3050	1,00			--
0010	MEVR02104	N/A	FUSE 30A OMEGA FT3030	2,00			--
0011	MEVR00565	N/A	FUSE 5A	1,00			--
0012	MEVR00563	N/A	FUSE 1A	1,00			--



Ref. K	Part N.	Part N. 2	Description	Quantity	Validity		Price
					From	To	
0001	LAFN09477	N/A	FRAME CT50/70	1,00			--
0002	MFVR00286	N/A	SUPPORT -	1,00			--
0003	MFVR00287	N/A	SUPPORT -	1,00			--
0004	VTVT01352	N/A	SCREW TSPEI M8X20	6,00			--
0005	MFVR00283	N/A	SUPPORT -	1,00			--
0006	MFVR00284	N/A	SUPPORT -	1,00			--
0007	VTRS15978	N/A	WASHER D. 12X24 UNI 6592 INX	1,00			--
0008	MLML00095	N/A	DISC SPRINGS 12,2x25x0,9 DIN 2093	12,00			--
0009	LAFN10998	N/A	BUSHING -	6,00			--
0010	LAFN09420	N/A	ARM -	1,00			--
0011	MFVR00240	N/A	BRACKET BRUSH HEAD SUPPORT CT51	1,00			--
0012	LAFN09421	N/A	LEVER -	1,00			--
0013	VTRS13947	N/A	WASHER D. 8 INX UNI 6592	7,00			--
0014	VTVT00140	N/A	SCREW TE M8x30	2,00			--
0015	VTDD01701	N/A	NUT M8 INOX+ZIN.	15,00			--
0016	VTDD00176	N/A	NUT M.12 INOX A2 BASSO AUTOB.	1,00			--
0017	RTRT00518	N/A	WHEEL CASTOR D.80X30	1,00			--
0018	VTVT00781	N/A	SCREW TSPEI M.8-25	1,00			--
0019	MPVR06505	N/A	COVERING ELECTRONIC BOX CT51	1,00			--
0020	VTRS13750	N/A	WASHER D. 5X14 INX	4,00			--
0021	VTVT01366	N/A	SCREW M4X16	1,00			--
0022	VTRS00515	N/A	WASHER D. 4 INX	1,00			--
0023	VTDD00055	N/A	NUT M 4 ATB A2	1,00			--
0024	VTVT00017	N/A	SCREW TE UNI 5739 8X35 ZB	2,00			--
0025	LAFN11014	N/A	PIN -	1,00			--
0026	LAFN11077	N/A	PLATE -	1,00			--
0027	VTVT01322	N/A	SCREW TSPEI 8X45 UNI5933 INX	2,00			--
0028	VTVT01297	N/A	SCREW M 5X10 TCB	7,00			--
0029	VTVR00335	N/A	TIE ROD -	1,00			--
0030	VTDD15521	N/A	NUT M 8 INX A2 UNI 5588	1,00			--
0031	VTVT01431	N/A	SCREW M8X40	1,00			--
0032	MPVR10765	N/A	SUPPORT FOR CLAMP	2,00			--
0033	FSVR00049	N/A	CLAMP 4,5x200 black	2,00			--
0034	VTRS00017	N/A	WASHER STEEL INOX 4X12	1,00			--
0035	VTRS15146	N/A	WASHER GROVER A2 UNI1751	4,00			--
0036	VTRS15919	N/A	WASHER D.12 GROVER UNI 1751 INX	1,00			--