

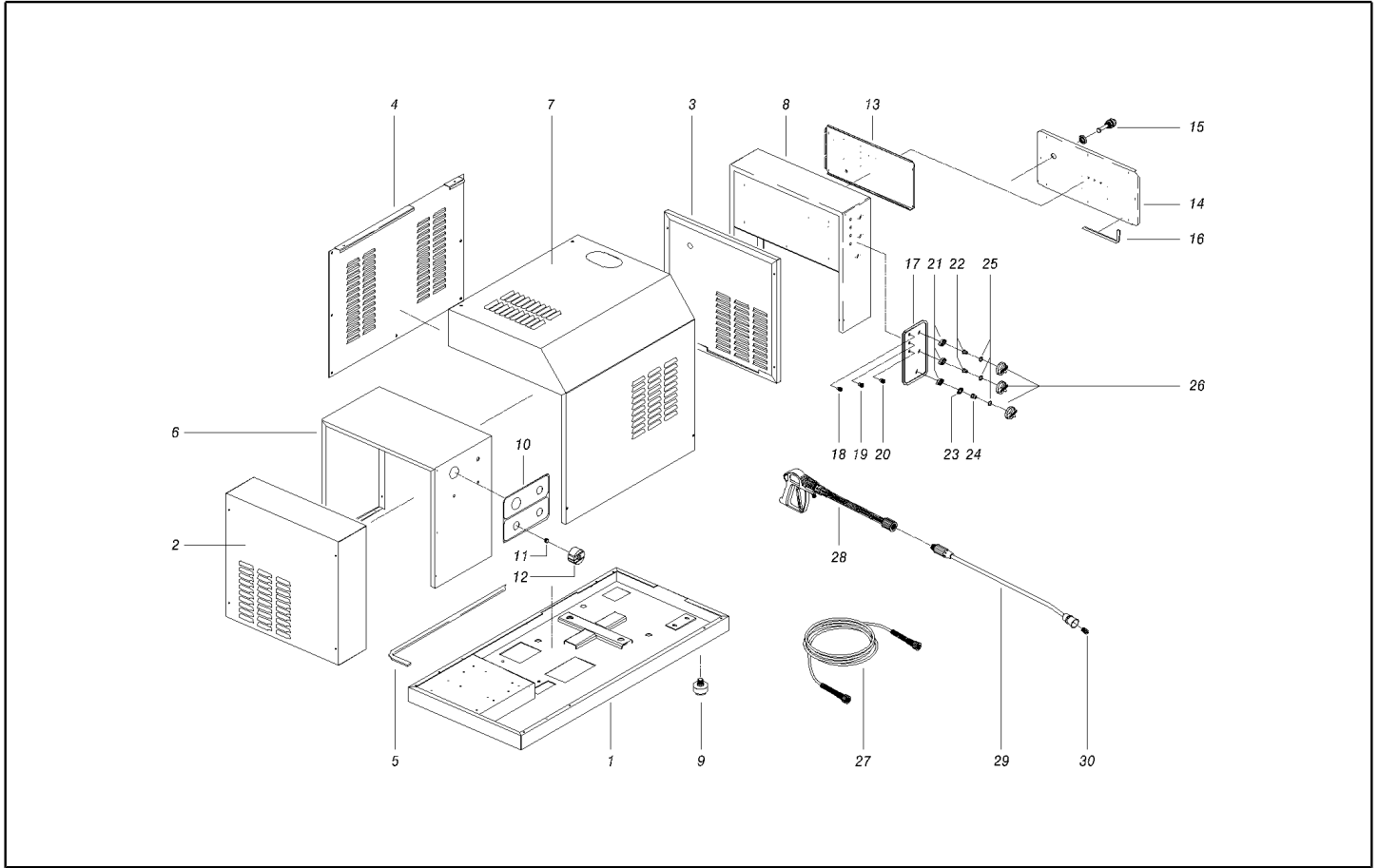


**IPC**

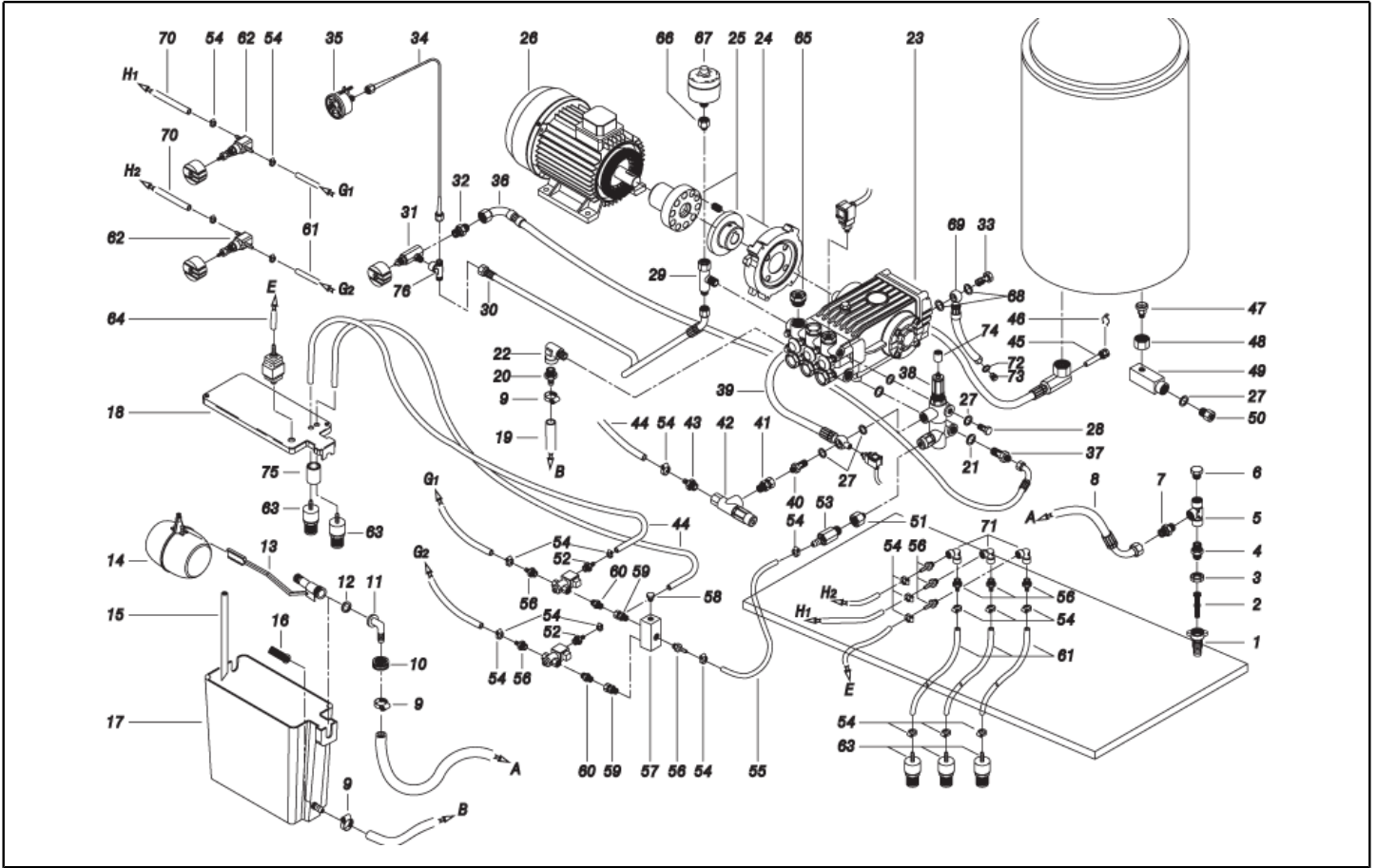
**Spare parts list**

Ref: IDAC40099

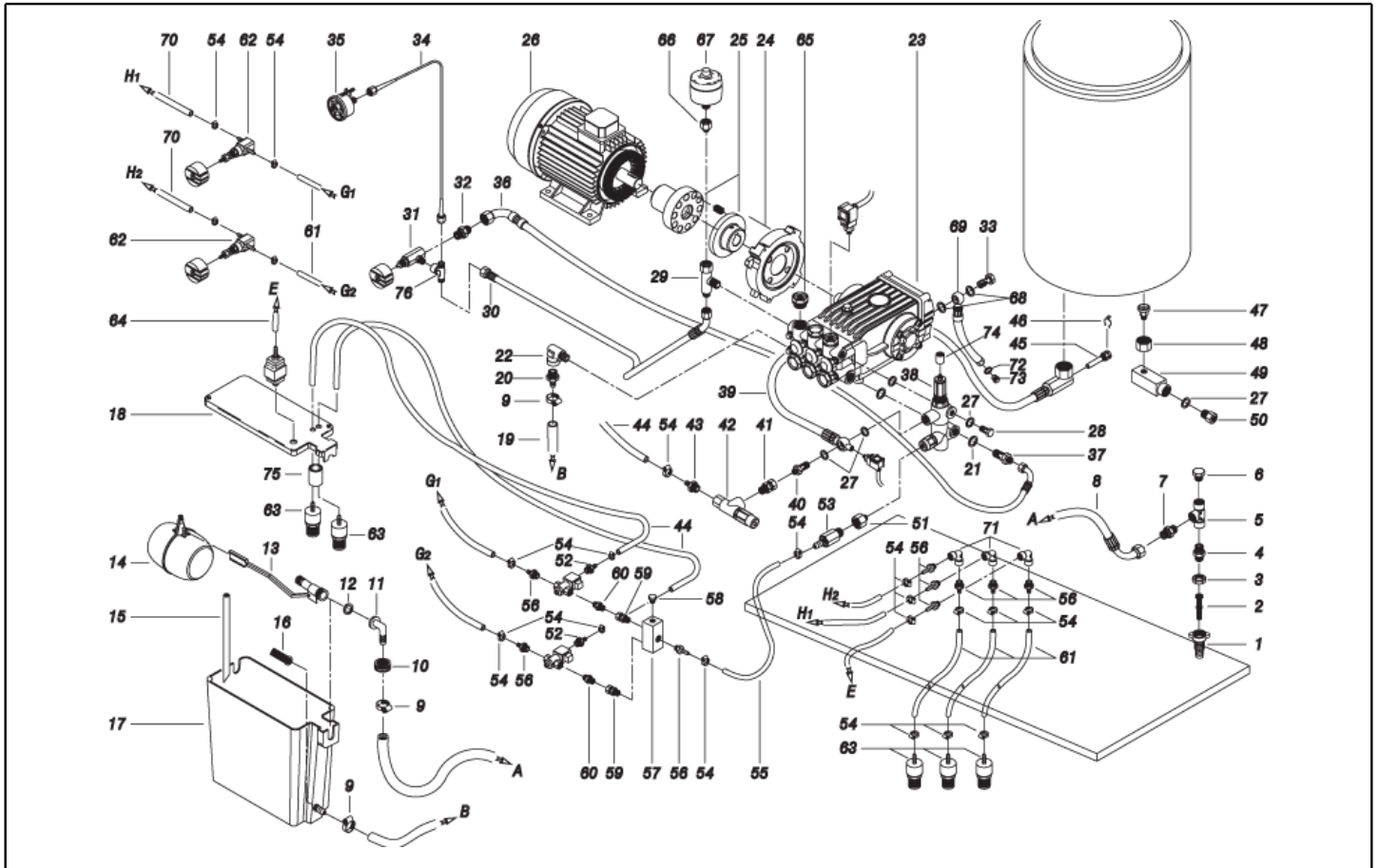
Model: H.P. CLEANER IWD DS 2021 T 440/60 P60



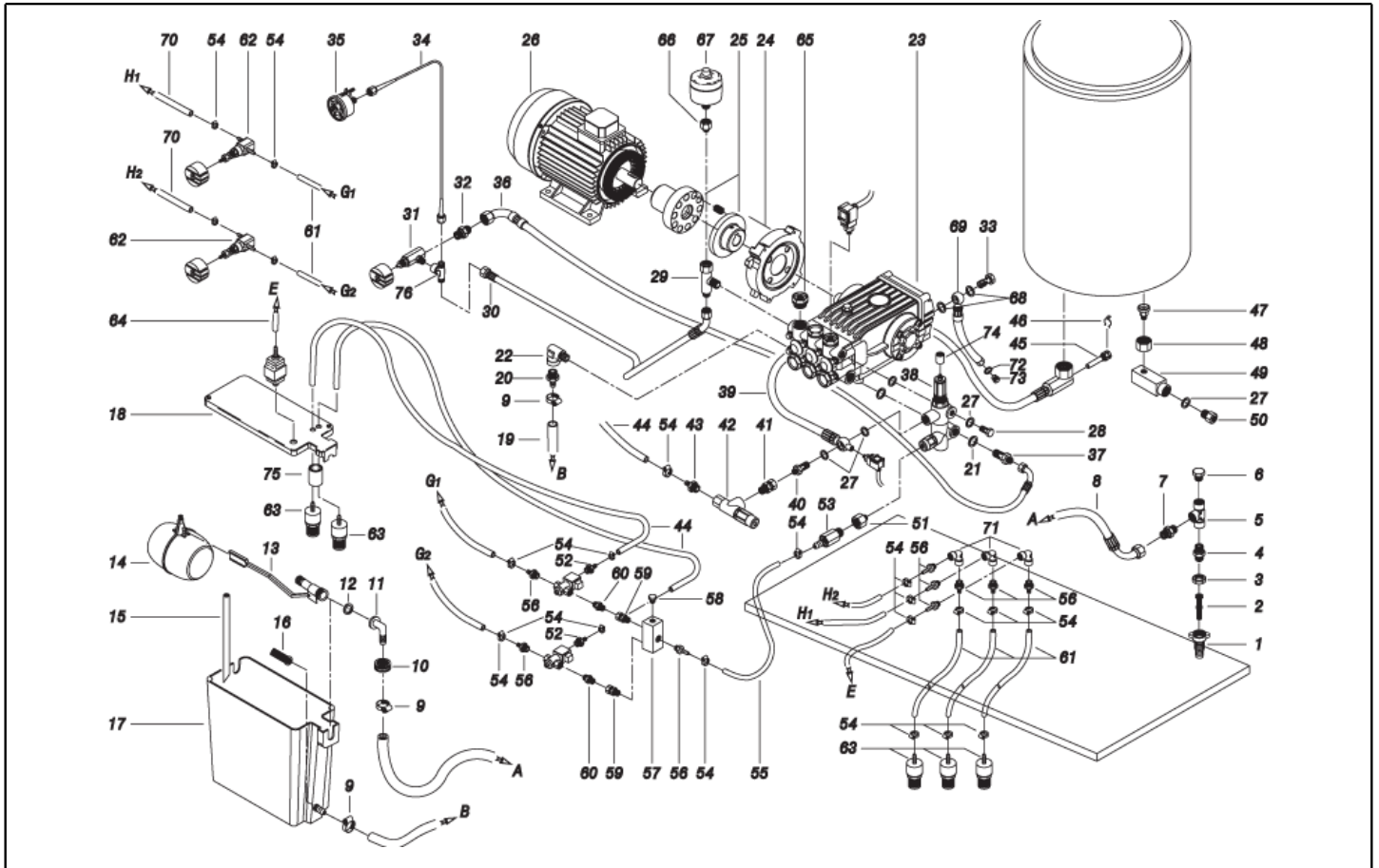
Ref. K	Part n.	Customer part n.	Description	Quantity	Validity		Price
					From	To	
0001	LAFN48178	00048178	BASE IDROWAND D/2	1,00			--
0002	LAFN48166	00048166	LAT. PANEL IWD/2 SX L.140 INX	1,00			--
0003	LAFN48165	00048165	LAT. PANEL IWD/2 DX-SX L.20 INX	1,00			--
0004	LAFN48162	00048162	BACK PANEL IWD/2 INX	1,00			--
0005	GUVR00408	00000408	EDGE H=14	0,55			--
0006	LAFN48171	00048171	BAND IWD/2 LT.SX INX	1,00			--
0007	LAFN48163	00048163	ANT. PANEL IWD/2 -40MT INX	1,00			--
0008	LAFN48170	00048170	BAND IWD/2 LT.DX INX	1,00			--
0009	ABGO33796	00033796	VIBRATION DAMP. 40X30-M 8X12+M 8F-60+5SH	4,00			--
0010	ETET48196	00048196	LABEL IWD/2 IDR.	1,00			--
0011	MPVR74070	00074070	INSERT FOR STEAM CRANK	2,00	01/03/2017		--
0011	MPVR74070	00074070	INSERT FOR STEAM CRANK	3,00		28/02/2017	--
0011	LAFN40923		INSERT CH.13 L.7 OT.	1,00	01/03/2017		--
0012	MPVR40584	00040584	KNOB	3,00			--
0013	LAFN40496		PLATE IWD/2 2V. CPL.	1,00	01/11/2012		--
0013	LAFN48494	00048494	PLATE IWD/2 ZC.	1,00		31/10/2012	--
0014	LAFN48167	00048167	BOX COVER IWD/2 INX	1,00			--
0015	MEVR48192	00048192	BUTTON ID2 IWD/2 L.27	1,00			--
0016	GUGO27129	00027129	JOINT 10X3	1,50			--
0017	ETET48195	00048195	LABEL IWD/2 ELETT.	1,00			--
0018	MELF40938	00040938	LAMP SOCKET D.12 GREE. SLX51	1,00			--
0019	MELF40937	00040937	LAMP SOCKET D.12 ORAN. SLX51	1,00			--
0020	MELF48381	00048381	LAMP SOCKET D.12 RED. SLX51	1,00			--
0021	MPVR23487	00023487	THICKNESS THERM. - INT. TUV	3,00			--
0022	MPVR23482	00023482	SWITCH TANG TEC. TUV	2,00			--
0023	MPVR41903	00041903	THICKNESS TERM.IM.PA66	1,00			--
0024	MPVR23484	00023484	TAIL PIECE THERM.KSM TUV	1,00			--
0025	GUGO25527	00025527	O-RING D. 14 X 3 NBR 70SH	3,00			--
0026	MPVR45423	00045423	GREY KNOB P176-M.RACE PA6	3,00		04/05/2008	--
0026	MPVR89723		GREY KNOB P176-MR C/F.FS.	3,00	05/05/2008		--
0027	TBAP40021		H.P. HOSE R2 MT 20 3/ 8" C/2 IRV IX	1,00			--
0028	IPPR89429		GRIP G 4500 - P.330 -M22SW.M V	1,00		16/04/2014	--
0028	IPPR40016		GRIP G 5000+P.330 +M22 SW.M V2	1,00	17/04/2014	31/01/2016	--
0028	IPPR40020		GRIP G 6000+P.330 +M22 SW.M V	1,00	01/02/2016		--
0029	LCPR12976	00012976	EXTENSION P 70	1,00		30/11/2016	--
0029	LCPR40087		EXTENSION P 70 -P20.IX700 M22 M	1,00	01/12/2016	31/08/2017	--
0029	LCPR40159		EXTENSION P 70 -P20.IX700 M22 M 0°	1,00	01/09/2017		--
0030	UGLN02304	00002304	NOZZLE 1/4 25065	1,00		02/05/2006	--
0030	UGLN49995	00049995	NOZZLE LECH 1/4 25065	1,00	03/05/2006		--
0031	MEVR27264	00027264	FUSE-HOLDER 031-1081	3,00			--
9999	KTRI48113	00048113	KIT P 35- 30	1,00			--



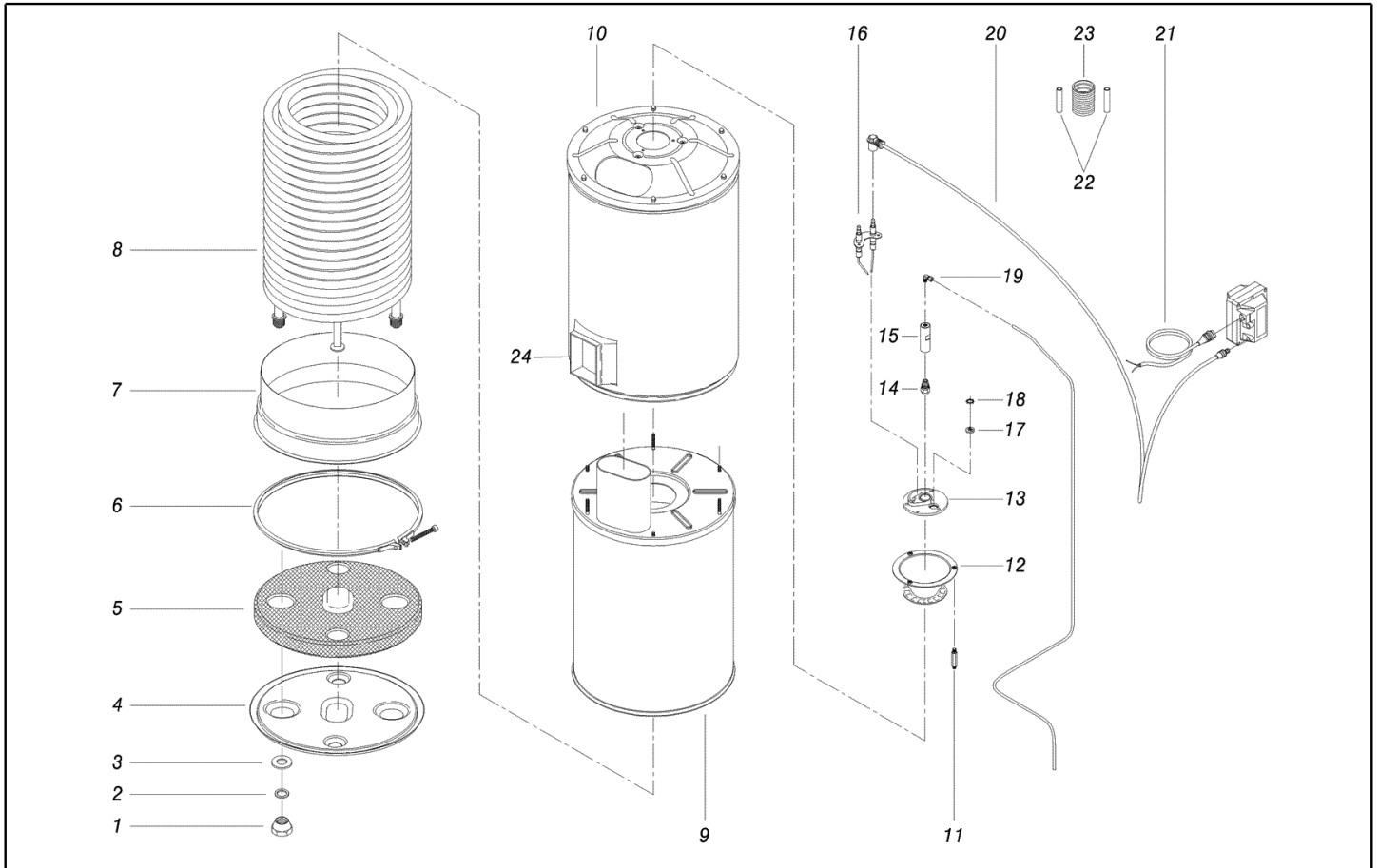
Ref. K	Part n.	Customer part n.	Description	Quantity	Validity		Price
					From	To	
0001	RCVR29600	00029600	SOCKET PTC 3/4 F	1,00			--
0002	FTAC30214	00030214	FILTER D.15X67	1,00			--
0003	RCVR59738	00059738	LOCKNUT G 3/4	1,00			--
0004	RCDS48179	00048179	NIPPLE 3/4 - 1/2 D.15 L.70 OT.	1,00			--
0005	RCVR00670	00000670	TEE UNION 1/2 F/F/F	1,00			--
0006	RCDS01091	00001091	CAP 1/2X10 M	1,00			--
0007	RCDS48469	00048469	NIPPLE 3/4 - 1/2 CB D.12.0	1,00			--
0008	TBBP48182	00048182	L.P. HOSE L=600 3/4F 90°	1,00			--
0009	FSVR00431	00000431	CLAMP D. 16-25	1,00			--
0010	RCDS10356	00010356	RING NUT FUT	1,00			--
0011	RCDS10357	00010357	HOSE FITTING FUT 90°	1,00			--
0012	VTRS00548	00000548	WASHER D.17,5X23X1,5 (3/8)RM	1,00			--
0013	RCGR10358	00010358	TAP UG. D. 7	1,00			--
0014	RCGR01387	00001387	PLASTIC BALL D.104	1,00			--
0015	TBBP17436	00017436	L.P. HOSE D.12-14 RILSAN NT.	0,17			--
0016	FTDT21315	00021315	FILTER D.20X45 18LT	1,00			--
0017	MPVR22117	00022117	WATER TANK FUT PPL BK.	1,00			--
0018	MPVR48194	00048194	TANK COVER IWD/2 ABS	1,00			--
0019	TBBP15656	00015656	L.P. HOSE D.16-26 20BAR	0,24			--
0020	RCDS89632		HOSE FITTING 3/8 M D. 9.0 CLB OT.	1,00			--
0020	RCVR02605	00002605	REDUCTION 1/2-3/8 M/F	1,00			--
0021	VTRS00549	00000549	WASHER D.21,5X27X1,5 (1/2) RM	2,00			--
0022	RCVR00575	00000575	ELBOW 1/2" M/F A10	1,00			--
0023	PPAP47446	00047446	PUMP TS1991 SX LT 21-100 B. US	1,00			--
0024	MFVR10551	00010551	FLANGE HP10 WS202	1,00			19/10/2008
0024	MFVR40003		FLANGE HP 15 H132	1,00	20/10/2008		--
0025	FGGT05729	00005729	FLEX. COUPLING HP10 G112 24-38	1,00			19/10/2008
0025	FGGT40001		FLEX. COUPLING IP W S.66 H132	1,00	20/10/2008		--
0026	MOTR88938		3PH MOTOR B3-B14 HP10 50 230-400 ED	1,00			--
0027	VTRS00548	00000548	WASHER D.17,5X23X1,5 (3/8)RM	1,00			--
0027	VTRS00548	00000548	WASHER D.17,5X23X1,5 (3/8)RM	1,00			--
0027	VTRS12492	00012492	WASHER 3/8	2,00			30/11/2015
0027	VTRS40026		WASHER 3/8 ZC + NBR 85SH	2,00	01/12/2015		--
0028	RCDS40065		SCREW G 3/8 - 1/8F L=48.5 INX	1,00	12/10/2011		--
0028	RCDS40551	00040551	SCREW G 3/8 - 1/8F L=48.5	1,00			11/10/2011
0029	RCDS40589	00040589	CONNECTOR T 3/8M - 1/4 M/F OT.	1,00			--
0030	TBAP48180	00048180	HOSE-FITTING 1/4 R1 L=480 0-90° 1/4 F	1,00			--
0031	VVSF40587	00040587	PRESSURE VALVE REG.D.1.5 MHDS	1,00			--
0032	RCVR03535	00003535	NIPPLE 1/4 - 1/8 CN	1,00			--
0033	RCDS02612	00002612	SCREW G 1/4 A.P.	1,00			--
0034	TBAP40004		POLYAMIDE HOSE L=260 1/4 F-F	1,00	15/04/2007		--
0034	TBAP42069	00042069	POLYAMIDE HOSE L=260 1/4-1/4 F-F	1,00			14/04/2007
0035	MNMN07992	00007992	PRESSURE GAUGE 0-250 D.50	1,00			18/11/2003
0035	MNMN49621	00049621	PRESSURE GAUGE 0-250 D.50 INOX	1,00	19/11/2003		--



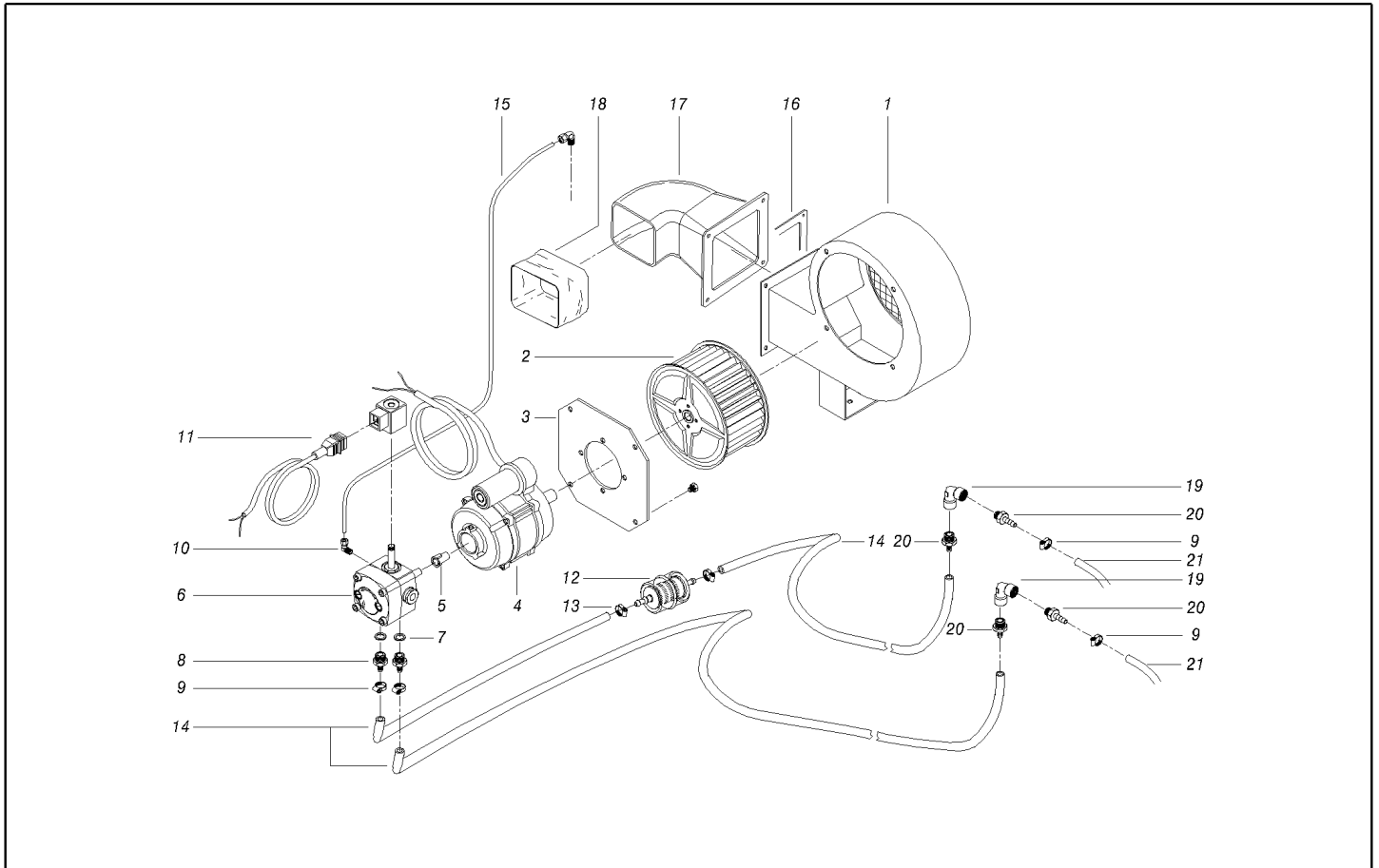
Ref. K	Part n.	Customer part n.	Description	Quantity	Validity		Price
					From	To	
0036	TBAP48181	00048181	HOSE-FITTING 1/4 R1 L=780 90-90° 1/4F	1,00			--
0037	RCDS40128		SCREW G 1/2 -1/4M D.8 L=48.5 IX	1,00	12/10/2011		--
0037	RCDS48465	00048465	SCREW G 1/2 -1/4M D. 8 L=48.5	1,00		11/10/2011	--
0038	VVAZ46720	00046720	VALVE MV 625 W151 AC S/IN. REG.	1,00		30/11/2012	--
0038	VVAZ40033		VALVE VRF-2 IP-W AC S/IN.	1,00	01/12/2012	31/01/2014	--
0038	VVAZ40040		VALVE VRF-2 IP-W AC S/IN. REG.	1,00	01/02/2014		--
0039	TBAP48184	00048184	HOSE-FITTING 3/8 R2 L=730 3/8O-1/2PMG	1,00			--
0040	RCDS11778	00011778	SCREW G 3/8 + 3/8M	1,00		11/10/2011	--
0040	RCDS40092		SCREW G 3/8 + 3/8M INX	1,00	12/10/2011		--
0041	RCVR00563	00000563	SWIVEL RACCORD 3/8 M/F	1,00			--
0042	VVSC21627	00021627	VALVE VS 220 G3/8	1,00		19/06/2010	--
0042	VVSC40005		VALVE MR 401 G3/8	1,00	20/06/2010		--
0043	RCDS03514	00003514	HOSE FITTING 3/8 M D. 5- 7	1,00			--
0044	TBBP04917	00004917	L.P. HOSE D. 6- 9	0,40		30/04/2012	--
0044	TBBP93804		L.P. HOSE D. 6- 9	0,40	01/05/2012		--
0044	TBBP04917	00004917	L.P. HOSE D. 6- 9	1,00		30/04/2012	--
0044	TBBP93804		L.P. HOSE D. 6- 9	1,00	01/05/2012		--
0045	RCDS00593	00000593	SUMP IM 0-120 L=50	1,00			--
0046	MLML02623	00002623	SPRING IMT	1,00			--
0047	RCDS21118	00021118	CONNECTOR KSM	1,00		11/12/2005	--
0047	RCDS89560		CONNECTOR IWD/2 M14X1.5 ZC.	1,00	12/12/2005		--
0048	RCDS29100	00029100	RING NUT M26X1.5 RB.	1,00			--
0049	RCDS19322	00019322	BLOC BODY 3/8F-M14	1,00			--
0050	RCIN09348	00009348	MALE COUPLING 3/8MA L=32	1,00			--
0051	RCVR02606	00002606	REDUCTION 1/2-1/4 M/F	1,00			--
0052	RCDS29082	00029082	HOSE FITTING 1/8 F D. 7 EL.KS 610	2,00			--
0053	VVSF46712	00046712	VALVE 1/4M -PG. D.3X7.5	1,00			--
0054	FSVR00427	00000427	CLAMP D. 12 CLIC 66-110	4,00			--
0055	TBBP00051	00000051	DETERGENT HOSE D. 6-12	0,20			--
0056	RCDS00626	00000626	HOSE FITTING 1/4 M D. 5- 7	10,00			--
0057	RCDS48462	00048462	BLOCK 4V. 4X1/4F IWD-2V.	1,00			--
0058	RCDS01088	00001088	CAP 1/4X 9 M WW90	1,00			--
0059	RCVR00562	00000562	SWIVEL RACCORD 1/4 M/F	2,00			--
0060	RCDS00607	00000607	NIPPLE 1/4 - 1/4 SV	2,00			--
0061	TBBP00051	00000051	DETERGENT HOSE D. 6-12	1,60			--
0062	RCGR40583	00040583	DETERGENT TAP	2,00			--
0063	FTDT04648	00004648	FILTER PG. D.6 PLS	2,00			--
0064	TBBP00058	00000058	L.P. HOSE D. 4- 7	0,70			--
0066	RCDS33713	00033713	SLEEVE 1/4-M14X1.5 M/F D. 4.5	1,00			--
0067	ACID08195	00008195	ACCUMULATOR M 14X1.5 30BAR	1,00			--
0068	VTRS04931	00004931	WASHER COPPER D.13X19X1.5	2,00			--
0069	TBBP48183	00048183	L.P. HOSE L= 350 1/4OC.- 3/8F 0°	1,00			--
0070	TBBP04917	00004917	L.P. HOSE D. 6- 9	1,60		30/04/2012	--
0070	TBBP93804		L.P. HOSE D. 6- 9	1,60	01/05/2012		--



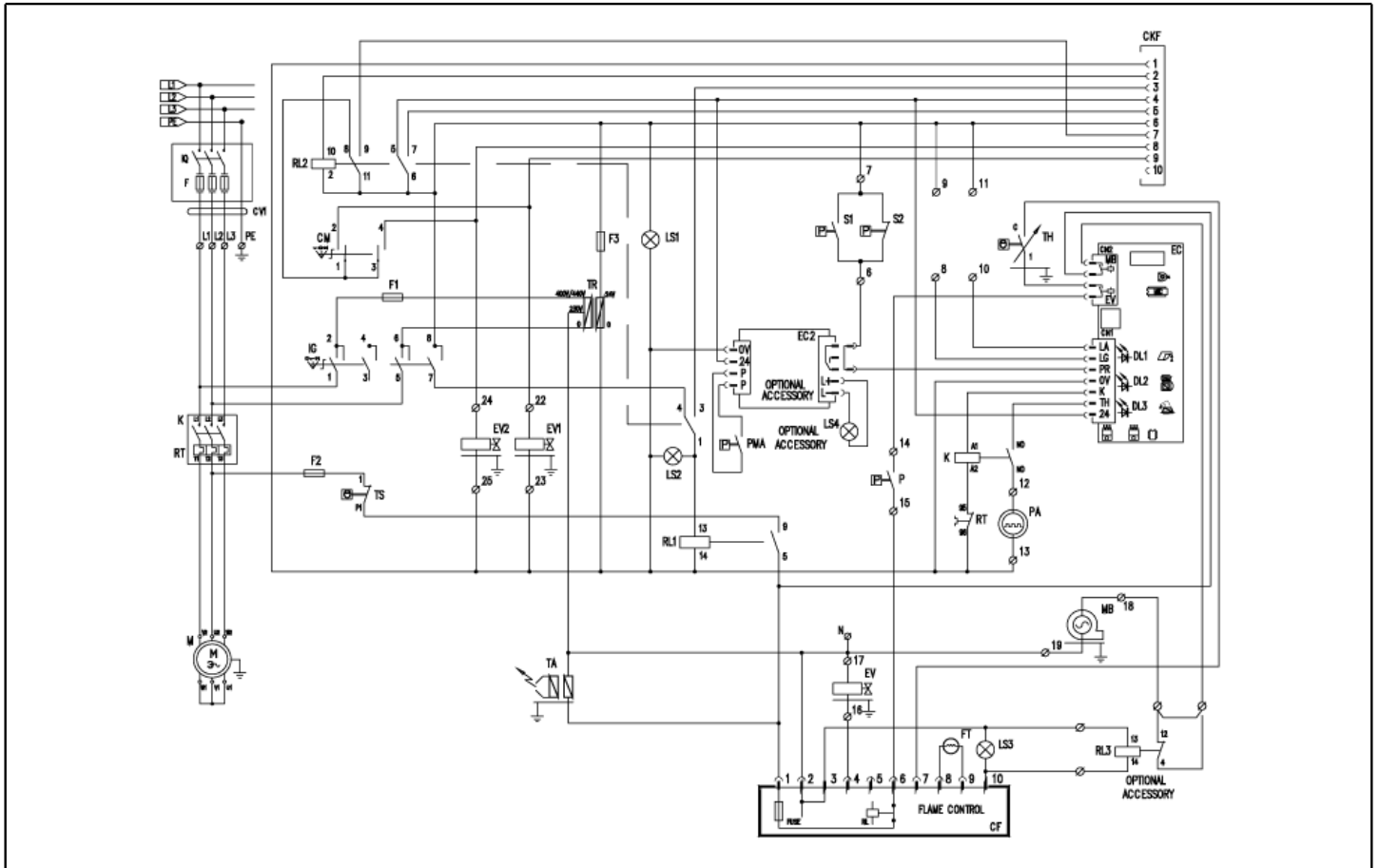
Ref. K	Part n.	Customer part n.	Description	Quantity	Validity		Price
					From	To	
0071	RCVR00581	00000581	ELBOW 1/4" F A9	5,00			--
0072	VTRS00548	00000548	WASHER D.17,5X23X1,5 (3/8)RM	1,00			--
0072	GUGO01035	00001035	O-RING D. 13.95 X 2.62 NBR 70SH	1,00			--
0073	RCVR12243	00012243	CAP 3/8M L=10	1,00	29/04/2003		--
0073	RCDS28310	00028310	CAP 3/8 M PLS	1,00			--
0074	PVVR40273		ADAPTER VRF-2 RG.	1,00	01/12/2012	31/01/2014	--
0075	RCDS15346	00015346	WEIGHT DET.	1,00	04/02/2015		--
0076	RCVR26495	00026495	CONNECTOR T 1/4 M/F/M A17	1,00	01/03/2017		--



Ref. K	Part n.	Customer part n.	Description	Quantity	Validity		Price
					From	To	
0001	RCDS21120	00021120	RING NUT M 26 X 1,5	2,00			--
0002	GUGO21222	00021222	O-RING D. 15.54 X 2.62 VIT 80SH	2,00			--
0003	GUVR21021	00021021	ANTI-EXTR.RING D. 21 X17 TEF.	2,00			--
0004	LAFN44149	00044149	BOILER BOTTOM P176	1,00			--
0005	ITTE44175	00044175	BOTTOM P176 C.TE	1,00			--
0006	LAFN40037		RING D.342 P176 ZN 2V.CPL.	1,00	01/07/2007		--
0006	LAFN44150	00044150	RING D.345 P176 ZN	1,00		30/06/2007	--
0007	LAFN44151	00044151	BAND P176 INX	1,00			--
0008	LAGR44873	00044873	DOUBLE COIL M26X1.5 P176 40MT.	1,00			--
0009	LAFN46226	00046226	INT. CYLINDER P176 40.CP.INX	1,00			--
0009	LAFN43244	00043244	CHIMNEY EXTENS. KSM H.70 INX	1,00			--
0010	LAFN40035		EXT. CYLINDER P176-FR/2 40.CP.	1,00			--
0012	LAFN44244	00044244	BAFFLE P176 30M INX	1,00			--
0013	MFVR48191	00048191	ELECTR.HOLDER P176 P/CT.FMM.	1,00			--
0014	UGBR31344	00031344	BURNER NOZZLE 1.75 60 S	1,00			--
0015	RCDS07642	00007642	NOZZLE HOLDER FUT	1,00			--
0016	MECA12525	00012525	ELECTRODE FUT	1,00			--
0017	MPVR18228	00018228	OIL WARN-LIGHT D.17 X3	1,00			--
0018	VTAE22633	00022633	SEEGER 0.4 X18.30X10,5	1,00			--
0019	RCVR08954	00008954	ELBOW 1/8"-4 B5	1,00			--
0020	MECV35336	00035336	CABLE A.T. 9,8-23KOH/M L= 750P	2,00			--
0021	MECB34463	00034463	CABLE BT L=800 SP. FD	1,00			--
0022	LAFN48187	00048187	SPACER D. 6- 8 L=43 INX	2,00			--
0023	MPVR31720	00031720	PROTECTOR 22 X 44	1,00			--
0024	MPVR40013		CONVEYOR P176-FBX PA6 BK.	1,00	01/01/2010		--

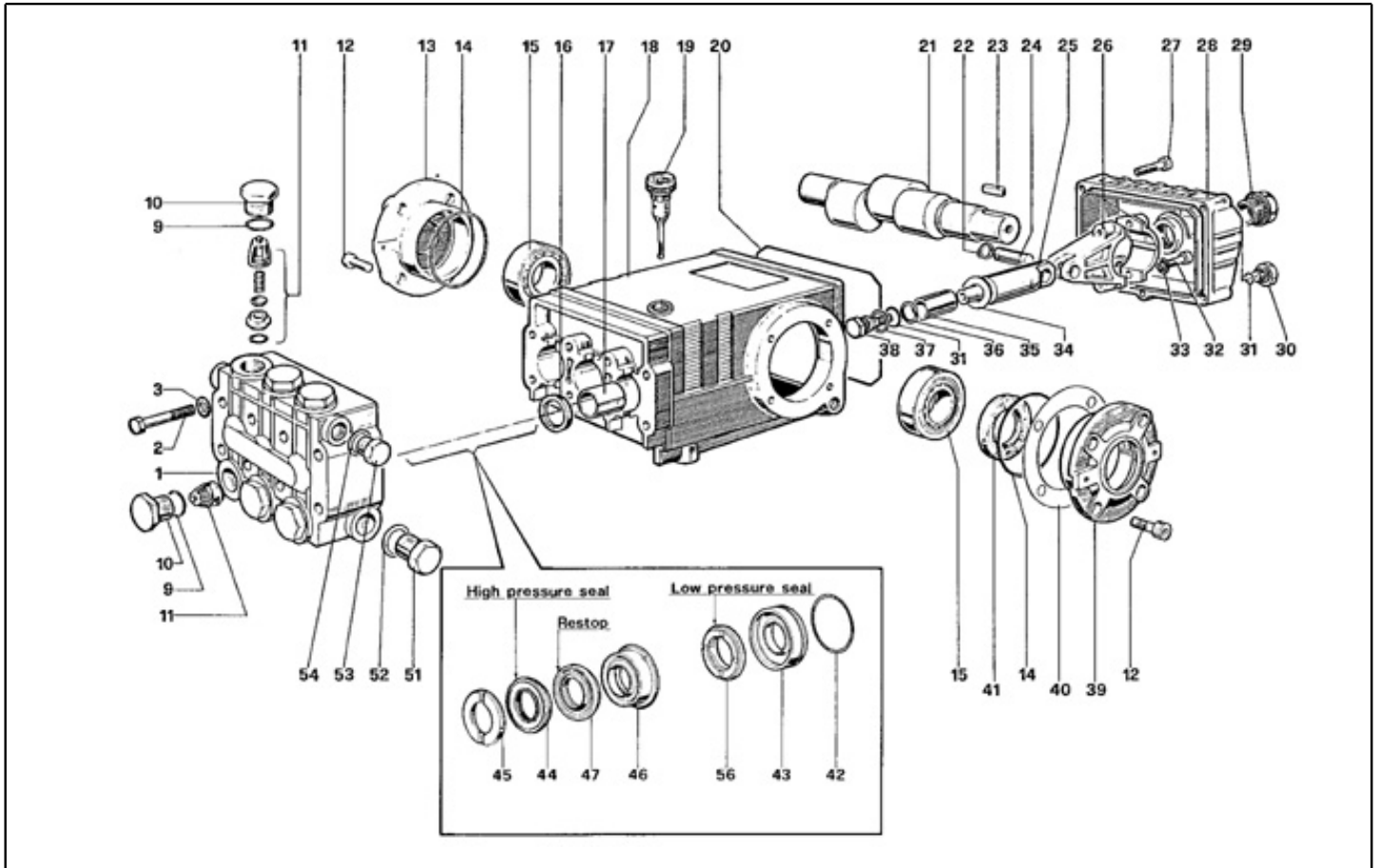


Ref. K	Part n.	Customer part n.	Description	Quantity	Validity		Price
					From	To	
0001	LAFN40039		BRACKET CB4-IWD/2	1,00			--
0001	MPVR40010		SCROLL CB4 -2PZ.CP	1,00		05/11/2015	--
0001	MPVR40665		SCROLL CB4 -2PZ.GR.	1,00	06/11/2015		--
0002	VEVR34275	00034275	IMPELLER D.160-80 D.12.7 36P B.SX	1,00			--
0003	LAFN10272	00010272	MOTOR PLATE CB 3	1,00			--
0004	MOMB35727	00035727	BURNER MOTOR 230-60 IP44 200W A.OR	1,00			--
0005	FGGT36513	00036513	JOINT HP 0.25 AACO	1,00			--
0006	FTCO88927		FUEL FILTER S.AL	1,00	01/01/2005		--
0006	PPGS40005		FUEL PUMP DNF BFA 01L3R2	1,00			--
0007	VTRS04931	00004931	WASHER COPPER D.13X19X1.5	2,00			--
0008	RCDS00626	00000626	HOSE FITTING 1/4 M D. 5- 7	2,00			--
0009	FSVR00427	00000427	CLAMP D. 12 CLIC 66-110	4,00			--
0010	RCVR08954	00008954	ELBOW 1/8"-4 B5	1,00			--
0011	MECB18118	00018118	CABLE DLT L=1.600	1,00			--
0012	FTCO34840	00034840	FUEL FILTER FB 7/A NYL.	1,00		07/04/2010	--
0012	FTCO40003		FUEL FILTER FB 7/TA 60mc NYL.	1,00	08/04/2010	24/02/2016	--
0012	FTCO40004		FUEL FILTER FB 7/T 60mc NYL.	1,00	25/02/2016		--
0013	FSVR11197	00011197	CLAMP D.I. 11 13315	2,00			--
0014	TBCO06945	00006945	L.P. HOSE D. 6-12 10BAR C.PRESS	0,60			--
0015	TBCO40042		DIESEL HOSE IWD/2 40MT. D. 4 IX	1,00	15/12/2014		--
0015	TBCO48185	00048185	DIESEL HOSE IWD/2 40MT. D. 4	1,00		14/12/2014	--
0016	GUGO11214	00011214	GASKET FLL	1,00			--
0017	MPVR48124	00048124	CONVEYOR P176-IDW/ PEHD	1,00			--
0018	GUGO20124	00020124	GASKET KSM	1,00			--
0019	RCVR00581	00000581	ELBOW 1/4" F A9	2,00			--
0020	RCDS00626	00000626	HOSE FITTING 1/4 M D. 5- 7	4,00			--
0021	RCVR06845	00006845	HOSE FITTING 1/2 x 13M	2,00			--

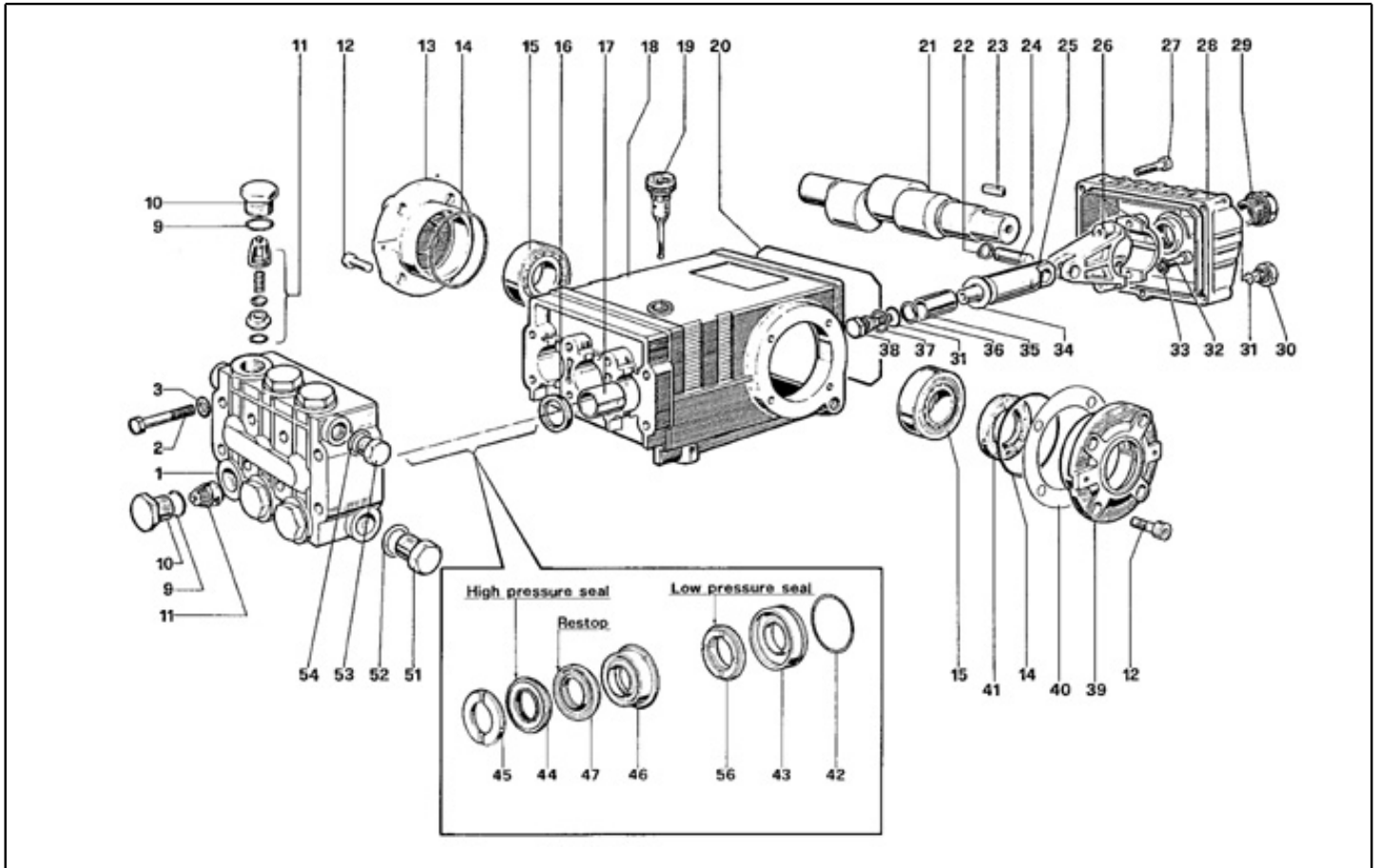


Ref. K	Part n.	Customer part n.	Description	Quantity	Validity		Price
					From	To	
K	METT40019		CONTACTOR SIE 3RT 2025-1AC20 24V	1,00	04/09/2014		--
K	METT45022	00045022	CONTACTOR SIE 3RT 1025 1AC20 24V	1,00		03/09/2014	--
P	MEPF39902	00039902	PRESSURE SWITCH MTM 1/4M NA/NC 25B. MICRO	1,00		31/10/2014	--
P	MEPF40017		PRESSURE SWITCH PR 5 1/4M 25BAR L.1300	1,00	01/11/2014		--
CF	MECF08651	00008651	EQUIPMENT G22 S.08 TV 1.5 TS10 FTT	1,00			--
CM	MECI48382	00048382	COMMUTAT.SWITCH BRM 1-0-2 UNIP.12A CR012	1,00			--
EC	MECE45448	00045448	PCB P105 T-ST/MP/LIV. STOP30'	1,00			--
EV	MEBE43705	00043705	COIL DNF 220-50	1,00			--
FT	MECF08832	00008832	PHOTOELET.CELL FC8/A L=0.620	1,00			--
IG	MECI40017		COMMUTAT.SWITCH 0-1-2 UN.	1,00	15/01/2011		--
IG	MECI40544	00040544	COMMUTAT.SWITCH 0-1-2 HD12H022-R000	1,00		14/01/2011	--
PA	MEPD45940	00045940	DESCALING PUMP NME 1 24V 50/60HZ	1,00			--
RT	METT45034	00045034	THERMAL RELAY SIE 3RU1126-4BB0 14-20 A	1,00		24/05/2011	--
RT	METT45026	00045026	THERMAL RELAY SIE 3RU1126-4AB0 11-16 A	1,00	25/05/2011	03/09/2014	--
RT	METT40035		THERMAL RELAY SIE 3RU2116-4AB0 11-16 A	1,00	04/09/2014	14/12/2014	--
RT	METT40036		THERMAL RELAY SIE 3RU2126-4AB0 11-16 A	1,00	15/12/2014		--
TA	METR88630		TRANSFORMER 23/240V-5/60HZ 2X26KV TR.	1,00			--
TH	METK19354	00019354	THERMOSTAT 0-150° L=1500	1,00		14/12/2010	--
TH	METK40006		THERMOSTAT 0-150° L=1500 S&R	1,00	15/12/2010	31/12/2012	--
TH	METK40011		THERMOSTAT 0-150° L=1500 F&C	1,00	01/01/2013		--
TR	METR49392	00049392	TRANSFORMER 520VA 440/230-24V 60HZ	1,00			--
TS	METK34839	00034839	THERMOSTAT 60°C TR/711-N C.1.5	1,00			--
CKF	MEVR35664	00035664	PROTECTION ILME 10P FIX	1,00			--
CKF	MEVR35662	00035662	SOCKET ILME 10P+T	1,00			--
CV1	MECB38305	00038305	CABLE H07 RNF 4X4 L=6.500	1,00		05/07/2011	--
CV1	MECB89887		CABLE H07RNF 4X4 L. 6.500	1,00	06/07/2011		--
LS3	MELF40939	00040939	LAMP NEON 230V T120° SLX21.3	1,00			--
RL1	MERL13852	00013852	SWITCH RELAY OMR 24 VAC 10A MY2-S	1,00			--
RL2	MERL06520	00006520	SWITCH RELAY FIND 24V CA 60.13U	1,00			--
RL3	KTRI89315		KIT PX 5- 36 OMR-IWD/2	1,00			--
EV12	MEEV14389	00014389	BODY 1/4"SCEM PM139LV	2,00			--
EV12	MEBE29000	00029000	COIL SCEM ZB14-24V AC	2,00			--
F123	MEVR00237	00000237	FUSE 5X20 3,15A	3,00			--
LS12	MELF48357	00048357	LAMP LUMI. 24V FAST	2,00			--
S1,2	MEPF39741	00039741	PRESSURE SWITCH MTM 1/8M NA/NC 25B. MICRO	2,00		31/10/2014	--
S1,2	MEPF40016		PRESSURE SWITCH PR 5 1/8M 25BAR RD.L.1300	2,00	01/11/2014		--

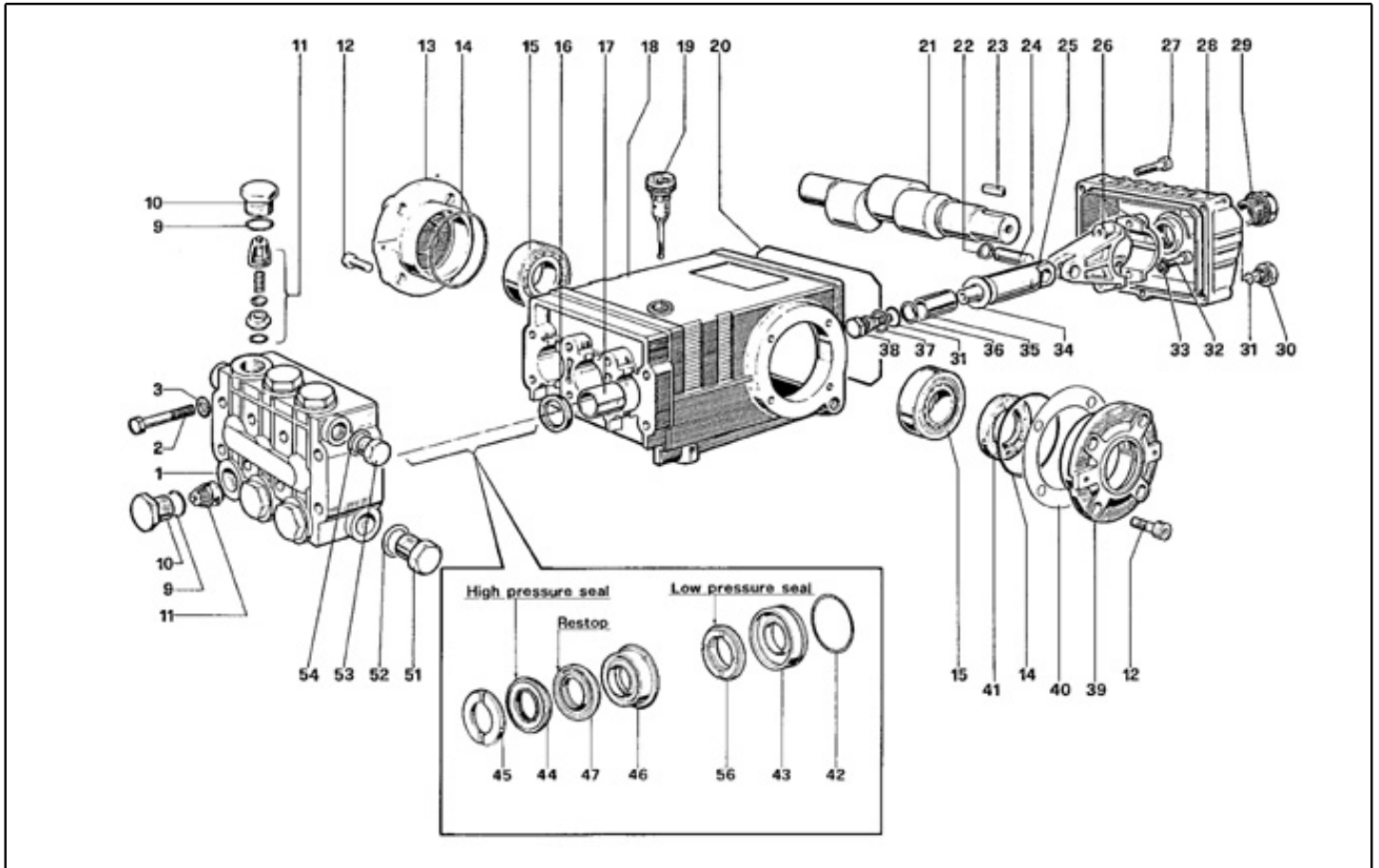




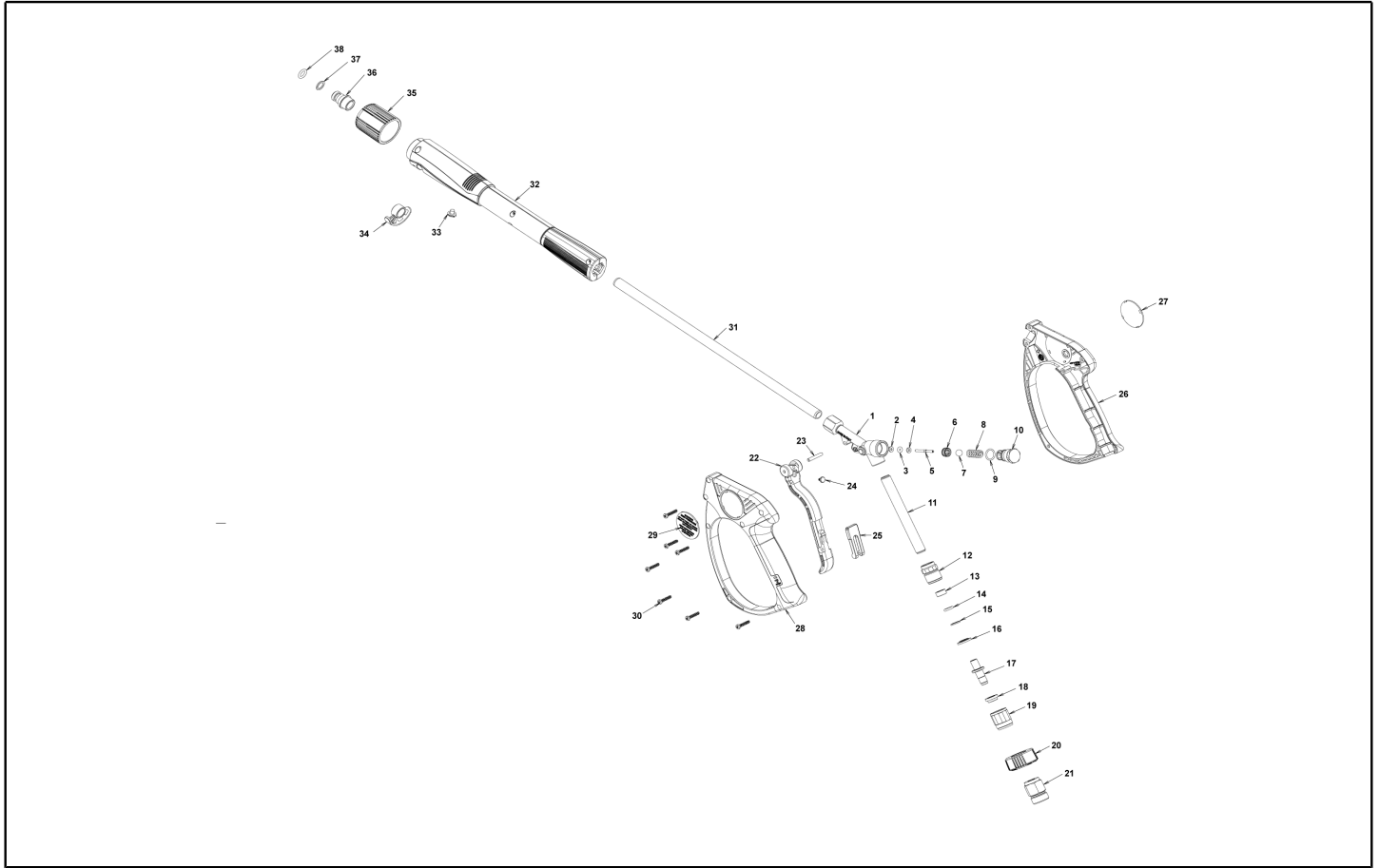
Ref. K	Part n.	Customer part n.	Description	Quantity	Validity		Price
					From	To	
0001	MFVR41492	00041492	HEAD TS 1511 OT58	1,00			--
0002	VTVT01111	00001111	SCREW TE M 8X70 UNI 5737 A.10.9	8,00			--
0003	VTRS01072	00001072	WASHER D. 8 TC	8,00			--
0009	S GUGO01033	00001033	O-RING D. 20.24 X 2.62 NBR 90SH	6,00			--
0010	RCDS01087	00001087	CAP M24X2X16 OTT	6,00			--
0011	S VVAM01104	00001104	VALVE UNIT W 70-151	6,00			--
0012	VTVT01118	00001118	SCREW TCEI M 8X16 ZC. UNI 5931	8,00			--
0013	MFVR03576	00003576	CRANKASE COVER W151	1,00			--
0014	GUGO01041	00001041	O-RING D. 67.95 X 2.62 NBR 70SH	2,00			--
0015	CUVR09205	00009205	ROLLER BEARING 32206 A	2,00			--
0016	S GUGO01000	00001000	OIL SEAL 22X 32X 5 NBR70	3,00			--
0017	PVVR01011	00001011	BUSHING W 151	3,00			--
0018	MFVR41490	00041490	PUMP CRANKCASE TS 1521	1,00			--
0019	PVVR01011	00001011	BUSHING W 151	3,00			--
0020	GUGO34590	00034590	O-RING D. 133.02 X 2.62 NBR 70SH	1,00			--
0022	VTAE14016	00014016	CIRCLIP D. 12 UNI 7435	6,00			--
0023	VTVR41531	00041531	KEY 8X 7X35 UNI 6604A	1,00			--
0024	PVVR01085	00001085	GUDGEON D.13X35 W151	3,00			--
0025	PVVR15130	00015130	PISTON GUIDE WS201	3,00			--
0026	BLVR01009	00001009	CONNECTING ROD W 151	3,00			--
0027	VTVT01116	00001116	SCREW TCEI 6X30 UNI5931	5,00			--
0028	MFVR03582	00003582	CRANKASE COVER W 151 POS	1,00			--
0029	PVVR01083	00001083	OIL INDICATOR G 3/4 W70-151	1,00			--
0030	RCDS01088	00001088	CAP 1/4X 9 M WW90	1,00			--
0031	S GUGO01036	00001036	O-RING D. 10.82 X 1.78 NBR 70SH	4,00			--
0032	VTVT01120	00001120	SCREW TCEI 8X35 UNI5931	6,00			--
0034	S VTRS01753	00001753	WASHER D.14X28 X0,5	3,00			--
0035	PIVR01066	00001066	PISTON D.20X50 W 151	3,00			--
0036	S GUVR00994	00000994	ANTI-EXTR.RING W151	3,00			--
0037	S VTRS01076	00001076	WASHER D.14X18,5X0,5	3,00			--
0038	S PVVR01107	00001107	PISTON BOLT IP W151	3,00			--
0039	MFVR03583	00003583	CRANKASE COVER W151	1,00			--
0040	PVVR01016	00001016	THICKNESS 0,1 W 151	2,00			--
0041	S GUGO01003	00001003	OIL SEAL 30X 55X 7 NBR70	1,00			--
0042	S GUGO01042	00001042	O-RING D. 34.6 X 1.78 NBR 70SH	3,00			--
0043	S PVVR00977	00000977	PACKING RETAIN. W151	3,00			--
0044	S GUVR00981	00000981	PACKING W151	3,00			--
0045	S PVVR00985	00000985	HEAD RING W151	3,00			--
0046	S PVVR15195	00015195	INTERMED. RING VEDI 34589	3,00			--
0047	S GUVR15196	00015196	RING VEDI 34587	3,00			--
0051	RCDS01091	00001091	CAP 1/2X10 M	1,00			--
0052	VTRS01075	00001075	WASHER D.21,5X27 ALL	1,00			--
0053	RCDS01090	00001090	CAP 3/8X13 M WW90	1,00			--
0054	VTRS01074	00001074	WASHER D.17,05X22,3 X1,5	1,00			--



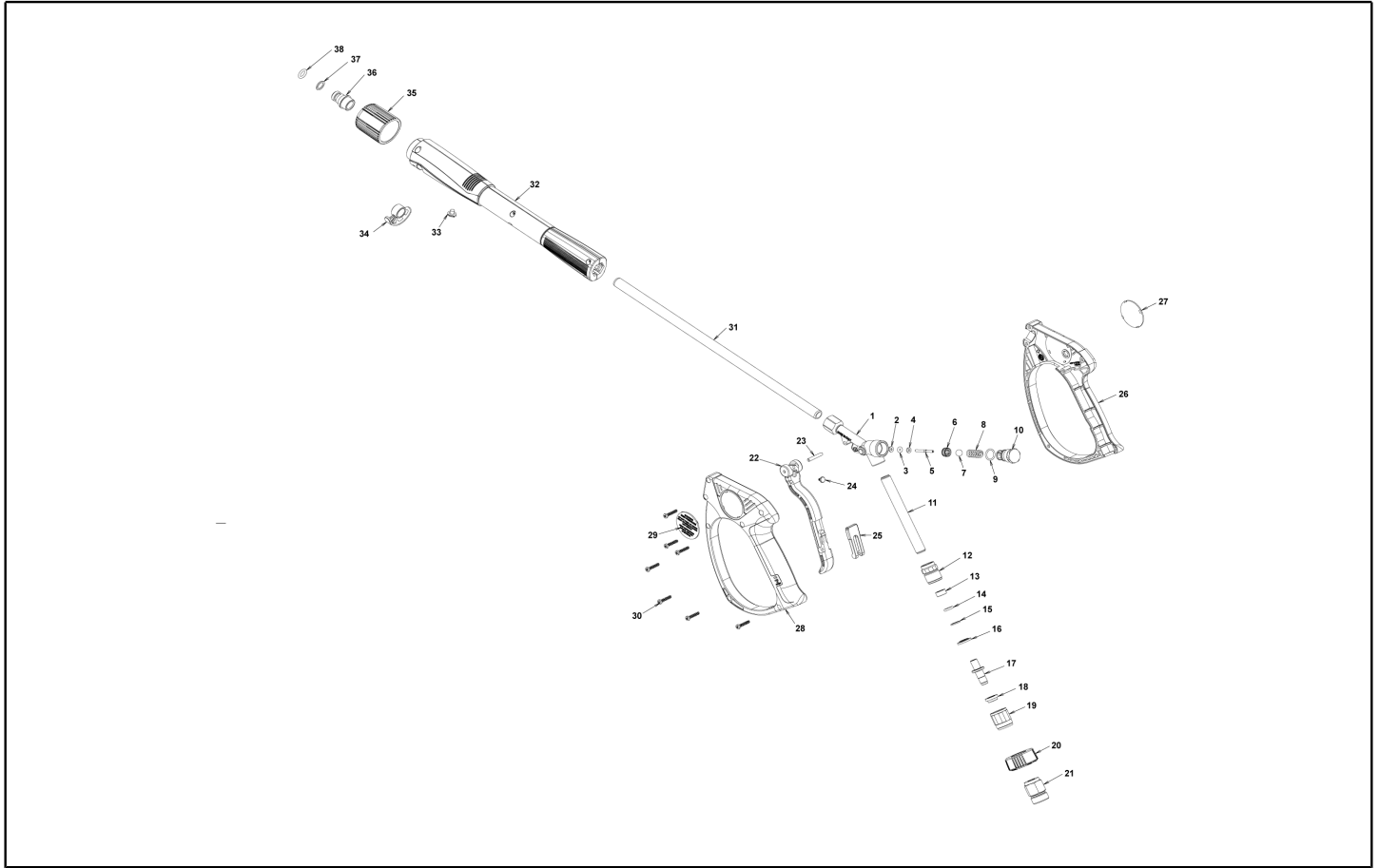
Ref.	K	Part n.	Customer part n.	Description	Quantity	Validity		Price
						From	To	
0056	S	GUVR34585	00034585	PACKING W 151 L.P.	3,00			--



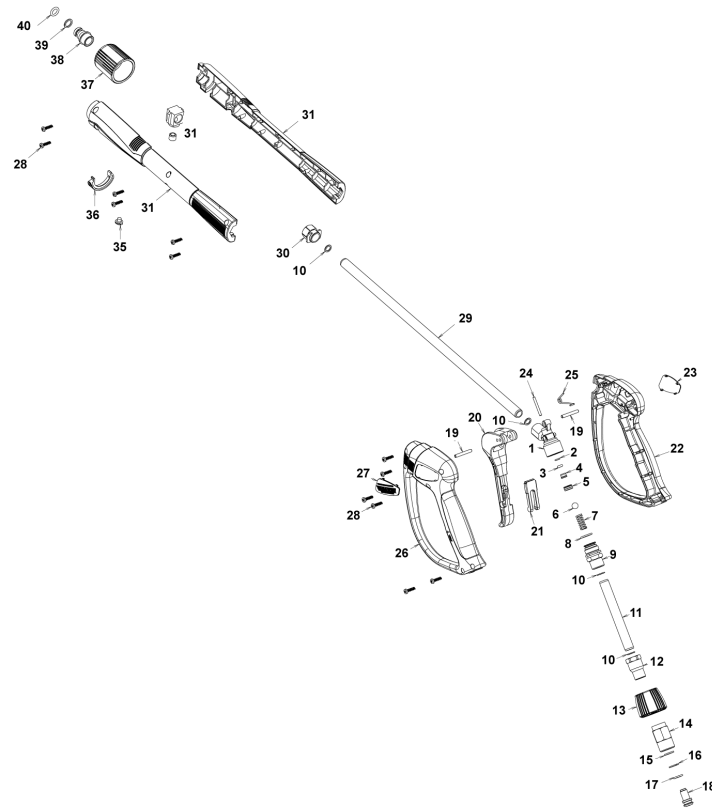
Ref. Part n.	Cust. part n.	Description	Reference	Price
KTRI14900		KIT P 15- 3	0041	--
KTRI14901		KIT P 10	0042 0043	--
KTRI17793		KIT P 6	0031 0034 0036 0037 0038	--
KTRI17796		KIT P 5	0009 0010	--
KTRI17859		KIT P 1	0011	--
KTRI17860		KIT P 15- 2	0016	--
KTRI18574		KIT P 7	0045	--
KTRI18579		KIT P 28	0042 0043 0044 0045 0046 0047 0056	--
KTRI35429		KIT P 71	0046 0047	--
KTRI36927		KIT P 69	0044 0047 0056	--



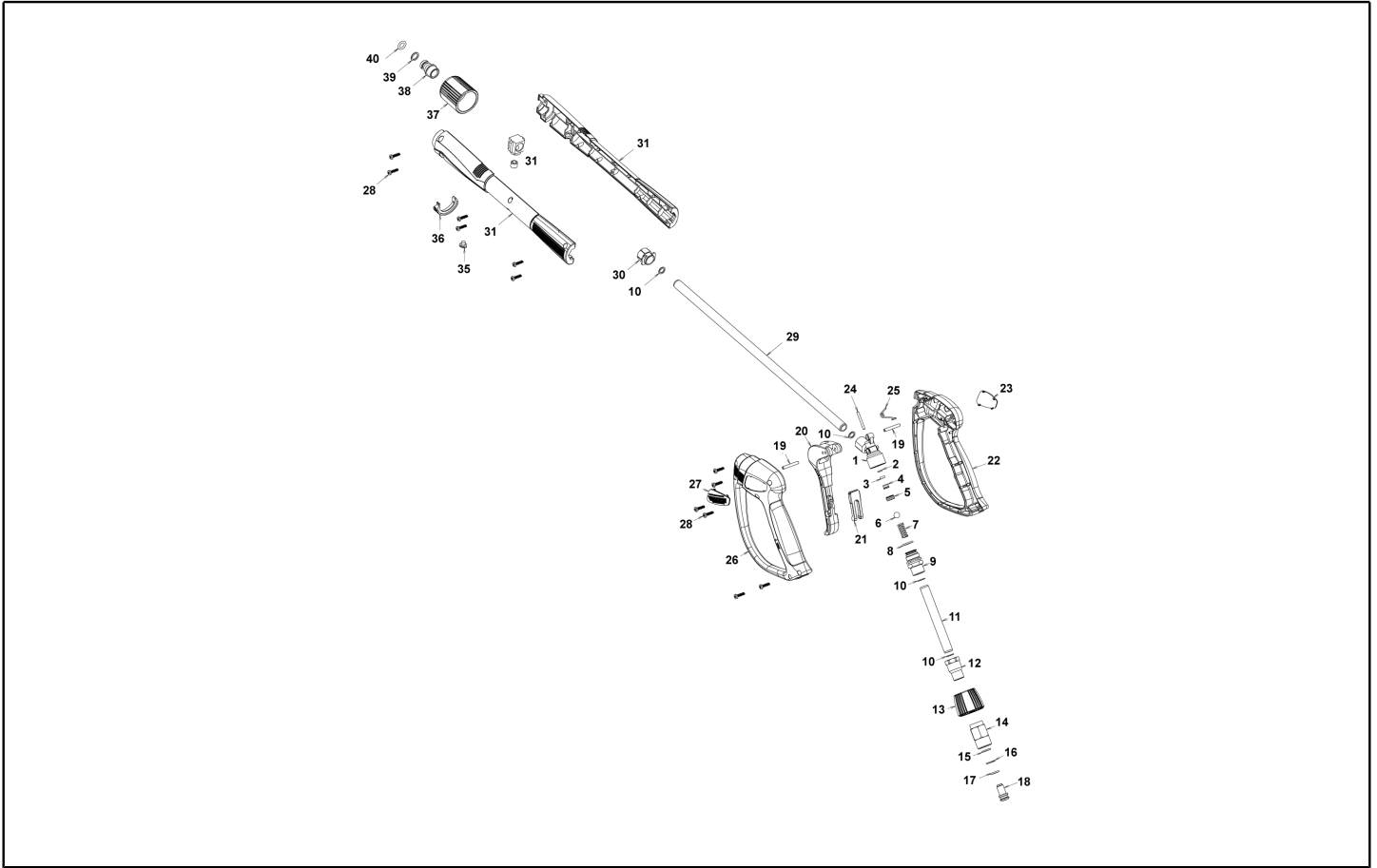
Ref. K	Part n.	Customer part n.	Description	Quantity	Validity		Price
					From	To	
0001	PVVR40402		GUN BODY G5000-V/2 G1/4F	1,00			--
0002	S GUGO17952	00017952	O-RING D. 2.84 X 2.62 NBR 70SH	1,00			--
0003	S GUGO21835	00021835	O-RING D. 2.84 X 2.62 VIT. 80SH	1,00			--
0004	S VTRS40024		WASHER D. 3 X 7 X1,5 OT	1,00			--
0005	S PVVR40404		SMALL PISTON G5000-V/2	1,00			--
0006	S PVVR40112		BALL SEAT G 5000	1,00			--
0007	S SFVR06779	00006779	BALL INOX 11/32	1,00			--
0008	MLML40016		SPRING D. 9.4 x21.5x1.6 G5000	1,00			--
0009	S GUGO21841	00021841	O-RING D. 12.42 X 1.78 NBR 90SH	1,00			--
0010	PVVR40113		CAP G 5000	1,00			--
0011	PVVR40405		TUBE G 1/4" L.115	1,00			--
0012	RCIN40024		CONNECTOR SWIV G5000-V/2 1/4F	1,00			--
0013	S PVVR40406		BUSHING G5000-V/2	1,00			--
0014	S PVVR40403		RING SW. G5000-V/2	1,00			--
0015	S GUVR40081		ANTI-EXTR.RING D.9 X13.2X1.2	1,00			--
0016	S PVVR40407		SPACER G5000-V/2	1,00			--
0017	S PVVR40408		PIN G5000-V/2	1,00			--
0018	S PVVR40409		BUSHING C/GRAD. G5000-V/2	1,00			--
0019	PVVR40410		NIPPLE G5000-V/2	1,00			--
0020	PVVR40411		KNOB SWIVEL G5000-V/2	1,00			--
0021	RCIN40025		CONNECTOR SWIV G5000-V/2 M22	1,00			--
0022	S MPVR40628		TRIGGER G5000-V/2	1,00			--
0023	S VTVR40008		PLUG D. 3 G5000	1,00			--
0024	S PVVR45053	00045053	PAWL G 2100 INX	1,00			--
0025	S MPVR40629		SAFETY-DEVICE G 5000-SW	1,00			--
0026	MPVR40630		SHELL G5000-V/2 DX	1,00			--
0027	MPVR40631		PLATE G5000-V/2	1,00			--
0028	MPVR40632		SHELL G5000-V/2 SX	1,00			--
0029	MPVR40633		PLATE G5000-V/2 SX	1,00			--
0030	VTVT62984	00062984	SCREW TC-CR M 4.2 X19 ZN	7,00			--
0031	LCPR40015		TUBE 1/4 L=370 ZC. 0°	1,00			--
0032	MPVR40195		PROTECTION P 370 MV	1,00			--
0033	MPVR40198		CAP G 5000	1,00			--
0034	MPVR40197		CAP G 5000 FIX.	1,00			--
0035	PVVR40119		CONNECTION M22X1,5 IRV G5000	1,00			--
0036	RCIN40009		GUIDGEON G 1/4 F IRV G5000	1,00			--
0037	GUVR40034		ANTI-EXTR.RING D. 10 X14	1,00			--
0038	GUGO40055		O-RING D. 2.62 X 9.19 - VITON	1,00			--



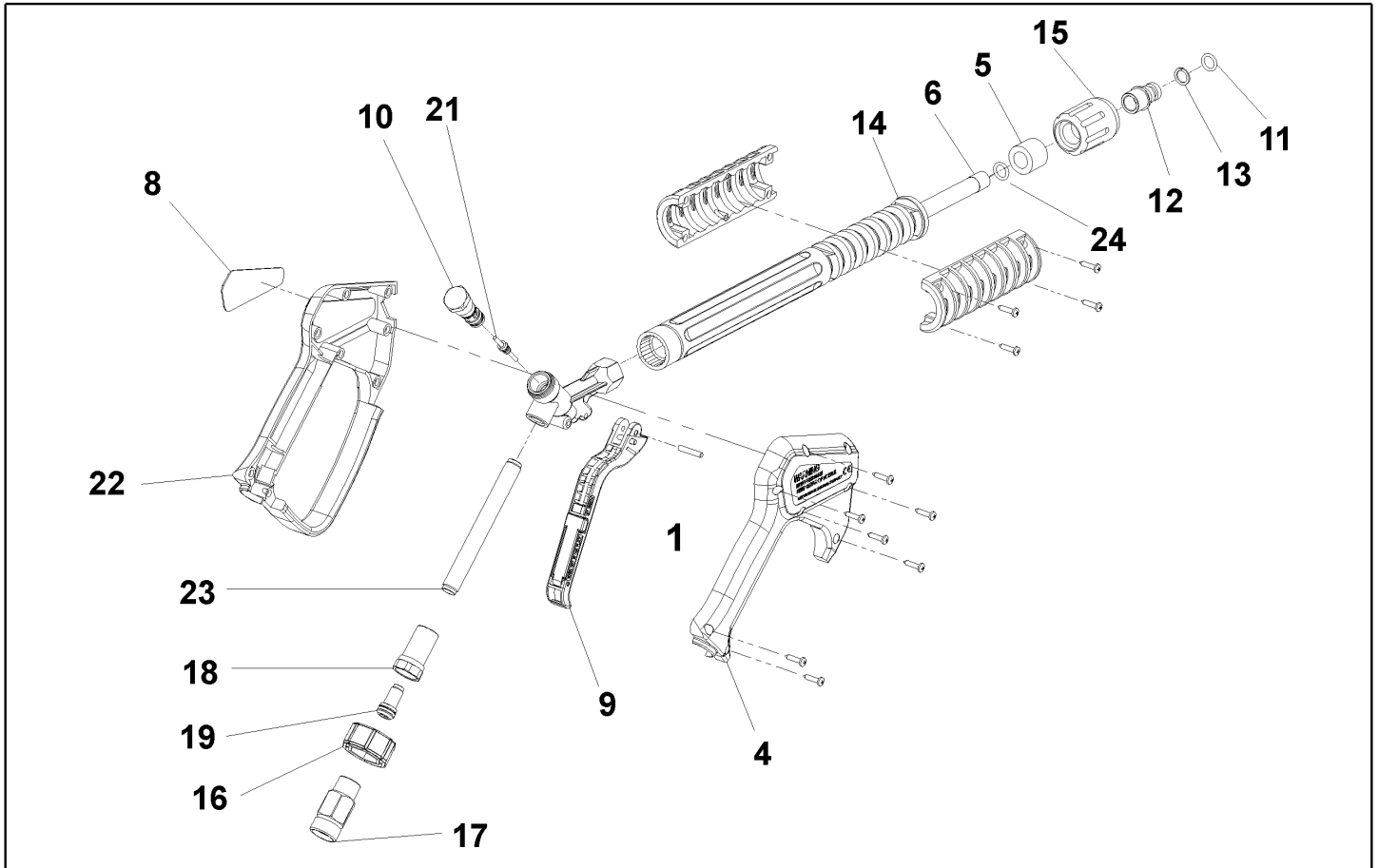
Ref. Part n.	Cust. part n.	Description	Reference	Price
KTRI40287		KIT P 26- 29 OR SEDE G5000-V/2	0002 0003 0004 0005 0006 0007 0009	--
KTRI40285		KIT P 26- 27 SWIVEL G5000-V/2	0013 0014 0015 0016 0017 0018	--
KTRI40286		KIT P 26- 28 LEVA G5000-V/2	0022 0023 0024 0025	--



Ref. K	Part n.	Customer part n.	Description	Quantity	Validity		Price
					From	To	
0001	PVVR40381		GUN BODY G 5100 G1/4F	1,00			--
0002	S GUVR40074		ANTI-EXTR.RING D. 3 X 7.4X1.3	1,00			--
0003	S GUGO21835	00021835	O-RING D. 2.84 X 2.62 VIT. 80SH	1,00			--
0004	PVVR40382		PISTON GUIDE G 5100	1,00			--
0005	S PVVR40112		BALL SEAT G 5000	1,00			--
0006	S SFVR40002		BALL D.11/32" ALL GR16	1,00			--
0007	MLML40016		SPRING D. 9.4 x21.5x1.6 G5000	1,00			--
0008	GUGO12322	00012322	O-RING D. 14 X 1.78 NBR 90SH	1,00			--
0009	PVVR40383		CONNECTOR COLL.G5100 1/4F	1,00			--
0010	VTRS40017		WASHER D. 8.2X11,4X1.00	4,00			--
0011	PVVR40384		TUBE G 1/4" L.105	1,00			--
0012	RCIN40022		CONNECTOR SWIV G5100 1/4F	1,00			--
0013	MPVR40819		RING NUT G 5100 SW. BK.	1,00			--
0014	RCIN40021		JOINT SWIV 5100 M22	1,00			--
0015	S GUVR40075		ANTI-EXTR.RING D. 10 X14X1.5	1,00			--
0016	S GUVR40076		ANTI-EXTR.RING D. 11.2X14X1.2	1,00			--
0017	S GUGO15295	00015295	O-RING D. 10.82 X 1.78 VIT 80SH	1,00			--
0018	PVVR40386		SCREW SW. G 5100	1,00			--
0019	VTVR40047		PLUG D. 4X29	2,00			--
0020	MPVR40820		TRIGGER G 6000-SW	1,00			--
0021	MPVR40821		SAFETY-DEVICE G 6000-SW	1,00			--
0022	MPVR40822		SHELL G 6000-SW DX	1,00			--
0023	MPVR40823		PLATE G 6000 GR.DX	1,00			--
0024	PVVR40387		SMALL PISTON G 5100	1,00			--
0025	MLML40029		SPRING G 5100	1,00			--
0026	MPVR40824		SHELL G 6000-SW SX	1,00			--
0027	MPVR40825		PLATE G 6000 GR.SX	1,00			--
0028	VTVT40043		SCREW AF 4X 14 HILO ZN.N	12,00			--
0029	LCPR40086		TUBE 1/4 L=420 ZC. 0°	1,00			--
0030	MPVR40493		CONNECTOR G 5100-SW	1,00			--
0031	MPVR40494		PROTECTION P 420 C/AN.	1,00			--
0035	MPVR40198		CAP G 5000	1,00			--
0036	MPVR40495		CAP G 5100 REM.	1,00			--
0037	PVVR40119		CONNECTION M22X1,5 IRV G5000	1,00			--
0038	RCIN40009		GUDGEON G 1/4 F IRV G5000	1,00			--
0039	GUVR40034		ANTI-EXTR.RING D. 10 X14	1,00			--
0040	GUGO01946	00001946	O-RING D. 9.13 X 2.62 VIT 70SH	1,00			--

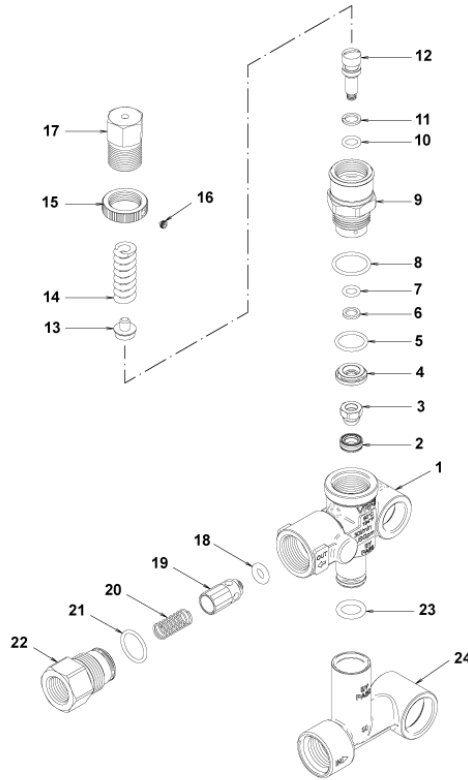


Ref. Part n.	Cust. part n.	Description	Reference	Price
KTRI40243		KIT P 26- 26 SWIVEL G 5100	0015 0016 0017	--
KTRI40414		KIT P 26- 34 G 6000	0002 0003 0005 0006	--

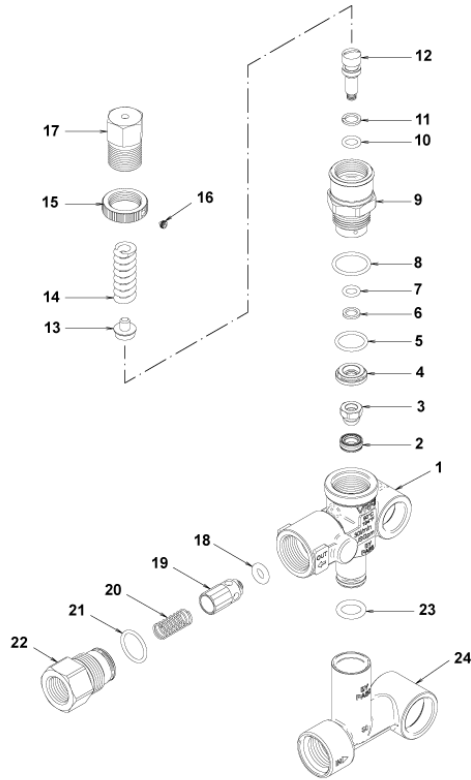


Ref. K	Part n.	Customer part n.	Description	Quantity	Validity		Price
					From	To	
0001	VTVR46568	00046568	PLUG G 4500	1,00			--
0004	MPVR46563	00046563	COVER G 4500	1,00		30/04/2008	--
0004	MPVR40157		COVER G 4500 2V.	1,00	01/05/2008		--
0005	MPVR46572	00046572	SPACER P 330 ST	1,00			--
0006	LCPR46571	00046571	TUBE 1/4 L=352 ZC.	1,00		30/04/2008	--
0006	LCPR40007		TUBE 1/4 L=352 ZC. 2V.	1,00	01/05/2008		--
0008	MPVR46569	00046569	PLATE G 4500 RD.	1,00			--
0009	MPVR40057		TRIGGER G 4500 -SW	1,00			--
0010	PVVR40030		SMALL PISTON TM ST-2300	1,00			--
0011	GUGO10384	00010384	O-RING D. 10 X 2.2 VIT 80SH	1,00			--
0012	RCVR13030	00013030	GUDGEON G 1/4 F L=31.5	1,00			--
0013	GUVR10526	00010526	ANTI-EXTR.RING D.13.9X10.2 C.BZ	1,00			--
0014	MPVR46570	00046570	PROTECTION P 330 ST	1,00			--
0015	PVVR13445	00013445	CONNECTION M 22X1,5 L=45	1,00			--
0016	MPVR40058		RING NUT G4500 SW.	1,00			--
0017	RCIN40001		JOINT SWIV 4500 3/8"F	1,00		30/04/2008	--
0017	RCIN40005		JOINT SWIV 4500 3/8"F 2V.	1,00	01/05/2008		--
0018	RCIN31641	00031641	CONNECTOR SWIV 1500 F	1,00			--
0019	KTRI31645	00031645	KIT P 26- 14	1,00			--
0021	PVVR40031		ROD ST-2300	1,00			--
0022	MPVR46562	00046562	SHELL G 4500	1,00		30/04/2008	--
0022	MPVR40156		SHELL G 4500 2V.	1,00	01/05/2008		--
0023	PVVR40023		TUBE G 1/4" M/M P/SW.	1,00			--
0024	GUGO27021	00027021	O-RING D. 11 X 2.5 EPD 70SH	1,00	01/05/2008		--

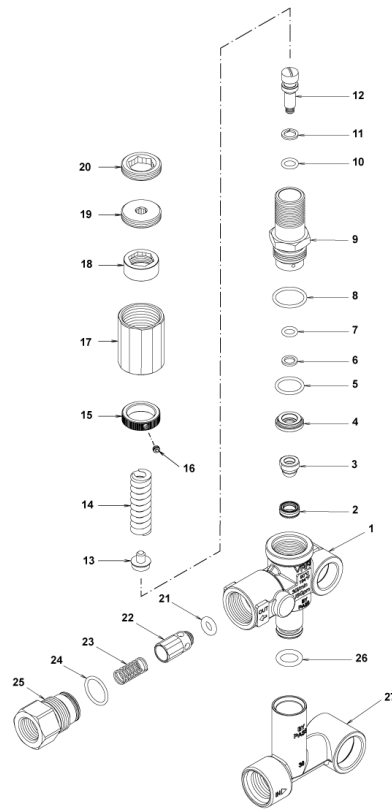




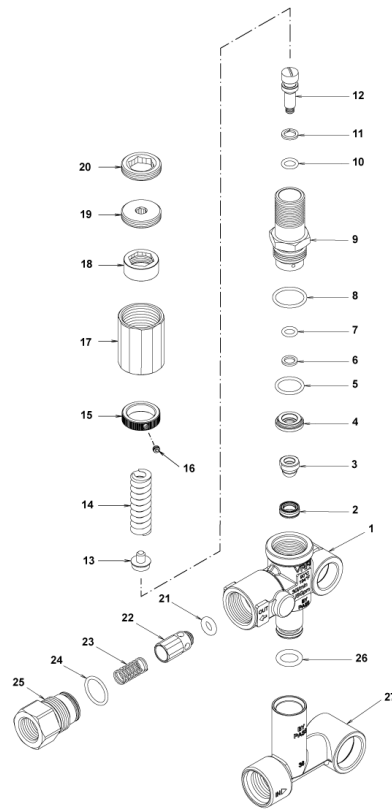
Ref. K	Part n.	Customer part n.	Description	Quantity	Validity		Price
					From	To	
0001	PVVR40362		VALVE BODY VRF2	1,00			--
0002	S PVVR40363		VALVE SEAT MV124 +OR	1,00			--
0003	S PVVR40364		COUPLING MV124	1,00			--
0004	S PVVR40365		SPACER MV124	1,00			--
0005	S GUGO12322	00012322	O-RING D. 14 X 1.78 NBR 90SH	1,00			--
0006	S GUVR40072		ANTI-EXTR.RING D. 6.5X 9.4	1,00			--
0007	S GUGO83861		O-RING D. 6.07 X 1.78 NBR 90SH	1,00			--
0008	S GUGO24913	00024913	O-RING D. 17.17 X 1.78 NBR 90SH	1,00			--
0009	S PVVR40366		CONNECTOR VRF2 D.10	1,00			--
0010	S GUGO03500	00003500	O-RING D. 6.75 X 1.78 NBR 70SH	1,00			--
0011	S GUVR40073		ANTI-EXTR.RING D. 7.1X10 X1.2 TBT	1,00			--
0012	S PVVR40367		SMALL PISTON D.10 VRF2	1,00			--
0013	PVVR40368		SPRING PLATE MV124 25B	1,00			--
0014	MLML40027		SPRING D. 3.0/6.0 X38.85	1,00			--
0015	PVVR40369		RING NUT MV167.09	1,00			--
0016	VTVT89696		SCREW EI-ST 4X 4 UNI5927 ZC	1,00			--
0017	PVVR40370		CAP VRF2 M18X1	1,00			--
0018	S GUGO46053	00046053	O-RING D. 6 X 3 NBR 90SH	1,00			--
0019	S PVVR40349		COUPLING VRT3	1,00			--
0020	S MLML40026		SPRING VRT3	1,00			--
0021	S GUGO12321	00012321	O-RING D. 15.6 X 1.78 NBR 90SH	1,00			--
0022	PVVR40350		CONNECTOR VRT3 G 3/8F	1,00			--
0023	GUGO11225	00011225	O-RING D. 10.78 X 2.62 NBR 70SH	1,00			--
0024	PVVR40371		CONNECTOR VRF2.38	1,00			--



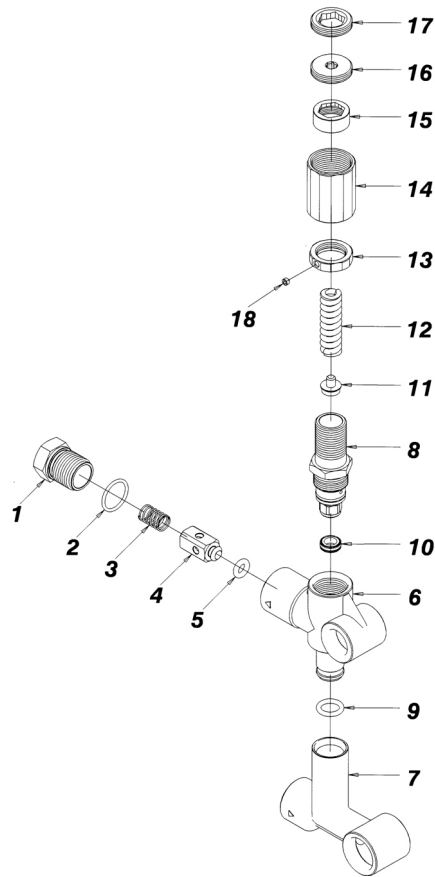
Ref. Part n.	Cust. part n.	Description	Reference	Price
KTRI40236		KIT P 14-103 VRF2	0002 0003 0004 0005 0006 0007 0008 0009 0010 0011 0012 0018 0019 0020 0021	--
KTRI40237		KIT P 14-104 SEAL VRF2	0002 0003 0005 0006 0007 0008 0010 0011 0018 0021	--



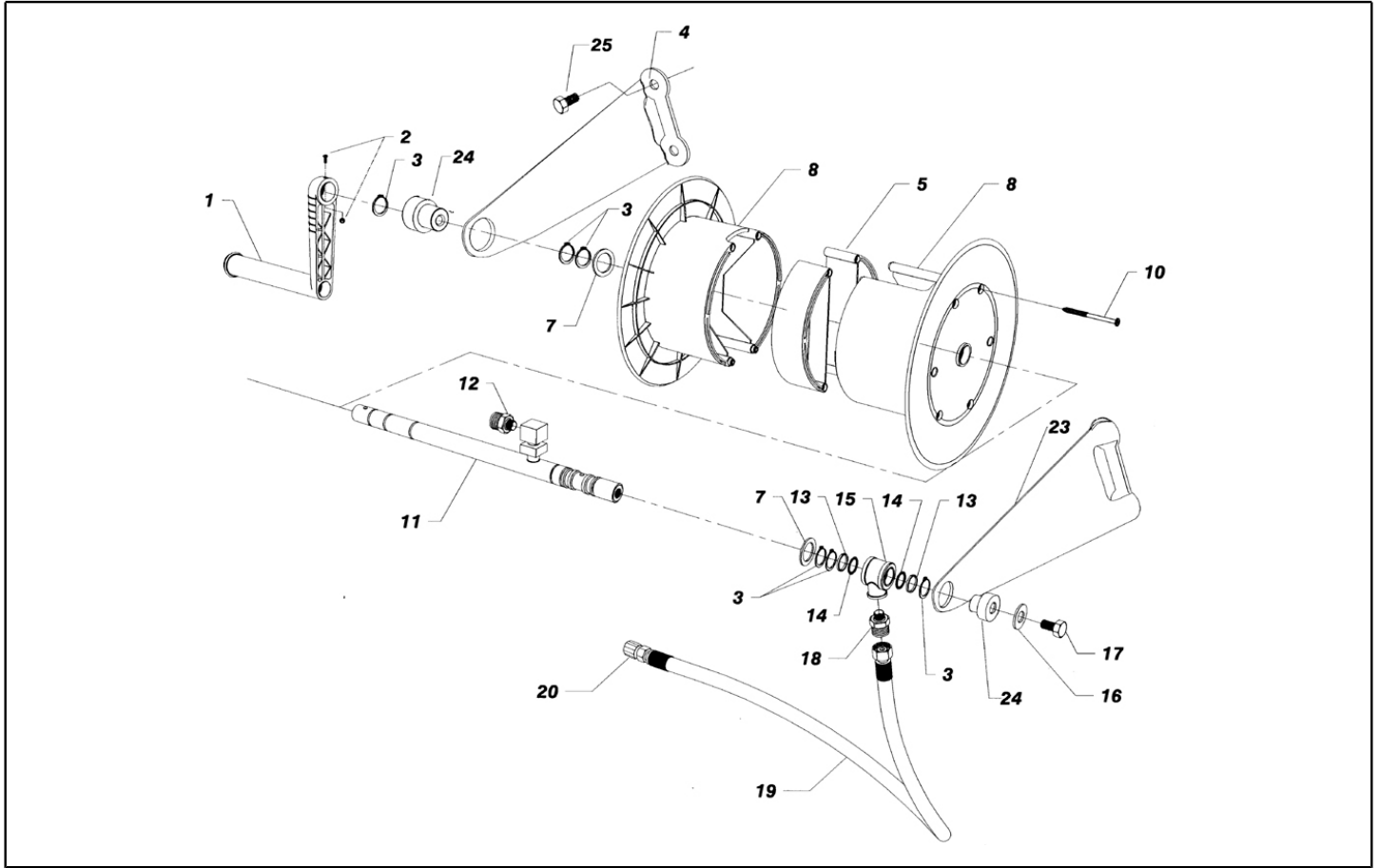
Ref. K	Part n.	Customer part n.	Description	Quantity	Validity		Price
					From	To	
0001	PVVR40362		VALVE BODY VRF2	1,00			--
0002	S PVVR40363		VALVE SEAT MV124 +OR	1,00			--
0003	S PVVR40364		COUPLING MV124	1,00			--
0004	S PVVR40365		SPACER MV124	1,00			--
0005	S GUGO12322	00012322	O-RING D. 14 X 1.78 NBR 90SH	1,00			--
0006	S GUVR40072		ANTI-EXTR.RING D. 6.5X 9.4	1,00			--
0007	S GUGO83861		O-RING D. 6.07 X 1.78 NBR 90SH	1,00			--
0008	S GUGO24913	00024913	O-RING D. 17.17 X 1.78 NBR 90SH	1,00			--
0009	S PVVR40388		CONNECTOR VRF2 RG.165 56A	1,00			--
0010	S GUGO03500	00003500	O-RING D. 6.75 X 1.78 NBR 70SH	1,00			--
0011	S GUVR40073		ANTI-EXTR.RING D. 7.1X10 X1.2 TBT	1,00			--
0012	S PVVR40367		SMALL PISTON D.10 VRF2	1,00			--
0013	S PVVR40368		SPRING PLATE MV124 25B	1,00			--
0014	S MLML47987	00047987	SPRING D. 3.25X41.1 MV 625	1,00			--
0015	S PVVR40369		RING NUT MV167.09	1,00			--
0016	S VTVT89696		SCREW EI-ST 4X 4 UNI5927 ZC	1,00			--
0017	S PVVR47989	00047989	CAP MV 625 REG.	1,00			--
0018	S PVVR47990	00047990	RING NUT MV 625 REG.	1,00			--
0019	S PVVR47991	00047991	REGISTER MV 625 REG.	1,00			--
0020	S PVVR47992	00047992	CLAMP MV 625 REG.	1,00			--
0021	S GUGO46053	00046053	O-RING D. 6 X 3 NBR 90SH	1,00			--
0022	PVVR40349		COUPLING VRT3	1,00			--
0023	MLML40026		SPRING VRT3	1,00			--
0024	S GUGO12321	00012321	O-RING D. 15.6 X 1.78 NBR 90SH	1,00			--
0025	PVVR40350		CONNECTOR VRT3 G 3/8F	1,00			--
0026	GUGO11225	00011225	O-RING D. 10.78 X 2.62 NBR 70SH	1,00			--
0027	PVVR40371		CONNECTOR VRF2.38	1,00			--



Ref. Part n.	Cust. part n.	Description	Reference	Price
KTRI40237		KIT P 14-104 SEAL VRF2	0002 0003 0005 0006 0007 0008 0010 0011 0021 0024	--
KTRI40256		KIT P 14-105 VRF2 Reg.	0002 0003 0004 0005 0006 0007 0008 0009 0010 0011 0012 0013 0014 0015 0016 0017 0018 0019 0020	--



Ref. K	Part n.	Customer part n.	Description	Quantity	Validity		Price
					From	To	
0001	PVVR47977	00047977	CONNECTOR MV625 G 3/8F	1,00			--
0002	GUGO01058	00001058	O-RING D. 17.17 X 1.78 NBR 70SH	1,00			--
0003	MLML47978	00047978	SPRING MV 625	1,00			--
0004	PVVR47979	00047979	PIN MV 625	1,00			--
0005	GUGO46053	00046053	O-RING D. 6 X 3 NBR 90SH	1,00			--
0006	PVVR47980	00047980	VALVE BODY MV 625	1,00			--
0007	PVVR47997	00047997	CONNECTOR MV 625 H.73	1,00			--
0008	PVVR47988	00047988	CONNECTOR MV 625 REG.	1,00			--
0009	GUGO11225	00011225	O-RING D. 10.78 X 2.62 NBR 70SH	1,00			--
0010	PVVR47985	00047985	VALVE SEAT MV 625 + O-RING	1,00			--
0011	PVVR47986	00047986	SPRING PLATE MV 625	1,00			--
0012	MLML47987	00047987	SPRING D. 3.25X41.1 MV 625	1,00			--
0013	PVVR47984	00047984	RING NUT MV 625	1,00			--
0014	PVVR47989	00047989	CAP MV 625 REG.	1,00			--
0015	PVVR47990	00047990	RING NUT MV 625 REG.	1,00			--
0016	PVVR47991	00047991	REGISTER MV 625 REG.	1,00			--
0017	PVVR47992	00047992	CLAMP MV 625 REG.	1,00			--
0018	VTVT24918	00024918	SCREW EI-ST 4X 4 UNI5927	1,00			--



Ref. K	Part n.	Customer part n.	Description	Quantity	Validity		Price
					From	To	
0001	MPVR31495	00031495	HANDLE PRT D. 3.5	1,00			--
0002	VTVT43875	00043875	SCREW TSPEI 4X40 UNI5933	1,00			--
0003	VTAE33674	00033674	CIRCLIP D. 22 UNI 7435	3,00			--
0004	LAFN49149	00049149	HOSE WIND.SUPP. IWD/2 SX	1,00			--
0005	MPVR39257	00039257	SPACER A.T PP	2,00			--
0006	VTVT29165	00029165	SCREW AF TCB-TC 5 X20 TL	8,00			--
0007	VTRS04924	00004924	WASHER D.23X 39	1,00			--
0008	MPVR37152	00037152	HOSE REEL PRT PP	2,00		30/09/2013	--
0008	MPVR40581		HOSE REEL PRT.ANM PP	2,00	01/10/2013		--
0010	VTVT39735	00039735	SCREW TCB-TC 5 X80 TL P/PLS	4,00			--
0011	LAFN48953	00048953	AXLE PRT 2V. 3PZ.	1,00	10/06/2003		--
0012	RCIN10577	00010577	MALE COUPLING 1/4MA	1,00			--
0012	VTDD04369	00004369	NUT M 4 TEF UNI 7473	1,00			--
0013	GUVR37665	00037665	ANTI-EXTR.RING D.17.8X22 X1.5 PTFE	2,00			--
0014	GUGO01032	00001032	O-RING D. 17.13 X 2.62 NBR 70SH	2,00			--
0015	RCDS37667	00037667	BLOCK PRT OT.	1,00		04/06/2010	--
0015	RCDS89862		BLOCK PRT-P237 G3/8 OT.	1,00	05/06/2010		--
0016	VTRS00514	00000514	WASHER D.10X30X11.4	1,00			--
0017	VTVT00454	00000454	SCREW TE 10X16	1,00			--
0018	RCDS00608	00000608	NIPPLE 3/8 - 1/4 SV	1,00		04/06/2010	--
0018	RCDS00610	00000610	NIPPLE 3/8 - 3/8 SV	1,00	05/06/2010		--
0019	TBAP25930	00025930	HOSE-FITTING 5/16 R2 L=630 0- 0° 3/8F	1,00			--
0020	RCIN03755	00003755	FEMALE COUPLIN. 3/8MB	1,00			--
0023	LAFN49147	00049147	HOSE WIND.SUPP. IWD/2 DX	1,00			--
0024	MPVR45822	00045822	BUSHING D.28-38/22.5 L=24.5 PVC N	1,00			--
0025	VTVT13797	00013797	SCREW TE 8X16 UNI8111 SW.FRM	4,00			--