

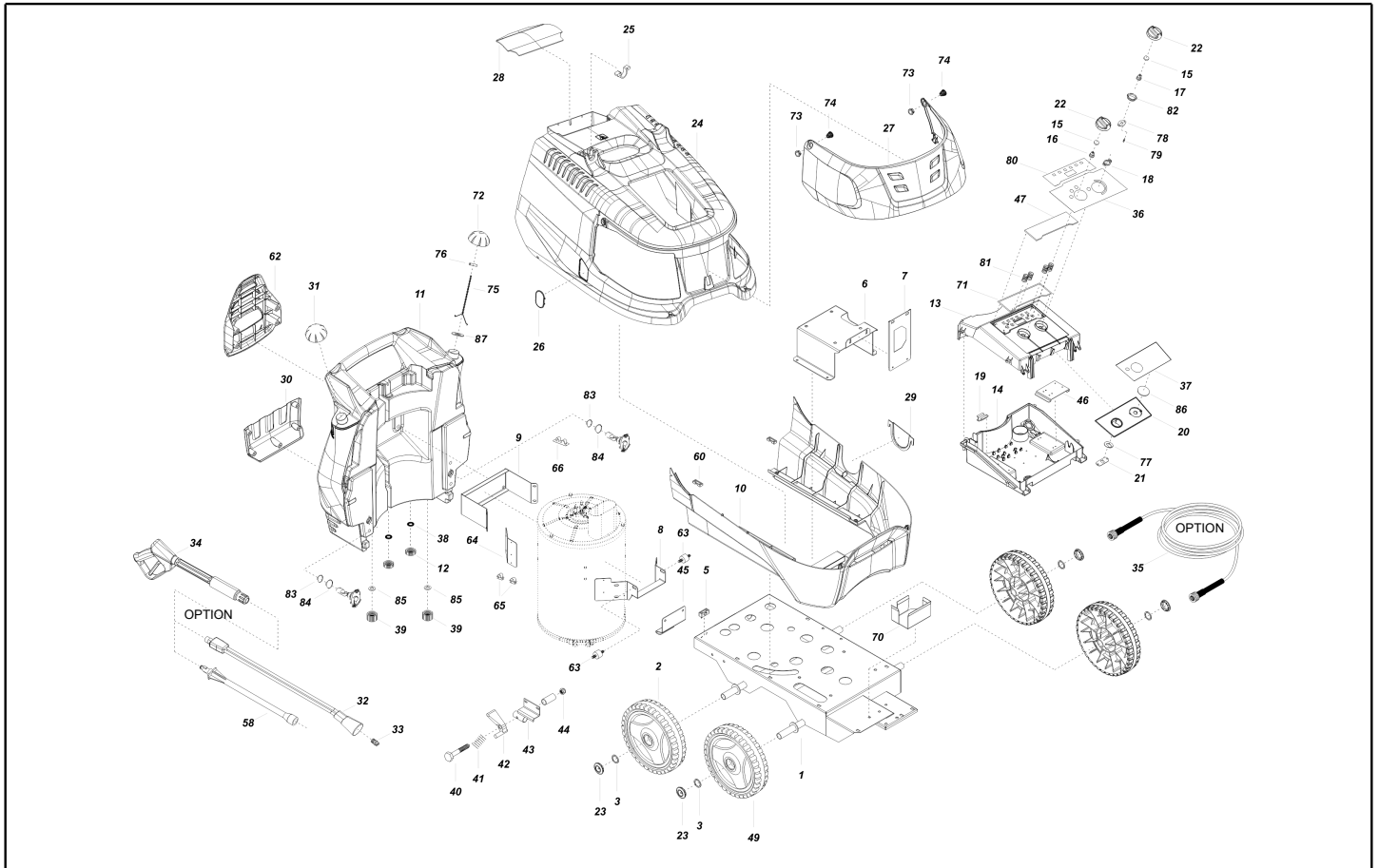


IPC

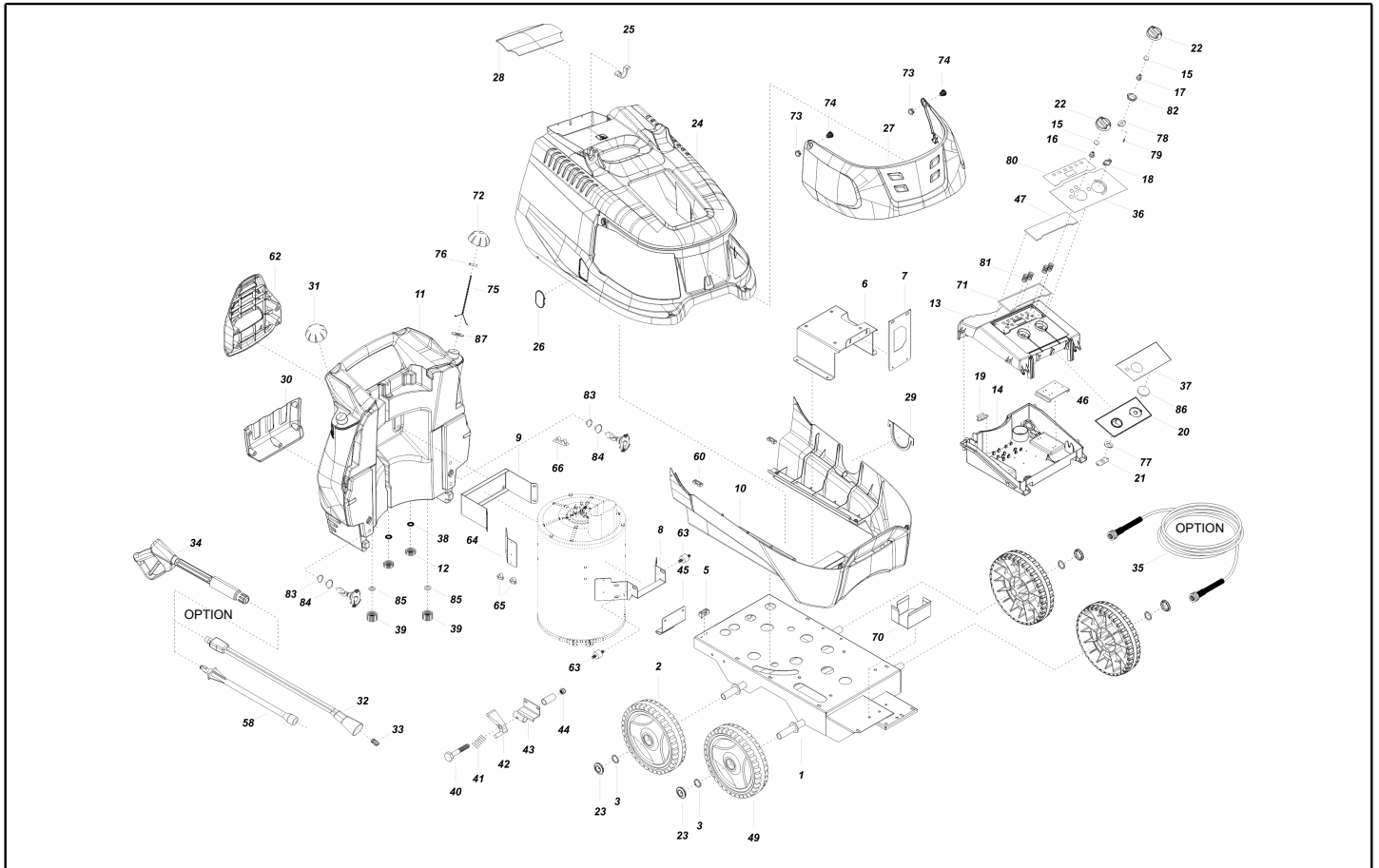
Spare parts list

Ref: IDAC41500

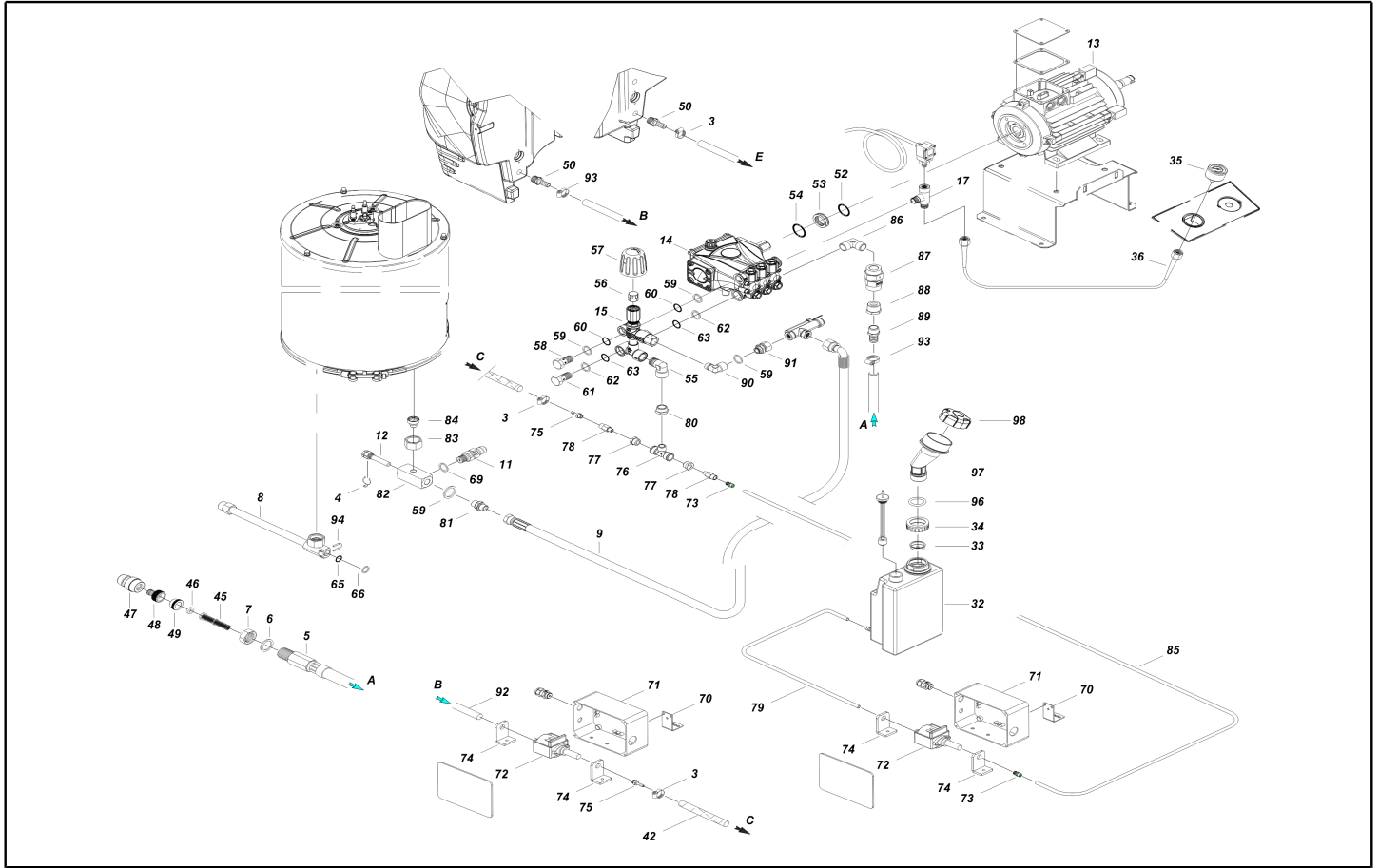
Model: H.P. CLEANER PW-H61/4P D1915P4T230/50N



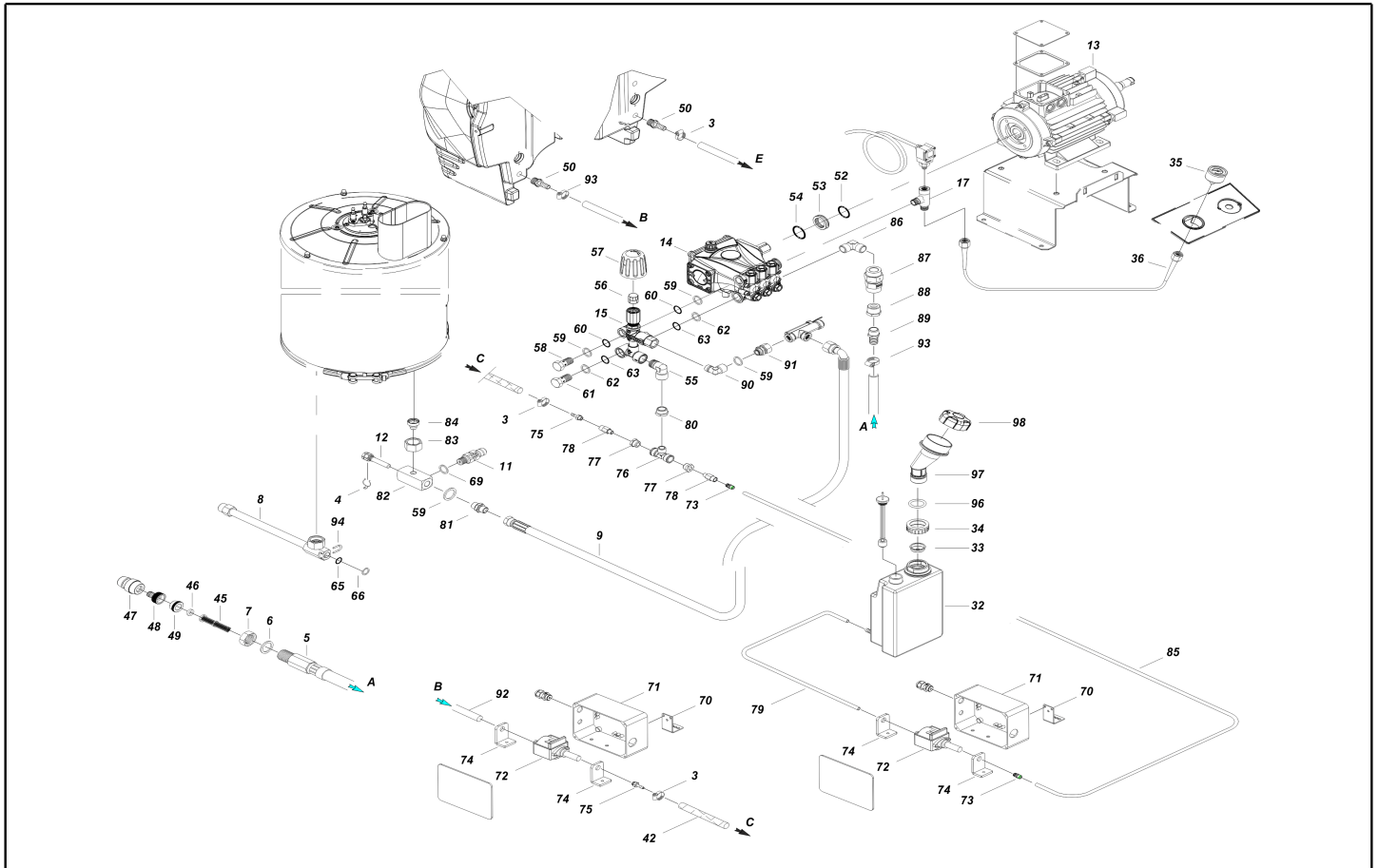
Ref. K	Part n.	Part n. 2	Description	Quantity	Validity		Price
					From	To	
0001	LAFN41358		TROLLEY PW-H61/4W 6.0HP BK.	1,00			--
0002	RTRT40066		WHEEL D.300-D.25 FLY-IPC/2 GRN	2,00			--
0003	VTRS09813		WASHER D.25	4,00			--
0005	MEVR20906		CABLE CLAMP KSM	1,00			--
0006	LAFN40550		MOTOR SUPPORT PW-H35 6.0Hp ZC.	1,00			--
0007	LAFN41366		SUPPORT PW-H61/6hp AN.ZC.	1,00			--
0008	LAFN40685		SUPPORT PW-H35/7.5 PS.ZC.	1,00		31/05/2023	--
0008	LAFN41369		SUPPORT PW-H61 PS.ZC.	1,00	01/06/2023		--
0009	LAFN40835		BRACKET PW-H35 PM.2 ZC	1,00			--
0010	MPVR41220		BLACK COVER PW-H101 INF.PP	1,00			--
0011	MPVR40519		TANK PW-H35 PEHD BK.	1,00			--
0012	PVVR11806		DISCHARGE CAP FLL	2,00			--
0013	MPVR41257		BOX COVER PW-H Plus ABS BK.	1,00			--
0014	MPVR41267		CONTROL BOX PW-H101/61 PLUS ABS	1,00			--
0015	GUGO25527		O-RING D. 14 X 3 NBR 70SH	2,00			--
0016	MPVR23482		TAIL PIECE TEC. TUV	1,00			--
0017	MPVR40776		TAIL PIECE THERM.PW-H28 ADV.	1,00		31/10/2016	--
0017	MPVR40843		TAIL PIECE THERM.PW-H PL.	1,00	01/11/2016		--
0018	MPVR41903		THICKNESS TERM.IM.PA66	1,00			--
0019	LAFN46067		SUPPORT L.60 P176	2,00			--
0020	MPVR40542		ANT. PANEL PW-H35 ABS BK.	1,00			--
0021	LAFN40922		JUNCTION BOARD PW-H35 D.14 ZC.	1,00			--
0022	MPVR49057		BLACK KNOB P176-M.RACE PA6	2,00			--
0023	MPVR40734		HUB CAP D.50 G-48/IPC GR.368C	4,00			--
0024	MPVR41224		GREEN COVER PW-H61 SUP. PP GR.368C	1,00			--
0024	FSVR62795		PLATE DI FISSAGGIO RPD0074	2,00			--
0025	MPVR40485		RUBBER PW-H35 15-20BK.	1,00			--
0025	MPVR40534		PIN PW-H35 PP BK.	2,00			--
0026	MPVR41227		DOOR PW-H61 PPL NT.	1,00			--
0027	MPVR41225		DOOR PW-H61 PPL NERO	1,00			--
0028	MPVR41226		DOOR PW-H61 PPL NERO	1,00			--
0029	MPVR40532		DOOR PW-H35 PPL BK.INF.	1,00			--
0030	MPVR40533		TOOL HOLDER PW-H35 PP BK.	1,00			--
0031	MPVR45426		TANK CAP P176 PEHD	1,00			--
0036	ETET41571		LABEL PW-H101/61 PLUS INF.	1,00			--
0037	ETET41550		LABEL PW-H FOMA IDRAUL.	1,00			--
0038	GUGO11489		GASKET D.22X1,5	2,00			--
0039	MPVR20187		RING NUT M 39 X 3	2,00			--
0040	VTVT14480		SCREW TE M 8X80 ZINC. UNI	1,00			--
0041	MLML11917		SPRING D. 14.5 X24 X2.2	1,00			--
0042	MPVR40751		TRIGGER H28/4W	1,00			--
0043	LAFN40762		BRACKET PW-H50/4W BK.	1,00			--
0044	VTDD00492		NUT M 8 ZINC	1,00			--
0045	LAFN40609		FOOT PW-H35/4W	1,00			--



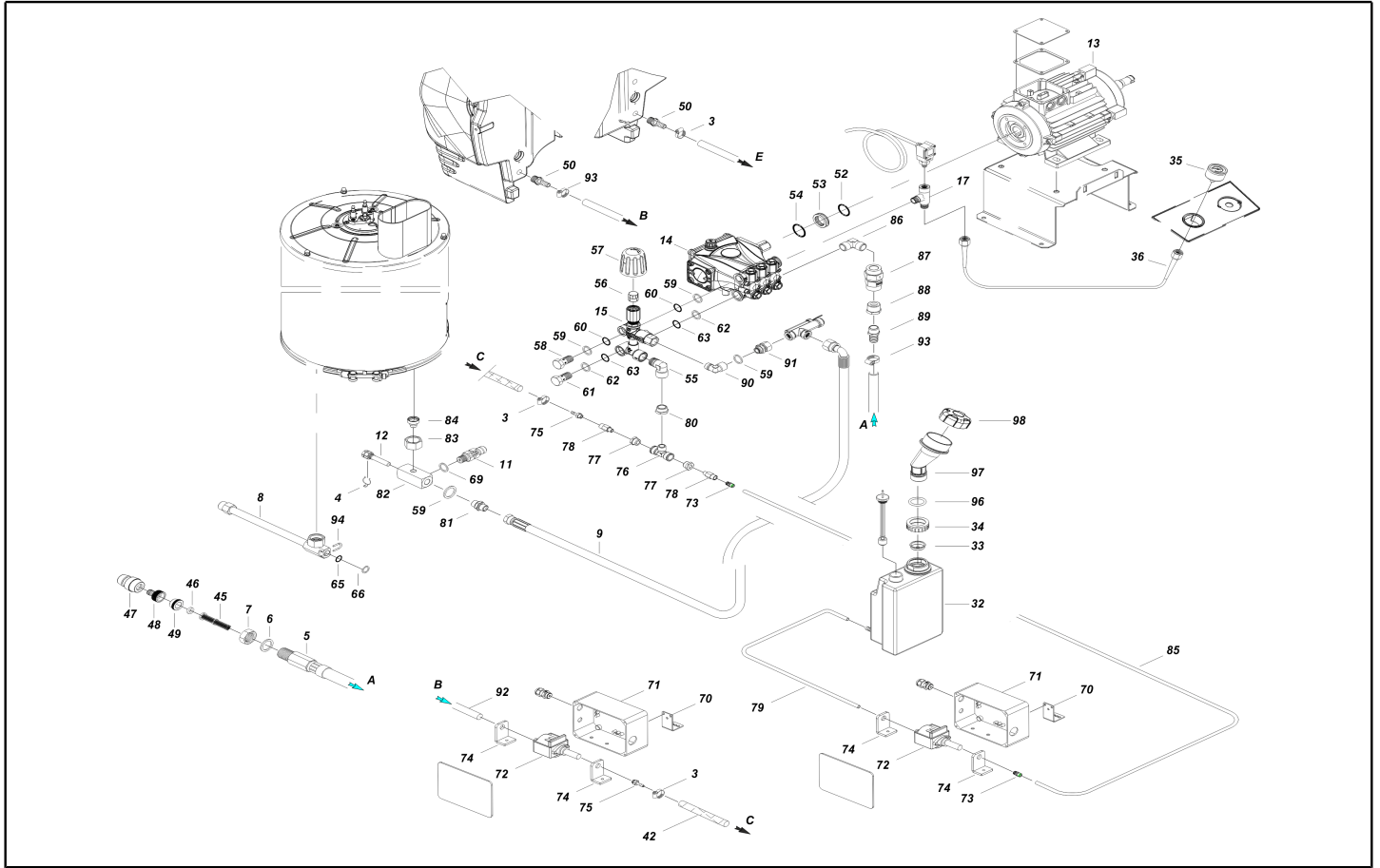
Ref. K	Part n.	Part n. 2	Description	Quantity	Validity		Price
					From	To	
0047	MPVR41253		PROTECTION PW-H PLUS POLIC.	1,00			--
0049	RTRT40068		WHEEL D.250-D.25X 65 IPC/2 GRN	2,00			--
0060	MPVR28554		CABLE FASTNER ELT	2,00			--
0060	VTVT13234		SCREW TCB-TC 3.5X19 NIK	4,00			--
0062	MPVR40701		HOSE SUPPORT PW-H35 PP BK.	1,00			--
0064	LAFN41364		SUPPORT BRACKET PW-H/Pls ZC.	1,00			--
0065	MEVR40294		CLIP HE.TYTON	2,00			--
0066	MEVR40027		CLIP D. 6.35 DB.	1,00			--
0070	LAFN40746		SUPPORT BRACKET PW-H100 ZC.	1,00			--
0071	GUGO40120		GASKET 248x 75 x2 POR300/60	1,00			--
0072	MPVR40401		TANK CAP P176 PEHD BL. C/F.	1,00			--
0073	MPVR41229		PIN PW-H61 EST.PP BK	2,00			--
0074	MPVR41230		PIN PW-H61 INT.PP BK	2,00			--
0075	VTVR40026		SMALL CHAIN 13MG. INX L=220 G.V-MSC.	1,00			--
0076	LAFN40498		PIN D. 6 X 12-15 IX	1,00			--
0077	LAFN40921		PLATE PW-H35 D.14 ZC.	1,00			--
0078	LAFN40763		PLATE PW-H28 POT. IX	1,00			--
0079	VTVR40014		PIN CH. 7 X 10 M4M/M4F NIK.	2,00			--
0080	ETET41546		LABEL PW-H61 PLUS SUP.	1,00			--
0081	MLML00518		SPRING TOUCH CT5	4,00			--
0082	LAFN40916		BUSHING D. 6- 9 L= 8 BZ.SINT.	1,00	01/11/2016		--
0083	GUGO01056		O-RING D. 18.72 X 2.62 NBR 70SH	2,00			--
0084	GUGO01197		O-RING D. 22.22 X 2.62 NBR 70SH	2,00			--
0085	GUGO40074		O-RING D. 37.47 X 5.34 NBR 70SH	2,00	01/06/2023		--
0086	MPVR40924		CAP PW-H35 PVC.BK	1,00			--
0087	VTRS07728		WASHER D. 6 INX	1,00			--



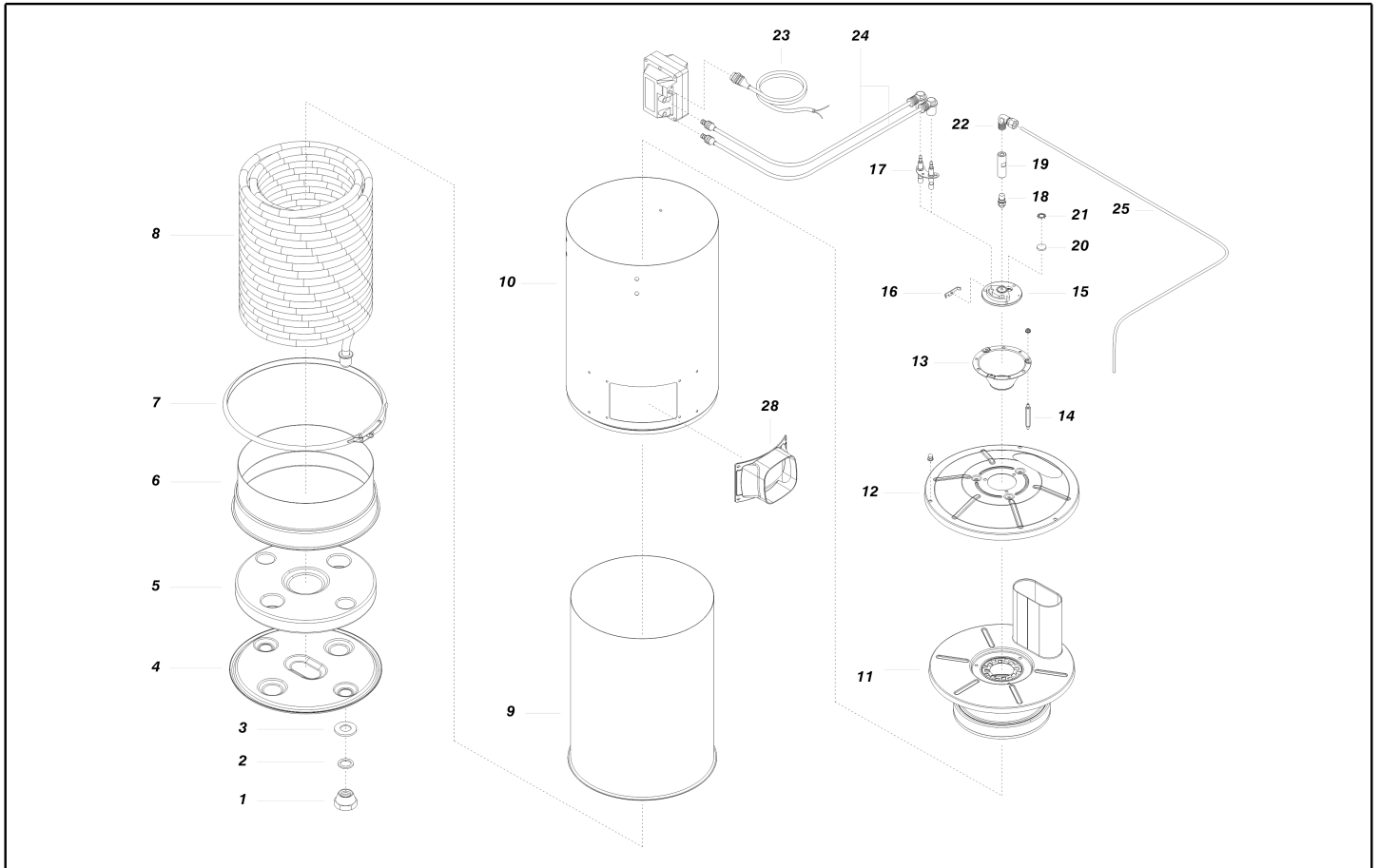
Ref. K	Part n.	Part n. 2	Description	Quantity	Validity		Price
					From	To	
0003	F5VR00427		CLAMP D. 12 CLIC 66-110	1,00			--
0003	F5VR00427		CLAMP D. 12 CLIC 66-110	1,00			--
0003	F5VR00427		CLAMP D. 12 CLIC 66-110	2,00			--
0004	MLML02623		SPRING IMT	1,00			--
0005	TBBP40178		L.P. HOSE L=890 1/2M 0°	1,00			--
0006	RCDS49875		RING NUT 1/2"X 6 CH.27 OT.	1,00			--
0007	VTRS00549		WASHER D.21,5X27X1.5 (1/2) RM	1,00			--
0008 S	RCDS21118		CONNECTOR KSM	1,00			--
0008 S	RCDS21119		NUT KSM	1,00			--
0008 S	RCDS40319		CONNECTOR G3/8F-1/4-P/NTC+2 M4 C.30	1,00			--
0008 S	RCDS40164		CONNECTOR L=285 2X3/8M CN. ZC.	1,00			--
0008 S	RCIN03753		MALE COUPLING M22-3/8 M-FA	1,00			--
0009	TBAP40259		HOSE-FITTING 5/16 R1 L=640 3/8F90-3/8F	1,00	01/07/2023		--
0011	VVSC47427		VALVE MG 1000 G1/4M-M D.8 250B	1,00	01/07/2023		--
0012	RCDS00593		SUMP IM 0-120 L=50	1,00	01/07/2023		--
0013	MOTR40069		3PH MOTOR H35 HP 6L 400-50 4P 180E	1,00			--
0014	PPAP40039		PUMP RC 14.16 DX N	1,00			--
0015	VVAZ40093		VALVE VRF-2 AR-R AC PPr S/LRG	1,00			--
0017	RCDS40177		CONNECTOR T 3/8M - 1/4 M/F OT. CN.	1,00			--
0032	MPVR40698		TANK KSM C/PE.	1,00			--
0033	MPVR18582		CAP D.22	1,00			--
0034	MPVR40739		TANK CAP KSM D.36.2	1,00			--
0035	MNMN93800		PRESSURE GAUGE 1/8 POST. 0-300 D.40 S/ST	1,00			--
0036	TBAP40113		POLYAMIDE HOSE L=420 1/4F GR.-1/8F MN.	1,00			--
0042	TBBP00051		DETERGENT HOSE D. 6-12	0,40			--
0045	FTAC30214		FILTER D.15X67	1,00			--
0046	GUGO37736		GASKET D. 10- 19 X 5 70SH	1,00			--
0047	RCVR29600		SOCKET PTC 3/4 F	1,00			--
0048	RCVR29602		CONNECTOR D. 1/2"-5/8" PTC	1,00			--
0049	RCVR37806		REDUCTION PTC 3/4-1/2 M/F	1,00			--
0050	RCVR40113		HOSE FITTING 1/8 M D. 5- 7 NIK	2,00			--
0052	GUGO21339		O-RING D. 29.82 X 2.62 VIT 70SH	1,00			--
0053	RCDS25578		BUSHING IP WW141 OT.	1,00			--
0054	GUGO21337		O-RING D. 25.07 X 2.62 VIT 70SH	1,00			--
0055	RCVR00575		ELBOW 1/2" M/F A10	1,00			--
0056	PVVR40273		ADAPTER VRF-2 RG.	1,00			--
0057	MPVR41241		BLACK KNOB VRF-2 IPC	1,00			--
0058	RCDS40172		SCREW 3/8 VRF-2 OT 4F.	1,00			--
0059	VTRS40960		WASHER D.13,5X19 X4 AL.	1,00	01/07/2023		--
0059	VTRS00548		WASHER D.17,5X23X1,5 (3/8)RM	2,00			--
0059	VTRS00548		WASHER D.17,5X23X1,5 (3/8)RM	1,00	01/07/2023		--
0059	VTRS00548		WASHER D.17,5X23X1,5 (3/8)RM	1,00			--
0060	GUGO03510		O-RING D. 12.37 X 2.62 NBR 70SH	2,00			--
0061	RCDS40171		SCREW G 1/2 VRF-2 OT. 2F.	1,00			--



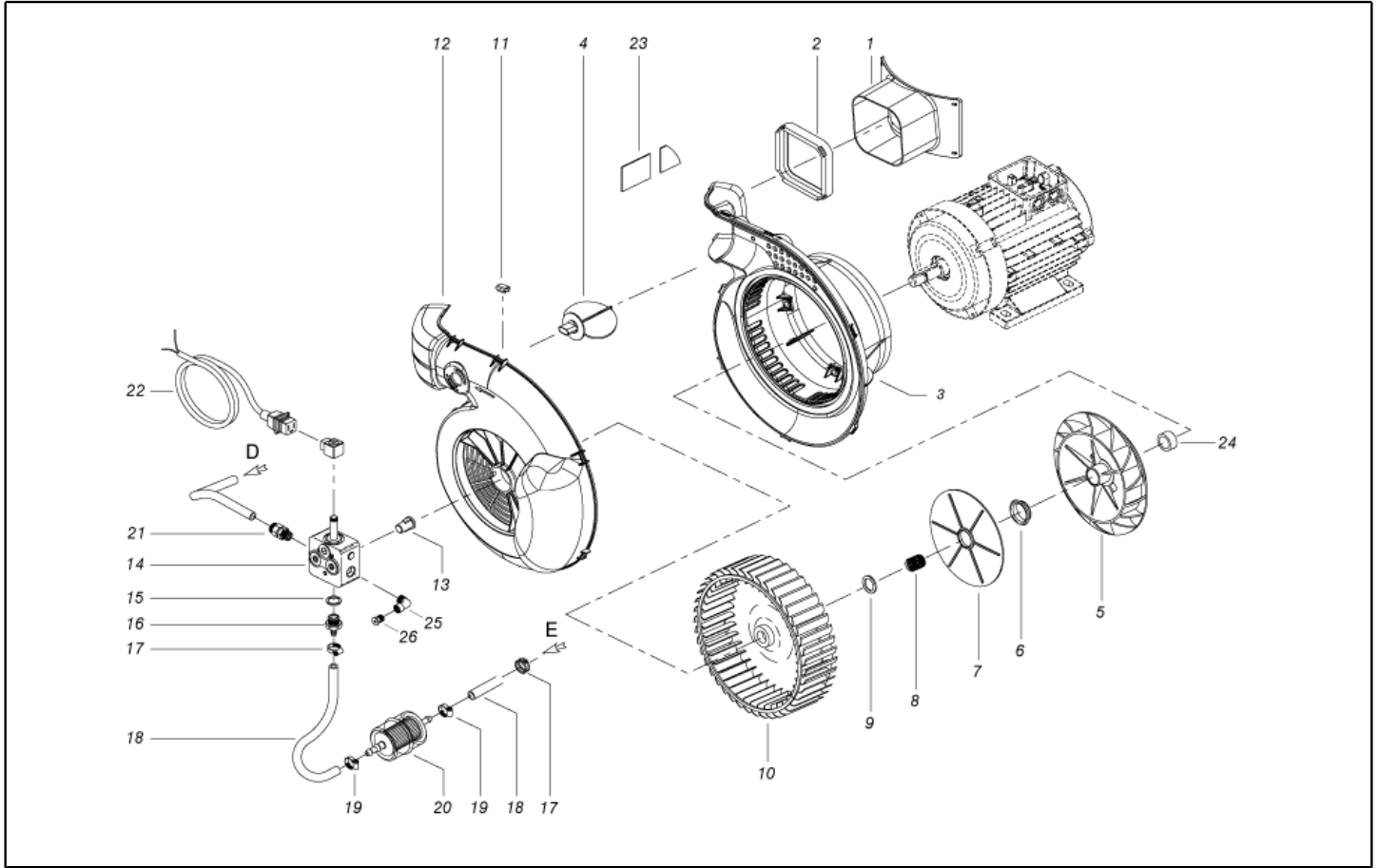
Ref. K	Part n.	Part n. 2	Description	Quantity	Validity		Price
					From	To	
0062	VTRS00549		WASHER D.21,5X27X1.5 (1/2) RM	1,00			--
0063	GUGO01048		O-RING D. 15.88 X 2.62 NBR 70SH	2,00			--
0065	GUGO27030		O-RING D. 6 X 3 VIT 70SH	1,00			--
0066	GUVR40089		ANTI-EXTR.RING D. 6.6X11.9X1.5 PTFE	1,00			--
0070	LAFN41352		SUPPORT DET.PUMP. PW-H101 ZN	1,00			--
0070	LAFN41352		SUPPORT DET.PUMP. PW-H101 ZN	1,00			--
0071	MEVR40323		CONTROL BOX GER. 150X110X75 H61/101	1,00			--
0071	MEVR40323		CONTROL BOX GER. 150X110X75 H61/101	1,00			--
0072	PPEL40002		PUMP BY-P.230V E 505/OT 1/8"F	1,00			--
0073	RCVR14043		CONNECTOR DTT 1/8"M C1 D. 6/ 4 NIK	1,00			--
0073	RCVR14043		CONNECTOR DTT 1/8"M C1 D. 6/ 4 NIK	1,00			--
0074	ABGO00010		SUPPORT ANTIVIBRANTE POMPA L15-20	2,00			--
0075	RCDS21900		HOSE FITTING 1/8 M D. 3- 7	1,00			--
0075	RCDS21900		HOSE FITTING 1/8 M D. 3- 7	1,00			--
0076	RCVR40121		CONNECTOR TEE 3/8 F/M/F A12	1,00			--
0077	RCVR03760		REDUCTION 3/8-1/8 M/F	2,00			--
0078	VVSF43615		VALVE 1/8M-F OT. VIT. 250°C	2,00			--
0079	TBBP85832		L.P. HOSE D. 5- 8	0,33			--
0080	RCVR02605		REDUCTION 1/2-3/8 M/F	1,00			--
0081	RCDS00610		NIPPLE 3/8 - 3/8 SV	1,00	01/07/2023		--
0082	RCDS40323		CONNECTOR G 1/2F -3/8F +2xG1/4F 30	1,00	01/07/2023		--
0083	RCDS21119		NUT KSM	1,00	01/07/2023		--
0084	RCDS21118		CONNECTOR KSM	1,00	01/07/2023		--
0085	TBBP11756		L.P. HOSE D. 4- 6 RILSAN NTR	0,26			--
0086	RCVR40153		ELBOW 3/4"-1/2" M OT.	1,00			--
0087	VVSF40026		VALVE 3/4 F/F CK100 220bar	1,00			--
0088	RCVR40042		REDUCTION 3/4-1/2 M/F NIK	1,00			--
0089	RCVR73008		HOSE FITTING 1/2 D.17 454/A	1,00			--
0090	RCVR40158		ELBOW 3/8"-3/8" M/F A.P.Ch OTT.	1,00			--
0091	RCVR00563		SWIVEL RACCORD 3/8 M/F	1,00			--
0092	TBBP93804		L.P. HOSE D. 6- 9	0,35			--
0093	FSVR11957		CLAMP D. 9.5-12 CLIC	1,00			--
0093	FSVR11957		CLAMP D. 9.5-12 CLIC	1,00			--
0094	LAFN40832		PLUG *U* SIST.NTC PW-H INX	1,00			--
0096	GUGO89386		O-RING D. 30 X 5 NBR 70SH	1,00			--
0097	MPVR41240		MANIFOLD A.CLCL PW-H61 PP NT.	1,00			--
0098	MPVR40187		TANK CAP P215 PEHD C/F.	1,00			--



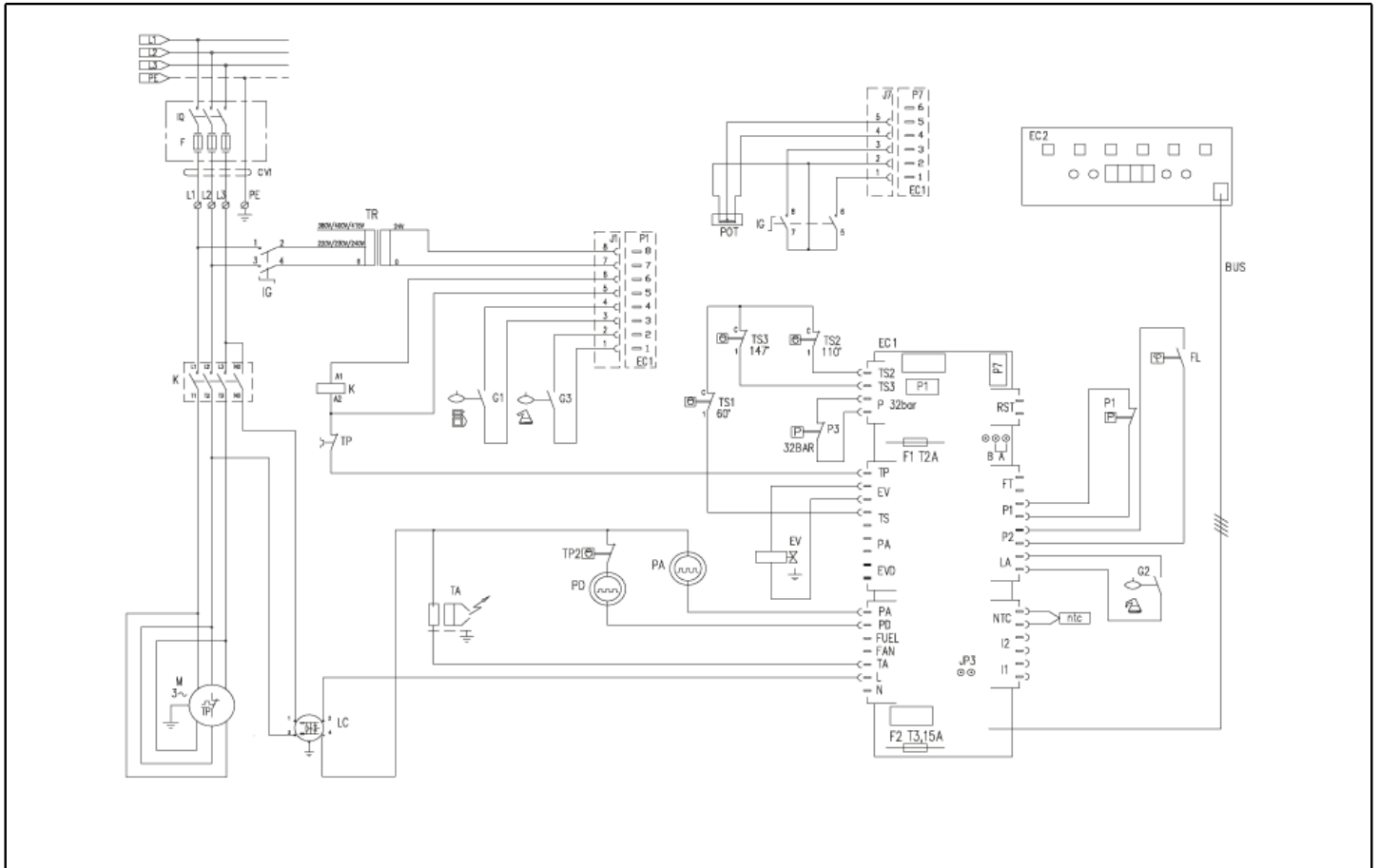
Ref. Part n.	Part n. 2	Description	Reference	Price
KTRI40257		KIT P 13- 9 PW-H35/PM	0008 0008 0008 0008 0008	--



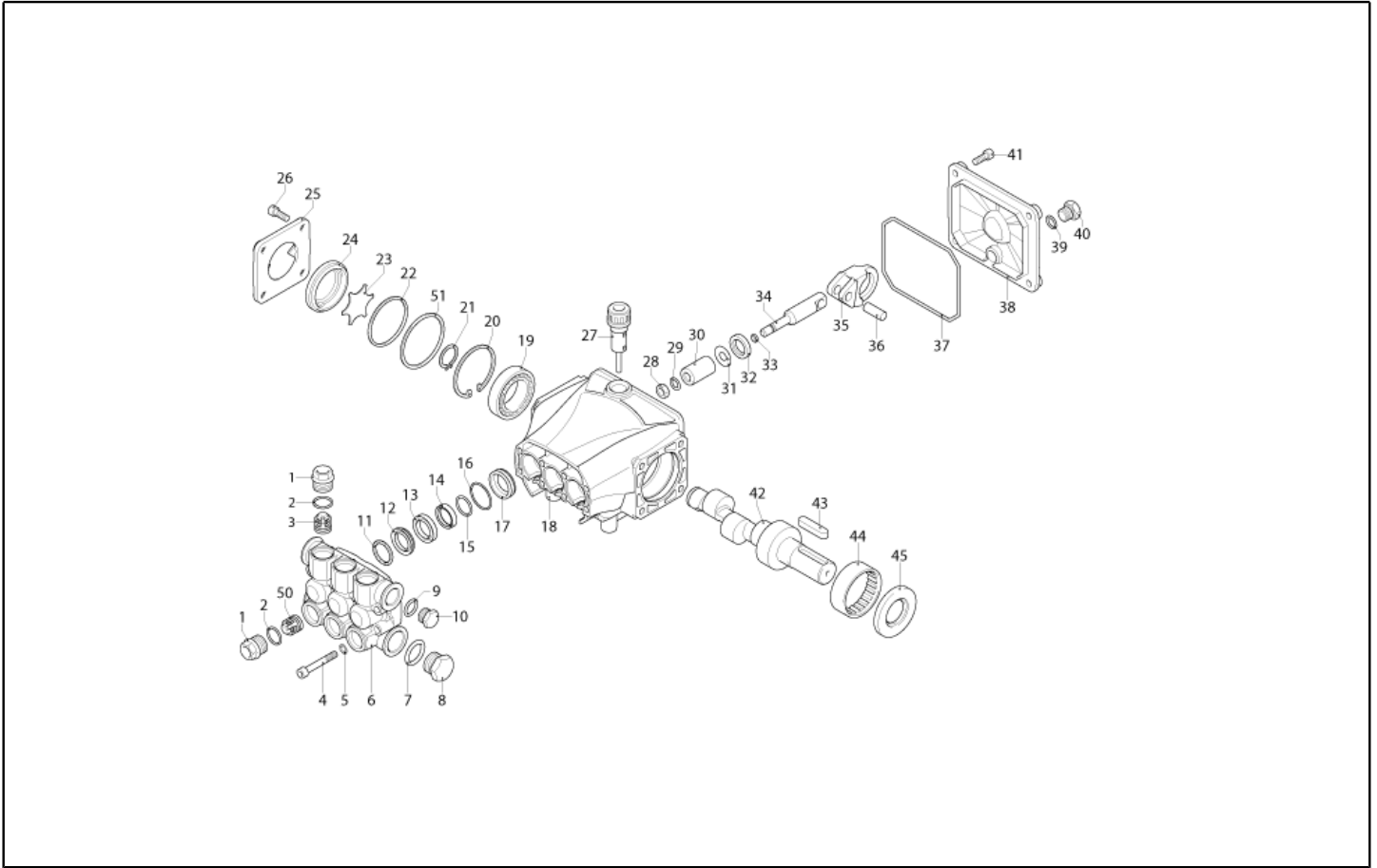
Ref. K	Part n.	Part n. 2	Description	Quantity	Validity		Price
					From	To	
0001	RCDS21120		RING NUT M 26 X 1,5	2,00			--
0002	GUGO21222		O-RING D. 15.54 X 2.62 VIT 80SH	2,00			--
0003	GUVR21021		ANTI-EXTR.RING D. 21 X17 TEF.	2,00			--
0004	LAFN44149		BOILER BOTTOM P176	1,00			--
0005	ITTE44175		BOTTOM P176 C.TE	1,00			--
0006	LAFN44151		BAND P176 INX	1,00			--
0007	LAFN40037		RING D.342 P176 ZN 2V.CPL.	1,00			--
0008	LAGR44154		DOUBLE COIL M26X1.5 P176 30MT	1,00			--
0009	LASL40101		INT. CYLINDER PM INX	1,00			--
0010	LAFN41354		EXT. CYLINDER PM-H61 INX	1,00			--
0011	LAFN40269		BOILER COVER SI PM INX	1,00			--
0012	LAFN40270		BOILER COVER SE PM INX	1,00			--
0013	LAFN44244		BAFFLE P176 30M INX	1,00			--
0014	LAFN40271		PIN CH.10 X 67.7 M5M/M5M PM	3,00			--
0015	MFVR18226		ELECTR.HOLDER FUT 3°V	1,00			--
0016	LAFN07641		PLATE INX	1,00			--
0017	MECA12525		ELECTRODE FUT	1,00			--
0018	UGBR22576		BURNER NOZZLE 1.35 60 S	1,00			--
0019	RCDS07642		NOZZLE HOLDER FUT	1,00			--
0020	MPVR18228		OIL WARN-LIGHT D.17 X3	1,00			--
0021	VTAE22633		SEEGER 0.4 X18,30X10,5	1,00			--
0022	RCVR40228		CONNECTOR L 1/8" M D. 4 +OR NBR N	1,00			--
0023	MECB34463		CABLE BT L=800 SP. FD	1,00			--
0024	MECV35335		CABLE A.T. 9,8-23KOHMM L= 500P	2,00			--
0025	TBBP00123		TUBE RILSAN D. 2- 4 NT.	0,53			--



Ref. K	Part n.	Part n. 2	Description	Quantity	Validity		Price
					From	To	
0001	MPVR88426		CONVEYOR P176 PA6 BK.	1,00			--
0002	GUGO88425		GASKET P245 EPDM	1,00			--
0003	MPVR45488		SCROLL BODY P176 PP	1,00			--
0004	MPVR45445		BUTTERFLY VALVE P176 PP	1,00			--
0005	VEVR45443		MOTOR FAN P176 H 100	1,00			--
0006	LAFN45783		BUSHING D. 30 P176	1,00			--
0007	MPVR45444		SEPARATOR P176 ABS	1,00			--
0008	VTVR45002		BUSHING D. 17-19X19 CPS.	1,00			--
0009	VTAE33647		CIRCLIP D. 19 UNI 7435	1,00			--
0010	VEVR88781		IMPELLER P176 D.240 43P. 2V. PA6	1,00			--
0011	VTVR20127		CLIP KSM	8,00			--
0012	MPVR45489		VENTILATOR COV. P176 ABS	1,00			--
0013	FGGT36513		JOINT HP 0.25 AACO	1,00			--
0014	PPGS40004		FUEL PUMP DNF BFA 01R5L1	1,00			--
0015	VTRS04931		WASHER COPPER D.13X19X1.5	1,00			--
0016	RCDS00626		HOSE FITTING 1/4 M D. 5- 7	1,00			--
0018	TBCO06945		L.P. HOSE D. 6-12 10BAR C.PRESS	0,32			--
0018	TBCO06945		L.P. HOSE D. 6-12 10BAR C.PRESS	0,17			--
0019	FSVR11197		CLAMP D.12.9-13.6	2,00			--
0020	FTCO10912		FILTER FB 13/T NYL.	1,00			--
0021	RCVR40229		CONNECTOR DTT 1/8" M D. 4 +OR NBR N	1,00			--
0022	MECB46130		CABLE DLT L=1100	1,00			--
0025	RCVR34780		ELBOW 1/8" M/F A10	1,00			--
0026	RCVR89230		CAP G 1/8 M C/O-RING.	1,00			--



Ref. K	Part n.	Part n. 2	Description	Quantity	Validity		Price
					From	To	
K	METT40019		CONTACTOR SIE 3RT 2025-1AC20 24V	1,00			--
EV	MEBE43704		COIL DNF 24-50	1,00			--
FL	MEPF40051		FLOW SWITCH FS-26 3/8" M 2.0L/M OT.	1,00			--
G2	MECI34444		SWITCH REED N.C.H185 L=1300	1,00			--
IG	MECI40065		COMMUTAT.SWITCH BRM 0-1/4 BIP. 12A V493	1,00			--
LC	MECE46138		FILTER LC RFI 250V 10A	1,00			--
P1	MEPF40059		PRESSURE SWITCH PS2 G1/8M 25BAR	1,00			--
P3	MEPF40069		PRESSURE SWITCH PS2 G1/4M 32BAR	1,00			--
TA	METR88630		TRANSFORMER 23/240V-5/60HZ 2X26KV TR.	1,00			--
TR	METR41580		TRANSFORMER 50VA 400-230/50V	1,00			--
CV1	MECB17414		CABLE H07 RNF 4X2.5 L=6.500	1,00			--
EC1	MECE40113		PCB PW-H PLS. TSI+CO	1,00			--
EC1	MECE40030		CABLE CLAMPING SHUNT 2.54	1,00			--
EC2	MECE40111		DISPLAY PW-H PLS. +CTR.LED	1,00			--
NTC	MEVR40298		PROBE NTC/10K 3435 GLS.TY. CN.	1,00			--
POT	MEVR40149		POTENTIOMETER VSH P11S1V0FLSY 5/10K LN.	1,00			--
TS1	METK34839		THERMOSTAT 60°C TU V ST T.F. C.1.5	1,00			--
TS2	METK43604		KLIKSON UP62 110°C	1,00			--
TS2	METK40021		THERMOSTAT 110°C TK24-T02 16A 250V	1,00			--
TS3	METK40026		THERMOSTAT 147°C TK24-T02 16A 250V	1,00			--
G1,3	MECI40006		SENSOR LEVEL S1.PML.XD.FPJ FST.	2,00			--



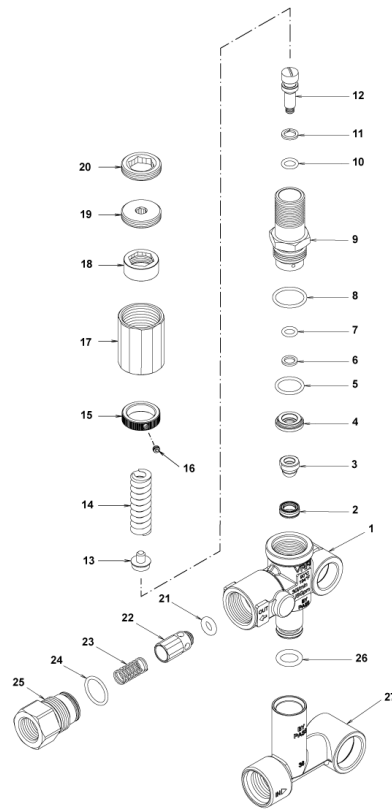
Ref. K	Part n.	Part n. 2	Description	Quantity	Validity		Price
					From	To	
0001	PVVR40120		CAP AR RC	6,00			--
0002	GUGO03505		O-RING D. 15.6 X 1.78 NBR 70SH	6,00			--
0003	S VVAM40002		VALVE UNIT RC	6,00		31/07/2012	--
0003	S VVAM40002		VALVE UNIT RC	3,00	01/08/2012		--
0004	VTVT06236		SCREW TCCE UNI 5931 6X40 ZB	8,00			--
0005	VTRS01077		WASHER D. 6.4X10X0,7	8,00			--
0006	MFVR40019		HEAD AR RC OT.	1,00			--
0007	GUGO19245		O-RING D. 17.5 X 2 NBR 70SH	1,00			--
0008	PVVR40121		CAP 1/2 M RC	1,00			--
0009	GUGO09720		O-RING D. 14 X 1.78 NBR 70SH	1,00			--
0010	PVVR40099		CAP 3/8 M HRM	1,00			--
0011	S PVVR40122		HEAD RING D. 18 RC	3,00			--
0012	S GUVR40035		PACKING D. 18 RC H.P.	3,00			--
0013	PVVR40123		INTERMED. RING D. 18 RC	3,00			--
0014	S GUVR40036		PACKING D. 18 RC L.P.	3,00			--
0015	S GUVR40037		ANTI-EXTR.RING D.21	3,00			--
0016	S GUGO19290		O-RING D. 23.52 X 1.78 NBR 70SH	3,00		31/03/2014	--
0016	S GUGO08182		O-RING D. 21.91 X 1.78 NBR 70SH	3,00	01/04/2014		--
0017	PVVR40124		PACKING RETAIN. D. 18 RC	3,00			--
0018	MFVR40020		PUMP CRANKCASE AR RC	1,00		31/03/2014	--
0018	MFVR40027		PUMP CRANKCASE AR RCS	1,00	01/04/2014		--
0019	CUVR28336		BALL BEARING 6304	1,00			--
0020	VTAE09661		CIRCLIP D. 52 UNI 7437	1,00			--
0021	VTAE06193		CIRCLIP D. 20 UNI 7435	1,00			--
0022	GUGO02561		O-RING D. 47.3 X 2.62 NBR 70SH	1,00			--
0023	PVVR40125		DISC RC	1,00		31/03/2016	--
0023	PVVR40472		OIL INDICATOR RC CPL.	1,00	01/04/2016		--
0024	PVVR40126		OIL INDICATOR RC	1,00		31/03/2016	--
0025	MFVR40021		CRANKCASE COVER AR RC LT.	1,00			--
0026	VTVT01531		SCREW TE 6X 16 UNI 5739	4,00			--
0027	PVVR19231		OIL CAP XTS	1,00		31/03/2014	--
0027	PVVR40436		OIL CAP RC	1,00	01/04/2014		--
0028	VTDD00483		NUT M 8 ZIN UNI 5588	3,00			--
0029	VTRS19394		WASHER D. 8X13X0,5	3,00			--
0030	S PIVR40005		PISTON D.18X30 RC	3,00			--
0031	PVVR19233		DISC XTS	3,00			--
0032	S GUGO09690		OIL SEAL 15X 24X 5 NBR70	3,00			--
0033	GUGO08071		O-RING D. 4.48 X 1.78 NBR 70SH	3,00			--
0034	PVVR40127		PISTON GUIDE RC	3,00			--
0035	BLVR40001		CONNECTING ROD RC	3,00			--
0036	PVVR40128		GUDGEON D. 9X23 RC	3,00			--
0037	GUGO18695		O-RING D. 101.27 X 2.62 NBR 70SH	1,00			--
0038	MFVR40022		CRANKCASE COVER AR RC	1,00			--
0039	GUGO01036		O-RING D. 10.82 X 1.78 NBR 70SH	1,00			--



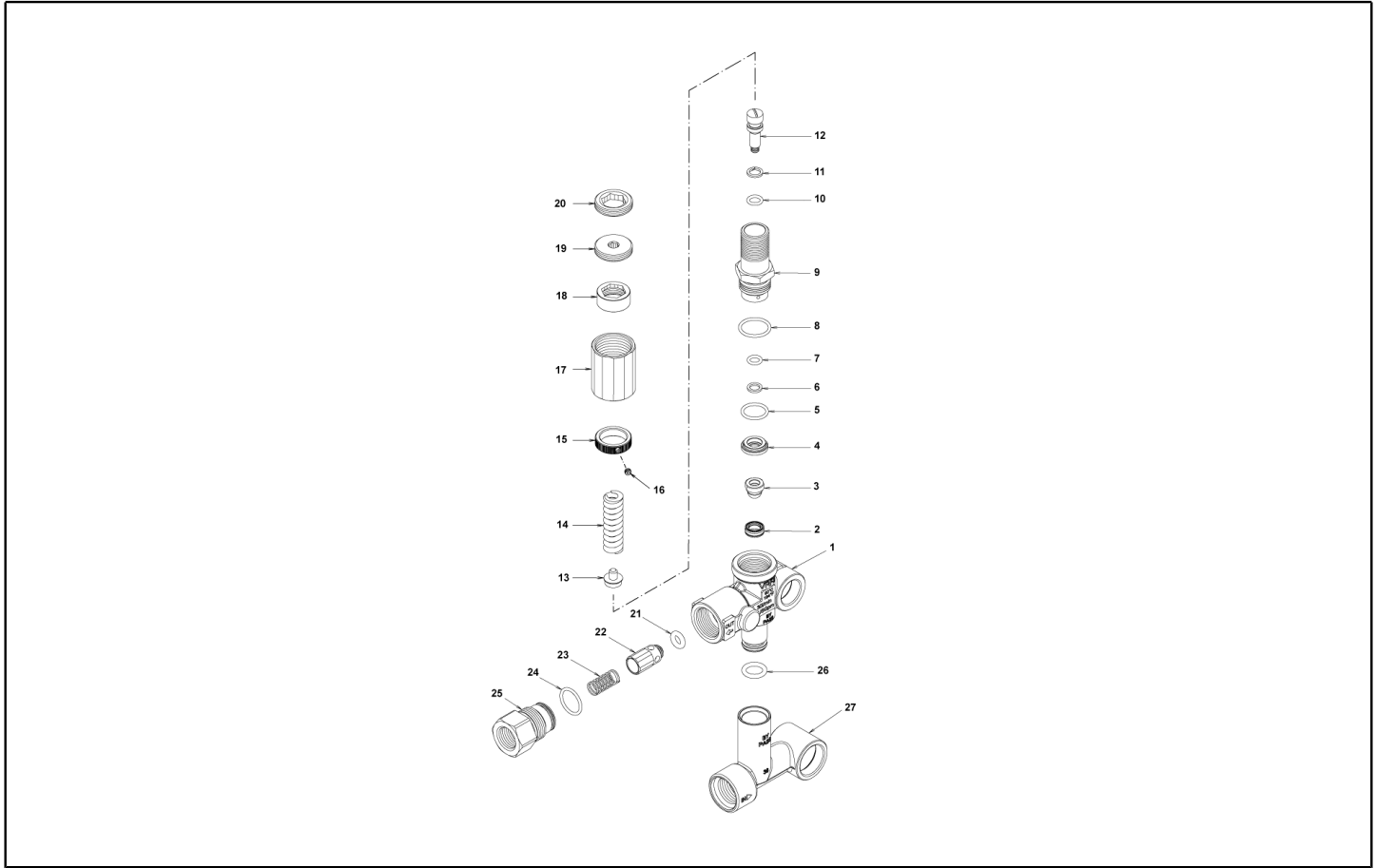
Ref. K	Part n.	Part n. 2	Description	Quantity	Validity		Price
					From	To	
0040	PVVR40129		CAP 1/4 M RC	1,00			--
0041	VTVT09913		SCREW TCEI 6X16 UNI5931	4,00			--
0042	ALMO40006		SHAFT AR RC 14LT VRS. N	1,00			--
0043	VTVR41531		KEY 8X 7X35 UNI 6604A	1,00			--
0044	CUVR23636		ROLLER BEARING HK 4516	1,00			--
0045	S GUGO00999		OIL SEAL 25X 52X 7 NBR70	1,00			--
0050	S VVAM40007		VALVE UNIT RC ASP. BK	3,00	01/08/2012		--
0051	PVVR40437		RING D. 51.8 X0.5	1,00	01/04/2014		--



Ref. Part n.	Part n. 2	Description	Reference	Price
KTRI40092		KIT P 15-2186 RC	0003	--
KTRI40093		KIT P 15-42917 RC	0030	--
KTRI40094		KIT P 15-42919 D.18 RC	0012 0014 0015 0016	--
KTRI40095		KIT P 15-42903 D.18 RC	0011	--
KTRI40096		KIT P 15-42918 RC	0032 0045	--
KTRI40207		KIT P 15-42914 RC 3+3 BL./WH.	0003 0050	--



Ref. K	Part n.	Part n. 2	Description	Quantity	Validity		Price
					From	To	
0001	PVVR40375		VALVE BODY VRF2 +G1/8 F	1,00			--
0002	S	PVVR40363	VALVE SEAT MV124 +OR	1,00			--
0003	S	PVVR40364	COUPLING MV124	1,00			--
0004	S	PVVR40365	SPACER MV124	1,00			--
0005	S	GUGO12322	O-RING D. 14 X 1.78 NBR 90SH	1,00			--
0006	S	GUVR40072	ANTI-EXTR.RING D. 6.5X 9.4	1,00			--
0007	S	GUGO83861	O-RING D. 6.07 X 1.78 NBR 90SH	1,00			--
0008	S	GUGO24913	O-RING D. 17.17 X 1.78 NBR 90SH	1,00			--
0009	S	PVVR40388	CONNECTOR VRF2 RG.165 56A	1,00			--
0010	S	GUGO03500	O-RING D. 6.75 X 1.78 NBR 70SH	1,00			--
0011	S	GUVR40073	ANTI-EXTR.RING D. 7.1X10 X1.2 TBT	1,00			--
0012	S	PVVR40367	SMALL PISTON D.10 VRF2	1,00			--
0013	S	PVVR40368	SPRING PLATE MV124 25B	1,00			--
0014	S	MLML47987	SPRING D. 3.25X41.1 MV 625	1,00			--
0015	S	PVVR40369	RING NUT MV167.09	1,00			--
0016	S	VTVT89696	SCREW EI-ST 4X 4 UNI5927 ZC	1,00			--
0017	S	PVVR47989	CAP MV 625 REG.	1,00			--
0018	S	PVVR47990	RING NUT MV 625 REG.	1,00			--
0019	S	PVVR47991	REGISTER MV 625 REG.	1,00			--
0020	S	PVVR47992	CLAMP MV 625 REG.	1,00			--
0021	S	GUGO46053	O-RING D. 6 X 3 NBR 90SH	1,00			--
0022		PVVR40349	COUPLING VRT3	1,00			--
0023		MLML40026	SPRING VRT3	1,00			--
0024	S	GUGO12321	O-RING D. 15.6 X 1.78 NBR 90SH	1,00			--
0025		PVVR40350	CONNECTOR VRT3 G 3/8F	1,00			--
0026		GUGO11225	O-RING D. 10.78 X 2.62 NBR 70SH	1,00			--
0027		PVVR40373	CONNECTOR VRF2.24	1,00			--



Ref. Part n.	Part n. 2	Description	Reference	Price
KTRI40237		KIT P 14-104 SET GUARNIZIONI	0002 0003 0005 0006 0007 0008 0010 0011 0021 0024	--
KTRI40256		KIT P 14-105 VRF2 Reg.	0002 0003 0004 0005 0006 0007 0008 0009 0010 0011 0012 0013 0014 0015 0016 0017 0018 0019 0020	--