

IPC

Spare parts list

Ref: ASDO15121

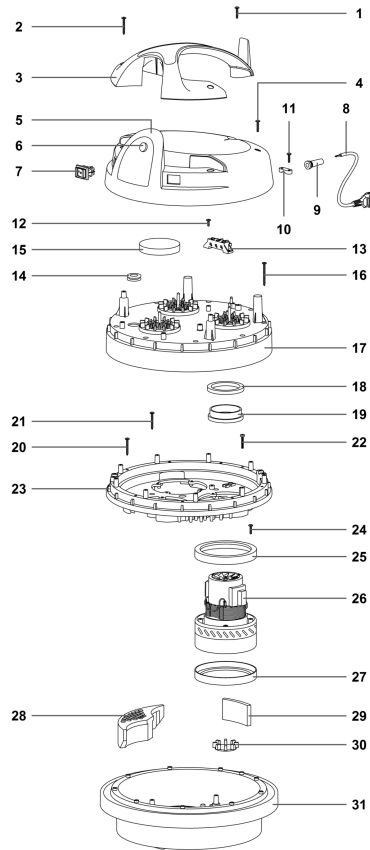
Model: VACUUM CLEANER GS3 MAXIBAG TOPPER 440 MB



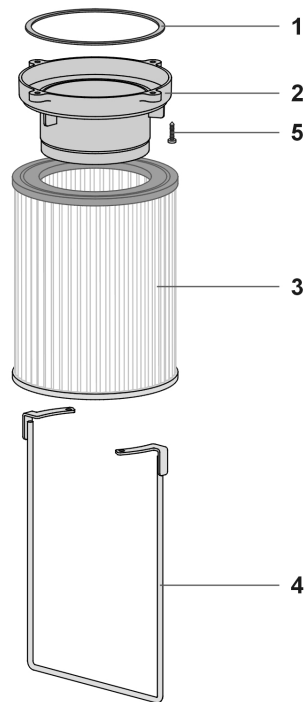
IPC Integrated Professional Cleaning

IPC Soteco

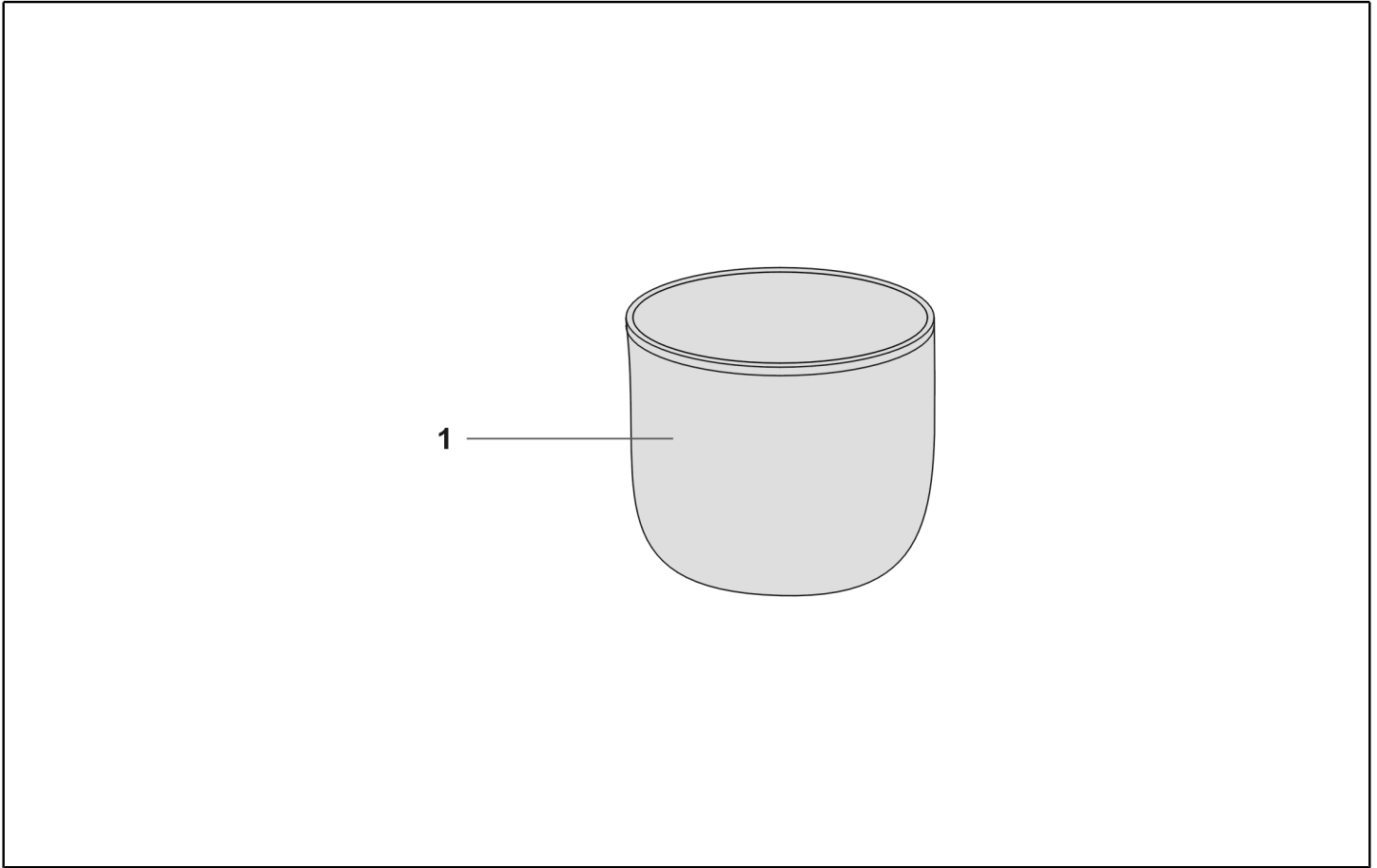
Ref. K	Part n.	Part n. 2	Description	Quantity	Validity		Price
					From	To	
0001	PMTA08601		HEAD TOPPER 440 2ST SL VEI/NE	1,00			--
0002	KTRIO2724		FILTERING KIT PULSAR POLY W/STIRRUP	1,00			--
0003	FTDP00223		PCARBON FILTER 400/600 H=580 L=640	1,00			--
0004	PMFU00161		TANK MAXIBAG 400 AISI 430 COMP	1,00			--
0005	CARR01385		TROLLEY MAXIBAG 400/600 COMPL.	1,00			--



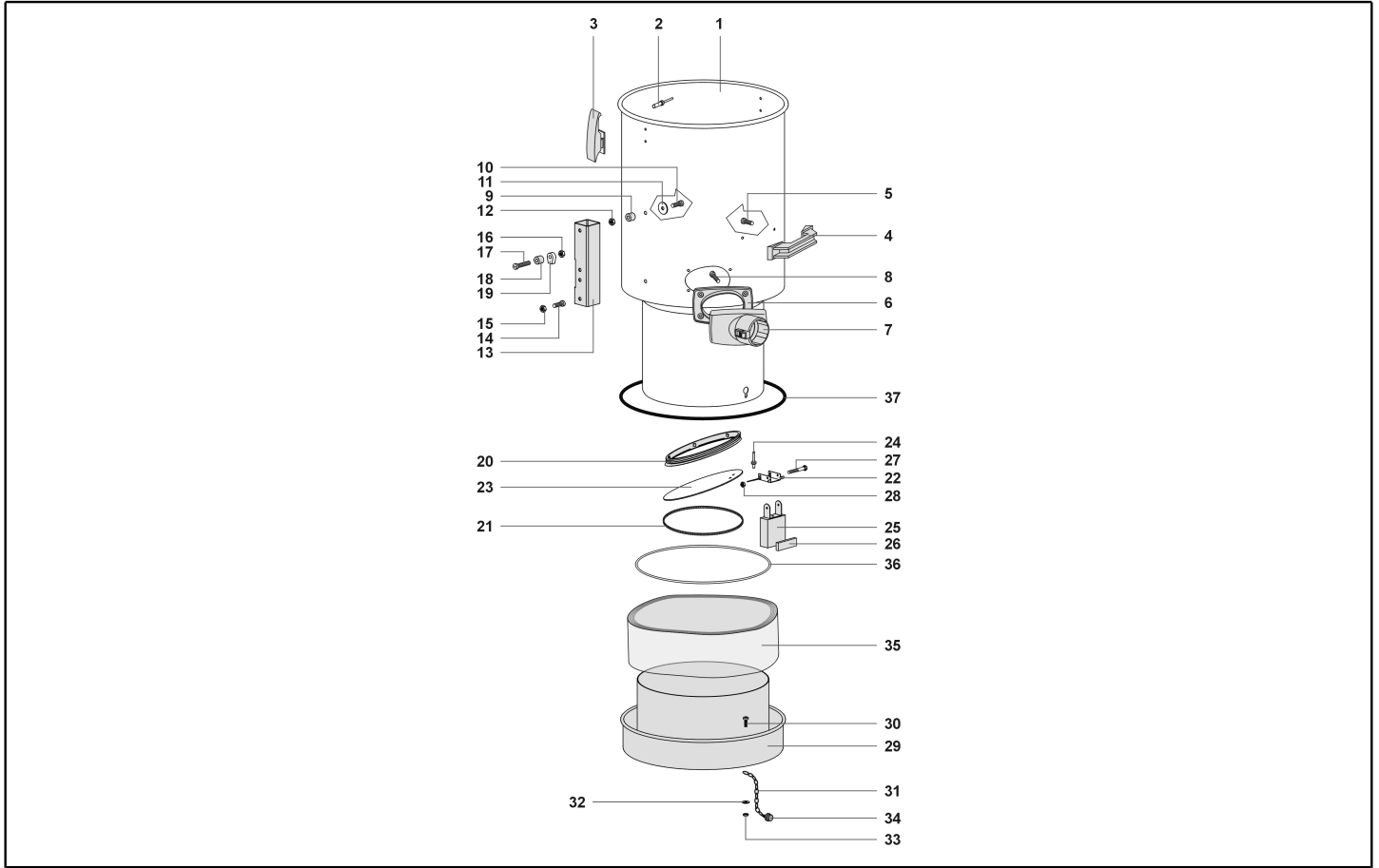
Ref. K	Part n.	Part n. 2	Description	Quantity	Validity		Price
					From	To	
*	MECB01826		WIRING 50CM MOTORE POKE-IN-TP	3,00			--
*	FSVR00127		CLAMP	4,00			--
*	MECB35712		WIRE WITH RESISTANCE	1,00			--
0001	VTVT71961		SCREW PFU TMT PHL 5X20 ZN NERA	1,00			--
0002	VTVT72106		SCREW PAT TMT PHL 5X40 BLACK	2,00			--
0003	MPVR08307		HANDLE TOPPER 600 GREEN IPC	1,00			--
0004	VTVT72055		SCREW PFU TMT PHL 5X25 ZN BLACK	2,00			--
0005	PMVR06390		COVER TOPPER 600 NE 3INT+SL	1,00			--
0006	MELF00068		WARN.LIGHT GR. YE WIR/DIRTY	1,00			--
0007	MECI28744		ANTISPLASH RED LIGHT SWITCHER	3,00			--
0008	MECB31445		ELECTRIC CORD 2X1,5 MT.8,5	1,00			--
0009	MEVR28673		FAIRLEAD	1,00			--
0010	MPVR28690		CABLE CLAMP	1,00			--
0011	VTVT71961		SCREW PFU TMT PHL 5X20 ZN NERA	1,00			--
0012	VTVT71960		SCREW SCREW PAT TMT PHL 5X14 ZN	2,00			--
0013	MEVR02008		TERM.BOARD 400-600 3MOT.RAD	1,00			--
0014	MEVR72017		GUIDING SLIT FOR QUICK COUPLING	1,00			--
0015	FTDP38064		FILTER MTP/65 H=15 D.95	3,00			--
0016	VTVT40007		SCREW PAT TMT PHL 5X55 BLACK	9,00			--
0017	MPVR08519		COVERING 600 GREEN IPC	1,00			--
0018	MPVR38371		WASHER H8 D85X65	3,00			--
0019	MPVR86282		RING MOTORE H=7 (15) PLAST.	3,00			--
0020	VTVT72106		SCREW PAT TMT PHL 5X40 BLACK	9,00			--
0021	VTVT72106		SCREW PAT TMT PHL 5X40 BLACK	3,00			--
0022	VTVT01181		SCREW TC CROSS M 5X30 UNI 7687	1,00			--
0023	PMVR06299		MOTOR SUPPORT NEV. 600 X SL NE	1,00			--
0024	VTVT71961		SCREW PFU TMT PHL 5X20 ZN NERA	12,00			--
0025	GUGO28683		"L" GASKET W/O HOLES H=5,5	3,00			--
0026	MOMO28716		MOT.BD302 1000W 220-240V 50-60HZ	3,00			--
0027	GUGO28683		"L" GASKET W/O HOLES H=5,5	3,00			--
0028	FTDP38057		ANTINOISE TRIANGLE H=51	3,00			--
0029	FTDP28745		GASKET MTP/30 AU-AD 50X10X85	3,00			--
0030	MPVR28748		AUTOMATIC VALVE	3,00			--
0031	PMBA00615		BLACK BASE 600/400 W/GAS SL W/P	1,00			--



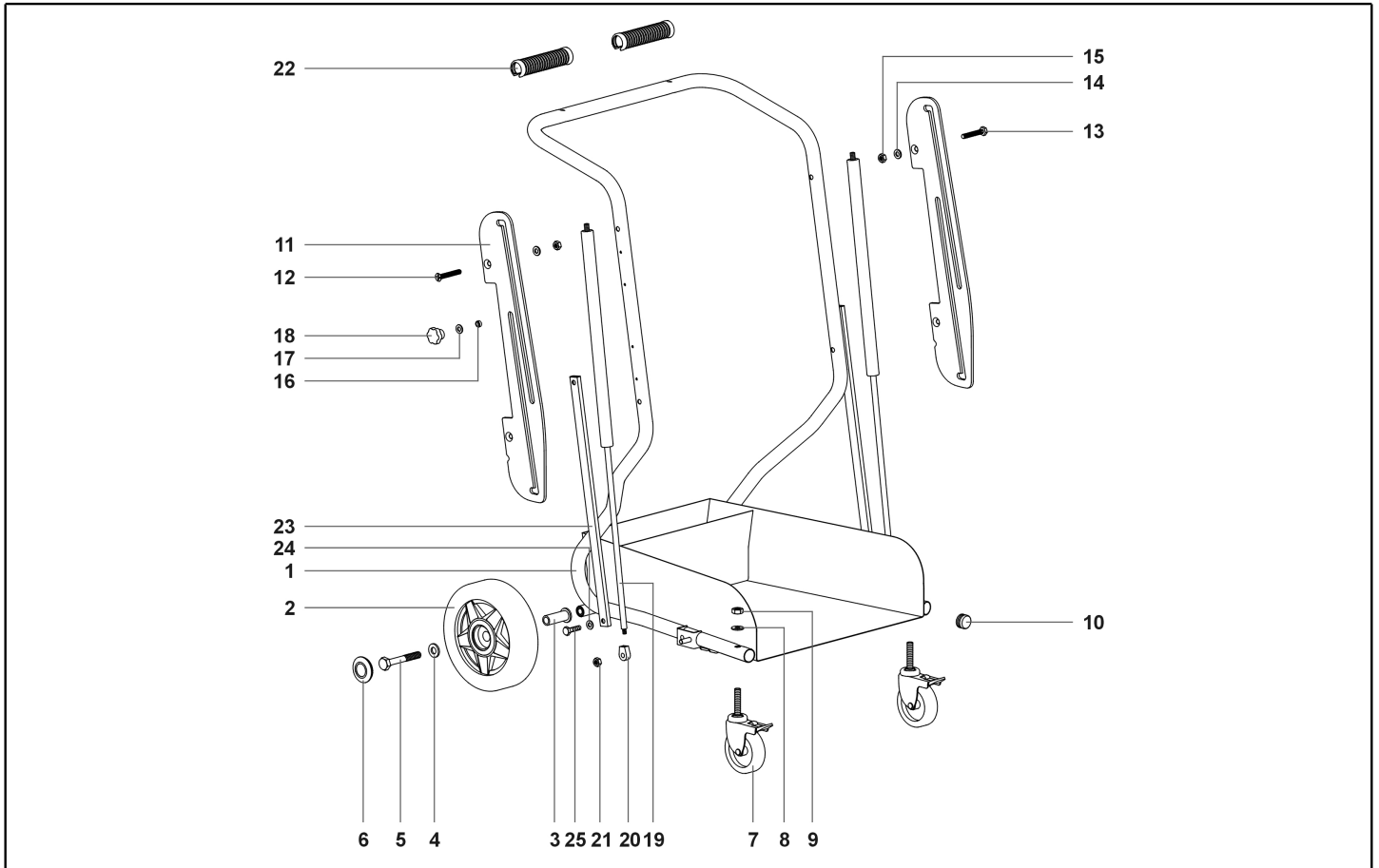
Ref. K	Part n.	Part n. 2	Description	Quantity	Validity		Price
					From	To	
0001	GUVR40078		GASKET H3 DS50 W/ANTIFOAM BODY	1,00			--
0002	MPVR10272		CARTRIDGE HOLD. .	1,00			--
0003	FTDP00489		CARTRIDGE POLY 175X118X250 C1FC M43	1,00			--
0004	LAFN08683		BRACKET BLOC FIL CLASS H	1,00			--
0005	VTVT71961		SCREW PFU TMT PHL 5X20 ZN NERA	4,00	23/12/2016		--



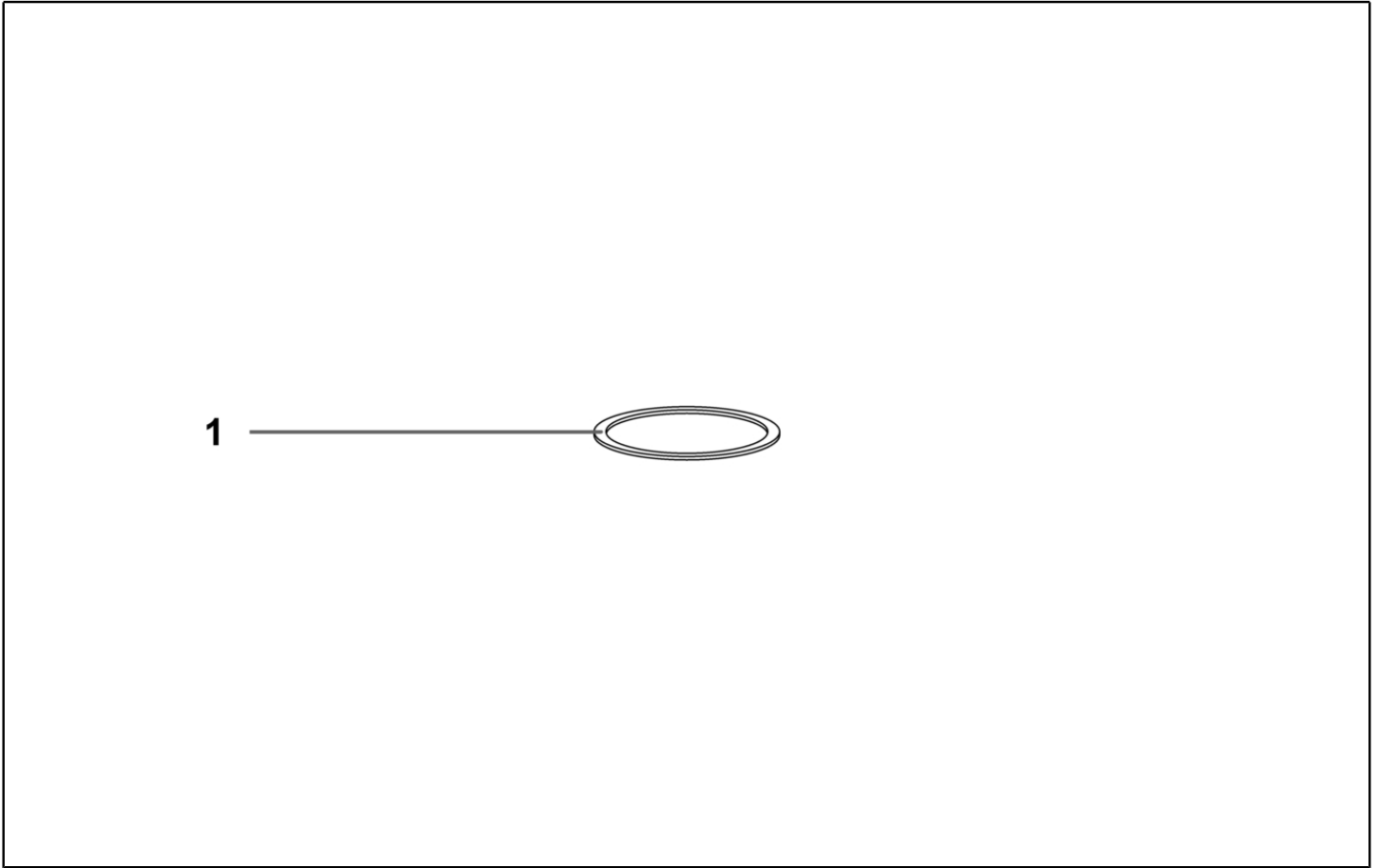
Ref. K	Part n.	Part n. 2	Description	Quantity	Validity		Price
					From	To	
0001	FTDP00223		PCARBON FILTER 400/600 H=580 L=640	1,00			--
0001	FTDP00223		PCARBON FILTER 400/600 H=580 L=640	1,00			--



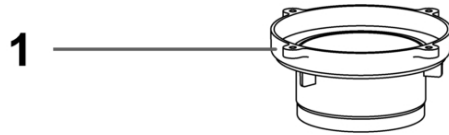
Ref. K	Part n.	Part n. 2	Description	Quantity	Validity		Price
					From	To	
0001	PMVR02655		TANK WITH CONE MAXIBAG 400	1,00			--
0002	VTVR71991		RIVET 5X11	4,00			--
0003	CHVR28735		COMPLETE PLASTIC HOOK BLACK	2,00			--
0004	MPVR28737		BLACK HANDLE	1,00			--
0005	VTVT71960		SCREW SCREW PAT TMT PHL 5X14 ZN	2,00			--
0006	MPVR07323		GASKET BOCCH. TANGENZIALE R205	1,00			--
0007	MPVR10409		PIPE UNION TANG. COND. C/PUL.RN	1,00			--
0008	VTVT72055		SCREW PFU TMT PHL 5X25 ZN BLACK	4,00			--
0009	MPVR07327		SPACER D18 D8,2 L15	4,00			--
0010	VTVT01281		ALLEN SCREW TBEI M8X25ZB UNI7380	4,00			--
0011	VTVR72041		WASHER 8X32 UNI6593	4,00			--
0012	VTDD71968		NUT M 8 UNI 5588	4,00			--
0013	LAFN09462		TANK BRACKET MAXIBAG	2,00			--
0014	VTVT01028		SCREW TE M 8X25 UNI 5739	4,00			--
0015	VTDD71968		NUT M 8 UNI 5588	4,00			--
0016	VTDD00225		SELF-LOCJ.NUT M 8 SMALL UNI 7474	2,00			--
0017	VTVT01017		SCREW TE M 8X40 UNI 5739	2,00			--
0018	MPVR07327		SPACER D18 D8,2 L15	2,00			--
0019	VTVR00377		EYELET 8,1-10X16 M8 ZB	2,00			--
0020	MPVR07325		BLACK GASKET CONE MAXIBAG	1,00			--
0021	FSVR00152		CLAMP 370X3,6	2,00			--
0022	LAFN09459		SUPPORT VALVE MAXIBAG	1,00			--
0023	LAFN09460		PLATE VALVE MAXIBAG	1,00			--
0024	VTVR71991		RIVET 5X11	2,00			--
0025	LAFN09461		COUNTERWEIGHT MAXIBAG VALVE	1,00			--
0026	FTDP28679		FILTER MTP/30 30X10X900	0,07			--
0027	VTVT01280		SCREW M4X50	2,00			--
0028	VTDD00256		SELF-LOCKING NUT M4 LOW	2,00			--
0029	LAFN09456		SUPPORT LONGOPAC MAXIBAG	1,00			--
0030	VTVT01095		SCREW TC CROSS M 4X12 UNI 7687	1,00			--
0031	PVVR00131		GENOVESE CHAIN GALV.N°14	0,18			--
0032	VTRS00397		WASHER M 5-5,3 D.E 11,5	1,00			--
0033	VTDD00256		SELF-LOCKING NUT M4 LOW	1,00			--
0034	LAFN09545		PIN OF STILL SUPPORT MAXIBAG	1,00			--
0035	MISC00025		BAG SPA. LONGPAC W/CLAMP	1,00			--
0036	CNPR00416		ELASTIC FOR MAXIBAG SUPPORT	1,00			--
0037	PMVR04930		WIRE COVER DRUM MAXIBAG 400	1,00			--



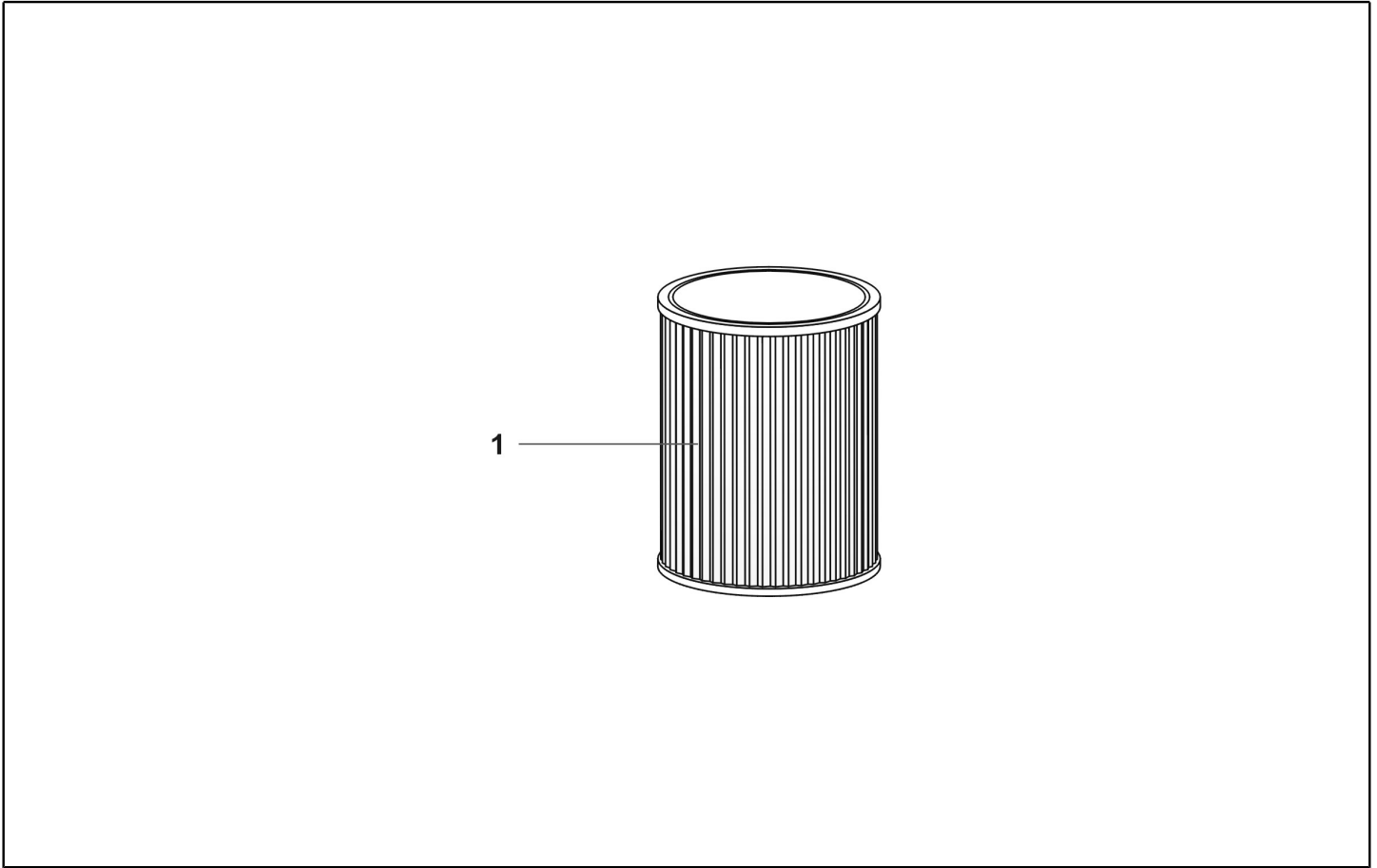
Ref. K	Part n.	Part n. 2	Description	Quantity	Validity		Price
					From	To	
0001	LAFN09903		STRUCTURE MAXIBAG	1,00			--
0002	RTRT85069		REAR WHEEL D.200	2,00			--
0003	MPVR02244		BUSH FOR REAR WHEEL	2,00			--
0004	VTRS00394		WASHER M 12 UNI 6592	2,00			--
0005	VTVT01273		SCREW TE M12X85 ZB UNI 5739	2,00			--
0006	MPVR85070		WHEEL CAP D.200/250 BLACK	2,00			--
0007	RTRT00481		TURNING WHEEL D.80 GRI.M10X47 W/BRAKE	2,00			--
0008	VTRS71964		WASHER M 10	2,00			--
0009	VTDD00246		SELF-LOCJ.NUT M10 SMALL UNI7474	2,00			--
0010	MPVR07329		PLASTIC TOP X TUBE D.25	2,00			--
0011	LAFN09464		SCROLLING PLATE MAXIBAG 400/600	2,00			--
0012	VTVT01276		SCREW TSPEI M8X50 ZB UNI5933	2,00			--
0013	VTVT01226		SCREW TE M 8X50 Z.B UNI 5737	2,00			--
0014	VTRS00396		WASHER M 8 UNI 6592	4,00			--
0015	VTDD71968		NUT M 8 UNI 5588	4,00			--
0016	RCDS00102		BUSHING SCROLLING MAXIBAG	4,00			--
0017	VTVR71963		WASHER 8X24	8,00			--
0018	VTVR72067		HAND WHEEL M 8 VB/30	4,00			--
0019	MLML00396		GAS SPRING 10-22 100N L760 C350	2,00			--
0020	VTVR00377		EYELET 8,1-10X16 M8 ZB	2,00			--
0021	VTDD00225		SELF-LOCJ.NUT M 8 SMALL UNI 7474	2,00			--
0022	MPVR02288		GRIP PLAST.CARRELLO GR.5000	2,00		11/05/2022	--
0022	MPVR10119		GRIP PLAST.CARRELLO NERO	2,00	12/05/2022		--
0023	LAFN09465		STRUT MAXIBAG STRUCTURE	2,00			--
0024	VTVR71963		WASHER 8X24	2,00			--
0025	VTVT01087		SCREW TE M 8X20 UNI 5739	2,00			--



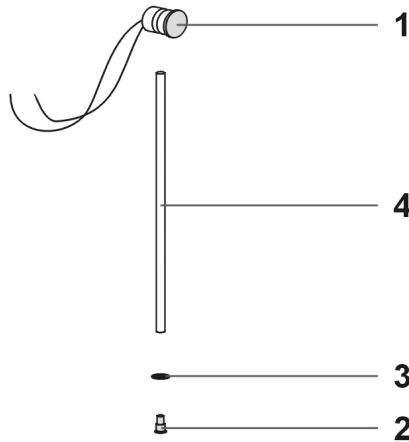
Ref. K	Part n.	Part n. 2	Description	Quantity	Validity		Price
					From	To	
0001	GUVR40078		GASKET H3 DS50 W/ANTIFOAM BODY	1,00			--
0001	GUVR40078		GASKET H3 DS50 W/ANTIFOAM BODY	1,00			--



Ref. K	Part n.	Part n. 2	Description	Quantity	Validity		Price
					From	To	
0001	MPVR10272		CARTRIDGE HOLD. .	1,00			--
0001	MPVR10272		CARTRIDGE HOLD. .	1,00			--



Ref. K	Part n.	Part n. 2	Description	Quantity	Validity		Price
					From	To	
0001	FTDP00489		CARTRIDGE POLY 175X118X250 CIFC M43	1,00			--
0001	FTDP00489		CARTRIDGE POLY 175X118X250 CIFC M43	1,00			--



Ref. K	Part n.	Part n. 2	Description	Quantity	Validity		Price
					From	To	
0001	MEPF00035		PRESSURE SWITCH PRESS.REG.+YELLOW LIGHT 2	1,00			--
0002	RCVR00845		HOSE FITTING WARNING LIGHT	1,00			--
0003	VTRS00415		WASHER SELF-LOC. D.6 ZA6	1,00			--
0004	TBBP00547		TUBE PVC D.5X3 CM46 X WAR LIGH	1,00			--