



IPC

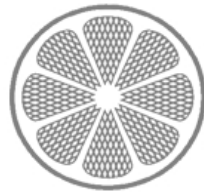
Spare parts list

Ref: ASDO10534

Cust.ref:

Model:

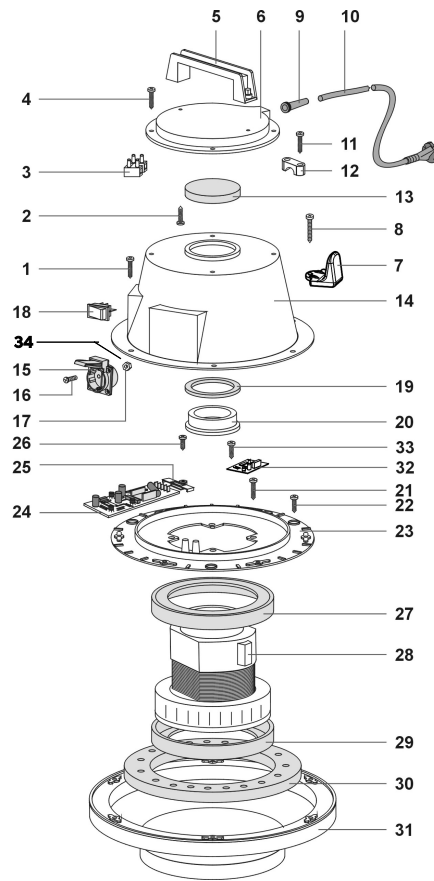
Cust.model: FOMA 131250



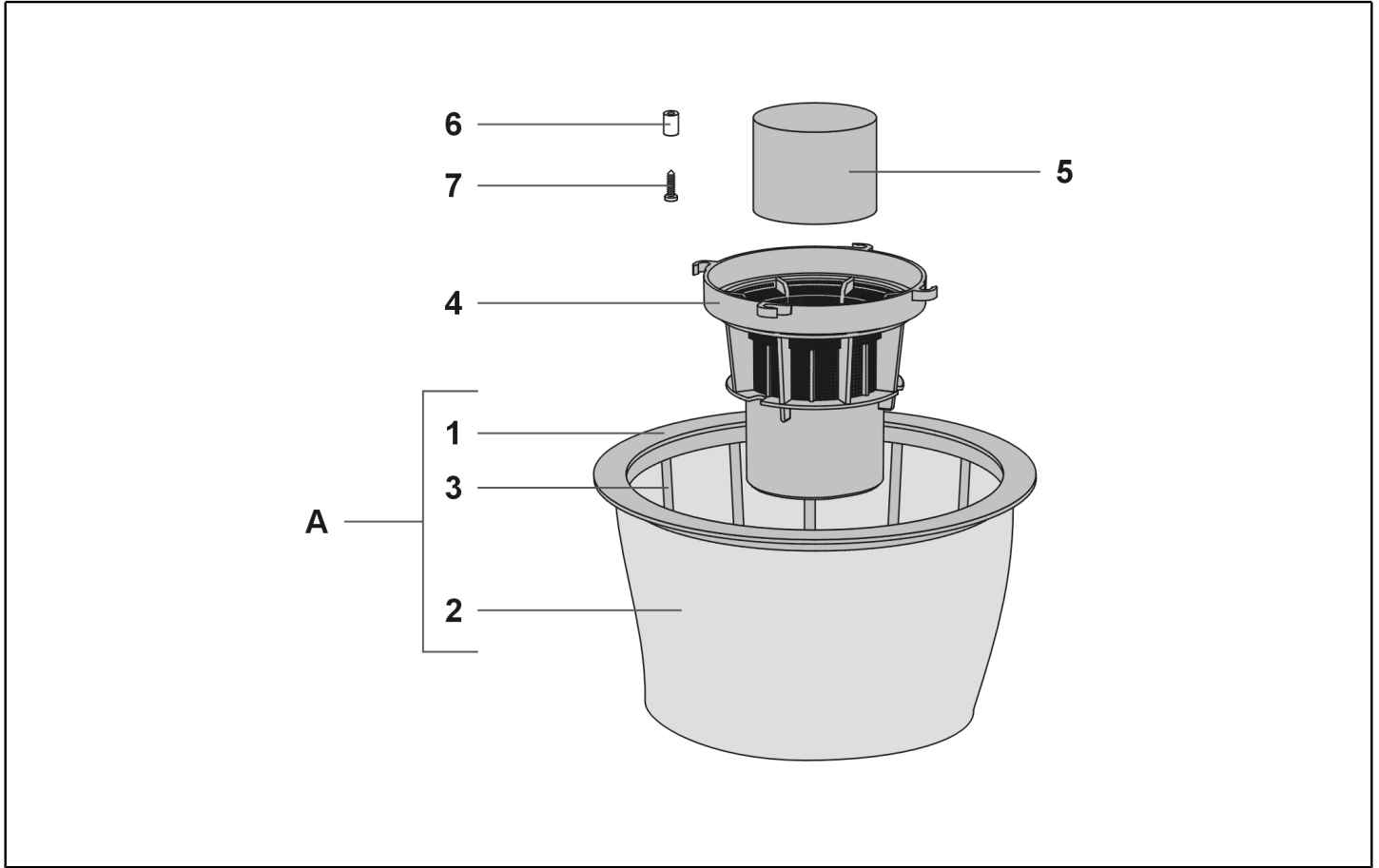
IPC Integrated Professional Cleaning

IPC Soteco

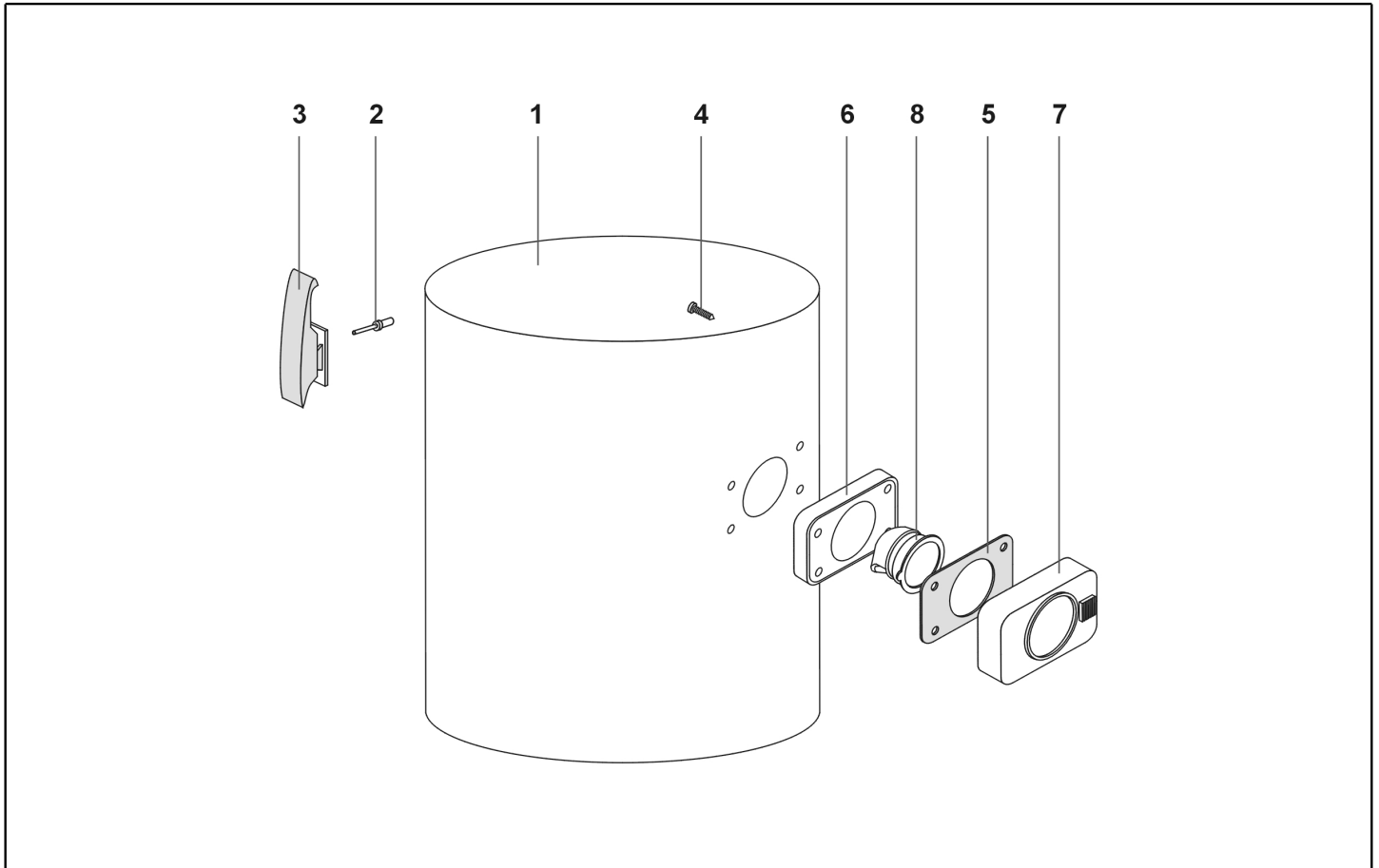
Ref. K	Part n.	Part n. 2	Description	Quantity	Validity		Price
					From	To	
0001	PMTA06649		HEAD SKIP WET REM.CONTR.RAD.	1,00			--
0002	KTRI76691		KIT FILTER DERBY/SKIP WET COMPL.	1,00			--
0003	PMFU01436		TANK DERBY/SKIP WET G6/GR-IPC	1,00			--
0004	CARR01610		TROLLEY DERBY COMP. GRIGIO 6000	1,00			--
0005	PMDT00757		KIT ACCESS. DERBY/SKIP WET	1,00			--



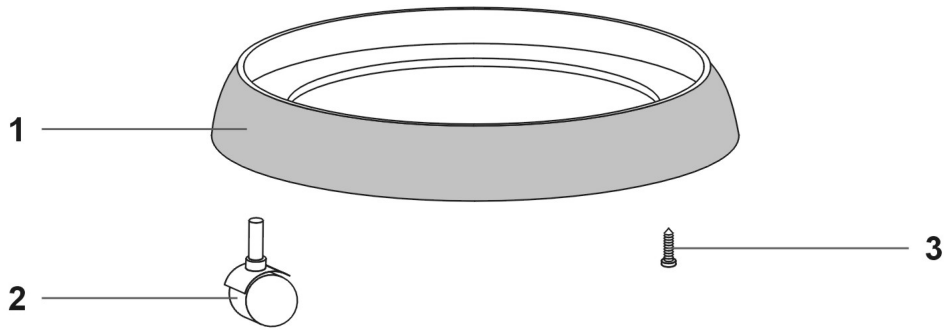
Ref. K	Part n.	Part n. 2	Description	Quantity	Validity		Price
					From	To	
*	MECB01820		MOTOR WIRING 40CM	1,00		25/08/2021	--
*	FSVR00127		CLAMP	3,00			--
*	MECB01677		CONN.WIRE M.350-G/V-SP9-SP9-S1,5	1,00			--
*	MEVR02225		FASTON COVER FOR ART.01103/C	1,00			--
*	MECB01821		WIRING 40CM MOTOR-TP 1200	1,00	26/08/2021		--
0001	VTVT71961		SCREW PFU TMT PHL 5X20 ZN NERA	5,00			--
0002	VTVT71960		SCREW PAT TMT PHL 5X14 ZN	2,00			--
0003	MECB01772		TERMINAL BOARD 300-500 3P 4/C RAD	1,00			--
0004	VTVT71961		SCREW PFU TMT PHL 5X20 ZN NERA	4,00			--
0005	MPVR09405			1,00			--
0006	MPVR07506		GREEN COVER B.300 XRD-10	1,00			--
0007	MPVR06686		UNI.CABLE HAN. UNIVERSAL	1,00			--
0008	VTVT72055		SCREW PFU TMT PHL 5X25 ZN BLACK	1,00			--
0009	MEVR28673		FAIRLEAD	1,00			--
0010	MECB28740		ELECTRIC CORD 3X1,5 MT 8,5	1,00			--
0011	VTVT71961		SCREW PFU TMT PHL 5X20 ZN NERA	2,00			--
0012	MPVR28690		CABLE CLAMP	1,00			--
0013	FTDP38064		FILTER MTP/65 H=15 D.95	1,00			--
0014	PMVR03330		COVERING B.315 TC XRD-10	1,00			--
0015	MEVR38061		SCHUKO ADD.SOCKET W/PROTECTION	1,00			--
0016	VTVT01192		SCREW TSP CROSS M 4X12 UNI 7688	4,00			--
0017	VTDD00242		NUT CIECO M 4 NYLON	4,00	01/02/2019		--
0018	MECI38052		COMMUTATOR ANTISPLASH	1,00			--
0019	MPVR38371		WASHER H8 D85X65	1,00			--
0020	MPVR34370		RING MOTORE H=13 (20) PLAST.	1,00		25/08/2021	--
0020	MPVR86282		RING MOTORE H=7 (15) PLAST.	1,00	26/08/2021		--
0021	VTVT71961		SCREW PFU TMT PHL 5X20 ZN NERA	4,00			--
0022	VTVT71960		SCREW PAT TMT PHL 5X14 ZN	2,00			--
0023	MPVR38366		MOTORFASTENER WET	1,00			--
0024	MECE00799		PCB TELECONTROL 2015 LEG	1,00	23/07/2018		--
0025	LAFN87310		CARD BLOCK BRACKET	2,00			--
0026	VTVT71961		SCREW PFU TMT PHL 5X20 ZN NERA	2,00			--
0027	GUGO28683		"L" GASKET W/O HOLES H=5,5	1,00			--
0028	MOMO89283		MOT.BS252 1000W 220-240 50/60 MONO	1,00		25/08/2021	--
0028	MOMO40006		MOT.BS282 1200W 220-240 50/60 MONO	1,00	26/08/2021		--
0029	GUVR00397		"L" GASKET S/F H=16	1,00			--
0030	FTDP38067		WASHER MTP 65MM 18D 230X145	1,00			--
0031	PMBA00394		GREY BASE 300 MONO W/GASKET 6000	1,00			--
0032	MECE00676		PCB ANTIDISTURBO TLC 2015	1,00	26/01/2021		--
0033	VTVT71960		SCREW PAT TMT PHL 5X14 ZN	1,00	26/01/2021		--
0034	GUVR38060		PAKNING FOR SCHUKO KONTAKT	1,00			--



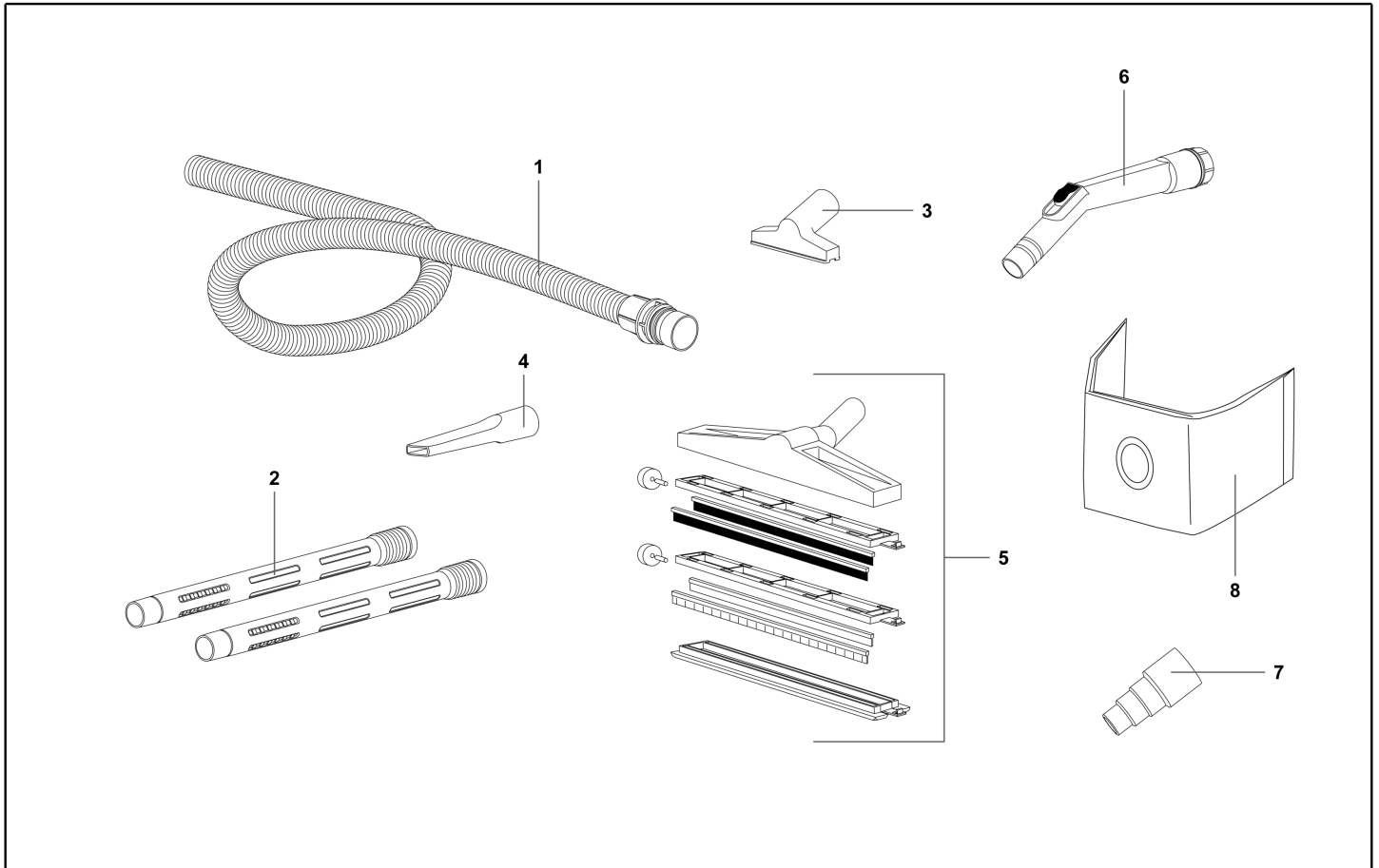
Ref. K	Part n.	Part n. 2	Description	Quantity	Validity		Price
					From	To	
A	KTRI02142		KIT RING+FILTER+BASKET300 SAN.	1,00			--
0001	MPVR35494		FILTER RING 300	1,00			--
0002	FTDP00547		FILTER POLY AN3-500 CON REG H180	1,00			--
0003	MPVR35490		LOWER CONICAL BASKET 300	1,00			--
0004	MPVR40521		NET ANTIFOAM BODY HIGH	1,00			--
0005	RCGR40008		HIGH FLOAT 99 W/GASKET 37 SHA	1,00			--
0006	MPVR35796		BUSHING PLASTIC SLEEVE D.8	4,00			--
0007	VTVT36751		SCREW SCREW PAT TMT PHL 5X25	4,00			--



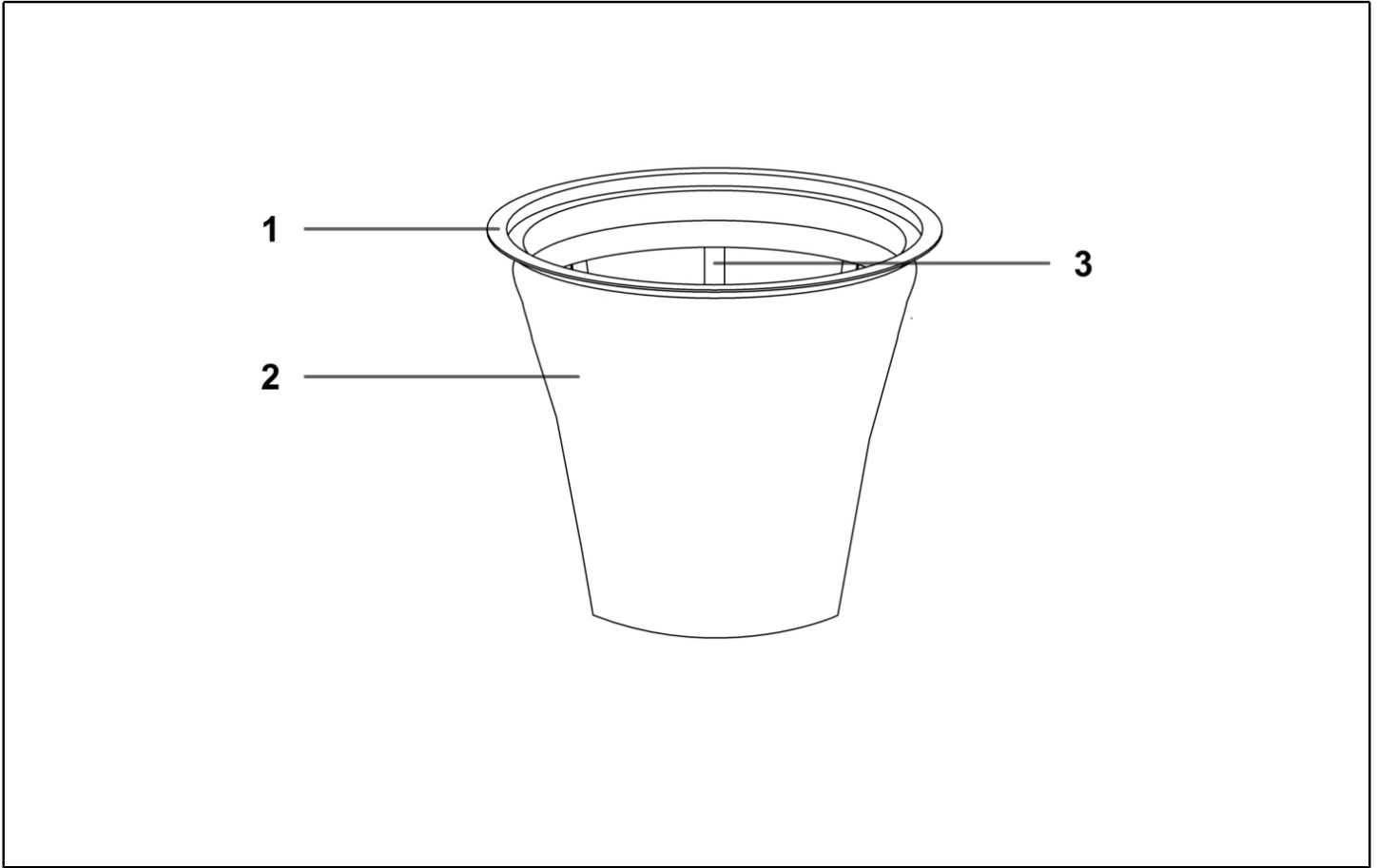
Ref. K	Part n.	Part n. 2	Description	Quantity	Validity		Price
					From	To	
0001	PMVR03234		TANK PL.DERBY/SKIP/PREMIER WET	1,00			--
0002	VTVR71992		RIVET RIVET 4,8X17	4,00			--
0003	CHVR28735		COMPLETE PLASTIC HOOK BLACK	2,00	15/02/2016		--
0004	VTVT71966		SCREW PAT TMT PHL 5X30 BLACK	4,00			--
0005	GUGO28701		GASKET D.38	1,00			--
0006	MPVR08681		GASKET R 205 GREY 6000	1,00			--
0007	MPVR09022		PIPE UNION R155 G6000 W/BOU.GR-IPC	1,00			--
0008	MPVR28696		DEFLECTOR 99	1,00			--



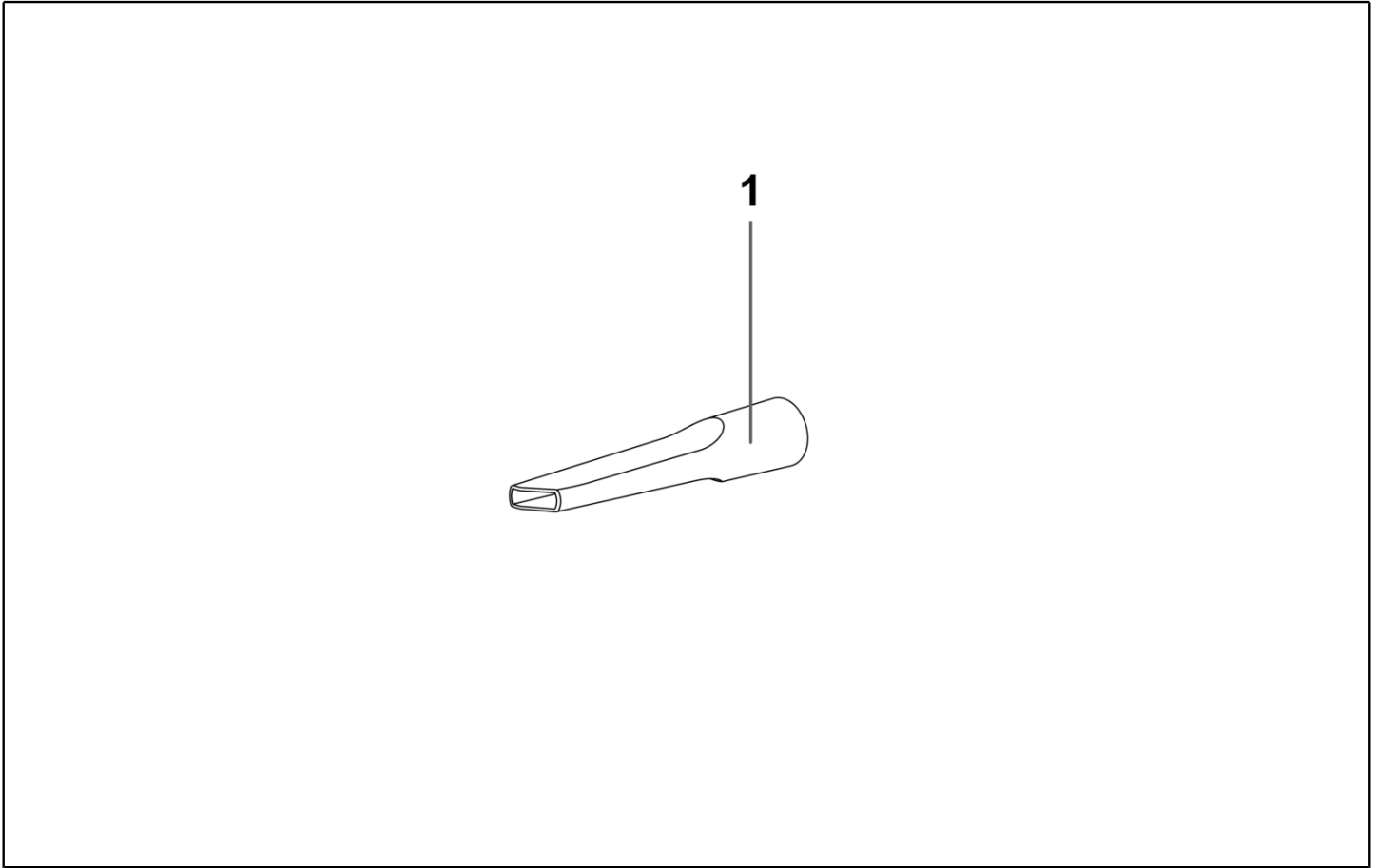
Ref. K	Part n.	Part n. 2	Description	Quantity	Validity		Price
					From	To	
0001	MPVR07588		TROLLEY BODY BODY TROLLEY BOX GREY6000	1,00			--
0002	RTRT34374		WHEEL D.35 12/14	4,00		03/11/2020	--
0002	RTRT00737		TURNING WHEEL D.40 12/14	4,00	04/11/2020		--
0003	VTVT71960		SCREW PAT TMT PHL 5X14 ZN	4,00			--



Ref. K	Part n.	Part n. 2	Description	Quantity	Validity		Price
					From	To	
0001	TBFX85412		COMPLETE FLEX HOSE 32 MT.2	1,00			--
0002	MPVR85407		PLAST.TUBE D.36 MT.0,50	2,00			--
0003	MPVR00141		SMALL TOOL D.36	1,00			--
0004	SPPV28242		FLAT LANCE D.36	1,00			--
0005	SPPV33289		BRUSH 300 WET-DRY D36 COMPL.	1,00			--
0006	LAFN85073		PLASTIC WAND WITH AIR REGULATION	1,00			--
0007	MPVR40837		COUPLING REDUCTION IMPLEMENT	1,00			--
0008	FTDP33284		PAPER BAG 101/BOX	1,00			--



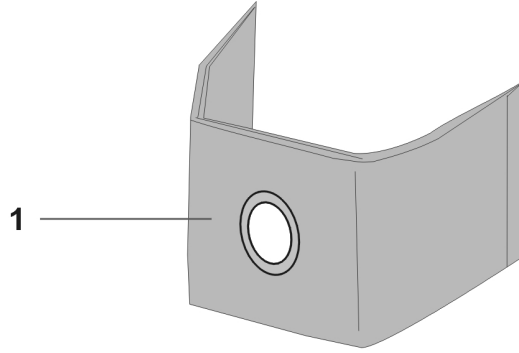
Ref. K	Part n.	Part n. 2	Description	Quantity	Validity		Price
					From	To	
0001	MPVR35494		FILTER RING 300	1,00			--
0002	FTDP00547		FILTER POLY AN3-500 CON REG H180	1,00			--
0003	MPVR35490		LOWER CONICAL BASKET 300	1,00			--



Ref. K	Part n.	Part n. 2	Description	Quantity	Validity		Price
					From	To	
0001	SPPV28242		FLAT LANCE D.36	1,00			--
0001	SPPV28242		FLAT LANCE D.36	1,00			--



Ref. K	Part n.	Part n. 2	Description	Quantity	Validity		Price
					From	To	
0001	VTVT36751		SCREW SCREW PAT TMT PHL 5X25	1,00			--
0001	VTVT36751		SCREW SCREW PAT TMT PHL 5X25	1,00			--



Ref. K	Part n.	Part n. 2	Description	Quantity	Validity		Price
					From	To	
0001	FTDP33284		PAPER BAG 101/BOX	1,00			--
0001	FTDP33284		PAPER BAG 101/BOX	1,00			--



Ref. K	Part n.	Part n. 2	Description	Quantity	Validity		Price
					From	To	
0001	MPVR28696		DEFLECTOR 99	1,00			--
0001	MPVR28696		DEFLECTOR 99	1,00			--