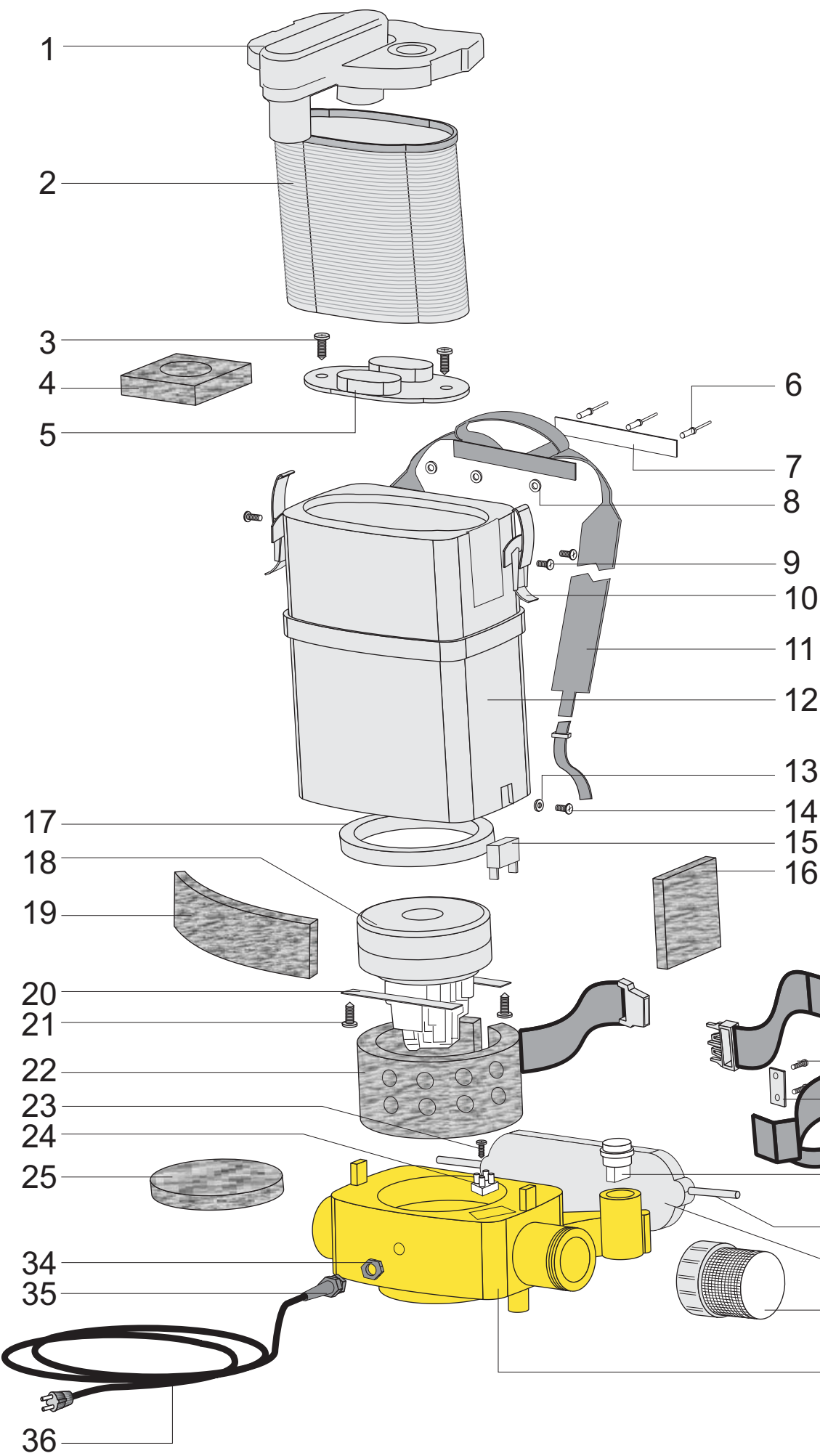


top



TOP			
POS.	REF.	DESCRIPTION	N°
1	27562	TOP COVER TOP	1
2	27901	FILTERING KIT TOP	1
3	16019	SCREW CBLZ ST 4,8X13 C GALV.	2
4	27565	MOTOR FILTER TOP	1
5	44518	FLANGE FOR MOTOR TOP	1
6	27144	RIVET 4,8X21	3
7	27219	SHOULDER BELT FIXING STRIP	1
8	16024	FLAT WASHER M5 GALV.	3
9	27078	SCREW ATF CBLZ 5X10 F GALV.	4
10	27068	BLACK HOOK	2
11	27289	SHOULDER BELT 129 AD-2	1
12	27563	TOP BACKPACK TANK	1
13	16024	FLAT WASHER M5 GALV.	2
14	9011	SCREW CBLZ M5X20 GALV.	2
15	AQUA/1034	RAD CAPACITOR μ F 0,75 400 V	1
16	27558	FOAM SPONGE PPI/20 100X100X20	1
17	27190	TOP MOTOR GASKET	1
18	1890 S	MOTOR TD30 800W 220-240 50/60	1
19	27566	FOAM SPONGE 515X80	1
20	27139	FIXING PLATE - TOP MOTOR	2
21	28005	SCREW FZ ST 4,8X19 C GALV.	4
22	27163	FOAM SPONGE	1
23	9050	SCREW CBLZ ST 2,9X19 C GALV.	1
24	27069	TERMINAL BLOCK - 2 PINS	1
25	1203	FILTER PPI/45 Ø 115	1
26	27288	TOP BELT 129 AD-2	1
27	27180	SCREW ATF CBZ 5X14 F GALV.	4
28	27342	SHOULDER BELT FIXING PLATE	2
29	9915	COMPLETE SWITCH	1
30	27072	BACKPACK PROTECTION DEVICE FIXING PIN	2
31	27578	BACKPACK PROTECTION DEVICE	1
32	27153	AIR OUTLET	1
33	27564	TOP BASE	1
34	44109	NUT CEPFV 9	1
35	44105	CABLE CLAMP BS 9	1
36	27047	ELECTRICAL CABLE 2X1 MT 10	1

ACCESSORIES			
POS.	REF.	DESCRIPTION	N°
1	7567	TOP PAPER BAG	1
5	613	FLEX HOSE 32 MT 2	1
6	622	FLEX HOSE CUFF D.36	1
2	617	FLAT LANCE D.36	1
3	4	ROUND BRUSH D.36	1
6	6158	PLASTIC WAND W/AIR REGULATION	1
7	6240	ALUMINUM-PLASTIC TUBE D.36 MT 0,50	2
8	632 SP	COMBI-BRUSH	1

