

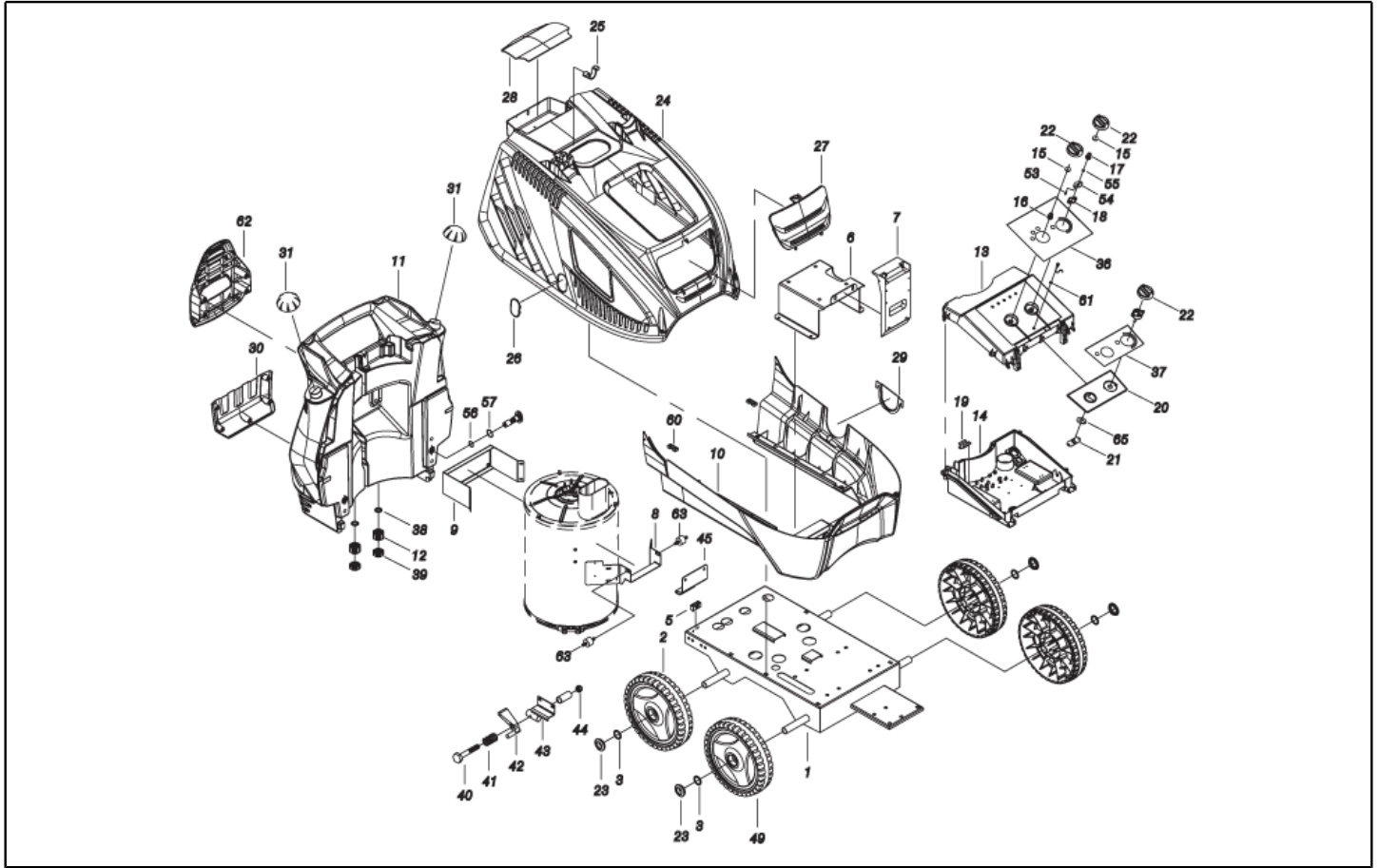


IPC

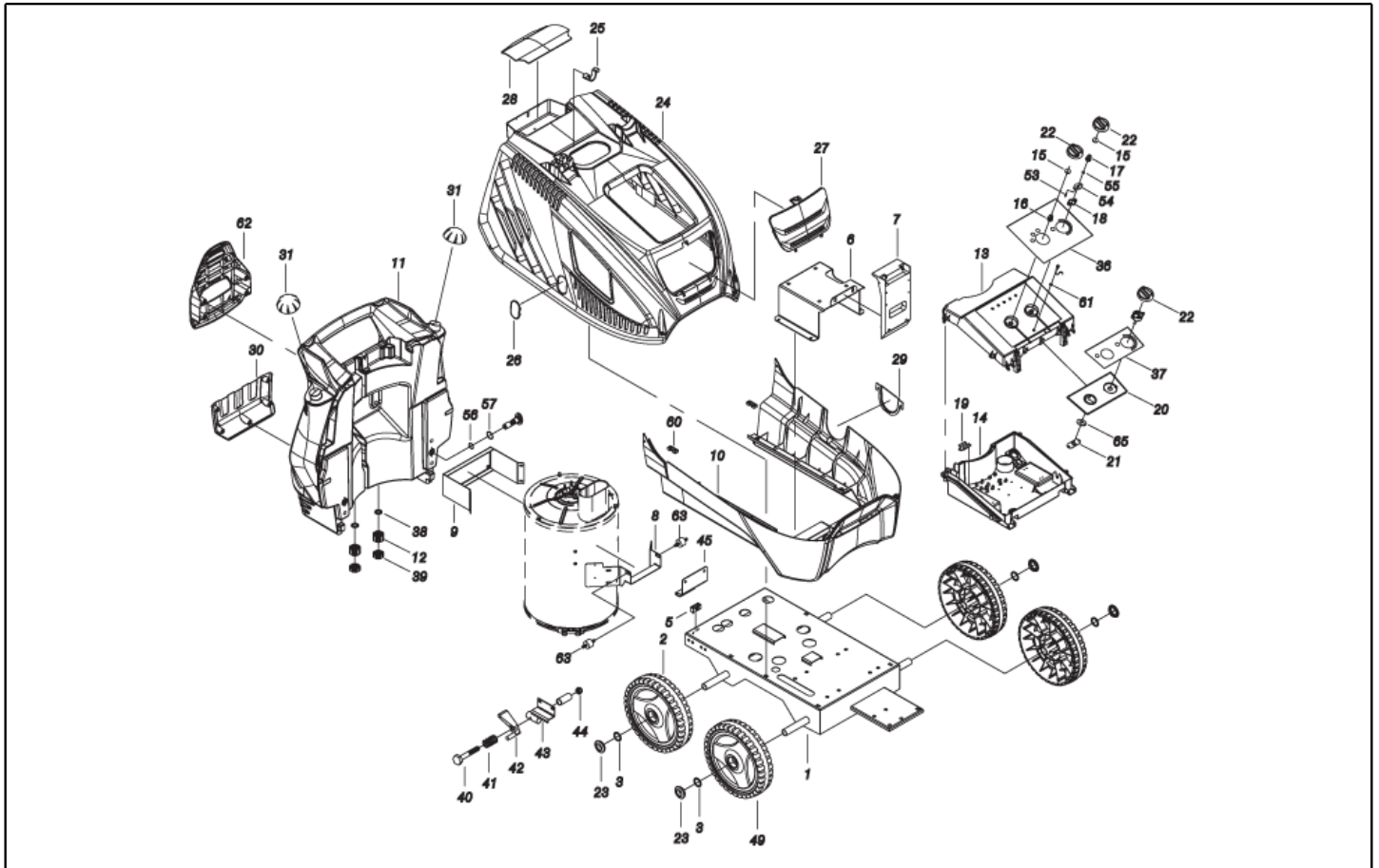
Spare parts list

Ref: IDAC41229

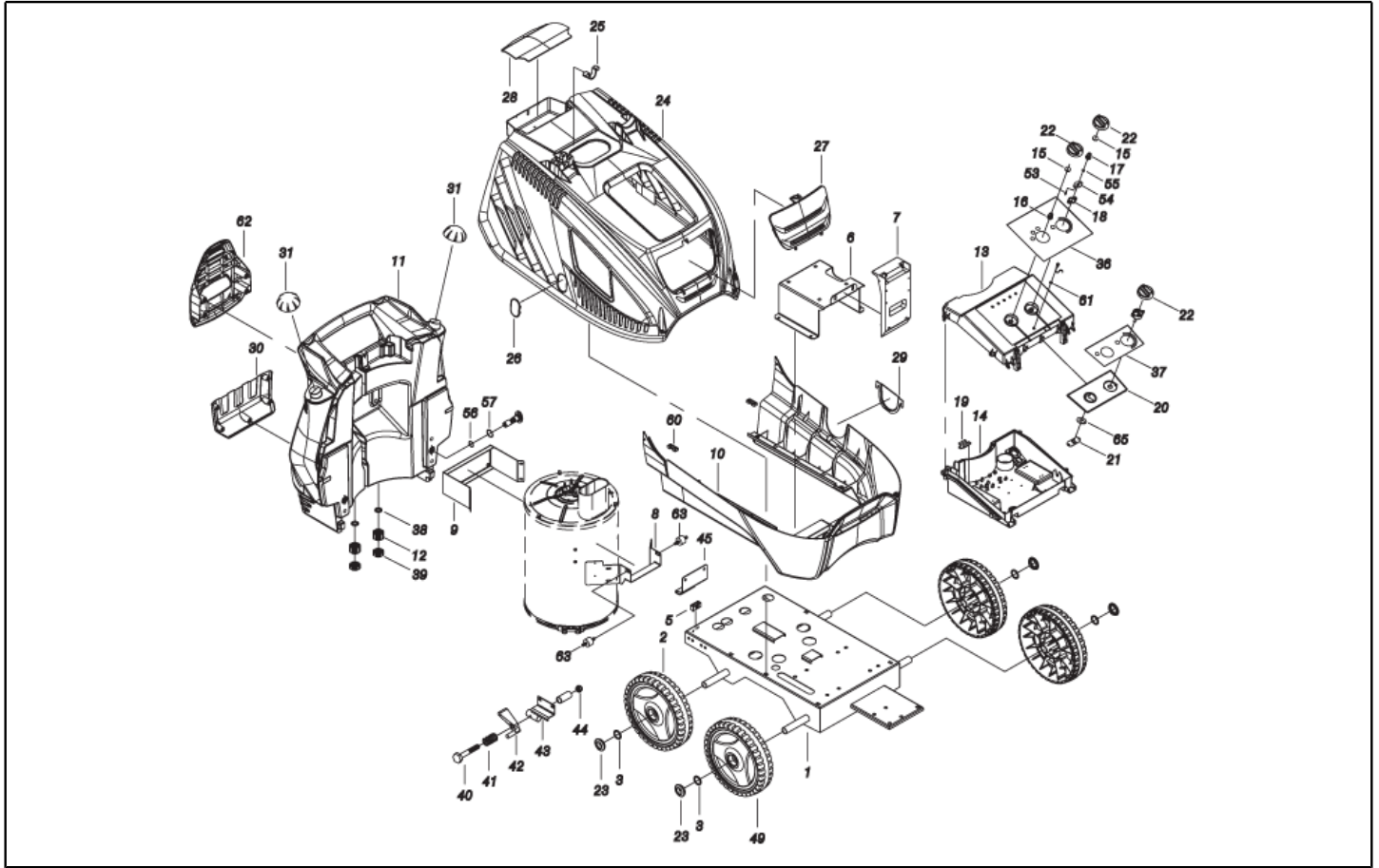
Model: H.P. CLEANER PW-H50/4P D1915P4T230/50N



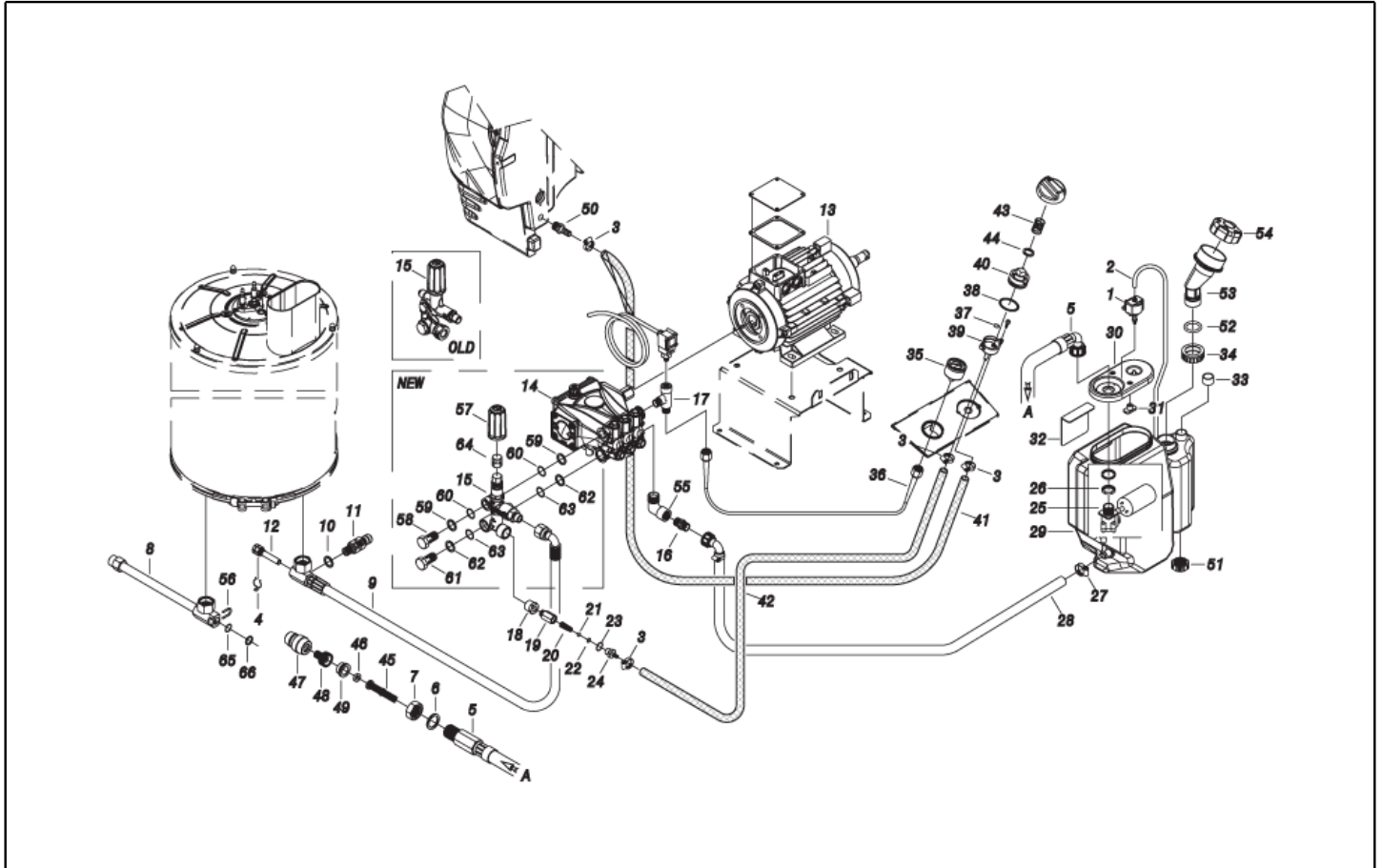
Ref. K	Part n.	Part n. 2	Description	Quantity	Validity		Price
					From	To	
0001	LAFN40760		CHASSIS PW-H50/4W BK.	1,00			--
0002	RTRT40045		WHEEL D.300-D.25 FLY-IPC BK/GRN	2,00			--
0003	VTRS09813		WASHER D.25	4,00			--
0005	MEVR20906		CABLE CLAMP KSM	1,00			--
0006	LAFN40550		MOTOR SUPPORT PW-H35 6.0Hp ZC.	1,00			--
0007	MPVR33534		BOX SUPPORT MST PA 66	1,00			--
0008	LAFN40741		SUPPORT PW-H35 PM/AV ZC.	1,00			--
0009	LAFN40835		BRACKET PW-H35 PM.2 ZC	1,00	16/11/2015		--
0010	MPVR40591		BLACK COVER PW-H35 INF.P/2P-PM PP	1,00			--
0011	MPVR40791		TANK PW-H50 PI. PEHD BK.	1,00			--
0012	PVVR11806		DISCHARGE CAP FLL	2,00			--
0013	MPVR40540		BOX COVER PW-H35 ABS BK.	1,00			--
0014	MPVR40794		CONTROL BOX PW-H50 C/F.Lt.ABS BK.	1,00			--
0015	GUGO25527		O-RING D. 14 X 3 NBR 70SH	2,00			--
0016	MPVR23482		SWITCH TANG TEC. TUV	1,00			--
0017	S MPVR40843		TAIL PIECE THERM.PW-H PL.	1,00	01/11/2016		--
0017	S MPVR40776		TAIL PIECE THERM.PW-H28 ADV.	1,00		31/10/2016	--
0018	S MPVR41903		THICKNESS TERM.IM.PA66	1,00			--
0019	LAFN46067		SUPPORT L.60 P176	2,00			--
0020	MPVR40542		ANT. PANEL PW-H35 ABS BK.	1,00			--
0021	LAFN40922		JUNCTION BOARD PW-H35 D.14 ZC.	1,00	01/03/2017		--
0022	MPVR49057		BLACK KNOB P176-M.RACE PA6	3,00			--
0023	MPVR40734		HUB CAP D.50 G-48/IPC GR.368C	4,00	01/10/2015		--
0024	MPVR40525		GREEN COVER PW-H35 SUP.PP GR.368C	1,00			--
0024	FSVR62795		PLATE DI FISSAGGIO RPD0074	2,00			--
0025	MPVR40485		RUBBER PW-H35 15-20BK.	1,00			--
0025	MPVR40534		PIN PW-H35 PP BK.	2,00			--
0026	MPVR40539		DOOR PW-H35 PPL NT.	1,00			--
0027	MPVR40527		DOOR PW-H35 PPL GR.368C	1,00		31/12/2014	--
0027	MPVR40660		DOOR PW-H35 PPL BK.	1,00	01/01/2015		--
0028	MPVR40529		DOOR PW-H35 PPL V.368C PST	1,00		31/12/2014	--
0028	MPVR40661		DOOR PW-H35 PPL BK. PST	1,00	01/01/2015		--
0029	MPVR40532		DOOR PW-H35 PPL BK.INF.	1,00			--
0030	MPVR40533		TOOL HOLDER PW-H35 PP BK.	1,00			--
0031	MPVR40187		TANK CAP P215 PEHD C/F.	2,00			--
0036	ETET41116		LABEL PW-H50 EL.PLUS.CF	1,00			--
0037	ETET40556		LABEL PW-H35 IDR.	1,00			--
0038	GUGO11489		GASKET D.22X1,5	2,00			--
0039	MPVR20187		RING NUT M 39 X 3	2,00			--
0040	VTVT14480		SCREW TE M 8X80 ZINC. UNI	1,00			--
0041	MLML11917		SPRING D. 14,5 X24 X2.2	1,00			--
0042	MPVR40751		TRIGGER H28/4W	1,00			--
0043	LAFN40762		BRACKET PW-H50/4W BK.	1,00			--
0044	VTDD00492		NUT M 8 ZINC	1,00			--



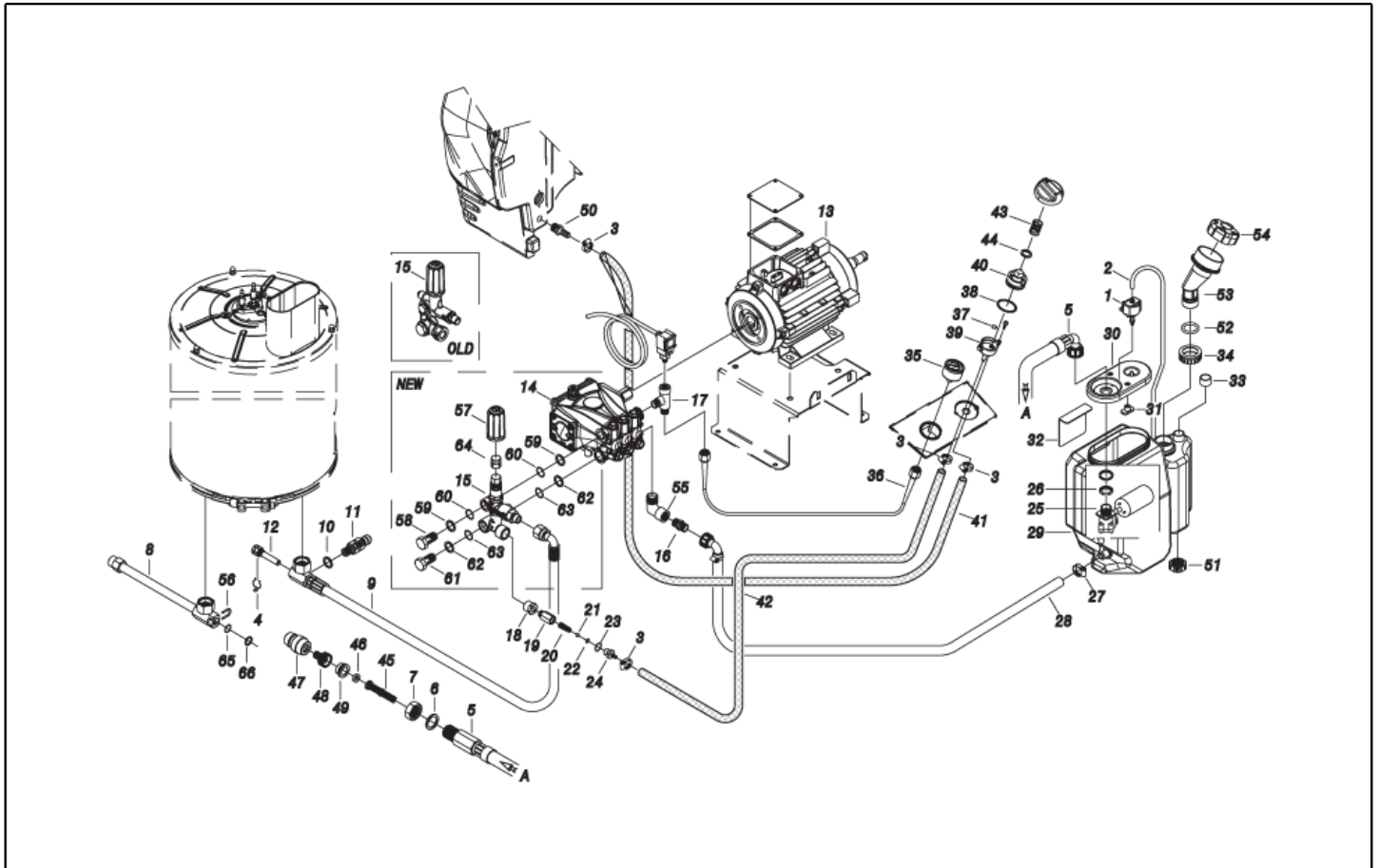
Ref. K	Part n.	Part n. 2	Description	Quantity	Validity		Price
					From	To	
0045	LAFN40609		FOOT PW-H35/4W	1,00			--
0049	RTRT40043		WHEEL D.250-D.25X 65 RES BK/GRN	2,00			--
0053	S VTVR40014		PIN CH. 7 X 10 M4M/M4F NIK.	2,00			--
0054	S LAFN40763		PLATE PW-H28 POT. IX	1,00			--
0055	S LAFN40916		BUSHING D. 6- 9 L= 8 BZ.SINT.	1,00	01/11/2016		--
0056	GUGO01056		O-RING D. 18.72 X 2.62 NBR 70SH	1,00			--
0057	GUGO01197		O-RING D. 22.22 X 2.62 NBR 70SH	1,00			--
0060	MPVR28554		CABLE FASTNER ELT	2,00			--
0060	VTVT13234		SCREW TCB-TC 3.5X19 NIK	4,00			--
0062	MPVR40701		HOSE SUPPORT PW-H35 PP BK.	1,00			--
0063	ABGO02389		VIBRATION DAMP. 25X20- 2M6X19 -60+5SH	2,00			--
0065	LAFN40921		PLATE PW-H35 D.14 ZC.	1,00	01/03/2017		--



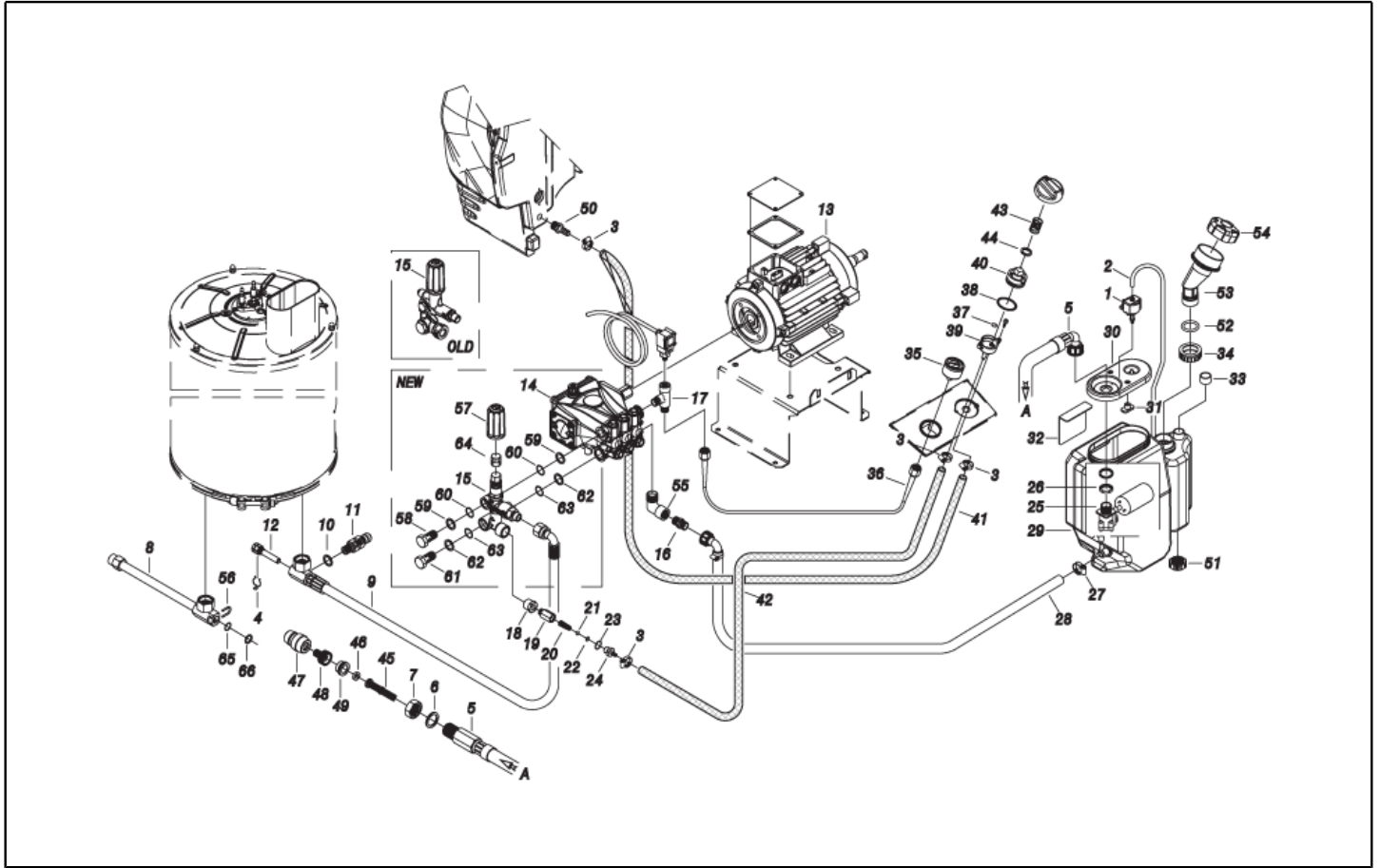
Ref. Part n.	Part n. 2	Description	Reference	Price
KTRI40415		KIT P 20- 4 POT. VSH P11 PW-H	0017 0017 0018 0053 0054 0055 POT	--



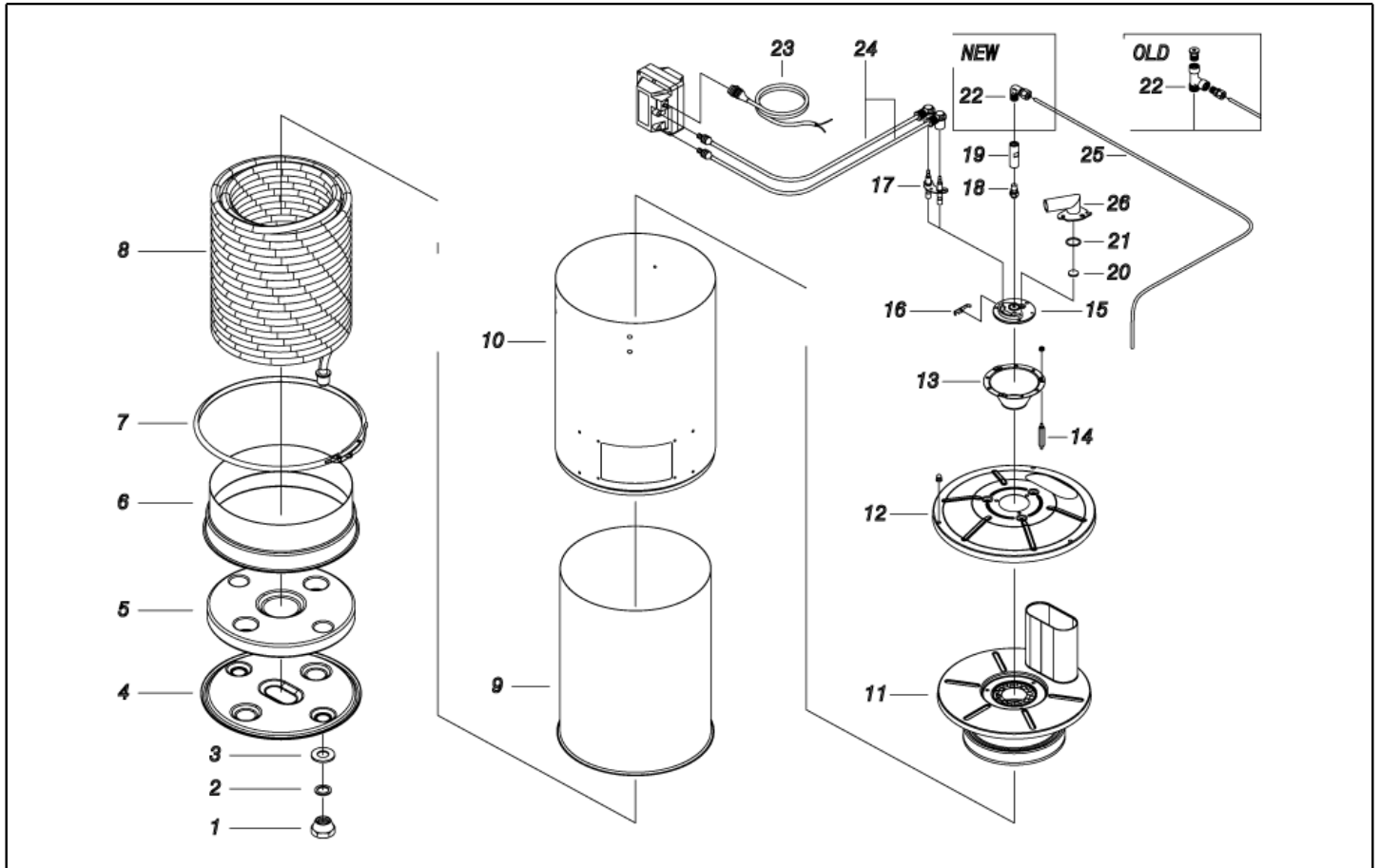
Ref. K	Part n.	Part n. 2	Description	Quantity	Validity		Price
					From	To	
0001	MEPD45940		DESCALING PUMP NME 1 24V 50/60HZ	1,00			--
0002	TBBP00058		L.P. HOSE D. 4- 7	0,60			--
0003	FSVR00427		CLAMP D. 12 CLIC 66-110	4,00			--
0004	MLML02623		SPRING IMT	1,00			--
0005	TBBP40064		L.P. HOSE L=1060 3/4F90°-1/2M 0°	1,00			--
0006	RCDS49875		RING NUT 1/2"X 6 CH.27 OT.	1,00			--
0007	VTRS00549		WASHER D.21,5X27X1.5 (1/2) RM	1,00			--
0008 S	RCDS21118		CONNECTOR KSM	1,00			--
0008 S	RCDS21119		NUT KSM	1,00			--
0008 S	RCDS40230		CONNECTOR G 3/8F -1/4 -P/NTC C.27	1,00			--
0008 S	RCDS40164		CONNECTOR L=285 2X3/8M CN. ZC.	1,00			--
0008 S	RCIN03753		MALE COUPLING M22-3/8 M-FA	1,00			--
0009	TBAP40115		HOSE-FITTING 3/ 8 R1 L=685 3/8F90-PM26	1,00			--
0010	VTRS40960		WASHER D.13.5X19 X4 AL.	1,00			--
0011	VVSC47427		VALVE MG 1000 G1/4M-M D.8 250B	1,00			--
0012	RCDS00593		SUMP IM 0-120 L=50	1,00			--
0013	MOTR40044		3PH MOTOR H35 HP 6 400-50 4P ED	1,00			--
0014	PPAP40039		PUMP RC 14.16 DX N	1,00			--
0015	VVAZ40066		VALVE VRZ-RC +TSS L.90 SI	1,00		29/02/2016	--
0015	VVAZ40079		VALVE VRF-2 AR-R PPr S/I.	1,00	01/03/2016		--
0016	RCDS88747		NIPPLE 3/4 - 1/2 CB D. 9.0	1,00			--
0017	RCDS40177		CONNECTOR T 3/8M - 1/4 M/F OT. CN.	1,00			--
0018	RCVR02606		REDUCTION 1/2-1/4 M/F	1,00			--
0019	RCDS46072		VALVE BODY N/R 1/4F-1/4 P176 OT	1,00			--
0020	MLML21505		SPRING D. 8 X5 X0.3	1,00			--
0021	SFVR04274		BALL D. 7/32	1,00			--
0022	GUGO01055		O-RING D. 5.28 X 1.78 VIT 70SH	1,00			--
0023	GUGO01036		O-RING D. 10.82 X 1.78 NBR 70SH	1,00			--
0024	RCDS10546		VALVE SEAT 1/4M + PG. D.3-7.5 OTT	1,00			--
0025	RCGR89343		FLOATER MTM 3/4 PP. S/F. +ADP.245	1,00			--
0026	RCVR49974		RING NUT 3/4" X 4 NIK	1,00			--
0027	FSVR00431		CLAMP D. 16-25	1,00			--
0028	TBBP40096		L.P. HOSE L=430 3/4F 90°-LB.	1,00			--
0029	MPVR40517		WATER TANK P190-35 PEHD BK.	1,00			--
0030	MPVR40516		TANK COVER P190-35 PA6 BL.	1,00			--
0031	MPVR89078		PLATE P190 PA6 BL.	2,00			--
0032	LAFN89079		PANEL P190 INX	1,00			--
0034	MPVR40739		TANK CAP KSM D.36.2	1,00			--
0035	MNMM93800		PRESSURE GAUGE 1/8 POST. 0-300 D.40 S/ST	1,00			--
0036	TBAP40113		POLYAMIDE HOSE L=420 1/4F GR.-1/8F MN.	1,00			--
0037	GUGO08071		O-RING D. 4.48 X 1.78 NBR 70SH	1,00	01/01/2017		--
0038	GUGO12183		O-RING D. 23.4 X 3.53 VIT 70SH	1,00	01/01/2017		--
0039	RCGR08069		TAP BODY DET. PRT	1,00	01/01/2017		--
0040	RCGR08070		ADJUSTER PRT	1,00	01/01/2017		--



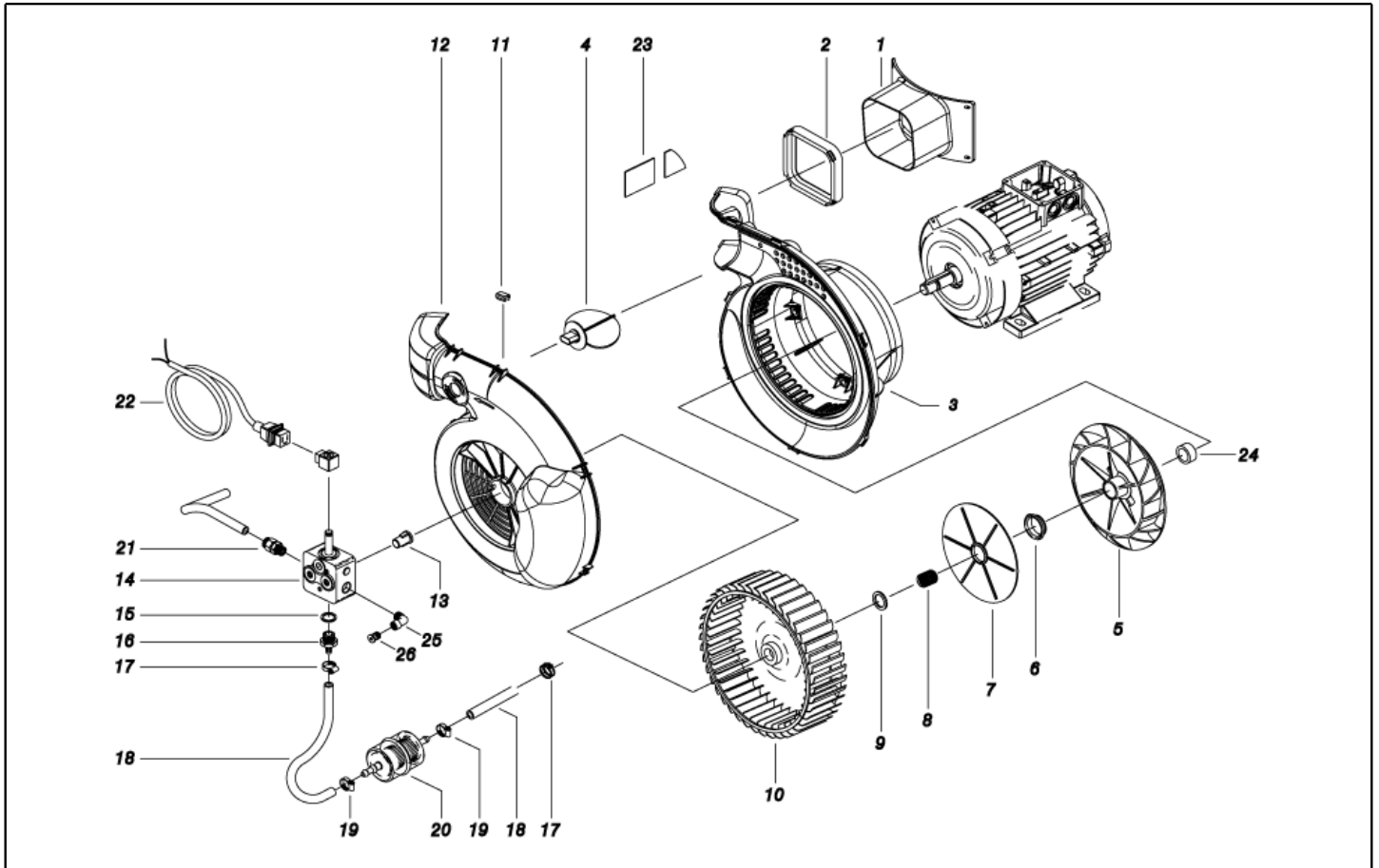
Ref. K	Part n.	Part n. 2	Description	Quantity	Validity		Price
					From	To	
0041	TBBP00051		DETERGENT HOSE D. 6-12	1,20	01/01/2017		--
0042	TBBP00051		DETERGENT HOSE D. 6-12	0,77	01/01/2017		--
0043	MLML08068		SPRING D.1,5 L.23	1,00			--
0044	VTRS00542		WASHER D.14X20	1,00			--
0045	FTAC30214		FILTER D.15X67	1,00			--
0046	GUGO37736		GASKET D. 10-19 X 5 70SH	1,00			--
0047	RCVR29600		SOCKET PTC 3/4 F	1,00			--
0048	RCVR29602		CONNECTOR D. 1/2"-5/8" PTC	1,00			--
0049	RCVR37806		REDUCTION PTC 3/4-1/2 M/F	1,00			--
0050	RCVR40113		HOSE FITTING 1/8 M D. 5- 7 NIK	2,00			--
0051	MPVR20187		RING NUT M 39 X 3	1,00			--
0052	GUGO21339		O-RING D. 29.82 X 2.62 VIT 70SH	1,00			--
0052	GUGO89386		O-RING D. 30 X 5 NBR 70SH	1,00			--
0053	RCDS25578		BUSHING IP VVW141 OT.	1,00			--
0053	MPVR40700		MANIFOLD A.CLCL PW-H35 PP NT.	1,00			--
0054	GUGO21337		O-RING D. 25.07 X 2.62 VIT 70SH	1,00			--
0054	MPVR40187		TANK CAP P215 PEHD C/F.	1,00			--
0055	RCVR00575		ELBOW 1/2" M/F A10	1,00			--
0056	LAFN40832		PLUG "U" SIST.NTC PW-H INX	1,00			--
0057	MPVR40589		BLACK KNOB ST 260 IPC	1,00	01/03/2016		--
0058	RCDS40172		SCREW 3/8 VRF-2 OT 4F.	1,00	01/03/2016		--
0059	VTRS00548		WASHER D.17,5X23X1,5 (3/8)RM	2,00	01/03/2016		--
0060	GUGO03510		O-RING D. 12.37 X 2.62 NBR 70SH	2,00	01/03/2016		--
0061	RCDS40171		SCREW G 1/2 VRF-2 OT. 2F.	1,00	01/03/2016		--
0062	VTRS00549		WASHER D.21,5X27X1,5 (1/2) RM	1,00	01/03/2016		--
0063	GUGO01048		O-RING D. 15.88 X 2.62 NBR 70SH	2,00	01/03/2016		--
0064	PVVR40273		ADAPTER VRF-2 RG.	1,00	01/03/2016		--
0065	GUGO27030		O-RING D. 6 X 3 VIT 70SH	1,00			--
0066	GUVR40089		ANTI-EXTR.RING D. 6.6X11.9X1.5 PTFE	1,00			--



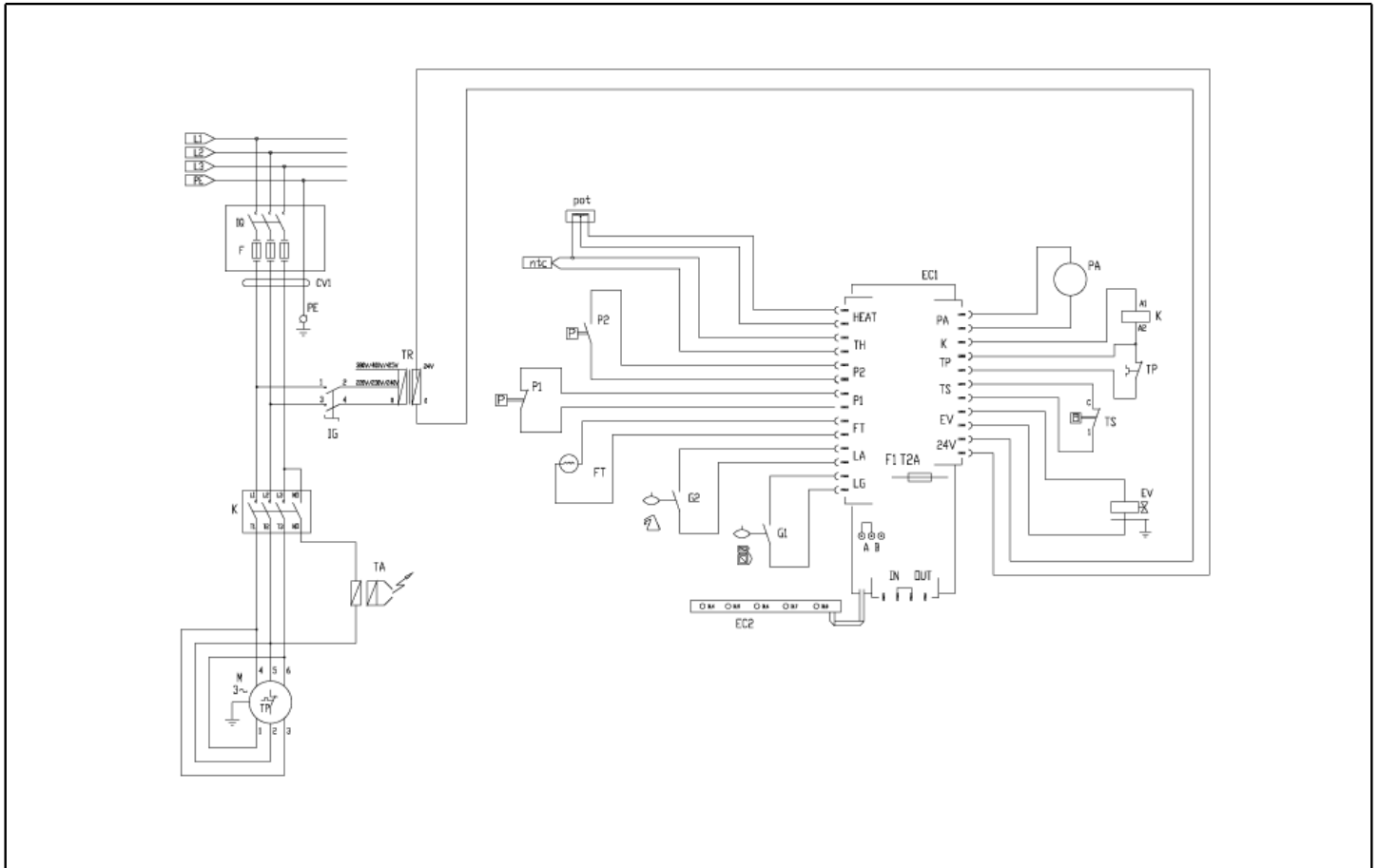
Ref. Part n.	Part n. 2	Description	Reference	Price
0008 KTRI40386		KIT P 13- 14 PW-H50/PM NTC	0008 0008 0008 0008 0008 0008 0008	--



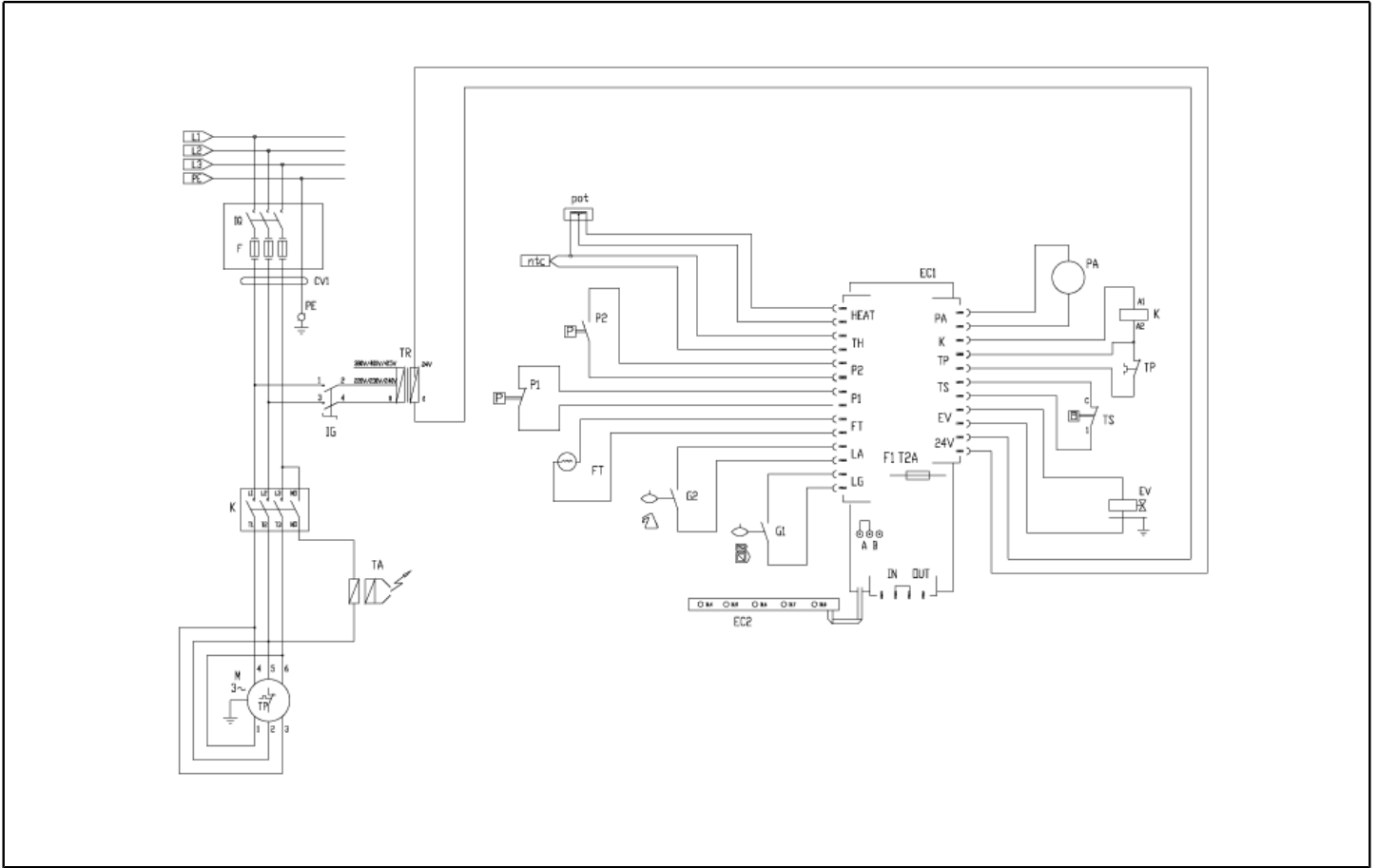
Ref. K	Part n.	Part n. 2	Description	Quantity	Validity		Price
					From	To	
0001	RCDS21120		RING NUT M 26 X 1,5	2,00			--
0002	GUGO21222		O-RING D. 15.54 X 2.62 VIT 80SH	2,00			--
0003	GUVR21021		ANTI-EXTR.RING D. 21 X17 TEF.	2,00			--
0004	LAFN44149		BOILER BOTTOM P176	1,00			--
0005	ITTE44175		BOTTOM P176 C.TE	1,00			--
0006	LAFN44151		BAND P176 INX	1,00			--
0007	LAFN40037		RING D.342 P176 ZN 2V.CPL.	1,00			--
0008	LAGR48101		DOUBLE COIL M26X1.5 P176 30MT. SP.2.6	1,00			--
0009	LASL40101		INT. CYLINDER PM INX	1,00			--
0010	LAFN40581		EXT. CYLINDER PM-H35 INX	1,00			--
0011	LAFN40269		BOILER COVER SI PM INX	1,00			--
0012	LAFN40270		BOILER COVER SE PM INX	1,00			--
0013	LAFN44244		BAFFLE P176 30M INX	1,00			--
0014	LAFN40271		PIN CH.10 X 67.7 M5M/M5M PM	3,00			--
0015	MFVR18226		ELECTR.HOLDER FUT 3°V	1,00			--
0016	LAFN07641		PLATE INX	1,00			--
0017	MECA12525		ELECTRODE FUT	1,00			--
0018	UGBR22576		BURNER NOZZLE 1.35 60 S	1,00			--
0019	RCDS07642		NOZZLE HOLDER FUT	1,00			--
0020	MPVR18228		OIL WARN-LIGHT D.17 X3	1,00			--
0021	GUGO40061		GASKET D. 10- 18 X 1 NBR	1,00			--
0022	RCVR08954		ELBOW 1/8"-4 B5	1,00			--
0023	MECB34463		CABLE BT L=800 SP. FD	1,00			--
0024	MECV35335		CABLE A.T. 9,8-23KOHMM L= 500P	2,00			--
0025	TBCO40058		DIESEL HOSE PW-H35/6-4P D. 4 IX	1,00			--
0026	LAFN40734		SUPPORT PW-H35 BK.	1,00	01/12/2019		--



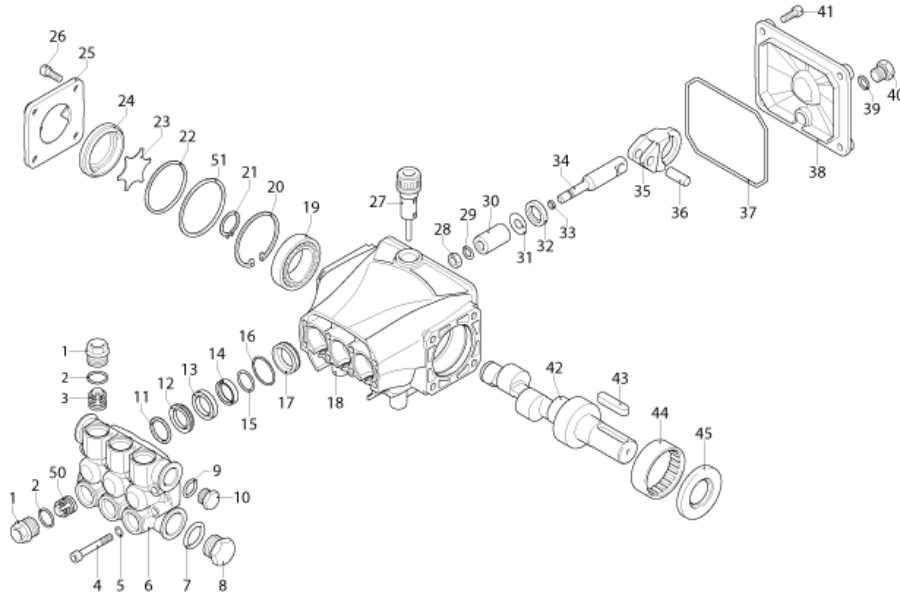
Ref. K	Part n.	Part n. 2	Description	Quantity	Validity		Price
					From	To	
0001	MPVR88426		CONVEYOR P176 PA6 BK.	1,00			--
0002	GUGO88425		GASKET P245 EPDM	1,00			--
0003	MPVR45488		SCROLL BODY P176 PP	1,00			--
0004	MPVR45445		BUTTERFLY VALVE P176 PP	1,00			--
0005	VEVR45443		MOTOR FAN P176 H 100	1,00			--
0006	LAFN45783		BUSHING D. 30 P176	1,00			--
0007	MPVR45444		SEPARATOR P176 ABS	1,00			--
0008	VTVR45002		BUSHING D. 17-19X19 CPS.	1,00			--
0009	VTAE33647		CIRCLIP D. 19 UNI 7435	1,00			--
0010	VEVR88781		IMPELLER P176 D.240 43P. 2V. PA6	1,00			--
0011	VTVR20127		CLIP KSM	8,00			--
0012	MPVR45489		VENTILATOR COV. P176 ABS	1,00			--
0013	FGGT36513		JOINT HP 0.25 AACO	1,00			--
0014	PPGS40004		FUEL PUMP DNF BFA 01R5L1	1,00			--
0015	VTRS04931		WASHER COPPER D.13X19X1.5	1,00			--
0016	RCDS00626		HOSE FITTING 1/4 M D. 5- 7	1,00			--
0017	FSVR00427		CLAMP D. 12 CLIC 66-110	2,00	01/01/2017		--
0018	TBCO06945		L.P. HOSE D. 6-12 10BAR C.PRESS	0,32			--
0018	TBCO06945		L.P. HOSE D. 6-12 10BAR C.PRESS	0,17			--
0019	FSVR11197		CLAMP D.12.9-13.6	2,00			--
0020	FTCO10912		FILTER FB 13/T NYL.	1,00			--
0021	RCVR14014		BI-CONE CONNEC. DTT 1/8" M B1 D. 2/ 4 NIK	1,00			--
0022	MECB46130		CABLE DLT L=1100	1,00			--
0025	RCVR34780		ELBOW 1/8" M/F A10	1,00	01/03/2015		--
0026	RCVR89230		CAP G 1/8 M C/O-RING.	1,00	01/03/2015		--



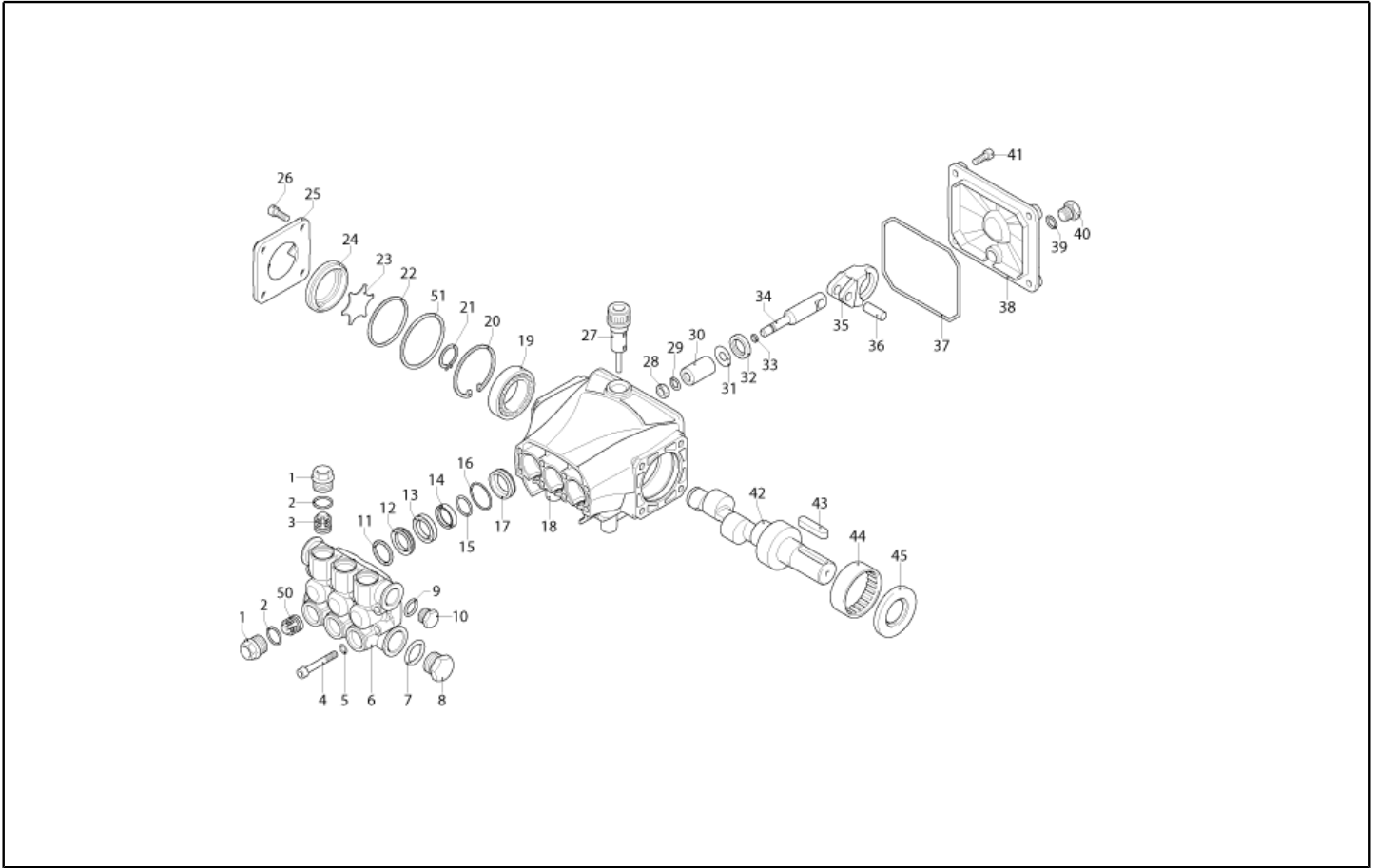
Ref. K	Part n.	Part n. 2	Description	Quantity	Validity		Price
					From	To	
K	METT40019		CONTACTOR SIE 3RT 2025-1AC20 24V	1,00			--
EC	MECE40030		CABLE CLAMPING SHUNT 2.54	1,00			--
EC	MECE40045		PCB PW T-SI/MP V.PL.+CO-Ntc	1,00			--
EV	MEBE43704		COIL DNF 24-50	1,00			--
FT	MECF40008		PHOTOELET.CELL FT13/R MM1000 W	1,00			--
G1	MECI40006		SENSOR LEVEL S1 PML.XD.FPJ FST.	1,00			--
G2	MECI34444		SWITCH REED N.C.H185 L=1300	1,00			--
IG	MECI40020		SWITCH BRM BP. 0-1 12A	1,00			--
P1	MEPF40035		PRESSURE SWITCH PR 5 1/8M 40BAR	1,00			--
P2	MEPF62126		PRESSURE SWITCH PR 5 1/4M 40BAR	1,00			--
TA	METR88630		TRANSFORMER 23/240V-5/60HZ 2X26KV TR.	1,00			--
TR	METR40018		TRANSFORMER 25VA 230-400/24 5/60HZ PM	1,00			--
TS	METK34839		THERMOSTAT 60°C TR/711-N C.1.5	1,00			--
CV1	MECB40146		CABLE H07 RNF 4X2.5 L=6.800	1,00			--
EC2	MECE40041		PCB LED PW 4/5 GR. FLT.	1,00			--
NTC	MEVR40150		PROBE NTC/150 IP65 C.1000	1,00			--
POT S	MEVR40149		POTENTIOMETER VSH P11S1V0FLSY 5/10K LN.	1,00			--



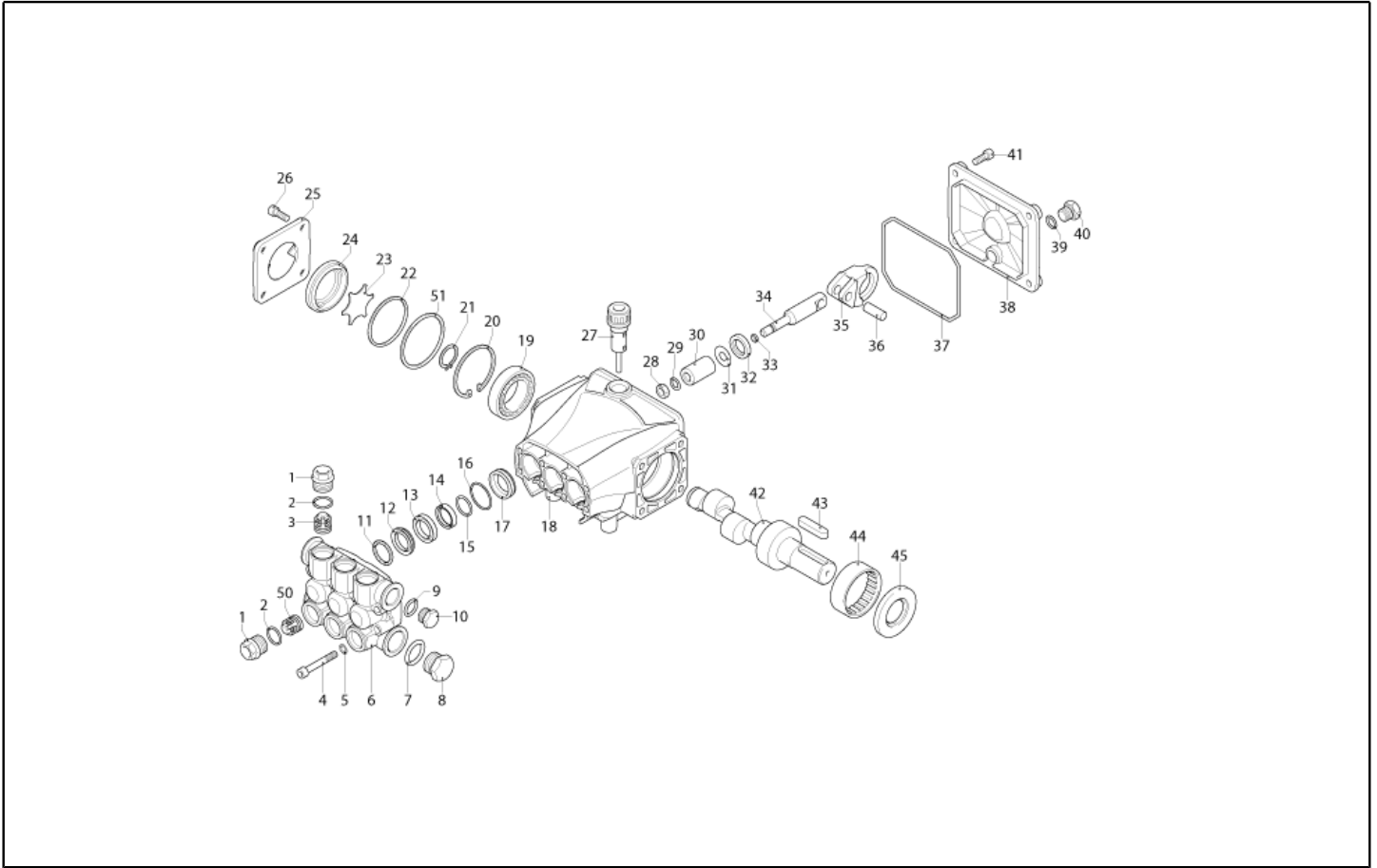
Ref. Part n.	Part n. 2	Description	Reference	Price
POT KTRI40415		KIT P 20- 4 POT. VSH P11 PW-H	POT 0017 0018 0053 0054 0055	--



Ref. K	Part n.	Part n. 2	Description	Quantity	Validity		Price
					From	To	
0001	PVVR40120		CAP AR RC	6,00			--
0002	GUGO03505		O-RING D. 15.6 X 1.78 NBR 70SH	6,00			--
0003	S VVAM40002		VALVE UNIT RC	6,00		31/07/2012	--
0003	S VVAM40002		VALVE UNIT RC	3,00	01/08/2012		--
0004	VTVT06236		SCREW TCCE UNI 5931 6X40 ZB	8,00			--
0005	VTRS01077		WASHER D. 6.4X10X0,7	8,00			--
0006	MFVR40019		HEAD AR RC OT.	1,00			--
0007	GUGO19245		O-RING D. 17.5 X 2 NBR 70SH	1,00			--
0008	PVVR40121		CAP 1/2 M RC	1,00			--
0009	GUGO09720		O-RING D. 14 X 1.78 NBR 70SH	1,00			--
0010	PVVR40099		CAP 3/8 M HRM	1,00			--
0011	S PVVR40122		HEAD RING D. 18 RC	3,00			--
0012	S GUVR40035		PACKING D. 18 RC H.P.	3,00			--
0013	PVVR40123		INTERMED. RING D. 18 RC	3,00			--
0014	S GUVR40036		PACKING D. 18 RC L.P.	3,00			--
0015	S GUVR40037		ANTI-EXTR.RING D.21	3,00			--
0016	S GUGO19290		O-RING D. 23.52 X 1.78 NBR 70SH	3,00		31/03/2014	--
0016	S GUGO08182		O-RING D. 21.91 X 1.78 NBR 70SH	3,00	01/04/2014		--
0017	PVVR40124		PACKING RETAIN. D. 18 RC	3,00			--
0018	MFVR40020		PUMP CRANKCASE AR RC	1,00		31/03/2014	--
0018	MFVR40027		PUMP CRANKCASE AR RCS	1,00	01/04/2014		--
0019	CUVR28336		BALL BEARING 6304	1,00			--
0020	VTAE09661		CIRCLIP D. 52 UNI 7437	1,00			--
0021	VTAE06193		CIRCLIP D. 20 UNI 7435	1,00			--
0022	GUGO02561		O-RING D. 47.3 X 2.62 NBR 70SH	1,00			--
0023	PVVR40125		DISC RC	1,00		31/03/2016	--
0023	PVVR40472		OIL INDICATOR RC CPL.	1,00	01/04/2016		--
0024	PVVR40126		OIL INDICATOR RC	1,00		31/03/2016	--
0025	MFVR40021		CRANKCASE COVER AR RC LT.	1,00			--
0026	VTVT01531		SCREW TE 6X 16 UNI 5739	4,00			--
0027	PVVR19231		OIL CAP XTS	1,00		31/03/2014	--
0027	PVVR40436		OIL CAP RC	1,00	01/04/2014		--
0028	VTDD00483		NUT M 8 ZIN UNI 5588	3,00			--
0029	VTRS19394		WASHER D. 8X13X0,5	3,00			--
0030	S PIVR40005		PISTON D.18X30 RC	3,00			--
0031	PVVR19233		DISC XTS	3,00			--
0032	S GUGO09690		OIL SEAL 15X 24X 5 NBR70	3,00			--
0033	GUGO08071		O-RING D. 4.48 X 1.78 NBR 70SH	3,00			--
0034	PVVR40127		PISTON GUIDE RC	3,00			--
0035	BLVR40001		CONNECTING ROD RC	3,00			--
0036	PVVR40128		GUDGEON D. 9X23 RC	3,00			--
0037	GUGO18695		O-RING D. 101.27 X 2.62 NBR 70SH	1,00			--
0038	MFVR40022		CRANKCASE COVER AR RC	1,00			--
0039	GUGO01036		O-RING D. 10.82 X 1.78 NBR 70SH	1,00			--



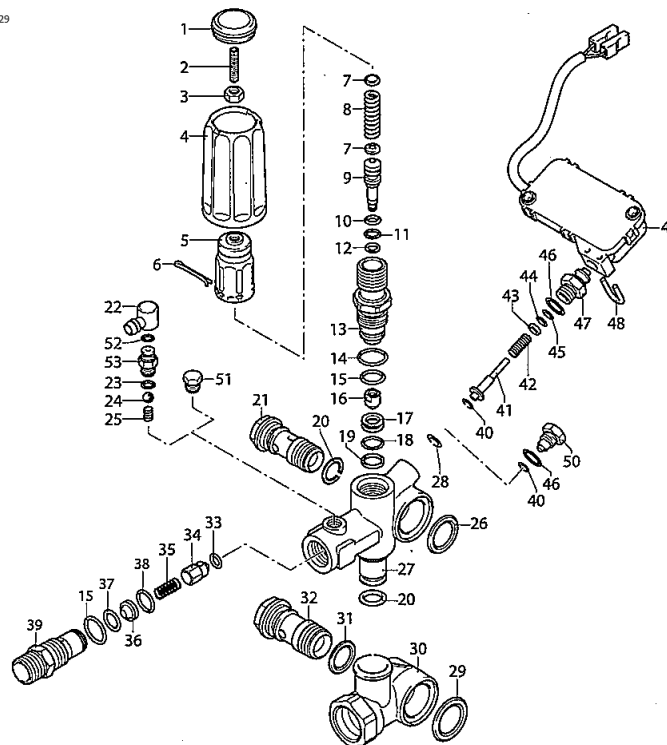
Ref. K	Part n.	Part n. 2	Description	Quantity	Validity		Price
					From	To	
0040	PVVR40129		CAP 1/4 M RC	1,00			--
0041	VTVT09913		SCREW TCEI 6X16 UNI5931	4,00			--
0042	ALMO40006		SHAFT AR RC 14LT VRS. N	1,00			--
0043	VTVR41531		KEY 8X 7X35 UNI 6604A	1,00			--
0044	CUVR23636		ROLLER BEARING HK 4516	1,00			--
0045	S	GUGO00999	OIL SEAL 25X 52X 7 NBR70	1,00			--
0050	S	VVAM40007	VALVE UNIT RC ASP. BK	3,00	01/08/2012		--
0051	PVVR40437		RING D. 51.8 X0.5	1,00	01/04/2014		--



Ref. Part n.	Part n. 2	Description	Reference	Price
KTRI40092		KIT P 15-2186 RC	0003	--
KTRI40093		KIT P 15-42917 RC	0030	--
KTRI40094		KIT P 15-42919 D.18 RC	0012 0014 0015 0016	--
KTRI40095		KIT P 15-42903 D.18 RC	0011	--
KTRI40096		KIT P 15-42918 RC	0032 0045	--
KTRI40207		KIT P 15-42914 RC 3+3 BL./WH.	0003 0050	--

VRZ TSS + ID

KIT F = pos. 10 11 14 15 18 19 20 23 28 29
31 33 37 38 40 44 45 46

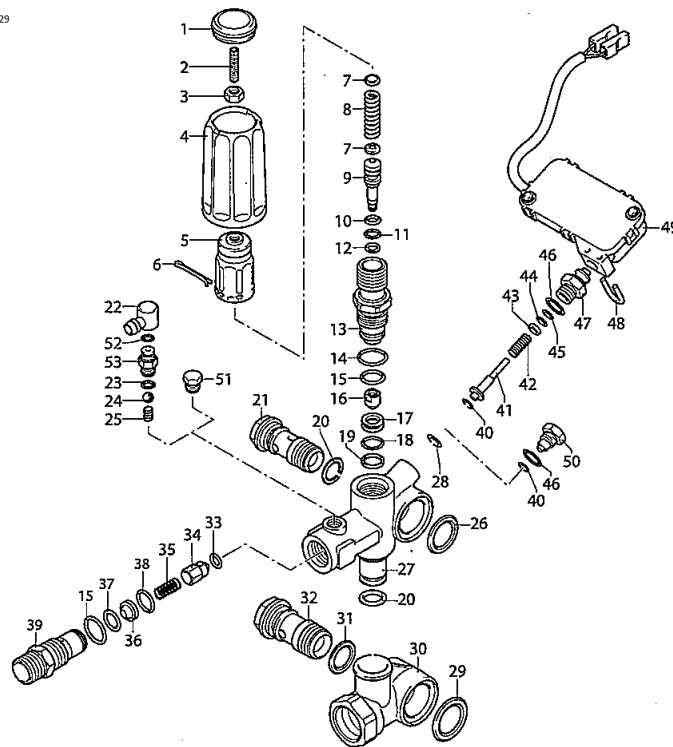


UN_00_4104-FR

Ref. K	Part n.	Part n. 2	Description	Quantity	Validity		Price
					From	To	
0001	PVVR40241		CAP VRC-BM	1,00			--
0002	VTVT40051		SCREW STEI M 6X25	1,00			--
0003	PVVR40292		NUT AR	1,00			--
0004	PVVR40418		KNOB VRZ	1,00			--
0005	PVVR40236		KNOB M.MT/4B	1,00			--
0006	VTVR40025		SPLIT PIN D. 2,6X15	1,00			--
0007	PVVR40067		SPRING PLATE AR XJS	2,00			--
0008	PVVR40419		SPRING VALVOLA VRZ	1,00			--
0009	PVVR40420		PISTON VRC-BM	1,00			--
0010	S GUGO40046		O-RING D. 6.02 X 2.62 NBR 90SH	1,00			--
0011	S GUGO12489		O-RING D. 6.07 X 1.78 NBR 70SH	1,00			--
0012	GUVR40072		ANTI-EXTR.RING D. 6.5X 9.4	1,00			--
0013	PVVR40421		PISTON GUIDE VRZ	1,00			--
0014	S GUGO03505		O-RING D. 15.6 X 1.78 NBR 70SH	1,00			--
0015	S GUGO11652		O-RING D. 12.42 X 1.78 NBR 70SH	2,00			--
0016	PVVR40423		COUPLING AR VRZ	1,00			--
0017	PVVR40424		VALVE SEAT AR VRZ	1,00			--
0018	S GUGO19194		O-RING D. 11.11 X 1.78 NBR 70SH	1,00			--
0019	S GUVR40085		ANTI-EXTR.RING D. 14 X11,8X1	1,00			--
0020	S GUGO01047		O-RING D. 11.91 X 2.62 NBR 70SH	2,00			--
0021	RCDS40068		SCREW G 3/8 M.MATIC 4/B OT.	1,00			--
0026	GUGO40057		O-RING D. 20.29 X 2.62-NBR 70SH	1,00			--
0027	PVVR40427		VALVE BODY VRZ	1,00			--
0028	S GUGO40031		O-RING D. 3.68 X 1.78 NBR 90SH	1,00			--
0029	S GUGO76542		O-RING D. 23.47 X 2.62 NBR 70SH	1,00			--
0030	PVVR40428		BODY VALVOLA VRZ	1,00			--
0031	S GUGO01058		O-RING D. 17.17 X 1.78 NBR 70SH	1,00			--
0032	RCDS40070		SCREW G 1/2 M.MATIC 4/B	1,00			--
0033	S GUGO12494		O-RING D. 4 X 2.5 -NBR 70SH	1,00			--
0034	PVVR40422		COUPLING AR VRZ	1,00			--
0035	PVVR40252		SPRING VRC-BM	1,00			--
0039	RCDS40192		NIPPLE G 3/8 VRZ	1,00			--
0040	S GUVR40084		ANTI-EXTR.RING PARBAK 8-007	1,00		31/01/2016	--
0040	S GUVR40094		ANTI-EXTR.RING D. 4.2X 7 X1 PTFE+BZ	1,00	01/02/2016		--
0041	PVVR40425		CONTOL ROD AR TSS VRZ	1,00		31/01/2016	--
0041	S PVVR40470		CONTOL ROD AR TSS VRZ.Evo	1,00	01/02/2016		--
0042	PVVR40429		SPRING VALVOLA VRZ	1,00			--
0043	PVVR40430		WASHER VALVOLA VRZ	1,00			--
0044	S GUGO19207		O-RING D. 1.78 X 1.78 NBR 70SH	1,00			--
0045	S GUVR40086		ANTI-EXTR.RING D. 4,9X 2 X1,3	1,00			--
0046	S GUGO06988		O-RING D. 7.66 X 1.78 NBR 70SH	1,00			--
0047	PVVR40431		CONNECTOR VALVOLA VRZ	1,00			--
0048	LAFN40212		PLUG "U" AR TSS	1,00			--
0049	PVVR40433		PRESSURE SWITCH TTS VRZ marc. AB	1,00			--

VRZ TSS + ID

KIT F = pos. 10 11 14 15 18 19 20 23 28 29
31 33 37 38 40 44 45 46

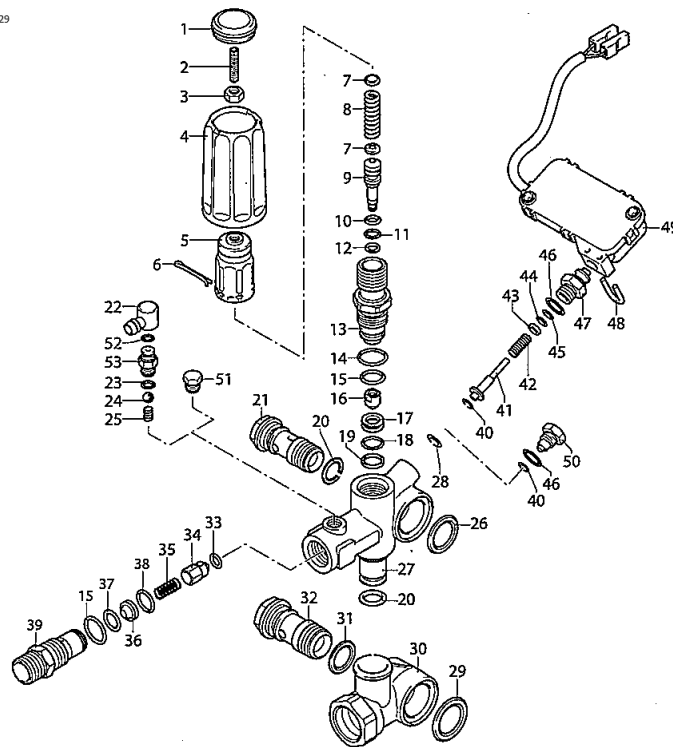


UN_00_4104-FR

Ref. K	Part n.	Part n. 2	Description	Quantity	Validity		Price
					From	To	
0051	RCDS19214		CAP 1/8 M	1,00			--

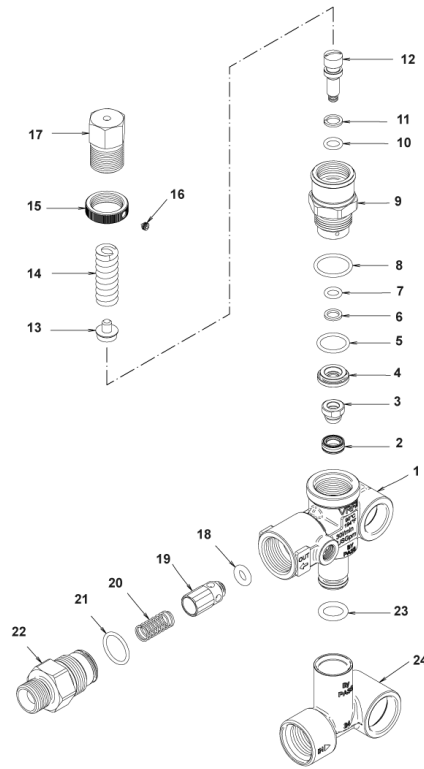
VRZ TSS + ID

KIT F = pos. 10 11 14 15 18 19 20 23 28 29
31 33 37 38 40 44 45 46

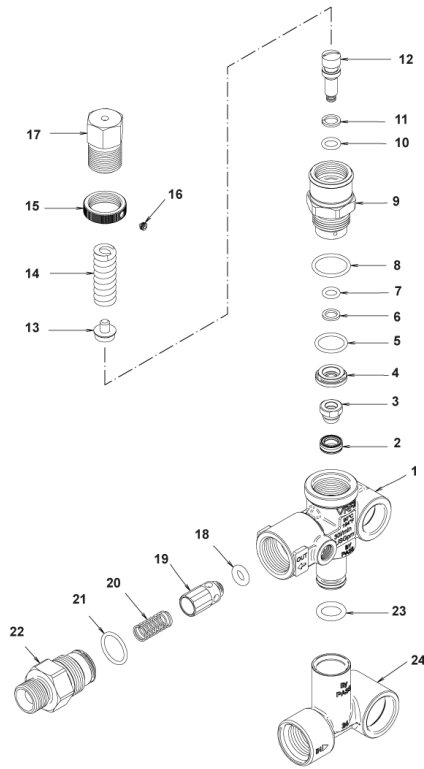


UN_00_4104-FR

Ref. Part n.	Part n. 2	Description	Reference	Price
KTRI40394		KIT P 14-43234 VRZ.Evo	0028 0040 0041	--
F KTRI40293		KIT P SET O-RING VALVOLA VRZ	0010 0011 0014 0015 0018 0019 0020 0023 0028 0029 0031 0033 0037 0038 0040 0044 0045 0046	--



Ref. K	Part n.	Part n. 2	Description	Quantity	Validity		Price
					From	To	
0001	PVVR40375		VALVE BODY VRF2 +G1/8 F	1,00			--
0002	S	PVVR40363	VALVE SEAT MV124 +OR	1,00			--
0003	S	PVVR40364	COUPLING MV124	1,00			--
0004	S	PVVR40365	SPACER MV124	1,00			--
0005	S	GUGO12322	O-RING D. 14 X 1.78 NBR 90SH	1,00			--
0006	S	GUVR40072	ANTI-EXTR.RING D. 6.5X 9.4	1,00			--
0007	S	GUGO83861	O-RING D. 6.07 X 1.78 NBR 90SH	1,00			--
0008	S	GUGO24913	O-RING D. 17.17 X 1.78 NBR 90SH	1,00			--
0009	S	PVVR40366	CONNECTOR VRF2 D.10	1,00			--
0010	S	GUGO03500	O-RING D. 6.75 X 1.78 NBR 70SH	1,00			--
0011	S	GUVR40073	ANTI-EXTR.RING D. 7.1X10 X1.2 TBT	1,00			--
0012	S	PVVR40367	SMALL PISTON D.10 VRF2	1,00			--
0013		PVVR40368	SPRING PLATE MV124 25B	1,00			--
0014		MLML40027	SPRING D. 3.0/6.0 X38.85	1,00			--
0015		PVVR40369	RING NUT MV167.09	1,00			--
0016		VTVT89696	SCREW EI-ST 4X 4 UNI5927 ZC	1,00			--
0017		PVVR40370	CAP VRF2 M18X1	1,00			--
0018	S	GUGO46053	O-RING D. 6 X 3 NBR 90SH	1,00			--
0019	S	PVVR40349	COUPLING VRT3	1,00			--
0020	S	MLML40026	SPRING VRT3	1,00			--
0021	S	GUGO12321	O-RING D. 15.6 X 1.78 NBR 90SH	1,00			--
0022		PVVR40525	CONNECTOR VRT3 G 3/8M	1,00			--
0023		GUGO11225	O-RING D. 10.78 X 2.62 NBR 70SH	1,00			--
0024		PVVR40373	CONNECTOR VRF2.24	1,00			--



Ref. Part n.	Part n. 2	Description	Reference	Price
KTRI40236		KIT P 14-103 VRF2	0002 0003 0004 0005 0006 0007 0008 0009 0010 0011 0012 0018 0019 0020 0021	--
KTRI40237		KIT P 14-104 SEAL VRF2	0002 0003 0005 0006 0007 0008 0010 0011 0018 0021	--