

Integrated Professional Cleaning



IPC Foma



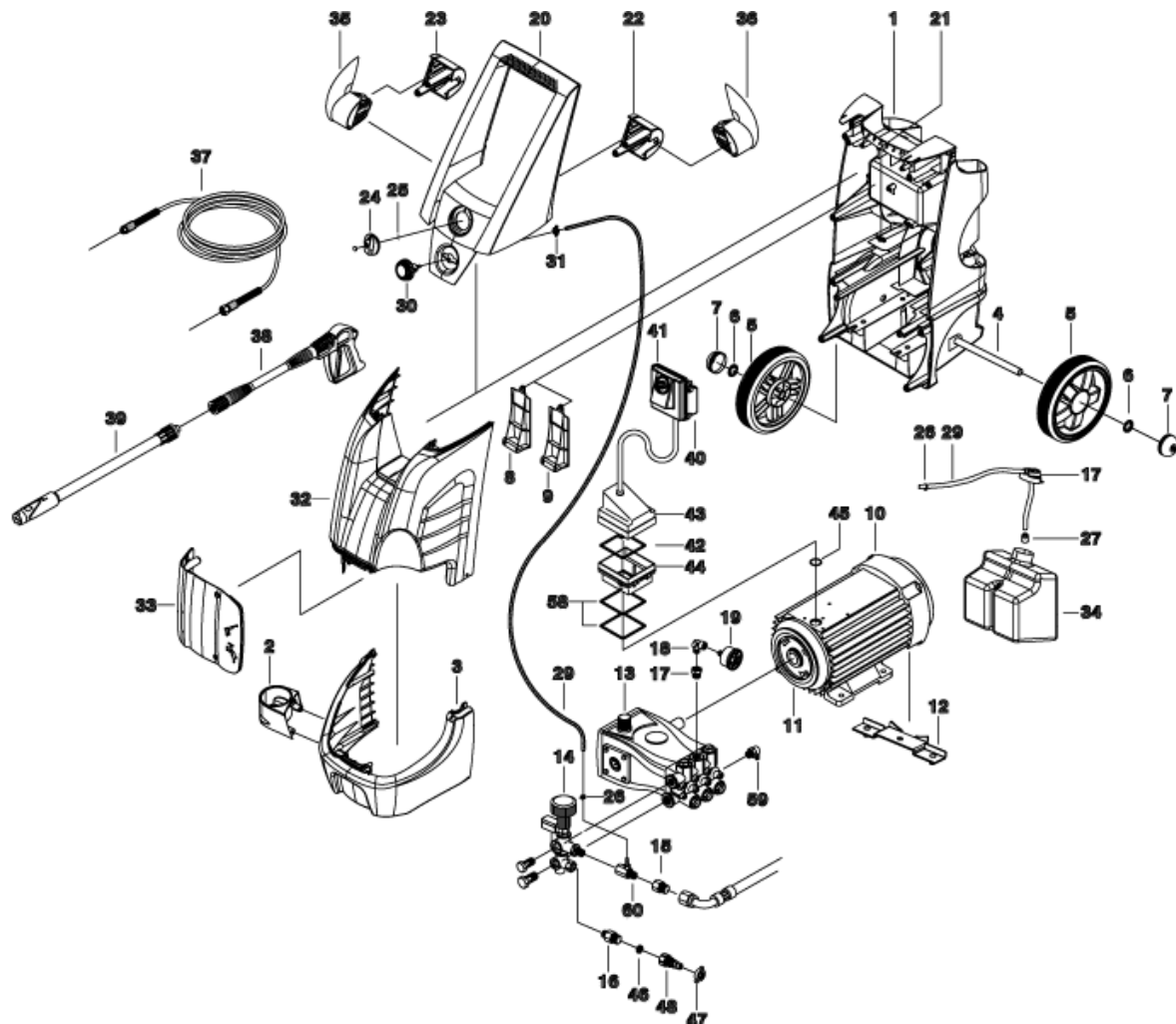
IPC Sverige

Spare Parts List

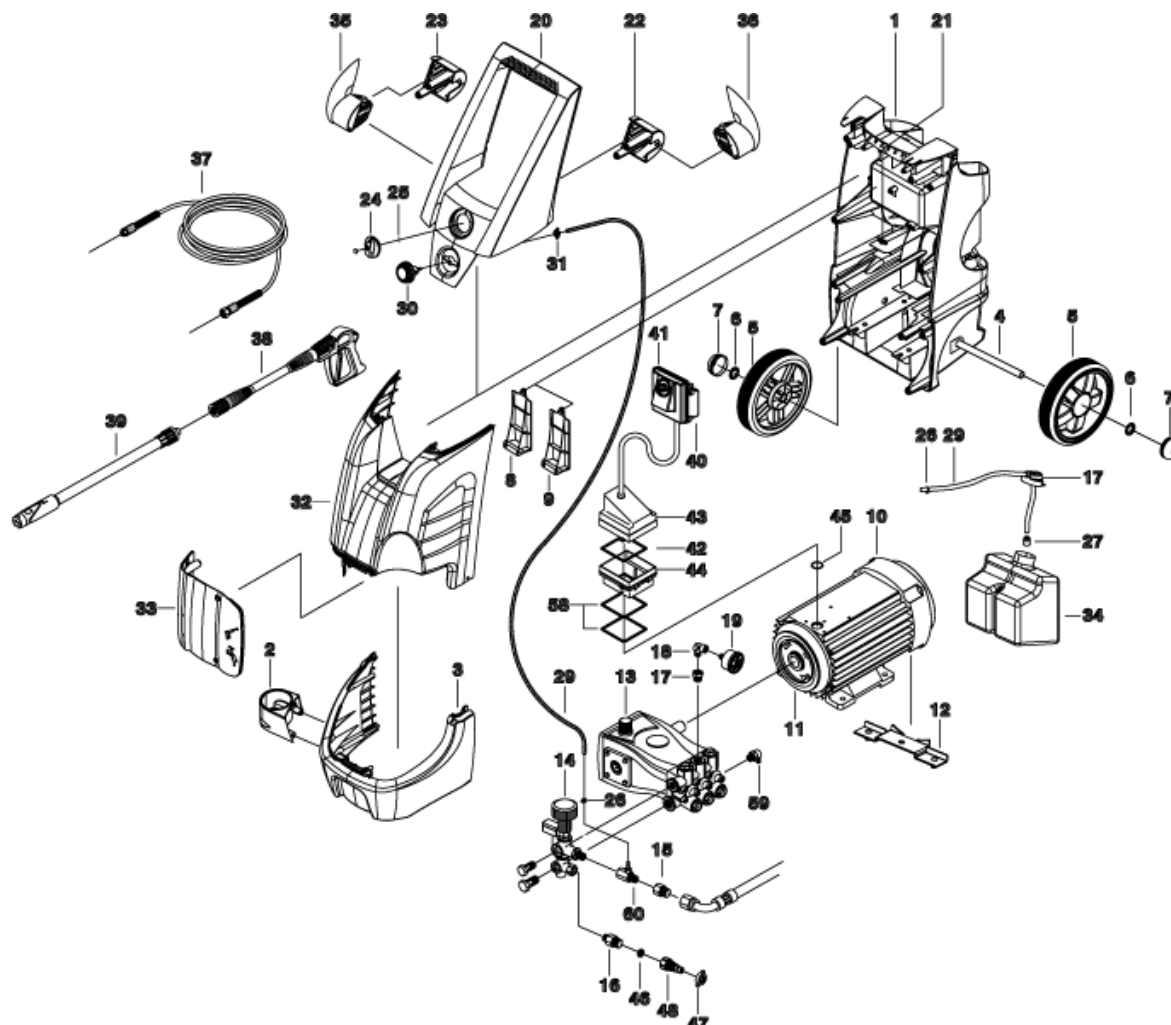
FOMA NORGE AS

Ref: IDAF94166

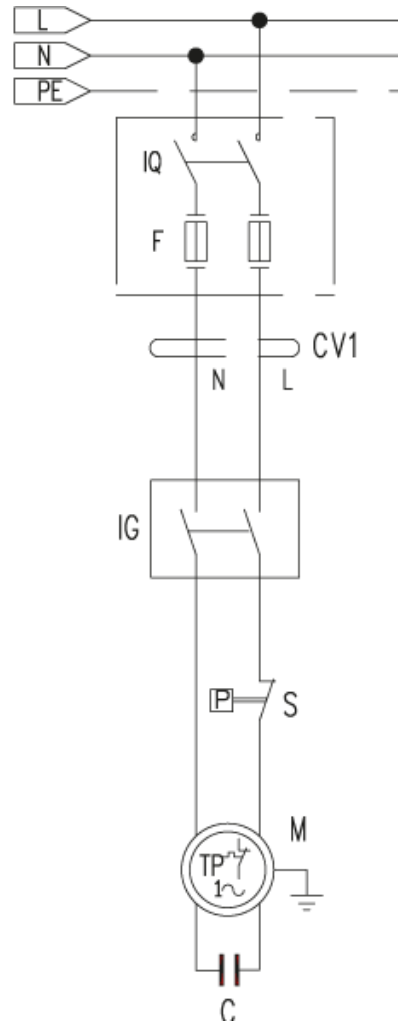
Model: IDROP PW-C25 I1509P M 230/50 3-09IPC



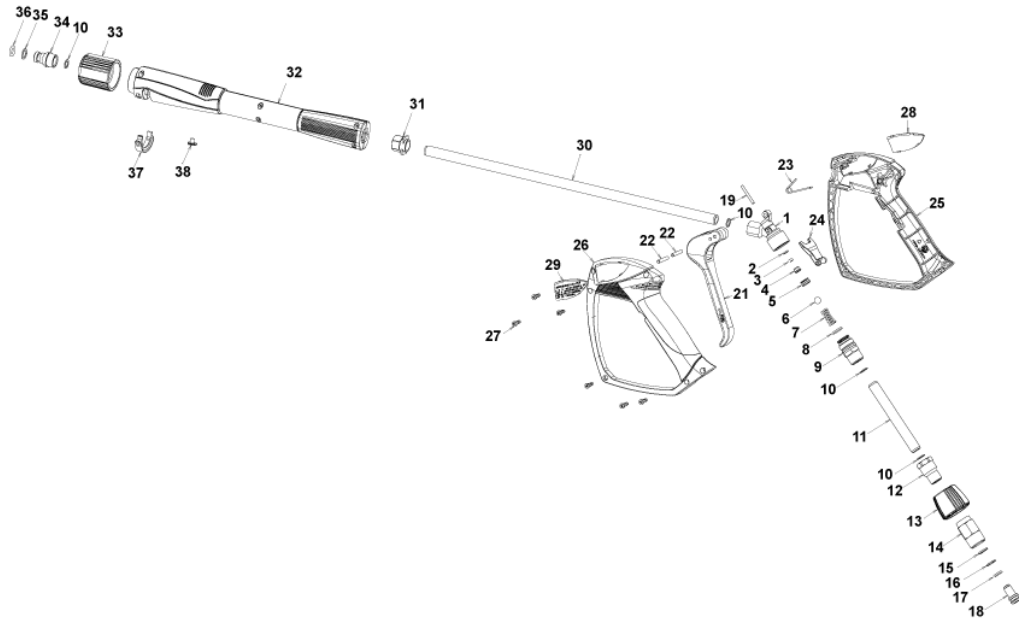
| Ref. | K | Part N. | Customer Part N. | Description | Qty | Validity: | | Price |
|------|---|-----------|------------------|------------------------------------------|------|-----------|----|-------|
| | | | | | | From | To | |
| 0001 | | MPVR94335 | | FRAME "SERIE G-LINE" M90 | 1,00 | | | -- |
| 0002 | | MPVR94333 | | SUPPORT LANC."G-LINE" NERO | 1,00 | 08/2012 | | -- |
| 0003 | | MPVR94331 | | BAND ANT. "G-LINE" NERA | 1,00 | | | -- |
| 0004 | | LAFN92146 | | WHEELS AXLE G LINE. AC ZC. | 1,00 | 05/2012 | | -- |
| 0005 | | RTRT91967 | | WHEEL D.200 "SERIE G" GRIGIA | 2,00 | | | -- |
| 0006 | | VTRS60945 | | WASHER D.15 | 2,00 | | | -- |
| 0007 | | MPVR91970 | | GREY HUB CAP "SERIE G" | 2,00 | | | -- |
| 0008 | | MPVR93244 | | PLATE TELAIO "SERIE G" DX | 1,00 | | | -- |
| 0009 | | MPVR93245 | | PLATE TELAIO "SERIE G" SX | 1,00 | | | -- |
| 0010 | | MOMO93814 | | ELECTRIC ENGINE G-LINE 3000W 230-50 | 1,00 | | | -- |
| 0011 | | MFVR94096 | | SHIELD ANT. "G-LINE L" M/80 | 1,00 | | | -- |
| 0012 | | LAFN93849 | | BRACKET ADAT. MOT. M/80 x "G-line | 1,00 | | | -- |
| 0013 | | VTVR16617 | | KEY 6X 6X30 UNI 6604 | 1,00 | | | -- |
| 0013 | | PPAP40083 | | PUMP RCS 8.17 DX B | 1,00 | | | -- |
| 0014 | | VVAZ40047 | | VALVE AR M.MATIC 4/B-RC+TS/ 1.6 | 1,00 | 06/2012 | | -- |
| 0016 | | RCDS87610 | | NIPPLE 3/4 - 1/2 CB D.13.0 | 1,00 | | | -- |
| 0017 | | PVVR40183 | | CAP AR RC C/F. 1/8F+OR | 1,00 | | | -- |
| 0018 | | RCVR34780 | | ELBOW 1/8" M/F A10 | 1,00 | | | -- |
| 0019 | | MNMN93800 | | PRESSURE GAUGE 1/8 POST. 0-300 D.40 S/ST | 1,00 | | | -- |
| 0020 | | MPVR92124 | | HANDLE "SERIE PRO" BOSCH | 1,00 | | | -- |
| 0021 | | MPVR60495 | | CLAMP HOBBY | 1,00 | | | -- |
| 0022 | | MPVR92113 | | HOSE WIND.SUPP."SERIE G" SX | 1,00 | | | -- |
| 0023 | | MPVR92114 | | HOSE WIND.SUPP.DX "SERIE G" S/AVTB | 1,00 | | | -- |
| 0024 | | MPVR93837 | | SWITCH KNOB SERIE "G" | 1,00 | 04/2012 | | -- |
| 0025 | | GUGO01060 | | O-RING D. 9.92 X 2.62 NBR 70SH | 1,00 | | | -- |
| 0026 | | FSVR72803 | | CLAMP D 9.3 - 9.9 | 2,00 | | | -- |
| 0027 | | MPVR60422 | | SUCTION FILTER DETERG.HOBBY 90 | 1,00 | | | -- |
| 0028 | | MPVR91923 | | TANK CAP "G160" | 1,00 | | | -- |
| 0029 | | TBBP93804 | | L.P. HOSE D. 6- 9 | 1,07 | 09/2012 | | -- |
| 0030 | | MPVR93459 | | WING NUT RUBINETTO 3VIE H122 | 1,00 | | | -- |
| 0031 | | RCGR93687 | | TAP "G" TAMP. 1T | 1,00 | | | -- |
| 0032 | | MPVR94330 | | GREEN COVER "G-LINE" P.368C | 1,00 | | | -- |
| 0033 | | MPVR94332 | | FRONT PANEL "G-LINE" TRASPARENTE | 1,00 | | | -- |
| 0034 | | MPVR92133 | | DETERGENT TANK "SERIE G" LT 3 | 1,00 | | | -- |
| 0035 | | MPVR92116 | | HOOK "SERIE G" DX | 1,00 | | | -- |
| 0036 | | MPVR92117 | | HOOK "SERIE G" SX | 1,00 | | | -- |
| 0037 | | TBAP28305 | | H.P. HOSE SAE MT 8 D.6 IRV F-F KSM | 1,00 | 04/2012 | | -- |
| 0038 | | IPPR40010 | | GRIP G 5100+P.330 +M22 SW.M V | 1,00 | | | -- |
| 0039 | | LCPR40057 | | EXTENSION P 580 - T10P 1.20 GI | 1,00 | | | -- |



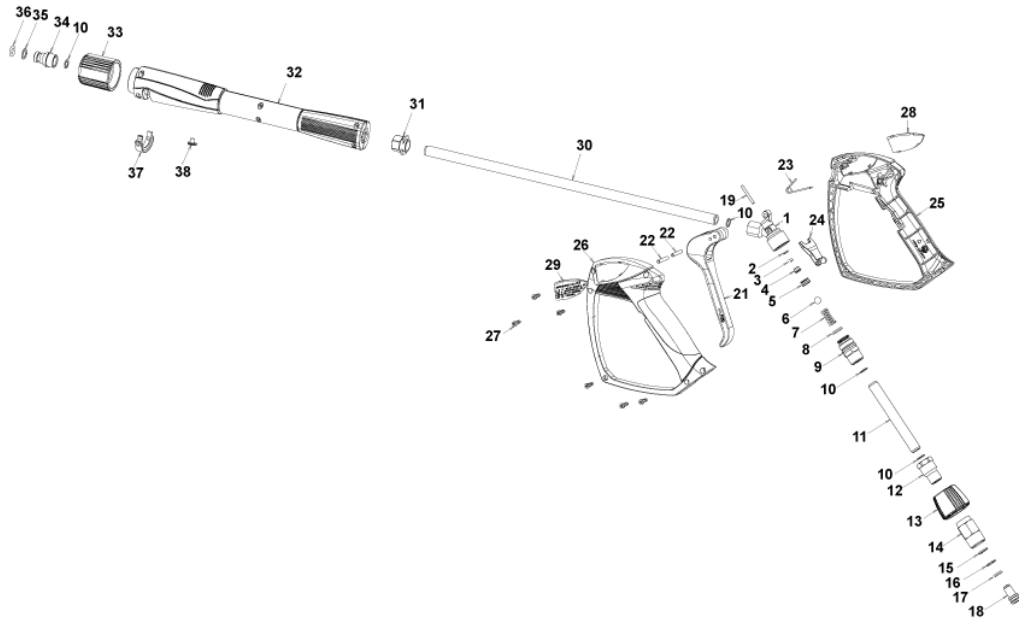
| Ref. K | Part N. | Customer Part N. | Description | Qty | Validity: | | Price |
|--------|-----------|------------------|------------------------------------|------|-----------|---------|-------|
| | | | | | From | To | |
| 0040 | MPVR91921 | | BUSHING SCAT.EL. SERIE "G" | 1,00 | | | -- |
| 0041 | MPVR91919 | | BOX COVER "G160" | 1,00 | | | -- |
| 0042 | GUGO33675 | | JOINT MOUSSE D. 4 | 0,40 | 08/2012 | | -- |
| 0042 | GUVR82555 | | JOINT D. 4 | 0,40 | | 07/2012 | -- |
| 0043 | MPVR91924 | | BOX COVER "G" | 1,00 | | | -- |
| 0044 | MPVR94338 | | BASE-SUPPORT SC. EL. H112 "G-LINE" | 1,00 | | | -- |
| 0045 | GUGO63500 | | O-RING D. 19 X 2 NBR 70SH | 1,00 | | | -- |
| 0046 | FTAC91274 | | WATER FILTER 3/4 M.F. | 1,00 | | | -- |
| 0047 | RCVR29602 | | CONNECTOR D. 1/2"-5/8" PTC | 1,00 | | | -- |
| 0048 | RCVR29600 | | SOCKET PTC 3/4 F | 1,00 | | | -- |



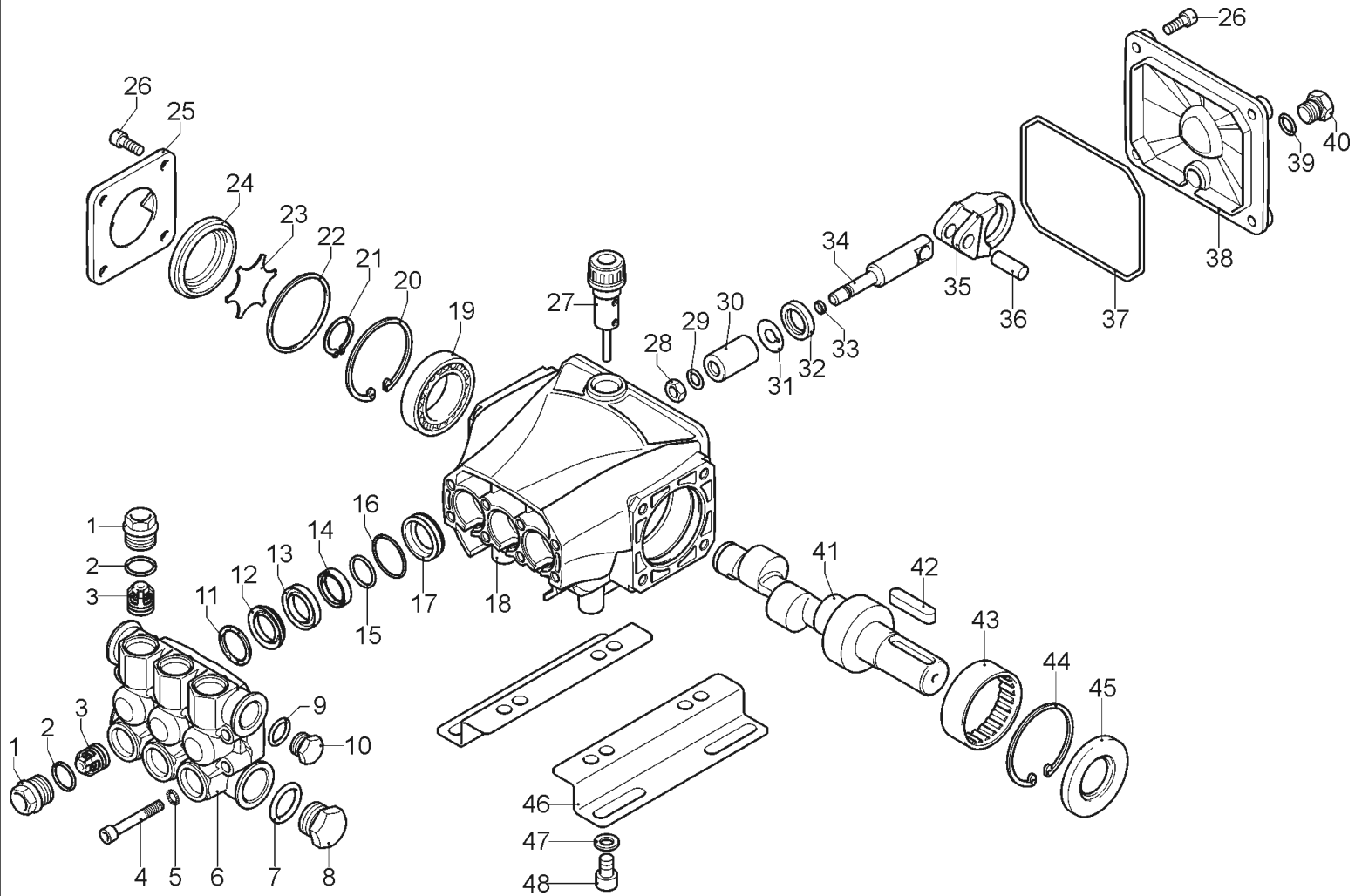
| Ref. | K | Part N. | Customer Part N. | Description | Qty | Validity: | | Price |
|------|---|-----------|------------------|---------------------------------|------|-----------|----|-------|
| | | | | | | From | To | |
| C | | MECO61716 | | CAPACITOR 50 MF 400/450V | 1,00 | | | -- |
| IG | | MECI93803 | | SWITCH AQUA 3022/56 A AC + HOLE | 1,00 | | | -- |
| CV1 | | MECB93854 | | CABLE H05VVF 3X1,5 MT 5,5 +SCH | 1,00 | | | -- |



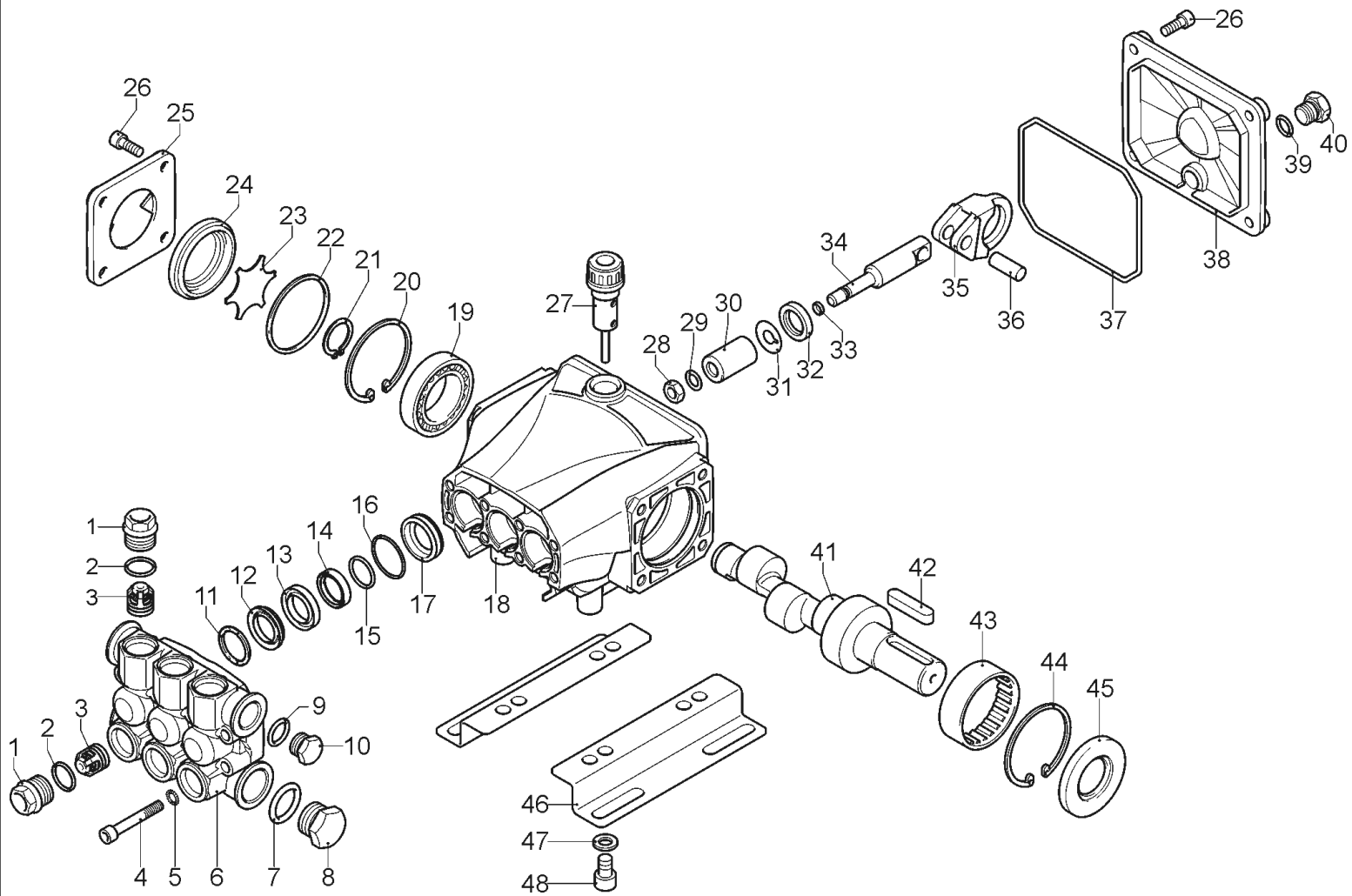
| Ref. | K | Part N. | Customer Part N. | Description | Qty | Validity: From To | Price |
|------|---|-----------|------------------|---------------------------------|------|----------------------|-------|
| 0001 | | PVVR40381 | | GUN BODY G 5100 G1/4F | 1,00 | | -- |
| 0002 | S | GUVR40074 | | ANTI-EXTR.RING D. 3 X 7.4X1.3 | 1,00 | | -- |
| 0003 | S | GUGO21835 | | O-RING D. 2.84 X 2.62 VIT. 80SH | 1,00 | | -- |
| 0004 | | PVVR40382 | | PISTON GUIDE G 5100 | 1,00 | | -- |
| 0005 | S | PVVR40112 | | BALL SEAT G 5000 | 1,00 | | -- |
| 0006 | S | SFVR27026 | | BALL D.11/32" INX | 1,00 | | -- |
| 0007 | | MLML40016 | | SPRING D. 8.5 G 5000 | 1,00 | | -- |
| 0008 | | GUGO12322 | | O-RING D. 14 X 1.78 NBR 90SH | 1,00 | | -- |
| 0009 | | PVVR40383 | | CONNECTOR COLL.G5100 1/4F | 1,00 | | -- |
| 0010 | | VTRS40017 | | WASHER D. 8,2X11,4X1,00 AL | 4,00 | | -- |
| 0011 | | PVVR40384 | | TUBE G 1/4" L.105 | 1,00 | | -- |
| 0012 | | RCIN40022 | | CONNECTOR SWIV G5100 1/4F | 1,00 | | -- |
| 0013 | | MPVR40486 | | RING NUT G 5100 SW. GR. | 1,00 | | -- |
| 0014 | | RCIN40021 | | JOINT SWIV 5100 M22 | 1,00 | | -- |
| 0015 | S | GUVR40075 | | ANTI-EXTR.RING D. 10 X14X1.5 | 1,00 | | -- |
| 0016 | S | GUVR40076 | | ANTI-EXTR.RING D. 11.2X14X1.2 | 1,00 | | -- |
| 0017 | S | GUGO15295 | | O-RING D. 10.82 X 1.78 VIT 80SH | 1,00 | | -- |
| 0018 | | PVVR40386 | | SCREW SW. G 5100 | 1,00 | | -- |
| 0019 | | PVVR40387 | | SMALL PISTON G 5100 | 1,00 | | -- |
| 0021 | | MPVR40487 | | TRIGGER G 5100-SW | 1,00 | | -- |
| 0022 | | VTVR40047 | | PLUG D. 4X29 | 2,00 | | -- |
| 0023 | | MLML40029 | | SPRING G 5100 | 1,00 | | -- |
| 0024 | | MPVR40488 | | SAFETY-DEVICE G 5100-SW | 1,00 | | -- |
| 0025 | | MPVR40488 | | SAFETY-DEVICE G 5100-SW | 1,00 | | -- |
| 0026 | | MPVR40490 | | SHELL G 5100-SW SX | 1,00 | | -- |
| 0027 | | VTVT40043 | | SCREW AF 4X 14 HILO ZN.N | 6,00 | | -- |
| 0028 | | MPVR40491 | | PLATE G 5100 GR.DX | 1,00 | | -- |
| 0029 | | MPVR40492 | | PLATE G 5100 GR.SX | 1,00 | | -- |
| 0030 | | LCPR40086 | | TUBE 1/4 L=420 ZC. 0° | 1,00 | | -- |
| 0031 | | MPVR40493 | | CONNECTOR G 5100-SW | 1,00 | | -- |
| 0032 | | MPVR40494 | | PROTECTION P 420 C/AN. | 1,00 | | -- |
| 0033 | | PVVR40119 | | CONNECTION M22X1,5 IRV G5000 | 1,00 | | -- |
| 0034 | | RCIN40009 | | GUDGEON G 1/4 F IRV G5000 | 1,00 | | -- |
| 0035 | | GUVR40034 | | ANTI-EXTR.RING D. 10 X14 | 1,00 | | -- |
| 0036 | | GUGO01946 | | O-RING D. 9.13 X 2.62 VIT 70SH | 1,00 | | -- |
| 0037 | | MPVR40495 | | CAP G 5100 REM. | 1,00 | | -- |
| 0038 | | MPVR40198 | | CAP G 5000 | 1,00 | | -- |



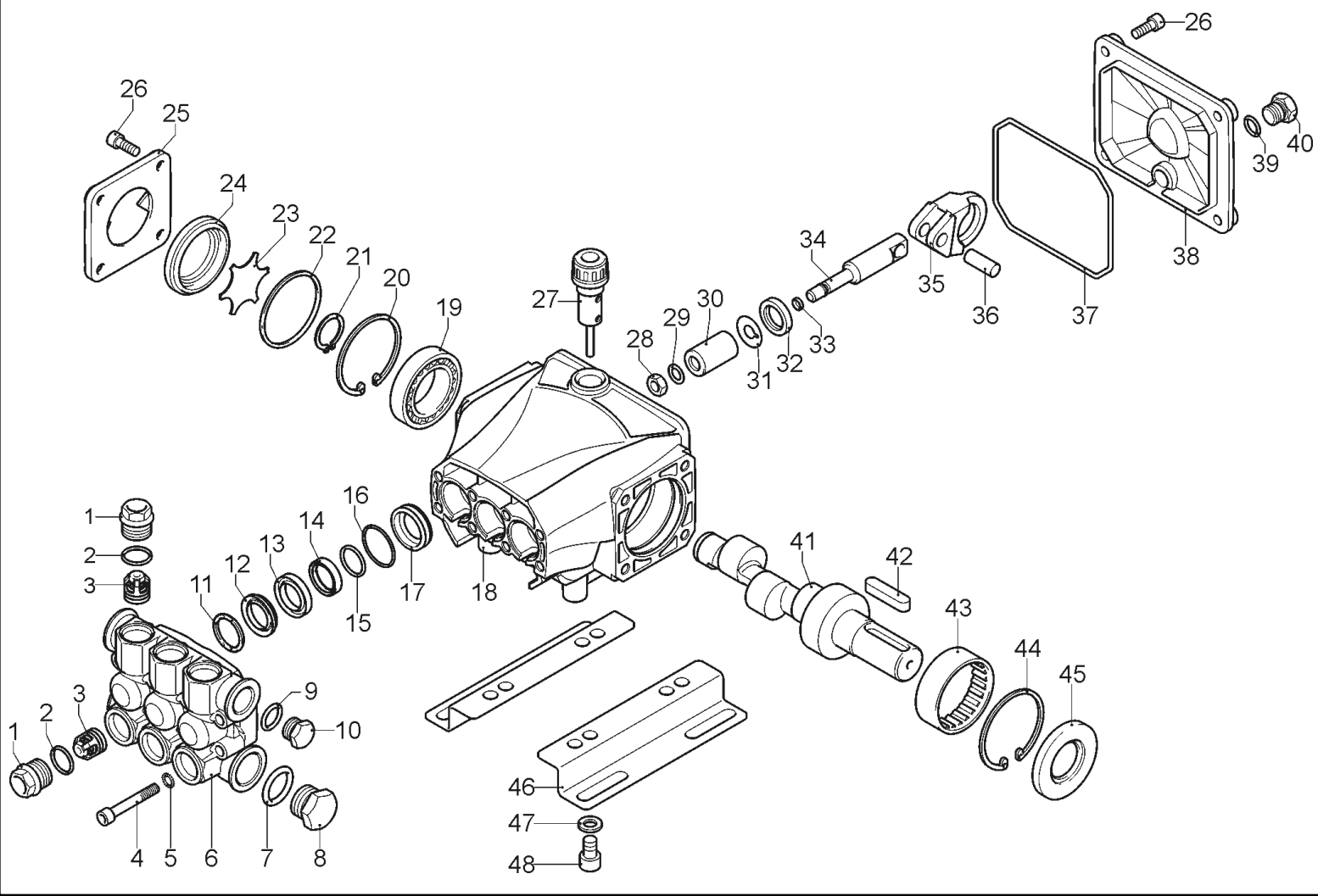
| Ref. Part N. | Cust. Part N. | Description | Reference | Price |
|--------------|---------------|----------------------------|---------------------|-------|
| KTRI40242 | | KIT P 26- 25 G 5100 | 0002 0003 0005 0006 | -- |
| KTRI40243 | | KIT P 26- 25 SWIVEL G 5100 | 0015 0016 0017 | -- |



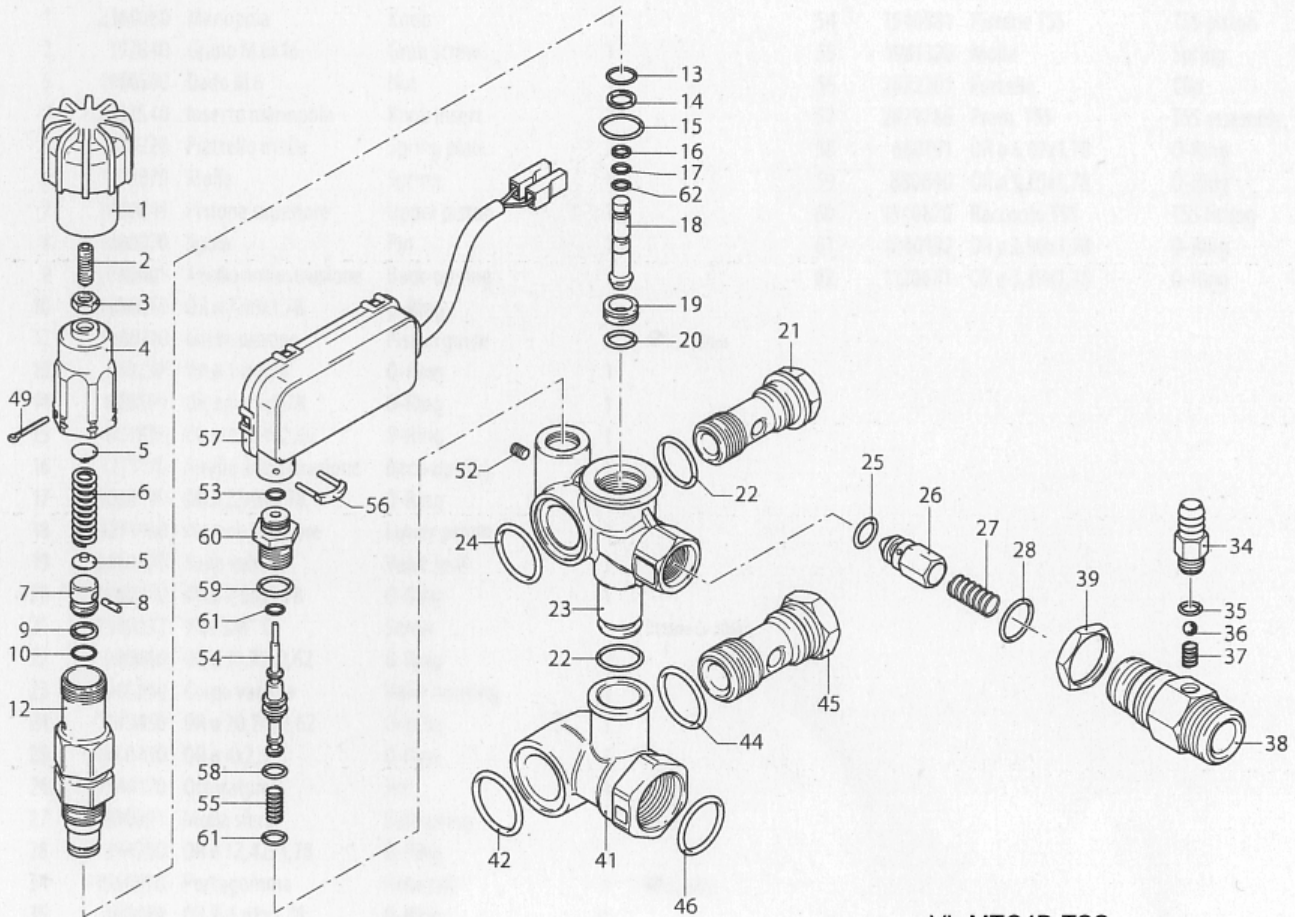
| Ref. | K | Part N. | Customer Part N. | Description | Qty | Validity: | | Price |
|------|---|-----------|------------------|----------------------------------|------|-----------|---------|-------|
| | | | | | | From | To | |
| 0001 | | PVVR40120 | | CAP AR RC | 6,00 | | | -- |
| 0002 | | GUGO03505 | | O-RING D. 15.6 X 1.78 NBR 70SH | 6,00 | | | -- |
| 0003 | S | VVAM40002 | | VALVE UNIT RC | 3,00 | 08/2012 | | -- |
| 0003 | S | VVAM40002 | | VALVE UNIT RC | 6,00 | | 07/2012 | -- |
| 0003 | S | VVAM40007 | | VALVE UNIT RC ASP. BK | 3,00 | 08/2012 | | -- |
| 0004 | | VTVT01531 | | SCREW TE 6X 16 UNI 5739 | 8,00 | | | -- |
| 0005 | | VTRS00503 | | WASHER D. 6 TE UNI 6798 | 8,00 | | | -- |
| 0006 | | MFVR40026 | | HEAD AR RCS OT. | 1,00 | | | -- |
| 0007 | | GUGO19245 | | O-RING D. 17.5 X 2 NBR 70SH | 1,00 | | | -- |
| 0008 | | PVVR40121 | | CAP 1/2 M RC | 1,00 | | | -- |
| 0009 | | GUGO09720 | | O-RING D. 14 X 1.78 NBR 70SH | 1,00 | | | -- |
| 0010 | | PVVR40099 | | CAP 3/8 M HRM | 1,00 | | | -- |
| 0011 | S | PVVR40158 | | HEAD RING D. 15 RCS | 3,00 | | | -- |
| 0012 | S | GUVR40028 | | PACKING D. 15 XJS | 3,00 | | | -- |
| 0013 | | PVVR40159 | | INTERMED. RING D. 15 RCS | 3,00 | | | -- |
| 0014 | S | GUVR40041 | | PACKING D. 15 RCS L.P. | 3,00 | | | -- |
| 0015 | S | GUVR40042 | | ANTI-EXTR. RING D. 15 | 3,00 | | | -- |
| 0016 | S | GUGO08182 | | O-RING D. 21.91 X 1.78 NBR 70SH | 3,00 | | | -- |
| 0017 | | PVVR40160 | | PACKING RETAIN. D. 15 RCS | 3,00 | | | -- |
| 0018 | | MFVR40027 | | PUMP CRANKCASE AR RCS | 1,00 | | | -- |
| 0019 | | CUVR28336 | | BALL BEARING 6304 | 1,00 | | | -- |
| 0020 | | VTAE32478 | | CIRCLIP D. 32 UNI 7437 | 1,00 | | | -- |
| 0021 | | VTAE06193 | | CIRCLIP D. 20 UNI 7435 | 1,00 | | | -- |
| 0022 | | GUGO02561 | | O-RING D. 47.5 X 2.62 NBR 70SH | 1,00 | | | -- |
| 0023 | | PVVR40125 | | DISC RC | 1,00 | | | -- |
| 0024 | | PVVR40126 | | OIL INDICATOR RC | 1,00 | | | -- |
| 0025 | | MFVR40021 | | CRANKCASE COVER AR RC LT. | 1,00 | | | -- |
| 0026 | | VTVT01531 | | SCREW TE 6X 16 UNI 5739 | 8,00 | | | -- |
| 0027 | | PVVR19231 | | OIL CAP XTS | 1,00 | | | -- |
| 0028 | | VTDD00483 | | NUT M 8 ZIN UNI 5588 | 3,00 | | | -- |
| 0029 | | VTRS19394 | | WASHER D. 8X13X0.5 | 3,00 | | | -- |
| 0030 | S | PIVR19232 | | PISTON D. 15 XTS | 3,00 | | | -- |
| 0031 | | PVVR19233 | | DISC XTS | 3,00 | | | -- |
| 0032 | S | GUGO09690 | | OIL SEAL 15X 24X 5 NBR70 | 3,00 | | | -- |
| 0033 | | GUGO08071 | | O-RING D. 4.48 X 1.78 NBR 70SH | 3,00 | | | -- |
| 0034 | | PVVR40127 | | PISTON GUIDE RC | 3,00 | | | -- |
| 0035 | | BLVR40001 | | CONNECTING ROD RC | 3,00 | | | -- |
| 0036 | | PVVR40128 | | GUIDEON D. 9X23 RC | 3,00 | | | -- |
| 0037 | | GUGO18695 | | O-RING D. 101.27 X 2.62 NBR 70SH | 1,00 | | | -- |



| Ref. | K | Part N. | Customer Part N. | Description | Qty | Validity: | | Price |
|------|---|-----------|------------------|---------------------------------|------|-----------|----|-------|
| | | | | | | From | To | |
| 0038 | | MFVR40022 | | CRANKASE COVER AR RC | 1,00 | | | -- |
| 0039 | | GUGO01036 | | O-RING D. 10.82 X 1.78 NBR 70SH | 1,00 | | | -- |
| 0040 | | PVVR40129 | | CAP 3/8 M RC | 1,00 | | | -- |
| 0041 | | ALMO40028 | | SHAFT AR RCS 8LT VRS. B | 1,00 | | | -- |
| 0043 | | CUVR23636 | | ROLLER BEARING HK 4516 | 1,00 | | | -- |
| 0044 | | VTAE06193 | | CIRCLIP D. 20 UNI 7435 | 1,00 | | | -- |
| 0045 | S | GUGO00999 | | OIL SEAL 25X 52X 7 NBR70 | 1,00 | | | -- |

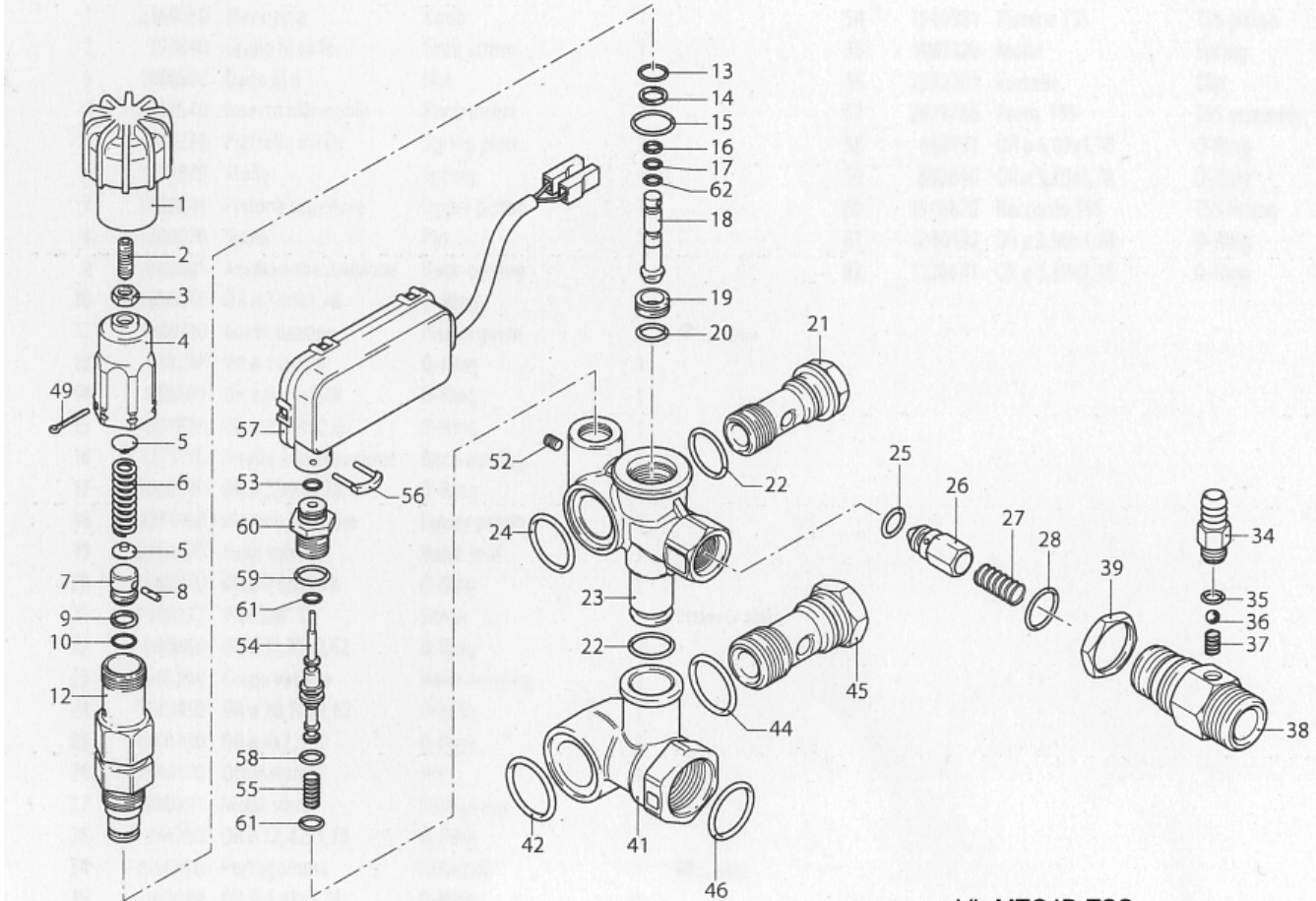


| Ref. Part N. | Cust. Part N. | Description | Reference | Price |
|--------------|---------------|-------------------------------|---------------------|-------|
| KTRI40092 | | KIT P 15-2186 RC | 0003 | -- |
| KTRI40096 | | KIT P 15-42468 RC | 0032 0045 | -- |
| KTRI40139 | | KIT P 15-42475 D.15 RCS | 0030 | -- |
| KTRI40140 | | KIT P 15-42476 D.15 RCS | 0012 0014 0015 0016 | -- |
| KTRI40141 | | KIT P 15-2191 D.15 RCS | 0011 | -- |
| KTRI40207 | | KIT P 15-41341 RC 3+3 BL./WH. | 0003 0003 | -- |



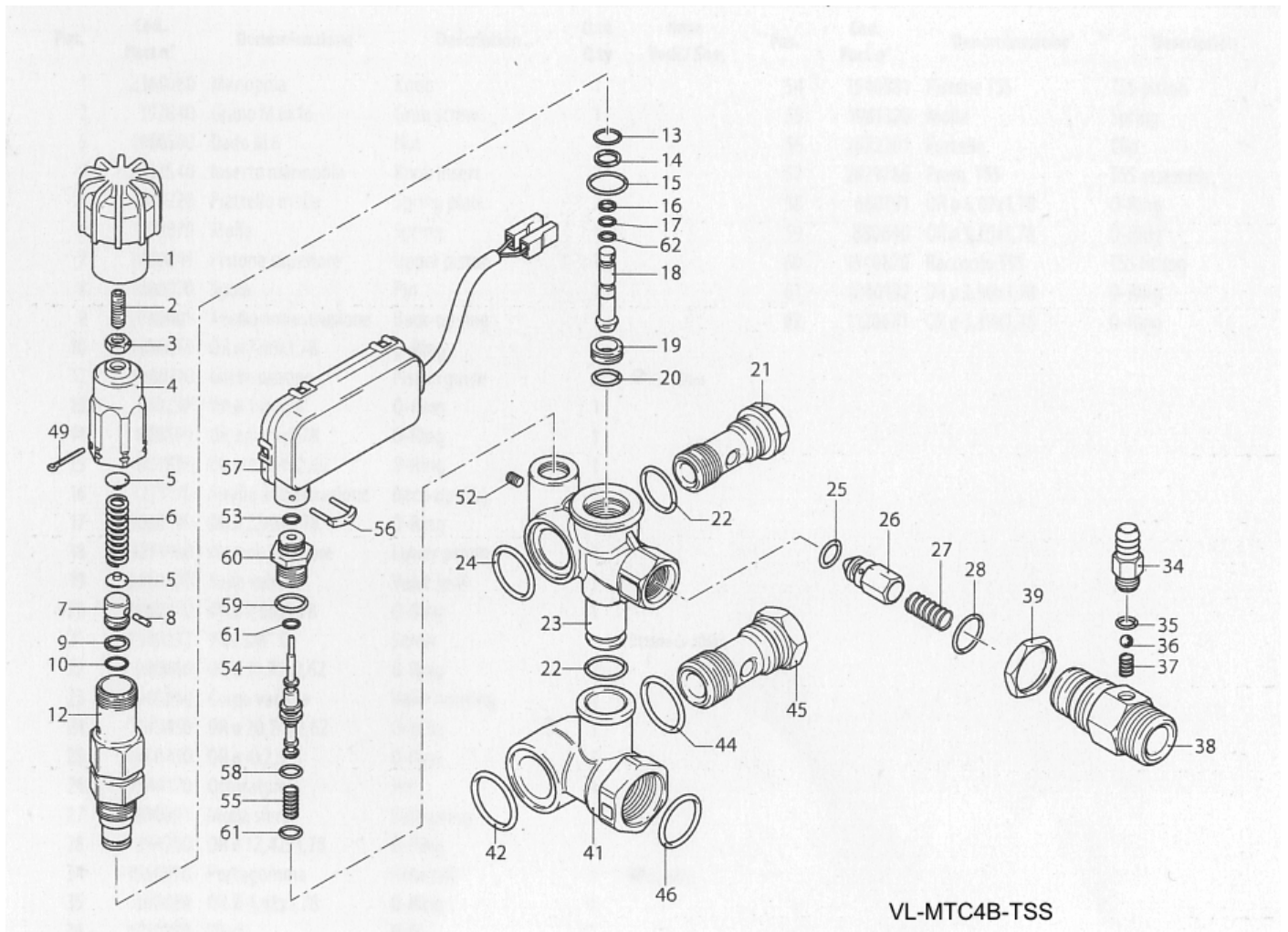
VL-MTC4B-TSS

| Ref. | K | Part N. | Customer Part N. | Description | Qty | Validity: From To | Price |
|------|---|-----------|------------------|---------------------------------|------|----------------------|-------|
| 0001 | | PVVR40227 | | KNOB M.MT/4B | 1,00 | | -- |
| 0002 | | VTVT19524 | | SCREW EI-ST 6X16 UNI 5923 | 1,00 | | -- |
| 0003 | | VTDD00482 | | NUT M 6 ZIN UNI 5588 | 1,00 | | -- |
| 0004 | | PVVR40236 | | KNOB M.MT/4B | 1,00 | | -- |
| 0005 | | PVVR40067 | | SPRING PLATE AR XJS | 2,00 | | -- |
| 0006 | | MLML40007 | | SPRING D. 10.8X48.9 D.2.8 XJS | 1,00 | | -- |
| 0007 | | PVVR40068 | | SMALL PISTON AR XJS SP. | 1,00 | | -- |
| 0008 | | VTVR19193 | | PLUG D. 2.5X10 | 1,00 | | -- |
| 0009 | S | GUVR40026 | | ANTI-EXTR.RING D. 8 | 1,00 | | -- |
| 0010 | S | GUGO06988 | | O-RING D. 7.66 X 1.78 NBR 70SH | 1,00 | | -- |
| 0012 | | PVVR40069 | | PISTON GUIDE AR XJS | 1,00 | | -- |
| 0013 | S | GUGO09720 | | O-RING D. 14 X 1.78 NBR 70SH | 1,00 | | -- |
| 0014 | S | GUGO63403 | | O-RING D. 8.73 X 1.78 NBR 70SH | 1,00 | | -- |
| 0015 | S | GUGO02259 | | O-RING D. 15.54 X 2.62 NBR 70SH | 1,00 | | -- |
| 0016 | S | GUVR40027 | | ANTI-EXTR.RING D. 3.7 | 1,00 | | -- |
| 0017 | S | GUGO19189 | | O-RING D. 2.90 X 1.78 NBR 70SH | 1,00 | | -- |
| 0018 | | PVVR40070 | | CONTROL PISTON AR XJS IF. | 1,00 | | -- |
| 0019 | | PVVR40237 | | VALVE SEAT M.MT/4B | 1,00 | | -- |
| 0020 | | GUGO06988 | | O-RING D. 7.66 X 1.78 NBR 70SH | 1,00 | | -- |
| 0021 | | RCDS40068 | | SCREW G 3/8 M.MATIC 4/B OT. | 1,00 | | -- |
| 0022 | S | GUGO01047 | | O-RING D. 11.91 X 2.62 NBR 70SH | 2,00 | | -- |
| 0023 | | PVVR40134 | | VALVE BODY M.MATIC 4/B TSS | 1,00 | | -- |
| 0024 | S | GUGO19395 | | O-RING D. 20.24 X 2.62 NBR 70SH | 1,00 | | -- |
| 0025 | S | GUGO12494 | | O-RING D. 4 X 2.5 -NBR 70SH | 1,00 | | -- |
| 0026 | | PVVR40074 | | COUPLING N.RIT. XJS | 1,00 | | -- |
| 0027 | | MLML32257 | | SPRING D. 6.5 X14 D.0.5 | 1,00 | | -- |
| 0028 | S | GUGO11652 | | O-RING D. 12.42 X 1.78 NBR 70SH | 1,00 | | -- |
| 0034 | | PVVR40135 | | HOSE FITTING M.MATIC 4/B IN. | 1,00 | | -- |
| 0035 | S | GUGO08071 | | O-RING D. 4.48 X 1.78 NBR 70SH | 1,00 | | -- |
| 0036 | | SFVR04274 | | BALL D. 7/32 | 1,00 | | -- |
| 0037 | | MLML40008 | | SPRING D. 4 | 1,00 | | -- |
| 0039 | | VTDD40003 | | LOCKNUT G 3/8 | 1,00 | | -- |
| 0041 | | PVVR40131 | | CONNECTOR M.MATIC 4/B | 1,00 | | -- |
| 0042 | S | GUGO76542 | | O-RING D. 23.47 X 2.62 NBR 70SH | 1,00 | | -- |
| 0044 | S | GUGO01058 | | O-RING D. 17.17 X 1.78 NBR 70SH | 1,00 | | -- |
| 0045 | | RCDS40070 | | SCREW G 1/2 M.MATIC 4/B | 1,00 | | -- |
| 0049 | | VTVR40025 | | SPLIT PIN D. 2.6X15 | 1,00 | | -- |
| 0052 | | VTVT40019 | | SCREW M 3X 5 EI-ST UNI 5923 | 1,00 | | -- |
| 0053 | S | GUGO19207 | | O-RING D. 1.78 X 1.78 NBR 70SH | 1,00 | | -- |



VL-MTC4B-TSS

| Ref. | K | Part N. | Customer Part N. | Description | Qty | Validity: | | Price |
|------|---|-----------|------------------|---------------------------------------|------|-----------|----|-------|
| | | | | | | From | To | |
| 0054 | | PVVR40136 | | CONTROL PISTON AR TSS M.MTC | 1,00 | | | -- |
| 0055 | | MLML40017 | | SPRING D. 8.7 X15.9 D.1.2 | 1,00 | | | -- |
| 0056 | | LAFN40212 | | PLUG "U" AR TSS | 1,00 | | | -- |
| 0057 | | MEPF40018 | | PRESSURE SWITCHAR TSS 220V N.A. L.430 | 1,00 | | | -- |
| 0058 | S | GUGO12489 | | O-RING D. 6.07 X 1.78 NBR 70SH | 1,00 | | | -- |
| 0059 | S | GUGO03496 | | O-RING D. 9.25 X 1.78 NBR 70SH | 1,00 | | | -- |
| 0060 | | PVVR40137 | | PISTON GUIDE AR TSS M.MATIC | 1,00 | | | -- |
| 0061 | S | GUGO19189 | | O-RING D. 2.90 X 1.78 NBR 70SH | 2,00 | | | -- |
| 0062 | S | GUGO40031 | | O-RING D. 3.39 X 1.78 NBR 70SH | 1,00 | | | -- |



VL-MTC4B-TSS

| Ref. | Part N. | Cust. Part N. | Description | Reference | Price |
|------|-----------|---------------|-----------------|--------------------------------------------------------------------------------------------------------|-------|
| K F | KTRI40183 | KIT P | 15-42451 O-RING | 0009 0010 0013 0014 0015 0016 0017 0020 0022 0024 0025 0028 0035 0042 0044 0053 0058 0059 0061 0062 | -- |