



IPC

Spare parts list

Ref: ASID01000

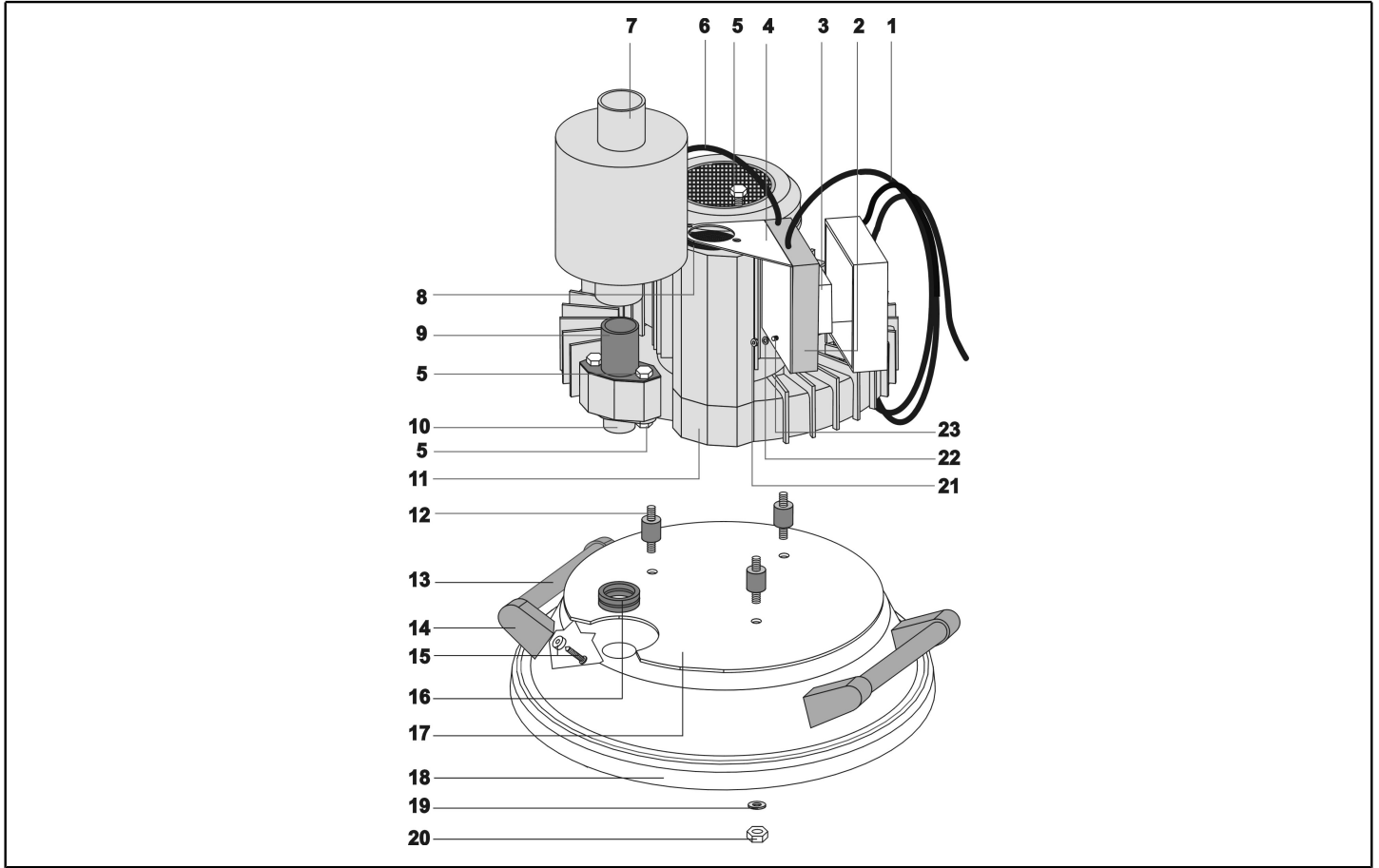
Model: VACUUM PLANET 350 S L/100 C/CON.



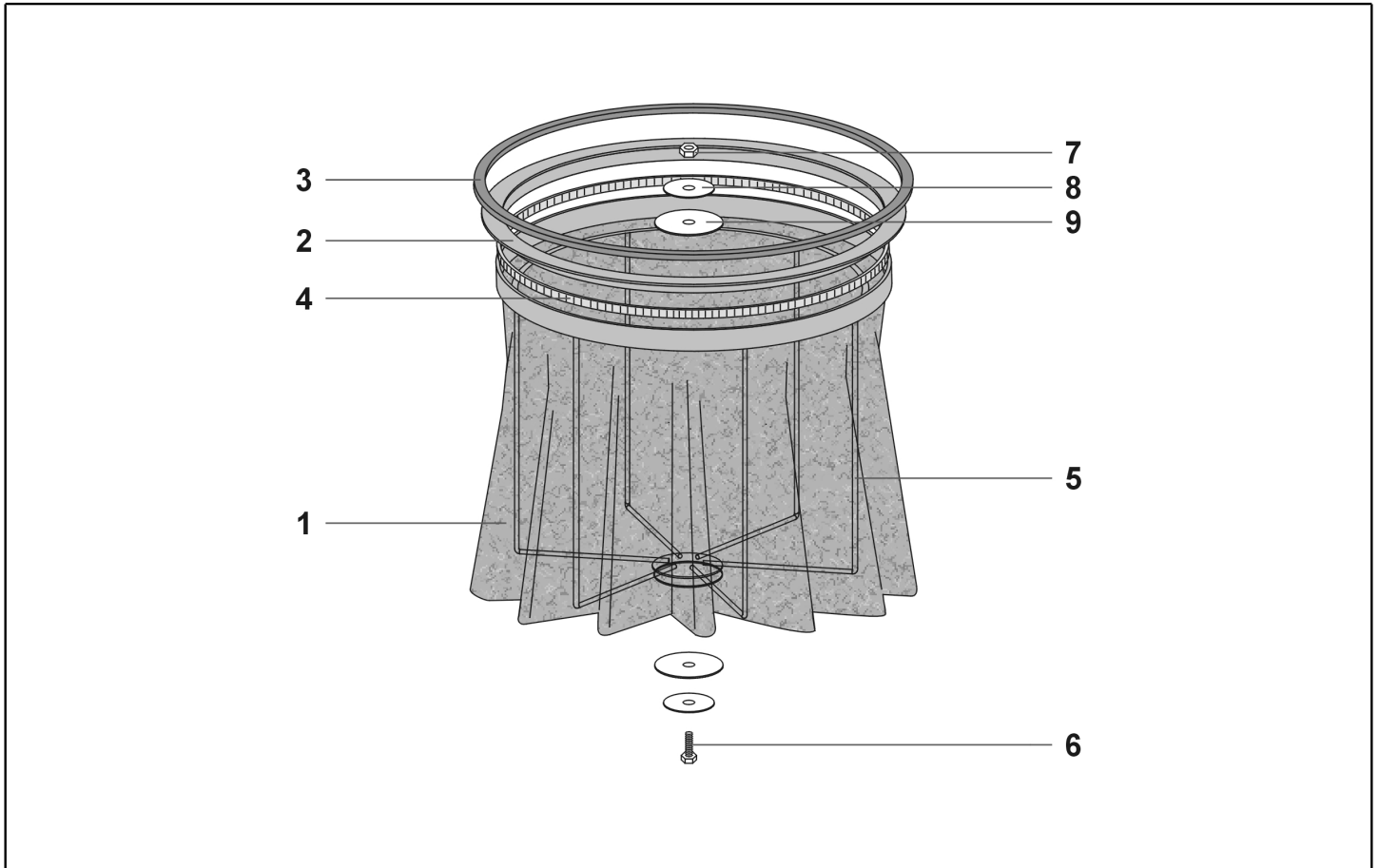
IPC Integrated Professional Cleaning

IPC Soteco

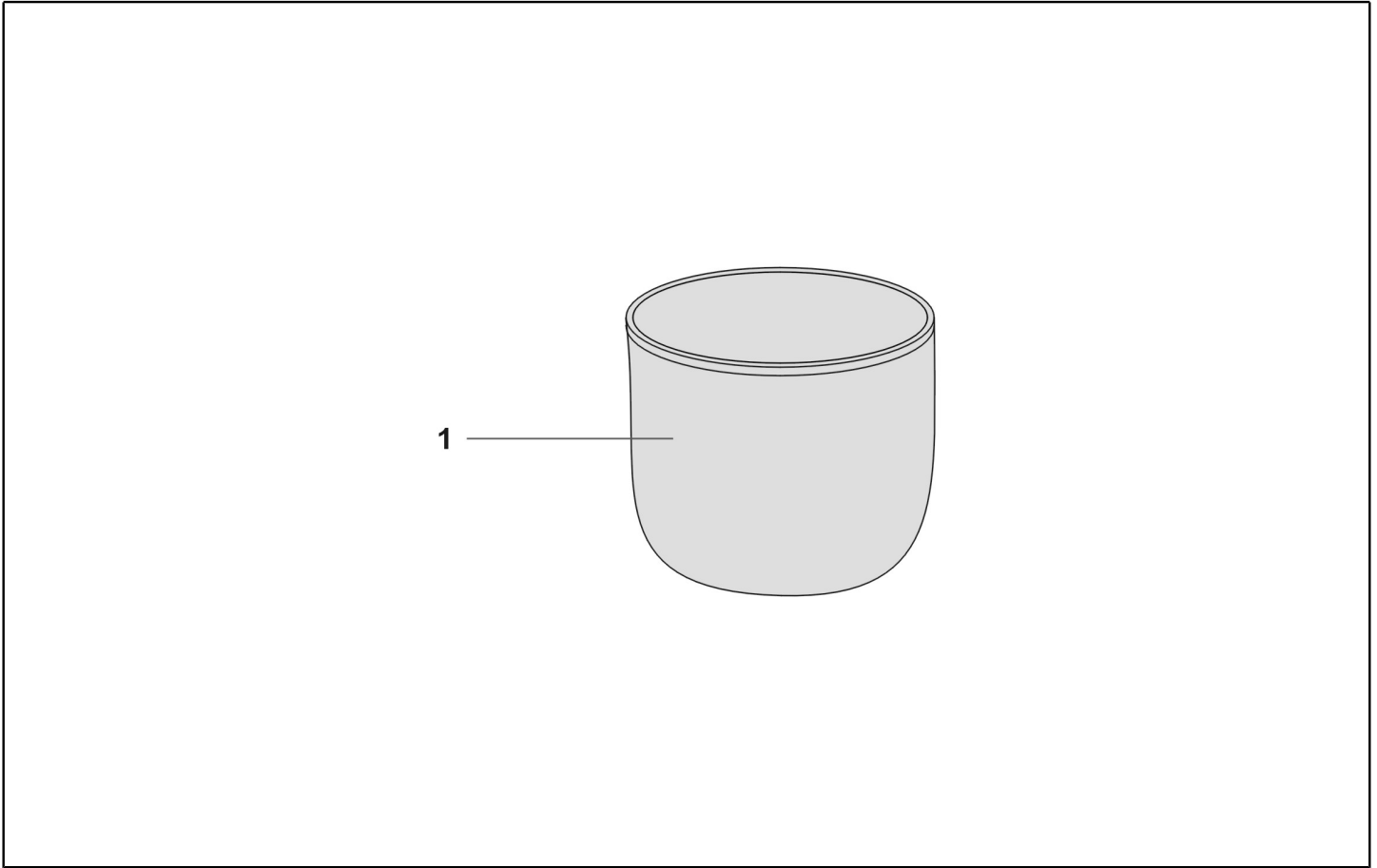
Ref. K	Part n.	Part n. 2	Description	Quantity	Validity		Price
					From	To	
0001	PMTA07868		TURBINE UNIT HEAD PLANET 350	1,00			--
0002	KTRI04597		FILTERING KIT PLANET 300	1,00			--
0003	FTDP40014		FILTER PCB 850h-480	1,00	14/02/2017		--
0004	PMFU02448		DECANTER DRUM 850 1F/T 3G/F SC/FI COMPL	1,00	27/06/2019		--
0005	LAFN09889		DRUM CONE SEP. 850 H=246 ATEX	1,00	27/06/2019		--
0006	LAFN89630		TANK 850 AISI 304 H=600	1,00			--
0007	KTRI40025		TROLLEYPLANET TROLLEY 200 L/100	1,00			--



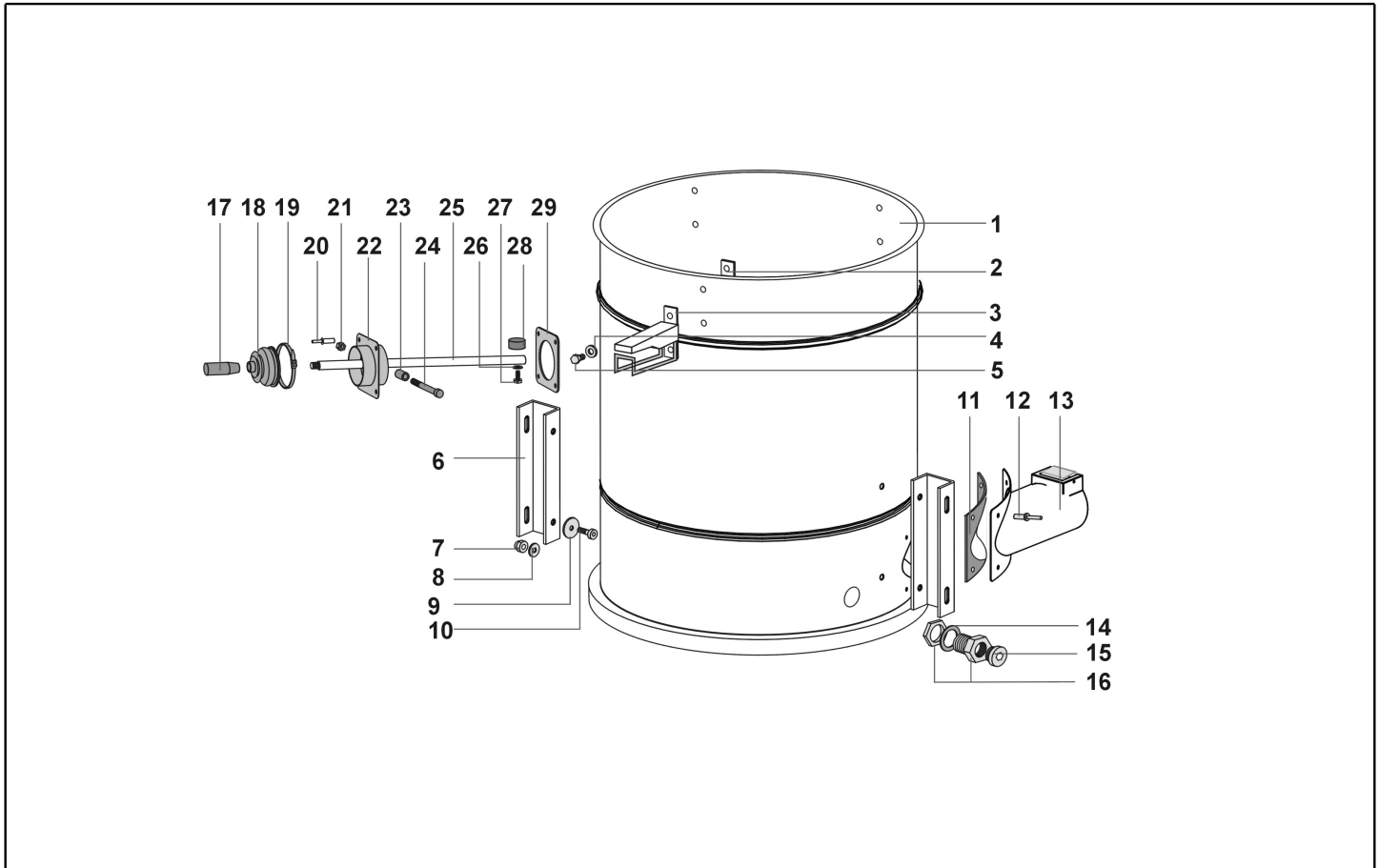
Ref. K	Part n.	Part n. 2	Description	Quantity	Validity		Price
					From	To	
*	MECB01717		CONN.WIRE M.80-G/V-8,2-8,2	1,00			--
*	MEVR02131		CABLE CLAMP M25X1,5	2,00	04/10/2021		--
0001	MECB40090		ELECTRIC CORD 4X2,5 MT.8.5 W/O PLUG	1,00			--
0002	MEVR89097		BOX WALL CASE IP55	1,00		03/10/2021	--
0002	MEVR71576		BOX WMX	1,00	04/10/2021		--
0003	MEC118988		THERMAL SWITCH 6,3-10A	1,00			--
0004	LAFN40162		THERMIC SWITCH SUPPORT	1,00			--
0005	VTVT72063		BOLT M 8X16 UNI 5739	6,00			--
0006	MECB01901		POWER CORD IMQ HAR-H05VV-F 4X2,5 M	0,75			--
0007	PVVR00368		SILENCER PLANET	1,00			--
0008	FTDP00639		SHAPED DISC RETE FINE SILENZIAT.	1,00			--
0009	VVSC00050		VALVE PLANET 300/350	1,00			--
0010	LAFN08528		TUBE HOLDER D.50 FOR PLANET	1,00			--
0011	TUVR89745		FRONTAL TURBINE 4KW	1,00			--
0012	ABGO00058		ANTIVIB.FOOT D.40 H.30 2M8/18	3,00			--
0013	MPVR07778		BLACK TUBE D.25 L=170	2,00			--
0014	MPVR76683		TANK HANDLE SUPPORT	4,00			--
0015	PMVR02551		COMPL.SEAL JOI. C/VITE L=30	8,00			--
0016	MEVR40039		CYCLON 300/500 GUIDING SLIT	1,00			--
0017	LAFN08485		COVER REINFORCE TURBINE SUPPORT	1,00			--
0018	PMVR04408		TURBINE SUPPORT COVER GALV.	1,00			--
0019	VTVR72041		WASHER 8X32 UNI6593	3,00			--
0020	VTDD00225		SELF-LOCJ.NUT M 8 SMALL UNI 7474	3,00			--
0021	VTDD00232		NUT M 4 UNI 5588	2,00			--
0022	VTRS00393		TOOTHED WASHER M4 UNI 8842	2,00			--
0023	VTVT01184		SCREW TSP CROSS M 4X16 UNI 7688	2,00			--



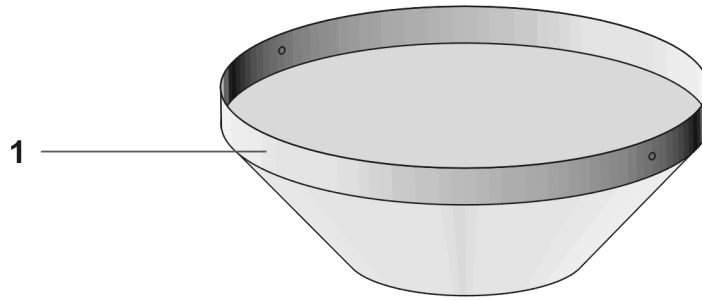
Ref. K	Part n.	Part n. 2	Description	Quantity	Validity		Price
					From	To	
0001	FTDP49549		POLYESTERE FILTER "850"	1,00			--
0002	MPVR88925		HOLDER-FILTER RING SER.850	1,00			--
0003	GUVR40008		PLANET GASKET L=1,49 MT	1,00			--
0004	FSVR00146		CLAMP HOSE D.460 H=8	1,00			--
0005	LAFN08682		SMALL BASKET 424/405 H360	1,00			--
0006	VTVT01090		SCREW TE M 6X20 UNI 5739	1,00			--
0007	VTDD00230		SELF-LOCJ.NUT M 6 SMALL UNI 7474	1,00			--
0008	PMVR04414		CAP D64 FILTERSHAKER PLANET	2,00			--
0009	PMVR02595		CAP D104 FILT.SHAKER PLANET	3,00			--



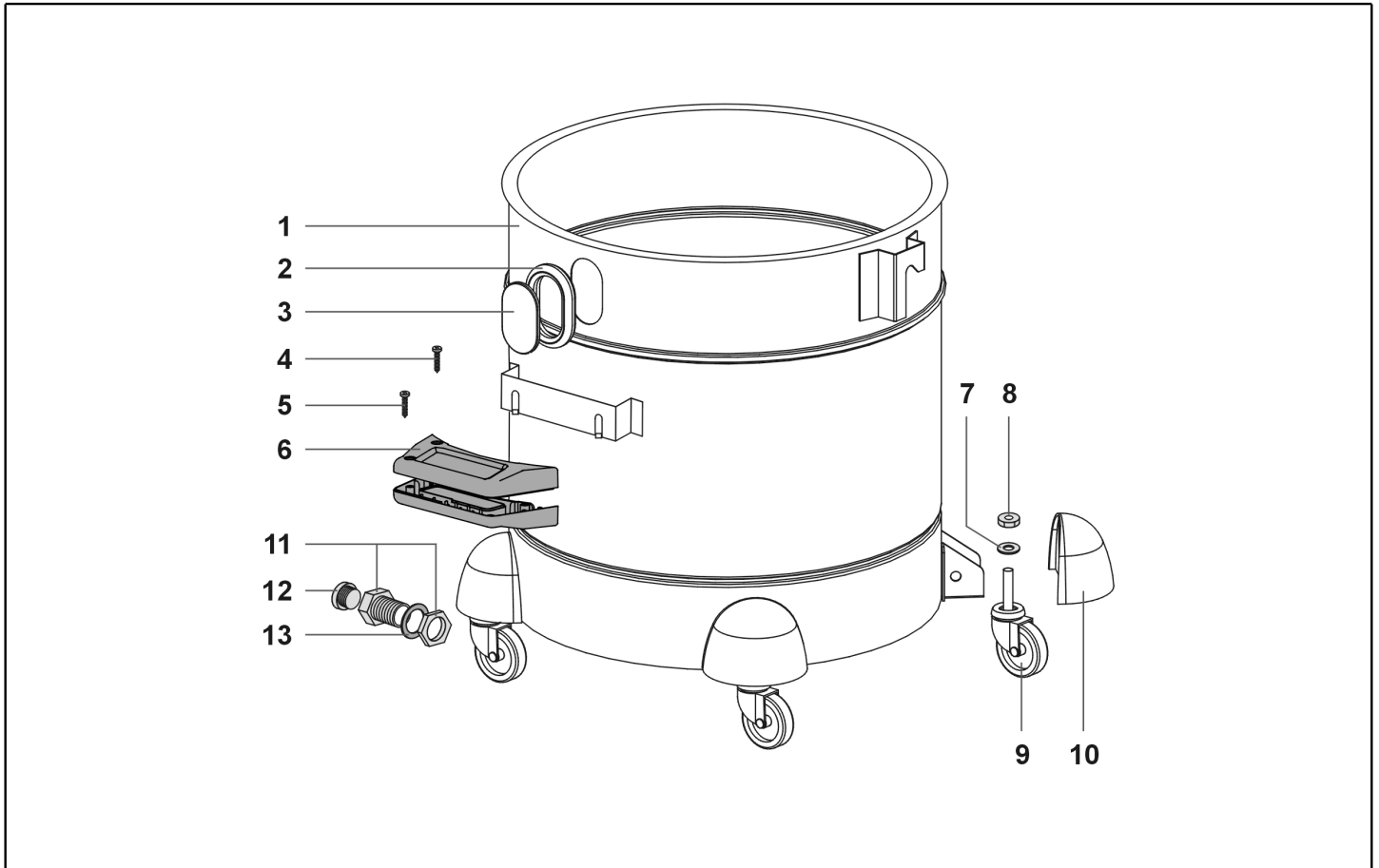
Ref. K	Part n.	Part n. 2	Description	Quantity	Validity		Price
					From	To	
0001	FTDP40014		FILTER PCB 850h-480	1,00			--
0001	FTDP40014		FILTER PCB 850h-480	1,00			--



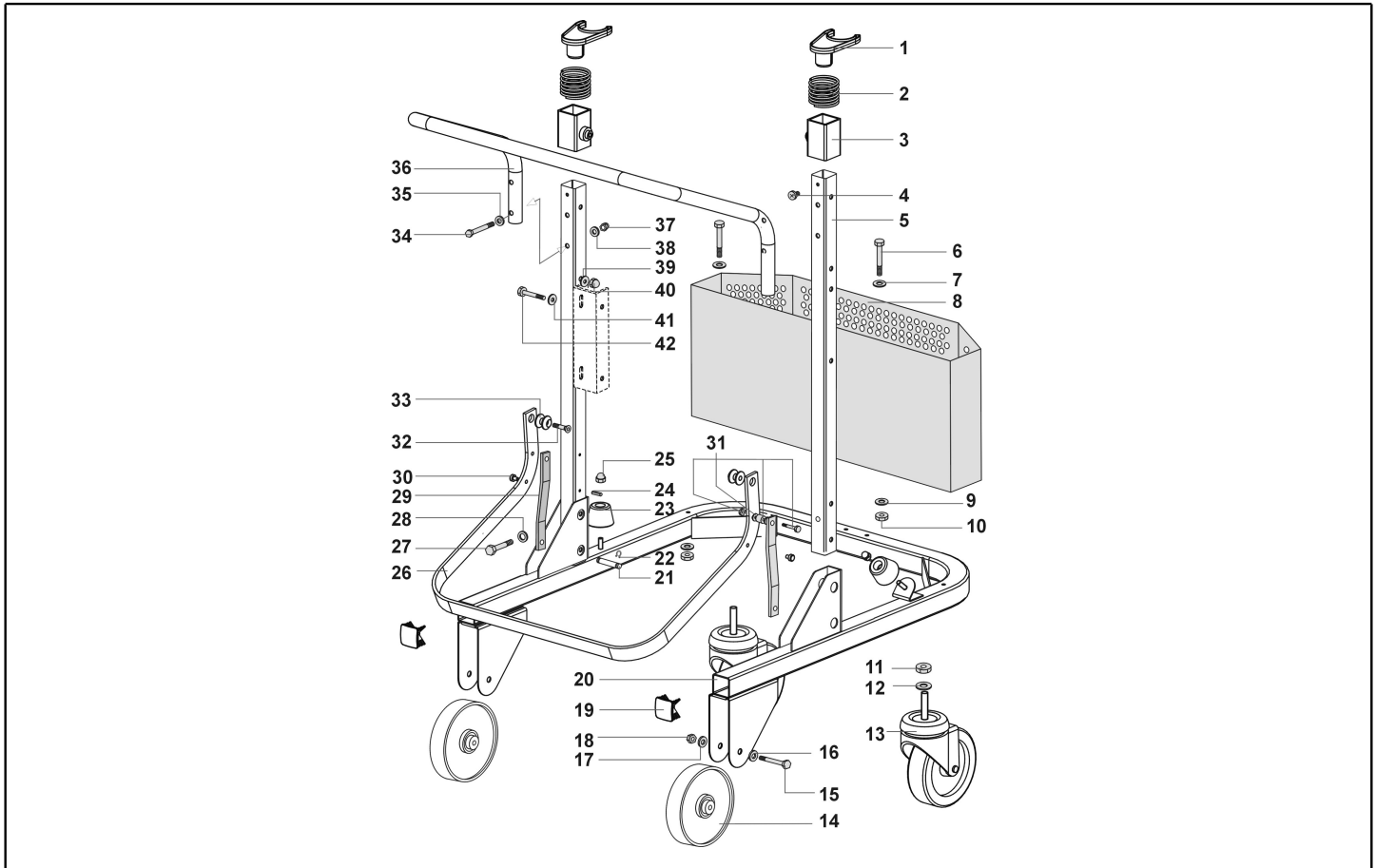
Ref. K	Part n.	Part n. 2	Description	Quantity	Validity		Price
					From	To	
0001	PMVR04300		TANK SEP.850 W/GASKET	1,00			--
0002	VTVR89842		PLATE FOR HOOK	3,00			--
0003	CHVR89843		PLANET HOOK	3,00			--
0004	VTRS00400		WASHER M 6 UNI 6592	6,00			--
0005	VTVT01103		SCREW TC CROSS M 6X12 UNI 7687	6,00			--
0006	LAFN08372		TANK TANK PLANET	2,00			--
0007	VTDD00214		NUT M 8 UNI 5721	4,00			--
0008	VTRS00396		WASHER M 8 UNI 6592	4,00			--
0009	VTVR72041		WASHER 8X32 UNI6593	4,00			--
0010	VTVT01392		SCREW TBEI 8X16 UNI 7380 INOX	4,00			--
0011	GUVR40022		GASKET ELBOW SUPPORT INLET 850	1,00			--
0012	VTVR00395		RIVET 4,8X15 INOX	4,00			--
0013	MFVR89238		INLET D.70 ALUMINIUM	1,00			--
0014	VTRS00439		WASHER AL 3/4"	1,00			--
0015	VTVR00364		MALE CAP WITH OR 3/8"	1,00			--
0016	RCVR00880		WALL MOUNTING FF3/8" M26X1,5	1,00			--
0017	VTVR37754		KNOB M10x30 L=70	1,00			--
0018	MPVR88788		BELLOWS PROTECTION PLANET 200	1,00			--
0019	FSVR00074		CLIP 300X9	1,00			--
0020	VTVR00395		RIVET 4,8X15 INOX	4,00			--
0021	VTDD00230		SELF-LOCJ.NUT M 6 SMALL UNI 7474	1,00			--
0022	LAFN88787		BELLOWS HOLDER F/FILTERSHAKER	1,00			--
0023	MPVR06932		SPACER PLASTIC D.10 D.6,3X20	2,00			--
0024	VTVT01235		SCREW TE M 6X70 UNI 5737	1,00			--
0025	LAFN08472		LEVER FILT.SHAKER PLANET 300	1,00			--
0026	VTRS00427		TOOTHED WASHER M8 UNI 8842	1,00			--
0027	VTVT01028		SCREW TE M 8X25 UNI 5739	1,00			--
0028	LAFN88792		DUMPING BASE BELT DRIVER M8 H=20	1,00			--
0029	GUGO88789		PLANET 100 SHAKER FILTER GASKET	1,00			--



Ref. K	Part n.	Part n. 2	Description	Quantity	Validity		Price
					From	To	
0001	LAFN09889		DRUM CONE SEP. 850 H=246 ATEX	1,00			--
0001	LAFN09889		DRUM CONE SEP. 850 H=246 ATEX	1,00			--



Ref. K	Part n.	Part n. 2	Description	Quantity	Validity		Price
					From	To	
0001	LAFN08378		TANK 850 AISI 304 SP/1 W/O/F	1,00			--
0002	GUVR89778		GASKET VISUAL LEVEL	1,00			--
0003	MPVR89918		VISUAL GLASS LEVEL	1,00			--
0004	VTVT72055		SCREW PFU TMT PHL 5X25 ZN BLACK	4,00			--
0005	VTVT72106		SCREW PAT TMT PHL 5X40 BLACK	4,00			--
0006	MPVR08385		BLACK HANDLE FOR TANK PLANET	4,00			--
0007	VTRS00409		TOOTHED WASHER M12 UNI 8842	4,00			--
0008	VTDD00245		NUT M 12 UNI 5588	4,00			--
0009	RTRT40018		WHEEL D.60 M12X20 NYLON	4,00			--
0010	MPVR06894		CRANKCASE	4,00			--
0011	RCVR00880		WALL MOUNTING FF3/8" M26X1,5	1,00			--
0012	VTVR00364		MALE CAP WITH OR 3/8"	1,00			--
0013	VTRS00439		WASHER AL 3/4"	1,00			--



Ref. K	Part n.	Part n. 2	Description	Quantity	Validity		Price
					From	To	
0001	MPVR88757		GRIPPER CAP	2,00			--
0002	MLML40021		TROLLEY SPRING PLANET L/100	2,00			--
0003	LAFN40448		FITTING TANK GUIDE	2,00			--
0004	VTVT01191		SCREW AUT.TC PHL 4,2X16 INOX	2,00			--
0005	LAFN08427		STAND.COUPLER TANK SINGLE STAGE	2,00			--
0006	VTVT01231		SCREW M 6X55 UNI 5739	4,00			--
0007	VTRS00389		CRICKET M 6X18X1,5 UNI 6593	4,00			--
0008	LAFN08386		MONOPHASE HOLDER TOOLS BASKET	1,00			--
0009	VTRS00400		WASHER M 6 UNI 6592	4,00			--
0010	VTDD00230		SELF-LOCJ.NUT M 6 SMALL UNI 7474	4,00			--
0011	VTDD72060		LOW SELF-LOCKING NUT M 12	2,00			--
0012	VTRS00409		TOOTHED WASHER M12 UNI 8842	2,00			--
0013	RTRT89841		WHEEL D.150 M12X30 NYLON	2,00			--
0014	RTRT40008		FIXED WHEEL D.150 NYLON 6	2,00			--
0015	VTVT01225		SCREW TE M 10X70 UNI 5737 ZN	2,00			--
0016	VTRS71964		WASHER M 10	2,00			--
0017	VTRS71964		WASHER M 10	2,00			--
0018	VTDD00246		SELF-LOCJ.NUT M10 SMALL UNI7474	2,00			--
0019	MPVR06895		PLASTIC TOP 40X40	2,00			--
0020	LAFN08373		SINGLE STAGE FRAME GREY	1,00			--
0021	LAFN08369		PIN FIXING LEVER	2,00			--
0022	VTAE00090		SHAFT RING TYPE & MEAS.8 UNI7435	4,00			--
0023	MPVR06893		DOOR ACCESSORIES CONICAL	2,00			--
0024	VTVR00363		ELASTIC PLUG D.4 L=20 UNI 6873	2,00			--
0025	VTDD00214		NUT M 8 UNI 5721	2,00			--
0026	LAFN08370		TANK HOOKING TANK	1,00			--
0027	VTVT01230		SCREW TE M 8X45 UNI 5737 Z.B	2,00			--
0028	VTRS00396		WASHER M 8 UNI 6592	2,00			--
0029	LAFN08371		LINK-ROD HOOKING TANK	2,00			--
0030	LAFN08368		CLAMP OF CLAMP HOOKING TANK	2,00			--
0031	LAFN10776		SPACER CON.ROD LEVE HOOKIN.TANK	2,00			--
0032	VTVT01223		SCREW TC CAVA ESAG M8X25 Z B UN	2,00			--
0033	RCDS00090		PIN GUIDE HOOKING TANK	2,00			--
0034	VTVT01224		SCREW TE M 8X70 UNI 5737 Z.B	4,00			--
0035	VTRS00396		WASHER M 8 UNI 6592	4,00			--
0036	LAFN10777		SINGLE STAGE HANDLE VARNISHED	1,00			--
0037	VTDD00214		NUT M 8 UNI 5721	4,00			--
0038	VTRS00396		WASHER M 8 UNI 6592	4,00			--
0039	VTRS00396		WASHER M 8 UNI 6592	4,00			--
0040	VTDD00214		NUT M 8 UNI 5721	4,00			--
0041	VTRS00396		WASHER M 8 UNI 6592	4,00			--
0042	VTVT01226		SCREW TE M 8X50 Z.B UNI 5737	4,00			--