

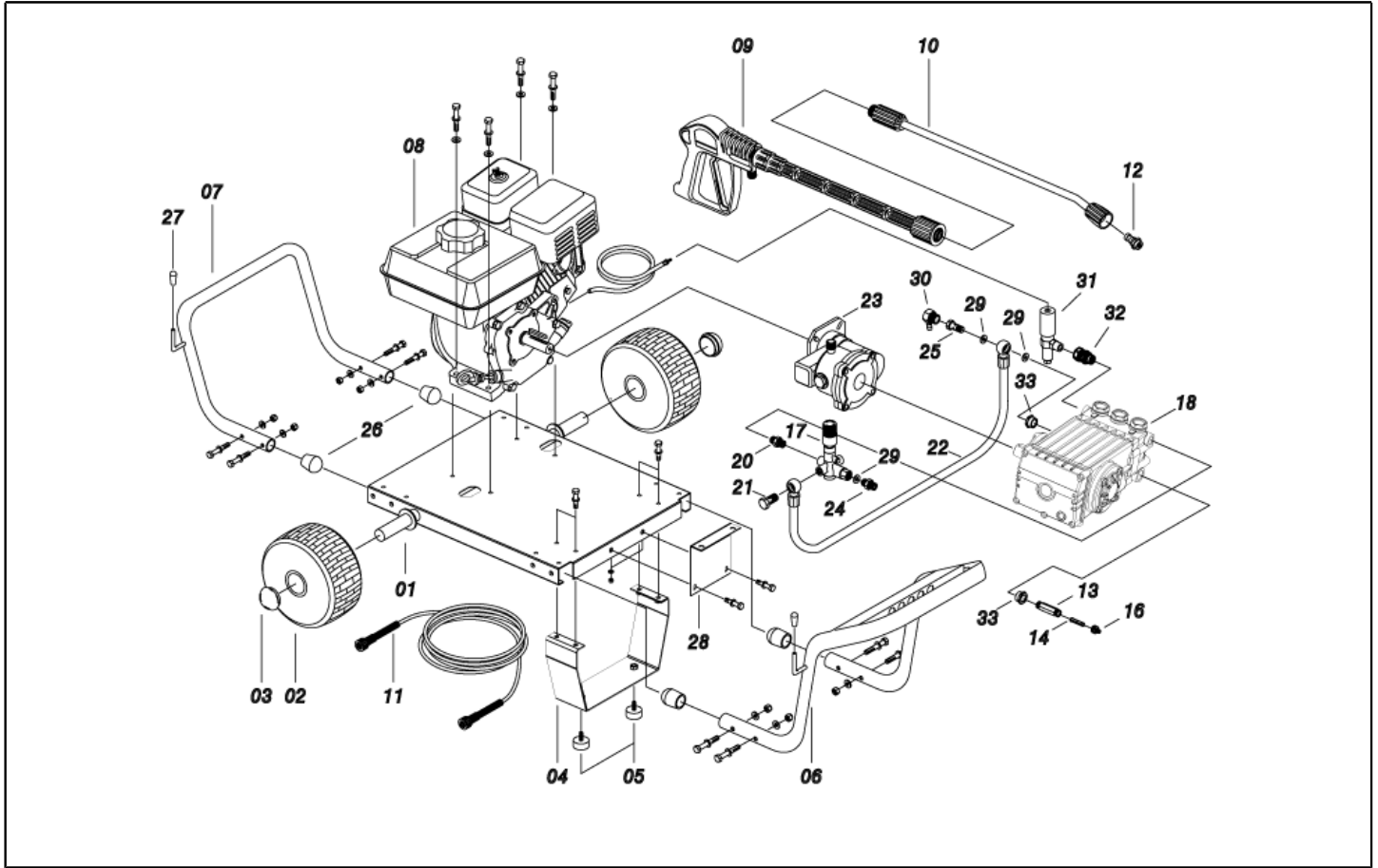


Spare Parts List

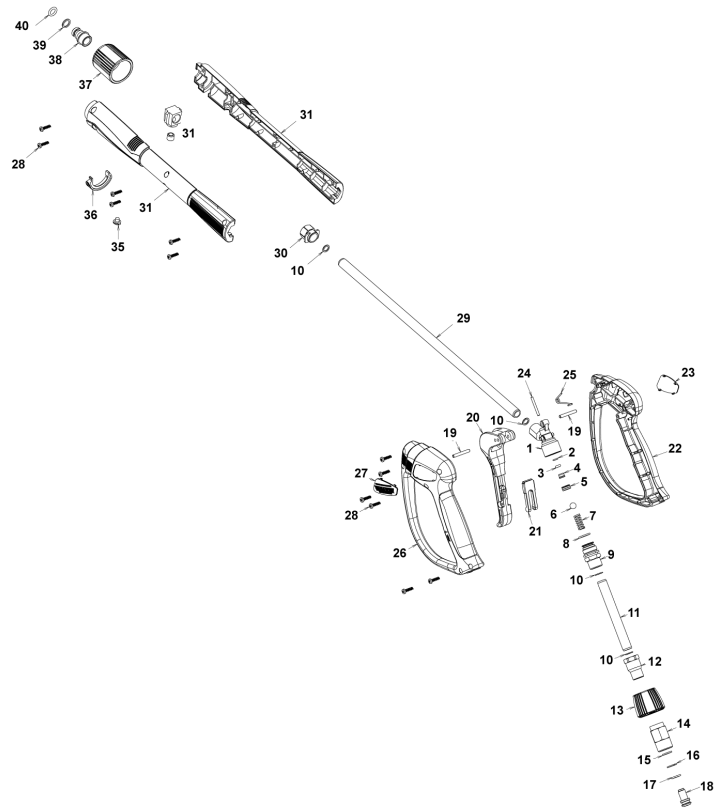
IP Cleaning Srl - Professional

Ref: IDAF40947

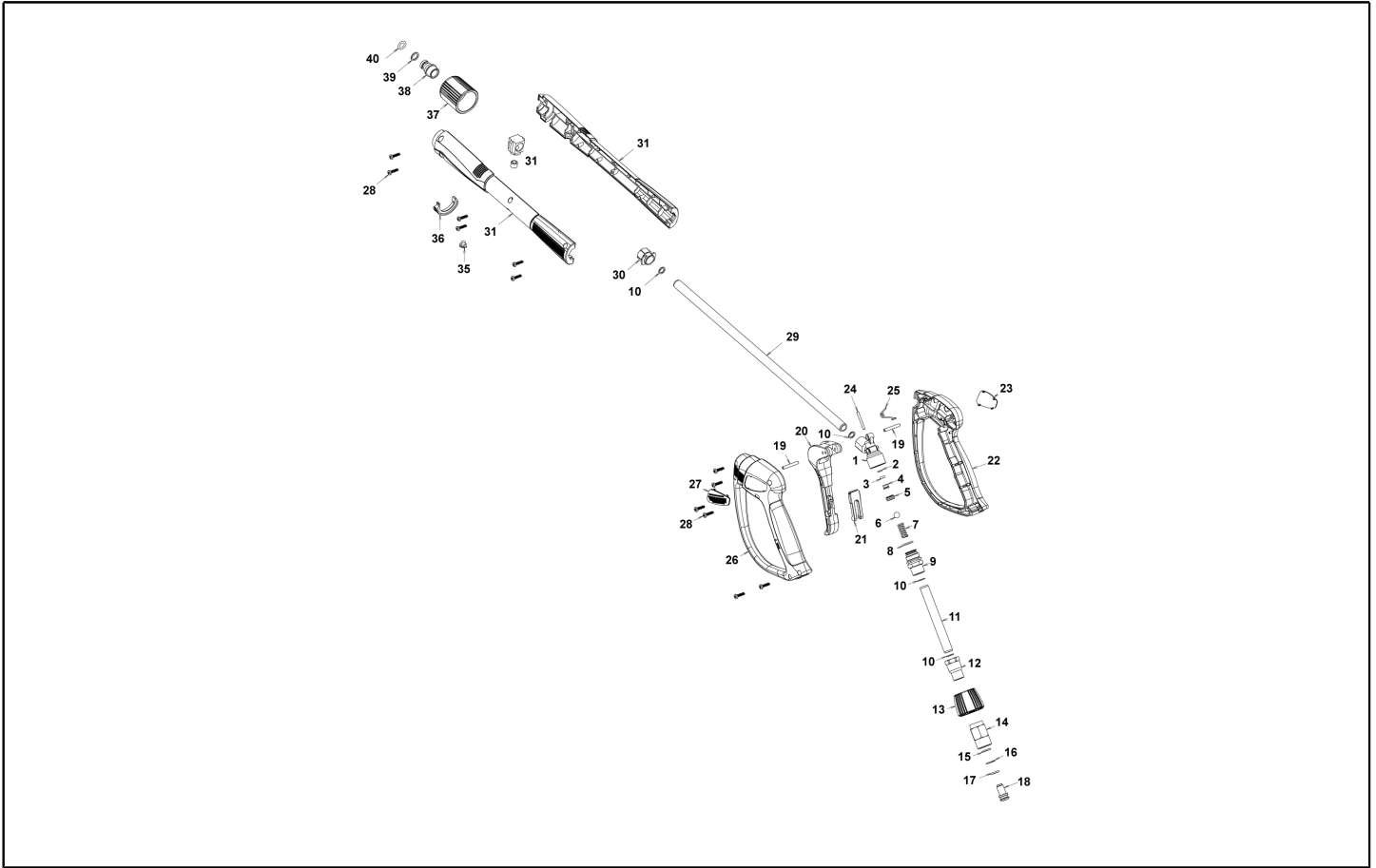
Model: H.P. CLEANER BENZ-C L DL1230Pi P IPC



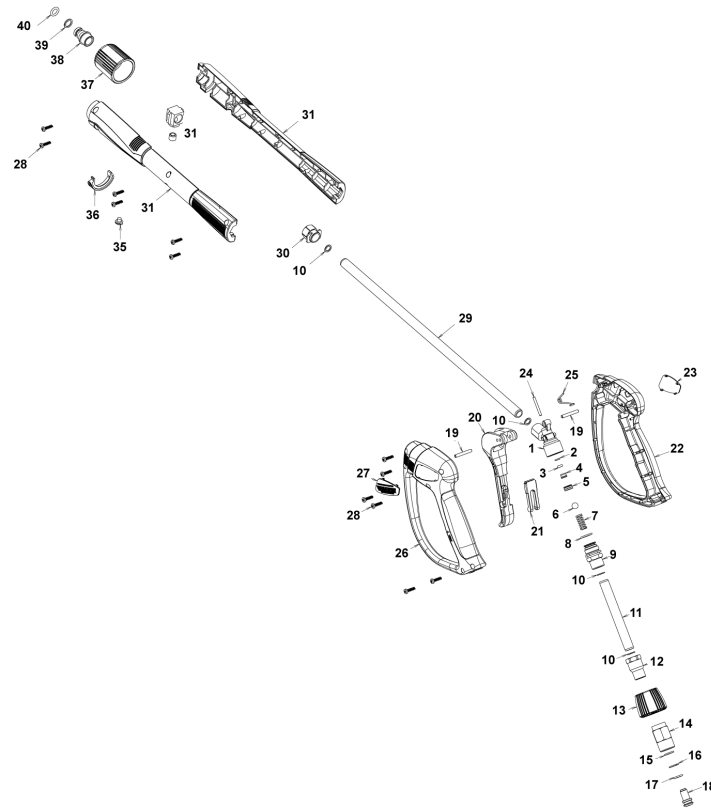
Ref. K	Part N.	Part N. 2	Description	Quantity	Validity		Price
					From	To	
0001	LAFN40179	N/A	CHASSIS BENZ HP 9-13	1,00			--
0002	RTRT40006	N/A	WHEEL D. 13.5"X 6/6 -D.25 PN.	2,00			--
0003	VTVR01268	N/A	HUB CAP D. 25	2,00			--
0004	LAFN40181	N/A	FOOT BENZ HP 9-13	1,00			--
0005	MPVR60726	N/A	VIBRATION DAMP. TCC48X25- 1M8X16 60SH GMM	2,00			--
0006	LAFN40188	N/A	HANDLE BENZ HP 9-13	1,00			--
0007	LAFN40183	N/A	BUMPER BENZ HP 9-13	1,00			--
0008	MOSC40002	N/A	ENGINE MOTOR HONDA GX390 UT2 QX Q4 OH	1,00			--
0009	IPPR40020	N/A	GRIP G 6000+P.330 +M22 SW.M V	1,00		14/06/2018	--
0009	IPPR40025	N/A	GRIP G 6000+P.330 +M22 SW.M 2V	1,00	15/06/2018		--
0010	LCPR40013	N/A	EXTENSION P 70 - HYPERJET 1/4F	1,00			--
0011	TBAP40010	N/A	H.P. HOSE R2 MT 10 3/ 8" C/2 IRV IX	1,00			--
0012	UGLN75267	N/A	WATER NOZZLE 2514 1/4 MEG	1,00			--
0013	RCDS46109	N/A	NIPPLE 3/4 - 1/2 RYL INX	1,00			--
0014	FTAC30214	N/A	FILTER D.15X67	1,00			--
0016	RCVR29600	N/A	SOCKET PTC 3/4 F	1,00			--
0017	VVAZ40095	N/A	VALVE VRT3 3/8F 31MPa E-St.	1,00			--
0018	PPAP40013	N/A	PUMP WS1630 DX LT 30 -160 BAR	1,00			--
0020	RCDS12121	N/A	NIPPLE 3/8 - 3/8 SV/CN	1,00			--
0021	RCDS01371	N/A	SCREW G 3/8 A.P.	1,00			--
0022	TBBP40132	N/A	L.P. HOSE L= 365 1/2OCC-3/8OCC. 90°	1,00			--
0023	RDGR40001	N/A	REDUCTION UNIT RS 500H	1,00		31/12/2022	--
0023	RDGR40006	N/A	REDUCTION UNIT RGB 18 - 18Hp	1,00	01/01/2023		--
0024	RCIN09348	N/A	MALE COUPLING 3/8MA L=32	1,00			--
0024	RCIN03753	N/A	MALE COUPLING M22-3/8 M-FA	1,00			--
0025	RCDS40278	N/A	SCREW G 1/2 + 1/2F - D.10 L=57	1,00			--
0026	MPVR01697	N/A	PROD D.30 1.02.109	4,00			--
0027	MPVR32471	N/A	PROD D. 8 BK	2,00			--
0028	LAFN40193	N/A	SUPPORT BRACKET BENZ HP 13.0 LS	1,00			--
0029	VTRS00548	N/A	WASHER D.17,5X23X1,5 (3/8)RM	1,00			--
0029	VTRS00548	N/A	WASHER D.17,5X23X1,5 (3/8)RM	2,00			--
0030	VVSC40021	N/A	VALVE 1/2" ML610 56° 10b.	1,00			--
0031	PIID40001	N/A	DECELERATOR TC ETC 5-360BAR 7MM 3/8M	1,00			--
0032	RCVR00563	N/A	SWIVEL RACCORD 3/8 M/F	1,00			--
0033	RCVR40042	N/A	REDUCTION 3/4-1/2 M/F NIK	1,00			--
0033	RCVR40042	N/A	REDUCTION 3/4-1/2 M/F NIK	1,00			--



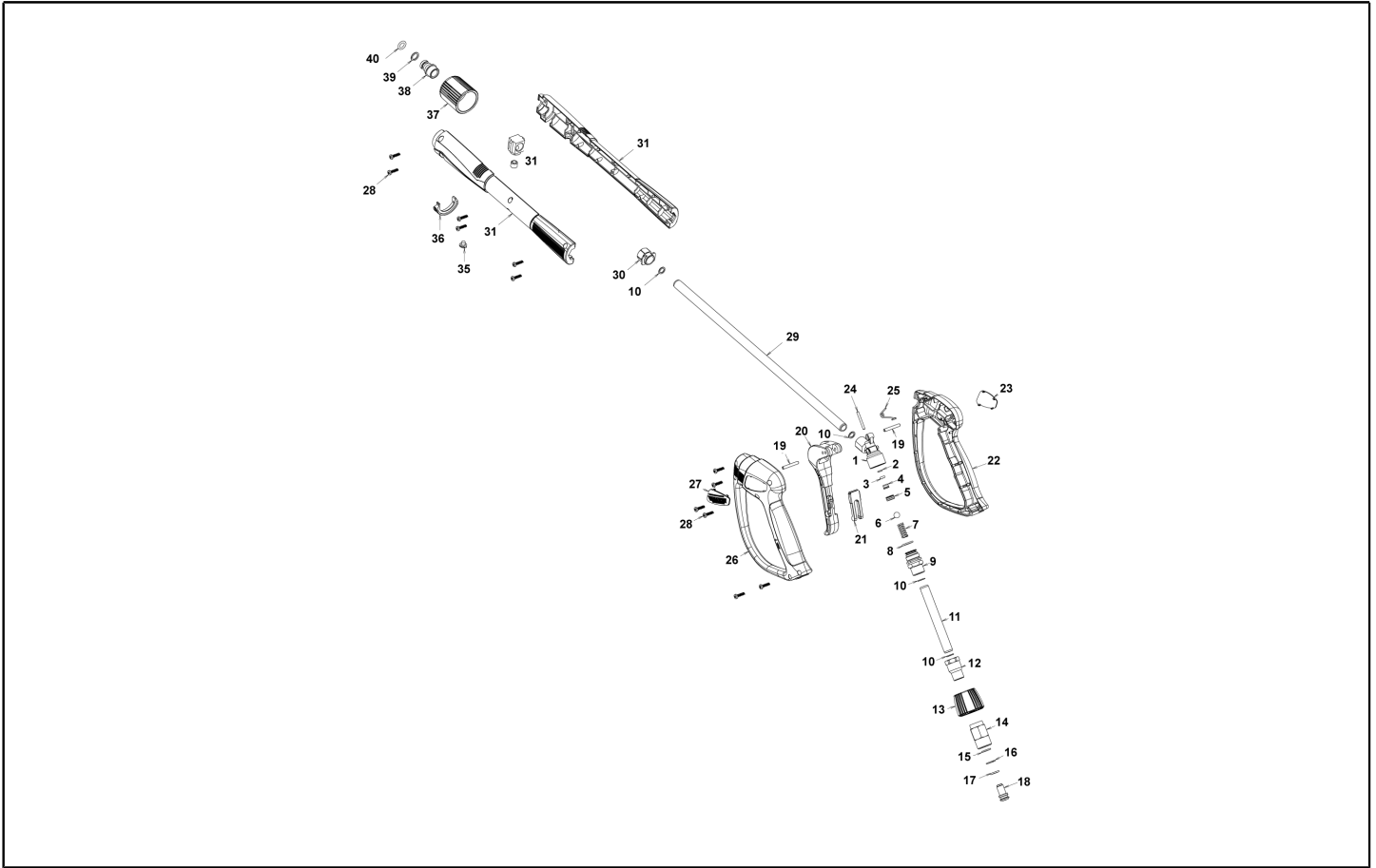
Ref. K	Part N.	Part N. 2	Description	Quantity	Validity		Price
					From	To	
0001	PVVR40381	N/A	GUN BODY G 5100 G1/4F	1,00			--
0002	S GUVR40074	N/A	ANTI-EXTR.RING D. 3 X 7.4X1.3	1,00			--
0003	S GUGO21835	N/A	O-RING D. 2.84 X 2.62 VIT. 80SH	1,00			--
0004	PVVR40382	N/A	PISTON GUIDE G 5100	1,00			--
0005	S PVVR40112	N/A	BALL SEAT G 5000	1,00			--
0006	S SFVR40002	N/A	BALL D.11/32" ALL GR16	1,00			--
0007	MLML40016	N/A	SPRING D. 9.4 x21.5x1.6 G5000	1,00			--
0008	GUGO12322	N/A	O-RING D. 14 X 1.78 NBR 90SH	1,00			--
0009	PVVR40383	N/A	CONNECTOR COLL.G5100 1/4F	1,00			--
0010	VTRS40017	N/A	WASHER D. 8.2X11,4X1.00	4,00			--
0011	PVVR40384	N/A	TUBE G 1/4" L.105	1,00			--
0012	RCIN40022	N/A	CONNECTOR SWIV G5100 1/4F	1,00			--
0013	MPVR40819	N/A	RING NUT G 5100 SW. BK.	1,00			--
0014	RCIN40021	N/A	JOINT SWIV 5100 M22	1,00			--
0015	S GUVR40075	N/A	ANTI-EXTR.RING D. 10 X14X1.5	1,00			--
0016	S GUVR40076	N/A	ANTI-EXTR.RING D. 11.2X14X1.2	1,00			--
0017	S GUGO15295	N/A	O-RING D. 10.82 X 1.78 VIT 75SH	1,00			--
0018	PVVR40386	N/A	SCREW SW. G 5100	1,00			--
0019	VTVR40047	N/A	PLUG D. 4X29	2,00			--
0020	MPVR40820	N/A	TRIGGER G 6000-SW	1,00			--
0021	MPVR40821	N/A	SAFETY-DEVICE G 6000-SW	1,00			--
0022	MPVR40822	N/A	SHELL G 6000-SW DX	1,00			--
0023	MPVR40823	N/A	PLATE G 6000 GR.DX	1,00			--
0024	PVVR40387	N/A	SMALL PISTON G 5100	1,00			--
0025	MLML40029	N/A	SPRING G 5100	1,00			--
0026	MPVR40824	N/A	SHELL G 6000-SW SX	1,00			--
0027	MPVR40825	N/A	PLATE G 6000 GR.SX	1,00			--
0028	VTVT40043	N/A	SCREW AF 4X 14 HILO ZN.N	12,00			--
0029	LCPR40086	N/A	TUBE 1/4 L=420 ZC. 0°	1,00			--
0030	MPVR40493	N/A	CONNECTOR G 5100-SW	1,00			--
0031	MPVR40494	N/A	PROTECTION P 420 C/AN.	1,00			--
0035	MPVR40198	N/A	CAP G 5000	1,00			--
0036	MPVR40495	N/A	CAP G 5100 REM.	1,00			--
0037	PVVR40119	N/A	CONNECTION M22X1,5 IRV G5000	1,00			--
0038	RCIN40009	N/A	GUDGEON G 1/4 F IRV G5000	1,00			--
0039	GUVR40034	N/A	ANTI-EXTR.RING D. 10 X14	1,00			--
0040	GUGO01946	N/A	O-RING D. 9.13 X 2.62 VIT 70SH	1,00			--



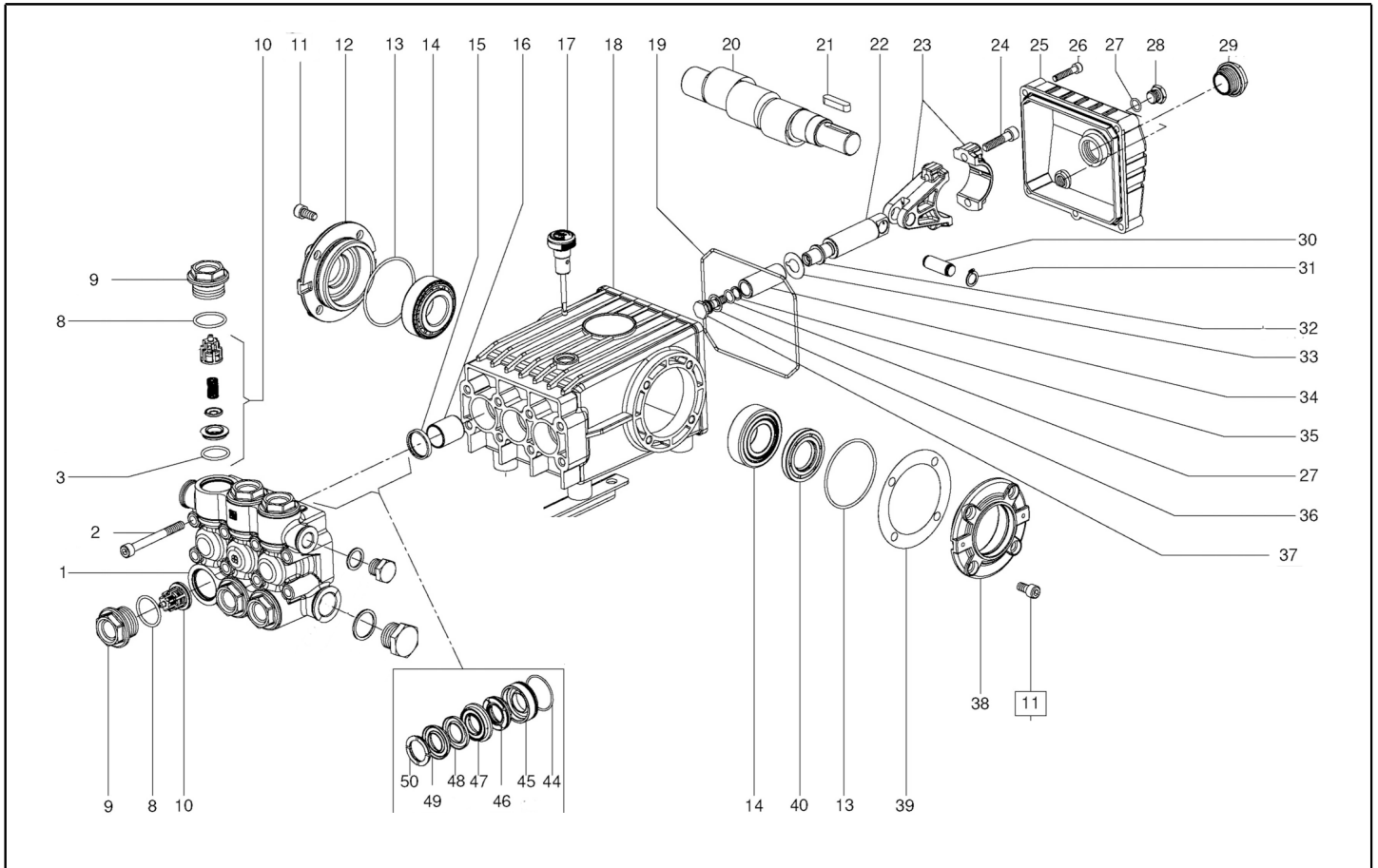
Ref. Part N.	Part N. 2	Description	Reference	Price
KTRI40243		KIT P 26- 26 SWIVEL G 5100	0015 0016 0017	--
KTRI40414		KIT P 26- 34 G 6000	0002 0003 0005 0006	--



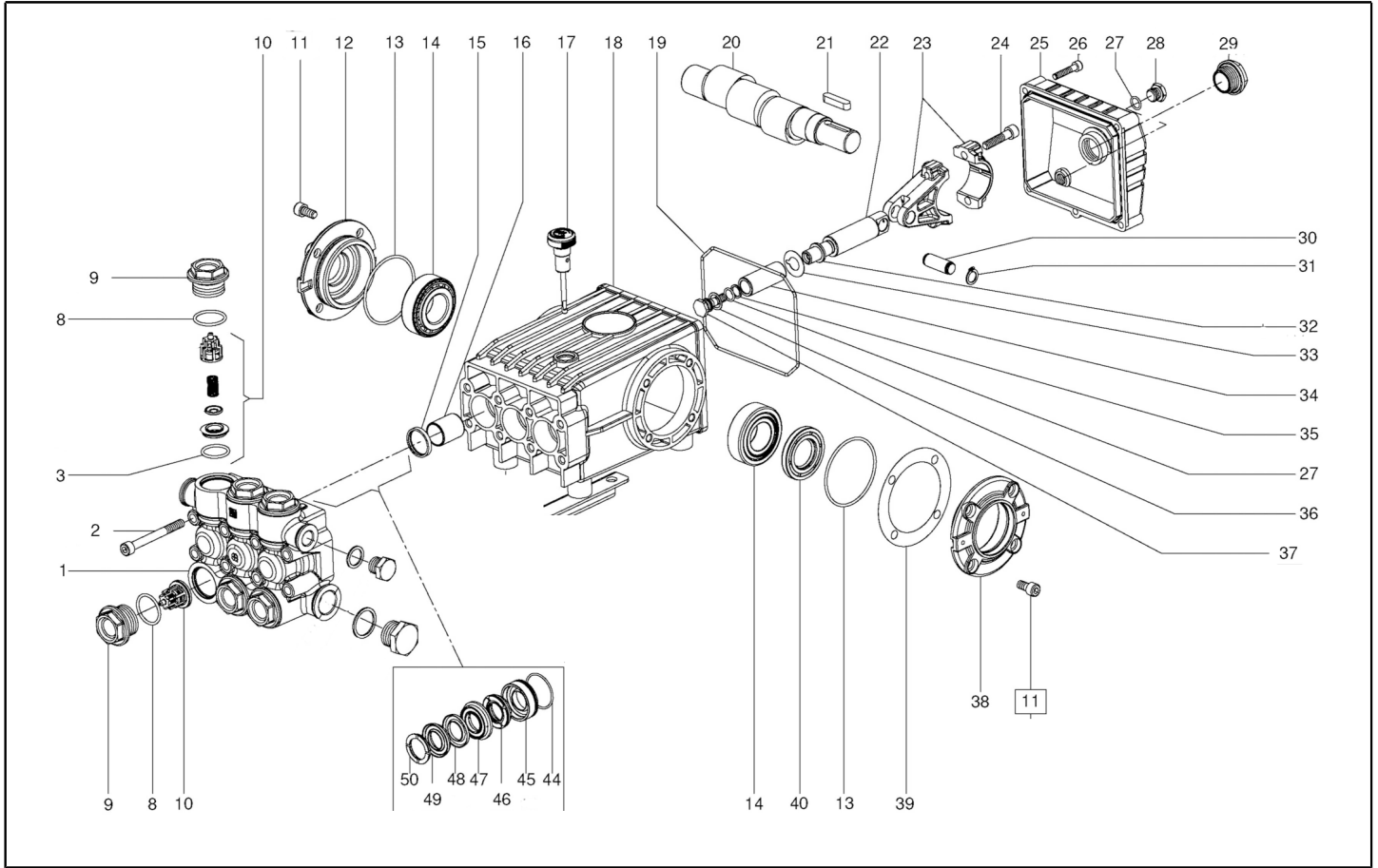
Ref. K	Part N.	Part N. 2	Description	Quantity	Validity		Price
					From	To	
0001	PVVR40381	N/A	GUN BODY G 5100 G1/4F	1,00			--
0002	S GUVR40074	N/A	ANTI-EXTR.RING D. 3 X 7.4X1.3	1,00			--
0003	S GUGO21835	N/A	O-RING D. 2.84 X 2.62 VIT. 80SH	1,00			--
0004	PVVR40382	N/A	PISTON GUIDE G 5100	1,00			--
0005	S PVVR40563	N/A	BALL SEAT AL36 G6000 + OR	1,00			--
0006	S SFVR40004	N/A	BALL D. 5/16" ALL.GR16	1,00			--
0007	S MLML40047	N/A	SPRING D. 9.4 x23.5x1.6 G6000	1,00			--
0008	GUGO12322	N/A	O-RING D. 14 X 1.78 NBR 90SH	1,00			--
0009	PVVR40383	N/A	CONNECTOR COLL.G5100 1/4F	1,00			--
0010	VTRS40017	N/A	WASHER D. 8.2X11,4X1.00	4,00			--
0011	PVVR40384	N/A	TUBE G 1/4" L.105	1,00			--
0012	RCIN40022	N/A	CONNECTOR SWIV G5100 1/4F	1,00			--
0013	MPVR40967	N/A	RING NUT G 6000 SW. GR.	1,00			--
0014	RCIN40021	N/A	JOINT SWIV 5100 M22	1,00			--
0015	S GUVR40075	N/A	ANTI-EXTR.RING D. 10 X14X1.5	1,00			--
0016	S GUVR40076	N/A	ANTI-EXTR.RING D. 11.2X14X1.2	1,00			--
0017	S GUGO15295	N/A	O-RING D. 10.82 X 1.78 VIT 75SH	1,00			--
0018	PVVR40386	N/A	SCREW SW. G 5100	1,00			--
0019	VTVR40047	N/A	PLUG D. 4X29	2,00			--
0020	MPVR40820	N/A	TRIGGER G 6000-SW	1,00			--
0021	MPVR40821	N/A	SAFETY-DEVICE G 6000-SW	1,00			--
0022	MPVR40822	N/A	SHELL G 6000-SW DX	1,00			--
0023	MPVR40968	N/A	PLATE G 6000/2 GR.DX	1,00			--
0024	S PVVR40564	N/A	SMALL PISTON G 6000 AL36 SP.	1,00			--
0025	MLML40029	N/A	SPRING G 5100	1,00			--
0026	MPVR40824	N/A	SHELL G 6000-SW SX	1,00			--
0027	MPVR40825	N/A	PLATE G 6000 GR.SX	1,00			--
0028	VTVT40043	N/A	SCREW AF 4X 14 HILO ZN.N	12,00			--
0029	LCPR40181	N/A	TUBE 1/4 L=416 ZC. 0°	1,00			--
0030	MPVR40493	N/A	CONNECTOR G 5100-SW	1,00			--
0031	MPVR40494	N/A	PROTECTION P 420 C/AN.	1,00			--
0035	MPVR40198	N/A	CAP G 5000	1,00			--
0036	MPVR40495	N/A	CAP G 5100 REM.	1,00			--
0037	PVVR40119	N/A	CONNECTION M22X1,5 IRV G5000	1,00			--
0038	RCIN40048	N/A	GUDGEON G 1/4 F IRV G6000/2	1,00			--
0039	GUVR40034	N/A	ANTI-EXTR.RING D. 10 X14	1,00			--
0040	GUGO63555	N/A	O-RING D. 9.3 X 2,4 VIT 75SH	1,00			--



Ref. Part N.	Part N. 2	Description	Reference	Price
KTRI40243		KIT P 26- 26 SWIVEL G 5100	0015 0016 0017	--
KTRI40513		KIT P 26- 36 G 6000/II	0002 0003 0005 0006 0007 0024	--



Ref. K	Part N.	Part N. 2	Description	Quantity	Validity		Price
					From	To	
0001	MFVR40116	N/A	HEAD W 1630 D.22	1,00			--
0002	VTVT40103	N/A	SCREW TCEI M 8X75 UNI 5931	8,00			--
0008	GUGO40124	N/A	O-RING D. 28.25 X 2.62 NBR 90SH	6,00			--
0009	RCDS40355	N/A	CAP M32X1.5X17.5 W1630	6,00			--
0010	S VVAM89459	N/A	VALVE UNIT "66"	6,00			--
0011	VTVT01118	N/A	SCREW TCEI M 8X16 ZC. UNI 5931	8,00			--
0012	MFVR40117	N/A	CRANKASE COVER "47" LT.	1,00			--
0013	GUGO01041	N/A	O-RING D. 67.95 X 2.62 NBR 70SH	2,00			--
0014	CUVR09205	N/A	ROLLER BEARING 32206 A	2,00			--
0015	S GUGO01000	N/A	OIL SEAL 22X 32X 5 NBR70	3,00			--
0016	PVVR01011	N/A	BUSHING W 151	3,00			--
0017	PVVR01092	N/A	OIL DIPSTICK W 151	1,00			--
0018	MFVR01013	N/A	PUMP CRANKCASE W 151	1,00			--
0019	GUGO34590	N/A	O-RING D. 133.02 X 2.62 NBR 70SH	1,00			--
0020	ALMO43279	N/A	SHAFT T 5050 USA	1,00			--
0021	VTVR41531	N/A	KEY 8X 7X35 UNI 6604A	1,00			--
0022	PVVR40631	N/A	PISTON GUIDE W 1630	3,00			--
0023	BLVR01009	N/A	CONNECTING ROD W 151	3,00			--
0024	VTVT01120	N/A	SCREW TCEI 8X35 UNI5931	6,00			--
0025	MFVR03582	N/A	CRANKASE COVER W 151 POS	1,00			--
0026	VTVT01116	N/A	SCREW TCEI 6X30 UNI5931	4,00			--
0027	S GUGO01036	N/A	O-RING D. 10.82 X 1.78 NBR 70SH	4,00			--
0028	PVVR40502	N/A	CAP 1/4X 9 M TE17 ZC	1,00			--
0029	PVVR01083	N/A	OIL INDICATOR G 3/4 W70-151	1,00			--
0030	PVVR01085	N/A	GUIDGEON D.13X35 W151	3,00			--
0031	VTAE14016	N/A	CIRCLIP D. 12 UNI 7435	6,00			--
0032	PVVR40632	N/A	SPACER D. 14-20.5 L=2.5	3,00			--
0033	S VTRS01753	N/A	WASHER D.14X28 X0,5	3,00			--
0034	PIVR01067	N/A	PISTON D.22X50 W 132	3,00			--
0035	S GUVR00994	N/A	ANTI-EXTR.RING W151	3,00			--
0036	S VTRS01076	N/A	WASHER D.14X18,5X0,5	3,00			--
0037	S PVVR01107	N/A	PISTON BOLT IP W151	3,00			--
0038	MFVR40078	N/A	CRANKASE COVER "59" EVO.3 LT.AB.	1,00			--
0039	PVVR01016	N/A	THICKNESS 0,1 W 151	1,00			--
0040	GUGO01003	N/A	OIL SEAL 30X 55X 7 NBR70	1,00			--
0044	S GUGO01042	N/A	O-RING D. 34.6 X 1.78 NBR 70SH	3,00			--
0045	S PVVR00978	N/A	PACKING RETAIN. W132	3,00			--
0046	S GUVR34584	N/A	PACKING W 132 L.P.	3,00			--
0047	S PVVR34588	N/A	INTERMED. RING W 132 D. 22	3,00			--
0048	S GUVR34586	N/A	PACKING D. 22 RESTOP	3,00			--
0049	S GUVR00982	N/A	PACKING W132	3,00			--
0050	S PVVR00986	N/A	HEAD RING W132	3,00			--



Ref. Part N.	Part N. 2	Description	Reference	Price
KTRI17860		KIT P 15- 2	0015	--
KTRI17793		KIT P 6	0033 0035 0036 0037 0027	--
KTRI18588		KIT P 11	0050	--
KTRI17878		KIT P 14	0044 0045	--
KTRI18590		KIT P 29	0044 0045 0046 0047 0048 0049 0050	--
KTRI36166		KIT P 148	0046 0048 0049	--
KTRI36133		KIT P 149	0047 0048	--
KTRI88005		KIT P 15-169	0010	--