

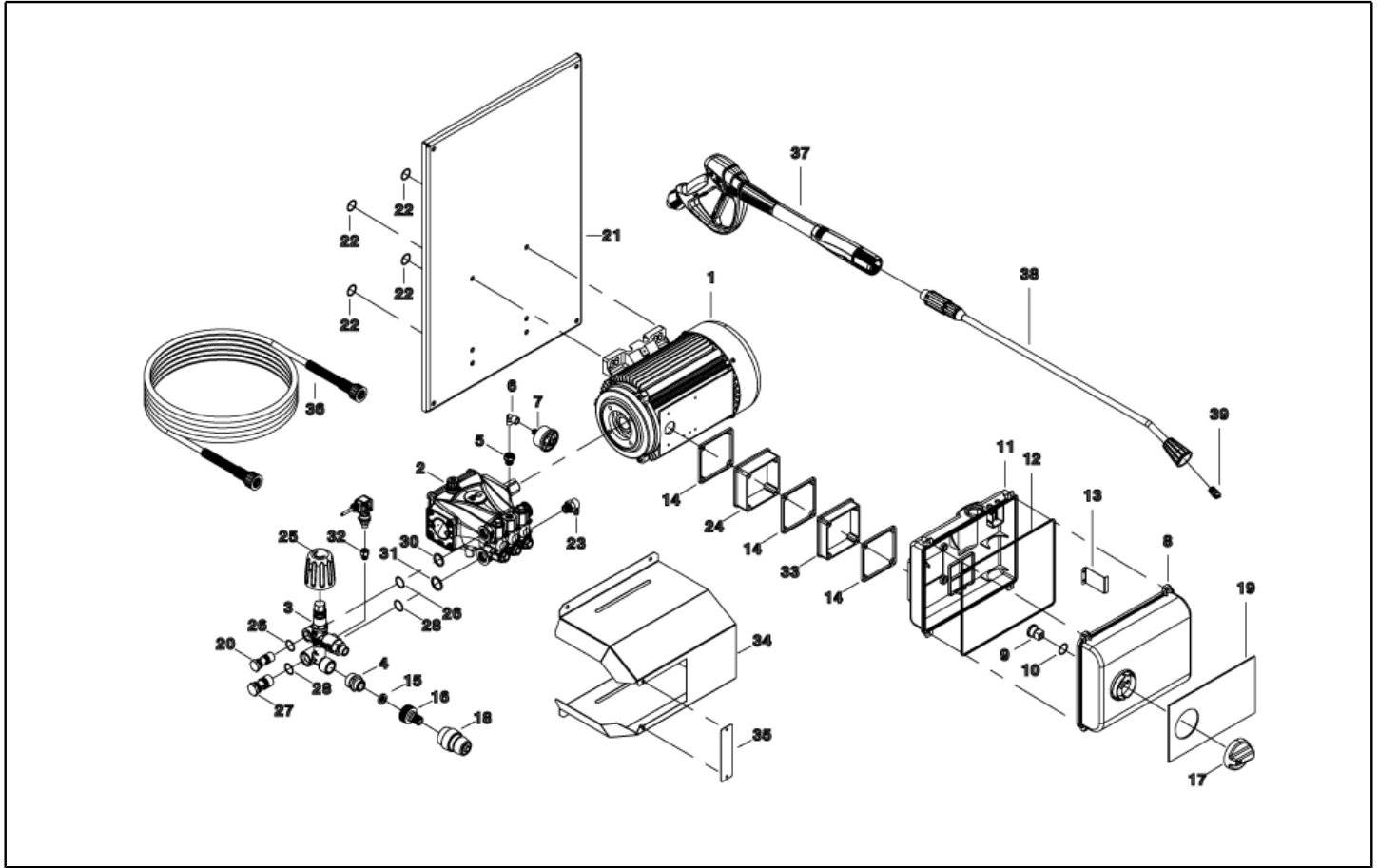


IPC

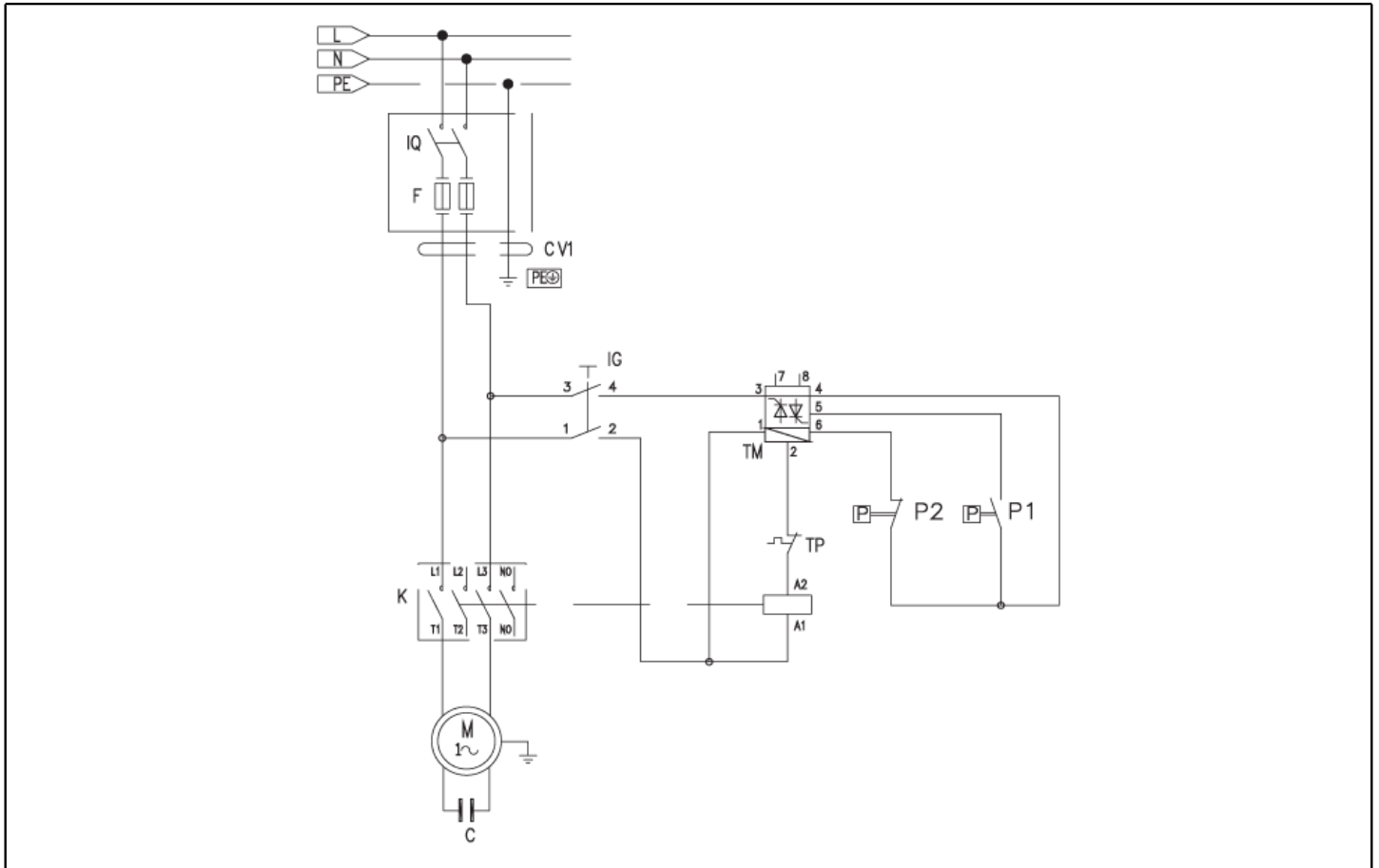
Spare parts list

Ref: PPEL40079

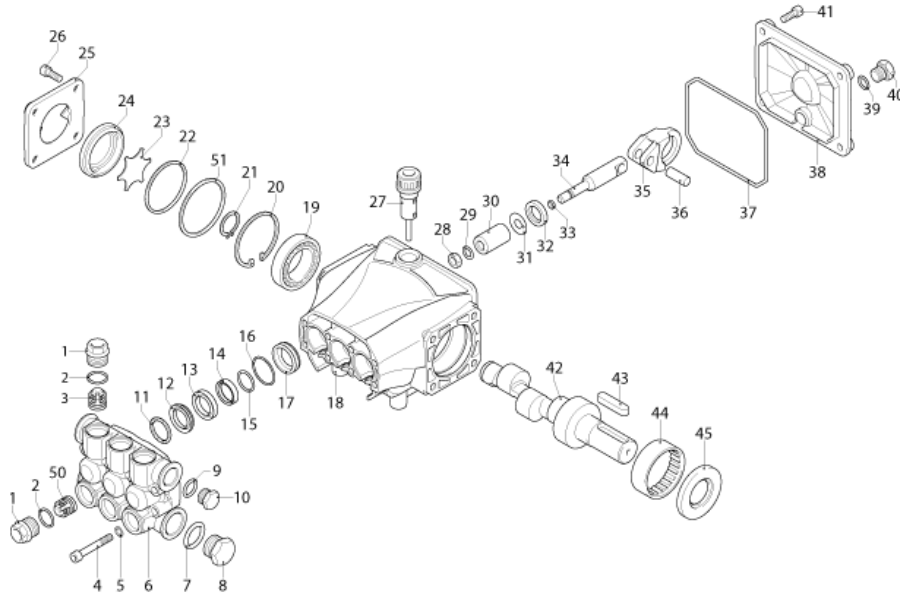
Model: H.P. CLEANER MLC-C D1310P M 230/50 IPC



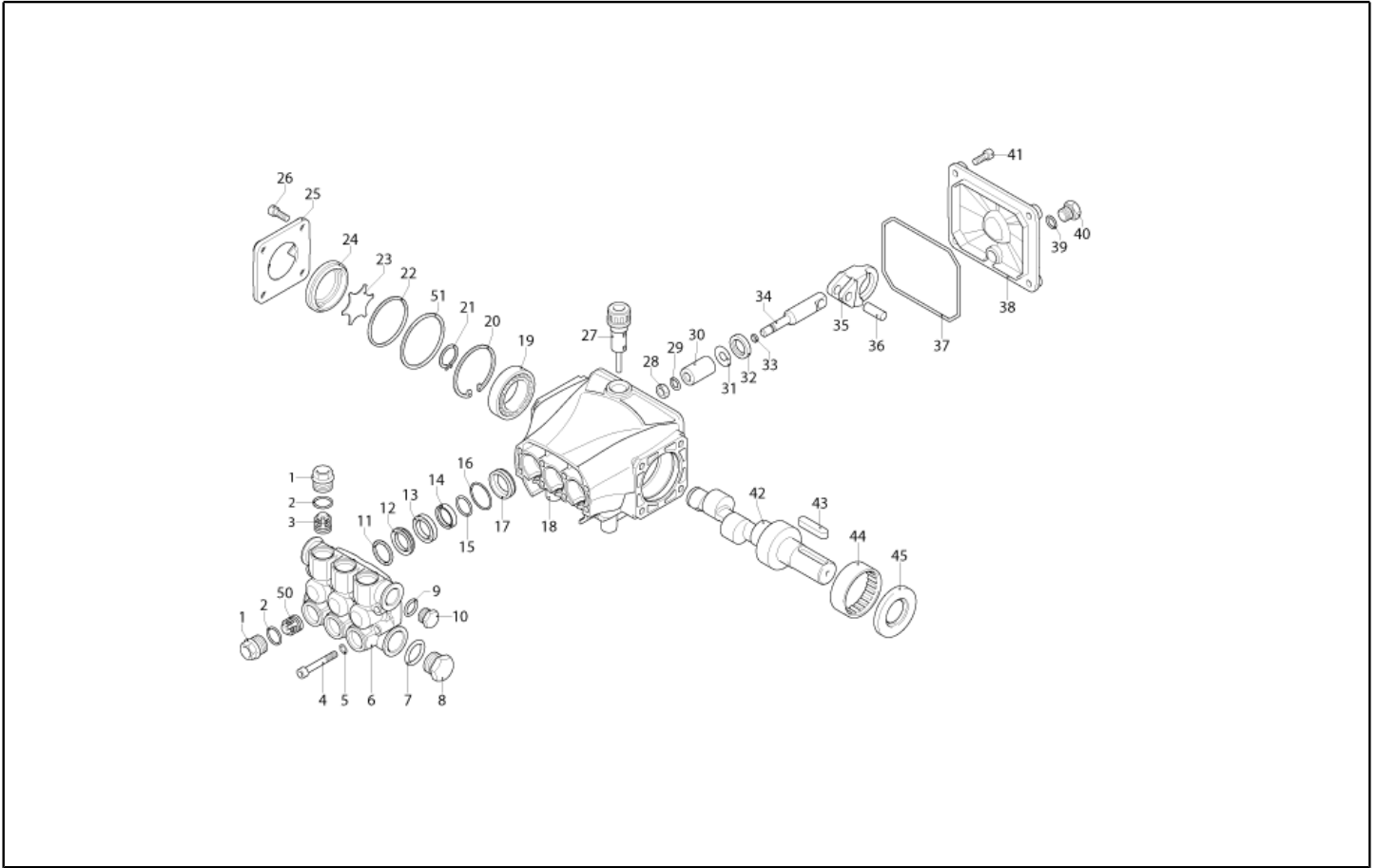
Ref. K	Part n.	Customer part n.	Description	Quantity	Validity		Price
					From	To	
0001	MOMO40042		1PH MOTOR C40/AC HP 3 230-50 4P-k	1,00			--
0002	PPAP40054		PUMP RC 10.12 DX N	1,00			--
0003	VVAZ40078		VALVE VRF-2 AR-R PPr.S/IN.M22	1,00			--
0004	RCDS87610	00087610	NIPPLE 3/4 - 1/2 CB D.13.0	1,00			--
0005	PVVR40183		CAP AR RC C/F. 1/8F+OR	2,00			--
0006	RCVR34780	00034780	ELBOW 1/8" M/F A10	1,00			--
0007	MNMN18650	00018650	PRESSURE GAUGE 0-300 D.40	1,00			--
0008	MPVR40335		BOX COVER PW-C40 ABS BK.	1,00			--
0009	MPVR23482	00023482	SWITCH TANG TEC. TUV	1,00			--
0010	GUGO25527	00025527	O-RING D. 14 X 3 NBR 70SH	1,00			--
0011	MPVR40334		CONTROL BOX PW-C4/50 ABS BK.	1,00		31/03/2016	--
0011	MPVR40669		CONTROL BOX PW-C50 MP/DS ABS BK.	1,00	01/04/2016		--
0012	GUGO33675	00033675	JOINT MOUSSE D. 4	0,90			--
0013	LAFN40458		SUPPORT PW-C40 INX	1,00		30/04/2016	--
0013	LAFN40830		SUPPORT PW-C85 INX	1,00	01/05/2016		--
0014	GUGO10881	00010881	GASKET M.EL. 73X73	1,00			--
0014	GUGO10881	00010881	GASKET M.EL. 73X73	2,00			--
0015	FTDT12702	00012702	FILTER PA	1,00			--
0016	RCVR29600	00029600	SOCKET PTC 3/4 F	1,00			--
0017	MPVR49057	00049057	BLACK KNOB P176-M.RACE PA6	1,00			--
0018	RCVR29602	00029602	CONNECTOR D. 1/2"-5/8" PTC	1,00			--
0019	ETET40714		LABEL GR. MPU-C IPC	1,00			--
0020	RCDS40172		SCREW 3/8 VRF-2 OT 4F.	1,00			--
0021	LAFN40673		SUPPORT BRACKET MPU-C AL.	1,00			--
0022	MPVR37393	00037393	RUBBER D. 10-30 L=13 70SH PRM	4,00			--
0024	MPVR13033	00013033	SPACER SIC H90	1,00			--
0025	MPVR40589		BLACK KNOB ST 260 IPC	1,00			--
0026	GUGO03510	00003510	O-RING D. 12.37 X 2.62 NBR 70SH	2,00			--
0027	RCDS40171		SCREW G 1/2 VRF-2 OT. 2F.	1,00			--
0027	GUGO01048	00001048	O-RING D. 15.88 X 2.62 NBR 70SH	2,00			--
0030	VTRS00548	00000548	WASHER D.17,5X23X1,5 (3/8)RM	1,00			--
0031	VTRS00549	00000549	WASHER D.21,5X27X1,5 (1/2) RM	1,00			--
0032	RCVR89164		SLEEVE 1/8 M/F A5	1,00			--
0033	MPVR40348		SPACER C50 H.22 PP	1,00			--
0034	LAFN40851		PROTECTION MPU-C AL.	1,00			--
0035	LAFN40852		PLATE GR. MPU-C AL.	1,00			--
0036	TBAP25324	00025324	H.P. HOSE R1 MT 10 5/16" C/2 IRV ZC	1,00			--
0037	IPPR40020		GRIP G 6000+P.330 +M22 SW.M V	1,00			--
0038	LCPR40087		EXTENSION P 70 -P20.IX700 M22 M	1,00			--
0039	UGLN40000		NOZZLE LECH 1/4 15034	1,00			--



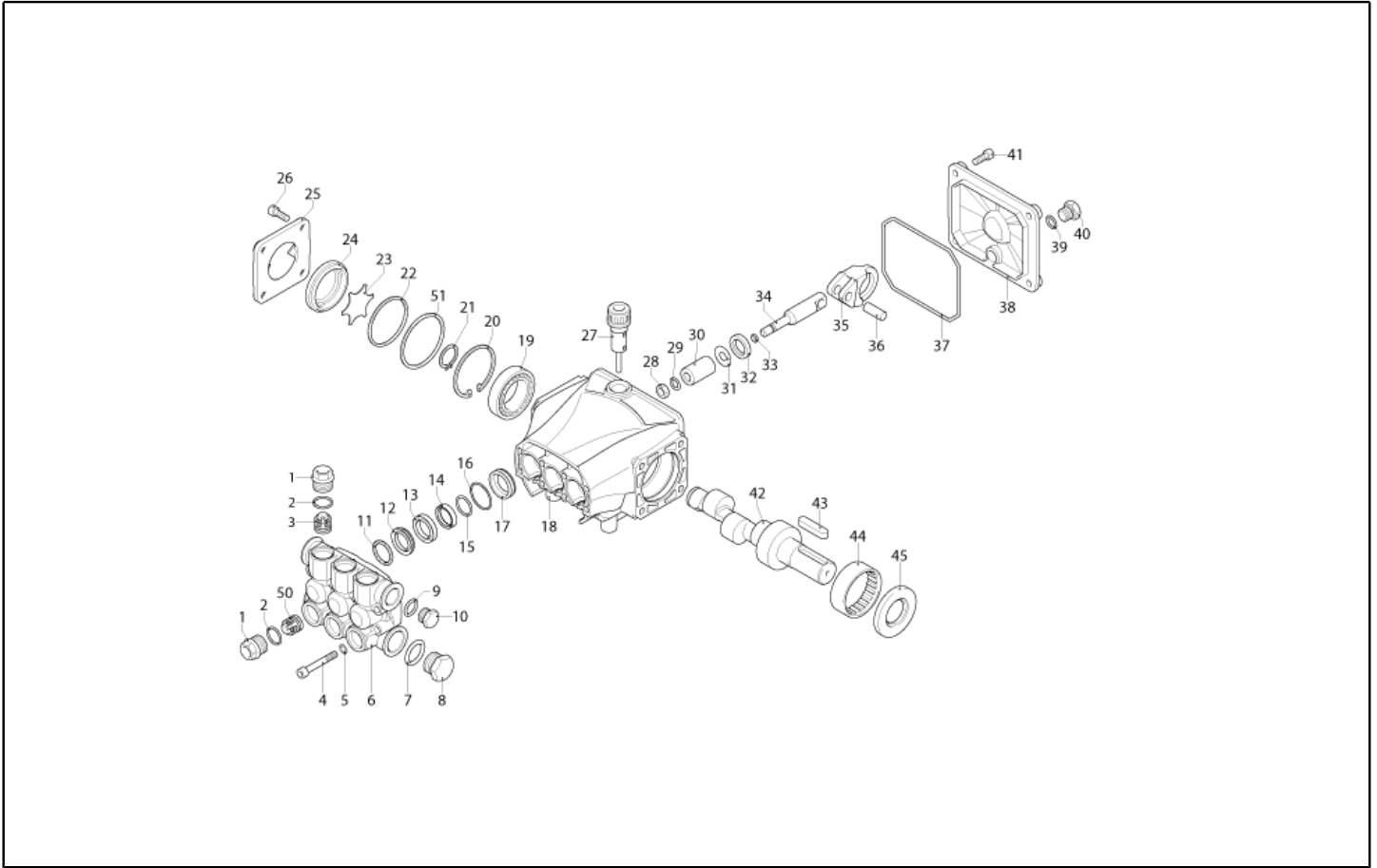
Ref. K	Part n.	Customer part n.	Description	Quantity	Validity		Price
					From	To	
C	MECO13159	00013159	CONDENSER 60 MF 450V D.55X 95	1,00			--
K	METT40012		CONTACTOR SIE 3RT 2017-1AP01 230V	1,00			--
IG	MECI40020		SWITCH BRM BP. 0-1 12A	1,00			--
TM	METY40001		TIMER THV/1 220-5/60 30S. VM	1,00	01/09/2015	31/03/2016	--
TM	METY40002		TIMER THV/1 220-5/60 30S. 2P	1,00	01/04/2016		--
CV1	MECB40191		CABLE H05 VVF 3X1.5 L=5.500 SP.	1,00			--
P1,2	MEPF40036		PRESSURE SWITCH MTM 1/8M NA/NC 15B. MICRO	2,00	01/04/2016		--



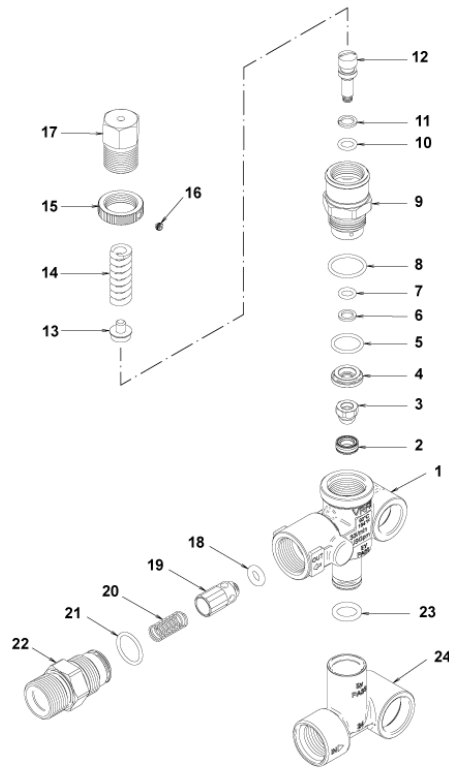
Ref. K	Part n.	Customer part n.	Description	Quantity	Validity		Price
					From	To	
0001	PVVR40120		CAP AR RC	6,00			--
0002	GUGO03505	00003505	O-RING D. 15.6 X 1.78 NBR 70SH	6,00			--
0003	S VVAM40002		VALVE UNIT RC	6,00		31/08/2012	--
0003	S VVAM40002		VALVE UNIT RC	3,00	01/08/2012		--
0004	VTVT06236	00006236	SCREW TCCE UNI 5931 6X40 ZB	8,00			--
0005	VTRS01077	00001077	WASHER D. 6.4X10X0,7	8,00			--
0006	MFVR40019		HEAD AR RC OT.	1,00			--
0007	GUGO19245	00019245	O-RING D. 17.5 X 2 NBR 70SH	1,00			--
0008	PVVR40121		CAP 1/2 M RC	1,00			--
0009	GUGO09720	00009720	O-RING D. 14 X 1.78 NBR 70SH	1,00			--
0010	PVVR40099		CAP 3/8 M HRM	1,00			--
0011	S PVVR40122		HEAD RING D. 18 RC	3,00			--
0012	S GUVR40035		PACKING D. 18 RC H.P.	3,00			--
0013	PVVR40123		INTERMED. RING D. 18 RC	3,00			--
0014	S GUVR40036		PACKING D. 18 RC L.P.	3,00			--
0015	S GUVR40037		ANTI-EXTR.RING D.21	3,00			--
0016	S GUGO19290	00019290	O-RING D. 23.52 X 1.78 NBR 70SH	3,00		31/03/2014	--
0016	GUGO08182	00008182	O-RING D. 21.91 X 1.78 NBR 70SH	3,00	01/04/2014		--
0017	PVVR40124		PACKING RETAIN. D. 18 RC	3,00			--
0018	MFVR40020		PUMP CRANKCASE AR RC	1,00		31/03/2014	--
0018	MFVR40027		PUMP CRANKCASE AR RCS	1,00	01/04/2014		--
0019	CUVR28336	00028336	BALL BEARING 6304	1,00			--
0020	VTAE09661	00009661	CIRCLIP D. 52 UNI 7437	1,00			--
0021	VTAE06193	00006193	CIRCLIP D. 20 UNI 7435	1,00			--
0022	GUGO02561	00002561	O-RING D. 47.3 X 2.62 NBR 70SH	1,00			--
0023	PVVR40125		DISC RC	1,00			--
0024	PVVR40126		OIL INDICATOR RC	1,00			--
0025	MFVR40021		CRANKASE COVER AR RC LT.	1,00			--
0026	VTVT01531	00001531	SCREW TE 6X 16 UNI 5739	4,00			--
0027	PVVR19231	00019231	OIL CAP XTS	1,00		31/03/2014	--
0027	PVVR40436		OIL CAP RC	1,00	01/04/2014		--
0028	VTDD00483	00000483	NUT M 8 ZIN UNI 5588	3,00			--
0029	VTRS19394	00019394	WASHER D. 8X13X0,5	8,00			--
0030	S PIVR40005		PISTON D.18X30 RC	3,00			--
0031	PVVR19233	00019233	DISC XTS	3,00			--
0032	S GUGO09690	00009690	OIL SEAL 15X 24X 5 NBR70	3,00			--
0033	GUGO08071	00008071	O-RING D. 4.48 X 1.78 NBR 70SH	3,00			--
0034	PVVR40127		PISTON GUIDE RC	3,00			--
0035	BLVR40001		CONNECTING ROD RC	3,00			--
0036	PVVR40128		GUDGEON D. 9X23 RC	3,00			--
0037	GUGO18695	00018695	O-RING D. 101.27 X 2.62 NBR 70SH	1,00			--
0038	MFVR40022		CRANKASE COVER AR RC	1,00			--
0039	GUGO01036	00001036	O-RING D. 10.82 X 1.78 NBR 70SH	1,00			--
0040	PVVR40129		CAP 1/4 M RC	1,00			--



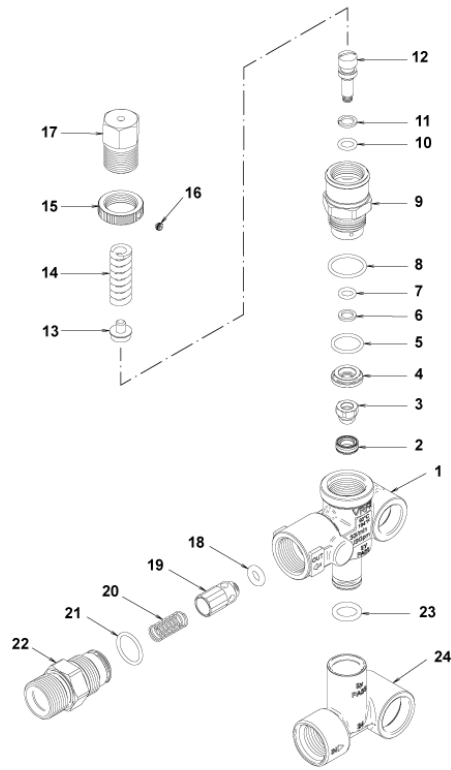
Ref. K	Part n.	Customer part n.	Description	Quantity	Validity		Price
					From	To	
0041	VTVT09913	00009913	SCREW TCEI 6X16 UNI5931	4,00			--
0042	ALMO40007		SHAFT AR RC 10LT VRS. N	1,00			--
0043	VTVR41531	00041531	KEY 8X 7X35 UNI 6604A	1,00			--
0044	CUVR23636	00023636	ROLLER BEARING HK 4516	1,00			--
0045	S GUGO00999	00000999	OIL SEAL 25X 52X 7 NBR70	1,00			--
0050	S VVAM40007		VALVE UNIT RC ASP. BK	3,00	01/08/2012		--
0051	PVVR40437		RING D. 51.8 X0.5	1,00	01/04/2014		--



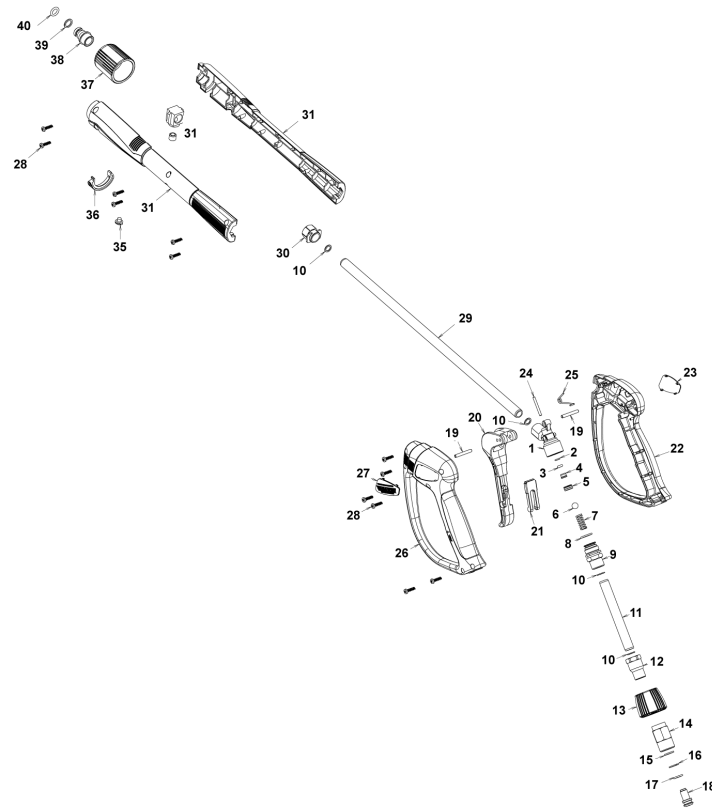
Ref. Part n.	Cust. part n.	Description	Reference	Price
KTRI40092		KIT P 15-2186 RC	0003	--
KTRI40093		KIT P 15-42917 RC	0030	--
KTRI40094		KIT P 15-42919 D.18 RC	0012 0014 0015 0016	--
KTRI40095		KIT P 15-42903 D.18 RC	0011	--
KTRI40096		KIT P 15-42918 RC	0032 0045	--
KTRI40207		KIT P 15-42914 RC 3+3 BL./WH.	0003 0003	--



Ref. K	Part n.	Customer part n.	Description	Quantity	Validity		Price
					From	To	
0001	PVVR40375		VALVE BODY VRF2 +G1/8 F	1,00			--
0002	S PVVR40363		VALVE SEAT MV124 +OR	1,00			--
0003	S PVVR40364		COUPLING MV124	1,00			--
0004	S PVVR40365		SPACER MV124	1,00			--
0005	S GUGO12322	00012322	O-RING D. 14 X 1.78 NBR 90SH	1,00			--
0006	S GUVR40072		ANTI-EXTR.RING D. 6.5X 9.4	1,00			--
0007	S GUGO83861		O-RING D. 6.07 X 1.78 NBR 90SH	1,00			--
0008	S GUGO24913	00024913	O-RING D. 17.17 X 1.78 NBR 90SH	1,00			--
0009	S PVVR40366		CONNECTOR VRF2 D.10	1,00			--
0010	S GUGO03500	00003500	O-RING D. 6.75 X 1.78 NBR 70SH	1,00			--
0011	S GUVR40073		ANTI-EXTR.RING D. 7.1X10 X1.2 TBT	1,00			--
0012	S PVVR40367		SMALL PISTON D.10 VRF2	1,00			--
0013	PVVR40368		SPRING PLATE MV124 25B	1,00			--
0014	MLML40027		SPRING D. 3.0/6.0 X38.85	1,00			--
0015	PVVR40369		RING NUT MV167.09	1,00			--
0016	VTVT89696		SCREW EI-ST 4X 4 UNI5927 ZC	1,00			--
0017	PVVR40370		CAP VRF2 M18X1	1,00			--
0018	S GUGO46053	00046053	O-RING D. 6 X 3 NBR 90SH	1,00			--
0019	S PVVR40349		COUPLING VRT3	1,00			--
0020	S MLML40026		SPRING VRT3	1,00			--
0021	S GUGO12321	00012321	O-RING D. 15.6 X 1.78 NBR 90SH	1,00			--
0022	PVVR40374		CONNECTOR VRT3 M22 M	1,00			--
0023	S GUGO11225	00011225	O-RING D. 10.78 X 2.62 NBR 70SH	1,00			--
0024	PVVR40373		CONNECTOR VRF2.24	1,00			--



Ref. Part n.	Cust. part n.	Description	Reference	Price
KTRI40236		KIT P 14-103 VRF2	0002 0003 0004 0005 0006 0007 0008 0009 0010 0011 0012 0018 0019 0020 0021	--
KTRI40237		KIT P 14-104 SEAL VRF2	0002 0003 0005 0006 0007 0008 0010 0011 0018 0021	--



Ref. K	Part n.	Customer part n.	Description	Quantity	Validity		Price
					From	To	
0001	PVVR40381		GUN BODY G 5100 G1/4F	1,00			--
0002	S GUVR40074		ANTI-EXTR.RING D. 3 X 7.4X1.3	1,00			--
0003	S GUGO21835	00021835	O-RING D. 2.84 X 2.62 VIT. 80SH	1,00			--
0004	PVVR40382		PISTON GUIDE G 5100	1,00			--
0005	S PVVR40112		BALL SEAT G 5000	1,00			--
0006	S SFVR40002		BALL D.11/32" ALL GR16	1,00			--
0007	MLML40016		SPRING D. 9.4 x21.5x1.6 G5000	1,00			--
0008	GUGO12322	00012322	O-RING D. 14 X 1.78 NBR 90SH	1,00			--
0009	PVVR40383		CONNECTOR COLL.G5100 1/4F	1,00			--
0010	VTRS40017		WASHER D. 8.2X11,4X1.00	4,00			--
0011	PVVR40384		TUBE G 1/4" L.105	1,00			--
0012	RCIN40022		CONNECTOR SWIV G5100 1/4F	1,00			--
0013	MPVR40819		RING NUT G 5100 SW. BK.	1,00			--
0014	RCIN40021		JOINT SWIV 5100 M22	1,00			--
0015	S GUVR40075		ANTI-EXTR.RING D. 10 X14X1.5	1,00			--
0016	S GUVR40076		ANTI-EXTR.RING D. 11.2X14X1.2	1,00			--
0017	S GUGO15295	00015295	O-RING D. 10.82 X 1.78 VIT 80SH	1,00			--
0018	PVVR40386		SCREW SW. G 5100	1,00			--
0019	VTVR40047		PLUG D. 4X29	2,00			--
0020	MPVR40820		TRIGGER G 6000-SW	1,00			--
0021	MPVR40821		SAFETY-DEVICE G 6000-SW	1,00			--
0022	MPVR40822		SHELL G 6000-SW DX	1,00			--
0023	MPVR40823		PLATE G 6000 GR.DX	1,00			--
0024	PVVR40387		SMALL PISTON G 5100	1,00			--
0025	MLML40029		SPRING G 5100	1,00			--
0026	MPVR40824		SHELL G 6000-SW SX	1,00			--
0027	MPVR40825		PLATE G 6000 GR.SX	1,00			--
0028	VTVT40043		SCREW AF 4X 14 HILO ZN.N	12,00			--
0029	LCPR40086		TUBE 1/4 L=420 ZC. 0°	1,00			--
0030	MPVR40493		CONNECTOR G 5100-SW	1,00			--
0031	MPVR40494		PROTECTION P 420 C/AN.	1,00			--
0035	MPVR40198		CAP G 5000	1,00			--
0036	MPVR40495		CAP G 5100 REM.	1,00			--
0037	PVVR40119		CONNECTION M22X1,5 IRV G5000	1,00			--
0038	RCIN40009		GUDGEON G 1/4 F IRV G5000	1,00			--
0039	GUVR40034		ANTI-EXTR.RING D. 10 X14	1,00			--
0040	GUGO01946	00001946	O-RING D. 9.13 X 2.62 VIT 70SH	1,00			--

