

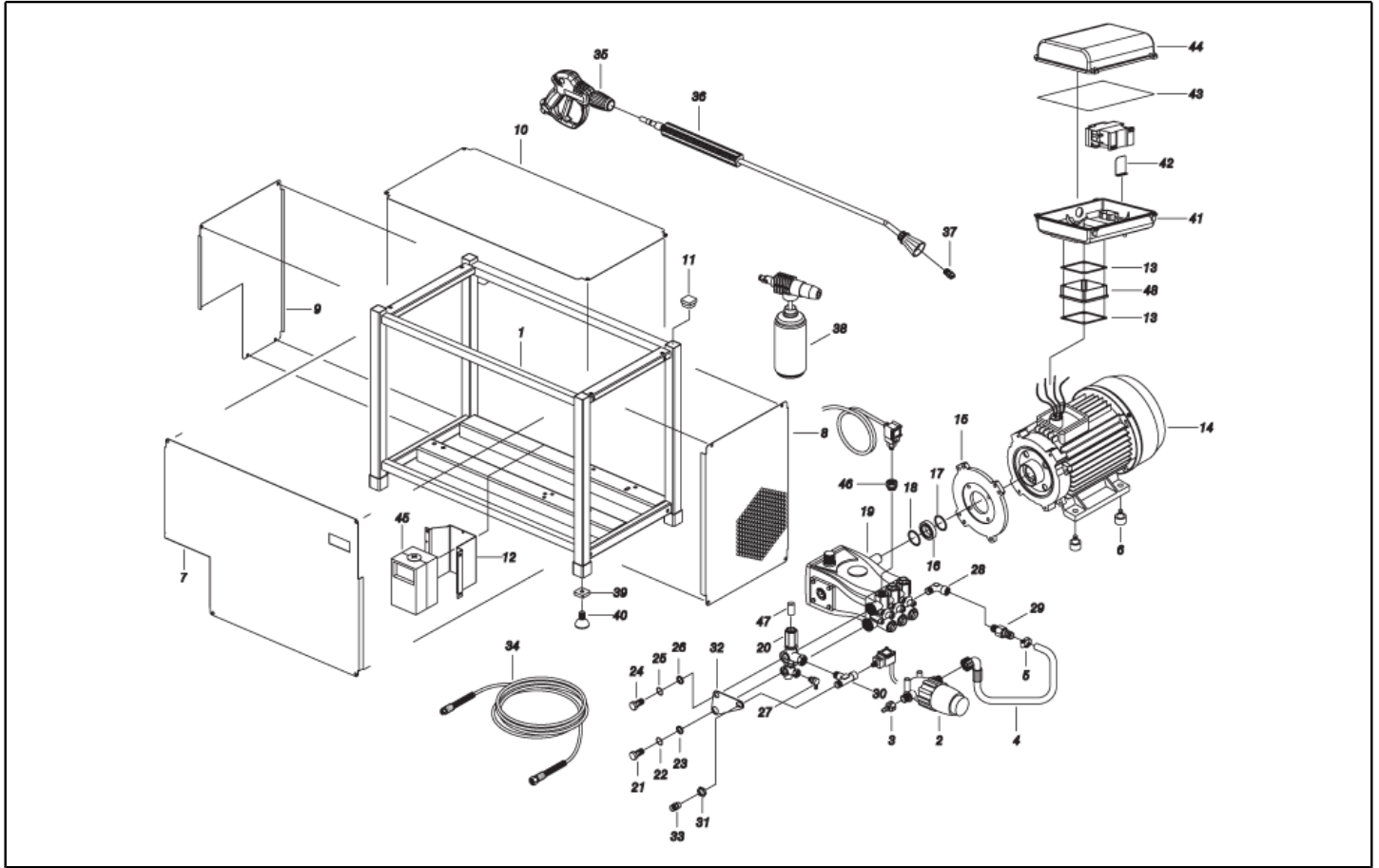


**IPC**

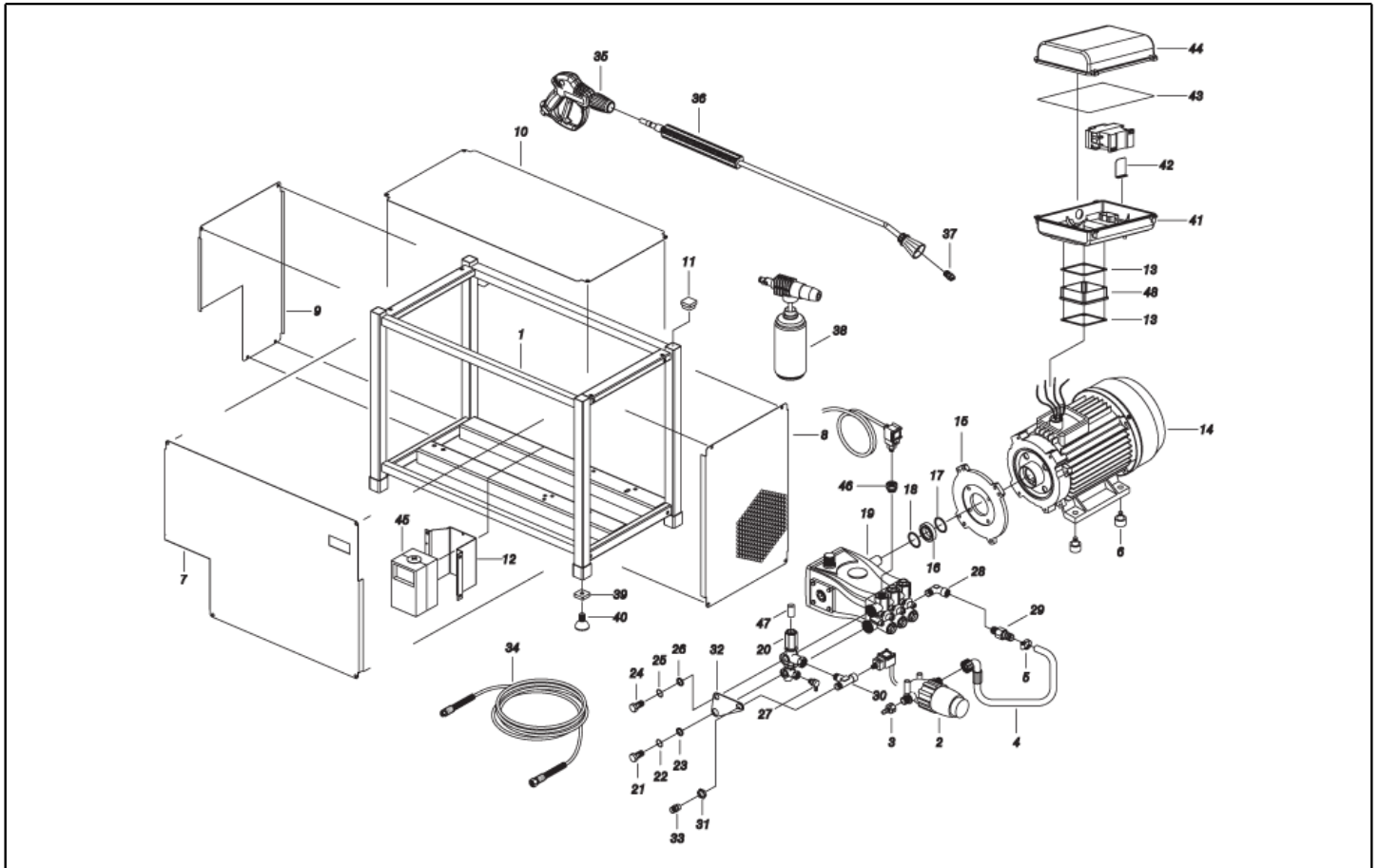
**Spare parts list**

Ref: IDAF40488

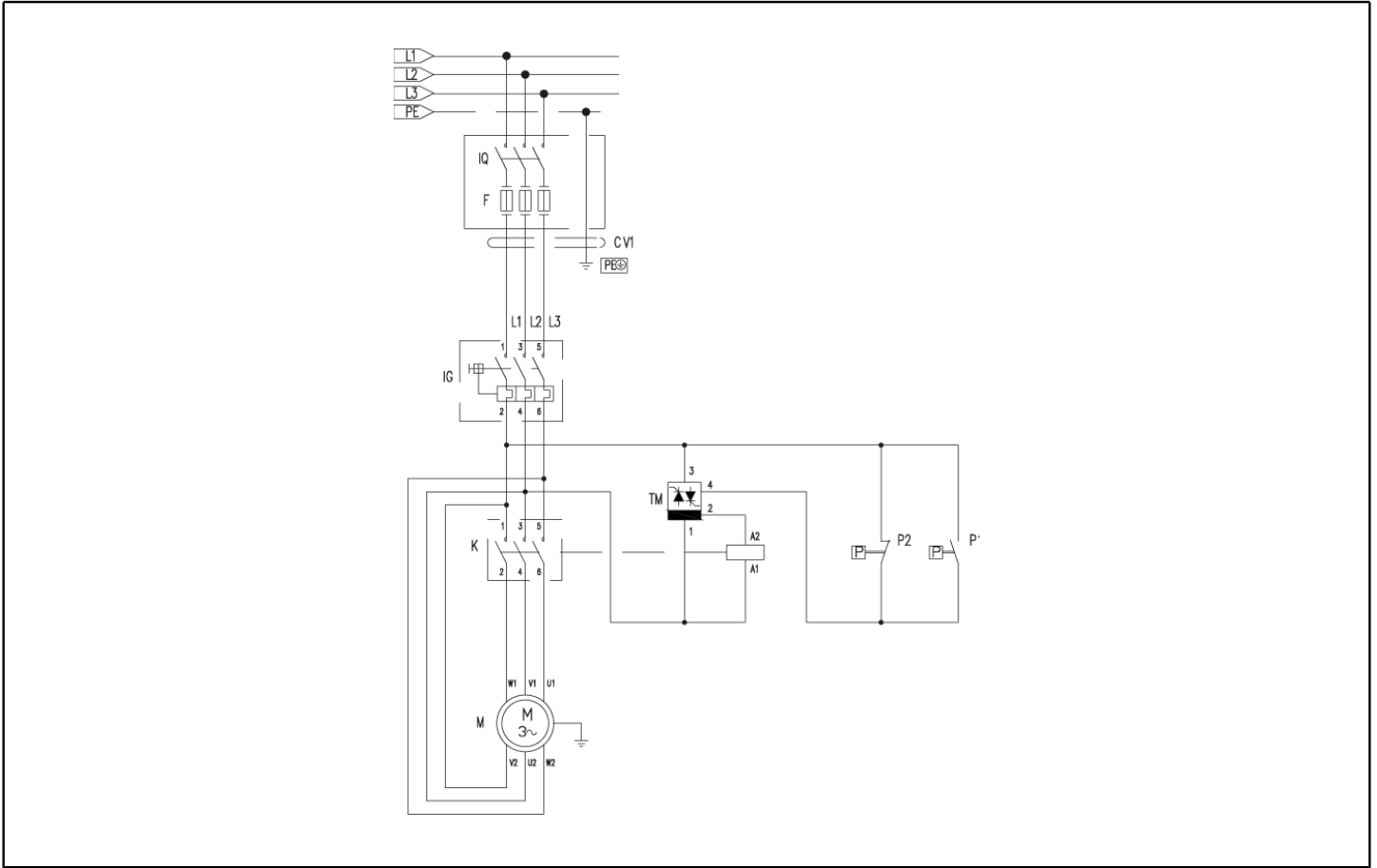
Model: H.P. CLEANER MLC-C D2117P T 230/50 IPC



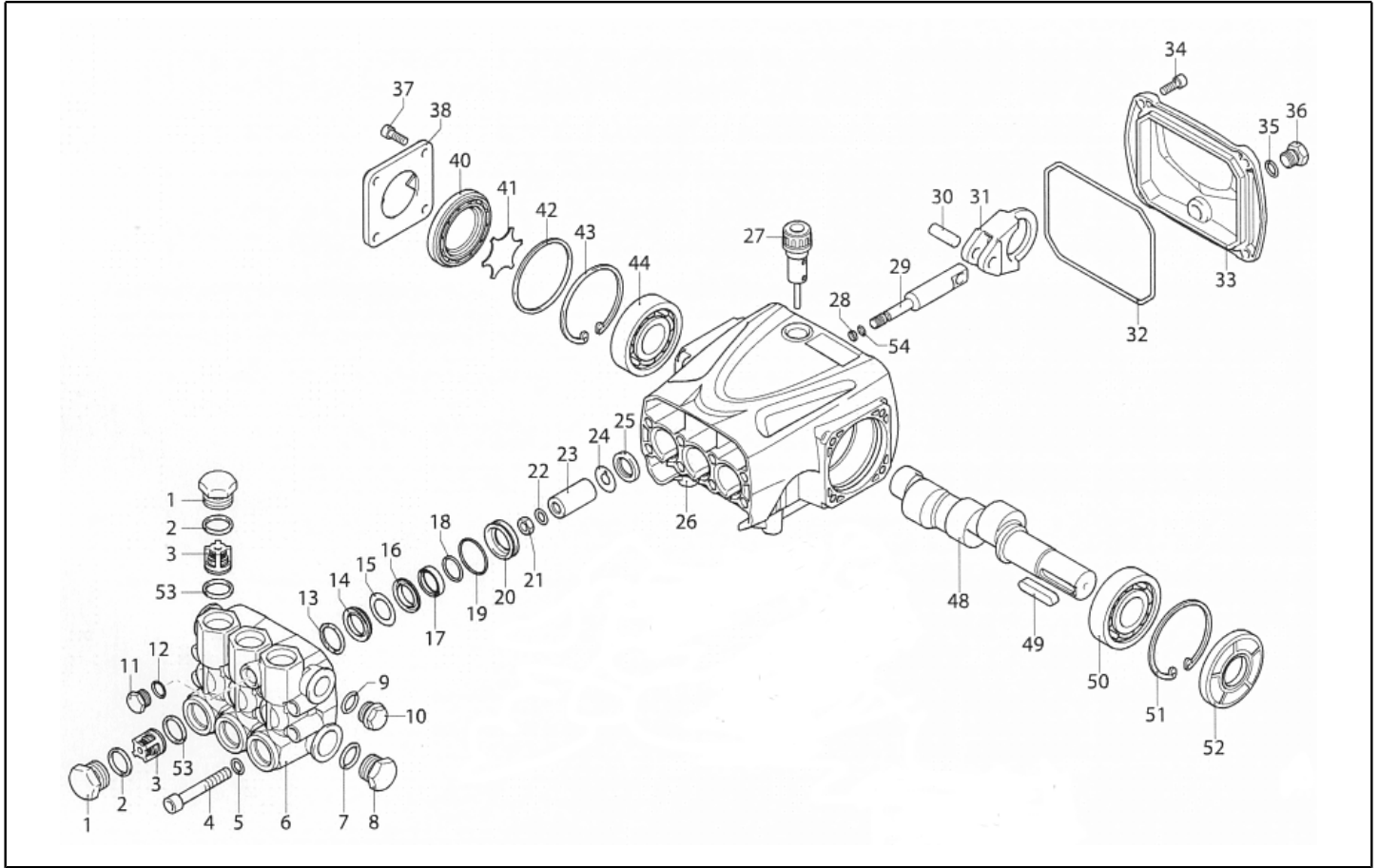
Ref. K	Part n.	Customer part n.	Description	Quantity	Validity		Price
					From	To	
0001	LAFN40426		FRAME MURALE M.L.C	1,00			--
0002	FTAC40010		WATER FILTER 3/4 MM 100MS ARG	1,00			--
0003	RCVR29600	00029600	SOCKET PTC 3/4 F	1,00			--
0004	TBBP40041		L.P. HOSE L=500 3/4F 90° -LIB.	1,00			--
0005	FSVR00431	00000431	CLAMP D. 16-25	1,00			--
0006	ABGO13580	00013580	VIBRATION DAMP. 30X20- 2M8X23 -60+5SH	4,00		31/03/2015	--
0006	ABGO93800		VIBRATION DAMP. CL.30X25- 2M8X30-60SH NBR	4,00	01/04/2015		--
0007	LAFN40430		ANT. PANEL MURALE M.L.C	1,00			--
0008	LAFN40431		LAT. PANEL MURALE M.L.C	1,00			--
0009	LAFN40432		LAT. PANEL MURALE M.L.C SX	1,00			--
0010	LAFN40433		PANEL SUP. MODULO MUR.ML.C	1,00			--
0011	MPVR06292	00006292		4,00			--
0012	LAFN40447		PLATE FISS. Q.EL. x MUR.ML.C	1,00			--
0013	GUGO10881	00010881	GASKET M.EL. 73X73	1,00			--
0013	GUGO10881	00010881	GASKET M.EL. 73X73	2,00			--
0014	MOTR40027		3PH MOTOR NRJ HP7.5 23-400/50C RR/K	1,00			--
0015	MFVR21309	00021309	COUNTERFLANGE MEC 90-100-112	1,00			--
0016	RCDS25578	00025578	BUSHING IP WW141 OT.	1,00			--
0017	GUGO21337	00021337	O-RING D. 25.07 X 2.62 VIT 70SH	1,00			--
0018	GUGO21339	00021339	O-RING D. 29.82 X 2.62 VIT 70SH	1,00			--
0019	PPAP40058		PUMP RR 15.20 DX N	1,00			--
0020	VVAZ40017		VALVE MV 625 AR-R AF S/I.RG.	1,00		20/01/2013	--
0020	VVAZ40031		VALVE VRF-2 AR-R AF S/I.	1,00	21/01/2013		--
0021	RCDS40103		SCREW G 1/2 L=50 INX	1,00			--
0022	GUGO02259	00002259	O-RING D. 15.54 X 2.62 NBR 70SH	1,00			--
0023	VTRS12491	00012491	WASHER 1/2	1,00		28/02/2014	--
0023	VTRS40023		WASHER D.21.5X27 X1.5 AL.	1,00	01/03/2014		--
0024	RCDS40104		SCREW G 3/8 L=50 INX	1,00			--
0025	GUGO03510	00003510	O-RING D. 12.37 X 2.62 NBR 70SH	1,00			--
0026	VTRS12492	00012492	WASHER 3/8	1,00		28/02/2014	--
0026	VTRS40022		WASHER D.17 X23 X1.5 AL.	1,00	01/03/2014		--
0028	RCVR00575	00000575	ELBOW 1/2" M/F A10	1,00			--
0029	RCVR40039		HOSE FITTING 1/2 M D.12-16 NIK	1,00			--
0030	RCVR72850		CONNECTOR A T 3/8M-3/8M-1/4F-OT	1,00			--
0031	RCDS40105		LOCKNUT G 3/8 ES.19 SP.4 OT	1,00			--
0032	LAFN40434		BRACKET VALV.AZZERAM. M.L.C. INOX	1,00			--
0033	RCDS72894	00072894	CONNECTOR M22x1,5-3/8"	1,00			--
0034	TBAP25324	00025324	H.P. HOSE R1 MT 10 5/16" C/2 IRV ZC	1,00			--
0035	IPIP40006		GRIP G 5100+AT.RAP.AR3-K +SW.M	1,00		14/04/2016	--
0035	IPIP40014		GRIP G 6000+AT.RAP.AR4-K +SW.M	1,00	15/04/2016		--
0036	LCLC40004		LANCE SF-IX/PU 700 +AR3-K +1/4F	1,00			--
0037	UGLN49987	00049987	NOZZLE LECH 1/4 15045	1,00			--
0039	VTVR40018		PIN NDX.Q-30x1,5-M8	1,00			--
0040	VTVR40043		FOOT D.40 M8X40 SND.	4,00			--



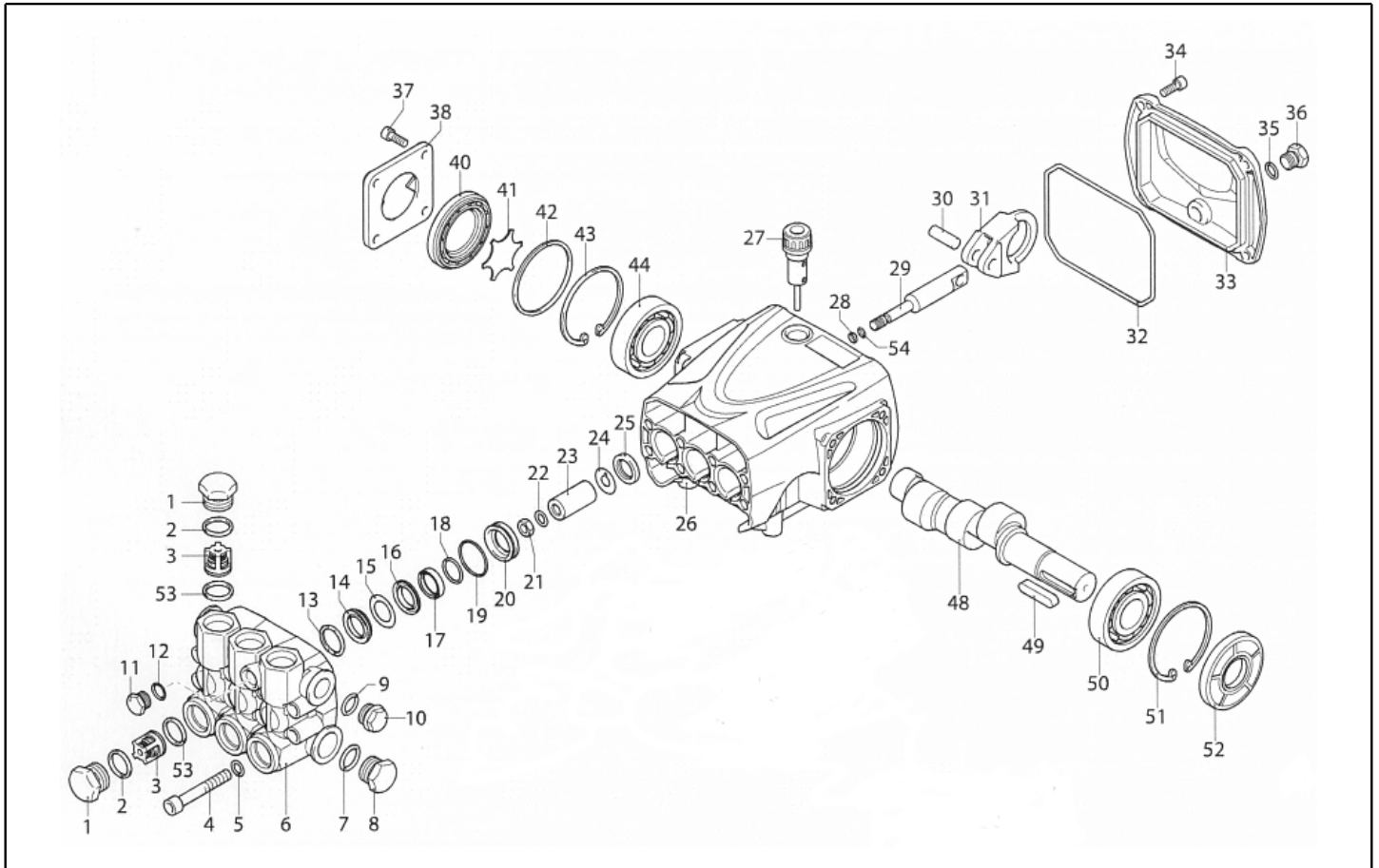
Ref. K	Part n.	Customer part n.	Description	Quantity	Validity		Price
					From	To	
0041	MPVR40334		CONTROL BOX PW-C4/50 ABS BK.	1,00			--
0042	LAFN40458		SUPPORT PW-C40 INX	1,00			--
0043	GUGO33675	00033675	JOINT MOUSSE D. 4	0,90			--
0044	MPVR40409		BOX COVER PW-C40/MLC ABS BK.	1,00			--
0045	MEVR71576	00071576	BOX WMX	1,00			--
0046	PVVR40175		CAP AR RR C/F. 1/8F+OR	1,00			--
0047	PVVR40273		ADAPTER VRF-2 RG.	1,00	21/01/2013		--



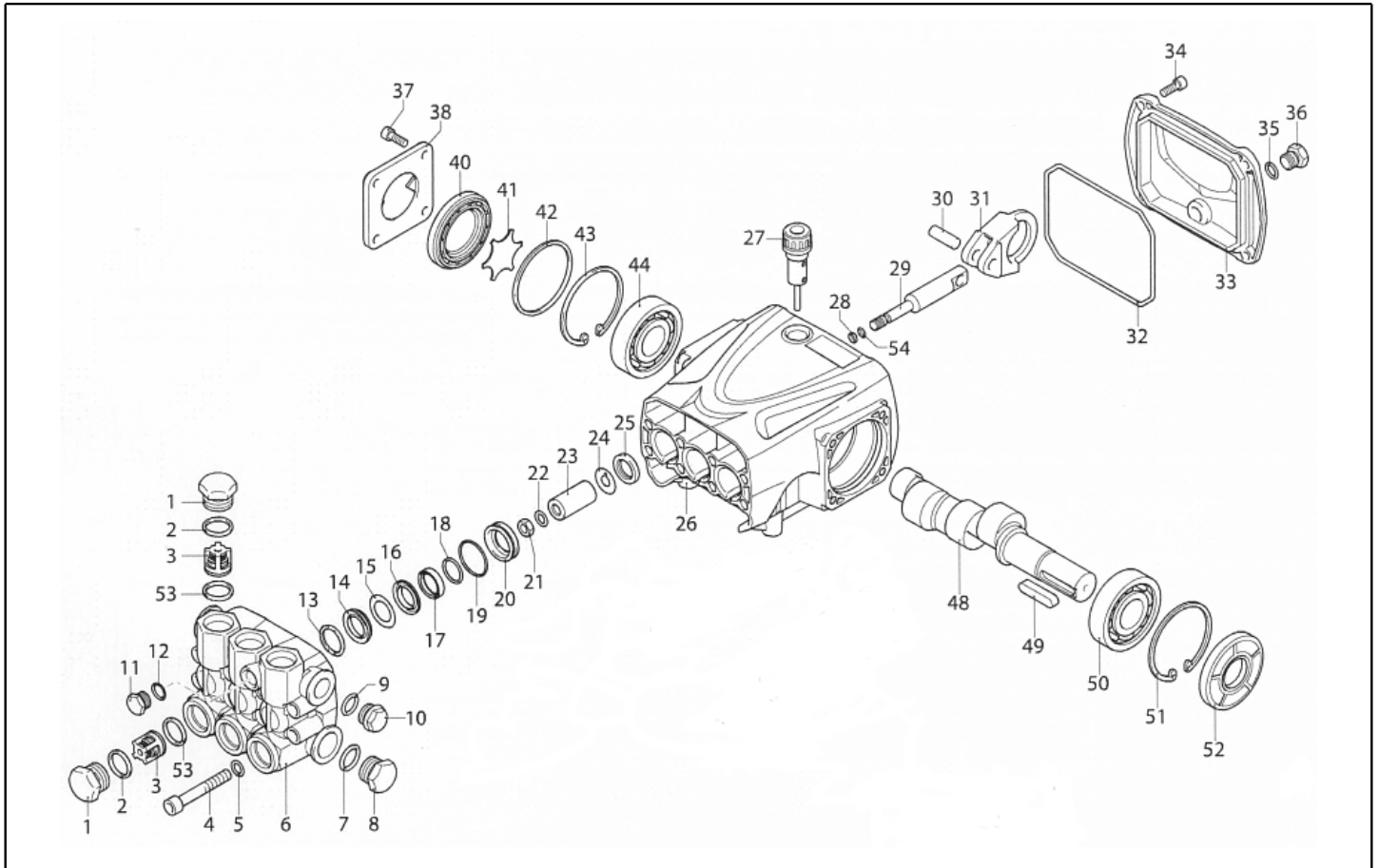
Ref. K	Part n.	Customer part n.	Description	Quantity	Validity		Price
					From	To	
K	METT40020		CONTACTOR SIE 3RT 2025-1AL20 230V	1,00	01/12/2014		--
K	METT48488	00048488	CONTACTOR SIE 3RT 1025 1AL20 230V	1,00		30/11/2014	--
IG	MECI71647	00071647	SWITCH WMX MS 25 20-25 A	1,00			--
P1	MEPF39741	00039741	PRESSURE SWITCH MTM 1/8M NA/NC 25B. MICRO	1,00			--
P2	MEPF39902	00039902	PRESSURE SWITCH MTM 1/4M NA/NC 25B. MICRO	1,00			--
TM	METY37440	00037440	TIMER THV/1S 150-250V 30S.5/60	1,00		31/08/2015	--
TM	METY40002		TIMER THV/1 220-5/60 30S. 2P	1,00	01/09/2015		--
CV1	MECB40178		CABLE H07 RNF 4X2.5 L=6.500	1,00			--



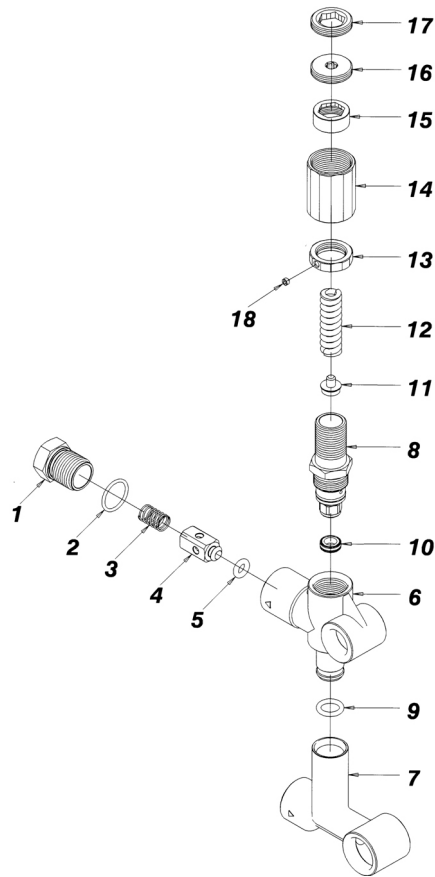
Ref. K	Part n.	Customer part n.	Description	Quantity	Validity		Price
					From	To	
0001	PVVR40161		CAP AR RR	6,00			--
0002	GUGO03502	00003502	O-RING D. 17.86 X 2.62 NBR 70SH	6,00			--
0003	S VVAM40003		VALVE UNIT RR	6,00			--
0004	VTVT63018		SCREW TCEI M 8X55 ZC U.5931	8,00			--
0005	VTRS14242	00014242	WASHER D. 8.4X13X0.8 UNI7064 SCH	8,00			--
0006	MFVR40028		HEAD AR RR OT.	1,00			--
0007	GUGO19245	00019245	O-RING D. 17.5 X 2 NBR 70SH	1,00			--
0008	PVVR40121		CAP 1/2 M RC	1,00			--
0009	GUGO09720	00009720	O-RING D. 14 X 1.78 NBR 70SH	1,00			--
0010	PVVR40099		CAP 3/8 M HRM	1,00			--
0011	PVVR40129		CAP 1/4 M RC	1,00			--
0012	GUGO01036	00001036	O-RING D. 10.82 X 1.78 NBR 70SH	1,00			--
0013	S PVVR40122		HEAD RING D. 18 RC	3,00			--
0014	S GUVR40035		PACKING D. 18 RC H.P.	3,00			--
0015	S GUVR40043		ANTI-EXTR.RING D.18X28	3,00			--
0016	S PVVR40162		INTERMED. RING D. 18 RR	3,00			--
0017	S GUVR40036		PACKING D. 18 RC L.P.	3,00			--
0018	S GUVR40037		ANTI-EXTR.RING D.21	3,00			--
0019	S GUGO19290	00019290	O-RING D. 23.52 X 1.78 NBR 70SH	3,00			--
0020	S PVVR40163		PACKING RETAIN. D. 18 RR	3,00			--
0021	VTDD00483	00000483	NUT M 8 ZIN UNI 5588	3,00			--
0022	VTRS19394	00019394	WASHER D. 8X13X0.5	3,00			--
0023	S PIVR40007		PISTON D.18 RR	3,00			--
0024	PVVR19233	00019233	DISC XTS	3,00			--
0025	S GUGO09690	00009690	OIL SEAL 15X 24X 5 NBR70	3,00			--
0026	MFVR40030		PUMP CRANKCASE AR RR	1,00			--
0027	PVVR19231	00019231	OIL CAP XTS	1,00			--
0028	GUGO08071	00008071	O-RING D. 4.48 X 1.78 NBR 70SH	3,00			--
0029	PVVR40176		PISTON GUIDE RR	3,00			--
0030	PVVR40178		GUDGEON D. 9 RR	3,00			--
0031	BLVR40002		CONNECTING ROD RR	3,00			--
0032	GUGO40017		O-RING D. 107.62 X 2.62 NBR 70SH	1,00			--
0033	MFVR40029		CRANKCASE COVER AR RR	1,00			--
0034	VTVT09913	00009913	SCREW TCEI 6X16 UNI5931	4,00			--
0035	GUGO01036	00001036	O-RING D. 10.82 X 1.78 NBR 70SH	1,00			--
0036	PVVR40129		CAP 1/4 M RC	1,00			--
0037	VTVT09913	00009913	SCREW TCEI 6X16 UNI5931	4,00			--
0038	MFVR40021		CRANKCASE COVER AR RC LT.	1,00			--
0040	PVVR40179		OIL INDICATOR RR	1,00			--
0041	PVVR40125		DISC RC	1,00			--
0042	GUGO09030	00009030	O-RING 56X82 X2.62 - NBR	1,00			--
0043	VTAE10405	00010405	CIRCLIP D. 62 UNI 7437	1,00			--
0044	CUVR09654	00009654	BALL BEARING 6305	1,00			--
0048	ALMO40012		SHAFT AR RR 15LT VRS. N	1,00			--



Ref. K	Part n.	Customer part n.	Description	Quantity	Validity		Price
					From	To	
0049	VTVR41531	00041531	KEY 8X 7X35 UNI 6604A	1,00			--
0050	CUVR09654	00009654	BALL BEARING 6305	1,00			--
0051	VTAE10405	00010405	CIRCLIP D. 62 UNI 7437	1,00			--
0052	S GUGO40018		OIL SEAL 25X 62X 8 NBR70	1,00			--
0053	S GUGO02259	00002259	O-RING D. 15.54 X 2.62 NBR 70SH	6,00			--
0054	GUVR40044		ANTI-EXTR.RING D. 5 X 8 X1	3,00			--

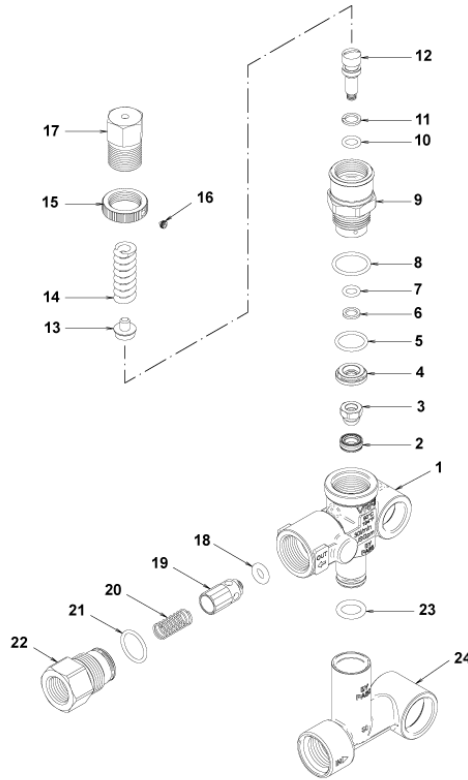


Ref. Part n.	Cust. part n.	Description	Reference	Price
KTRI40142		KIT P 15-42909 RR	0003 0053	--
KTRI40143		KIT P 15-42904 D.18 RR	0023	--
KTRI40144		KIT P 15-42922 RR	0025 0052	--
KTRI40145		KIT P 15-42924 D.18 RR	0014 0015 0017 0018 0019	--
KTRI40095		KIT P 15-42903 D.18 RC	0013	--
KTRI40146		KIT P 15-42923 D.18 RR	0016 0020	--

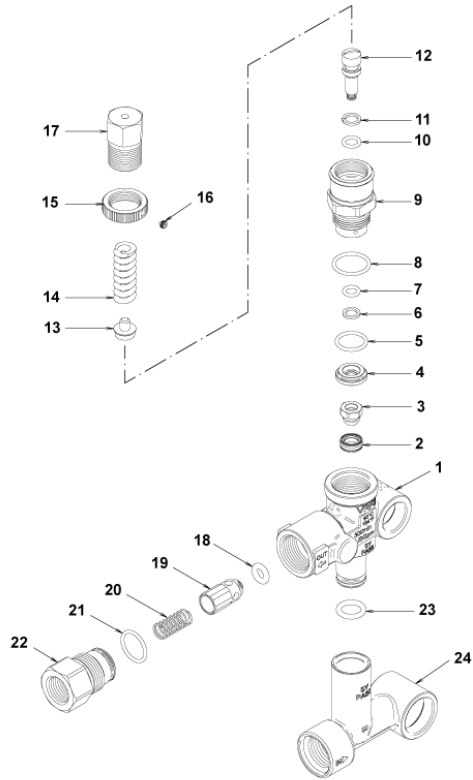


Ref. K	Part n.	Customer part n.	Description	Quantity	Validity		Price
					From	To	
0001	PVVR47977	00047977	CONNECTOR MV625 G 3/8F	1,00			--
0002	GUGO01058	00001058	O-RING D. 17.17 X 1.78 NBR 70SH	1,00			--
0003	MLML47978	00047978	SPRING MV 625	1,00			--
0004	PVVR47979	00047979	PIN MV 625	1,00			--
0005	GUGO46053	00046053	O-RING D. 6 X 3 NBR 90SH	1,00			--
0006	PVVR47980	00047980	VALVE BODY MV 625	1,00			--
0007	PVVR40271		CONNECTOR MV 625-RR	1,00			--
0008	PVVR47988	00047988	CONNECTOR MV 625 REG.	1,00			--
0009	GUGO11225	00011225	O-RING D. 10.78 X 2.62 NBR 70SH	1,00			--
0010	PVVR47985	00047985	VALVE SEAT MV 625 + O-RING	1,00			--
0011	PVVR47986	00047986	SPRING PLATE MV 625	1,00			--
0012	MLML47987	00047987	SPRING D. 3.25X41.1 MV 625	1,00			--
0013	PVVR47984	00047984	RING NUT MV 625	1,00			--
0014	PVVR47989	00047989	CAP MV 625 REG.	1,00			--
0015	PVVR47990	00047990	RING NUT MV 625 REG.	1,00			--
0016	PVVR47991	00047991	REGISTER MV 625 REG.	1,00			--
0017	PVVR47992	00047992	CLAMP MV 625 REG.	1,00			--
0018	VTVT24918	00024918	SCREW EI-ST 4X 4 UNI5927	1,00			--
9999	RCDS40134		SCREW 1/4 MV165 84 OT	1,00			--
9999	RCDS40135		SCREW 3/8 MV165 71 OT	1,00			--

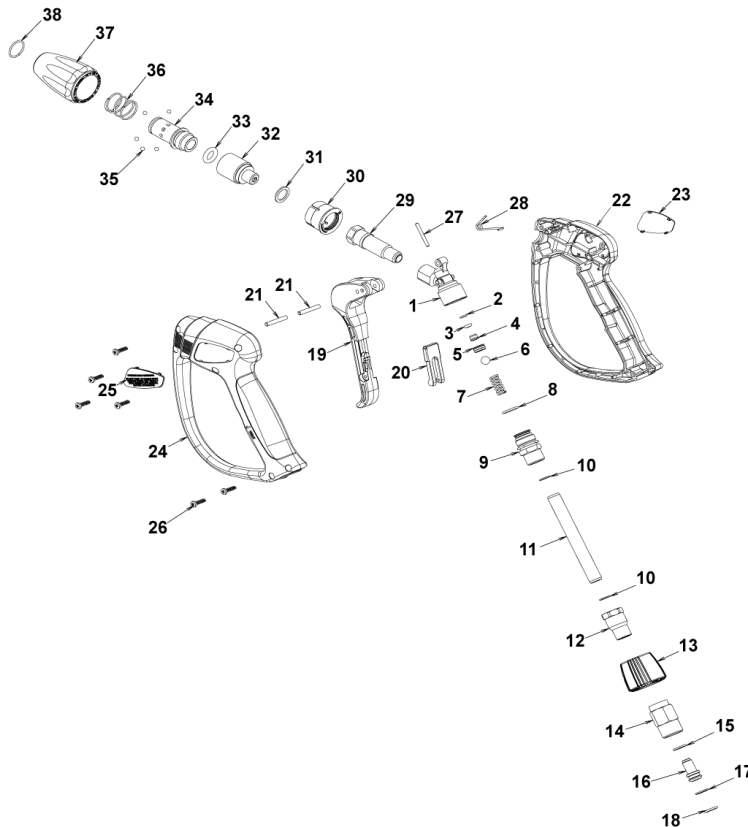




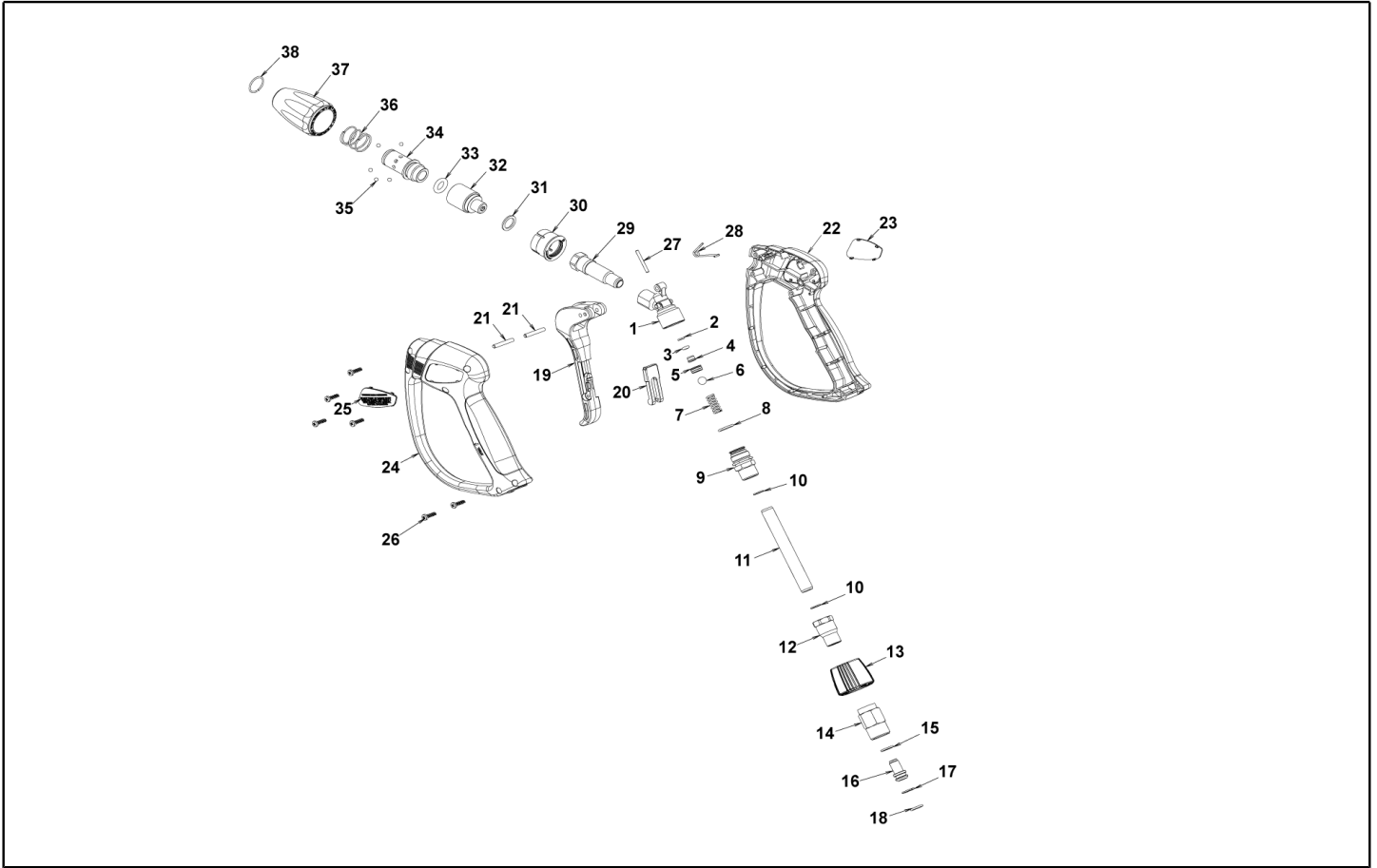
Ref. K	Part n.	Customer part n.	Description	Quantity	Validity		Price
					From	To	
0001	PVVR40362		VALVE BODY VRF2	1,00			--
0002	S PVVR40363		VALVE SEAT MV124 +OR	1,00			--
0003	S PVVR40364		COUPLING MV124	1,00			--
0004	S PVVR40365		SPACER MV124	1,00			--
0005	S GUGO12322	00012322	O-RING D. 14 X 1.78 NBR 90SH	1,00			--
0006	S GUVR40072		ANTI-EXTR.RING D. 6.5X 9.4	1,00			--
0007	S GUGO83861		O-RING D. 6.07 X 1.78 NBR 90SH	1,00			--
0008	S GUGO24913	00024913	O-RING D. 17.17 X 1.78 NBR 90SH	1,00			--
0009	S PVVR40366		CONNECTOR VRF2 D.10	1,00			--
0010	S GUGO03500	00003500	O-RING D. 6.75 X 1.78 NBR 70SH	1,00			--
0011	S GUVR40073		ANTI-EXTR.RING D. 7.1X10 X1.2 TBT	1,00			--
0012	S PVVR40367		SMALL PISTON D.10 VRF2	1,00			--
0013	PVVR40368		SPRING PLATE MV124 25B	1,00			--
0014	MLML40027		SPRING D. 3.0/6.0 X38.85	1,00			--
0015	PVVR40369		RING NUT MV167.09	1,00			--
0016	VTVT89696		SCREW EI-ST 4X 4 UNI5927 ZC	1,00			--
0017	PVVR40370		CAP VRF2 M18X1	1,00			--
0018	S GUGO46053	00046053	O-RING D. 6 X 3 NBR 90SH	1,00			--
0019	S PVVR40349		COUPLING VRT3	1,00			--
0020	S MLML40026		SPRING VRT3	1,00			--
0021	S GUGO12321	00012321	O-RING D. 15.6 X 1.78 NBR 90SH	1,00			--
0022	PVVR40350		CONNECTOR VRT3 G 3/8F	1,00			--
0023	S GUGO11225	00011225	O-RING D. 10.78 X 2.62 NBR 70SH	1,00			--
0024	PVVR40373		CONNECTOR VRF2.24	1,00			--



Ref. Part n.	Cust. part n.	Description	Reference	Price
KTRI40236		KIT P 14-103 VRF2	0002 0003 0004 0005 0006 0007 0008 0009 0010 0011 0012 0018 0019 0020 0021	--
KTRI40237		KIT P 14-104 SEAL VRF2	0002 0003 0005 0006 0007 0008 0010 0011 0018 0021	--



Ref. K	Part n.	Customer part n.	Description	Quantity	Validity		Price
					From	To	
0001	PVVR40381		GUN BODY G 5100 G1/4F	1,00			--
0002	S	GUVR40074	ANTI-EXTR.RING D. 3 X 7.4X1.3	1,00			--
0003	S	GUGO21835	00021835	O-RING D. 2.84 X 2.62 VIT. 80SH	1,00		--
0004	PVVR40382		PISTON GUIDE G 5100	1,00			--
0005	S	PVVR40112	BALL SEAT G 5000	1,00			--
0006	S	SFVR40002	BALL D.11/32" ALL GR16	1,00			--
0007	MLML40016		SPRING D. 9.4 x21.5x1.6 G5000	1,00			--
0008	GUGO12322	00012322	O-RING D. 14 X 1.78 NBR 90SH	1,00			--
0009	PVVR40383		CONNECTOR COLL.G5100 1/4F	1,00			--
0010	VTRS40017		WASHER D. 8.2X11,4X1.00	2,00			--
0011	PVVR40384		TUBE G 1/4" L.105	1,00			--
0012	RCIN40022		CONNECTOR SWIV G5100 1/4F	1,00			--
0013	MPVR40819		RING NUT G 5100 SW. BK.	1,00			--
0014	RCIN40021		JOINT SWIV 5100 M22	1,00			--
0015	S	GUVR40075	ANTI-EXTR.RING D. 10 X14X1.5	1,00			--
0016	PVVR40386		SCREW SW. G 5100	1,00			--
0017	S	GUVR40076	ANTI-EXTR.RING D. 11.2X14X1.2	1,00			--
0018	S	GUGO15295	00015295	O-RING D. 10.82 X 1.78 VIT 80SH	1,00		--
0019	MPVR40820		TRIGGER G 6000-SW	1,00			--
0020	MPVR40821		SAFETY-DEVICE G 6000-SW	1,00			--
0021	VTVR40047		PLUG D. 4X29	2,00			--
0022	MPVR40822		SHELL G 6000-SW DX	1,00			--
0023	MPVR40823		PLATE G 6000 GR.DX	1,00			--
0024	MPVR40824		SHELL G 6000-SW SX	1,00			--
0025	MPVR40825		PLATE G 6000 GR.SX	1,00			--
0026	VTVT40043		SCREW AF 4X 14 HILO ZN.N	6,00			--
0027	PVVR40387		SMALL PISTON G 5100	1,00			--
0028	MLML40029		SPRING G 5100	1,00			--
0029	PVVR40521		CONNECTOR AL55 G1/4F	1,00			--
0030	MPVR40856		PROTECTION AR 4	1,00			--
0031	VTRS48089	00048089	WASHER D.13,5X18 X1,5 RM.	1,00			--
0032	PVVR40522		CONNECTOR AR 4 G1/4 M OT	1,00			--
0033	GUGO40079		O-RING D. 11 X 4 VIT 75SH	1,00			--
0034	PVVR40523		JOINT BODY AR 4 OT	1,00			--
0035	SFVR40003		BALL D.5/32" AISI 420C I.3290	8,00			--
0036	MLML40043		SPRING D. 23 X24.0 D.1.4 IX	1,00			--
0037	PVVR40524		KNOB AR 4 INS.OT	1,00			--
0038	VTAE40010		CIRCLIP D.18 -D.1.5 AR 4	1,00			--



Ref. Part n.	Cust. part n.	Description	Reference	Price
KTRI40243		KIT P 26- 26 SWIVEL G 5100	0015 0017 0018	--
KTRI40414		KIT P 26- 34 G 6000	0002 0003 0005 0006	--