



IPC

Spare parts list

Ref: ASDO13656

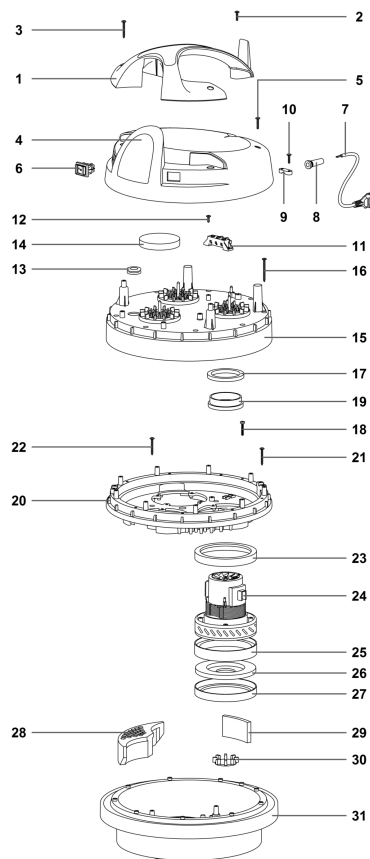
Model: VACUUM GS3/78OPT CYC TPR 433 OPT



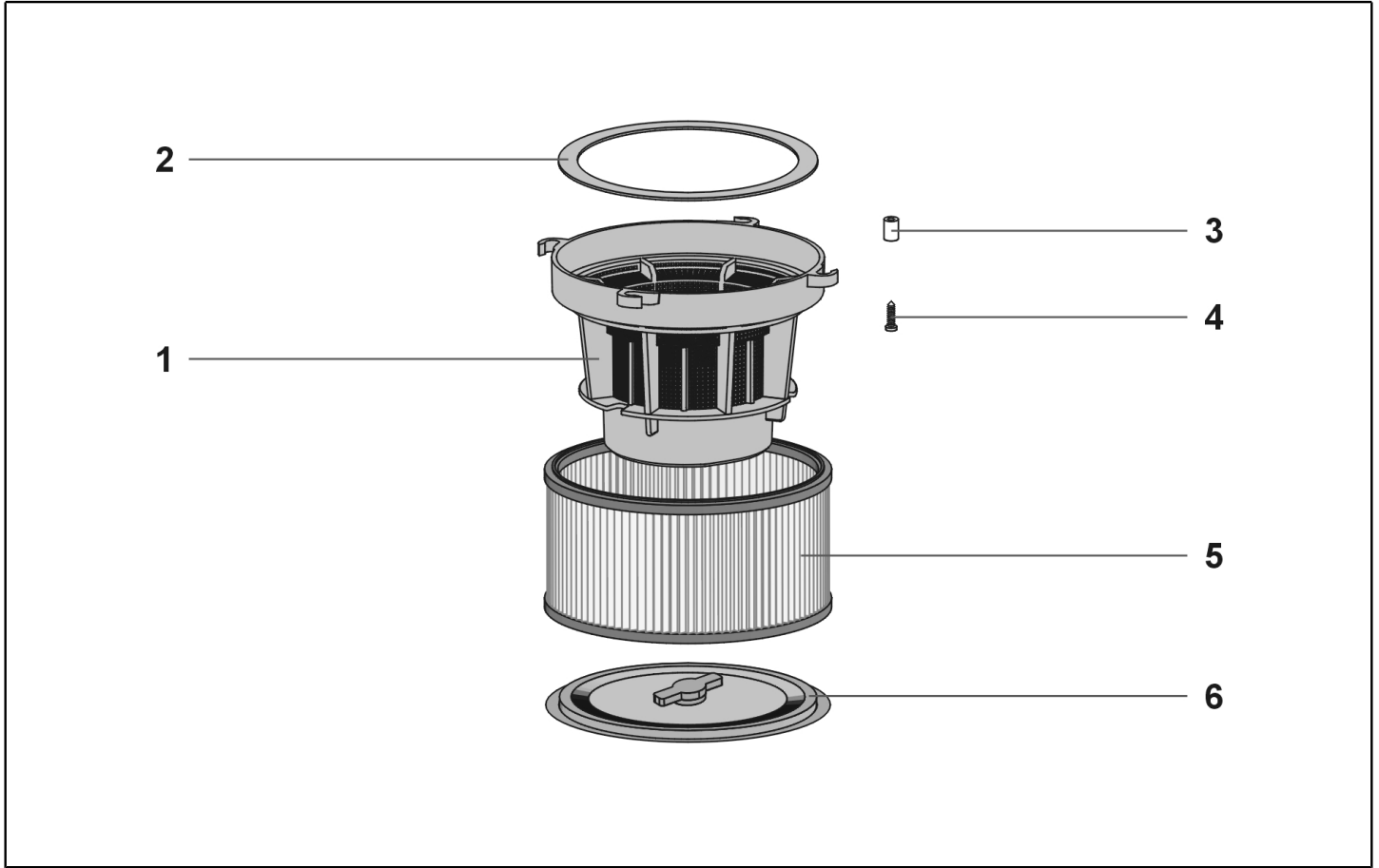
IPC Integrated Professional Cleaning

IPC Soteco

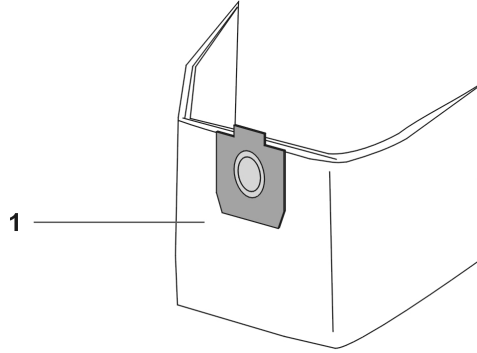
Ref. K	Part n.	Part n. 2	Description	Quantity	Validity		Price
					From	To	
0001	PMTA09060		HEAD TOPPER 433 C/P G5/NE	1,00			--
0002	KTRI05273		FILTERING KIT C/CART.HEPA ALT.=125 H14	1,00			--
0003	FTDP00462		MICROFIBER FILTER BAG 338-SC-TEX	1,00			--
0004	PMFU02611		TANK DEC.400 G/F S/F COMP ICS	1,00			--
0005	PMVR06069		CYCLONE 400 COMP.	1,00			--
0006	PMFU02649		TANK 400 B.CICL.A430 OPT COMP	1,00			--
0007	CARR01819		TROLLEY OPTIM 600 BASIC SMALL	1,00			--
0008	TBFX01270		FLEXIBLE HOSE D.50/60 5M COND.S/MAN ACC	1,00			--



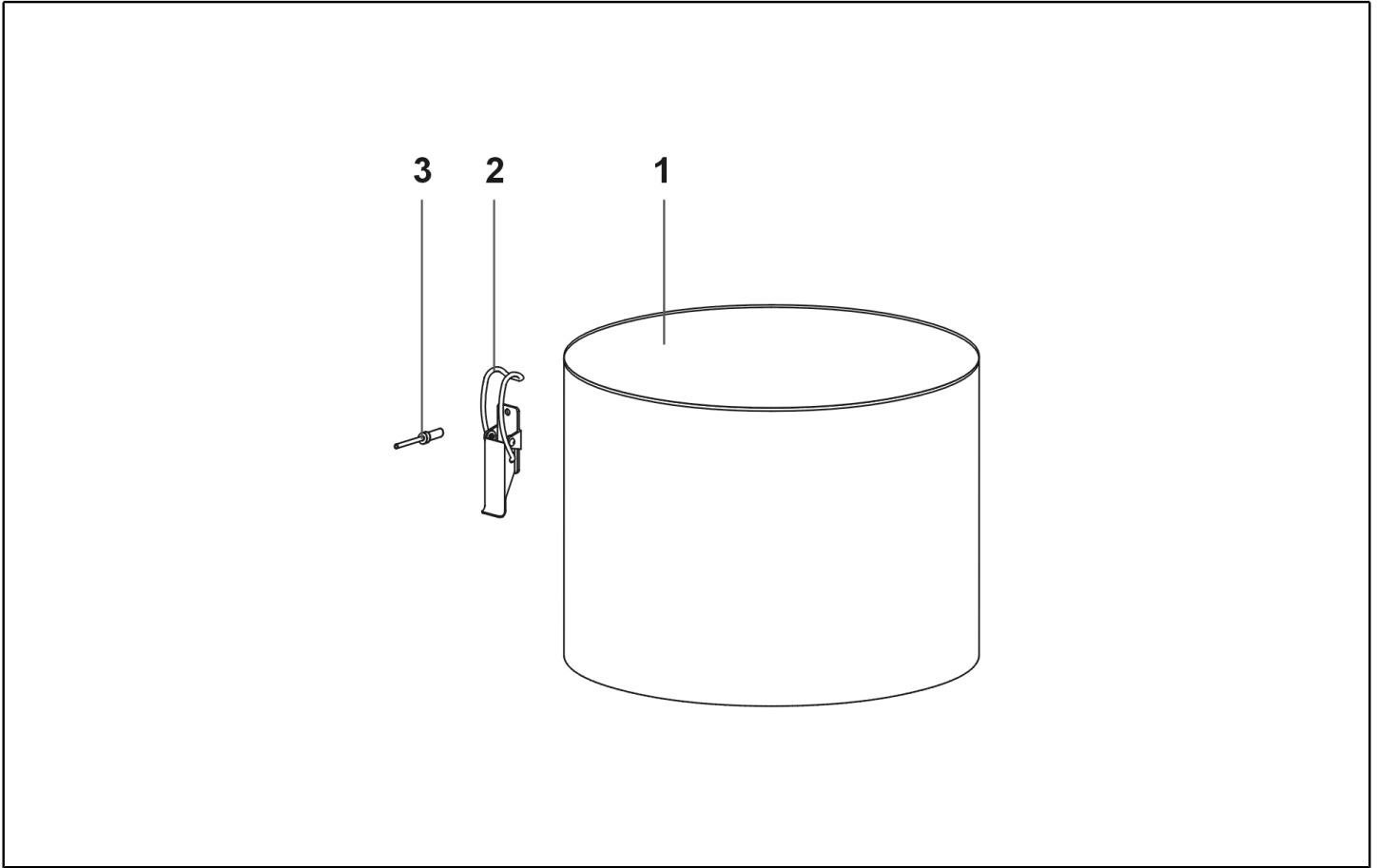
Ref. K	Part n.	Part n. 2	Description	Quantity	Validity		Price
					From	To	
*	MECB01818		WIRING 50CM MOTOR-TP 1200	3,00			--
*	FSVR00127		CLAMP	4,00			--
*	MECB35712		WIRE WITH RESISTANCE	1,00			--
0001	MPVR08302		HANDLE TOPPER 600 G5000	1,00			--
0002	VTVT71961		SCREW PFU TMT PHL 5X20 ZN NERA	1,00			--
0003	VTVT72106		SCREW PAT TMT PHL 5X40 BLACK	2,00			--
0004	PMVR06241		COVER TOPPER 600 NE 3INT	1,00			--
0005	VTVT72055		SCREW PFU TMT PHL 5X25 ZN BLACK	2,00			--
0006	MECI28744		ANTISPLASH RED LIGHT SWITCHER	3,00			--
0007	MECB31445		ELECTRIC CORD 2X1,5 MT.8,5	1,00			--
0008	MEVR28673		FAIRLEAD	1,00			--
0009	MPVR28690		CABLE CLAMP	1,00			--
0010	VTVT71961		SCREW PFU TMT PHL 5X20 ZN NERA	1,00			--
0011	MEVR02008		TERM.BOARD 400-600 3MOT.RAD	1,00			--
0012	VTVT71960		SCREW PAT TMT PHL 5X14 ZN BLACK	2,00			--
0013	MEVR72017		GUIDING SLIT FOR QUICK COUPLING	1,00			--
0014	FTDP38064		FILTER MTP/65 H=15 D.95	3,00			--
0015	MPVR08511		GREY COVER 600 5000	1,00			--
0016	VTVT40007		SCREW PAT TMT PHL 5X55 BLACK	9,00			--
0017	MPVR38371		WASHER H8 D85X65	3,00			--
0018	VTVT01181		SCREW TC CROSS M 5X30 UNI 7687	1,00			--
0019	MPVR86282		RING MOTORE H=7 (15) PLAST.	3,00			--
0020	MPVR89502		MOTOR-FASTENER NEV.600 BLACK	1,00			--
0021	VTVT72106		SCREW PAT TMT PHL 5X40 BLACK	9,00			--
0022	VTVT72106		SCREW PAT TMT PHL 5X40 BLACK	3,00			--
0023	GUGO28683		"L" GASKET W/O HOLES H=5,5	3,00			--
0024	MOMO40006		MOT.BS282 1200W 220-240 50/60 MONO	3,00			--
0025	GUVR00397		"L" GASKET S/F H=16	3,00			--
0026	MPVR89143		OUTDISTANCED SINGLE-STAGE H=13MM	3,00			--
0027	GUGO28683		"L" GASKET W/O HOLES H=5,5	3,00			--
0028	FTDP38057		ANTINOISE TRIANGLE H=51	3,00			--
0029	FTDP28745		GASKET MTP/30 AU-AD 50X10X85	3,00			--
0030	MPVR28748		AUTOMATIC VALVE	3,00			--
0031	MPVR38059		BASE 600/400 W/STAT.PLATE BLACK	1,00			--



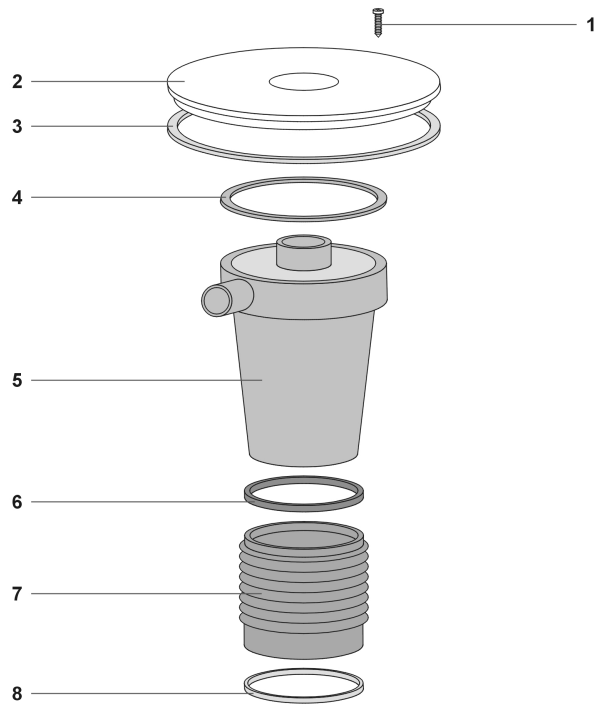
Ref. K	Part n.	Part n. 2	Description	Quantity	Validity		Price
					From	To	
0001	MPVR40590		NET ANTIFOAM BODY LOW	1,00			--
0002	GUVR40078		GASKET H3 DS50 W/ANTIFOAM BODY	1,00			--
0003	MPVR35796		PLASTIC SLEEVE D.8	4,00			--
0004	VTVT36751		SCREW PAT TMT PHL 5X25	4,00			--
0005	FTDP00553		CARTRIDGE HEPA ALT.=125 H14	1,00			--
0006	MPVR28723		COMPL.RING FOR FILTER	1,00			--



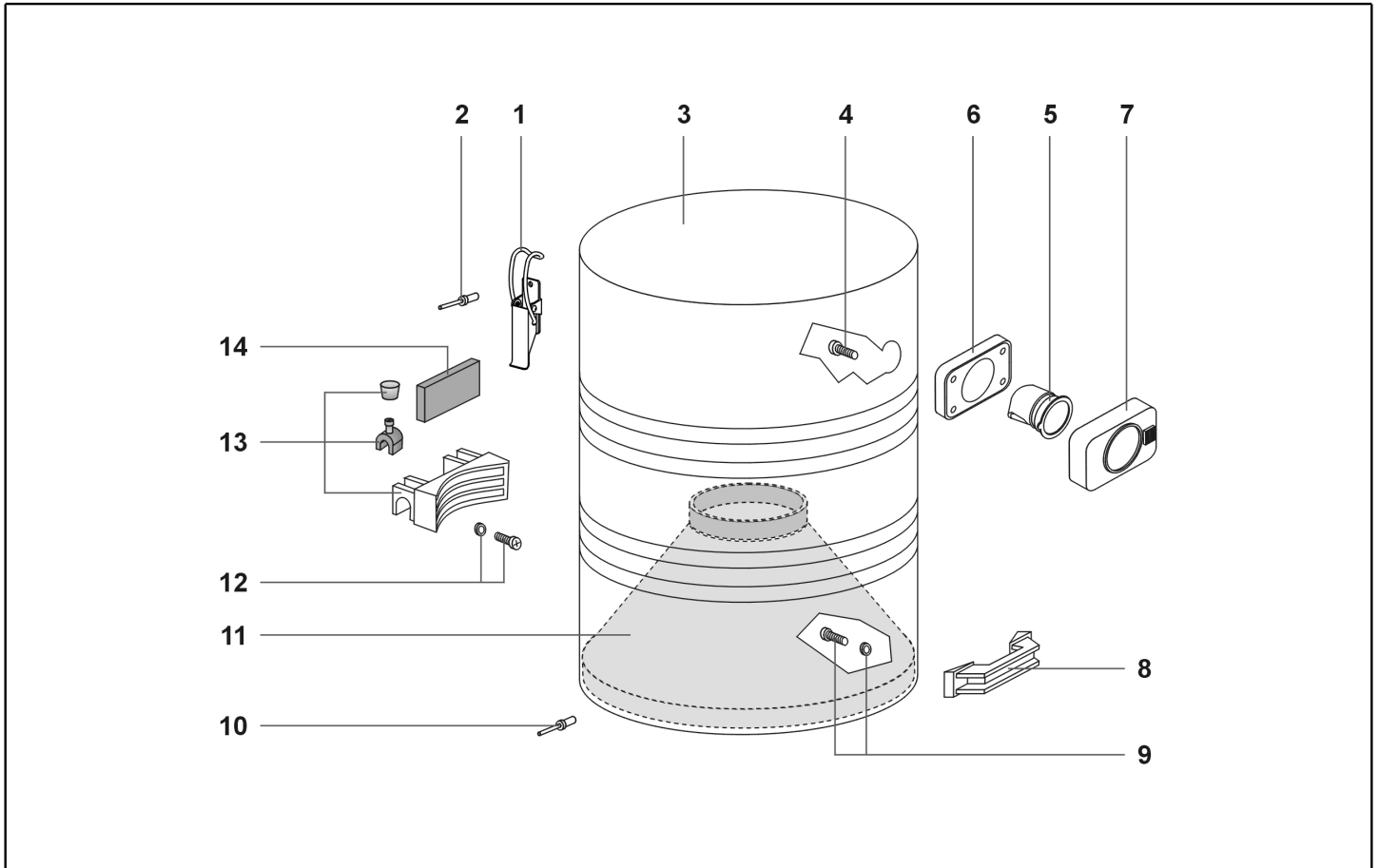
Ref. K	Part n.	Part n. 2	Description	Quantity	Validity		Price
					From	To	
0001	FTDP00462		MICROFIBER FILTER BAG 338-SC-TEX	1,00			--
0001	FTDP00462		MICROFIBER FILTER BAG 338-SC-TEX	1,00			--



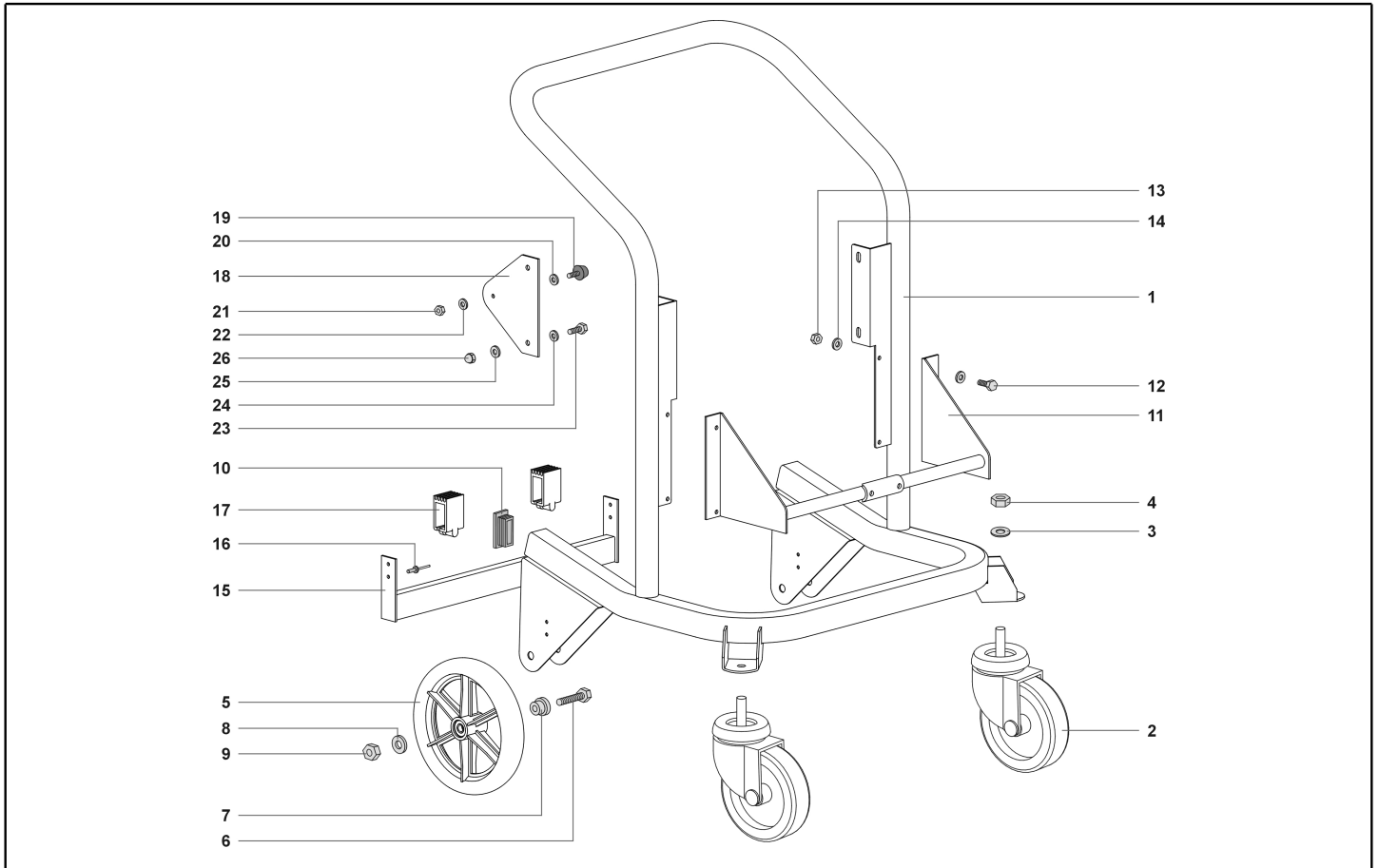
Ref. K	Part n.	Part n. 2	Description	Quantity	Validity		Price
					From	To	
0001	LAFN10862		TANK DEC.400 H=330 A430 S/F IC	1,00			--
0002	CHVR40000		UNIVERSAL METAL HOOK	2,00			--
0003	VTVR71991		RIVET 5X11	4,00			--



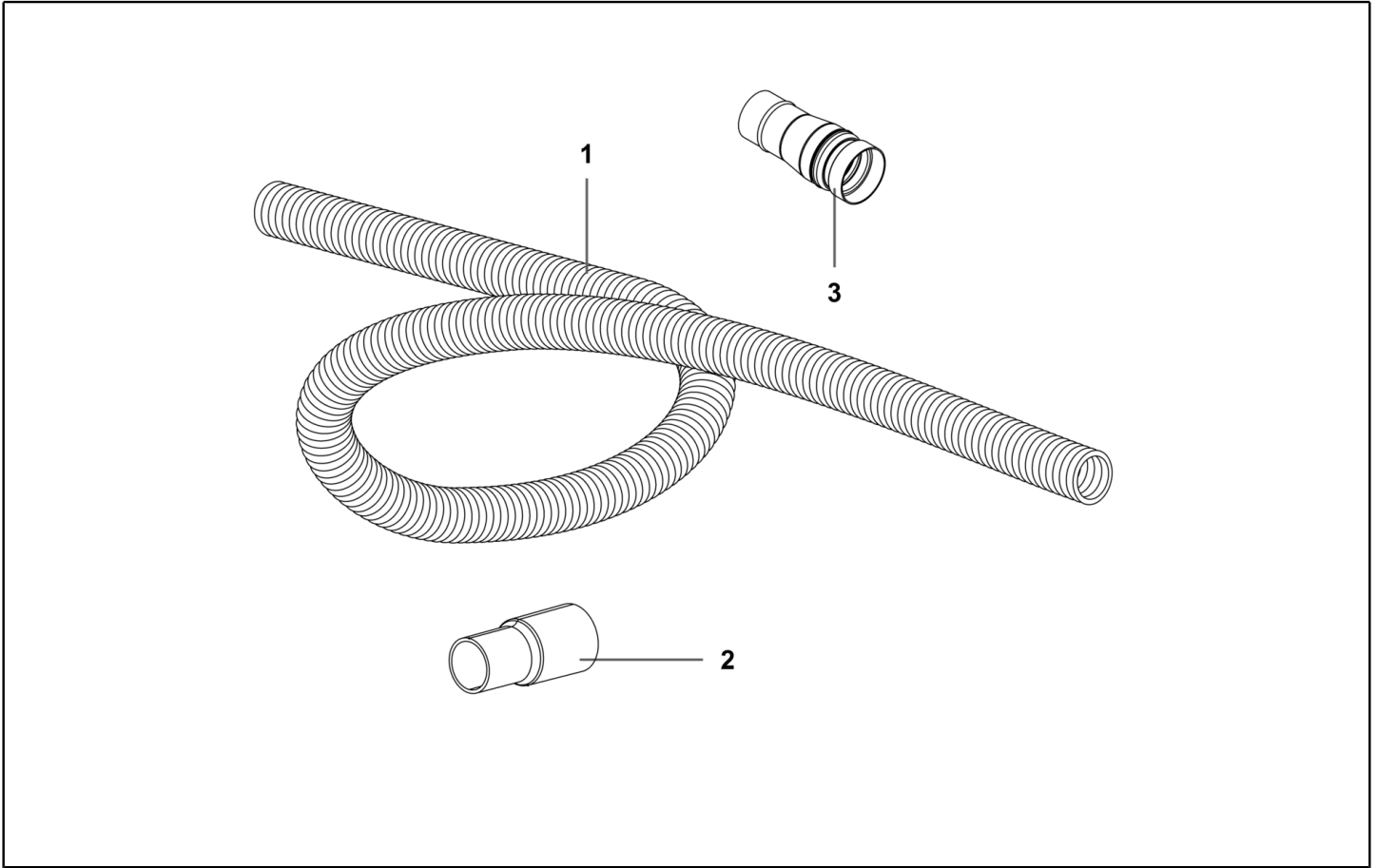
Ref. K	Part n.	Part n. 2	Description	Quantity	Validity		Price
					From	To	
0001	VTVT71960		SCREW PAT TMT PHL 5X14 ZN BLACK	4,00			--
0002	MPVR10450		SUPPORT CICLONE 400	1,00			--
0003	GUVR37740		GASKET MIR. D.600 L=1200	1,00			--
0004	GUVR40021		CONVEYOR GASKET 600 A	1,20			--
0005	MPVR10474		SLIDING BLOCK CICLONE W/CONE	1,00			--
0006	CNPR00407		ELASTIC D.75X15 H	1,00			--
0007	MPVR06690		PROTECTOR D.80	1,00			--
0008	FSVR72169		CLAMP 8M 78/98	1,00			--



Ref. K	Part n.	Part n. 2	Description	Quantity	Validity		Price
					From	To	
0001	CHVR40000		UNIVERSAL METAL HOOK	2,00			--
0002	VTVR71991		RIVET 5X11	4,00			--
0003	PMFU02652		TANK 400 BASC.H=685 SP07 A430	1,00	19/12/2016		--
0004	VTVT72055		SCREW PFU TMT PHL 5X25 ZN BLACK	4,00			--
0005	MPVR09191		BAFFLE 99/60 CONDUCTIVE	1,00			--
0006	MPVR08670		GASKET R 205 CONDUCTIVE	1,00			--
0007	MPVR11445		PIPE UNION 99/60 NE P/VEI A/G5 COND	1,00			--
0008	MPVR28737		BLACK HANDLE	1,00			--
0009	RIGE00015		COMPLETE SEAL W/SCREW L=25	2,00			--
0010	VTVR71991		RIVET 5X11	4,00			--
0011	MPVR10471		CONVEYOR 400 CICLONE	1,00			--
0012	RIGE00015		COMPLETE SEAL W/SCREW L=25	4,00			--
0013	MPVR06993		HINGE GROUP BASC COMP	1,00			--
0014	GUVR00559		GASKET 10X5x1 ADESIVA	1,00			--



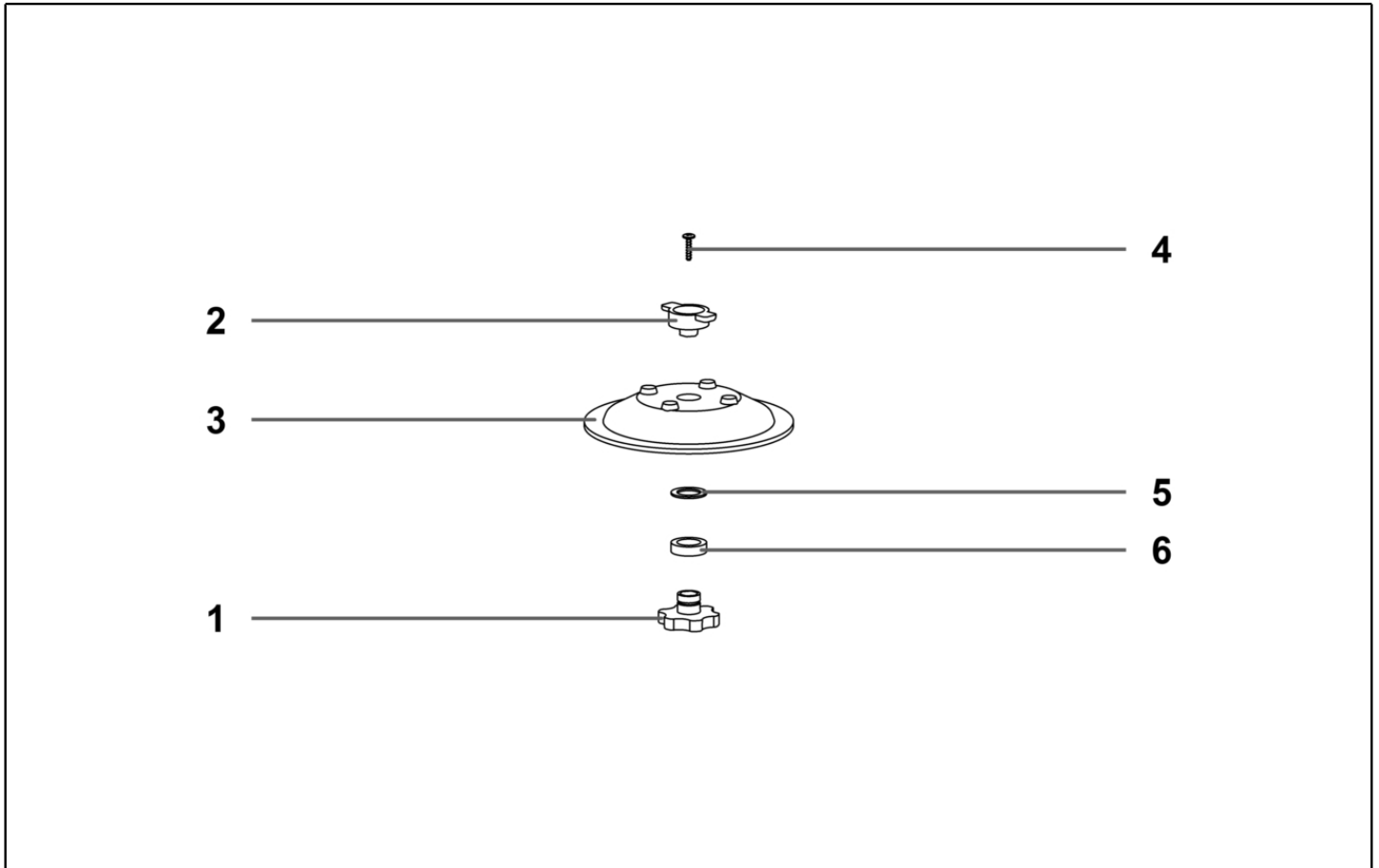
Ref. K	Part n.	Part n. 2	Description	Quantity	Validity		Price
					From	To	
0001	LAFN10812		FRAME OPTIM 600 SMALL	1,00			--
0002	RTRT00455		WHEEL DIA.150 M12X35	2,00			--
0003	VTRS00394		WASHER M 12 UNI 6592	2,00			--
0004	VTDD72060		LOW SELF-LOCKING NUT M 12	2,00			--
0005	RTRT00480		WHEEL PU DIA.245X50	2,00			--
0006	VTVT01414		SCREW TE M12X75 UNI 5737 8.8 Z	2,00			--
0007	PVVR00381		SPACER RUOTA D.245 OPT SMALL	2,00			--
0008	VTRS00394		WASHER M 12 UNI 6592	4,00			--
0009	VTDD72060		LOW SELF-LOCKING NUT M 12	2,00			--
0010	MPVR06895		PLASTIC TOP 40X40	2,00			--
0011	LAFN09581		HINGE AXIS	1,00			--
0012	VTVT01019		SCREW TE M 6X16 UNI 5739	4,00			--
0013	VTDD00222		NUT M 6 UNI 5588	4,00			--
0014	VTRS00400		WASHER M 6 UNI 6592	8,00			--
0015	LAFN10829		CARRYNG BAG TANK BASC. OPTIM SMALL	1,00			--
0016	VTVR00395		RIVET 4,8X15 INOX	4,00			--
0017	MPVR06691		FOOT TIPPING BEARING	2,00			--
0018	LAFN09583		PLATE FOOT	2,00			--
0019	ABGO00062		BUMPER H=17 M6X15	2,00			--
0020	VTRS00389		CRICKET M 6X18X1,5 UNI 6593	2,00			--
0021	VTDD00230		SELF-LOCJ.NUT M 6 SMALL UNI 7474	2,00			--
0022	VTRS00400		WASHER M 6 UNI 6592	2,00			--
0023	VTVT01392		SCREW TBEI 8X16 UNI 7380 INOX	4,00			--
0024	VTVR71963		WASHER 8X24	4,00			--
0025	VTRS00396		WASHER M 8 UNI 6592	4,00			--
0026	VTDD00214		NUT M 8 UNI 5721	4,00			--



Ref. K	Part n.	Part n. 2	Description	Quantity	Validity		Price
					From	To	
0001	TBFX01059		FLEXIBLE HOSE "TYPE 2 "50 5MT CONDUTT.	1,00			--
0002	MPVR07315		CUFF INT.D50 EVA D.50	1,00			--
0003	LAFN49499		GALVAN. CUFF-INLET SIDE-D.58-50	1,00			--



Ref. K	Part n.	Part n. 2	Description	Quantity	Validity		Price
					From	To	
0001	GUVR40078		GASKET H3 DS50 W/ANTIFOAM BODY	1,00			--
0001	GUVR40078		GASKET H3 DS50 W/ANTIFOAM BODY	1,00			--



Ref. K	Part n.	Part n. 2	Description	Quantity	Validity		Price
					From	To	
0001	MPVR07254		KNOB RAPID ATTACK	1,00			--
0002	MPVR07253		HOOKING RAPID ATTACK	1,00			--
0003	MPVR06630		DISC FILTER SUPPORT	1,00			--
0004	VTVT71961		SCREW PFU TMT PHL 5X20 ZN NERA	1,00			--
0005	VTRS00418		WASHER P.P. 30X20X1,5	1,00			--
0006	VTRS00419		WASHER SPONGE RUBBER 30X20X8	1,00			--