

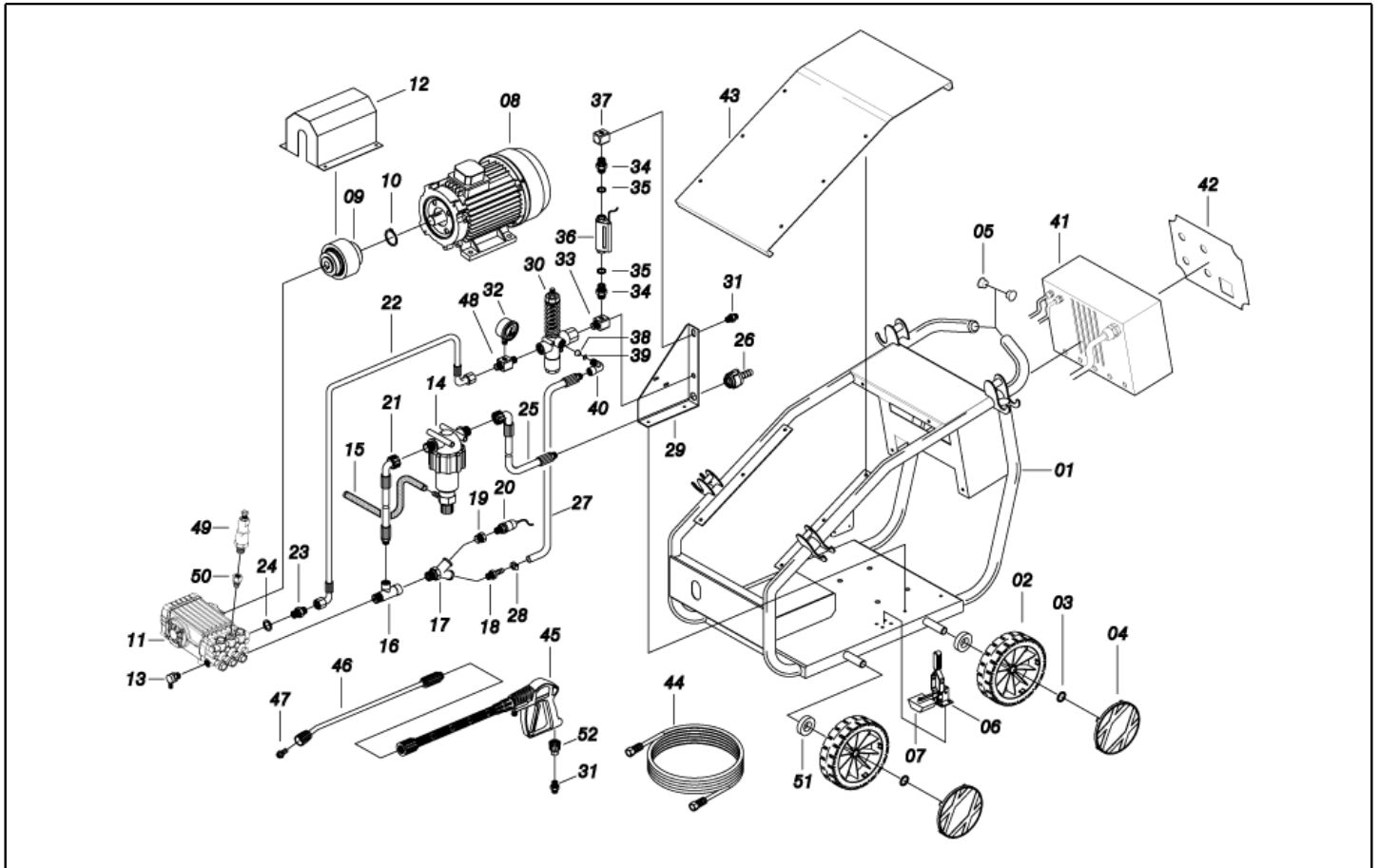


IPC

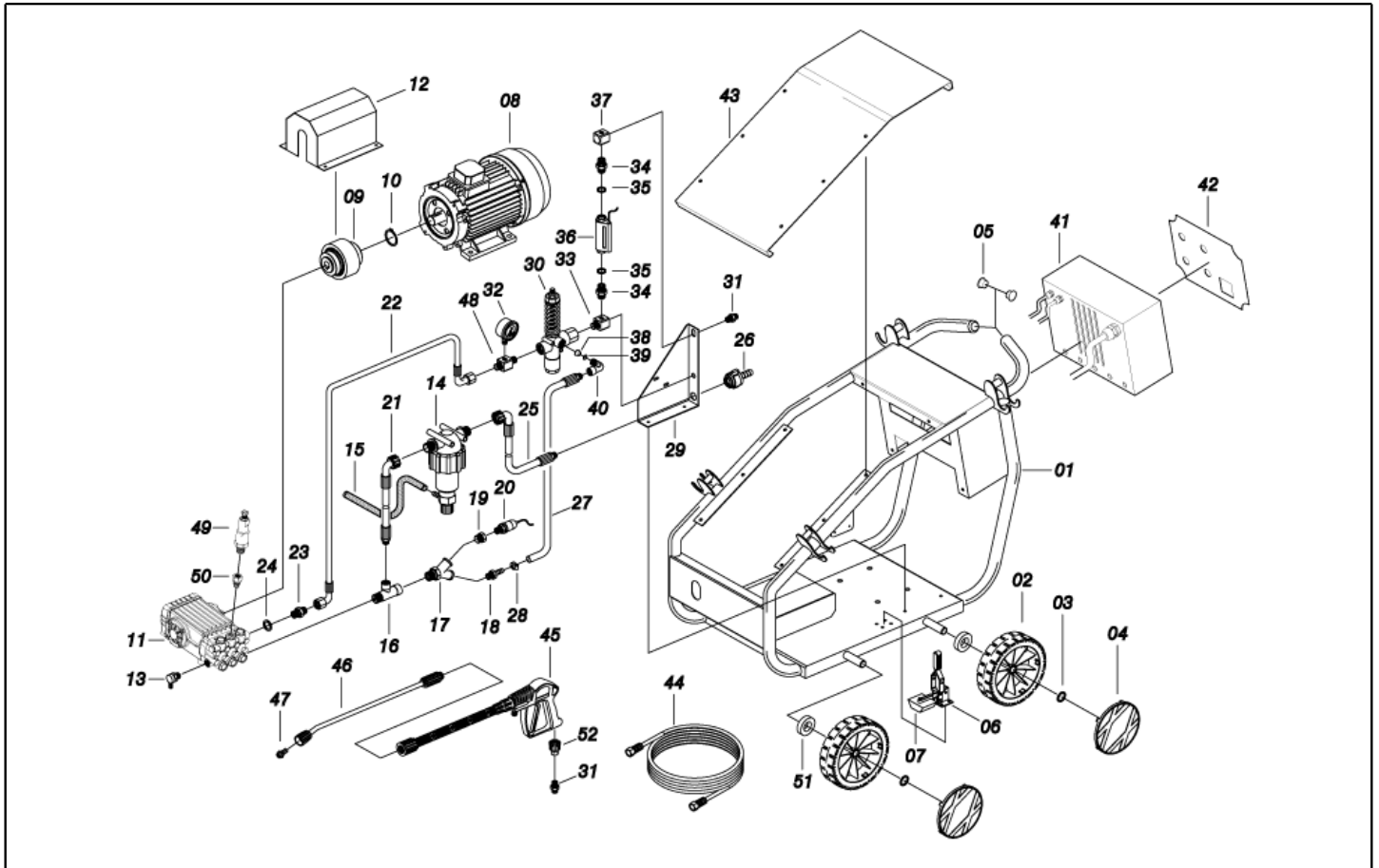
Spare parts list

Ref: IDAF40351

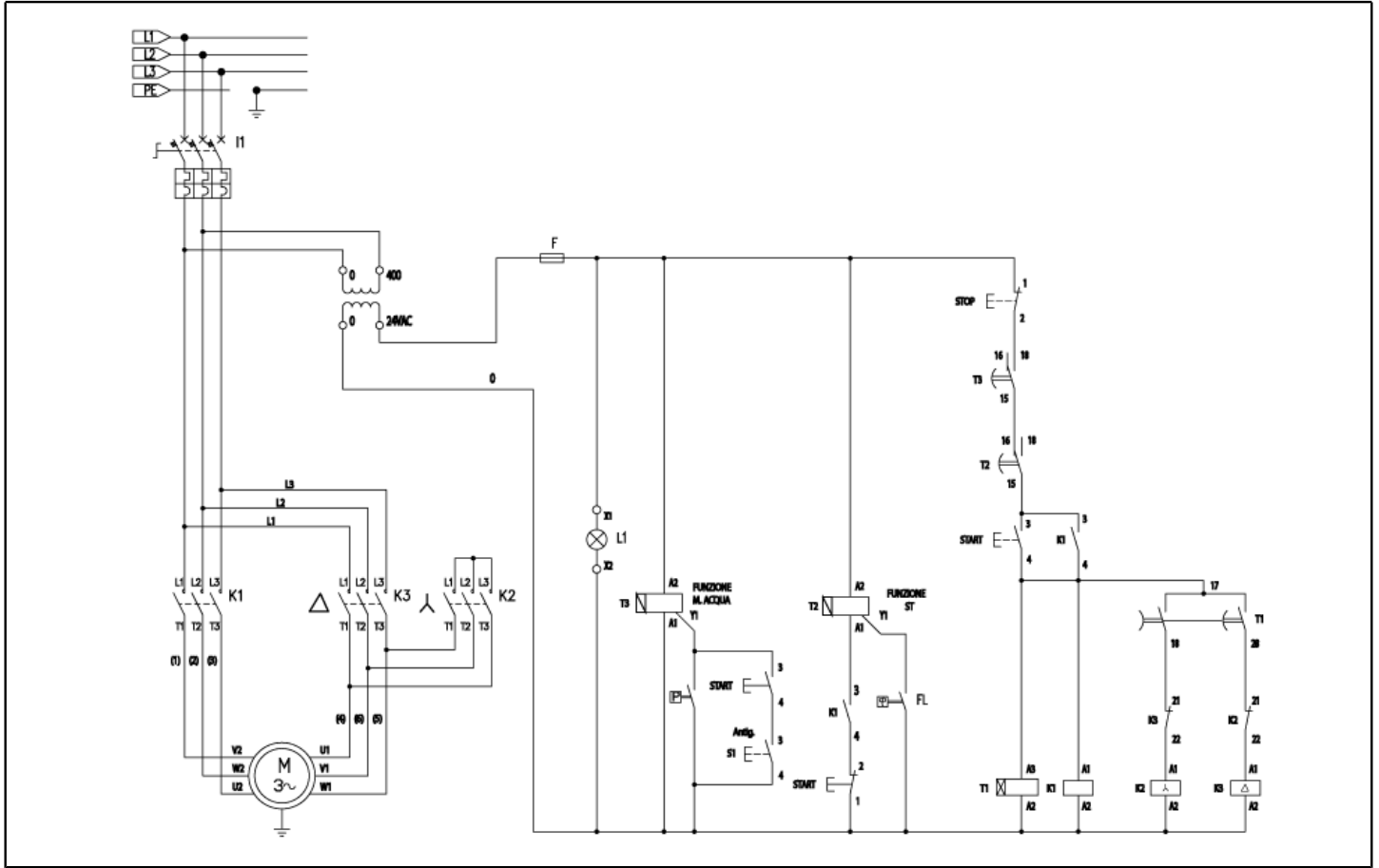
Model: H.P. CLEANER ABSOL-C S5015T 400/50 IPC



Ref. K	Part n.	Customer part n.	Description	Quantity	Validity		Price
					From	To	
0001	LAFN40328		TUBULAR FRAME ABSOLUTE 20HP BK.	1,00		31/12/2013	--
0001	LAFN40584		TUBULAR FRAME ABSOLUTE 20HP 2V. BK.	1,00	01/01/2014		--
0002	RTRT45383	00045383	WHEEL D.305-D.25 RT-IPC	4,00	01/10/2011		--
0002	RTRT85704	00085704	WHEEL D.300-D.25 SUPER	4,00		30/09/2011	--
0003	VTRS09813	00009813	WASHER D.25	4,00			--
0004	MPVR40056		BLACK HUB CAP D. 305 RT-PRT	4,00	01/10/2011		--
0004	MPVR40256		WHEEL'S COVER D. 300 BK	4,00	19/01/2011	30/09/2011	--
0005	MPVR40189		PROD D.40 L.17	4,00			--
0006	AZMC40007		CLAMP HV 450	1,00			--
0007	MPVR40244		PLUG ABS. NR+SBR.BK	1,00			--
0008	MOTR40021		3PH MOTOR B3-14H160 HP20 40-690/504	1,00		31/12/2013	--
0008	MOTR40049		3PH MOTOR B3-14 HP20 40/690-50 4P	1,00	01/01/2014		--
0009	FGGT40003		FLEX. COUPLING HP 20.0 SM Z.38 42-24 CPL	1,00		31/12/2013	--
0009	FGGT40009		FLANGE F30 H.132	1,00	01/01/2014		--
0010	VTAE40002		CIRCLIP D. 85 UNI 7435	2,00		31/12/2013	--
0011	PPAP40049		PUMP SHP 15.50 DX N OT.	1,00			--
0012	LAFN40327		PROTECTION HP20 ABS YL.	1,00		31/12/2013	--
0013	VVSC40550	00040550	VALVE 1/2" 56°C	1,00			--
0014	FTAC40007		WATER FILTER 1" MM 100MS A.PUL. ARG	1,00			--
0015	TBBP03317	00003317	DETERGENT HOSE D.13-19	0,55			--
0016	RCVR02580	00002580	TEE UNION 1/2 F/F/M	1,00			--
0017	RCVR40034		CONNECTOR Y 1/2 M/F/F OT.NIK	1,00			--
0018	RCDS34731	00034731	HOSE FITTING 1/2 M D.12-17 OT	1,00	01/11/2012		--
0018	RCVR40039		HOSE FITTING 1/2 M D.12-16 NIK	1,00		31/10/2012	--
0019	RCVR02606	00002606	REDUCTION 1/2-1/4 M/F	1,00			--
0020	MEPF13871	00013871	PRESSURE SWITCH 1/4 M N.A. 1.5BAR OT	1,00			--
0021	TBBP40022		L.P. HOSE L=295 1" F 90° -1/2M 0°	1,00			--
0022	TBAP40057		HOSE-FITTING 3/8 R3 L=700 1/2F-1/2F90	1,00			--
0023	RCDS00611	00000611	NIPPLE 1/2 - 3/8 SV	1,00			--
0024	VTRS00548	00000548	WASHER D.17,5X23X1,5 (3/8)RM	1,00			--
0025	TBBP40023		L.P. HOSE L=710 1" F 90°-3/4M 0°	1,00			--
0026	RCVR40038		CONNECTOR G3/4 F OT.	1,00			--
0027	TBBP40024		L.P. HOSE L=420 1/2M 0° -LB.16X24	1,00			--
0028	FSVR40001		CLAMP D. 23-25 GBS-W4 M6	1,00			--
0029	LAFN40331		VALVE BRACKET ABS. 500B. BK.	1,00			--
0030	VVAZ40009		VALVE VB 60/600 G1/2FF IX.303	1,00			--
0031	RCIN40041		MALE COUPLING M 24 -3/8M INX RM	1,00			--
0032	MNMM40002		PRESSURE GAUGE RD 0-1000 D.63 1/4 IX	1,00			--
0033	RCDS40088		BLOCK 2VIE 1/2 M 3/8F +M8 INX	1,00			--
0034	RCDS12121	00012121	NIPPLE 3/8 - 3/8 SV/CN	1,00			--
0035	VTRS40010		WASHER D.17,5X22X1,5 RM	1,00	19/01/2011		--
0036	MEPF40011		FLOW SWITCH ST505-600B. L=1.200	1,00			--
0037	RCDS40087		BLOCK 2VIE 3/8 F/F INX	1,00			--
0038	UGEI40005		NOZZLE D. 2.7 VB60/600 OT58	1,00			--

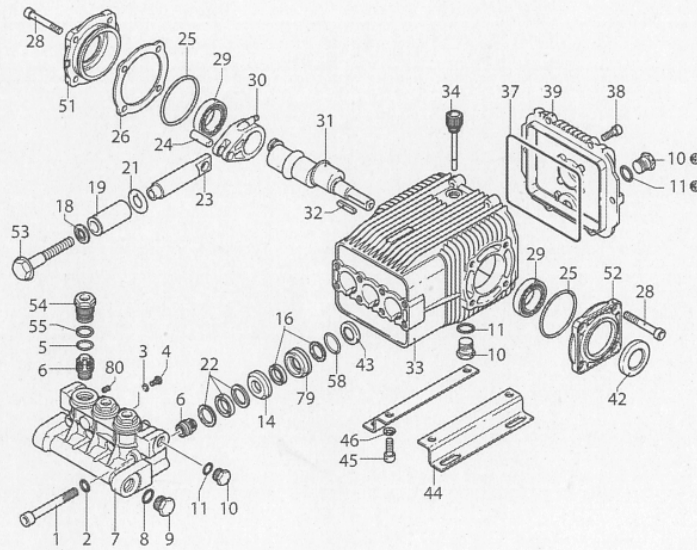


Ref. K	Part n.	Customer part n.	Description	Quantity	Validity		Price
					From	To	
0039	GUGO11225	00011225	O-RING D. 10.78 X 2.62 NBR 70SH	1,00			--
0040	RCVR00575	00000575	ELBOW 1/2" M/F A10	1,00			--
0041	MEVR40045		BOX WMX 380X280X230 PK ABS.	1,00			--
0042	ETET40352		LABEL ABS PLC	1,00			--
0043	LAFN40329		COVER ABSOLUTE INX	1,00			--
0044	TBAP40050		H.P. HOSE R3 MT 15 3/ 8" 2IRV M24 F	1,00			--
0045	IPPR40005		GRIP G 7300 - P.330 -M24SW.M V	1,00			--
0046	LCPR40026		EXTENSION P 70/M24 -NZ.500B.	1,00			--
0047	UGLN40002		NOZZLE R+M 1/4 0003 SAPH.	1,00		02/07/2015	--
0047	UGLN40018		LANCE NOZZLE LECH 1/4 15028 500bar	1,00	03/07/2015		--
0048	RCDS40089		NIPPLE 1/2 - 1/2 CN C/F.G1/4 INX	1,00			--
0049	VVSC40010		VALVE S3 500B. SG.RD.	1,00	01/10/2011		--
0050	RCDS40127		CAP M24X1,5 + 1/2F AR INX.	1,00	01/10/2011		--
0051	MPVR41485	00041485	SPACER D. 26-36 L=17	4,00	01/10/2011	31/05/2012	--
0051	VTRS73055	00073055	WASHER D.44x26x4 ZC U.6592	4,00	01/06/2012		--
0051	VTRS73055	00073055	WASHER D.44x26x4 ZC U.6592	4,00		30/09/2011	--



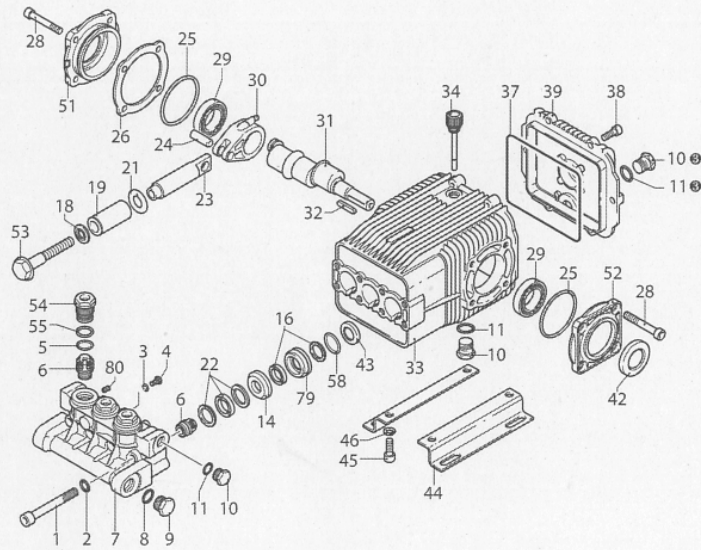
Ref. K	Part n.	Customer part n.	Description	Quantity	Validity		Price
					From	To	
F1	MEVR71726	00071726	FUSE CF10 gC 10.3x38 4A 400V	1,00			--
IG	MECI40013		AUTHOMAT.SWITCH SIE 3RV10 31-4EA10 22-32A	1,00			--
IG	MEVR40044		REMOTE CONTROL EMERG. ABS 3RV29 L=83	1,00			--
K1	METT40005		CONTACT SIE N.A. 3RH19 21-1CA10	4,00		09/12/2014	--
K1	METT40046		CONTACT SIE N.A. 3RH29 11-1HA20	1,00	10/12/2014		--
K2	METT40018		CONTACTOR SIE 3RT 2024-1AC20 24V	1,00	10/12/2014		--
K2	METT45025	00045025	CONTACTOR SIE 3RT 1024 1AC20 24V	1,00		09/12/2014	--
K2	METT40004		CONTACT SIE N.C. 3RH19 21-1CA01	2,00		09/12/2014	--
K2	METT40047		CONTACT SIE N.C. 3RH29 11-1HA01	2,00	10/12/2014	23/01/2015	--
L1	MELF89991		LAMP RMQ D.22 GR.	1,00			--
L1	MELF89978		LED GR. M22-LED-G	1,00			--
S1	MECI40015		BUTTON RMQ D.22 YE.	1,00			--
T1	MERL40003		RELAY SIE ST/TR 3RP15 74-1NQ30	1,00			--
T2	METY46600	00046600	TIMER MAR1.A 0.1S-100H 24-240V	1,00			--
T3	METY46132	00046132	TIMER MCR1.C 0.1S-100H 24-240V	1,00			--
TR	METR40011		TRANSFORMER 50VA 400-440/24 5/60HZ FL	1,00	16/01/2015		--
TR	METR41580	00041580	TRANSFORMER 50VA 400-230/50V	1,00		15/01/2015	--
CV1	MECB40151		CABLE N.469 H07RNF 4X6 L.15.000	1,00			--
CV1	MEVR40043		PLUG CEE ILME 6365SV 3P+N+T 63	1,00			--
STA	MECI40014		BUTTON RMQ D.22 WH.	1,00			--
STA	MECI89983		CONTACT RMQ-TN NA	3,00			--
K1,3	METT40019		CONTACTOR SIE 3RT 2025-1AC20 24V	2,00	10/12/2014		--
K1,3	METT45024	00045024	CONTACTOR SIE 3RT 1026 1AC20 24V	2,00		09/12/2014	--
S,S1	MECI89984		CONTACT RMQ-TN NC	2,00			--
STOP	MECI40016		BUTTON RMQ D.22 BK.	1,00			--

PM-SHP

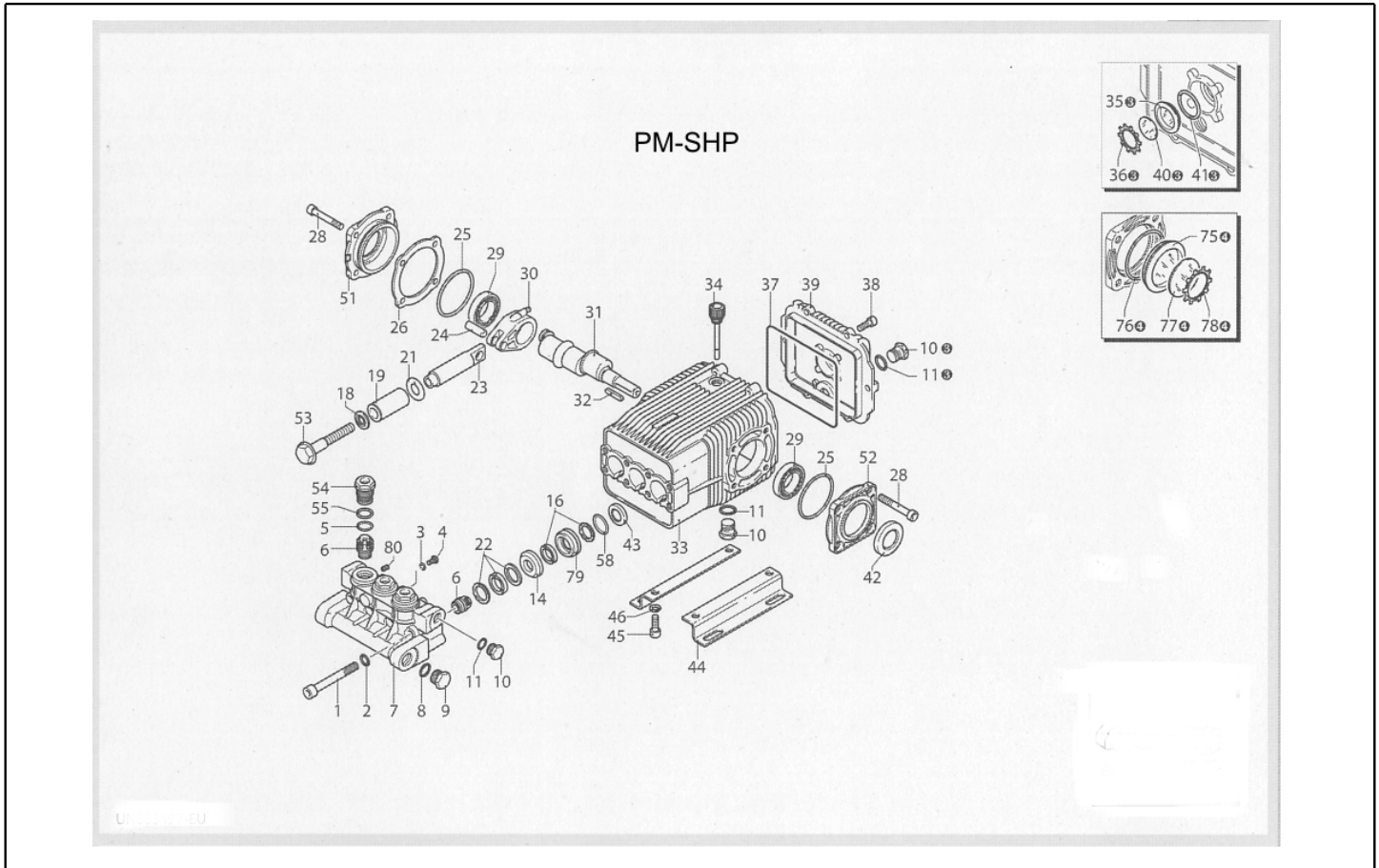


Ref. K	Part n.	Customer part n.	Description	Quantity	Validity		Price
					From	To	
0001	VTVT89456		SCREW TCEI M10X 90 UNI 5931 ZB	8,00			--
0002	VTRS00519	00000519	WASHER D.10 DT	8,00			--
0003	VTRS00503	00000503	WASHER D. 6 TE UNI 6798	3,00			--
0004	VTVT13597	00013597	SCREW EXAGONAL BOLT 6X12	3,00			--
0005	GUGO02259	00002259	O-RING D. 15.54 X 2.62 NBR 70SH	3,00			--
0006	S VVAM40004		VALVE UNIT SHP	6,00			--
0007	MFVR40036		HEAD AR SHP OT.	1,00			--
0008	GUGO19245	00019245	O-RING D. 17.5 X 2 NBR 70SH	1,00			--
0009	PVVR40121		CAP 1/2 M RC	1,00			--
0010	PVVR40099		CAP 3/8 M HRM	3,00			--
0011	GUGO09720	00009720	O-RING D. 14 X 1.78 NBR 70SH	3,00			--
0014	S PVVR40206		INTERMED. RING D. 18 SHP	3,00			--
0016	S GUVR40047		PACKING D. 18 RW W2+W3	3,00			--
0018	VTRS40011		WASHER D. 6X12X1	3,00			--
0019	S PIVR40008		PISTON D.18 RW	3,00			--
0021	PVVR40197		DISC RW	3,00			--
0022	S GUVR40049		PACKING D. 18 SHP W1	3,00			--
0023	PVVR40194		PISTON GUIDE RW	3,00			--
0024	PVVR40186		GUDGEON D. 14 RW	3,00			--
0025	S GUGO01132	00001132	O-RING D. 66.35 X 2.62 NBR 70SH	2,00			--
0026	PVVR40187		THICKNESS AR 0,05 mm	1,00			--
0026	PVVR40189		THICKNESS AR 0,10 mm	1,00			--
0026	PVVR40192		THICKNESS AR 0,19 mm	1,00			--
0026	PVVR40193		THICKNESS AR 0,25 mm	1,00			--
0028	VTVT01118	00001118	SCREW TCEI M 8X16 ZC. UNI 5931	8,00			--
0029	CUVR09205	00009205	ROLLER BEARING 32206 A	2,00			--
0030	BLVR40004		CONNECTING ROD SHP	1,00			--
0031	ALMO40015		SHAFT AR SHP	1,00			--
0032	VTVR06364	00006364	KEY 8 X7 X40	1,00			--
0033	MFVR40032		PUMP CRANKCASE AR RW	1,00			--
0034	PVVR40150		OIL CAP AR SHP	1,00			--
0035	PVVR19238	00019238	OIL INDICATOR XTS	1,00			--
0036	VTAE19239	00019239	SEEGER 0,5 X25,35X16,0	1,00			--
0037	S GUGO40020		O-RING D. 132 X 3 NBR 70SH	1,00			--
0038	VTVT01531	00001531	SCREW TE 6X 16 UNI 5739	6,00			--
0039	MFVR40034		CRANKCASE COVER AR RW	1,00			--
0040	PVVR40199		DISC CONTRASTO POMPA RW	1,00			--
0041	GUGO19395	00019395	O-RING D. 20.24 X 2.62 NBR 70SH	1,00			--
0042	S GUGO11229	00011229	OIL SEAL 30X 52X 7 NBR70	1,00			--
0043	S GUGO40019		OIL SEAL RW	3,00			--
0051	MFVR40035		CRANKCASE COVER AR RW LAT. CPL	1,00			--
0052	MFVR40033		CRANKCASE COVER AR RW LAT. OPEN	1,00			--
0053	VTVT40031		SCREW TE M 6X 60 UNI 5737 A2	3,00			--
0054	PVVR40207		CAP AR SHP	3,00			--

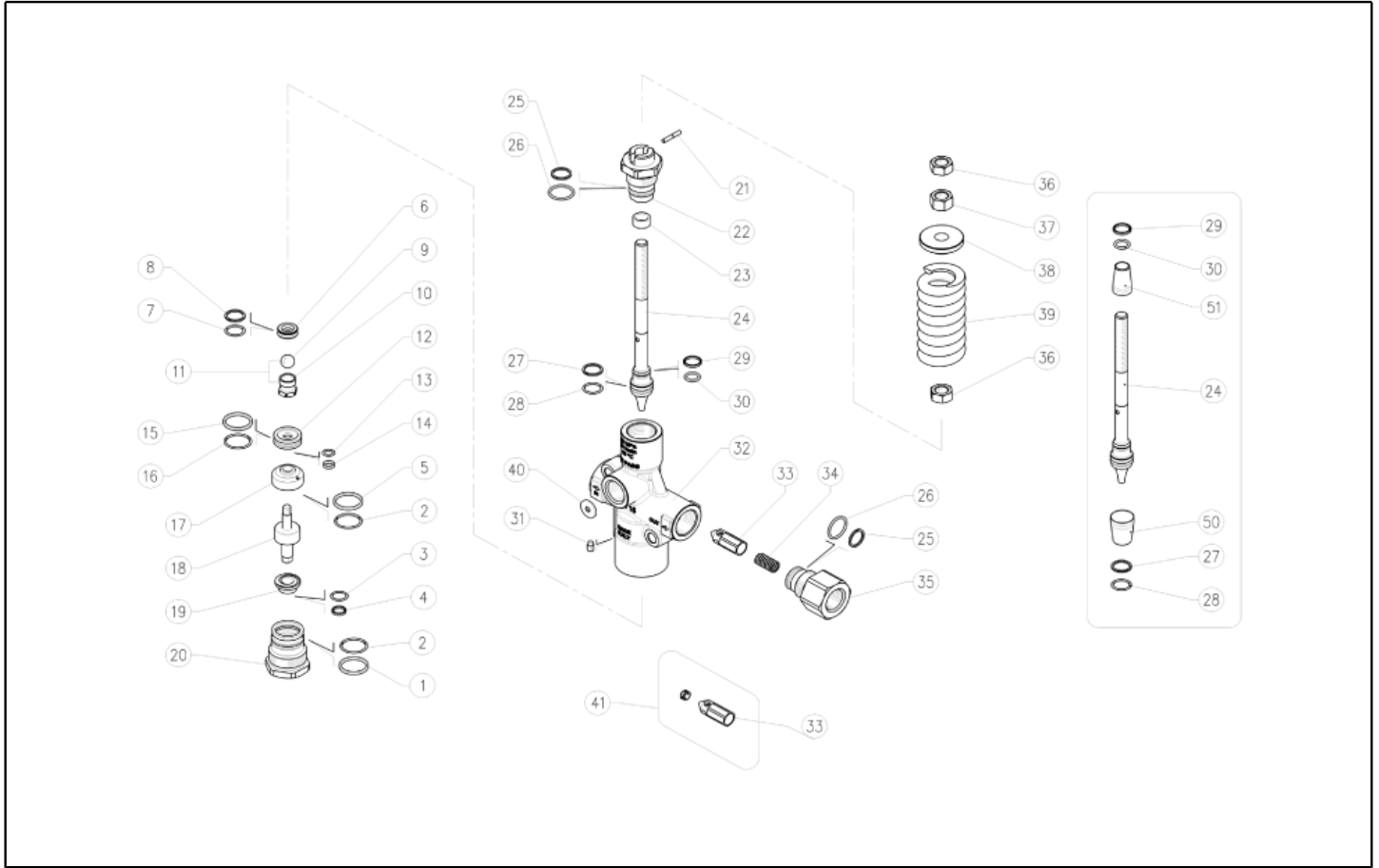
PM-SHP



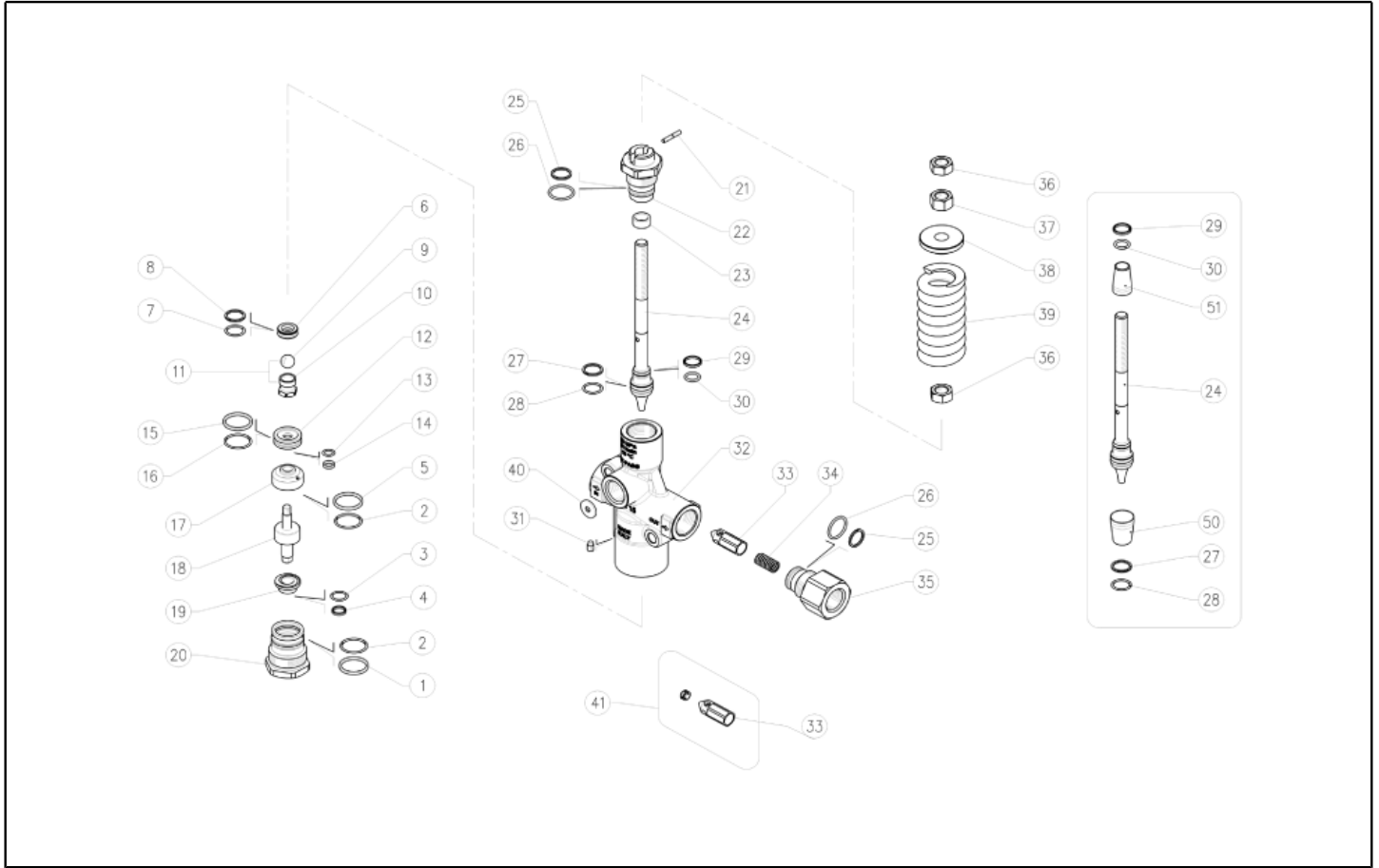
Ref. K	Part n.	Customer part n.	Description	Quantity	Validity		Price
					From	To	
0055	GUVR40048		ANTI-EXTR.RING D.21,5X17,6X1,5	3,00			--
0058	S GUGO63438		O-RING D. 34.65 X 1.78 NBR 70SH	3,00			--
0075	PVVR40200		OIL INDICATOR RW	1,00			--
0076	GUGO01943	00001943	O-RING D. 34.6 X 2.62 NBR 70SH	1,00			--
0077	PVVR40202		DISC CONTRASTO POMPA RW	1,00			--
0078	VTAE40004		SEEGER 0,5 X40,40X30,0	1,00			--
0079	S PVVR40185		INTERMED. RING D. 18 RW	3,00			--
0080	VTVT63067		SCREW STEI M 5X6 ZIN.UNI5923	1,00			--



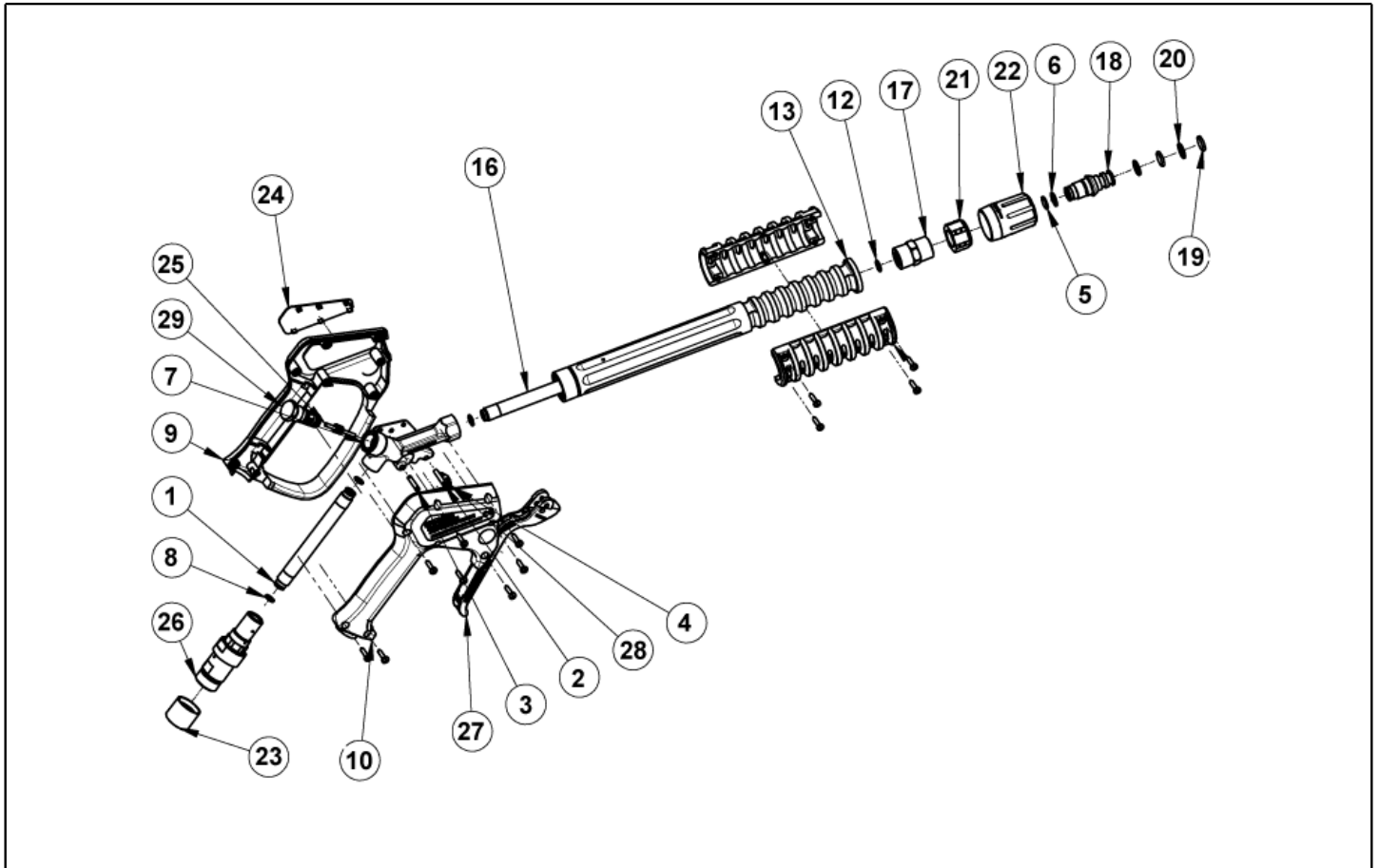
Ref. Part n.	Cust. part n.	Description	Reference	Price
K A	KTRI40161	KIT P 15-2185 SHP	0006	--
K B	KTRI40157	KIT P 15-42911 D.18 RW	0019	--
K C	KTRI40162	KIT P 15-42912 SHP	0025 0037 0042 0043	--
K E	KTRI40163	KIT P 15-42913 D.18 SHP	0016 0022 0058	--
K H	KTRI40164	KIT P 15-42120 D.18 SHP	0014 0079	--



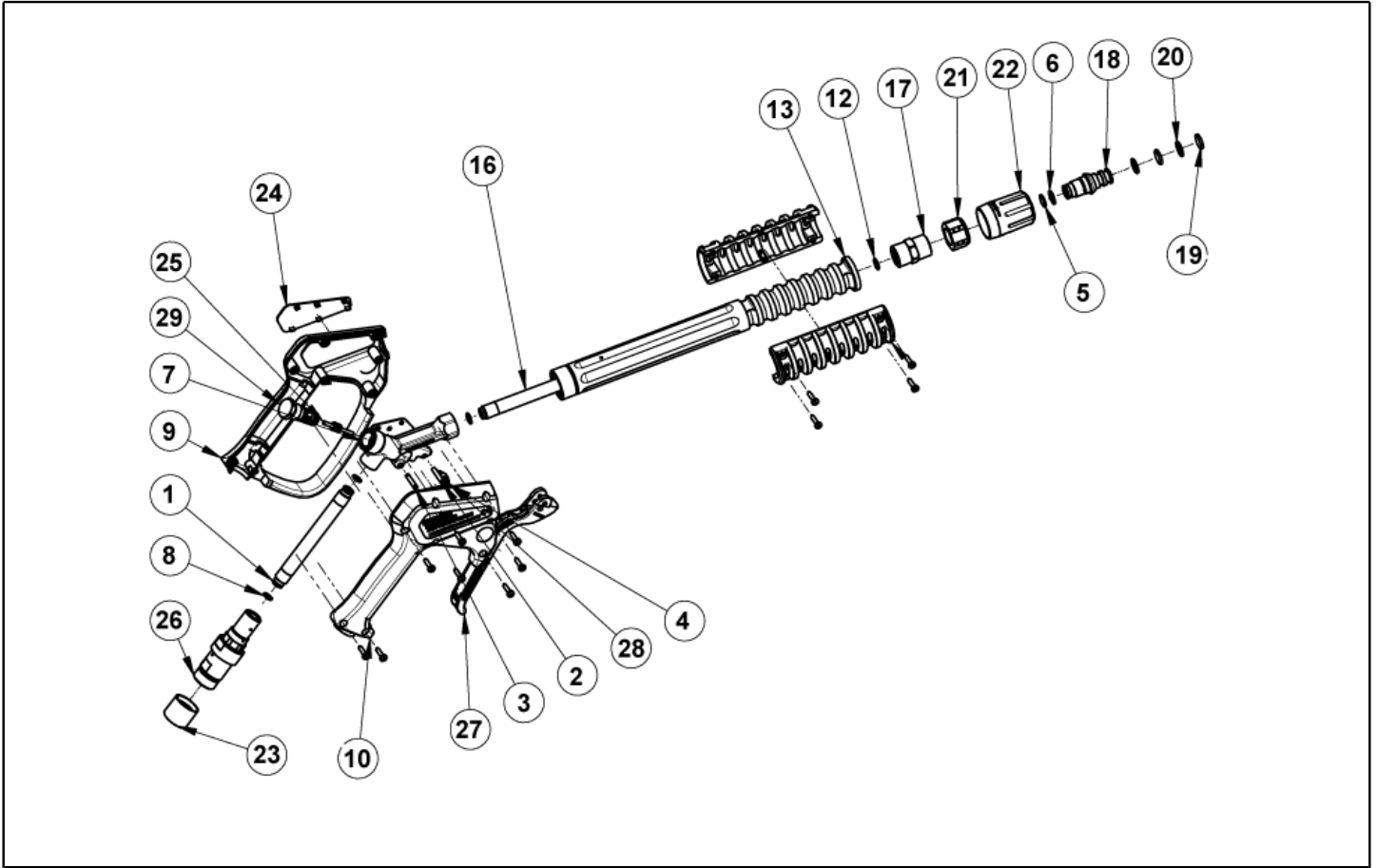
Ref. K	Part n.	Customer part n.	Description	Quantity	Validity		Price
					From	To	
0001	S	GUVR40095	ANTI-EXTR.RING D.23.2X26X1.2	1,00			--
0002	S	GUGO40073	O-RING D. 21.91 X 1.78 NBR 90SH	2,00			--
0003	S	GUGO01036	00001036 O-RING D. 10.82 X 1.78 NBR 70SH	1,00			--
0004	S	GUVR40096	ANTI-EXTR.RING D. 9.2X11.2X2	1,00			--
0005	S	GUVR40097	ANTI-EXTR.RING D.20 X22X2	1,00			--
0006	S	PVVR40477	VALVE SEAT VB60 D.8.5 IX	1,00			--
0007	S	GUGO21841	00021841 O-RING D. 12.42 X 1.78 NBR 90SH	1,00			--
0008	S	GUVR42749	00042749 ANTI-EXTR.RING D.13 X15.9	1,00			--
0011	S	PVVR40478	COUPLING VB60 13/32" IX	1,00			--
0012	S	PVVR40479	RING D. 7 VB60 IX	1,00			--
0013	S	GUGO12490	00012490 O-RING D. 8.74 X 1.78 NBR 70SH	1,00			--
0014	S	GUVR40098	ANTI-EXTR.RING D. 7 X 9 X2	1,00			--
0015	S	GUVR40099	ANTI-EXTR.RING D.19.3X22X1.2	1,00			--
0016	S	GUGO24924	00024924 O-RING D. 18.77 X 1.78 NBR 90SH	1,00			--
0017	S	PVVR40480	SPACER VB60 D. 7	1,00			--
0018	S	PVVR40481	PIN VB60 IX	1,00			--
0019	S	PVVR40482	RING D. 9 VB60 IX	1,00			--
0020	S	PVVR40483	CONNECTOR VALVOLA VB60 IX	1,00			--
0021	S	PVVR40484	PIN VB60 D.3.1X18 IX	1,00			--
0022	S	PVVR40485	PISTON GUIDE VB60 IX	1,00			--
0023	S	PVVR40053	BUSHING SW.RL55	1,00			--
0024	S	PVVR40486	PUSH ROD VB60 IX	1,00			--
0025	S	GUVR40100	ANTI-EXTR.RING D.17.2X20X1.2	2,00			--
0026	S	GUGO24913	00024913 O-RING D. 17.17 X 1.78 NBR 90SH	2,00			--
0027	S	GUVR40101	ANTI-EXTR.RING D.18	1,00			--
0028	S	GUGO11652	00011652 O-RING D. 12.42 X 1.78 NBR 70SH	1,00			--
0029	S	GUVR40102	ANTI-EXTR.RING D.14.2	1,00			--
0030	S	GUGO03496	00003496 O-RING D. 9.25 X 1.78 NBR 70SH	1,00			--
0032	S	PVVR40487	VALVE BODY VB60/600 1/2F	1,00			--
0033	S	PVVR40488	COUPLING N/RIT. VB60 IX	1,00			--
0034	S	MLML40040	SPRING D. 8.5X28.5X1.3 INX	1,00			--
0035	S	PVVR40489	CONNECTOR VB60 G1/2F IX	1,00			--
0036	S	VTDD15522	00015522 NUT M10 INOX UNI5588	2,00			--
0037	S	VTDD00151	NUT M.10	1,00			--
0038	S	PVVR40490	SPRING PLATE VB60 IX	1,00			--
0039	S	MLML40041	SPRING D.38 X80 VB60 BK.	1,00			--



Ref. Part n.	Cust. part n.	Description	Reference	Price
KTRI40282		KIT P 14-108 VB60/600 BP	0001 0002 0003 0004 0005 0006 0007 0008 0011 0013 0014 0015 0016 0023 0025 0026 0027 0028 0029 0030	--



Ref. K	Part n.	Customer part n.	Description	Quantity	Validity		Price
					From	To	
0001	PVVR40441		TUBE G 1/4" L.125 sp.2,5	1,00			--
0002	VTVR40017		PLUG G 4500.500	1,00			--
0003	VTVR40052		PLUG G 7300	1,00			--
0005	GUGO16615	00016615	O-RING D. 10 X 1.5 NBR 70SH	1,00			--
0006	GUVR40088		ANTI-EXTR.RING D. 10 G7300	1,00			--
0007	PVVR40442		GUN BODY G 7300 G1/4	1,00			--
0009	MPVR40156		SHELL G 4500 2V.	1,00			--
0010	MPVR40157		COVER G 4500 2V.	1,00			--
0012	VTRS04931	00004931	WASHER COPPER D.13X19X1.5	1,00			--
0013	MPVR46570	00046570	PROTECTION P 330 ST	1,00			--
0016	LCPR40115		TUBE 1/4 L=350 IX. 0°	1,00			--
0017	RCDS40217		SLEEVE 1/4 F/F G7300	1,00			--
0018	RCVR40157		GUDGEON G1/4 M G7300	1,00			--
0019	GUGO40037		O-RING D. 10.6 X 2.4 NBR 90SH	1,00			--
0020	GUVR40061		ANTI-EXTR.RING D.11.1X15X1.4 PTFE/B	1,00			--
0021	RCDS40218		RING NUT M 24X1.5 G7300	1,00			--
0022	PVVR40443		CONNECTION M 24X1,5 500BAR	1,00			--
0023	PVVR40444		PROTECTION SWIV. G7300	1,00			--
0024	MPVR40760		PLATE G7300	1,00			--
0025	S PVVR40445		ROD ST-2750	1,00			--
0026	RCIN40030		SWIVEL ST-2750 M24X1.5-G1/4F	1,00			--
0027	MPVR40761		TRIGGER G 7300	1,00			--
0029	S PVVR40446		SMALL PISTON ST-2750 500B.	1,00			--



Ref. Part n.	Cust. part n.	Description	Reference	Price
KTRI40308		KIT P 26- 33 G 7300	0025 0029	--