



IPC

Spare parts list

Ref: ASDO13657

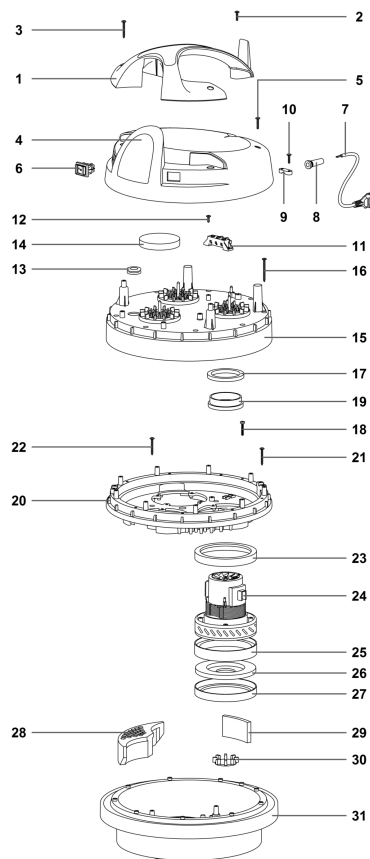
Model: VACUUM CLEANER GS3 MBAG OPT MFS



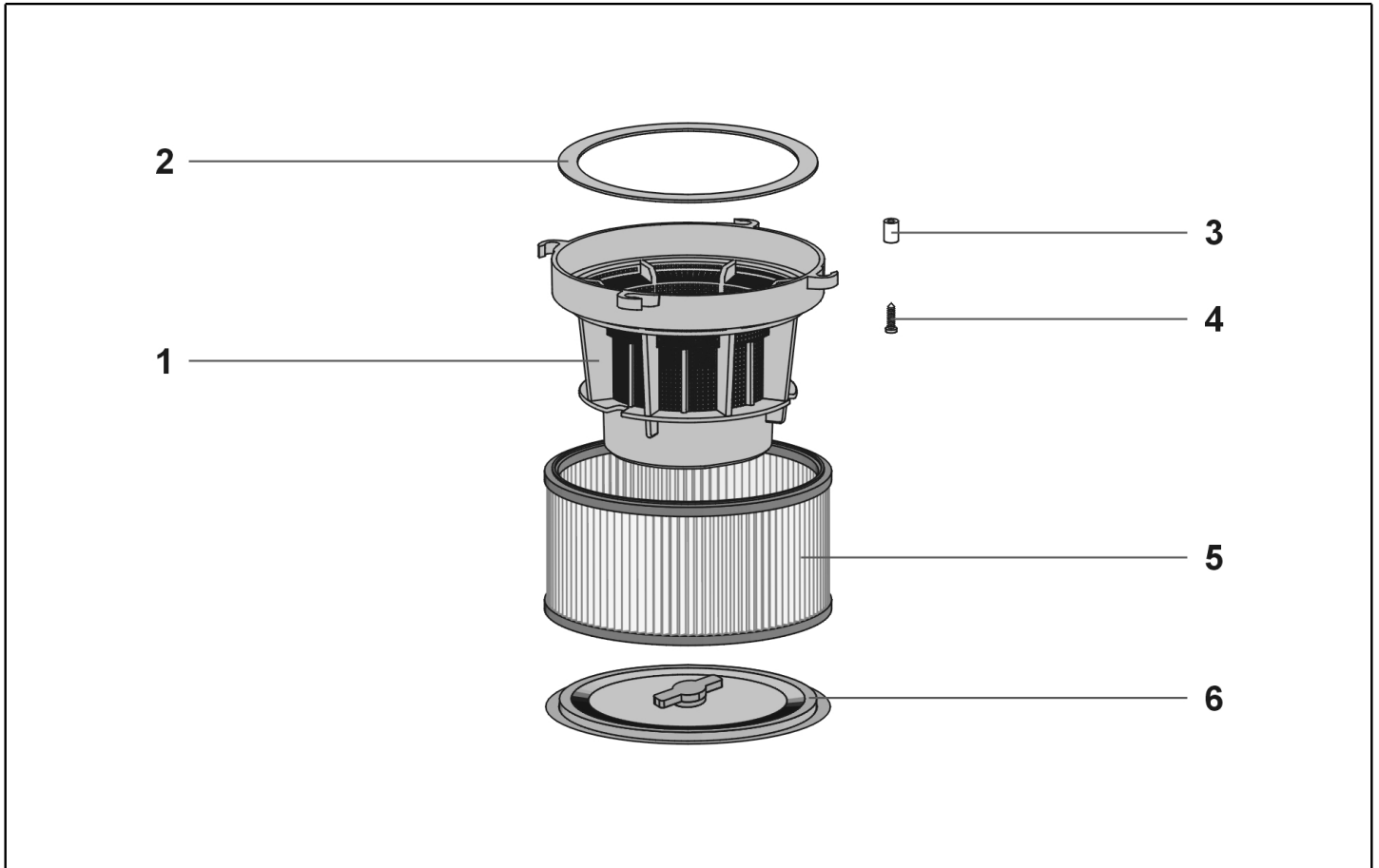
IPC Integrated Professional Cleaning

IPC Soteco

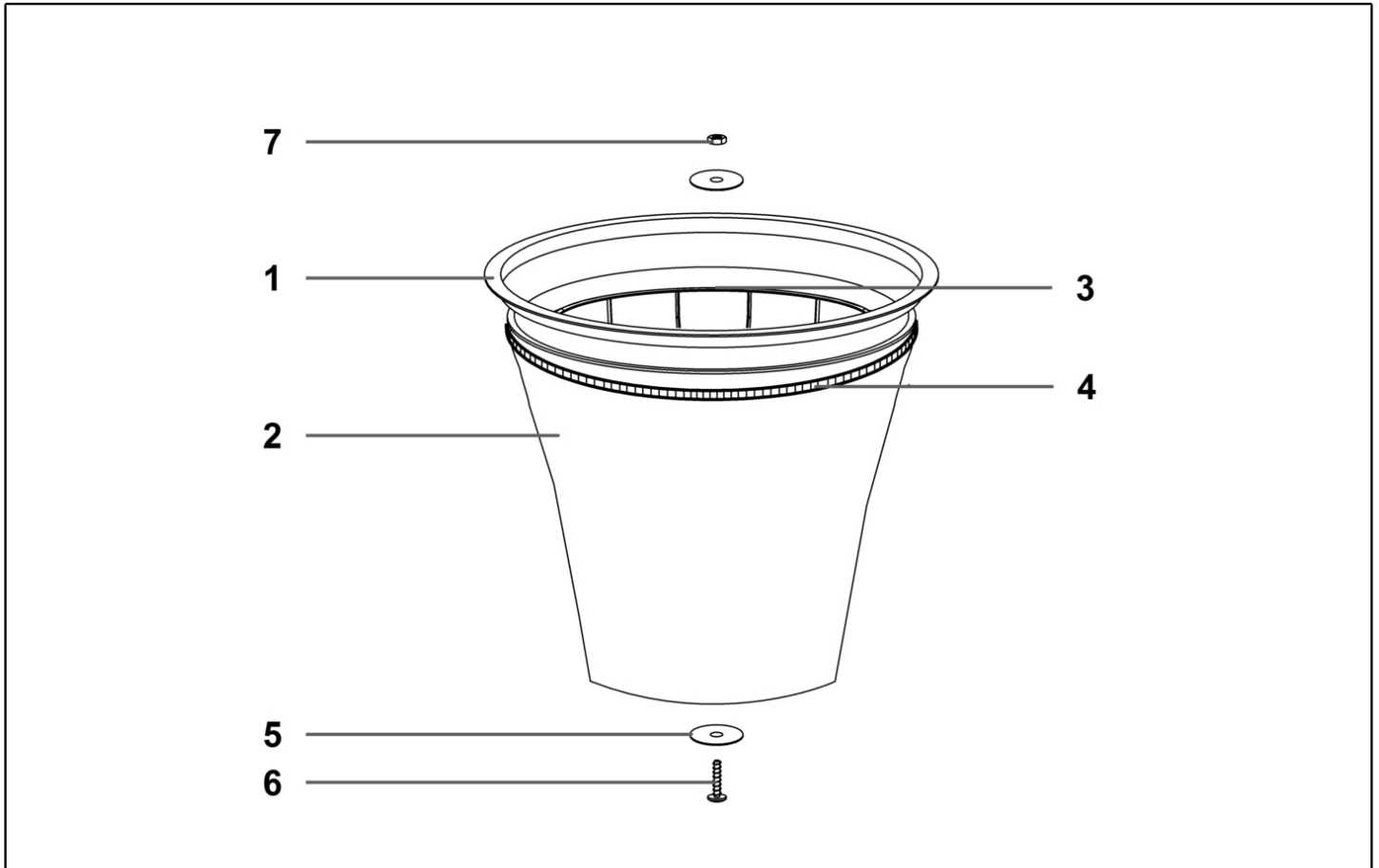
Ref. K	Part n.	Part n. 2	Description	Quantity	Validity		Price
					From	To	
0001	PMTA09060		HEAD TOPPER 433 C/P G5/NE	1,00			--
0002	KTRI05273		FILTERING KIT C/CART.HEPA ALT.=125 H14	1,00			--
0003	FTDP49498		FILTER KIT RING 400 + FILTER T45	1,00			--
0004	PMFU02799		TANK MAXIBAG 400 A430 SC/FI CO	1,00			--
0005	CARR02342		TROLLEY MBAG OPTIM 600 BASC SMALL	1,00			--



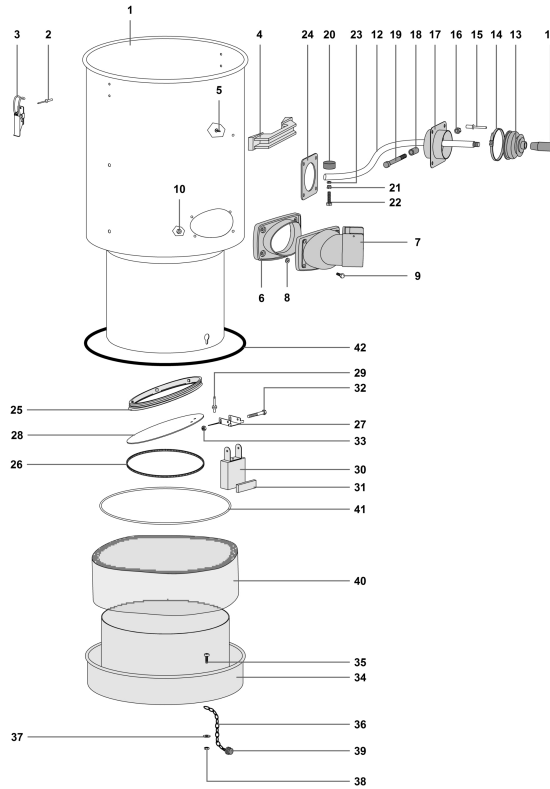
Ref. K	Part n.	Part n. 2	Description	Quantity	Validity		Price
					From	To	
*	MECB01818		WIRING 50CM MOTOR-TP 1200	3,00			--
*	FSVR00127		CLAMP	4,00			--
*	MECB35712		WIRE WITH RESISTANCE	1,00			--
0001	MPVR08302		HANDLE TOPPER 600 G5000	1,00			--
0002	VTVT71961		SCREW PFU TMT PHL 5X20 ZN NERA	1,00			--
0003	VTVT72106		SCREW PAT TMT PHL 5X40 BLACK	2,00			--
0004	PMVR06241		COVER TOPPER 600 NE 3INT	1,00			--
0005	VTVT72055		SCREW PFU TMT PHL 5X25 ZN BLACK	2,00			--
0006	MECI28744		ANTISPLASH RED LIGHT SWITCHER	3,00			--
0007	MECB31445		ELECTRIC CORD 2X1,5 MT.8,5	1,00			--
0008	MEVR28673		FAIRLEAD	1,00			--
0009	MPVR28690		CABLE CLAMP	1,00			--
0010	VTVT71961		SCREW PFU TMT PHL 5X20 ZN NERA	1,00			--
0011	MEVR02008		TERM.BOARD 400-600 3MOT.RAD	1,00			--
0012	VTVT71960		SCREW SCREW PAT TMT PHL 5X14 ZN	2,00			--
0013	MEVR72017		GUIDING SLIT FOR QUICK COUPLING	1,00			--
0014	FTDP38064		FILTER MTP/65 H=15 D.95	3,00			--
0015	MPVR08511		GREY COVER 600 5000	1,00			--
0016	VTVT40007		SCREW PAT TMT PHL 5X55 BLACK	9,00			--
0017	MPVR38371		WASHER H8 D85X65	3,00			--
0018	VTVT01181		SCREW TC CROSS M 5X30 UNI 7687	1,00			--
0019	MPVR86282		RING MOTORE H=7 (15) PLAST.	3,00			--
0020	MPVR89502		MOTOR-FASTENER NEV.600 BLACK	1,00			--
0021	VTVT72106		SCREW PAT TMT PHL 5X40 BLACK	9,00			--
0022	VTVT72106		SCREW PAT TMT PHL 5X40 BLACK	3,00			--
0023	GUGO28683		"L" GASKET W/O HOLES H=5,5	3,00			--
0024	MOMO40006		MOT.BS282 1200W 220-240 50/60 MONO	3,00			--
0025	GUVR00397		"L" GASKET S/F H=16	3,00			--
0026	MPVR89143		OUTDISTANCED SINGLE-STAGE H=13MM	3,00			--
0027	GUGO28683		"L" GASKET W/O HOLES H=5,5	3,00			--
0028	FTDP38057		ANTINOISE TRIANGLE H=51	3,00			--
0029	FTDP28745		GASKET MTP/30 AU-AD 50X10X85	3,00			--
0030	MPVR28748		AUTOMATIC VALVE	3,00			--
0031	MPVR38059		BASE 600/400 W/STAT.PLATE BLACK	1,00			--



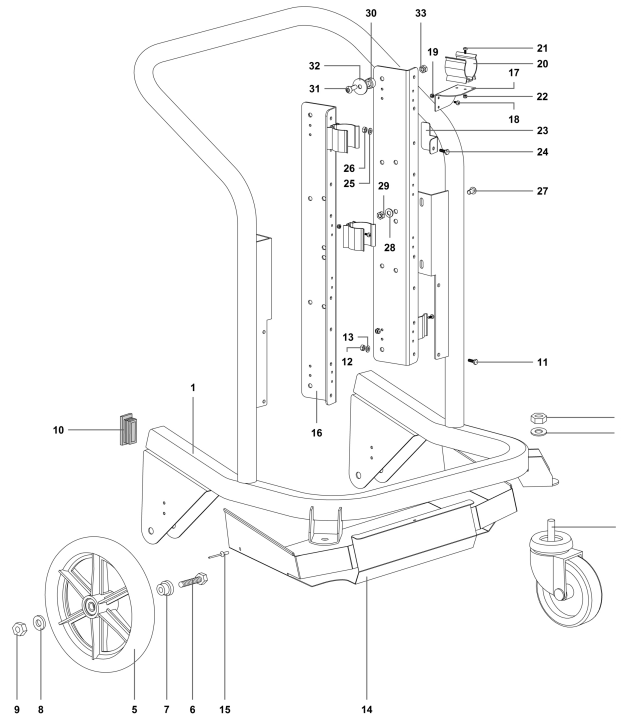
Ref. K	Part n.	Part n. 2	Description	Quantity	Validity		Price
					From	To	
0001	MPVR40590		NET ANTIFOAM BODY LOW	1,00			--
0002	GUVR40078		GASKET H3 DS50 W/ANTIFOAM BODY	1,00			--
0003	MPVR35796		BUSHING PLASTIC SLEEVE D.8	4,00			--
0004	VTVT36751		SCREW SCREW PAT TMT PHL 5X25	4,00			--
0005	FTDP00553		CARTRIDGE HEPA ALT.=125 H14	1,00			--
0006	MPVR28723		COMPL.RING FOR FILTER	1,00			--



Ref. K	Part n.	Part n. 2	Description	Quantity	Validity		Price
					From	To	
0001	MPVR35807		FILTER RING 400	1,00			--
0002	FTDP00290		FILTER 400 THREEPHASE-T452 NOVATES	1,00			--
0003	LAFN87490		BASKET 400 THREE-PHASE	1,00			--
0004	FSVR00148		CLAMP STRINGITUBO D.345-380	1,00			--
0005	PMVR04414		CAP D64 FILTERSHAKER PLANET	5,00			--
0006	VTVT01090		SCREW TE M 6X20 UNI 5739	1,00			--
0007	VTDD00230		SELF-LOCJ.NUT M 6 SMALL UNI 7474	1,00			--



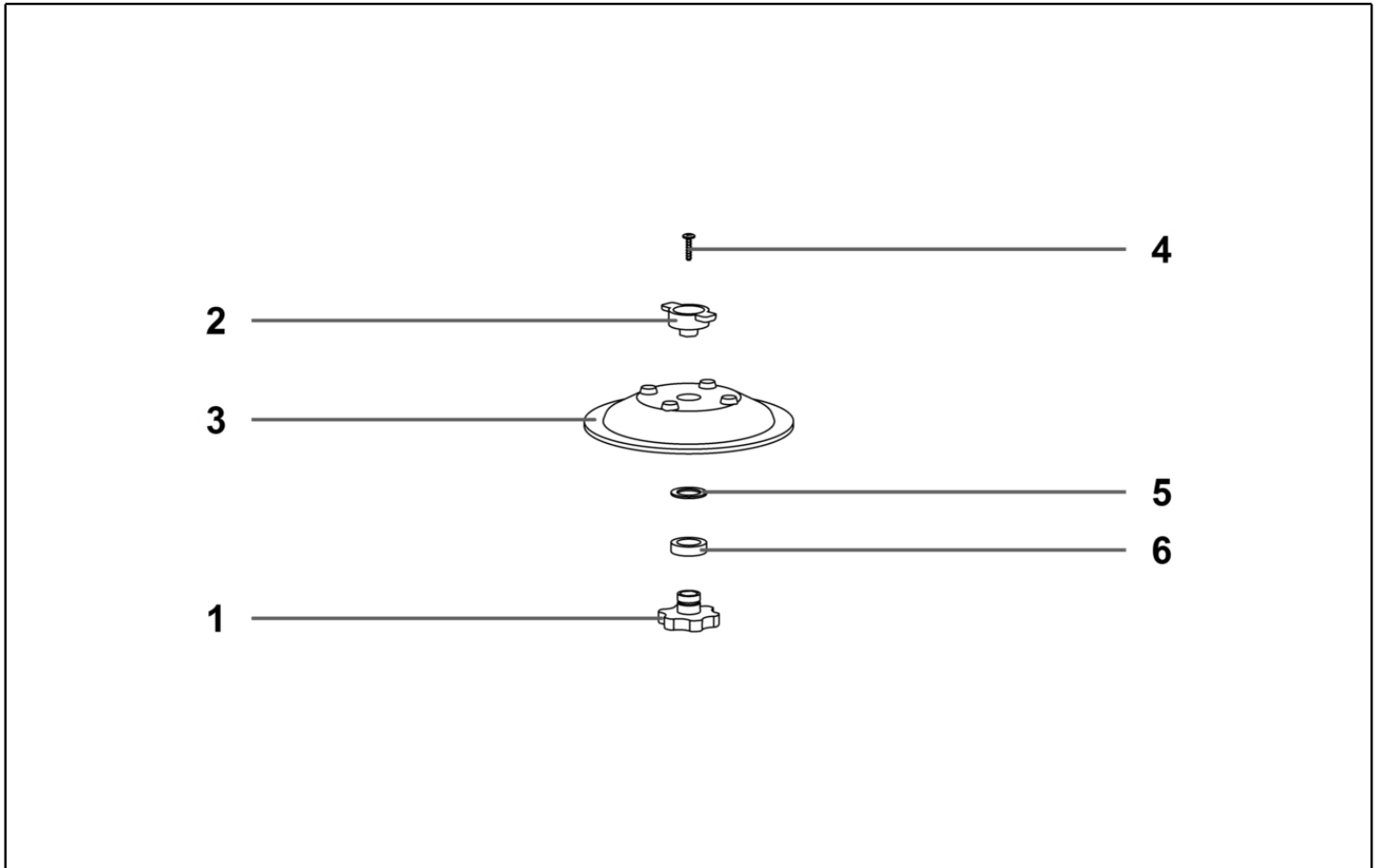
Ref. K	Part n.	Part n. 2	Description	Quantity	Validity		Price
					From	To	
0001	PMVR06246		DRUM CON CONO MAXIBAG 400 SC/F	1,00			--
0002	VTVR71991		RIVET 5X11	4,00			--
0003	CHVR40000		UNIVERSAL METAL HOOK	2,00			--
0004	MPVR28737		BLACK HANDLE	1,00			--
0005	VTVT71960		SCREW SCREW PAT TMT PHL 5X14 ZN	2,00			--
0006	MPVR07323		GASKET BOCCH. TANGENZIALE R205	1,00			--
0007	MFVR00281		PIPE UNION D60 TANG. ALL. COMP.	1,00			--
0008	VTRS00447		WASHER PVC 60SH D13.5X4.5 H=3	4,00			--
0009	VTVT01286		SCREW TE M 5X25 UNI5739 Z.B.	4,00			--
0010	VTDD71969		NUT NUT M 5	4,00			--
0011	VTVR37754		HANDLE M 10X65	1,00			--
0012	LAFN10820		LEVER SCUOTIFILTRO MAXIBAG	1,00			--
0013	MPVR88788		BELLOWS PROTECTION PLANET 200	1,00			--
0014	FSVR00074		CLIP 300X9	1,00			--
0015	VTVR71992		RIVET RIVET 4,8X17	4,00			--
0016	VTDD00230		SELF-LOCJ.NUT M 6 SMALL UNI 7474	1,00			--
0017	LAFN88787		BELLOWS HOLDER F/FILTERSHAKER	1,00			--
0018	MPVR06932		SPACER PLASTIC D.10 D.6,3X20	2,00			--
0019	VTVT01235		SCREW TE M 6X70 UNI 5737	1,00			--
0020	LAFN88792		DUMPING BASE BELT DRIVER M8 H=20	1,00			--
0021	VTDD00225		SELF-LOCJ.NUT M 8 SMALL UNI 7474	1,00			--
0022	VTVT01016		BOLT M 8X60	1,00			--
0023	VTDD71968		NUT M 8 UNI 5588	1,00			--
0024	GUGO88789		PLANET 100 SHAKER FILTER GASKET	1,00			--
0025	MPVR07325		BLACK GASKET CONE MAXIBAG	1,00			--
0026	FSVR00152		CLAMP 370X3,6	2,00			--
0027	LAFN09459		SUPPORT VALVE MAXIBAG	1,00			--
0028	LAFN09460		PLATE VALVE MAXIBAG	1,00			--
0029	VTVR71991		RIVET 5X11	2,00			--
0030	LAFN09461		COUNTERWEIGHT MAXIBAG VALVE	1,00			--
0031	FTDP28679		FILTER MTP/30 30X10X900	0,10			--
0032	VTVT01280		SCREW M4X50	2,00			--
0033	VTDD00256		SELF-LOCKING NUT M4 LOW	2,00			--
0034	LAFN09456		SUPPORT LONGOPAC MAXIBAG	1,00			--
0035	VTVT01095		SCREW TC CROSS M 4X12 UNI 7687	1,00			--
0036	PVVR00131		GENOVESE CHAIN GALV.N°14	0,18			--
0037	VTRS00397		WASHER M 5-5,3 D.E 11,5	1,00			--
0038	VTDD00256		SELF-LOCKING NUT M4 LOW	1,00			--
0039	LAFN09545		PIN OF STILL SUPPORT MAXIBAG	1,00			--
0040	MISC00025		BAG SPA. LONGPAC W/CLAMP	1,00			--
0041	CNPR00416		ELASTIC FOR MAXIBAG SUPPORT	1,00			--
0042	PMVR04930		WIRE COVER DRUM MAXIBAG 400	1,00			--



Ref. K	Part n.	Part n. 2	Description	Quantity	Validity		Price
					From	To	
0001	LAFN11453		FRAME OPTIM 600 SMALL VERNIC.	1,00	24/04/2019		--
0002	RTRT00455		WHEEL DIA.150 M12X35	2,00			--
0003	VTRS00394		WASHER M 12 UNI 6592	2,00			--
0004	VTDD72060		LOW SELF-LOCKING NUT M 12	2,00			--
0005	RTRT00480		WHEEL PU DIA.245X50	2,00			--
0006	VTVT01414		SCREW TE M12X75 UNI 5737 8.8 Z	2,00			--
0007	PVVR00381		SPACER RUOTA D.245 OPT SMALL	2,00			--
0008	VTRS00394		WASHER M 12 UNI 6592	4,00			--
0009	VTDD72060		LOW SELF-LOCKING NUT M 12	2,00			--
0010	MPVR06895		PLASTIC TOP 40X40	2,00			--
0011	VTVT01019		SCREW TE M 6X16 UNI 5739	2,00			--
0012	VTDD00222		NUT M 6 UNI 5588	2,00			--
0013	VTRS00400		WASHER M 6 UNI 6592	2,00			--
0014	LAFN11261		MAXIBAG PLANET TROLLEY PLATE	1,00			--
0015	VTVR00395		RIVET 4,8X15 INOX	3,00			--
0016	LAFN11262		PLATE FOOT	2,00			--
0017	LAFN11269		SUPPORT CLIP SPAZZOLA OPTIMAXIBAG	1,00			--
0018	VTVT01037		SCREW TC CROSS M 4X8 UNI 7687	2,00			--
0019	VTDD00256		SELF-LOCKING NUT M4 LOW	2,00			--
0020	MPVR11878		CLIP PORTA TUBO D.50	4,00			--
0021	VTVT01037		SCREW TC CROSS M 4X8 UNI 7687	8,00			--
0022	VTDD00256		SELF-LOCKING NUT M4 LOW	8,00			--
0023	LAFN11268		BRACKET X SPAZZOLA OPTIMAXIBAG	1,00			--
0024	VTVT01019		SCREW TE M 6X16 UNI 5739	1,00			--
0025	VTRS00400		WASHER M 6 UNI 6592	1,00	02/03/2018		--
0026	VTDD00222		NUT M 6 UNI 5588	1,00			--
0027	VTVT01392		SCREW TBEI 8X16 UNI 7380 INOX	2,00			--
0028	VTRS00396		WASHER M 8 UNI 6592	2,00			--
0029	VTDD71968		NUT M 8 UNI 5588	2,00			--
0030	MPVR06985		BUSHING CENTRAGGIO MOLLA FLEX	4,00			--
0031	VTVT01281		ALLEN SCREW TBEI M8X25ZB UNI7380	4,00			--
0032	VTVR72041		WASHER 8X32 UNI6593	4,00			--
0033	VTDD71968		NUT M 8 UNI 5588	4,00			--



Ref. K	Part n.	Part n. 2	Description	Quantity	Validity		Price
					From	To	
0001	GUVR40078		GASKET H3 DS50 W/ANTIFOAM BODY	1,00			--
0001	GUVR40078		GASKET H3 DS50 W/ANTIFOAM BODY	1,00			--



Ref. K	Part n.	Part n. 2	Description	Quantity	Validity		Price
					From	To	
0001	MPVR07254		KNOB RAPID ATTACK	1,00			--
0002	MPVR07253		HOOKING RAPID ATTACK	1,00			--
0003	MPVR06630		DISC FILTER SUPPORT	1,00			--
0004	VTVT71961		SCREW PFU TMT PHL 5X20 ZN NERA	1,00			--
0005	VTRS00418		WASHER P.P. 30X20X1,5	1,00			--
0006	VTRS00419		WASHER SPONGE RUBBER 30X20X8	1,00			--