

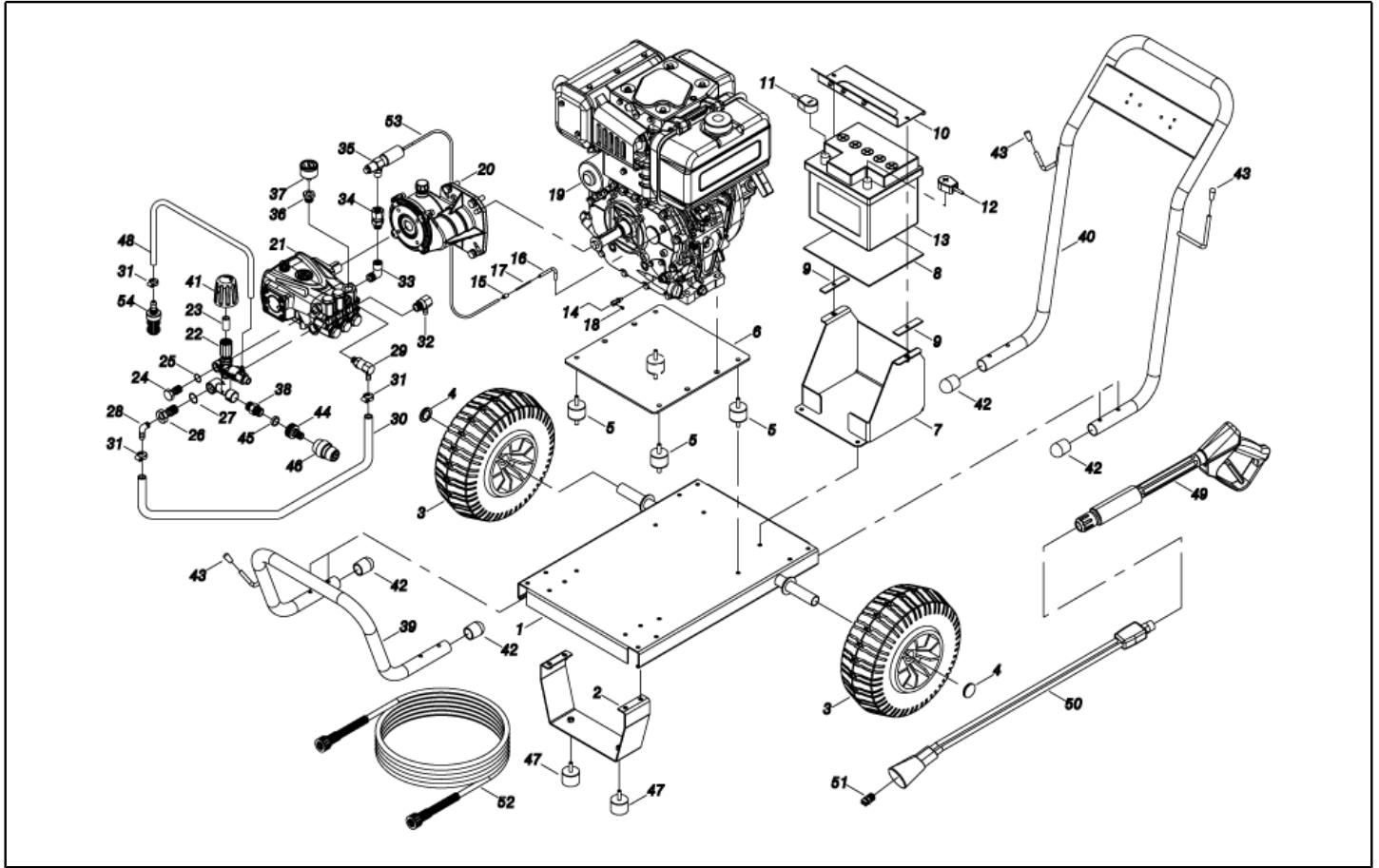


**IPC**

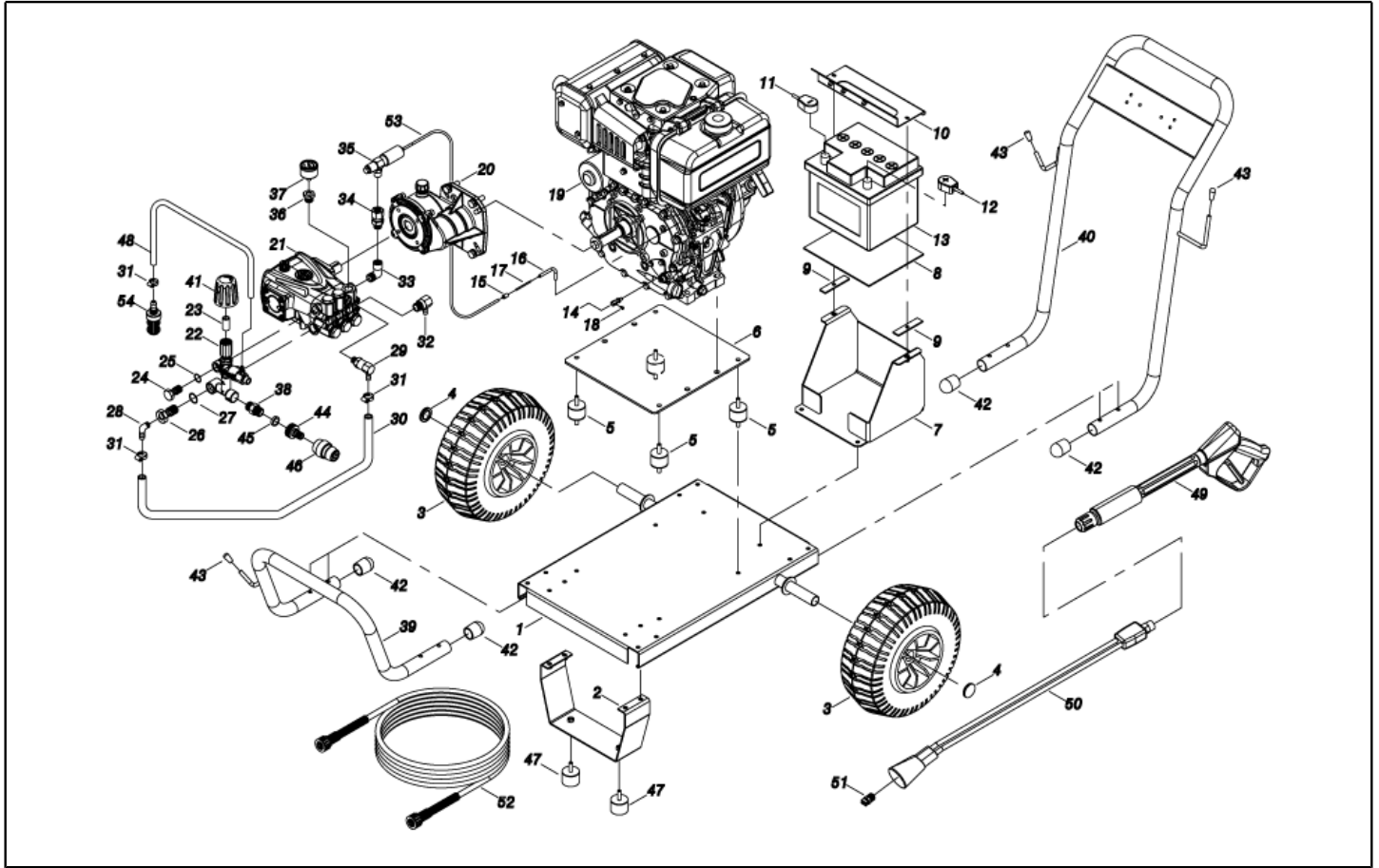
**Spare parts list**

Ref: IDAF40794

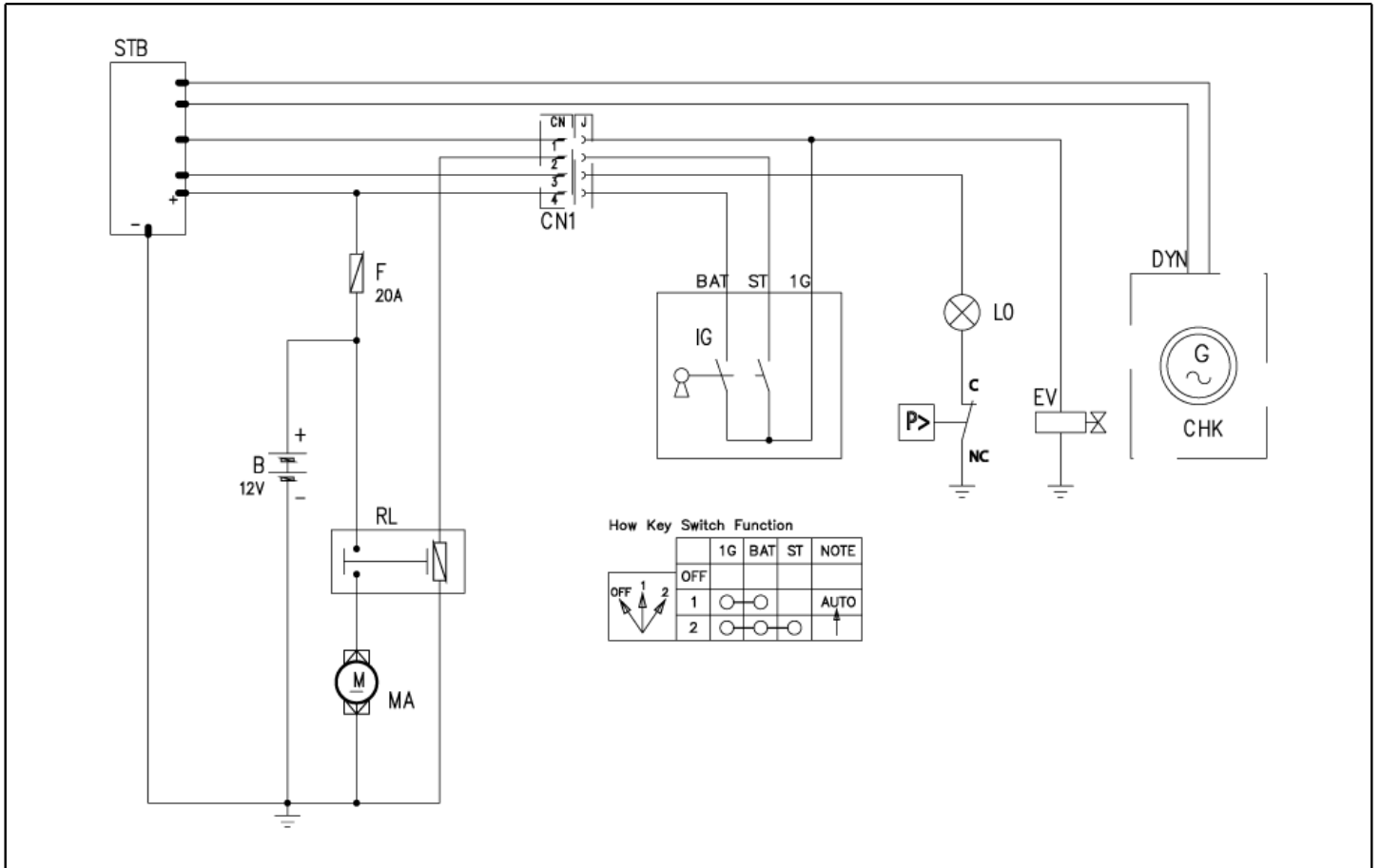
Model: H.P. CLEANER DIESEL-C L2017P D IPC



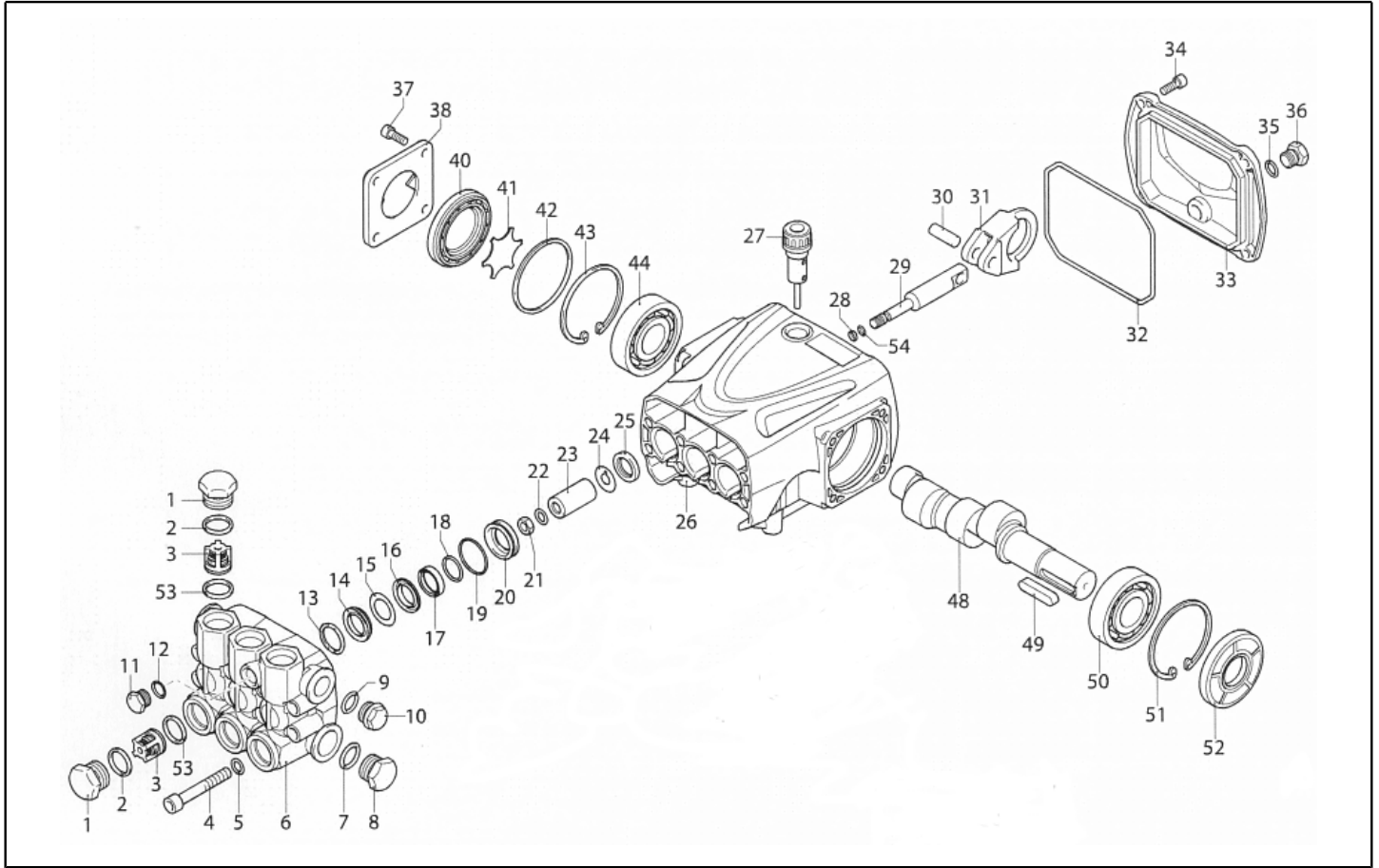
Ref. K	Part n.	Part n. 2	Description	Quantity	Validity		Price
					From	To	
0001	LAFN40819		CHASSIS DIESEL HP 10 BK.	1,00			--
0002	LAFN40181		FOOT BENZ HP 9-13	1,00			--
0003	RTRT40006		WHEEL D. 13.5"X 6/6 -D.25 PN.	2,00			--
0004	VTVR01268	00001268	HUB CAP D. 25	2,00			--
0005	ABGO00390	00000390	VIBRATION DAMP. 40X30- 2M8X25 -60+5SH	4,00			--
0006	LAFN40820		MOTOR PLATE DIESEL-C BK.	1,00			--
0007	LAFN40821		BATTERY SUPPORT DIESEL-C BK.	1,00			--
0008	MPVR40788		BATTERY RUBBER 210X178	1,00			--
0009	GUGO00409	00000409	JOINT 15X3	0,24			--
0010	LAFN40822		BRACKET DIESEL-C BK	1,00			--
0011	MECV40009		CABLE 1X25 N07V-K BK.9005	0,83			--
0011	MEVR02880	00002880	CLAMP NEG. 10/16MMQ D.I. 6.4MM	1,00			--
0011	MEVR17888	00017888	COWLING GRIS. BK.	1,00			--
0012	MECV40010		CABLE 1X25 N07V-K RD.3000	1,24			--
0012	MEVR00281	00000281	CLAMP POS. 10/16MMQ D.I. 6.4MM	1,00			--
0012	MEVR09359	00009359	COWLING GRIS. RSS	1,00			--
0013	BAAC06153	00006153	BATTERY 60 AH 12V 300A	1,00			--
0014	CMCV40006		REGISTER CH. 8X 5MAX31	2,00			--
0015	CMCV40008		BUSHING D. 6- 8 L=15 DIESEL	1,00			--
0016	LAFN40823		TUBE M.DIESEL YANM. INX	1,00			--
0017	TBBP40095		L.P. HOSE D. 2- 4 TEFLON	0,08			--
0018	CMCV40007		CLAMP VL 7 X 8 M 4	1,00			--
0019	MODS40000		MOTOR YANMAR L100N6 10HP	1,00			--
0020	RDGR40004		REDUCTION UNIT PA B18 HP 10-18 d.1'	1,00			--
0021	PPAP40058		PUMP RR 15.20 DX N	1,00			--
0022	VVAZ40029		VALVE VRF-2 AR-R AF I.2.1	1,00			--
0023	PVVR40273		ADAPTER VRF-2 RG.	1,00			--
0024	RCDS12495	00012495	SCREW G 3/8 L=48,5	1,00			--
0025	VTRS40026		WASHER 3/8 ZC + NBR 85SH	2,00	01/12/2015		--
0026	RCDS40228		SCREW G 1/2 -1/8F L=48,5 ZC	1,00			--
0027	VTRS40027		WASHER 1/2 ZC + NBR 85SH	2,00	01/12/2015		--
0028	RCVR89548		HOSE FITTING "L" 1/8M D.7 OT.NK	1,00			--
0029	VVSF26255	00026255	VALVE 1/4M	1,00			--
0030	TBCO06945	00006945	L.P. HOSE D. 6-12 10BAR C.PRESS	0,40			--
0031	FSVR00427	00000427	CLAMP D. 12 CLIC 66-110	2,00			--
0031	FSVR00427	00000427	CLAMP D. 12 CLIC 66-110	1,00			--
0032	VVSC40550	00040550	VALVE 1/2" 56°C	1,00			--
0033	RCVR76218	00076218	ELBOW 3/8" M/F A.P. OT.	1,00			--
0034	RCVR00563	00000563	SWIVEL RACCORD 3/8 M/F	1,00			--
0035	PIID40001		DECELERATOR TC ETC 5-360BAR 7MM 3/8M	1,00			--
0036	PVVR40175		CAP AR RR C/F. 1/8F+OR	1,00			--
0037	MNMN18650	00018650	PRESSURE GAUGE 0-300 D.40	1,00			--
0038	RCDS87610	00087610	NIPPLE 3/4 - 1/2 CB D.13.0	1,00			--
0039	LAFN40825		BUMPER DIESEL HP 10	1,00			--



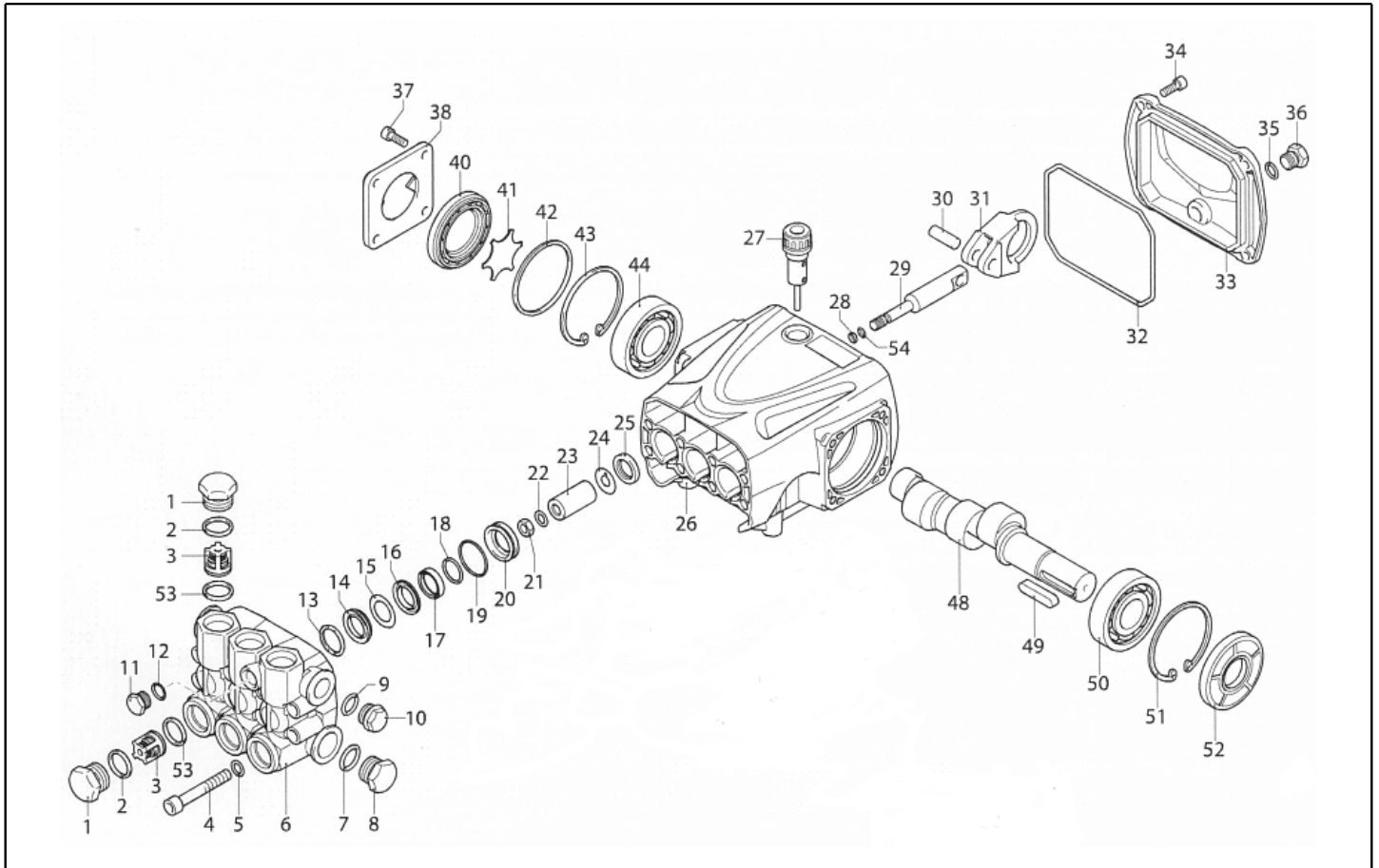
Ref. K	Part n.	Part n. 2	Description	Quantity	Validity		Price
					From	To	
0040	LAFN40827		HANDLE DIESEL HP 10	1,00			--
0041	MPVR40589		BLACK KNOB ST 260 IPC	1,00			--
0042	MPVR01697	00001697	PROD D.30 1.02.109	4,00			--
0043	MPVR32471	00032471	PROD D. 8 BK	3,00			--
0044	RCVR29602	00029602	CONNECTOR D. 1/2"-5/8" PTC	1,00			--
0045	FTDT12702	00012702	FILTER PA	1,00			--
0046	RCVR29600	00029600	SOCKET PTC 3/4 F	1,00			--
0047	MPVR60726	00060726	VIBRATION DAMP. TCC48X25- 1M8X16 60SH GMM	2,00			--
0048	TBBP00051	00000051	DETERGENT HOSE D. 6-12	1,50			--
0049	IPPR40010		GRIP G 5100+P.330 +M22 SW.M V	1,00			--
0050	LCPR40013		EXTENSION P 70 - HYPERJET 1/4F	1,00			--
0051	UGLN49987	00049987	NOZZLE LECH 1/4 15045	1,00			--
0052	TBAP25324	00025324	H.P. HOSE R1 MT 10 5/16" C/2 IRV ZC	1,00			--
0053	CMCV40005		CORD D. 1.5 x19 A.316	0,00			--
0054	FTDT04647	00004647	FILTER 3/8 F + PG	1,00			--



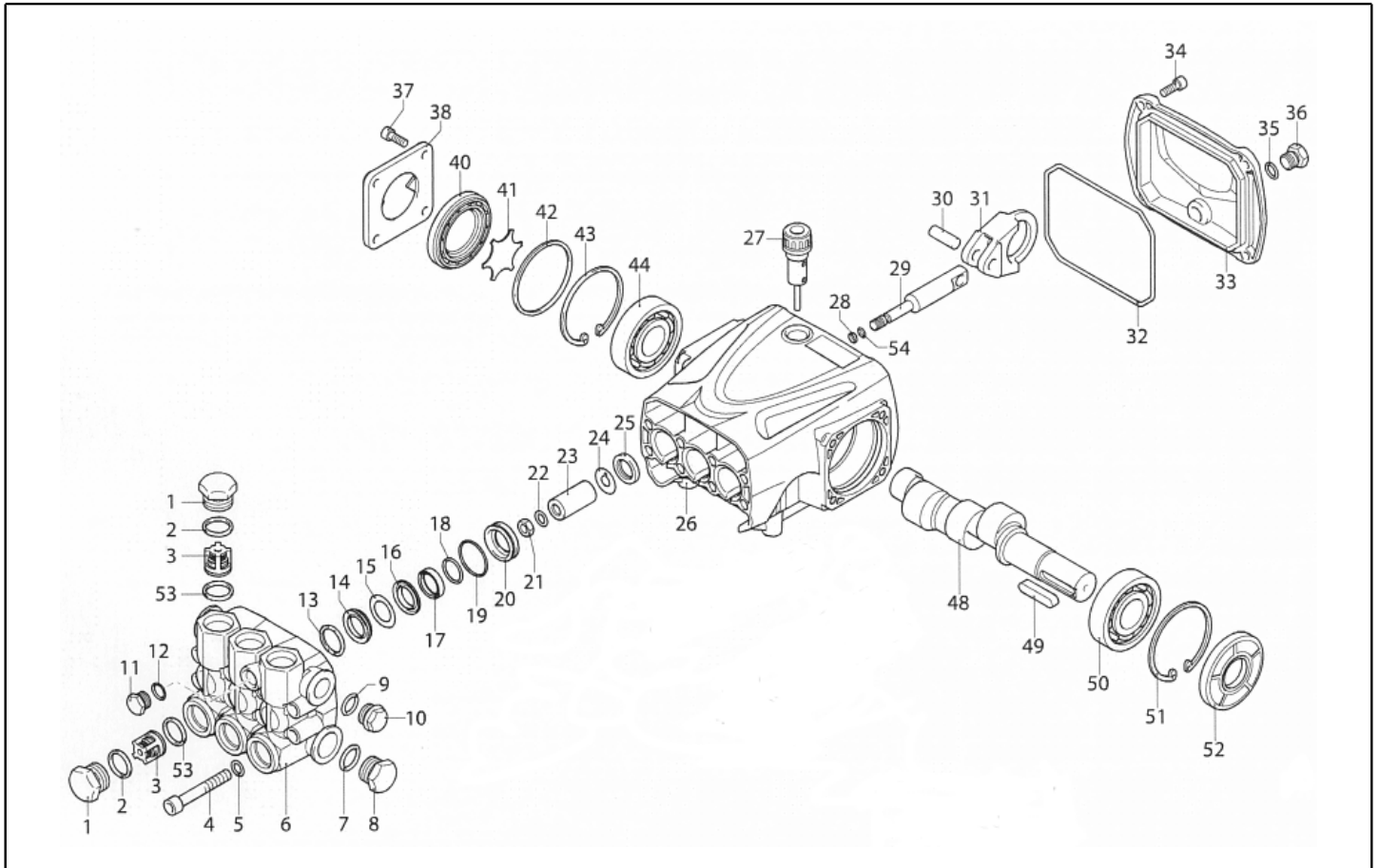
Ref. K	Part n.	Part n. 2	Description	Quantity	Validity		Price
					From	To	
CV1	MECB40331		WIRING YANM. 1X25 R/N	1,00			--



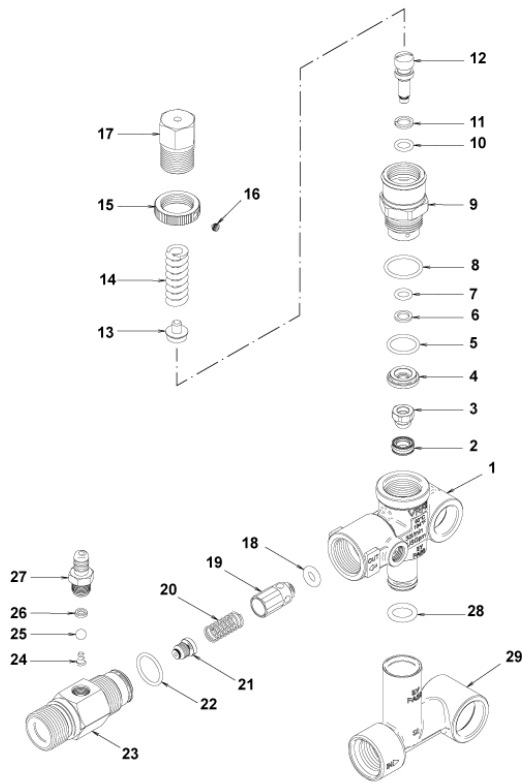
Ref. K	Part n.	Part n. 2	Description	Quantity	Validity		Price
					From	To	
0001	PVVR40161		CAP AR RR	6,00			--
0002	GUGO03502	00003502	O-RING D. 17.86 X 2.62 NBR 70SH	6,00			--
0003	S VVAM40003		VALVE UNIT RR	6,00			--
0004	VTVT63018		SCREW TCEI M 8X55 ZC U.5931	8,00			--
0005	VTRS14242	00014242	WASHER D. 8.4X13X0.8 UNI7064 SCH	8,00			--
0006	MFVR40028		HEAD AR RR OT.	1,00			--
0007	GUGO19245	00019245	O-RING D. 17.5 X 2 NBR 70SH	1,00			--
0008	PVVR40121		CAP 1/2 M RC	1,00			--
0009	GUGO09720	00009720	O-RING D. 14 X 1.78 NBR 70SH	1,00			--
0010	PVVR40099		CAP 3/8 M HRM	1,00			--
0011	PVVR40129		CAP 1/4 M RC	1,00			--
0012	GUGO01036	00001036	O-RING D. 10.82 X 1.78 NBR 70SH	1,00			--
0013	S PVVR40122		HEAD RING D. 18 RC	3,00			--
0014	S GUVR40035		PACKING D. 18 RC H.P.	3,00			--
0015	S GUVR40043		ANTI-EXTR.RING D.18X28	3,00			--
0016	S PVVR40162		INTERMED. RING D. 18 RR	3,00			--
0017	S GUVR40036		PACKING D. 18 RC L.P.	3,00			--
0018	S GUVR40037		ANTI-EXTR.RING D.21	3,00			--
0019	S GUGO19290	00019290	O-RING D. 23.52 X 1.78 NBR 70SH	3,00			--
0020	S PVVR40163		PACKING RETAIN. D. 18 RR	3,00			--
0021	VTDD00483	00000483	NUT M 8 ZIN UNI 5588	3,00			--
0022	VTRS19394	00019394	WASHER D. 8X13X0.5	3,00			--
0023	S PIVR40007		PISTON D.18 RR	3,00			--
0024	PVVR19233	00019233	DISC XTS	3,00			--
0025	S GUGO09690	00009690	OIL SEAL 15X 24X 5 NBR70	3,00			--
0026	MFVR40030		PUMP CRANKCASE AR RR	1,00			--
0027	PVVR19231	00019231	OIL CAP XTS	1,00			--
0028	GUGO08071	00008071	O-RING D. 4.48 X 1.78 NBR 70SH	3,00			--
0029	PVVR40176		PISTON GUIDE RR	3,00			--
0030	PVVR40178		GUDGEON D. 9 RR	3,00			--
0031	BLVR40002		CONNECTING ROD RR	3,00			--
0032	GUGO40017		O-RING D. 107.62 X 2.62 NBR 70SH	1,00			--
0033	MFVR40029		CRANKCASE COVER AR RR	1,00			--
0034	VTVT09913	00009913	SCREW TCEI 6X16 UNI5931	4,00			--
0035	GUGO01036	00001036	O-RING D. 10.82 X 1.78 NBR 70SH	1,00			--
0036	PVVR40129		CAP 1/4 M RC	1,00			--
0037	VTVT09913	00009913	SCREW TCEI 6X16 UNI5931	4,00			--
0038	MFVR40021		CRANKCASE COVER AR RC LT.	1,00			--
0040	PVVR40179		OIL INDICATOR RR	1,00			--
0041	PVVR40125		DISC RC	1,00			--
0042	GUGO09030	00009030	O-RING 56X82 X2.62 - NBR	1,00			--
0043	VTAE10405	00010405	CIRCLIP D. 62 UNI 7437	1,00			--
0044	CUVR09654	00009654	BALL BEARING 6305	1,00			--
0048	ALMO40012		SHAFT AR RR 15LT VRS. N	1,00			--



Ref. K	Part n.	Part n. 2	Description	Quantity	Validity		Price
					From	To	
0049	VTVR41531	00041531	KEY 8X 7X35 UNI 6604A	1,00			--
0050	CUVR09654	00009654	BALL BEARING 6305	1,00			--
0051	VTAE10405	00010405	CIRCLIP D. 62 UNI 7437	1,00			--
0052	S GUGO40018		OIL SEAL 25X 62X 8 NBR70	1,00			--
0053	S GUGO02259	00002259	O-RING D. 15.54 X 2.62 NBR 70SH	6,00			--
0054	GUVR40044		ANTI-EXTR.RING D. 5 X 8 X1	3,00			--

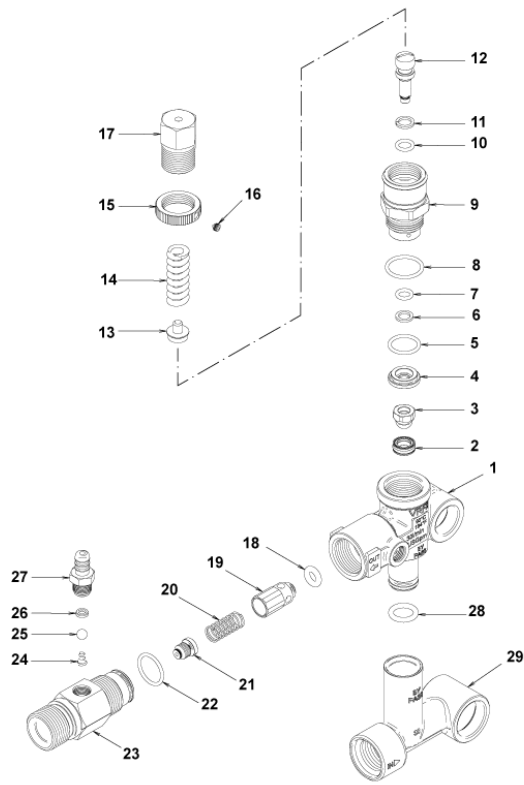


Ref. Part n.	Cust. part n.	Description	Reference	Price
KTRI40142		KIT P 15-42909 RR	0003 0053	--
KTRI40143		KIT P 15-42904 D.18 RR	0023	--
KTRI40144		KIT P 15-42922 RR	0025 0052	--
KTRI40145		KIT P 15-42924 D.18 RR	0014 0015 0017 0018 0019	--
KTRI40095		KIT P 15-42903 D.18 RC	0013	--
KTRI40146		KIT P 15-42923 D.18 RR	0016 0020	--

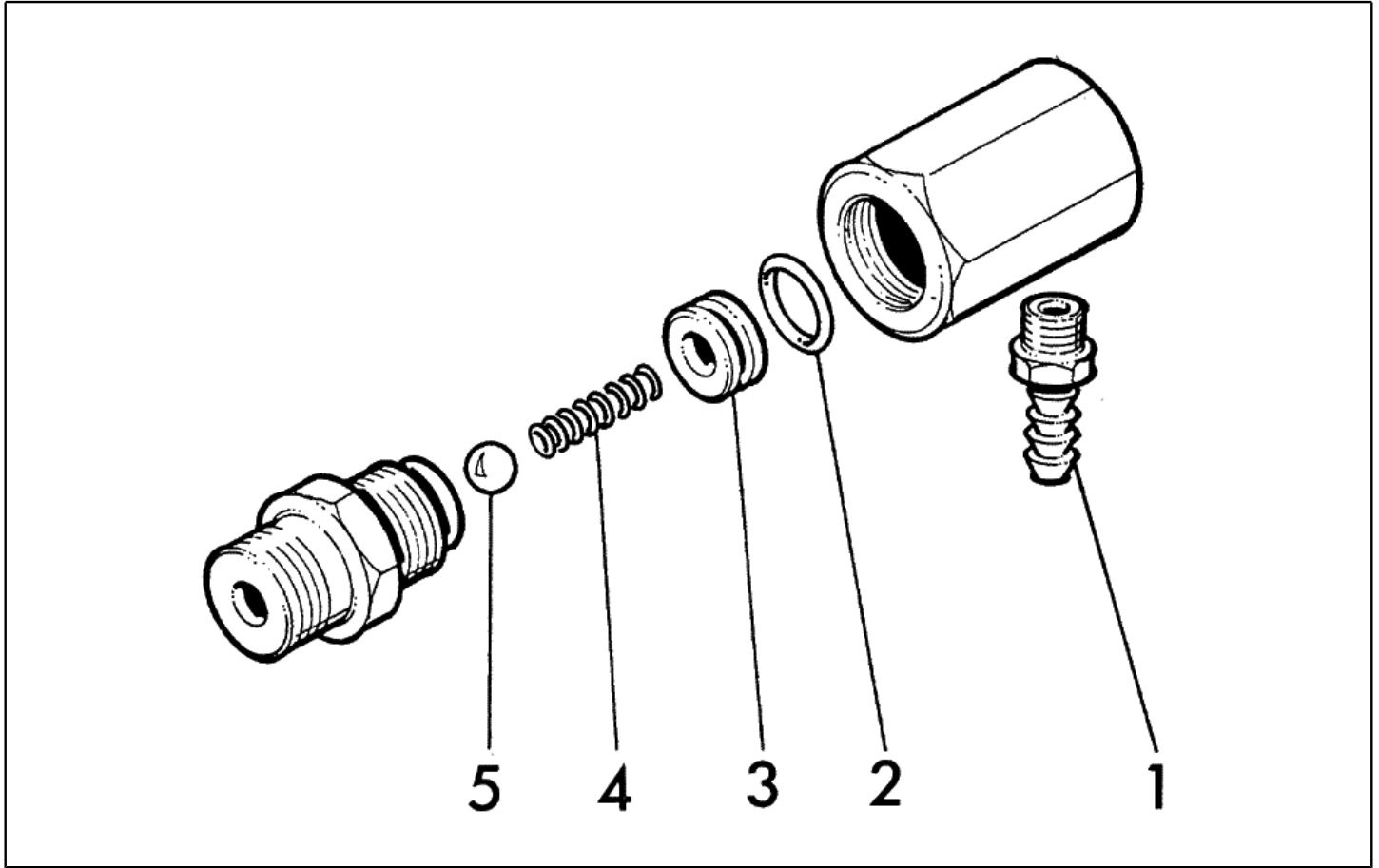


Ref. K	Part n.	Part n. 2	Description	Quantity	Validity		Price
					From	To	
0001	PVVR40375		VALVE BODY VRF2 +G1/8 F	1,00			--
0002	S PVVR40363		VALVE SEAT MV124 +OR	1,00			--
0003	S PVVR40364		COUPLING MV124	1,00			--
0004	S PVVR40365		SPACER MV124	1,00			--
0005	S GUGO12322	00012322	O-RING D. 14 X 1.78 NBR 90SH	1,00			--
0006	S GUVR40072		ANTI-EXTR.RING D. 6.5X 9.4	1,00			--
0007	S GUGO83861		O-RING D. 6.07 X 1.78 NBR 90SH	1,00			--
0008	S GUGO24913	00024913	O-RING D. 17.17 X 1.78 NBR 90SH	1,00			--
0009	S PVVR40366		CONNECTOR VRF2 D.10	1,00			--
0010	S GUGO03500	00003500	O-RING D. 6.75 X 1.78 NBR 70SH	1,00			--
0011	S GUVR40073		ANTI-EXTR.RING D. 7.1X10 X1.2 TBT	1,00			--
0012	S PVVR40367		SMALL PISTON D.10 VRF2	1,00			--
0013	PVVR40368		SPRING PLATE MV124 25B	1,00			--
0014	MLML40027		SPRING D. 3.0/6.0 X38.85	1,00			--
0015	PVVR40369		RING NUT MV167.09	1,00			--
0016	VTVT89696		SCREW EI-ST 4X 4 UNI5927 ZC	1,00			--
0017	PVVR40370		CAP VRF2 M18X1	1,00			--
0018	S GUGO46053	00046053	O-RING D. 6 X 3 NBR 90SH	1,00			--
0019	S PVVR40349		COUPLING VRT3	1,00			--
0020	S MLML40026		SPRING VRT3	1,00			--
0021	S UGEI40010		NOZZLE D. 2.1 VRF-2	1,00			--
0022	S GUGO12321	00012321	O-RING D. 15.6 X 1.78 NBR 90SH	1,00			--
0023	S PVVR40376		METERING. BODY VRF-2 M22 M	1,00			--
0024	S MLML47996	00047996	SPRING D. 5.5	1,00			--
0025	S SFVR40001		BALL D. 7/32" AISI 316/L	1,00			--
0026	S PVVR47994	00047994	BALL SEAT MV 625	1,00			--
0027	S PVVR40014		HOSE FITTING P237-MV	1,00			--
0028	GUGO11225	00011225	O-RING D. 10.78 X 2.62 NBR 70SH	1,00			--
0029	PVVR40373		CONNECTOR VRF2.24	1,00			--

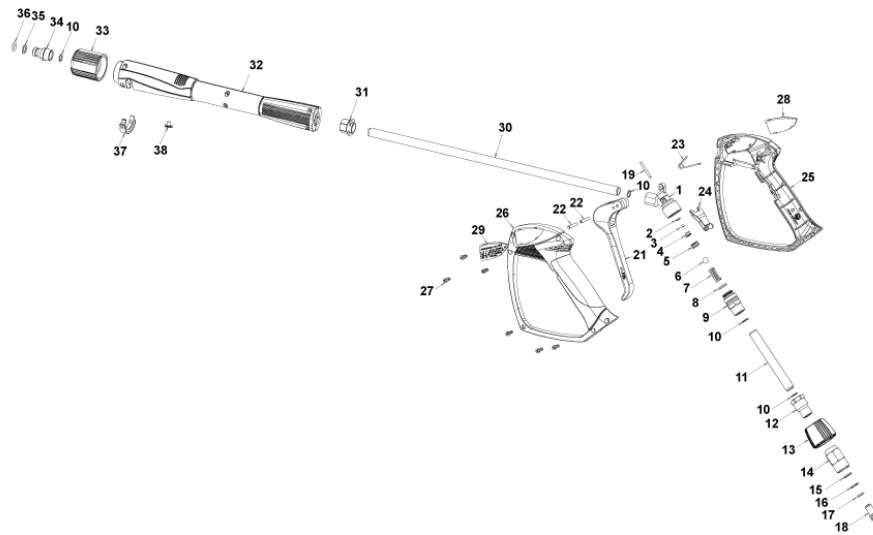




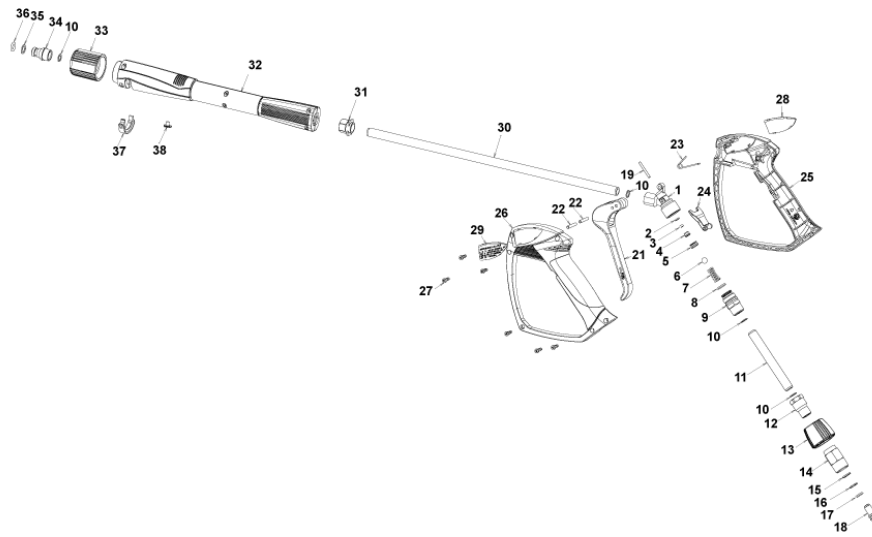
Ref. Part n.	Cust. part n.	Description	Reference	Price
KTRI40236		KIT P 14-103 VRF2	0002 0003 0004 0005 0006 0007 0008 0009 0010 0011 0012 0018 0019 0020 0021 0022	--
KTRI40237		KIT P 14-104 SEAL VRF2	0002 0003 0005 0006 0007 0008 0010 0011 0018 0021 0022	--
KTRI40259		KIT P 14-106 VRF2 I.2.1	0018 0019 0020 0021 0022 0023 0024 0025 0026 0027	--



Ref. K	Part n.	Part n. 2	Description	Quantity	Validity		Price
					From	To	
0001	PVVR13410	00013410	HOSE FITTING 1/8" D.3-8 VSP180	1,00			--
0002	GUGO19194	00019194	O-RING D. 11.11 X 1.78 NBR 70SH	1,00			--
0003	PVVR06978	00006978	SEAT D.7 +OR	1,00			--
0004	MLML26033	00026033	SPRING D. 6.2X21 X0.8	1,00			--
0005	SFVR06779	00006779	BALL INOX 11/32	1,00			--



Ref. K	Part n.	Part n. 2	Description	Quantity	Validity		Price
					From	To	
0001	PVVR40381		GUN BODY G 5100 G1/4F	1,00			--
0002	S	GUVR40074	ANTI-EXTR.RING D. 3 X 7.4X1.3	1,00			--
0003	S	GUGO21835	00021835	O-RING D. 2.84 X 2.62 VIT. 80SH	1,00		--
0004	PVVR40382		PISTON GUIDE G 5100	1,00			--
0005	S	PVVR40112	BALL SEAT G 5000	1,00			--
0006	S	SFVR27026	00027026	BALL D.11/32" INX	1,00		--
0007	MLML40016		SPRING D. 9.4 x21.5x1.6 G5000	1,00			--
0008	GUGO12322	00012322	O-RING D. 14 X 1.78 NBR 90SH	1,00			--
0009	PVVR40383		CONNECTOR COLL.G5100 1/4F	1,00			--
0010	VTRS40017		WASHER D. 8.2X11,4X1.00	4,00			--
0011	PVVR40384		TUBE G 1/4" L.105	1,00			--
0012	RCIN40022		CONNECTOR SWIV G5100 1/4F	1,00			--
0013	MPVR40486		RING NUT G 5100 SW. GR.	1,00			--
0014	RCIN40021		JOINT SWIV 5100 M22	1,00			--
0015	S	GUVR40075	ANTI-EXTR.RING D. 10 X14X1.5	1,00			--
0016	S	GUVR40076	ANTI-EXTR.RING D. 11.2X14X1.2	1,00			--
0017	S	GUGO15295	00015295	O-RING D. 10.82 X 1.78 VIT 75SH	1,00		--
0018	PVVR40386		SCREW SW. G 5100	1,00			--
0019	PVVR40387		SMALL PISTON G 5100	1,00			--
0021	MPVR40487		TRIGGER G 5100-SW	1,00			--
0022	VTVR40047		PLUG D. 4X29	2,00			--
0023	MLML40029		SPRING G 5100	1,00			--
0024	MPVR40488		SAFETY-DEVICE G 5100-SW	1,00			--
0025	MPVR40489		SHELL G 5100-SW DX	1,00			--
0026	MPVR40490		SHELL G 5100-SW SX	1,00			--
0027	VTVT40043		SCREW AF 4X 14 HILO ZN.N	6,00			--
0028	MPVR40491		PLATE G 5100 GR.DX	1,00			--
0029	MPVR40492		PLATE G 5100 GR.SX	1,00			--
0030	LCPR40086		TUBE 1/4 L=420 ZC. 0°	1,00			--
0031	MPVR40493		CONNECTOR G 5100-SW	1,00			--
0032	MPVR40494		PROTECTION P 420 C/AN.	1,00			--
0033	PVVR40119		CONNECTION M22X1.5 IRV G5000	1,00			--
0034	RCIN40009		GUDGEON G 1/4 F IRV G5000	1,00			--
0035	GUVR40034		ANTI-EXTR.RING D. 10 X14	1,00			--
0036	GUGO01946	00001946	O-RING D. 9.13 X 2.62 VIT 70SH	1,00			--
0037	MPVR40495		CAP G 5100 REM.	1,00			--
0038	MPVR40198		CAP G 5000	1,00			--



Ref. Part n.	Cust. part n.	Description	Reference	Price
KTRI40242		KIT P 26- 25 G 5100	0002 0003 0005 0006	--
KTRI40243		KIT P 26- 26 SWIVEL G 5100	0015 0016 0017	--