

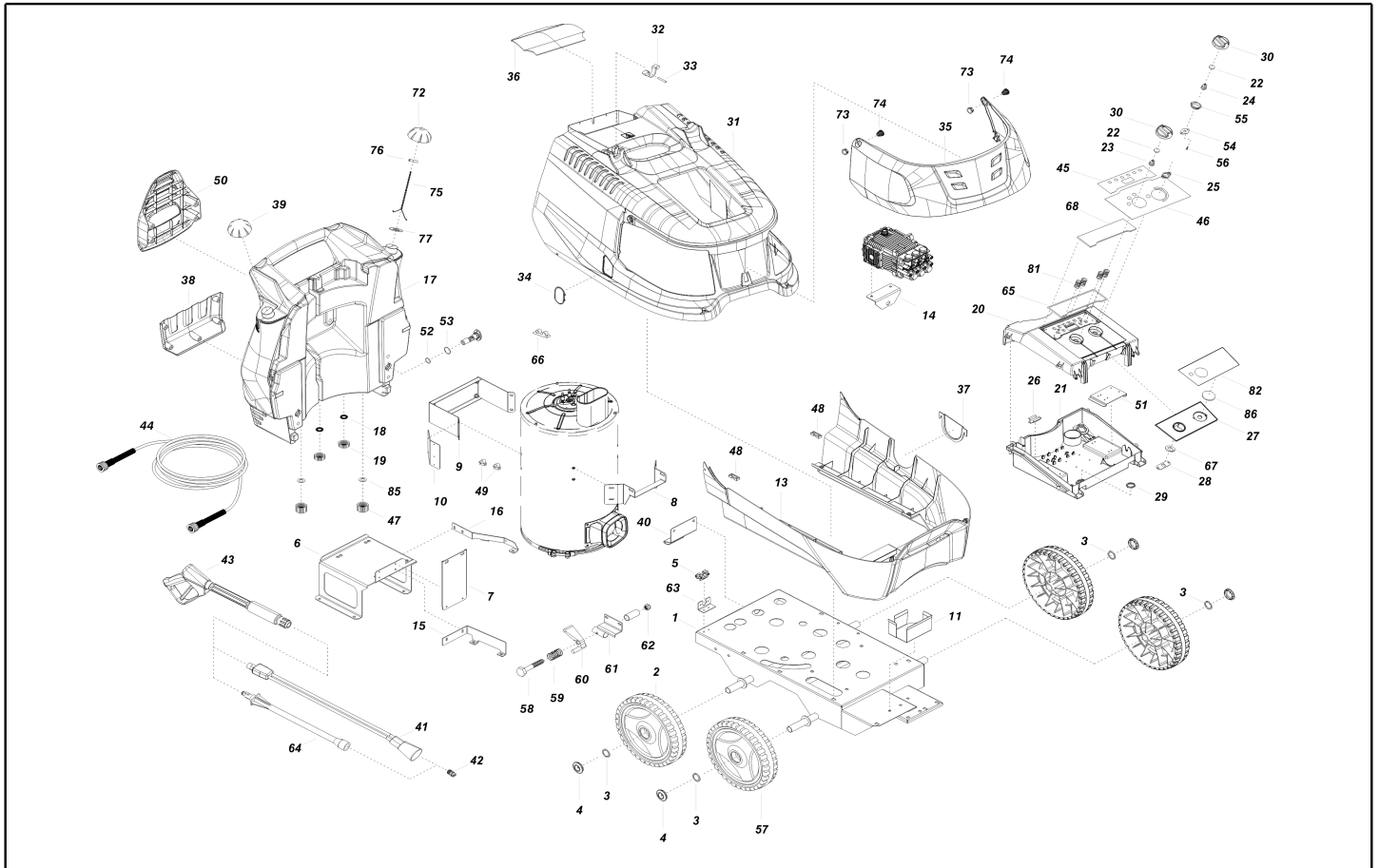


IPC

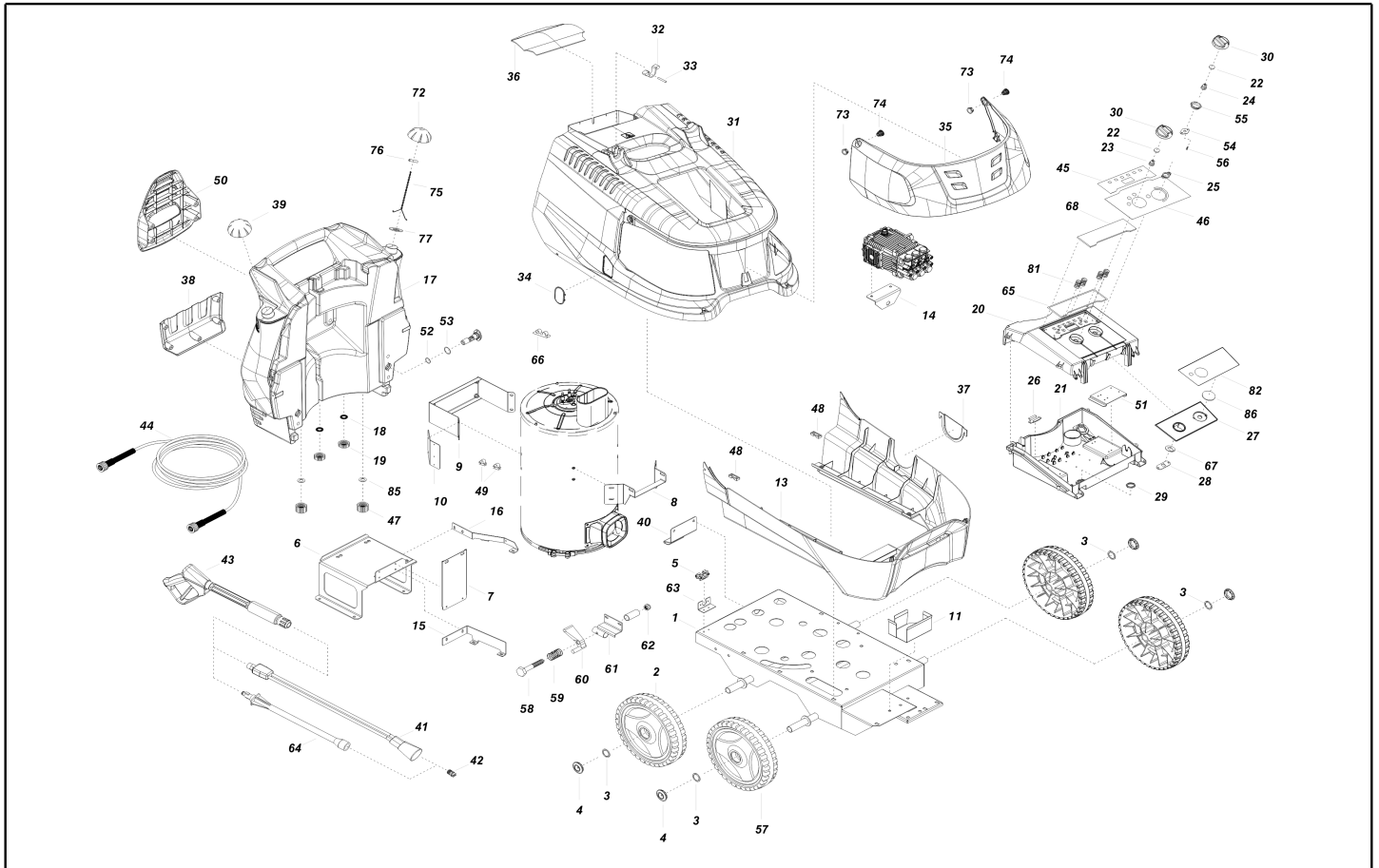
Spare parts list

Ref: IDAC41524

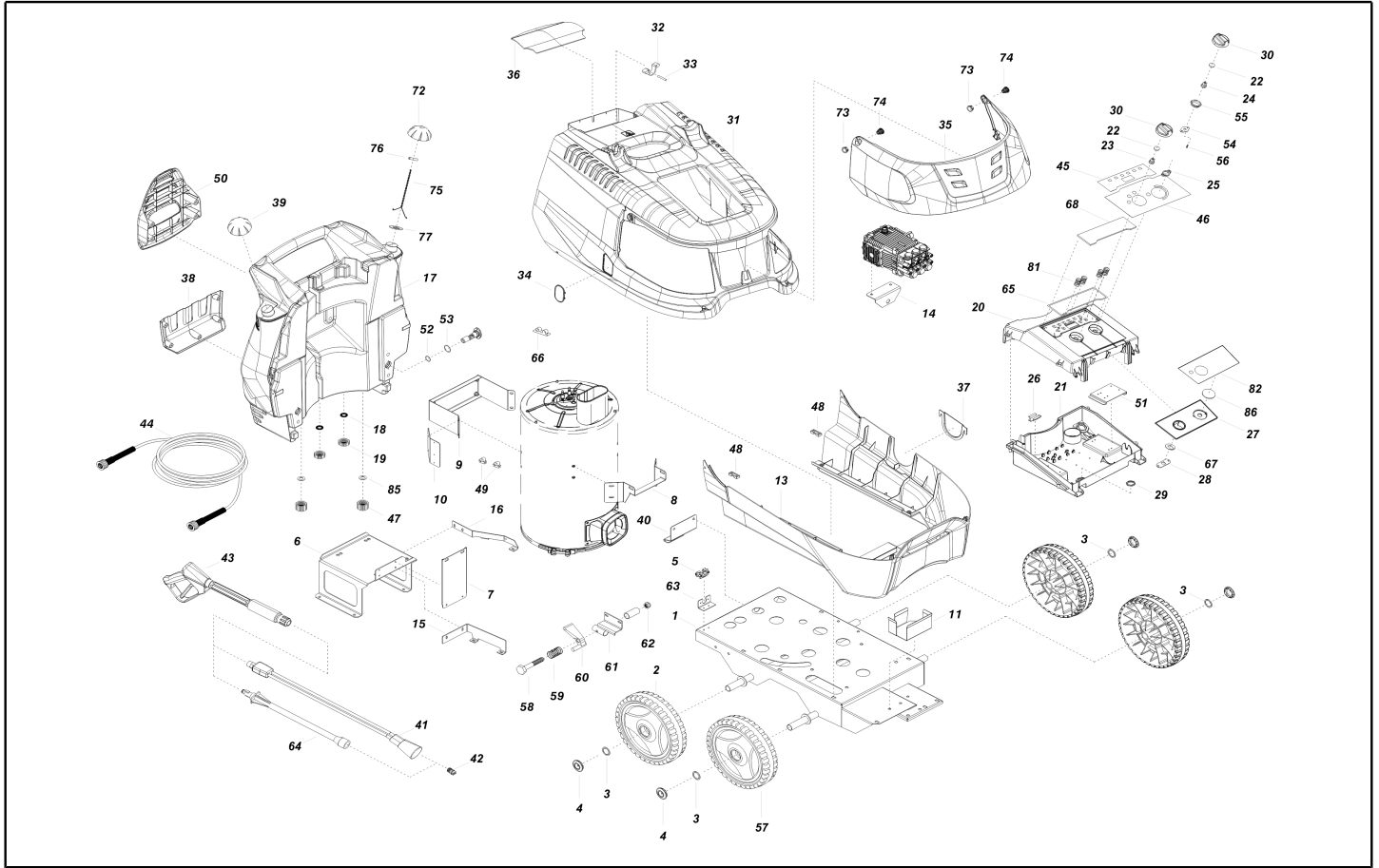
Model: H.P. CLEANER PW-H101/4P D2515PT400/50N



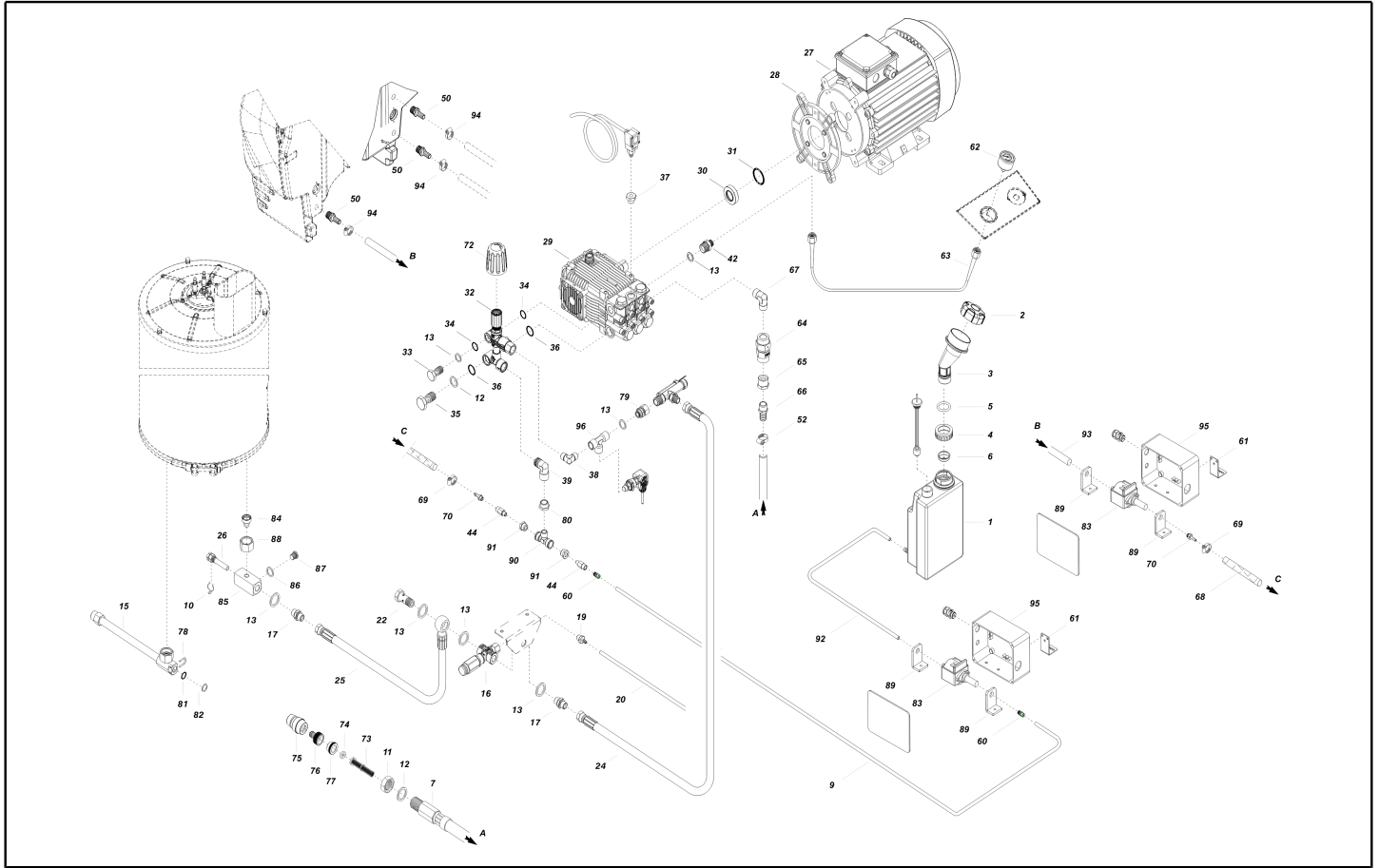
Ref. K	Part n.	Part n. 2	Description	Quantity	Validity		Price
					From	To	
0001	LAFN41360		TROLLEY PW-H101/4W BK.	1,00			--
0002	RTRT40066		WHEEL D.300-D.25 FLY-IPC/2 GRN	2,00			--
0003	VTRS09813		WASHER D.25	4,00			--
0004	MPVR40734		HUB CAP D.50 G-48/IPC GR.368C	4,00			--
0006	LAFN40752		MOTOR SUPPORT PW-H100 ZC.	1,00			--
0007	LAFN41370		SUPPORT PW-H101 AN.ZC.	1,00	01/06/2023		--
0008	LAFN41371		SUPPORT PW-H101 PS.ZC.	1,00	01/06/2023		--
0009	LAFN40835		BRACKET PW-H35 PM.2 ZC	1,00			--
0010	LAFN41320		SUPPORT BRACKET PW-H100 30.ZC.	1,00			--
0011	LAFN40746		SUPPORT BRACKET PW-H100 ZC.	1,00			--
0013	MPVR41220		BLACK COVER PW-H101 INF.PP	1,00			--
0014	LAFN40747		VALVE BRACKET SIC. PW-H100 ZC	1,00			--
0015	LAFN40751		SUPPORT BRACKET PW-H100 LAT.	1,00			--
0016	LAFN40749		SUPPORT BRACKET PW-H100 ANT.	1,00			--
0017	MPVR41248		TANK PW-H101 PI. PEHD BK.	1,00			--
0018	GUGO11489		GASKET D.22X1,5	2,00			--
0019	PVVR11806		DISCHARGE CAP FLL	2,00			--
0020	MPVR41257		BOX COVER PW-H Plus ABS BK.	1,00			--
0021	MPVR41268		CONTROL BOX PW-H101/61 PLUS C/F ABS	1,00			--
0022	GUGO25527		O-RING D. 14 X 3 NBR 70SH	2,00			--
0023	MPVR23482		TAIL PIECE TEC. TUV	1,00			--
0024	S MPVR40843		TAIL PIECE THERM.PW-H PL.	1,00	01/11/2016		--
0025	S MPVR41903		THICKNESS TERM.IM.PA66	1,00			--
0026	LAFN46067		SUPPORT L.60 P176	2,00			--
0027	MPVR40542		ANT. PANEL PW-H35 ABS BK.	1,00			--
0028	LAFN40922		JUNCTION BOARD PW-H35 D.14 ZC.	1,00			--
0030	MPVR49057		BLACK KNOB P176-M.RACE PA6	2,00			--
0031	MPVR41232		GREEN COVER PW-H101 SUP. PP GR.368C	1,00			--
0032	MPVR40485		RUBBER PW-H35 15-20BK.	1,00			--
0033	MPVR40534		PIN PW-H35 PP BK.	2,00			--
0034	MPVR41237		DOOR PW-H101 PPL NT.	1,00			--
0035	MPVR41225		DOOR PW-H61 PPL NERO	1,00			--
0036	MPVR41236		DOOR PW-H101 PT.PPL BK.	1,00			--
0037	MPVR40532		DOOR PW-H35 PPL BK.INF.	1,00			--
0037	ETET41550		LABEL PW-H FOMA IDRAUL.	1,00			--
0038	MPVR40533		TOOL HOLDER PW-H35 PP BK.	1,00			--
0039	MPVR45426		TANK CAP P176 PEHD	1,00			--
0040	LAFN40609		FOOT PW-H35/4W	1,00			--
0041	LCLC40033		LANCE LDP-L35 585P2+AR3-4 +1/4F	1,00			--
0042	UGLN49986		NOZZLE LECH 1/4 1504	2,00			--
0043	IPIP40022		GRIP G 6000+AT.AR4-K +S.W.M 2V.	1,00			--
0044	TBAP44379		H.P. HOSE R1 MT 20 5/16" C/2 IRV ZC	1,00			--
0045	ETET41548		LABEL PW-H101 PLUS SUP.	1,00			--
0046	ETET41571		LABEL PW-H101/61 PLUS INF.	1,00			--



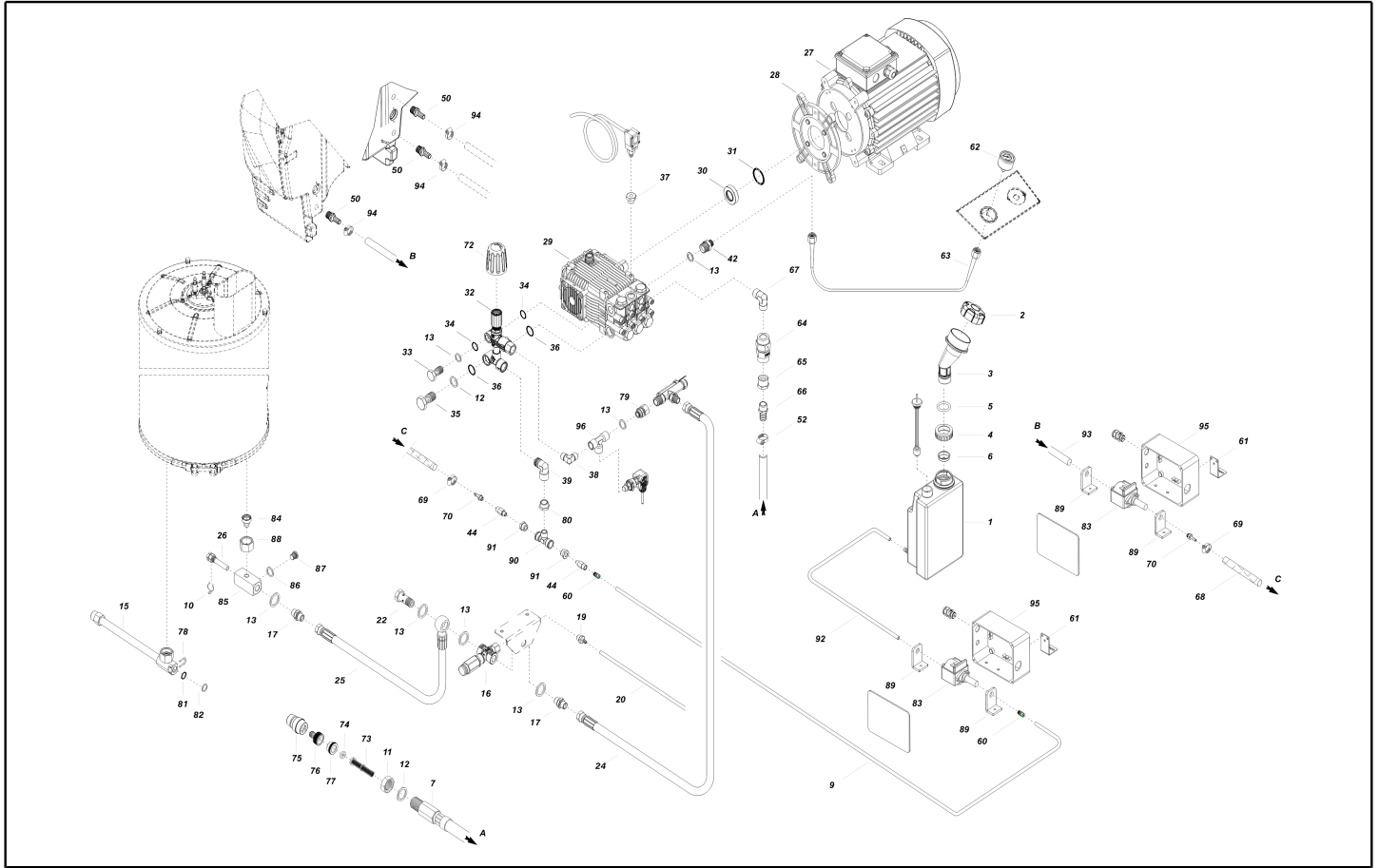
Ref. K	Part n.	Part n. 2	Description	Quantity	Validity		Price
					From	To	
0047	MPVR20187		RING NUT M 39 X 3	2,00			--
0048	MPVR28554		CABLE FASTNER ELT	2,00			--
0049	MEVR40294		CLIP HE.TYTON	2,00		30/06/2023	--
0050	MPVR40701		HOSE SUPPORT PW-H35 PP BK.	1,00			--
0051	LAFN41364		SUPPORT BRACKET PW-H/Pls ZC.	1,00			--
0052	GUGO01056		O-RING D. 18.72 X 2.62 NBR 70SH	2,00			--
0053	GUGO01197		O-RING D. 22.22 X 2.62 NBR 70SH	2,00			--
0054	S LAFN40763		PLATE PW-H28 POT. IX	1,00			--
0055	S LAFN40916		BUSHING D. 6- 9 L= 8 BZ.SINT.	1,00	01/11/2016		--
0056	S VTVR40014		PIN CH. 7 X 10 M4M/M4F NIK.	2,00			--
0057	RTRT40068		WHEEL D.250-D.25X 65 IPC/2 GRN	2,00			--
0058	VTVT14480		SCREW TE M 8X80 ZINC. UNI	1,00			--
0059	MLML11917		SPRING D. 14.5 X24 X2.2	1,00			--
0060	MPVR40751		TRIGGER H28/4W	1,00			--
0061	LAFN40762		BRACKET PW-H50/4W BK.	1,00			--
0062	VTDD00492		NUT M 8 ZINC	1,00			--
0064	LCPR40207		LANCE TRB.TPR-255+L 35+AR3 040	1,00			--
0065	GUGO40120		GASKET 248x 75 x2 POR300/60	1,00			--
0066	MEVR40326		CLIP D. 6.00 DB. BK	2,00	01/07/2023		--
0066	MEVR40027		CLIP D. 6.35 DB.	2,00		30/06/2023	--
0067	LAFN40921		PLATE PW-H35 D.14 ZC.	1,00			--
0068	MPVR41253		PROTECTION PW-H PLUS POLIC.	1,00			--
0072	MPVR40401		TANK CAP P176 PEHD BL. C/F.	1,00			--
0073	MPVR41230		PIN PW-H61 INT.PP BK	2,00			--
0074	MPVR41229		PIN PW-H61 EST.PP BK	2,00			--
0075	VTVR40026		SMALL CHAIN 13MG. INX L=220 G.V-MSC.	1,00			--
0076	LAFN40498		PIN D. 6 X 12-15 IX	1,00			--
0081	MLML00518		SPRING TOUCH CT5	4,00			--
0085	GUGO40074		O-RING D. 37.47 X 5.34 NBR 70SH	2,00	01/06/2023		--
0086	MPVR40924		CAP PW-H35 PVC.BK	1,00			--



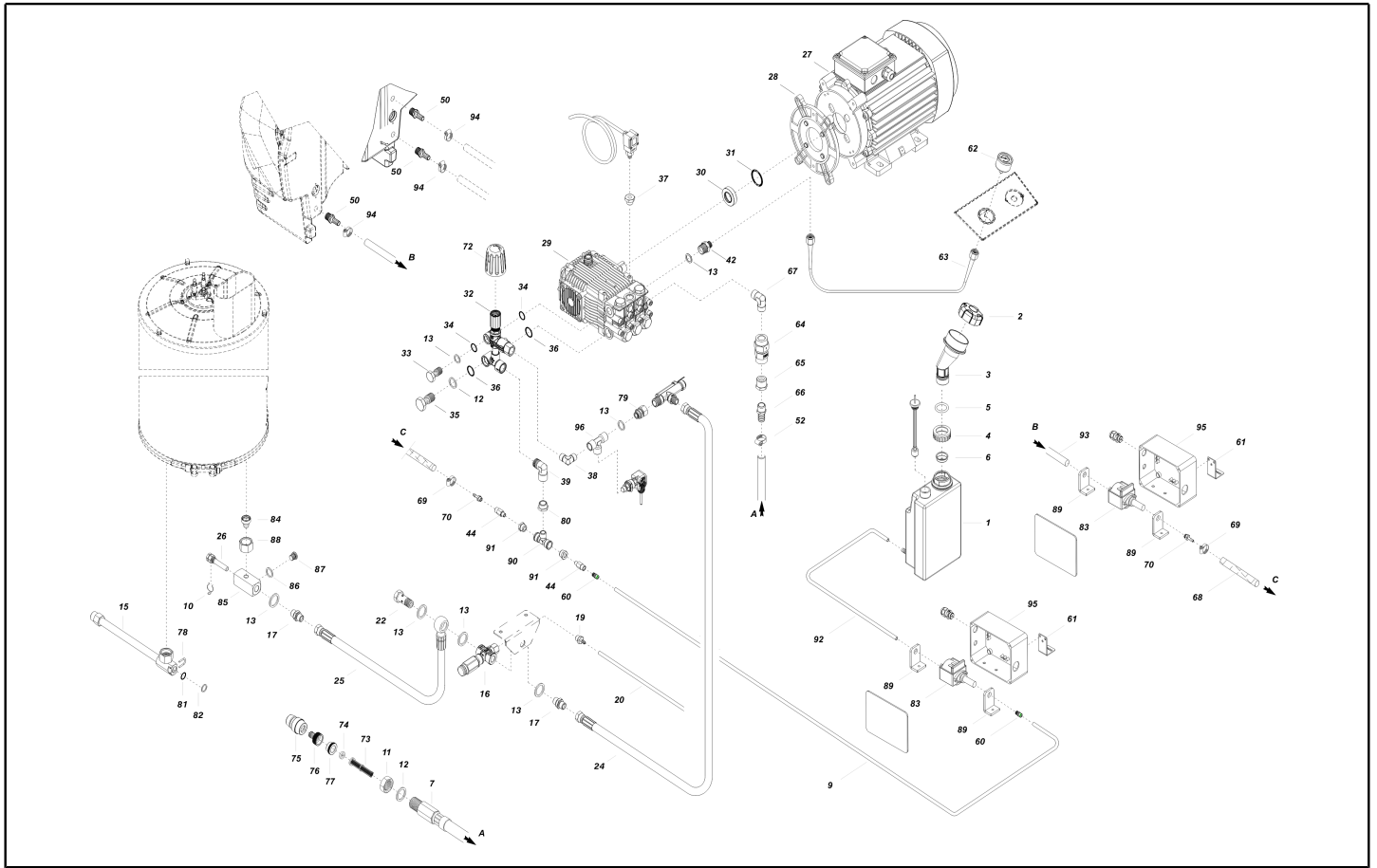
Ref. Part n.	Part n. 2	Description	Reference	Price
POT KTRI40415		KIT P 20- 4 POT. VSH P11 PW-H	POT 0024 0025 0054 0055 0056	--



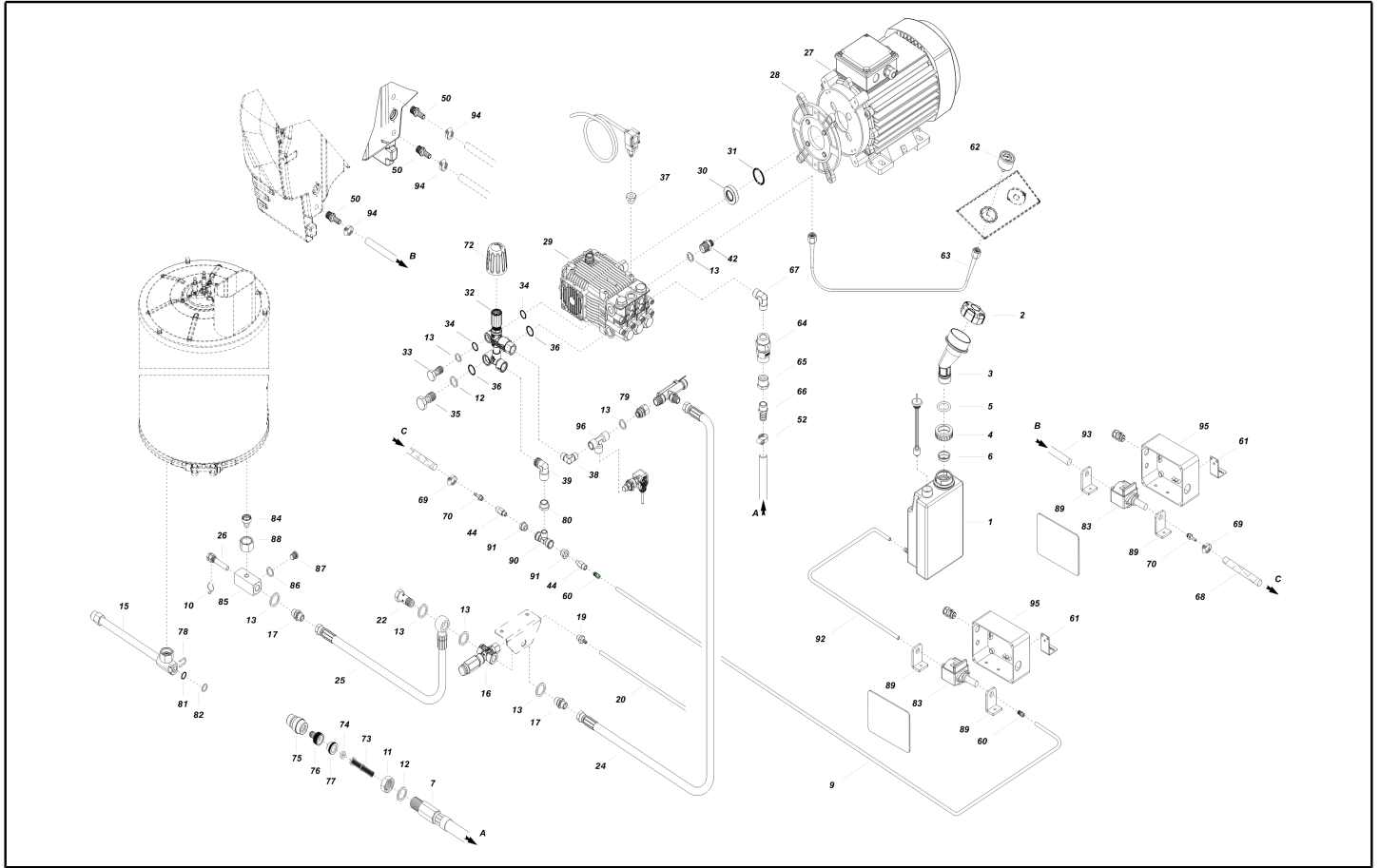
Ref. K	Part n.	Part n. 2	Description	Quantity	Validity		Price
					From	To	
0001	MPVR40698		TANK KSM C/PE.	1,00			--
0002	MPVR40187		TANK CAP P215 PEHD C/F.	1,00			--
0003	MPVR41240		MANIFOLD A.CLCL PW-H61 PP NT.	1,00			--
0004	MPVR40739		TANK CAP KSM D.36.2	1,00			--
0005	GUGO89386		O-RING D. 30 X 5 NBR 70SH	1,00			--
0006	MPVR18582		CAP D.22	1,00			--
0007	TBBP40178		L.P. HOSE L=890 1/2M 0°	1,00			--
0009	TBBP11756		L.P. HOSE D. 4- 6 RILSAN NTR	0,26			--
0010	MLML02623		SPRING IMT	1,00			--
0011	RCDS49875		RING NUT 1/2"X 6 CH.27 OT.	1,00			--
0012	VTRS00549		WASHER D.21,5X27X1,5 (1/2) RM	1,00			--
0013	VTRS00548		WASHER D.17,5X23X1,5 (3/8)RM	1,00			--
0013	VTRS00548		WASHER D.17,5X23X1,5 (3/8)RM	1,00			--
0013	VTRS00548		WASHER D.17,5X23X1,5 (3/8)RM	1,00			--
0013	VTRS00548		WASHER D.17,5X23X1,5 (3/8)RM	1,00			--
0013	VTRS00548		WASHER D.17,5X23X1,5 (3/8)RM	1,00			--
0013	VTRS00548		WASHER D.17,5X23X1,5 (3/8)RM	2,00			--
0015	S RCDS21118		CONNECTOR KSM	1,00			--
0015	S RCDS21119		NUT KSM	1,00			--
0015	S RCDS40319		CONNECTOR G3/8F-1/4-P/NTC+2 M4 C.30	1,00			--
0015	S RCDS40041		CONNECTOR L=216 2X3/8M CN. ZC.	1,00			--
0015	S RCIN03753		MALE COUPLING M22-3/8 M-FA	1,00			--
0016	VVSC40033		VALVE SVT40 400B. LT.25 G 3/8"	1,00			--
0017	RCDS00610		NIPPLE 3/8 - 3/8 SV	1,00			--
0017	RCDS00610		NIPPLE 3/8 - 3/8 SV	1,00			--
0019	RCDS03514		HOSE FITTING 3/8 M D. 5- 7	1,00			--
0020	TBBP93804		L.P. HOSE D. 6- 9	0,40			--
0021	FSVR72800		CLAMP D 8.3 - 8.8	1,00			--
0022	RCDS01371		SCREW G 3/8 A.P.	1,00			--
0024	TBAP40288		HOSE-FITTING 5/16 250b L=360 0-0° 3/8F	1,00			--
0025	TBAP40265		HOSE-FITTING 3/ 8 R2 L=405 3/8OC -3/8F	1,00			--
0026	RCDS00593		SUMP IM 0-120 L=50	1,00			--
0027	MOTR40012		3PH MOTOR H100 HP 9 2/460-5/60 K.8M	1,00			--
0028	MFVR21735		COUNTERFLANGE MEC 112 2.V	1,00			--
0029	PPAP40084		PUMP RK 15.25 DX NC T.OT.	1,00			--
0030	RCDS40109		BUSHING AR RK OT	1,00			--
0031	GUGO42285		O-RING D. 35 X 2.5 VIT.70SH	1,00			--
0032	VVAZ40062		VALVE VRF-2 AR-R AF S/L. RG	1,00			--
0033	RCDS40172		SCREW 3/8 VRF-2 OT 4F.	1,00			--
0034	GUGO03510		O-RING D. 12.37 X 2.62 NBR 70SH	2,00			--
0035	RCDS40171		SCREW G 1/2 VRF-2 OT. 2F.	1,00			--
0036	GUGO01048		O-RING D. 15.88 X 2.62 NBR 70SH	2,00			--
0037	PVVR40175		CAP AR RR C/F. 1/8F+OR	1,00			--
0038	RCVR40590		ELBOW 3/8" M.A.P. OT.MTM	1,00			--



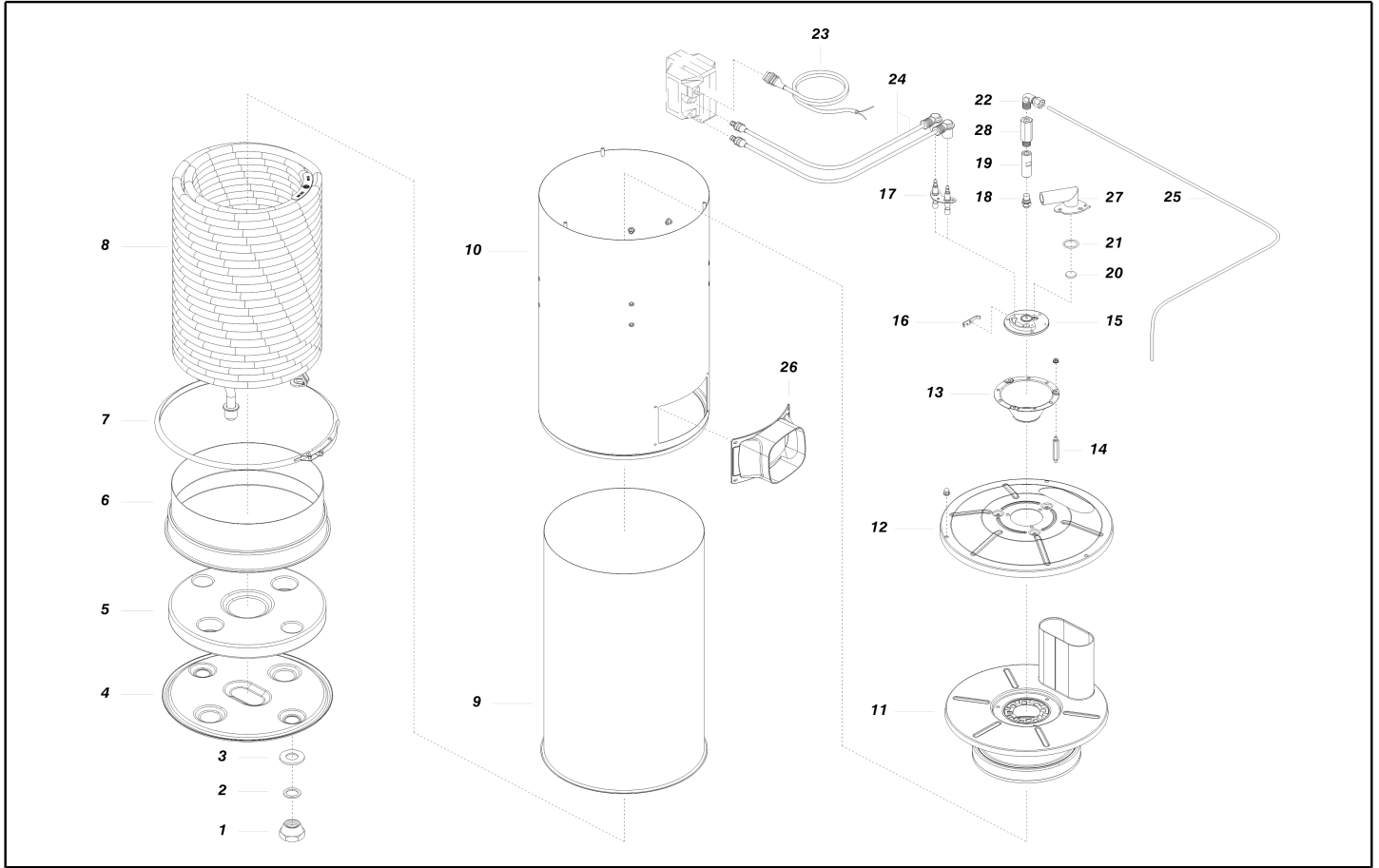
Ref. K	Part n.	Part n. 2	Description	Quantity	Validity		Price
					From	To	
0039	RCVR00575		ELBOW 1/2" M/F A10	1,00			--
0042	RCDS00608		NIPPLE 3/8 - 1/4 SV	1,00			--
0044	VVSF43615		VALVE 1/8M-F OT. VIT. 250°C	2,00			--
0052	FSVR00431		CLAMP D. 16-25	1,00			--
0056	RCGR89343		FLOATER MTM 3/4 PP. S/F. +ADP.245	1,00			--
0060	RCVR14043		CONNECTOR DTT 1/8"M C1 D. 6/ 4 NIK	1,00			--
0060	RCVR14043		CONNECTOR DTT 1/8"M C1 D. 6/ 4 NIK	1,00			--
0061	LAFN41352		SUPPORT DET.PUMP. PW-H101 ZN	1,00			--
0061	LAFN41352		SUPPORT DET.PUMP. PW-H101 ZN	1,00			--
0062	MNMN18650		PRESSURE GAUGE 0-300 D.40	1,00			--
0063	TBAP40113		POLYAMIDE HOSE L=420 1/4F GR.-1/8F MN.	1,00			--
0064	VVSF40026		VALVE 3/4 F/F CK100 220bar	1,00			--
0065	RCVR40042		REDUCTION 3/4-1/2 M/F NIK	1,00			--
0066	RCVR73008		HOSE FITTING 1/2 D.17 454/A	1,00			--
0067	RCVR40153		ELBOW 3/4"-1/2" M OT.	1,00			--
0068	TBBP00051		DETERGENT HOSE D. 6-12	0,40			--
0069	FSVR00427		CLAMP D. 12 CLIC 66-110	1,00			--
0069	FSVR00427		CLAMP D. 12 CLIC 66-110	1,00			--
0070	RCDS21900		HOSE FITTING 1/8 M D. 3- 7	1,00			--
0070	RCDS21900		HOSE FITTING 1/8 M D. 3- 7	1,00			--
0072	MPVR41241		BLACK KNOB VRF-2 IPC	1,00			--
0073	FTAC30214		FILTER D.15X67	1,00			--
0074	GUGO37736		GASKET D. 10- 19 X 5 70SH	1,00			--
0075	RCVR29600		SOCKET PTC 3/4 F	1,00			--
0076	RCVR29602		CONNECTOR D. 1/2"-5/8" PTC	1,00			--
0077	RCVR37806		REDUCTION PTC 3/4-1/2 M/F	1,00			--
0078	LAFN40832		PLUG "U" SIST.NTC PW-H INX	1,00			--
0079	RCVR00563		SWIVEL RACCORD 3/8 M/F	1,00			--
0080	VTRS00549		WASHER D.21,5X27X1,5 (1/2) RM	1,00			--
0081	GUGO27030		O-RING D. 6 X 3 VIT 70SH	1,00			--
0082	GUVR40089		ANTI-EXTR.RING D. 6.6X11.9X1.5 PTFE	1,00			--
0083	PPEL40002		PUMP BY-P.230V E 505/OT 1/8"F	1,00			--
0084	RCDS21118		CONNECTOR KSM	1,00			--
0085	RCDS40323		CONNECTOR G 1/2F -3/8F +2xG1/4F 30	1,00			--
0086	VTRS04931		WASHER COPPER D.13X19X1,5	1,00			--
0087	RCVR00659		CAP 1/4 M	1,00			--
0088	RCDS21119		NUT KSM	1,00			--
0089	ABGO00010		SUPPORT ANTIVIBRANTE POMPA L15-20	2,00			--
0090	RCVR40121		CONNECTOR TEE 3/8 F/M/F A12	1,00			--
0091	RCVR03760		REDUCTION 3/8-1/8 M/F	2,00			--
0092	TBBP85832		L.P. HOSE D. 5- 8	0,33			--
0093	TBBP93804		L.P. HOSE D. 6- 9	0,35			--
0094	FSVR11957		CLAMP D. 9,5-12 CLIC	1,00			--
0094	FSVR11957		CLAMP D. 9,5-12 CLIC	1,00			--



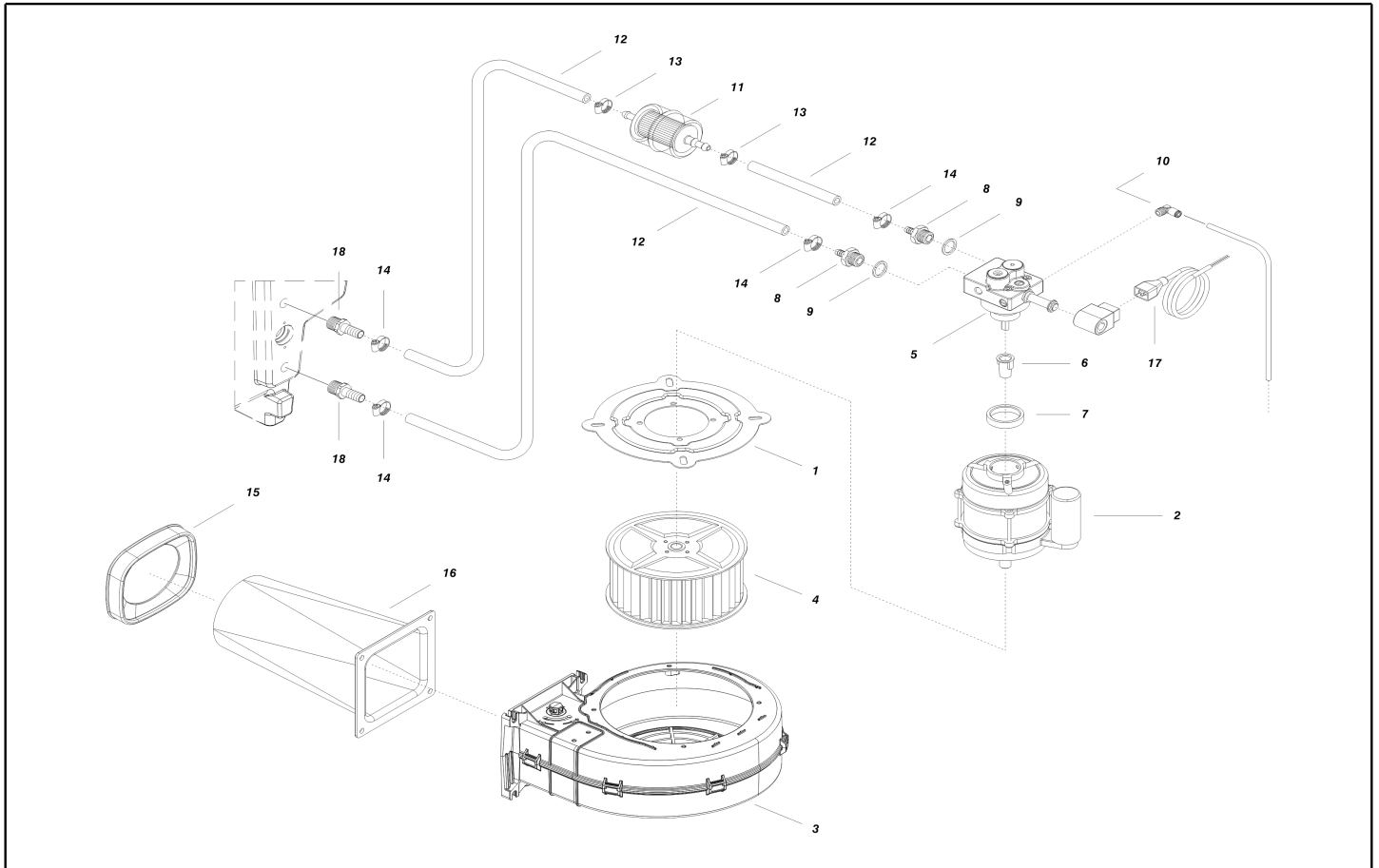
Ref. K	Part n.	Part n. 2	Description	Quantity	Validity		Price
					From	To	
0095	MEVR40323		CONTROL BOX GER. 150X110X75 H61/101	1,00			--
0095	MEVR40323		CONTROL BOX GER. 150X110X75 H61/101	1,00			--
0096	RCVR01710		CONNECTOR T 3/8 F/F OT. A.P.	1,00			--



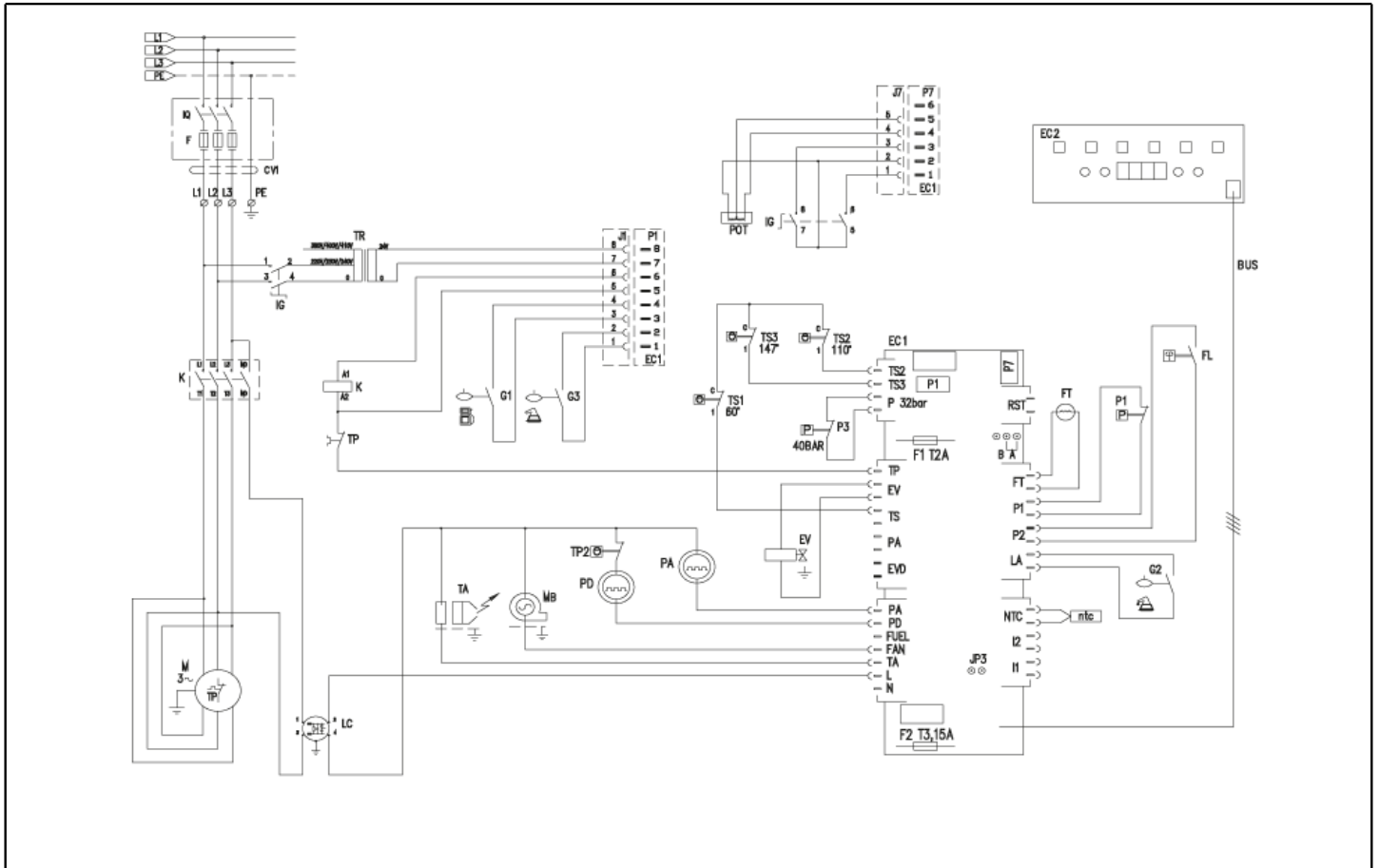
Ref. Part n.	Part n. 2	Description	Reference	Price
0015 KTRI40385		KIT P 13- 13 PW-H100 NTC	0015 0015 0015 0015 0015 0015 0015	--



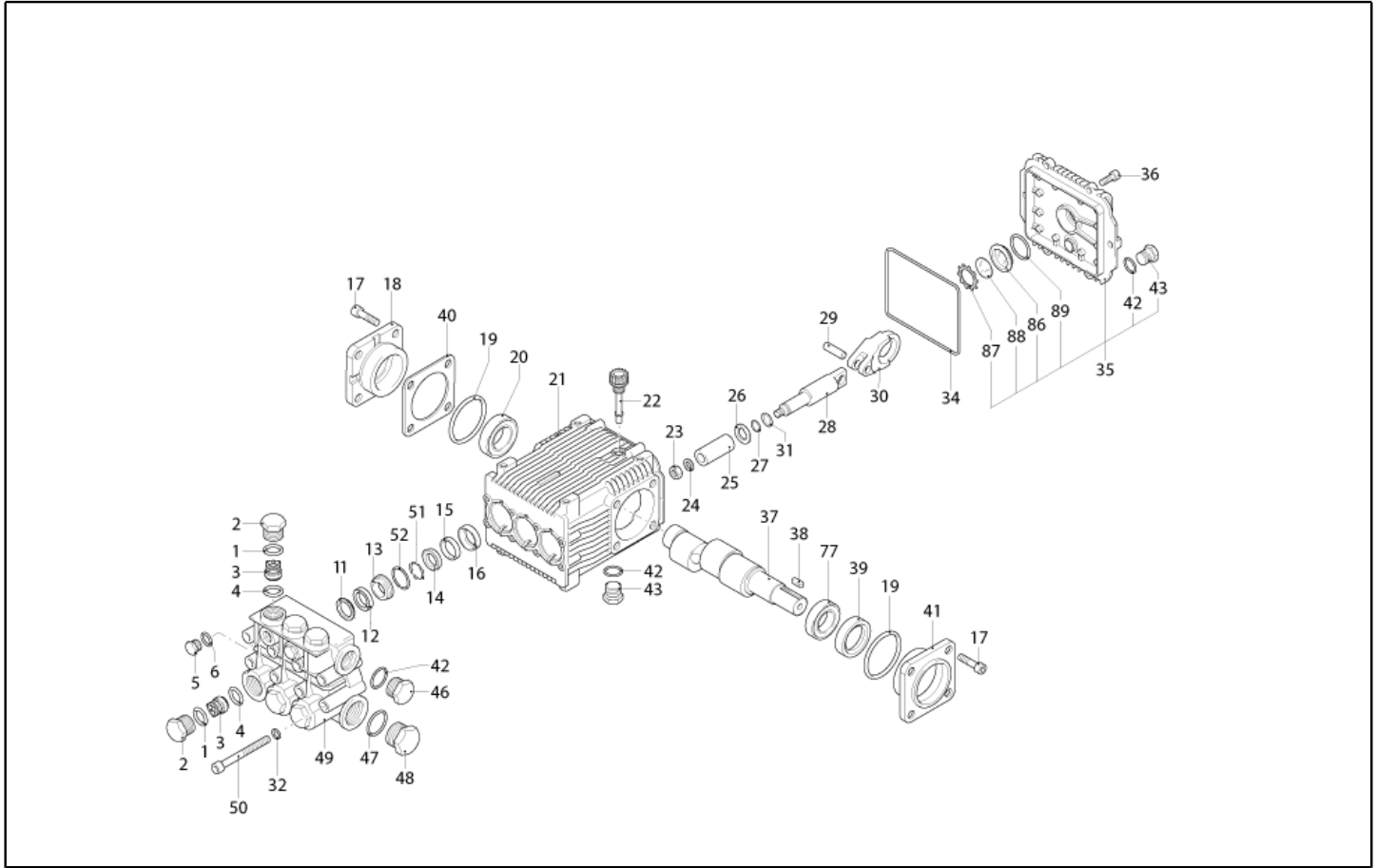
Ref. K	Part n.	Part n. 2	Description	Quantity	Validity		Price
					From	To	
0001	RCDS21120		RING NUT M 26 X 1,5	2,00			--
0002	GUGO21222		O-RING D. 15.54 X 2.62 VIT 80SH	2,00			--
0003	GUVR21021		ANTI-EXTR.RING D. 21 X17 TEF.	2,00			--
0004	LAFN44149		BOILER BOTTOM P176	1,00			--
0005	ITTE44175		BOTTOM P176 C.TE	1,00			--
0006	LAFN40733		BAND P176-H28 INX	1,00			--
0007	LAFN40037		RING D.342 P176 ZN 2V.CPL.	1,00			--
0008	LAGR40044		DOUBLE COIL M26X1.5 P176 30MT. SP.2.9	1,00			--
0009	LASL40101		INT. CYLINDER PM INX	1,00			--
0010	LAFN41349		EXT. CYLINDER PM-H101 INX	1,00			--
0011	LAFN40757		BOILER COVER SI PM-H100.30 INX	1,00			--
0012	LAFN40270		BOILER COVER SE PM INX	1,00			--
0013	LAFN44244		BAFFLE P176 30M INX	1,00			--
0014	LAFN40271		PIN CH.10 X 67.7 M5M/M5M PM	3,00			--
0015	MFVR18226		ELECTR.HOLDER FUT 3°V	1,00			--
0017	MECA12525		ELECTRODE FUT	1,00			--
0018	UGBR22576		BURNER NOZZLE 1.35 60 S	1,00			--
0019	RCDS07642		NOZZLE HOLDER FUT	1,00			--
0020	MPVR18228		OIL WARN-LIGHT D.17 X3	1,00			--
0021	GUGO40061		GASKET D. 10- 18 X 1 NBR	1,00			--
0022	RCVR40228		CONNECTOR L 1/8" M D. 4 +OR NBR N	1,00			--
0023	MECB34463		CABLE BT L=800 SP. FD	1,00			--
0024	MECV35335		CABLE A.T. 9,8-23KOHM/M L= 500P	2,00			--
0025	TBBP00123		TUBE RILSAN D. 2- 4 NT.	0,67			--
0026	MPVR88426		CONVEYOR P176 PA6 BK.	1,00			--
0027	LAFN40734		SUPPORT PW-H35 BK.	1,00			--



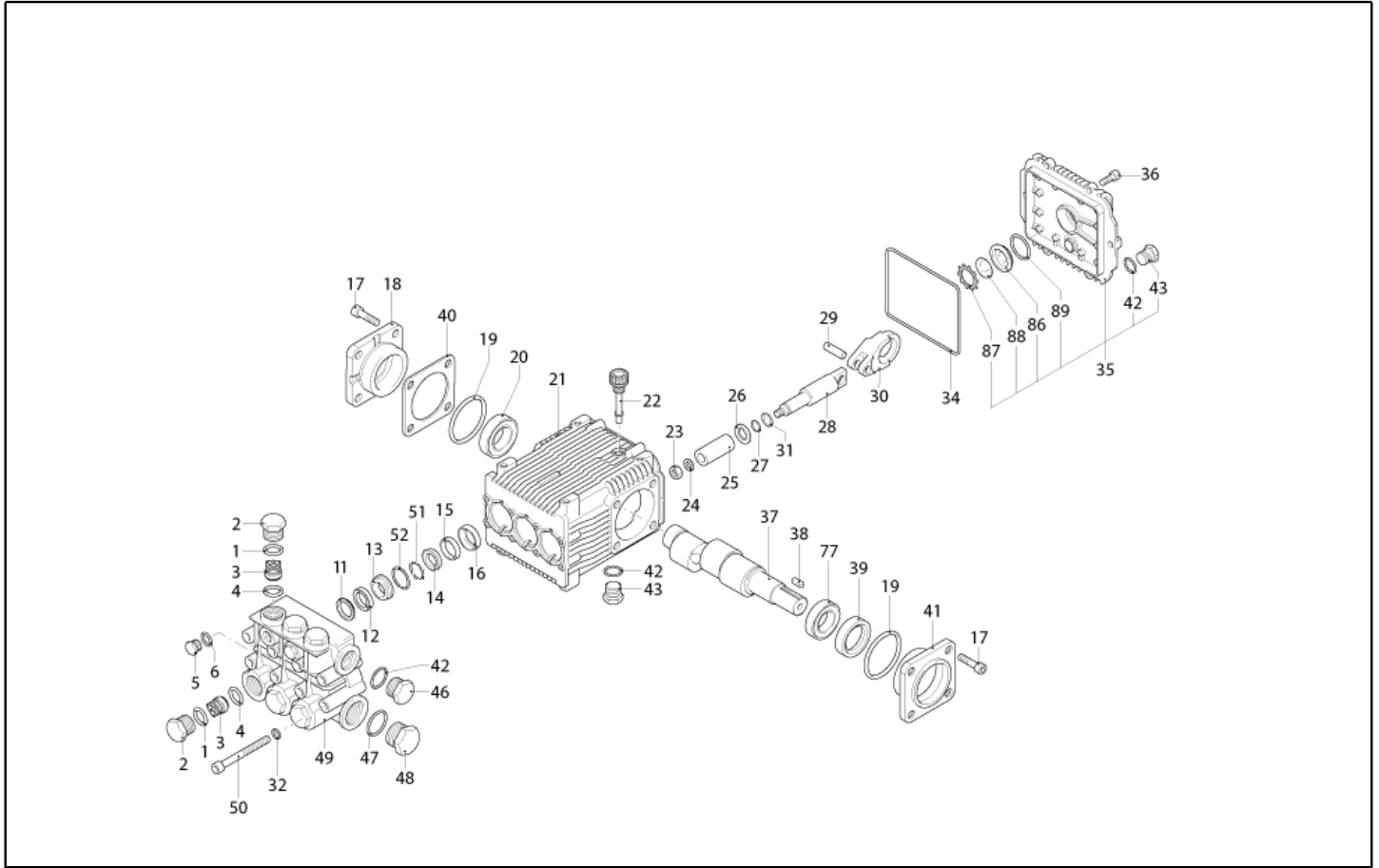
Ref. K	Part n.	Part n. 2	Description	Quantity	Validity		Price
					From	To	
0001	LAFN10272		MOTOR PLATE CB 3	1,00			--
0002	MOMB40009		BURNER MOTOR 230-50 IPX5 180W AO/C	1,00			--
0003	MPVR40665		SCROLL CB4 -2PZ.GR.	1,00			--
0004	VEVR34275		IMPELLER D.160-80 D.12.7 36P B.SX	1,00			--
0005	PPGS40005		FUEL PUMP DNF BFA 01L3R2	1,00			--
0006	FGGT40022		JOINT V.1409 DERL.SIM	1,00	01/03/2019		--
0007	GUGO40062		GASKET PW-H100 MOT.BR.	1,00			--
0008	RCDS00626		HOSE FITTING 1/4 M D. 5- 7	2,00			--
0009	VTRS04931		WASHER COPPER D.13X19X1,5	2,00			--
0010	RCVR40228		CONNECTOR L 1/8" M D. 4 +OR NBR N	1,00			--
0011	FTCO40003		FUEL FILTER FB 7/TA 60mc NYL.	1,00		24/02/2016	--
0011	FTCO40004		FUEL FILTER FB 7/T 60mc NYL.	1,00	25/02/2016		--
0012	TBCO06945		L.P. HOSE D. 6-12 10BAR C.PRESS	0,11			--
0012	TBCO06945		L.P. HOSE D. 6-12 10BAR C.PRESS	1,00			--
0012	TBCO06945		L.P. HOSE D. 6-12 10BAR C.PRESS	1,22			--
0013	FSVR11197		CLAMP D.12.9-13.6	2,00			--
0014	FSVR00427		CLAMP D. 12 CLIC 66-110	3,00			--
0015	GUGO88425		GASKET P245 EPDM	1,00			--
0016	MPVR40766		CONVEYOR CB4-H100 PA6	1,00			--
0017	MECB46130		CABLE DLT L=1100	1,00			--
0018	RCVR40113		HOSE FITTING 1/8 M D. 5- 7 NIK	3,00			--



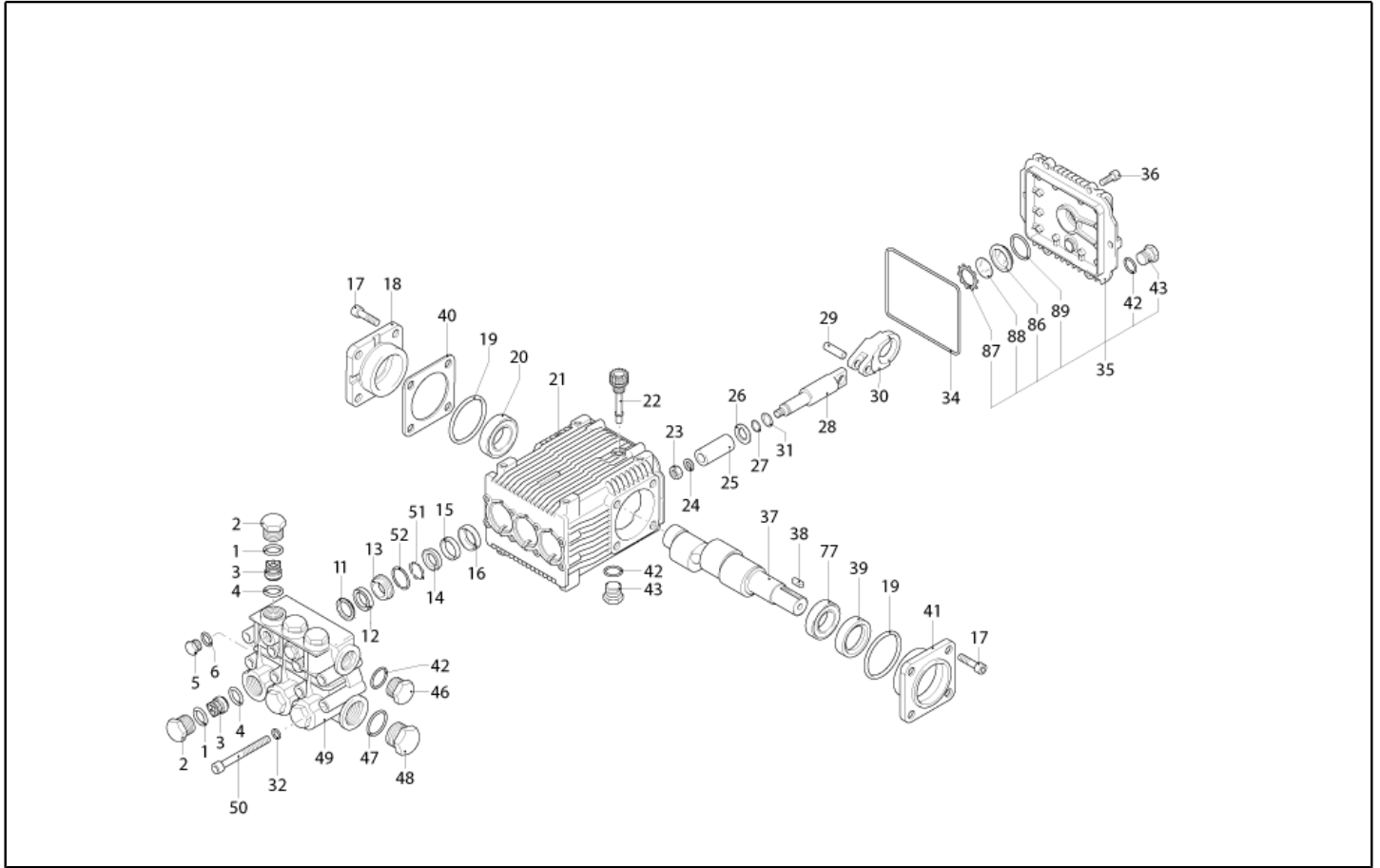
Ref. K	Part n.	Part n. 2	Description	Quantity	Validity		Price
					From	To	
K	METT40019		CONTACTOR SIE 3RT 2025-1AC20 24V	1,00			--
EV	MEBE43704		COIL DNF 24-50	1,00			--
FL	MEPF40051		FLOW SWITCH FS-26 3/8" M 2.0L/M OT.	1,00			--
FT	MECF40008		PHOTOELET.CELL FT13/R MM1000 W	1,00			--
G2	MECI34444		SWITCH REED N.C.H185 L=1300	1,00			--
IG	MECI40065		COMMUTAT.SWITCH BRM 0-1/4 BIP.12A V493	1,00			--
P1	MEPF40063		PRESSURE SWITCH PS2 G3/8M 25BAR	1,00			--
P3	MEPF40070		PRESSURE SWITCH PS2 G1/8M 32BAR	1,00			--
RC	MECE46138		FILTER LC RFI 250V 10A	1,00			--
TA	METR88630		TRANSFORMER 23/240V-5/60HZ 2X26KV TR.	1,00			--
TR	METR41580		TRANSFORMER 50VA 400-230/50V	1,00			--
CV1	MECB17414		CABLE H07 RNF 4X2.5 L=6.500	1,00			--
EC1	MECE40110		PCB PW-H PLS. TSI+CO+ C.F.	1,00			--
EC1	MECE40030		CABLE CLAMPING SHUNT 2.54	1,00			--
EC2	MECE40111		DISPLAY PW-H PLS. +CTR.LED	1,00			--
NTC	MEVR40298		PROBE NTC/10K 3435 GLS.TY. CN.	1,00			--
POT	S MEVR40149		POTENTIOMETER VSH P11S1V0FLSY 5/10K LN.	1,00			--
TS1	METK34839		THERMOSTAT 60°C TU V ST T.F. C.1.5	1,00			--
TS2	METK43604		KLIKSON UP62 110°C	1,00			--
TS2	METK40021		THERMOSTAT 110°C TK24-T02 16A 250V	1,00			--
TS3	METK40026		THERMOSTAT 147°C TK24-T02 16A 250V	1,00			--
G1,3	MECI40006		SENSOR LEVEL S1.PML.XD.FPJ FST.	2,00			--



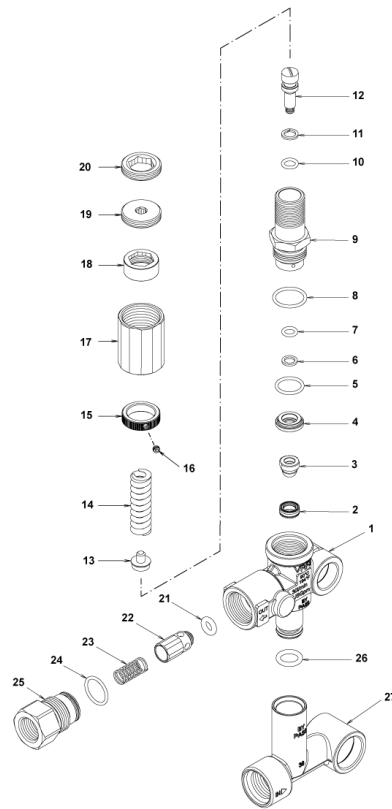
Ref. K	Part n.	Part n. 2	Description	Quantity	Validity		Price
					From	To	
0001	GUGO03502		O-RING D. 17.86 X 2.62 NBR 70SH	6,00			--
0002	PVVR40161		CAP AR RR	6,00			--
0003	S VVAM40003		VALVE UNIT RR	6,00			--
0004	S GUGO02259		O-RING D. 15.54 X 2.62 NBR 70SH	6,00			--
0005	PVVR40129		CAP 1/4 M RC	2,00			--
0006	GUGO01036		O-RING D. 10.82 X 1.78 NBR 70SH	2,00			--
0011	S PVVR40182		HEAD RING D. 18 RW	3,00			--
0012	S GUVR40045		PACKING D. 18 RW H.P.	3,00			--
0013	S PVVR40238		INTERMED. RING D.18 RK	3,00			--
0014	S GUVR40056		PACKING D.18 RK	3,00			--
0015	S PVVR40239		SPACER D. 35 RK	3,00			--
0016	S GUGO40022		OIL SEAL RK	3,00			--
0017	VTVT01118		SCREW TCEI M 8X16 ZC. UNI 5931	8,00			--
0018	MFVR40038		CRANKCASE COVER AR RK LT.	1,00			--
0019	S GUGO01053		O-RING D. 60 X 2.62 NBR 70SH	2,00			--
0020	CUVR40011		BEARING 30304 DQ	1,00			--
0021	MFVR40039		PUMP CRANKCASE AR RK	1,00			--
0022	PVVR19231		OIL CAP XTS	1,00			--
0023	VTDD00483		NUT M 8 ZIN UNI 5588	3,00			--
0024	VTRS19394		WASHER D. 8X13X0.5	3,00			--
0025	S PIVR40012		PISTON D.18X40 RK	3,00			--
0026	PVVR40218		DISC RK	3,00			--
0027	GUGO08071		O-RING D. 4.48 X 1.78 NBR 70SH	3,00			--
0028	PVVR40217		PISTON GUIDE RK	3,00			--
0029	PVVR40211		GUIDGEON D. 10X25 RK	3,00			--
0030	BLVR40005		CONNECTING ROD RK	3,00			--
0031	GUVR40044		ANTI-EXTR.RING D. 5 X 8 X1	3,00			--
0032	VTRS00504		WASHER D. 8 ZC. UNI 6592	8,00			--
0034	S GUGO40023		O-RING D. 106 X 3 NBR 70SH	1,00			--
0035	MFVR40041		CRANKCASE COVER AR RK	1,00			--
0036	VTVT01114		SCREW TCEI 6X14 UNI 5931	6,00			--
0037	ALMO40019		SHAFT AR RK18.16 NC	1,00			--
0038	VTVR41531		KEY 8X 7X35 UNI 6604A	1,00			--
0039	S GUGO01245		OIL SEAL 25X 45X10-L.CM -NBR70	1,00			--
0040	PVVR40214		THICKNESS AR 0,20 mm	1,00			--
0041	MFVR40040		CRANKCASE COVER AR RK LAT. OPEN	1,00			--
0042	GUGO09720		O-RING D. 14 X 1.78 NBR 70SH	3,00			--
0043	PVVR40099		CAP 3/8 M HRM	1,00			--
0046	PVVR40099		CAP 3/8 M HRM	1,00			--
0047	GUGO19245		O-RING D. 17.5 X 2 NBR 70SH	1,00			--
0048	PVVR40121		CAP 1/2 M RC	1,00			--
0049	MFVR40049		HEAD AR RK 15.25	1,00			--
0050	VTVT37530		SCREW TCEI M 8X70 UNI 5931	8,00			--
0051	S GUGO09699		O-RING D. 18.77 X 1.78 NBR 70SH	3,00			--



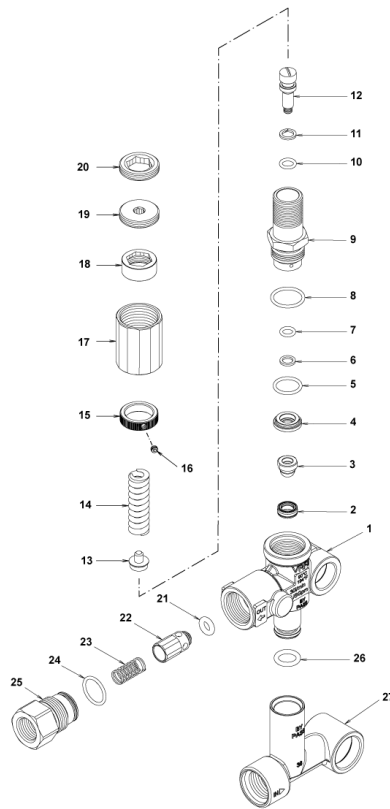
Ref. K	Part n.	Part n. 2	Description	Quantity	Validity		Price
					From	To	
0052	S	GUGO01039	O-RING D. 31.47 X 1.78 NBR 70SH	3,00			--
0077		CUVR66788	BEARING D.25X52X16,25 30205 SKF	1,00			--
0086		PVVR19238	OIL INDICATOR XTS	1,00			--
0087		VTAE19239	SEEGER 0,5 X25,35X16,0	1,00			--
0088		PVVR40199	DISC CONTRASTO POMPA RW	1,00			--
0089		GUGO19395	O-RING D. 20.24 X 2.62 NBR 70SH	1,00			--



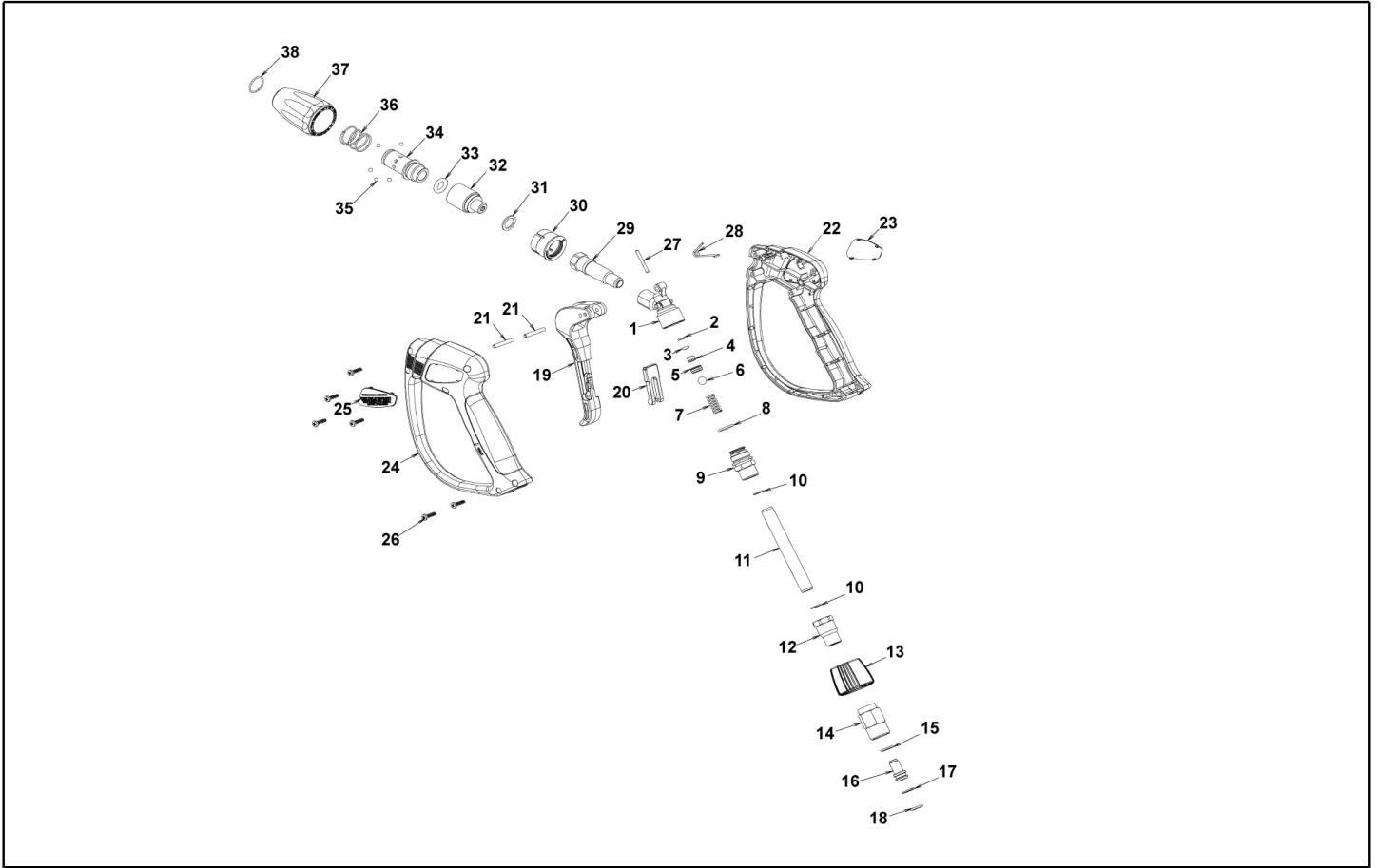
Ref. Part n.	Part n. 2	Description	Reference	Price
KTRI40142		KIT P 15-42909 RR	0003 0004	--
KTRI40169		KIT P 15-2500 RK	0025	--
KTRI40167		KIT P 15-1855 RK	0016 0019 0034 0039	--
KTRI40190		KIT P 15-42473 D.18 RK	0051 0052 0012 0014	--
KTRI40298		KIT P 15-42000 D.18 RK	0012 0013 0014 0015 0051 0052 0011	--
KTRI40191		KIT P 15-1829 D.18 RK	0011	--



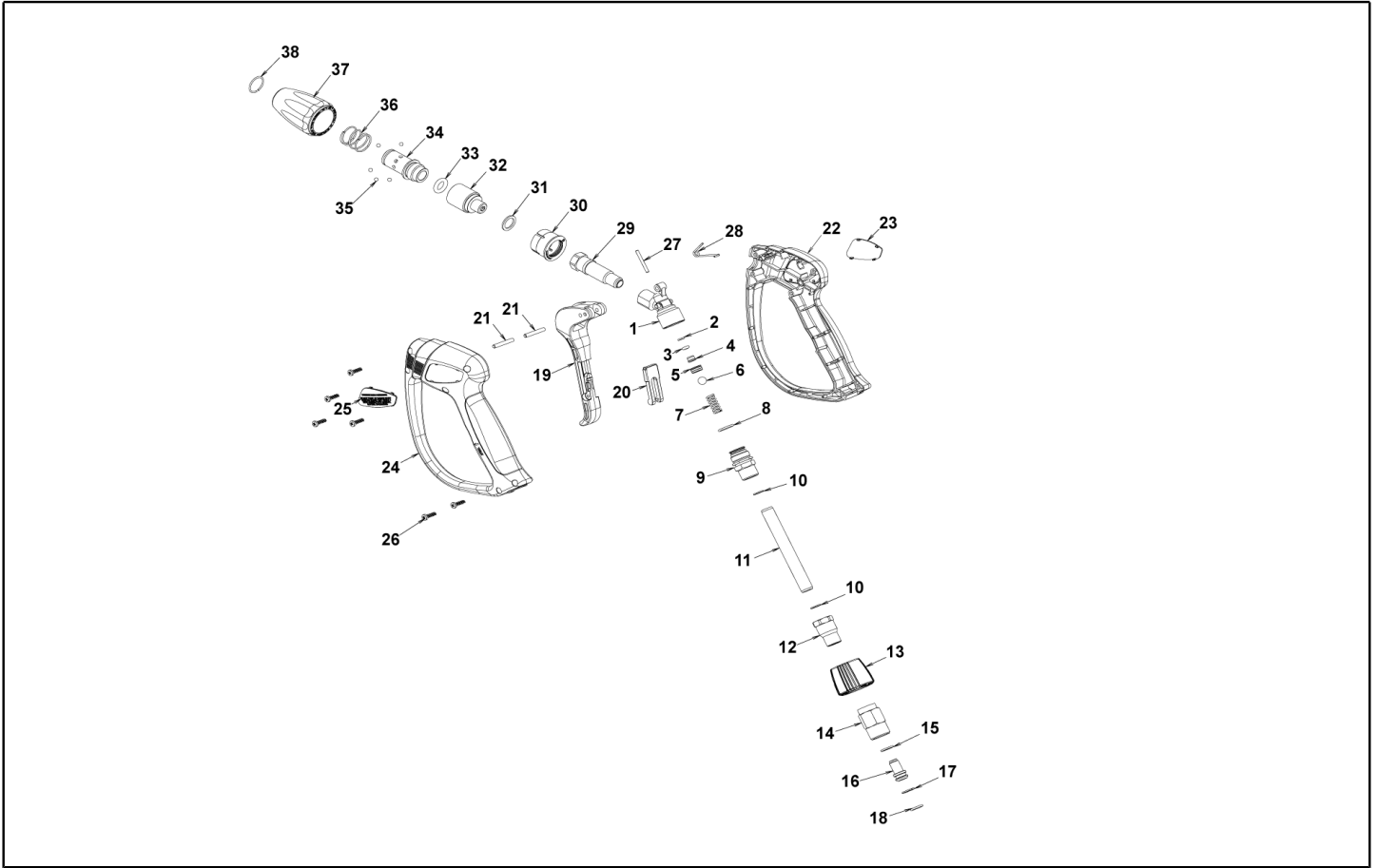
Ref. K	Part n.	Part n. 2	Description	Quantity	Validity		Price
					From	To	
0001	PVVR40362		VALVE BODY VRF2	1,00			--
0002	S	PVVR40363	VALVE SEAT MV124 +OR	1,00			--
0003	S	PVVR40364	COUPLING MV124	1,00			--
0004	S	PVVR40365	SPACER MV124	1,00			--
0005	S	GUGO12322	O-RING D. 14 X 1.78 NBR 90SH	1,00			--
0006	S	GUVR40072	ANTI-EXTR.RING D. 6.5X 9.4	1,00			--
0007	S	GUGO83861	O-RING D. 6.07 X 1.78 NBR 90SH	1,00			--
0008	S	GUGO24913	O-RING D. 17.17 X 1.78 NBR 90SH	1,00			--
0009	S	PVVR40388	CONNECTOR VRF2 RG.165 56A	1,00			--
0010	S	GUGO03500	O-RING D. 6.75 X 1.78 NBR 70SH	1,00			--
0011	S	GUVR40073	ANTI-EXTR.RING D. 7.1X10 X1.2 TBT	1,00			--
0012	S	PVVR40367	SMALL PISTON D.10 VRF2	1,00			--
0013	S	PVVR40368	SPRING PLATE MV124 25B	1,00			--
0014	S	MLML47987	SPRING D. 3.25X41.1 MV 625	1,00			--
0015	S	PVVR40369	RING NUT MV167.09	1,00			--
0016	S	VTVT89696	SCREW EI-ST 4X 4 UNI5927 ZC	1,00			--
0017	S	PVVR47989	CAP MV 625 REG.	1,00			--
0018	S	PVVR47990	RING NUT MV 625 REG.	1,00			--
0019	S	PVVR47991	REGISTER MV 625 REG.	1,00			--
0020	S	PVVR47992	CLAMP MV 625 REG.	1,00			--
0021	S	GUGO46053	O-RING D. 6 X 3 NBR 90SH	1,00			--
0022		PVVR40349	COUPLING VRT3	1,00			--
0023		MLML40026	SPRING VRT3	1,00			--
0024	S	GUGO12321	O-RING D. 15.6 X 1.78 NBR 90SH	1,00			--
0025		PVVR40350	CONNECTOR VRT3 G 3/8F	1,00			--
0026		GUGO11225	O-RING D. 10.78 X 2.62 NBR 70SH	1,00			--
0027		PVVR40373	CONNECTOR VRF2.24	1,00			--



Ref. Part n.	Part n. 2	Description	Reference	Price
KTRI40256		KIT P 14-105 VRF2 Reg.	0002 0003 0004 0005 0006 0007 0008 0009 0010 0011 0012 0013 0014 0015 0016 0017 0018 0019 0020	--
KTRI40237		KIT P 14-104 SET GUARNIZIONI	0002 0003 0005 0006 0007 0008 0010 0011 0021 0024	--



Ref. K	Part n.	Part n. 2	Description	Quantity	Validity		Price
					From	To	
0001	PVVR40381		GUN BODY G 5100 G1/4F	1,00			--
0002	S	GUVR40074	ANTI-EXTR.RING D. 3 X 7.4X1.3	1,00			--
0003	S	GUGO21835	O-RING D. 2.84 X 2.62 VIT. 80SH	1,00			--
0004	PVVR40382		PISTON GUIDE G 5100	1,00			--
0005	S	PVVR40563	BALL SEAT AL36 G6000 + OR	1,00			--
0006	S	SFVR40004	BALL D. 5/16" ALL.GR16	1,00			--
0007	MLML40047		SPRING D. 9.4 x23.5x1.6 G6000	1,00			--
0008	GUGO12322		O-RING D. 14 X 1.78 NBR 90SH	1,00			--
0009	PVVR40383		CONNECTOR COLL.G5100 1/4F	1,00			--
0010	VTRS40017		WASHER D. 8.2X11,4X1.00	2,00			--
0011	PVVR40384		TUBE G 1/4" L.105	1,00			--
0012	RCIN40022		CONNECTOR SWIV G5100 1/4F	1,00			--
0013	MPVR40967		RING NUT G 6000 SW. GR.	1,00			--
0014	RCIN40021		JOINT SWIV 5100 M22	1,00			--
0015	S	GUVR40075	ANTI-EXTR.RING D. 10 X14X1.5	1,00			--
0016	PVVR40386		SCREW SW. G 5100	1,00			--
0017	S	GUVR40076	ANTI-EXTR.RING D. 11.2X14X1.2	1,00			--
0018	S	GUGO15295	O-RING D. 10.82 X 1.78 VIT 75SH	1,00			--
0019	MPVR40820		TRIGGER G 6000-SW	1,00			--
0020	MPVR40821		SAFETY-DEVICE G 6000-SW	1,00			--
0021	VTVR40047		PLUG D. 4X29	2,00			--
0022	MPVR40822		SHELL G 6000-SW DX	1,00			--
0023	MPVR40968		PLATE G 6000/2 GR.DX	1,00			--
0024	MPVR40824		SHELL G 6000-SW SX	1,00			--
0025	MPVR40825		PLATE G 6000 GR.SX	1,00			--
0026	VTVT40043		SCREW AF 4X 14 HILO ZN.N	6,00			--
0027	PVVR40564		SMALL PISTON G 6000 AL36 SP.	1,00			--
0028	MLML40029		SPRING G 5100	1,00			--
0029	PVVR40521		CONNECTOR AL55 G1/4F	1,00			--
0030	MPVR40856		PROTECTION AR 4	1,00			--
0031	VTRS48089		WASHER D.13,5X18 X1,5 RM.	1,00			--
0032	PVVR40522		CONNECTOR AR 4 G1/4 M OT	1,00			--
0033	GUGO40079		O-RING D. 11 X 4 VIT 75SH	1,00			--
0034	PVVR40523		JOINT BODY AR 4 OT	1,00			--
0035	SFVR40003		BALL D.5/32" AISI 420C I.3290	8,00			--
0036	MLML40043		SPRING D. 23 X24.0 D.1.4 IX	1,00			--
0037	PVVR40524		KNOB AR 4 INS.OT	1,00			--
0038	VTAE40010		CIRCLIP D.18 -D.1.5 AR 4	1,00			--



Ref. Part n.	Part n. 2	Description	Reference	Price
KTRI40243		KIT P 26- 26 SWIVEL G 5100	0015 0017 0018	--
KTRI40513		KIT P 26- 36 G 6000/II	0002 0003 0005 0006	--