



**IPC**

**FOMA**

## **Spare Parts List**

IP Cleaning Srl - Soteco

Ref: ASDO04909

Cust.Ref: 7050481316902

Model: VACUUM DOMUS PLUS HG

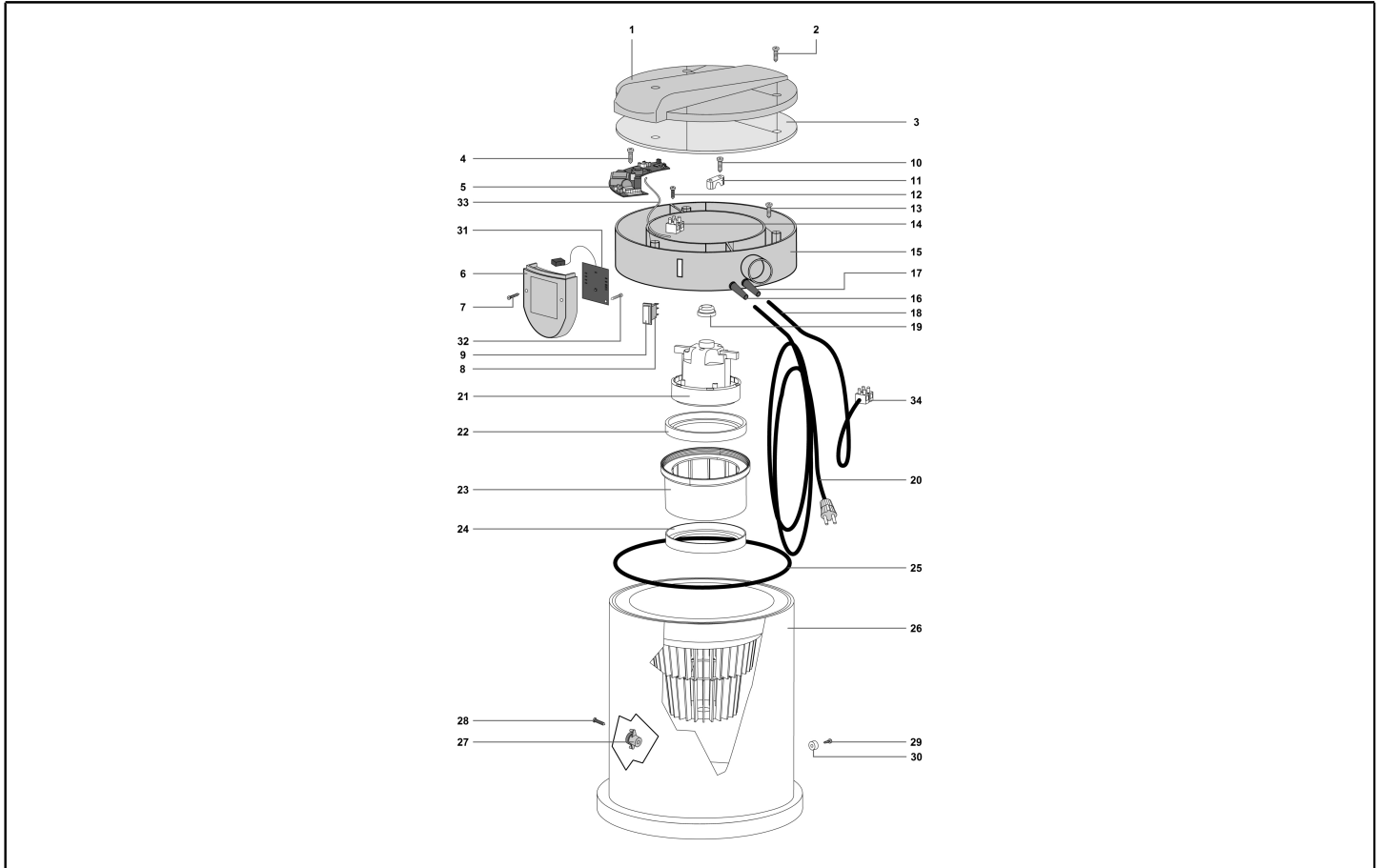
Cust.Model: HS1930 EL



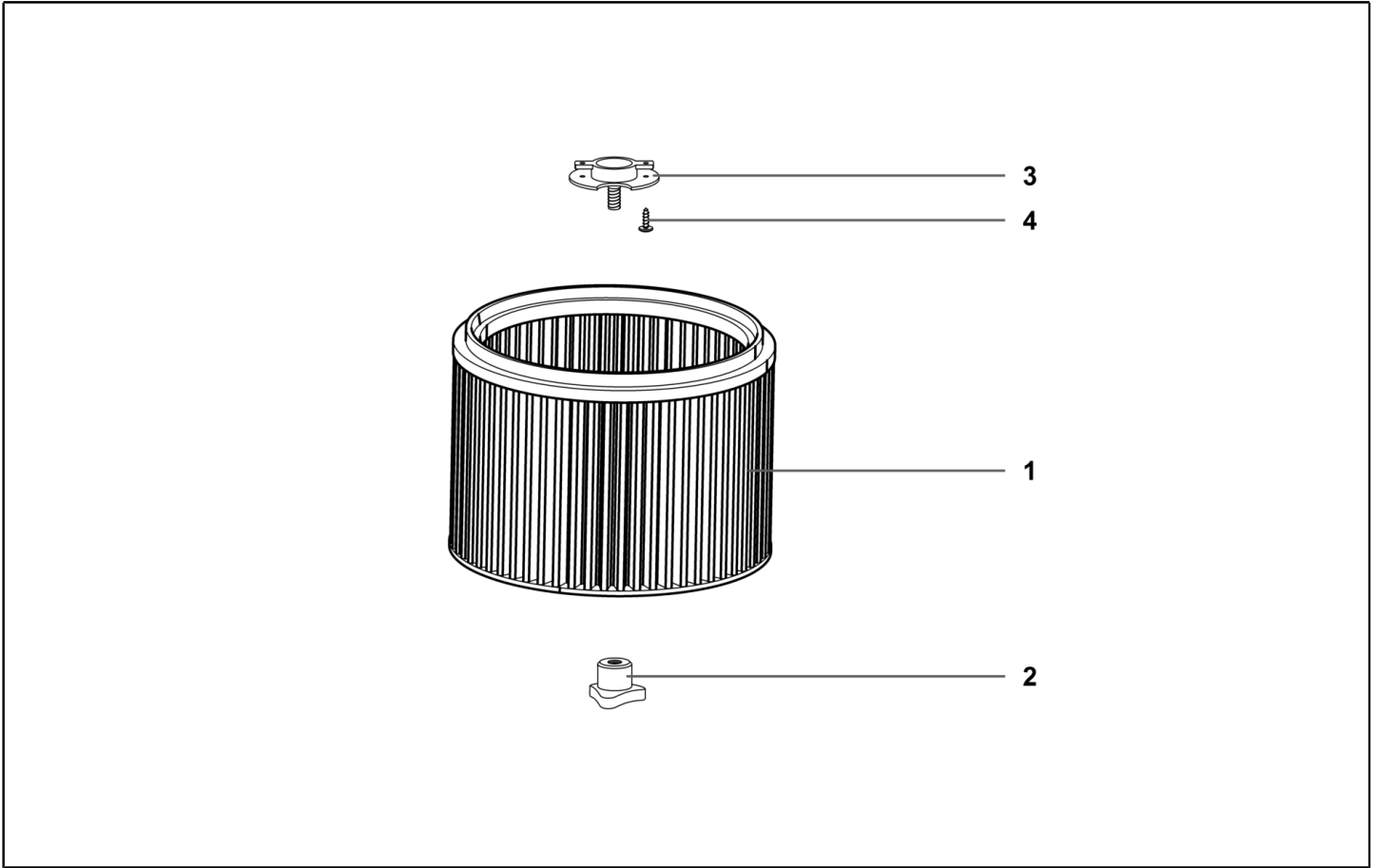
IPC Integrated Professional Cleaning

**IPC Soteco**

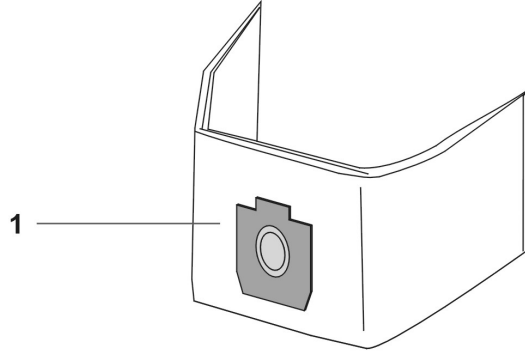
Ref. K	Part N.	Old Ref.	Description	Quantity	Validity		Price
					From	To	
0001	PMTA08166	07751 HG	HEAD DOMUS PLUS HG	1,00			--
0002	KTRI03654	020523 POLY	FILTER KIT MUST W/POLY	1,00			--
0003	FTDP00419	182038	PAPER BAG FOMA X 1730-1930	1,00			--
0004	PMFU01808	07454 FOMA	DOMUS HEAD W/INLET WHITE/G6 (FOMA)	1,00			--
0005	KTRI04537	07358 V FN	INSTALL.KIT CENTR. FOMA 4.5	1,00			--
0006	KTRI02526	148028	SET FOMA SCREWS + PLUGS	1,00			--



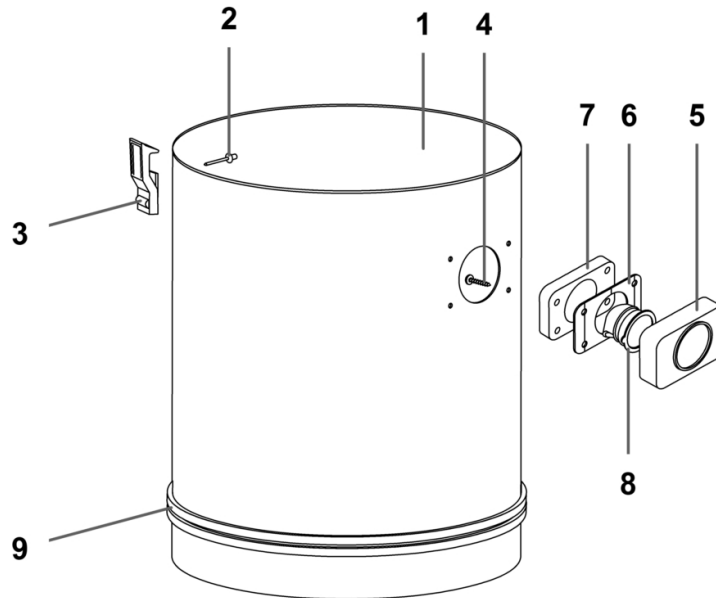
Ref. K	Part N.	Old Ref.	Description	Quantity	Validity		Price
					From	To	
*	FSVR00127	01106	CLAMP	4,00			--
*	MEVR01882	07785	ELEC.KIT TEMP. DOMUS PLUS	1,00			--
*	MECB01217	07786	ELECTR. KIT VISUAL DOMUS PLUS	1,00			--
*	ETET01898	07784	SERIGRAPHY PANEL DOMUS PLUS	1,00			--
0001	MPVR10256	07591G6	DOMUS PLUS COVER 2 SELF-EXT G6	1,00			--
0002	VTVT71961	01006	SCREW PFU TMT PHL 5X20 ZN NERA	3,00			--
0003	GUVR00392	07593	RING GASKET COV. DOMUS PLUS	1,00			--
0004	VTVT71960	01005	SCREW PAT TMT PHL 5X14 ZN BLACK	1,00			--
0005	MECE00638	07782	ELECTRONIC CARD DOMUS PLUS	1,00			--
0006	MPVR10265	07599G6	FRONTAL FOR CARD D/PL AUG6	1,00			--
0007	VTVT72106	02627	SCREW PAT TMT PHL 5X40 BLACK	2,00			--
0008	MECI00435	07777	UNIP. SWITCH BLACK	1,00			--
0009	MEVR02288	07777-1	UNIP.ANTISPLASH PROTECTION SWITCHER	1,00			--
0010	VTVT71961	01006	SCREW PFU TMT PHL 5X20 ZN NERA	4,00			--
0011	MPVR28690	00139	CABLE CLAMP	2,00			--
0012	VTVT01453		SCREW VITE TC PZ 4,2X16 ZN NERA	1,00	12/04/2018		--
0013	VTVT71961	01006	SCREW PFU TMT PHL 5X20 ZN NERA	6,00			--
0014	MECB01219	07788	EL.KIT MOT/POWER UNIT DOMUS PLUS	1,00			--
0015	MPVR10247	07584G6	DOMUS PLUS RING SELF-EXT.G6	1,00			--
0016	MEVR28673	00138	FAIRLEAD	1,00			--
0017	MEVR01874	07590	FAIR-LEAD DOMUS	1,00			--
0018	MECB01836	07789 FOMA	WIRING COM. REM. DOMUS PLUS FOMA	1,00			--
0019	MPVR40559	07502	MOT.FASTENER GUM G.EPDM30 D42X20	1,00			--
0020	MECB34364	03371	ELECTRIC CORD 2X1 MT 2,90	1,00			--
0021	MOMO00867	07717 D139	MOTOR TS25 CP TP 1500W 220-240	1,00			--
0022	GUVR00394	07636	L-GASKET D.139 H=5,5	1,00			--
0023	MPVR06935	07637	DOMUS SPACER F/SINGLE STAGE MOTOR	1,00			--
0024	GUGO28683	03901	"L" GASKET W/O HOLES H=5,5	1,00			--
0025	GUGO00343	07452	OR SEAL COVER	1,00			--
0026	PMBA00639	07189BI V/D	BASE DOMUS W/GASKET WHITE	1,00			--
0027	VVSC00059	07750/2	VALVE HIGH PRESSURE	1,00			--
0028	VTVT72114	02680	SCREW TC POZ 4X15 AC ZN BLACK	2,00			--
0029	VTVT72114	02680	SCREW TC POZ 4X15 AC ZN BLACK	2,00			--
0030	VTRS72158	02974	PLAST.WASHER	2,00			--
0031	MECE00639	07783	ELECTRONIC CARD VISUAL DOMUS PLUS	1,00			--
0032	VTVT01239	07776	SCREW TC CROSS 2,9X6,5 UNI 6954	4,00			--
0033	TBBP00547	07604	TUBE PVC D.5X3 CM46 X WAR LIGH	1,00			--
0034	MEVR00997	00450	TERMINAL BOARDTERMINAL BOARD 2 POLES	1,00			--



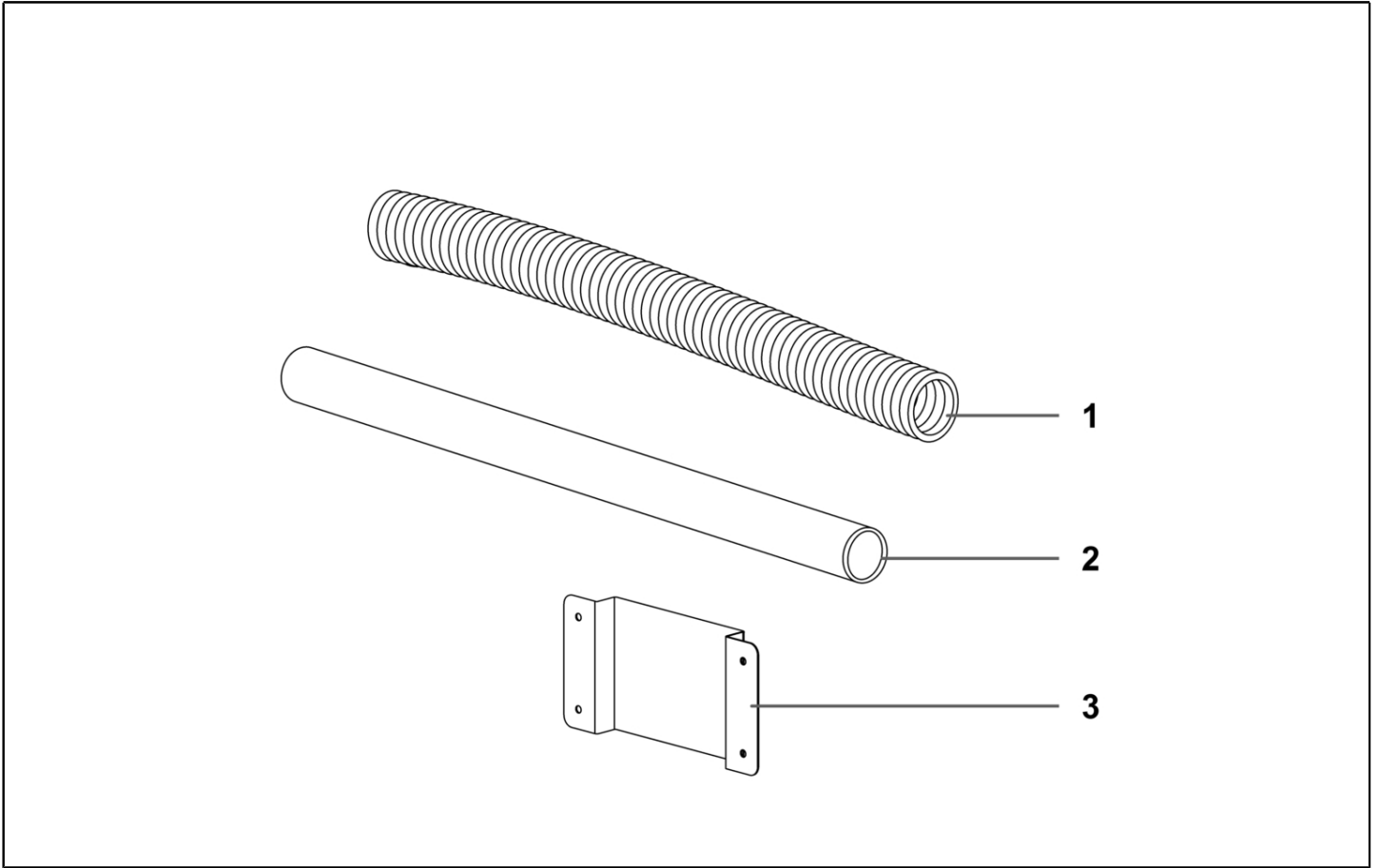
Ref. K	Part N.	Old Ref.	Description	Quantity	Validity		Price
					From	To	
0001	FTDP00352	021046	POLY CARTRIDGE 175X145X160 CIFF	1,00			--
0002	VTVR00346	01732	HAND-WHEEL M 10 "F" 3 POINTS	1,00			--
0003	MPVR07213	020476	THREADED PLATE F/HOOKING FILTER	1,00			--
0004	VTVT01193	06399	SCREW PAT TMT PHL 5X15 ZN BLACK	2,00			--



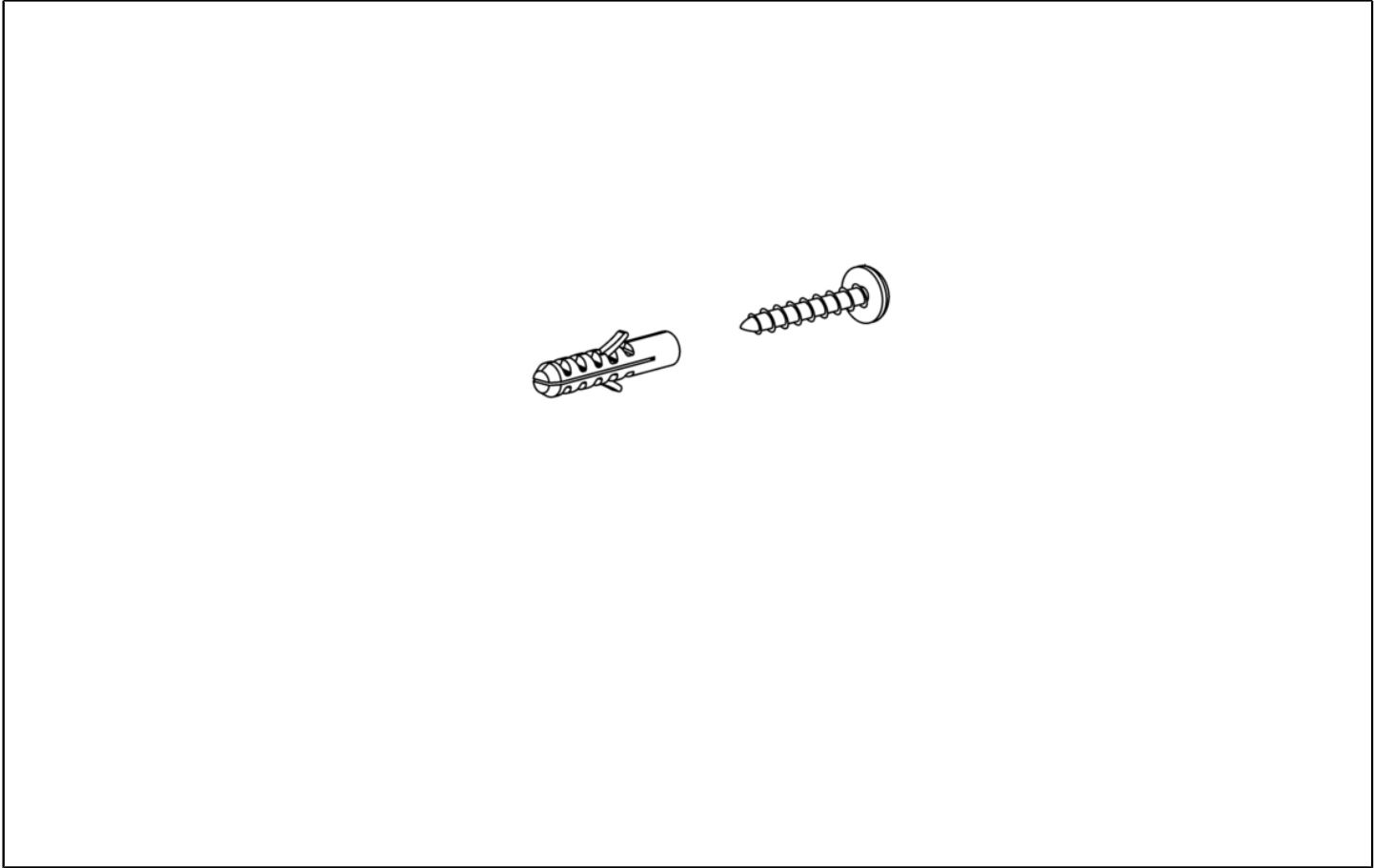
Ref. K	Part N.	Old Ref.	Description	Quantity	Validity		Price
					From	To	
0001	FTDP00419	182038	PAPER BAG FOMA X 1730-1930	1,00			--
0001	FTDP00419	182038	PAPER BAG FOMA X 1730-1930	1,00			--



Ref. K	Part N.	Old Ref.	Description	Quantity	Validity		Price
					From	To	
0001	PMVR04089	03925 FOMA	DOMUS TANK WHITE W/HOLE FOR INLET	1,00			--
0002	VTVR71992	01302	RIVET 4,8X17	4,00			--
0003	CHVR28735	01847/SNE	COMPLETE PLASTIC HOOK BLACK	2,00	15/02/2016		--
0004	VTVT71966	01026	SCREW PAT TMT PHL 5X30 BLACK	4,00			--
0005	MPVR10217	07190G6	CENTR.INLET DOMUS GR6000	1,00			--
0006	GUVR00430	021165	GASKET INLET DOMUS	1,00			--
0007	MPVR08681	02586G6	GASKET R 205 GREY 6000	1,00			--
0008	MPVR42004	02767	DEFLECTOR 99/60	1,00			--
0009	MPVR08917	02630 AG6	SHOCKPROOF BAND AL MT. GR6000	0,90			--



Ref. K	Part N.	Old Ref.	Description	Quantity	Validity		Price
					From	To	
0001	TBFX00941	07497 G	FLEX HOSE D.60 GREY MT.0.60	2,00			--
0002	TBBP00552	020046	TUBE PVC DA 2" WHITE	1,00			--
0003	LAFN10215	07311 V	PAINTED WALL BRACKET FE GR.5	1,00			--



Ref. K	Part N.	Old Ref.	Description	Quantity	Validity		Price
					From	To	
	KTRI02526	148028	SET FOMA SCREWS + PLUGS	1,00			--
	KTRI02526	148028	SET FOMA SCREWS + PLUGS	1,00			--