

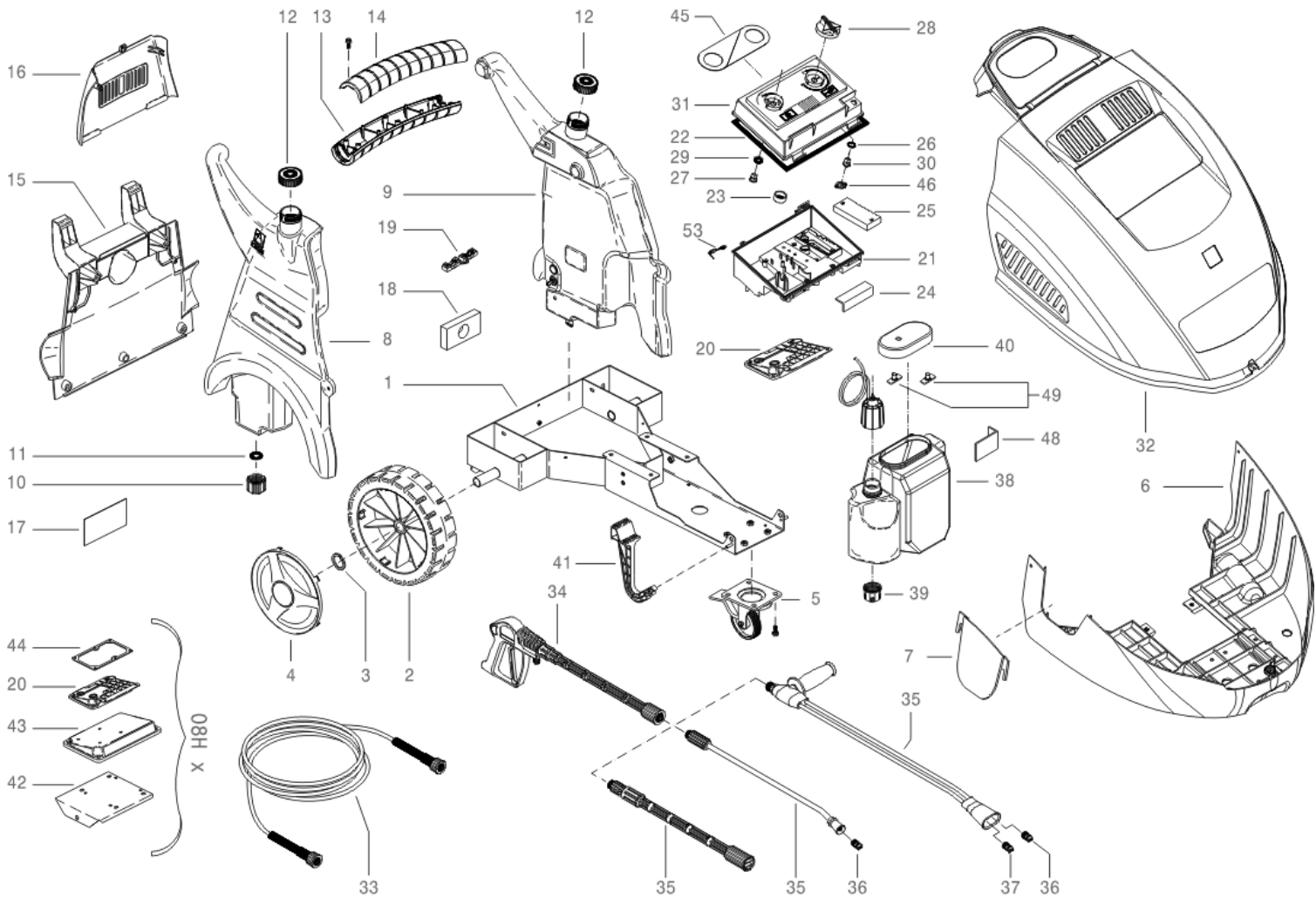


Spare Parts List

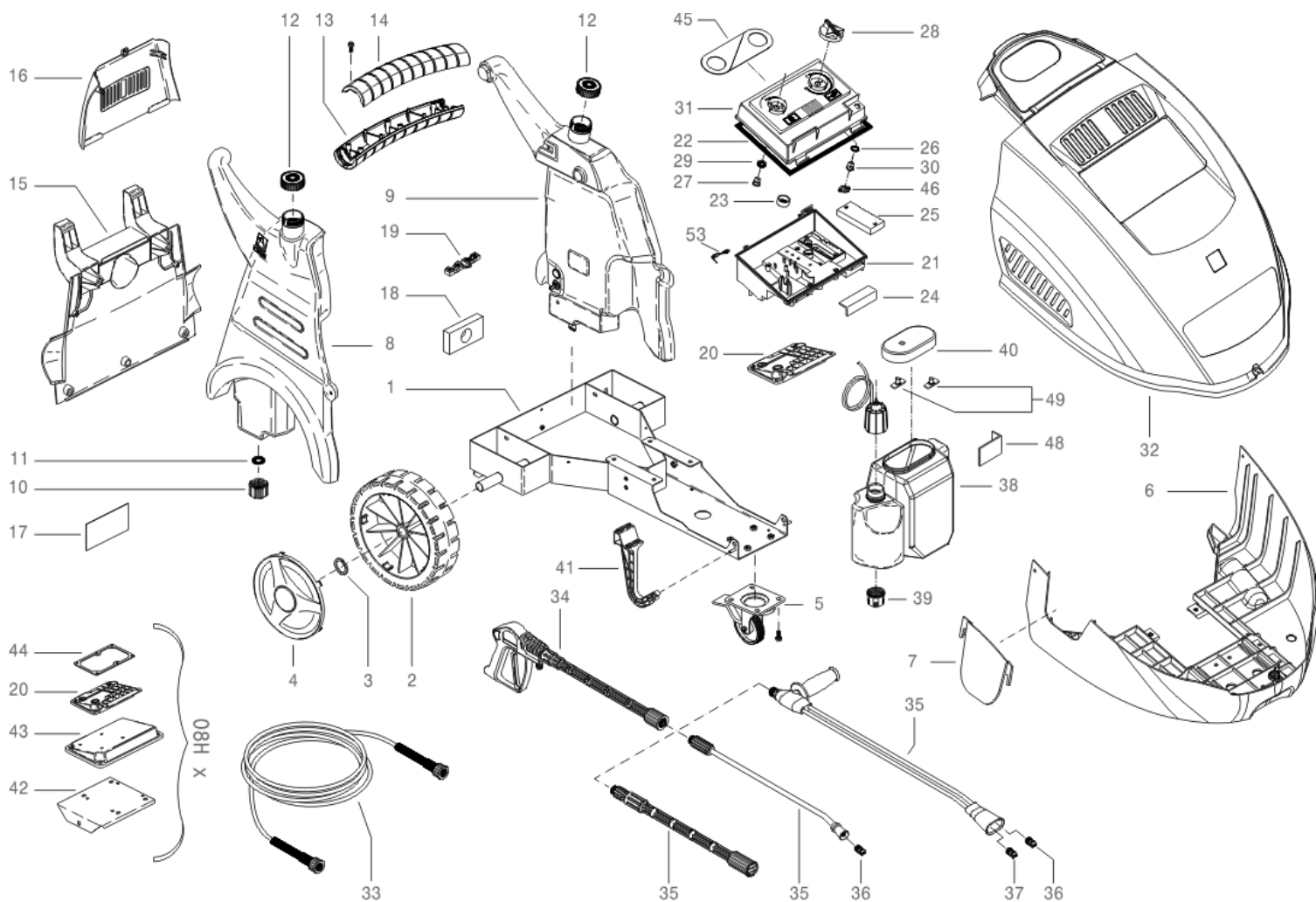
FOMA NORGE AS

Ref: IDAC40234 - 121495

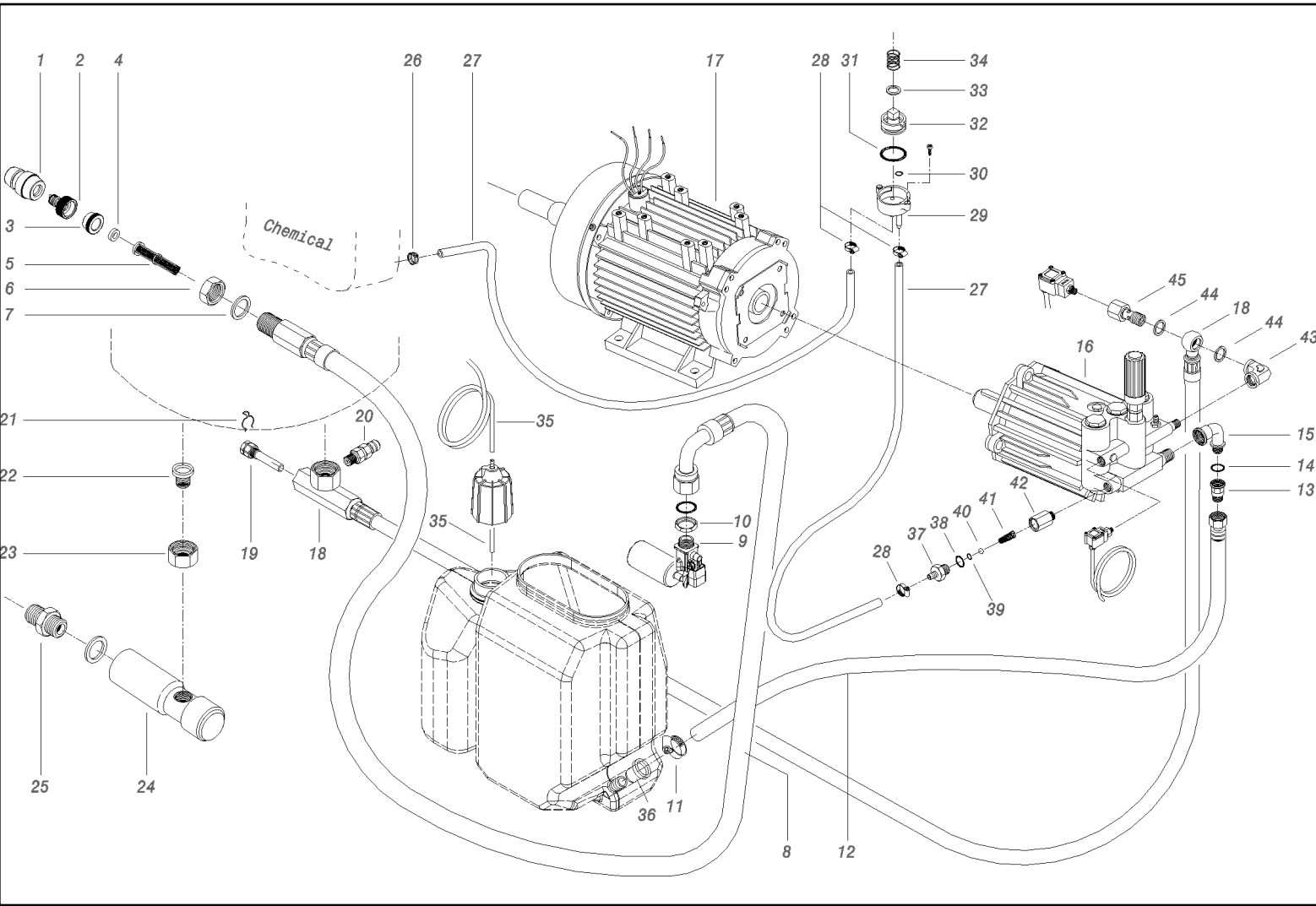
Model: Powerwash 130 TST



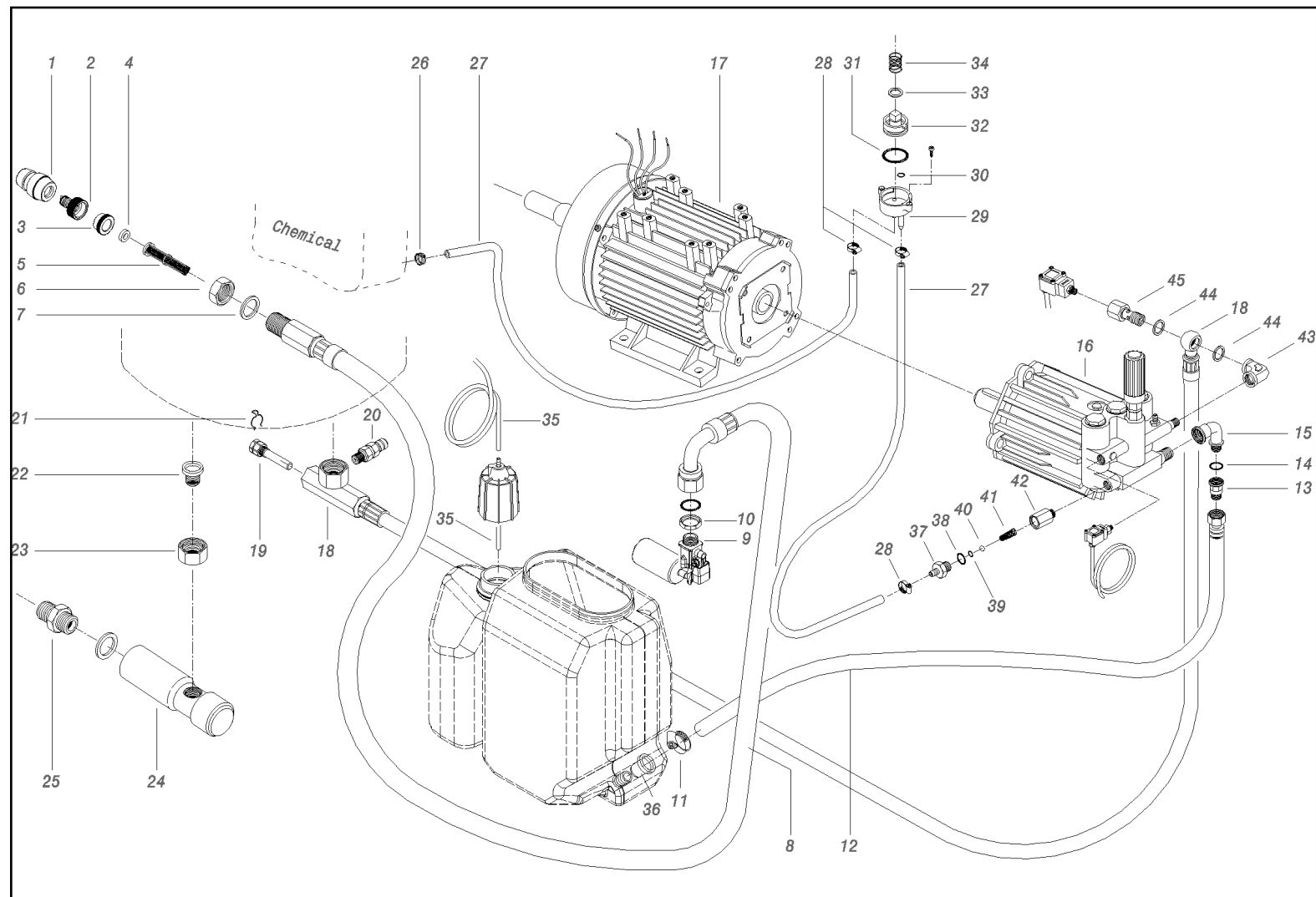
Ref.	K	Part N.	Customer Part N.	Description	Qty	Validity:		Price
						From	To	
0001		LAFN40288		CHASSIS P190 3V. BK.	1,00	07/2010		--
0001		LAFN48940		CHASSIS P190 2V. BK.	1,00		07/2010	--
0002		RTRT45383		WHEEL D.305-D.25 RT-IPC	2,00			--
0003		VTRS09813		WASHER D.25	2,00			--
0004		MPVR45384		RED WHEEL COVER. 305 RT-PRT	2,00			--
0005		RTRT47975		TURNING WHEEL D.100 P MZ.PLS.	1,00			--
0006		MPVR48384		COVER P190 PPL.BK	1,00			--
0007		MPVR48383		DOOR P190 PPL.BK	1,00			--
0008		MPVR48088		TANK P190 PEHD	1,00			--
0009		MPVR48087		FUEL TANK P190 PEHD	1,00			--
0010		PVVR11806		DISCHARGE CAP FLL	2,00			--
0011		GUGO11489		GASKET D.22X1,5	2,00			--
0012		MPVR45426		TANK CAP P176 PEHD	2,00			--
0013		MPVR48495		HANDLE P190 PA6 BK.	1,00			--
0014		MPVR48496		HANDLE P190 PA6 BK.	1,00			--
0015		MPVR48116		BACK PANEL P190 PPL BK.	1,00			--
0016		MPVR48390		BACK PANEL P190 PPL RD.	1,00			--
0019		MEVR33994		CABLE FASTNER 4228 B D. 6- 18	1,00			--
0020		MPVR47818		PLATE P190 PA6 BK.	1,00			--
0021		LAFN20138		CONTROL BOX KSM	1,00			--
0022		GUGO27129		JOINT 10X3	1,05			--
0024		LAFN30211		SUPPORT SLR	1,00			--
0025		MPVR20143		CABLE CLAMP COVKSM	1,00			--
0026		GUGO01035		O-RING D. 13.95 X 2.62 NBR 70SH	1,00			--
0027		MPVR23482		TAIL PIECE TEC. TUV	1,00			--
0028		MPVR46511		GREY KNOB KSM C/F.FIS.	3,00			--
0029		GUGO23079		V-SEAL RING VA0014 13.5- 15.5	1,00			--
0030		MPVR23484		TAIL PIECE THERM.KSM TUV	1,00			--
0031		MPVR88820		BOX COVER P190 C/F.THS BK.	1,00			--
0032		MPVR48385		RED COVER P190 SUP. PP	1,00			--
0033		TBAP40012		H.P. HOSE R1 MT 10 1/4" C/2 IRV IX	1,00			--
0034		IPPR89429		GRIP G 4500 - P.330 -M22SW.M V	1,00			--
0035		LCPR12976		EXTENSION P 70	1,00			--
0036		UGLN49990		NOZZLE LECH 1/4 25034	1,00			--
0038		MPVR89076		WATER TANK P190-2V. PEHD BK.	1,00			--
0039		MPVR20187		RING NUT M 39 X 3	1,00			--
0040		MPVR89077		TANK COVER P190 PA6 BL.	1,00			--
0041		MPVR47819		BRACKET P190 PA6 BK.	2,00			--
0045		ETET88759		LABEL P190-CHALL. GRY PLC	1,00			--



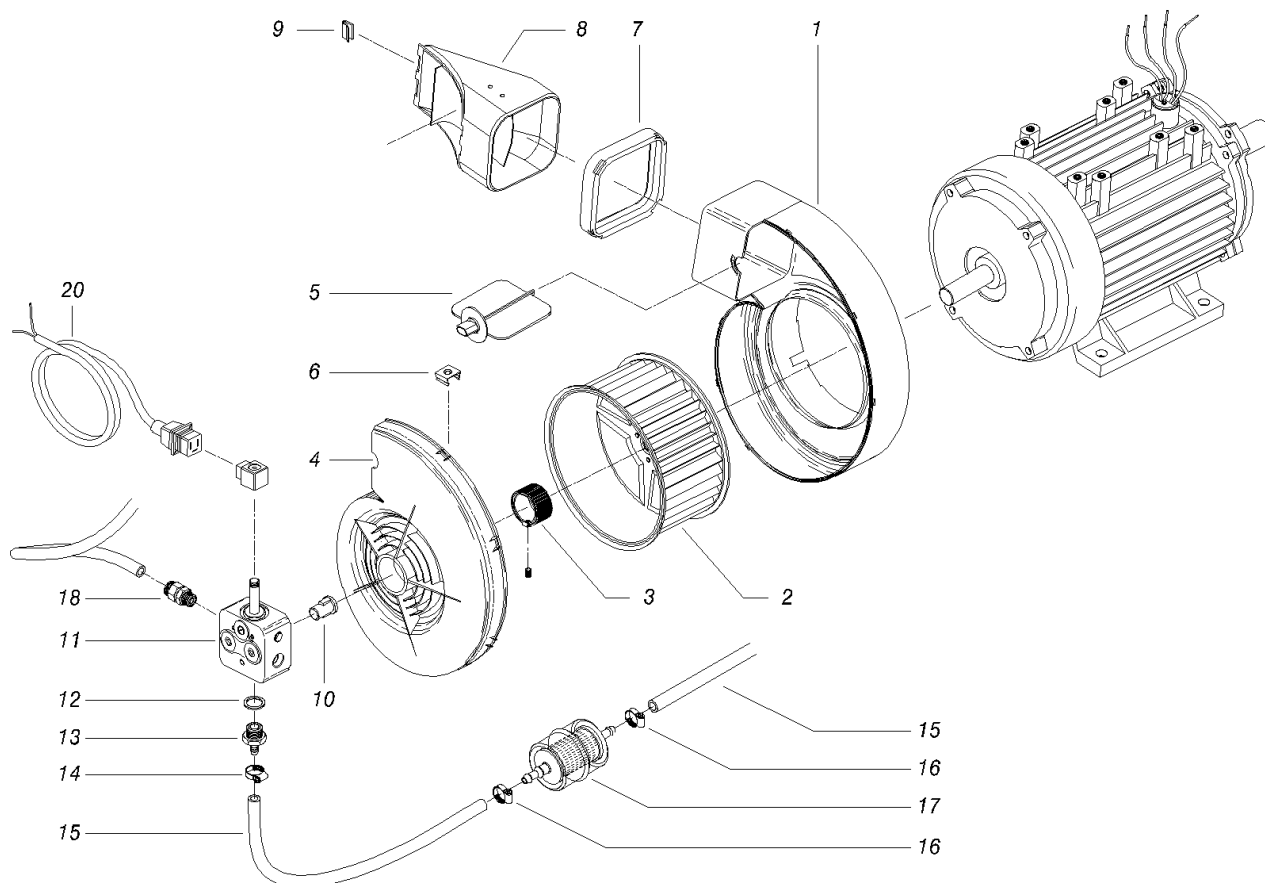
Ref.	K	Part N.	Customer Part N.	Description	Qty	Validity:		Price
						From	To	
0046		MPVR41903		THICKNESS TERM.IM.PA66	1,00			--
0048		LAFN89079		PANEL P190 INX	1,00			--
0049		MPVR89078		PLATE P190 PA6 BL.	2,00			--
0053		MEVR27264		FUSE-HOLDER 031-1081	1,00			--



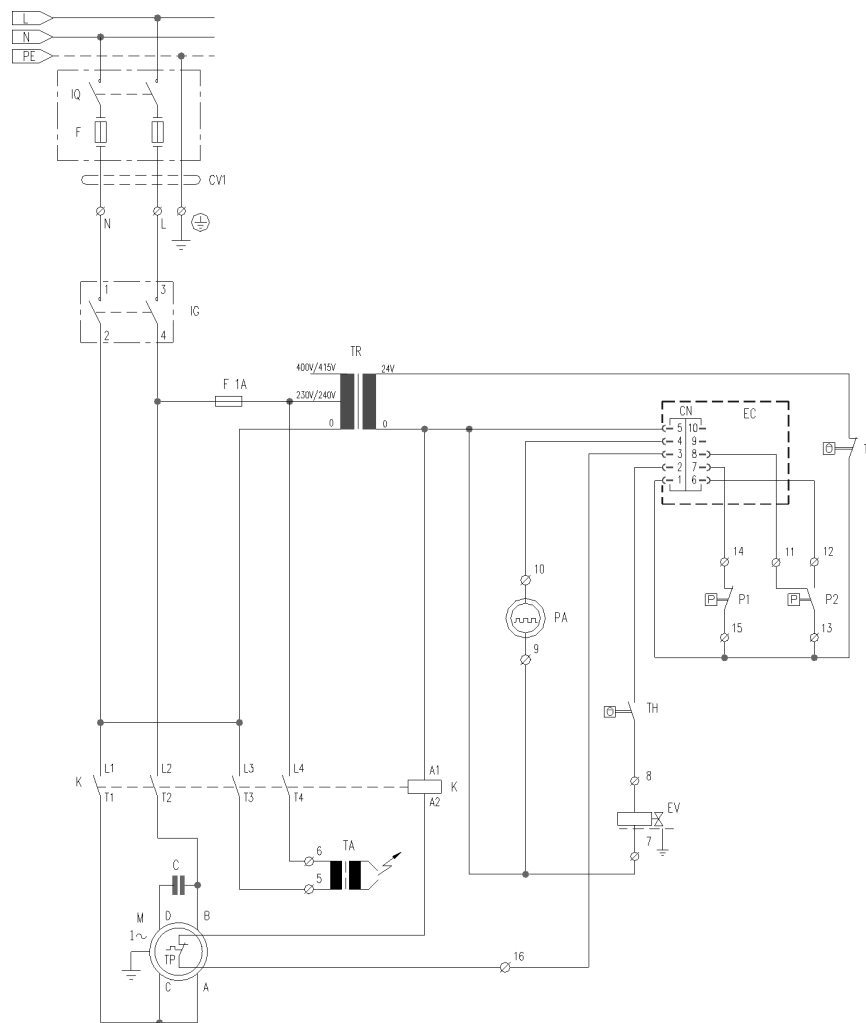
Ref.	K	Part N.	Customer Part N.	Description	Qty	Validity: From To	Price
0001		RCVR29602		CONNECTOR D. 1/2"-5/8" PTC	1,00		--
0002		RCVR29600		SOCKET PTC 3/4 F	1,00		--
0003		RCVR37806		REDUCTION PTC 3/4-1/2 M/F	1,00		--
0004		GUGO37736		GASKET D. 10- 19 X 5 70SH	1,00		--
0005		FTAC30214		FILTER D.15X67	1,00		--
0006		RCDS49875		RING NUT 1/2"X 6 CH.27 OT.	1,00		--
0007		VTRS00549		WASHER D.21,5X27X1.5 (1/2) RM	1,00		--
0008		TBBP48636		L.P. HOSE L= 950 3/4F 90°- 1/2M 0°	1,00		--
0009		RCGR60703		FLOATER MTM 3/4 PP. S/F.	1,00	05/2010	--
0010		RCVR49974		RING NUT 3/4" X 4 NIK	1,00		--
0011		FSVR00431		CLAMP D. 16-25	1,00		--
0012		TBBP87602		L.P. HOSE L=350 3/4F 90°-LB.	1,00		--
0013		RCVR40022		REDUCTION 3/4-1/2 M/F PPL GEO.L	1,00		--
0014		GUGO19395		O-RING D. 20.24 X 2.62 NBR 70SH	1,00		--
0015		RCVR40021		ELBOW 1/2" M/F PPL GEO.L	1,00		--
0016		PPAP40035		PUMP XJS 10.15 AX N OT.1.4.ONP	1,00		--
0017		MOMO40008		1PH MOTOR P190 HP 3 230-50 2P H9/AX	1,00	04/2011	--
0017		MOMO40015		1PH MOTOR P190 HP 3 230-50 2P H9A-E	1,00	04/2011	--
0018		TBAP40037		HOSE-FITTING 3/ 8 R1 L=480 3/8OC.-PM26	1,00		--
0019		RCDS00593		SUMP IM 0-120 L=50	1,00		--
0020		VVSC89643		VALVE MG 1000 G1/4M-M D.8 200B	1,00		--
0021		MLML02623		SPRING IMT	1,00		--
0022		RCDS21118		CONNECTOR KSM	1,00		--
0023		RCDS21119		NUT KSM	1,00		--
0024		RCDS48935		BLOCK 3VIE 3/8-1/4 M14X1 F ZC	1,00		--
0025		RCDS13012		NIPPLE M22-3/8 D. 7.5	1,00		--
0026		FSVR72803		CLAMP D 9.3 - 9.9	1,00		--
0027		TBBP04917		L.P. HOSE D. 6- 9	0,85		--
0027		TBBP04917		L.P. HOSE D. 6- 9	0,50		--
0028		FSVR11957		CLAMP D. 9.5-12 CLIC	2,00		--
0029		RCGR08069		TAP BODY DET. PRT	1,00		--
0030		GUGO08071		O-RING D. 4.48 X 1.78 NBR 70SH	1,00		--
0031		GUGO12183		O-RING D. 23.4 X 3.53 VIT 70SH	1,00		--
0032		RCGR08070		ADJUSTER PRT	1,00		--
0033		VTRS00542		WASHER D.14X20	1,00		--
0034		MLML08068		SPRING D.1,5 L.23	1,00		--
0035		TBBP00058		L.P. HOSE D. 4- 6	0,25		--
0035		TBBP00058		L.P. HOSE D. 4- 6	0,35		--
0036		MPVR40176		WATER NOZZLE P190 D. 5 PVC	1,00	04/2009	--



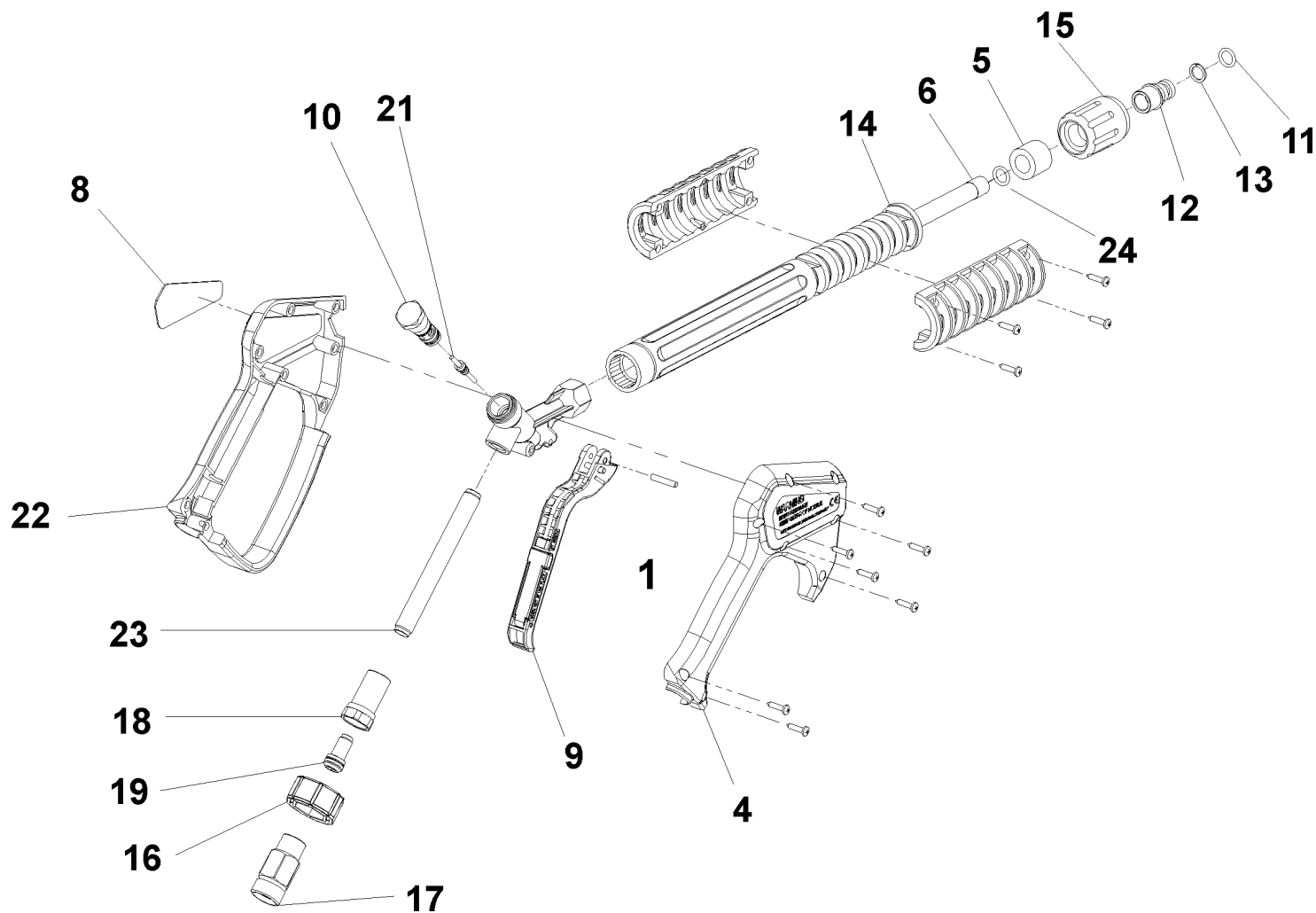
Ref.	K	Part N.	Customer Part N.	Description	Qty	Validity:		Price
						From	To	
0036		FSVR72800		CLAMP D 8.3 - 8.8	2,00			--
0037		RCDS10546		VALVE SEAT 1/4M + PG. D.3-7.5 OTT	1,00	04/2009		--
0038		GUGO01036		O-RING D. 10.82 X 1.78 NBR 70SH	1,00	04/2009		--
0039		GUGO01055		O-RING D. 5.28 X 1.78 VIT 70SH	1,00	04/2009		--
0040		SFVR04274		BALL D. 7/32	1,00	04/2009		--
0041		MLML21505		SPRING D. 8 X5 X0.3	1,00	04/2009		--
0042		RCDS46072		VALVE BODY N/R 1/4F-1/4 P176 OT	1,00	04/2009		--
0043		RCVR41987		ELBOW 3/8" F.A.P. OT.MTM	1,00			--
0044		VTRS00548		WASHER D.17,5X23X1,5 (3/8)RM	2,00			--
0045		RCDS40031		SCREW G 3/8 - 3/8F L=50 ZC.	1,00			--



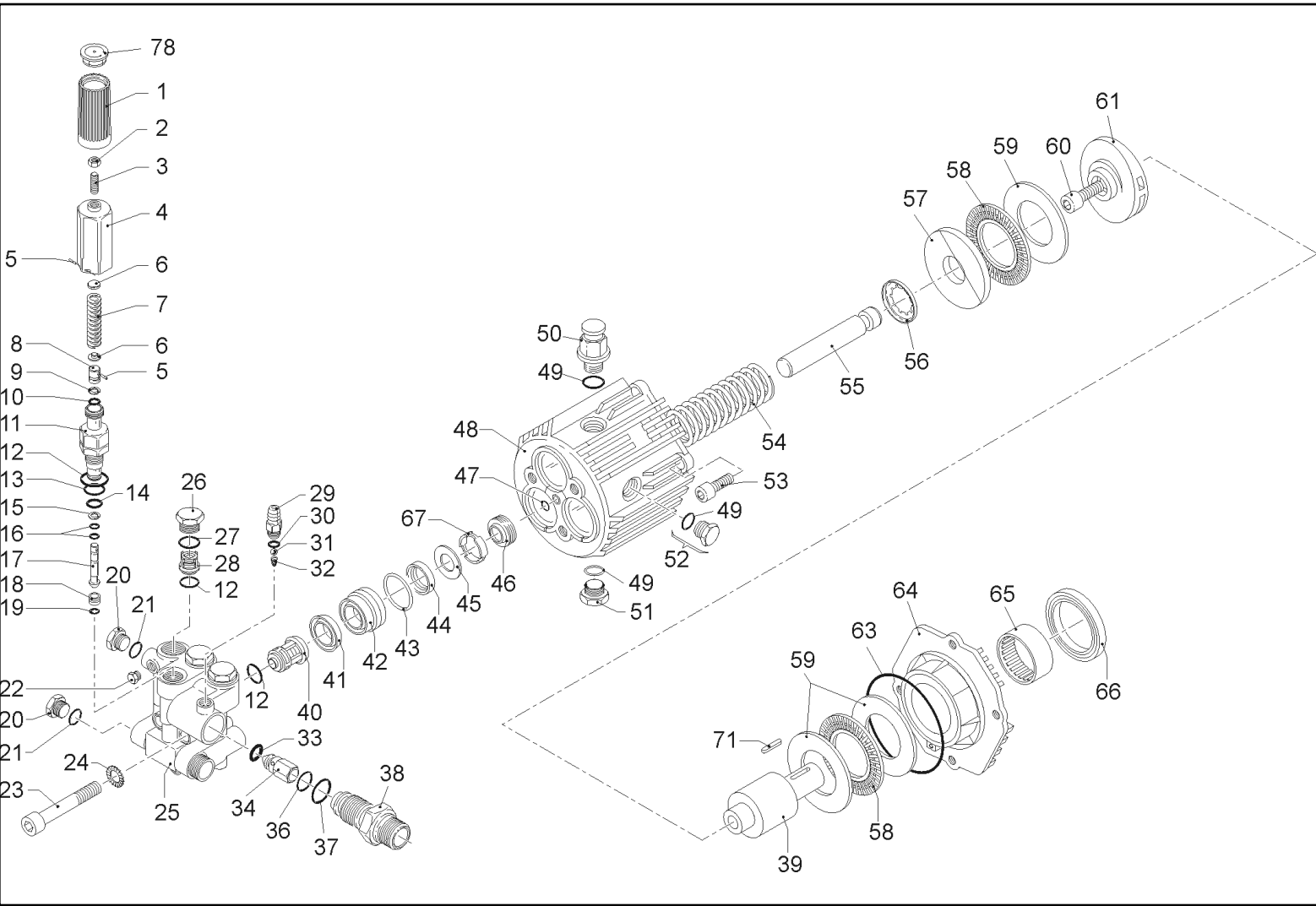
Ref.	K	Part N.	Customer Part N.	Description	Qty	Validity:		Price
						From	To	
0001		MPVR20125		SCROLL BODY KSM PP	1,00			--
0002		VEVR20128		IMPELLER KSM D.140 29P. PA66	1,00			--
0003		LAFN21890		BUSHING D. 25	1,00			--
0004		MPVR20126		VENTILATOR COV.KSM PP	1,00			--
0005		MPVR20129		BUTTERFLY VALVEKSM PP	1,00			--
0006		VTVR20127		CLIP KSM	1,00			--
0007		GUGO20124		GASKET KSM	1,00			--
0008		MPVR48497		CONVEYOR P190 PA6 BK.	1,00			--
0009		MPVR21415		CLIP KSM	2,00			--
0010		FGGT49223		JOINT KSM/P190 2V. PP	1,00			--
0011		PPGS40002		FUEL PUMP DNF BFA 01R3R1	1,00			--
0012		VTRS04931		WASHER COPPER D.13X19X1.5	1,00			--
0013		RCDS00626		HOSE FITTING 1/4 M D. 5- 7	1,00			--
0014		FSVR00427		CLAMP D. 12 CLIC 66-110	2,00			--
0015		TBCO06945		L.P. HOSE D. 6-12 10BAR C.PRESS	0,70	12/2003		--
0015		TBCO06945		L.P. HOSE D. 6-12 10BAR C.PRESS	0,65	12/2003		--
0016		FSVR11197		CLAMP D.I. 11 13315	2,00			--
0017		FTCO10912		FILTER FB 13/TA NYL.	1,00			--
0018		RCVR14014		BI-CONE CONNEC.DTT 1/8"M B1 D. 2/ 4 NIK	1,00			--
0020		MECB18118		CABLE DLT L=1.600	1,00			--



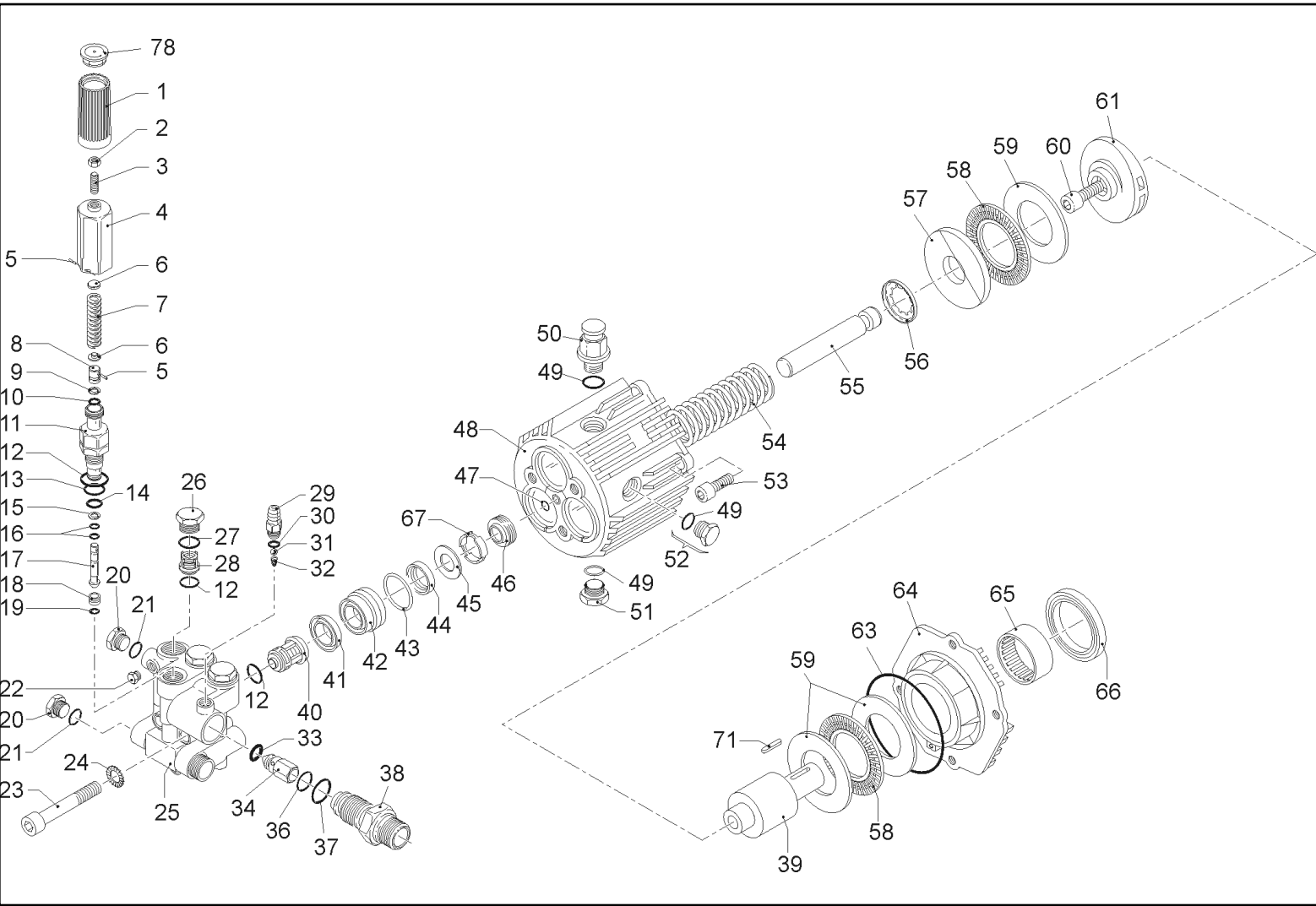
Ref.	K	Part N.	Customer Part N.	Description	Qty	Validity:		Price
						From	To	
F		MEVR02824		FUSE 5X20 1A	1,00			--
K		METT43990		CONTACTOR SIE 3RT 1017 1AB01 5/60HZ	1,00			--
EC		MECE48580		PCB P190 T-ST/MP V.PLUS	1,00			--
EV		MEBE43704		COIL DNF 24-50	1,00	04/2011		--
IG		MECI21622		SWITCH TEC 20A HD2002 R000	1,00		05/2011	--
IG		MECI40022		SWITCH BRM BP. 0-1 20A	1,00	05/2011		--
P1		MEPF45229		PRESSURE SWITCHMTM 3/8M NA/NC 25B. MICRO	1,00			--
P2		MEPF39902		PRESSURE SWITCHMTM 1/4M NA/NC 25B. MICRO	1,00			--
PA		MEPD25575		DESCALING PUMP NME-1 24V CPL.	1,00			--
TA		METR88630		TRANSFORMER 23/240V-5/60HZ 2X26KV TR.	1,00			--
TH		METK19354		THERMOSTAT 0-150° L=1500	1,00		12/2010	--
TH		METK40006		THERMOSTAT 0-150° L=1500 S&R	1,00	12/2010		--
TR		METR40003		TRANSFORMER 35VA 230-400/24 5/60HZ PM	1,00			--
TS		METK40007		THERMOSTAT 65°C NSP-040 PT RIPR.	1,00	04/2011		--
TS		METK49116		THERMOSTAT 65°C TG400 C.1,5 RIPR.	1,00		04/2011	--
CV1		MECB21515		CABLE H07 RNF 3X1.5 L=6.500	1,00			--



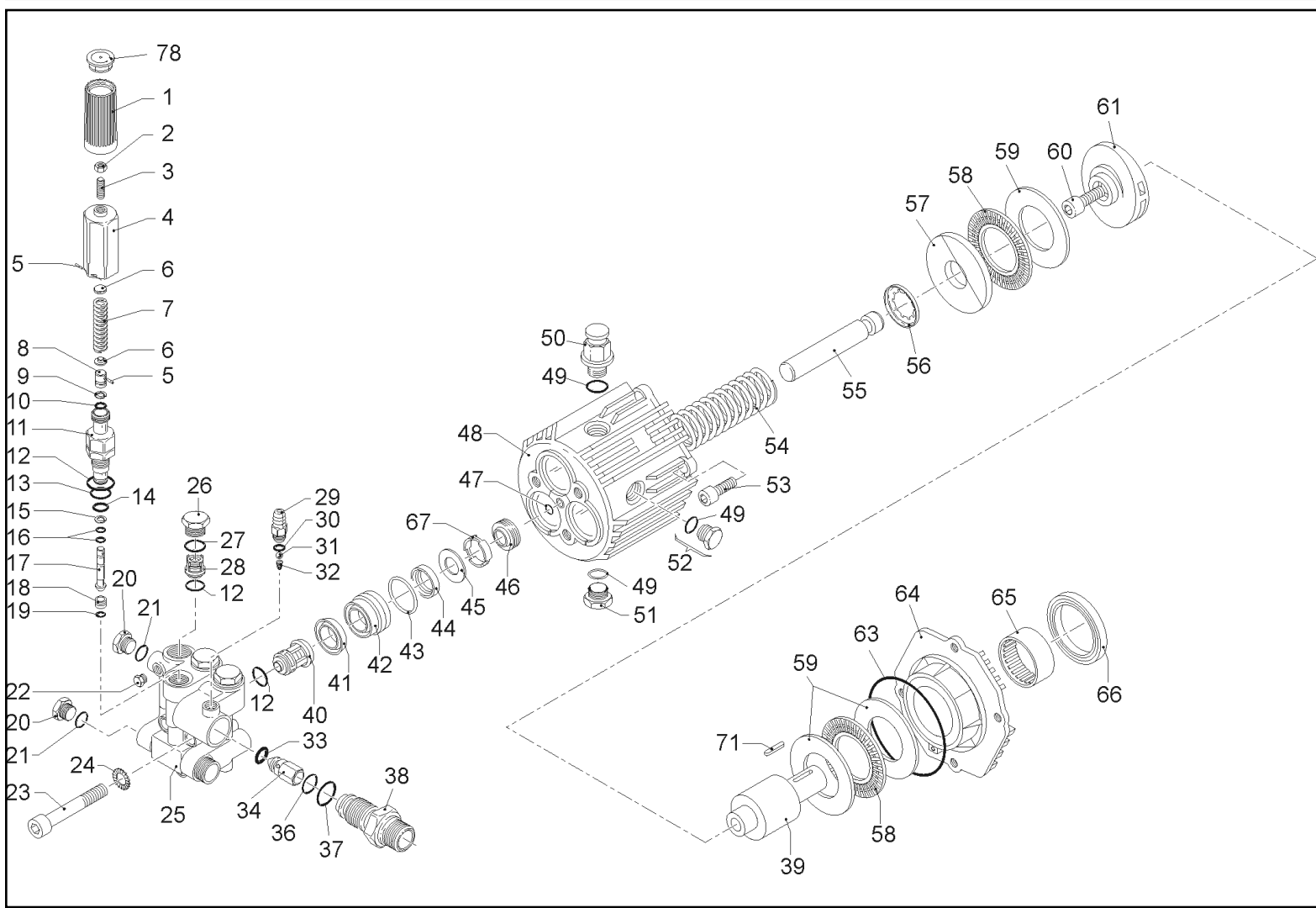
Ref.	K	Part N.	Customer Part N.	Description	Qty	Validity:		Price
						From	To	
0001		VTVR46568		PLUG G 4500	1,00			--
0004		MPVR40157		COVER G 4500 2V.	1,00	05/2008		--
0004		MPVR46563		COVER G 4500	1,00		04/2008	--
0005		MPVR46572		SPACER P 330 ST	1,00			--
0006		LCPR40007		TUBE 1/4 L=352 ZC. 2V.	1,00	05/2008		--
0006		LCPR46571		TUBE 1/4 L=352 ZC.	1,00		04/2008	--
0008		MPVR46569		PLATE G 4500 RD.	1,00			--
0009		MPVR40057		TRIGGER G 4500 -SW	1,00			--
0010		PVVR40030		SMALL PISTON TM ST-2300	1,00			--
0011		GUGO10384		O-RING D. 10 X 2.2 VIT 80SH	1,00			--
0012		RCVR13030		GUDGEON G 1/4 F L=31.5	1,00			--
0013		GUVR10526		ANTI-EXTR.RING D.13.9X10.2 C.BZ	1,00			--
0014		MPVR46570		PROTECTION P 330 ST	1,00			--
0015		PVVR13445		CONNECTION M 22X1,5 L=45	1,00			--
0016		MPVR40058		RING NUT G4500 SW.	1,00			--
0017		RCIN40001		JOINT SWIV 4500 3/8"F	1,00		04/2008	--
0017		RCIN40005		JOINT SWIV 4500 3/8"F 2V.	1,00	05/2008		--
0018		RCIN31641		CONNECTOR SWIV 1500 F	1,00			--
0019		KTRI31645		KIT P 26- 14	1,00			--
0021		PVVR40031		ROD ST-2300	1,00			--
0022		MPVR40156		SHELL G 4500 2V.	1,00	05/2008		--
0022		MPVR46562		SHELL G 4500	1,00		04/2008	--
0023		PVVR40023		TUBE G 1/4" M/M P/SW.	1,00			--
0024		GUGO27021		O-RING D. 11 X 2.5 EPD 70SH	1,00	05/2008		--



Ref.	K	Part N.	Customer Part N.	Description	Qty	Validity:		Price
						From	To	
0001		MPVR40162		KNOB AR XJS	1,00			--
0002		VTDD00482		NUT M 6 ZIN UNI 5588	1,00			--
0003		VTVT20261		SCREW EI-ST 6X20 UNI5923	1,00			--
0004		PVVR40066		REGISTER AR XJS	1,00			--
0005		VTVR19193		PLUG D. 2.5X10	2,00			--
0006		PVVR40067		SPRING PLATE AR XJS	2,00			--
0007		MLML40007		SPRING D. 8 XJS	1,00			--
0008		PVVR40068		SMALL PISTON AR XJS SP.	1,00			--
0009		GUVR40026		ANTI-EXTR.RING D. 8	1,00			--
0010		GUGO06988		O-RING D. 7.66 X 1.78 NBR 70SH	1,00			--
0011		PVVR40069		PISTON GUIDE AR XJS	1,00			--
0012	S	GUGO02259		O-RING D. 15.54 X 2.62 NBR 70SH	7,00			--
0013		GUGO09720		O-RING D. 14 X 1.78 NBR 70SH	1,00			--
0014		GUGO63403		O-RING D. 8.73 X 1.78 NBR 70SH	1,00			--
0015		GUVR40027		ANTI-EXTR.RING D. 3	1,00			--
0016		GUGO19189		O-RING D. 2.90 X 1.78 NBR 70SH	2,00			--
0017		PVVR40070		CONTROL PISTON AR XJS IF.	1,00			--
0018		PVVR40071		VALVE SEAT AR XJS	1,00			--
0019		GUGO41692		O-RING D. 9 X 1 NBR 70SH	1,00			--
0020		RCVR01716		CAP 1/4X 7 M	2,00			--
0021		GUGO01036		O-RING D. 10.82 X 1.78 NBR 70SH	2,00			--
0022		RCDS19214		CAP 1/8 M	1,00			--
0023		VTVT40014		SCREW TCEI 10X65 UNI5931	3,00			--
0024		VTRS00519		WASHER D.10 DT	3,00			--
0025		MFVR40011		HEAD AR XJS OT.	1,00			--
0026		PVVR40072		CAP AR XJS	3,00			--
0027		GUGO03502		O-RING D. 17.86 X 2.62 NBR 70SH	3,00			--
0028	S	VVAM19220		VALVE UNIT XTS	3,00			--
0029		PVVR40073		VALVE SEAT 1/8M +PG. D.8 AR	1,00			--
0030		GUGO08071		O-RING D. 4.48 X 1.78 NBR 70SH	1,00			--
0031		SFVR04274		BALL D. 7/32	1,00			--
0032		MLML40008		SPRING D. 4	1,00			--
0033		GUGO12494		O-RING D. 4 X 2.5 -NBR 70SH	1,00			--
0034		PVVR40074		COUPLING N.RIT. XJS	1,00			--
0036		GUGO11652		O-RING D. 12.42 X 1.78 NBR 70SH	1,00			--
0037		GUGO03505		O-RING D. 15.6 X 1.78 NBR 70SH	1,00			--
0038		RCDS40063		CONNECTOR 3/8NPT-M18X1 D.4.0 OT.	1,00			--
0039		ALMO40004		SHAFT AR XJS 10 VRS. N	1,00			--
0040	S	VVAM40000		VALVE UNIT XJS BP	3,00			--



Ref.	K	Part N.	Customer Part N.	Description	Qty	Validity:		Price
						From	To	
0041	S	GUVR40028		PACKING D. 15 XJS	3,00			--
0042		PVVR40075		PACKING RETAIN.D. 15 XJS	3,00			--
0043	S	GUGO01057		O-RING D. 20.35 X 1.78 NBR 70SH	3,00			--
0044	S	PVVR40076		INTERMED. RING D. 15 XJS	3,00			--
0045	S	PVVR40077		RING D. 15 XJS	3,00			--
0046	S	GUGO40009		OIL SEAL D. 15 XJS	3,00			--
0047	S	GUGO10464		O-RING D. 5.28 X 1.78 NBR 70SH	1,00			--
0048		MFVR40012		PUMP CRANKCASE AR XJS	1,00			--
0049		GUGO09720		O-RING D. 14 X 1.78 NBR 70SH	3,00			--
0050		PVVR40078		OIL CAP AR XJS	1,00			--
0051		RCVR12243		CAP 3/8M L=10	1,00			--
0052		PVVR40079		CAP G 3/8 C/OR XJS	1,00			--
0053		VTVT00801		SCREW TCEI M 8X20 UNI 5931 ZC.	4,00			--
0054		MLML40009		SPRING AR XJS	3,00			--
0055	S	PIVR40002		PISTON D.15 XJS	3,00			--
0056		PVVR40080		RING D.15 XJS	3,00			--
0057		CUVR40003		THRUST BLOCK D.23X60H6	1,00			--
0058		CUVR92973		ROLLER BEARING AXK 4060	2,00			--
0059		CUVR92974		FLANGE D. 40X60-1 AS4060	3,00			--
0060		VTVT01118		SCREW TCEI M 8X16 ZC. UNI 5931	1,00			--
0061		PVVR40081		CAP XJS 10.15	1,00			--
0063		GUGO28317		O-RING D. 82.22 X 2.62 NBR 70SH	1,00			--
0064		MFVR40013		FLANGE AR XJS	1,00			--
0065		CUVR40004		ROLLER BEARING HK 4020	1,00			--
0066	S	GUGO23638		OIL SEAL 40X 52X 7 NBR70	1,00			--
0067		PVVR40082		SPACER D. 15 XJS	1,00			--
0071		VTVR10885		KEY 8X7X25	1,00			--
0078		MPVR40163		CAP AR XJS	1,00			--



Ref. Part N.	Cust. Part N.	Description	Reference	Price
KTRI40072		KIT P 15-2869 XJS	0012 0028 0040	--
KTRI40073		KIT P 15-2796 XJS	0055	--
KTRI40074		KIT P 15-2797 XJS	0046 0047 0066	--
KTRI40075		KIT P 15-2798 XJS D.15	0041 0043 0044 0045	--