



IPC

Spare parts list

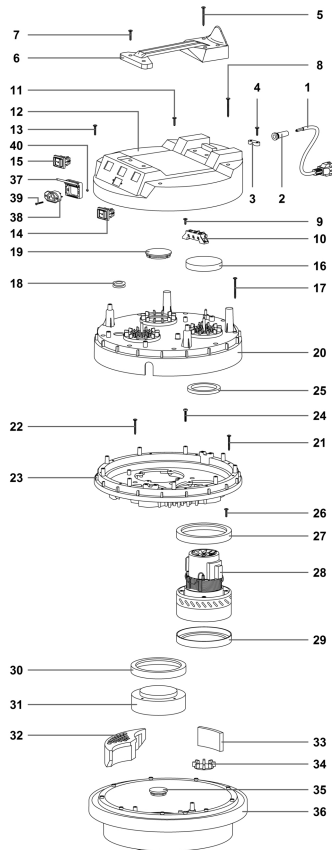
Ref: ASDO05918
Cust.ref: G700/12
Model:
Cust.model: 174050



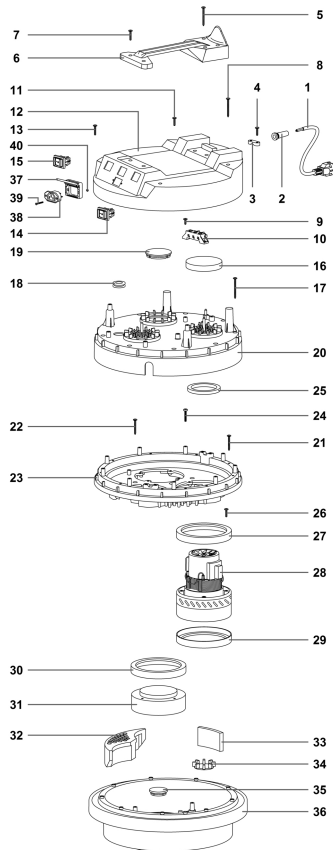
IPC Integrated Professional Cleaning

IPC Soteco

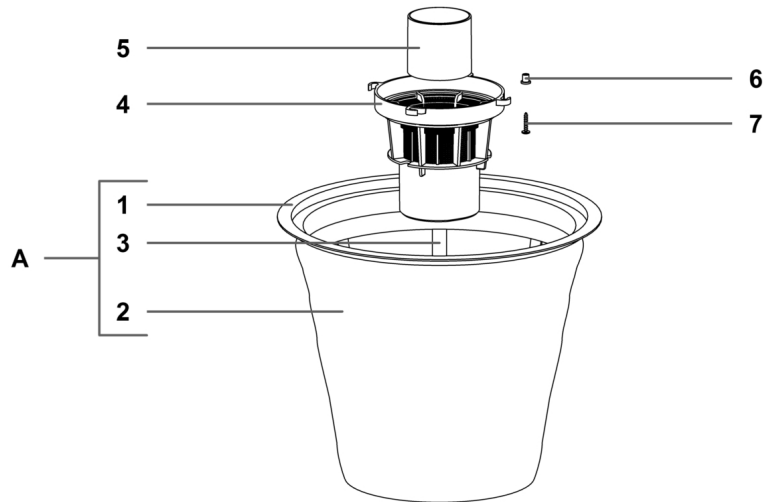
Ref. K	Part n.	Part n. 2	Description	Quantity	Validity		Price
					From	To	
0001	PMTA03440		HEAD GENIUS 700 1200W G6/RED	1,00			--
0002	KTRI72229		COMPL.FILTRATION KIT 400	1,00			--
0003	LAFN87146		CLEAR WATER TANK COMPL. GARAGE	1,00			--
0004	KTRI40132		DRAIN DEVICE D.34 COMP MARK	1,00			--
0005	PMFU00489		TANK GENIUS A304 G6 GRE-IPC CO	1,00			--
0006	CARR01429		TROLLEY BASE MARKET FOR SPACER	1,00			--
0007	PMDT01111		ACCESSORY KIT 38 ESTR WET T/4,5 TYP3	1,00	01/12/2017		--



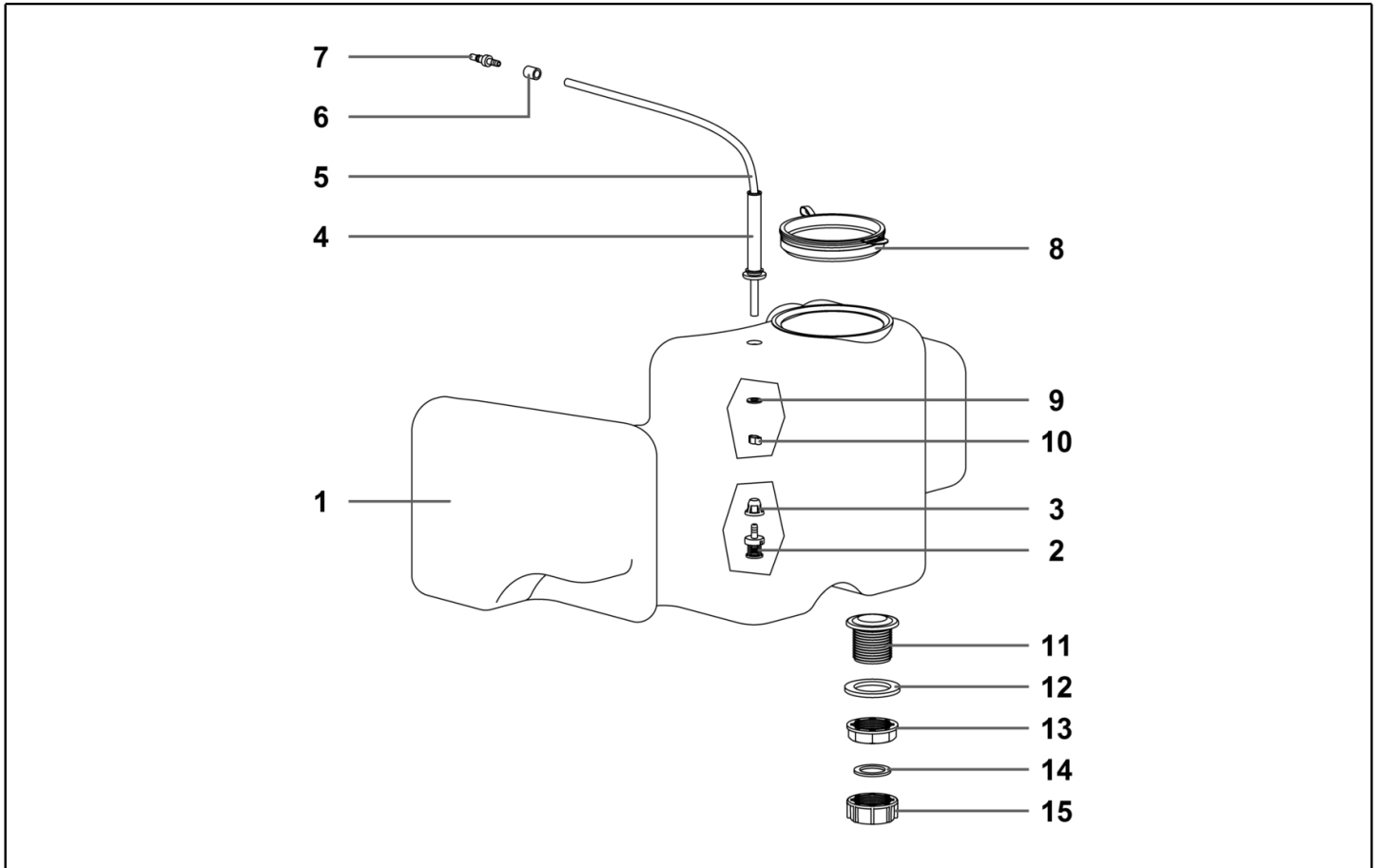
Ref. K	Part n.	Part n. 2	Description	Quantity	Validity		Price
					From	To	
*	MEVR02383		FILTER -	1,00	16/01/2019		--
*	MECB01679		CONNECTING WIRES 320-G/V-FF-FF	1,00	16/01/2019		--
*	MECB01680			1,00	16/01/2019		--
*	MECB01831		ELECTR.KIT 50CM POKE-IN MOT TP 1200	2,00			--
*	FSVR00127		CLAMP	16,00			--
*	PEL00019		STORM PUMP GROUP RAD	1,00			--
0001	MECB28740		ELECTRIC CORD 3X1,5 MT 8,5	1,00			--
0002	MEVR28673		FAIRLEAD	1,00			--
0003	MPVR28690		CABLE CLAMP	1,00			--
0004	VTVT71961		SCREW PFU TMT PHL 5X20 ZN NERA	2,00			--
0005	VTVT32295		SCREW PAT TMT PHL 5X50	4,00			--
0006	MPVR10069		HANDLE PANDA 600 GREEN IPC	1,00			--
0007	VTVT72055		SCREW PFU TMT PHL 5X25 ZN BLACK	2,00			--
0008	VTVT32295		SCREW PAT TMT PHL 5X50	2,00			--
0009	VTVT71960		SCREW SCREW PAT TMT PHL 5X14 ZN	2,00			--
0010	MECB01418		TERMINAL BOARD HYDROL.400/600 2MOT.	1,00	16/01/2019		--
0011	VTVT71961		SCREW PFU TMT PHL 5X20 ZN NERA	2,00			--
0012	PMVR05955		COVER PANDA 600 3M.BYPASS G6000	1,00			--
0013	VTVT72055		SCREW PFU TMT PHL 5X25 ZN BLACK	2,00			--
0014	MECI28744		ANTISPLASH RED LIGHT SWITCHER	2,00			--
0015	MECI72268		ANTISPLASH GREEN LIGHT SWITCH	1,00			--
0016	FTDP38064		FILTER MTP/65 H=15 D.95	2,00			--
0017	VTVT40007		SCREW PAT TMT PHL 5X55 BLACK	9,00			--
0018	MEVR72017		GUIDING SLIT FOR QUICK COUPLING	1,00			--
0019	MPVR38053		COVERING CAP	1,00			--
0020	PMVR05606		COVERING STORM IPC GREEN	1,00			--
0021	VTVT72106		SCREW PAT TMT PHL 5X40 BLACK	9,00			--
0022	VTVT72106		SCREW PAT TMT PHL 5X40 BLACK	3,00			--
0023	MPVR09336		MOTOR SUPPORT NEV. 600 GREY 6000	1,00			--
0024	VTVT01181		SCREW TC CROSS M 5X30 UNI 7687	1,00			--
0025	MPVR38371		WASHER H8 D85X65	2,00			--
0026	VTVT71961		SCREW PFU TMT PHL 5X20 ZN NERA	8,00			--
0027	GUGO28683		"L" GASKET W/O HOLES H=5,5	2,00			--
0028	MOMO00624		MOTOR BD382 1200W 220-240 50/60	2,00			--
0029	GUGO28683		"L" GASKET W/O HOLES H=5,5	2,00			--
0030	GUGO28683		"L" GASKET W/O HOLES H=5,5	1,00			--
0031	MPVR38056		FEIGNED MOTOR	1,00	18/07/2018		--
0032	FTDP38057		ANTINOISE TRIANGLE H=51	3,00			--
0033	FTDP28745		GASKET MTP/30 AU-AD 50X10X85	3,00			--
0034	MPVR28748		AUTOMATIC VALVE	2,00			--
0035	MPVR38058		BASE CAP	1,00			--
0036	MPVR02262		BASE 600/400 W/GASK.W/PLATE GR6	1,00			--
0037	MEVR29329		ADD.SOCKET PROTECTION	1,00			--
0038	MEVR29330		SCREWED ADDITIONAL SOCKET	1,00			--



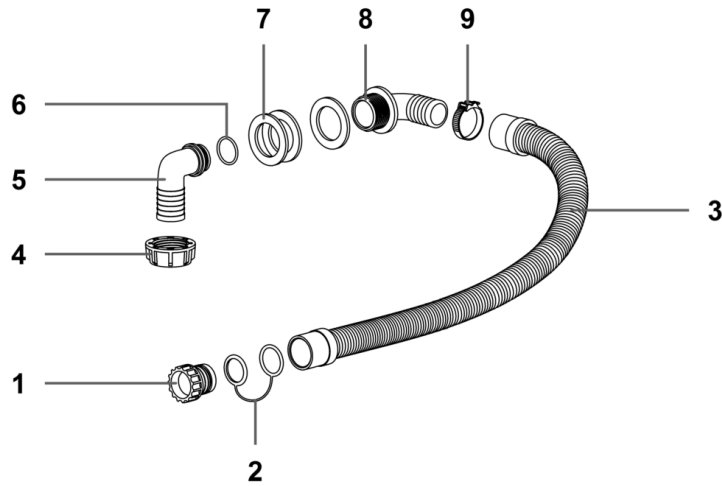
Ref. K	Part n.	Part n. 2	Description	Quantity	Validity		Price
					From	To	
0039	VTVT01091		SCREW TSP W/ACC. M 3X16 UNI6109	2,00	07/03/2019		--
0040	MPVR12331		SPACER PLASTIC D.10 D.6,3X20	2,00	16/01/2019		--



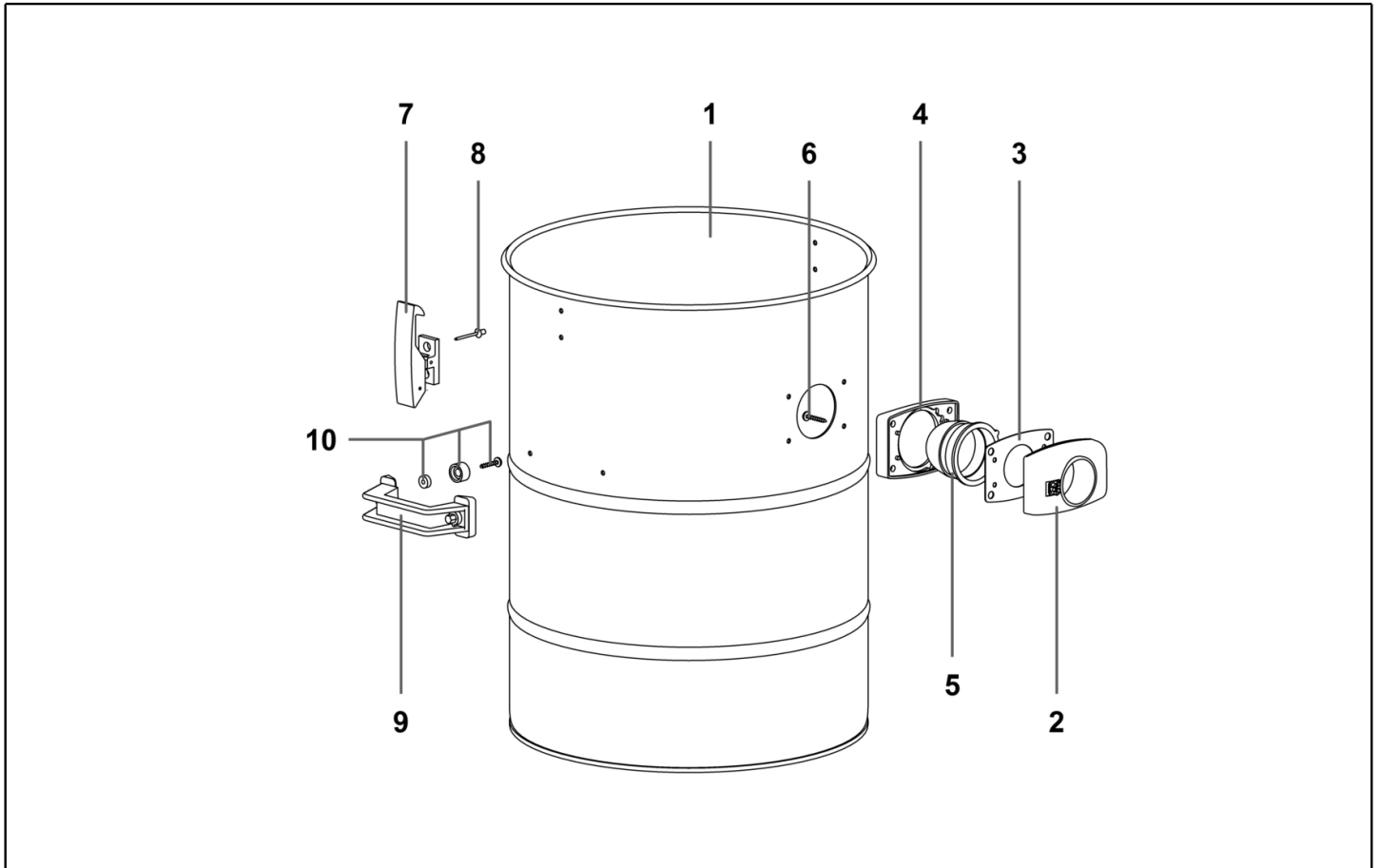
Ref. K	Part n.	Part n. 2	Description	Quantity	Validity		Price
					From	To	
A	FTDP28733		KIT RING+FILT+BASK.400 CONIC.SAN	1,00			--
0001	MPVR35807		FILTER RING 400	1,00			--
0002	FTDP00523		FILTER POLY AN4-600 CON REG H320	1,00			--
0003	MPVR09199		CONICAL BASKET 400	1,00			--
0004	MPVR40521		NET ANTIFOAM BODY HIGH	1,00			--
0005	RCGR40008		HIGH FLOAT 99 W/GASKET 37 SHA	1,00			--
0006	MPVR35796		BUSHING PLASTIC SLEEVE D.8	4,00			--
0007	VTVT36751		SCREW SCREW PAT TMT PHL 5X25	4,00			--



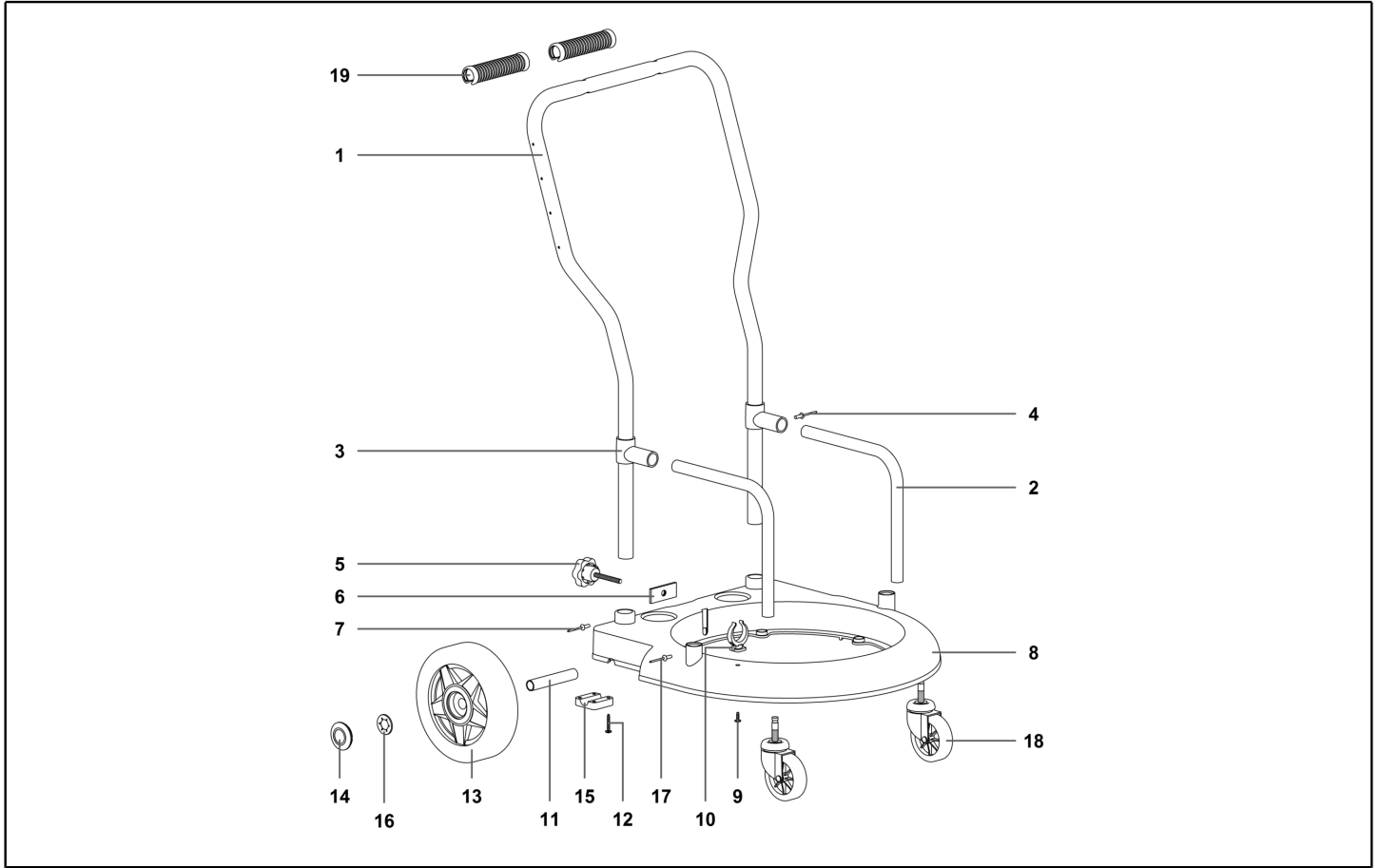
Ref. K	Part n.	Part n. 2	Description	Quantity	Validity		Price
					From	To	
0001	MPVR06185		CL.WATER DRUM	1,00			--
0002	FTDT72115		COMPLETE DIP FILTER	1,00			--
0003	RCDS72165		DIP LOCKING FILTER	1,00			--
0004	MEVR02216		FAIR-LEAD LONG	1,00			--
0005	TBBP72261		HYDROLITIC HOSE 8x5 PER METER	1,10			--
0006	FSVR38348		PLAST CLIP D.8	1,00			--
0007	RCIN38912		BRASS QUICK COUPLING P.G5,2	1,00			--
0008	MPVR87032		TANK CAP	1,00			--
0009	VTRS13947		WASHER D. 8 INX UNI 6592	1,00			--
0010	FSVR72112		STRICK CLIP 7-9	1,00			--
0011	MPVR40140		FILLING PIPE 1-1/4"	1,00			--
0012	GUGO41219		GASKET 60X40X4	1,00			--
0013	MPVR41218		RING 1-1/4"	1,00			--
0014	GUVR40018		CAP GASKET	1,00			--
0015	RCVR40015		CAP 1-1/4"	1,00			--



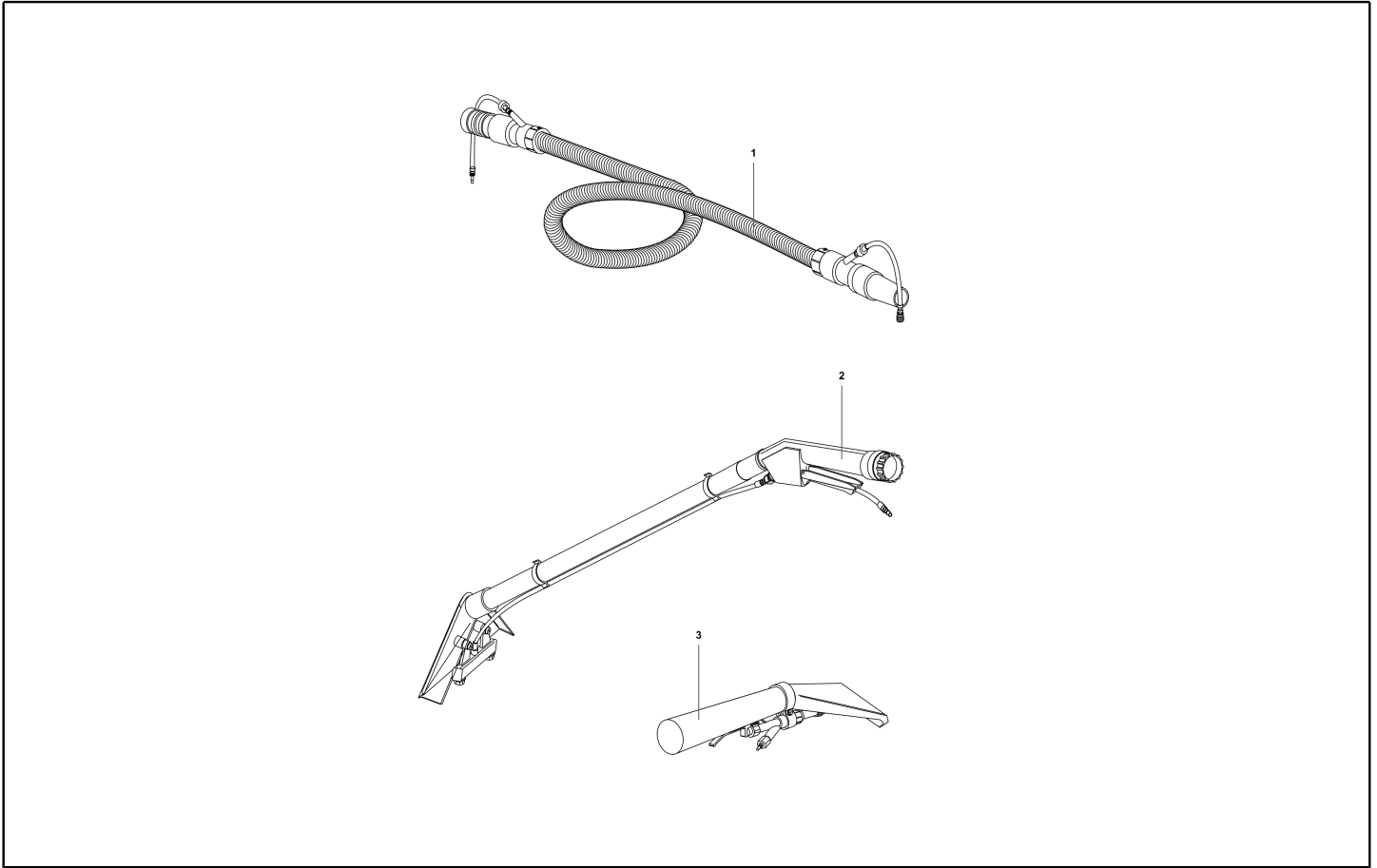
Ref. K	Part n.	Part n. 2	Description	Quantity	Validity		Price
					From	To	
0001	MPVR10436		PLASTIC TOP D.40 X 35 C/OR COMPL.	1,00			--
0002	MPVR41222		TIE ROD CAP	1,00			--
0003	TBFX41220		DRAIN TUBE D.34 L=600	1,00			--
0004	RCVR00341		CONNECTION 1-1/4"	1,00			--
0005	RCVR00756		CONNECTOR -	1,00			--
0006	GUGO00345		O-RING 28 X 2,5 NBR	1,00			--
0007	GUGO41219		GASKET 60X40X4	3,00			--
0008	RCVR41224		RUBBER HOLDER UNION CURVED 90°1-1/4	1,00			--
0009	FSVR00074		CLIP 300X9	1,00			--



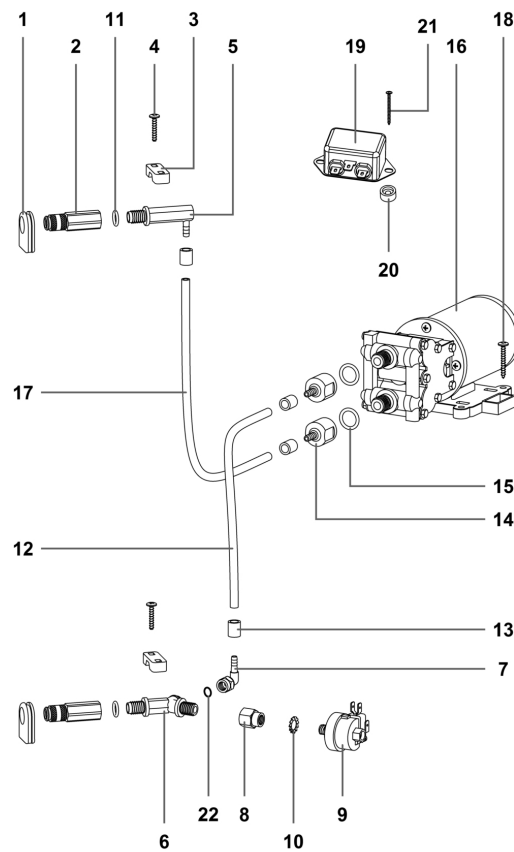
Ref. K	Part n.	Part n. 2	Description	Quantity	Validity		Price
					From	To	
0001	LAFN06533		TANK GARAGE/CALIFORN. AISI 304	1,00			--
0002	MPVR09022		PIPE UNION R155 G6000 W/BOU.GR-IPC	1,00			--
0003	GUGO28701		GASKET D.38	1,00			--
0004	MPVR08681		GASKET R 205 GREY 6000	1,00			--
0005	MPVR28696		DEFLECTOR 99	1,00			--
0006	VTVT71966		SCREW PAT TMT PHL 5X30 BLACK	4,00			--
0007	PMVR02871		PLASTIC HOOK COMPL. GR6000	2,00		25/02/2021	--
0007	CHVR28735		COMPLETE PLASTIC HOOK BLACK	2,00	26/02/2021		--
0008	VTVR71991		RIVET 5X11	4,00			--
0009	MPVR09429		HANDLE GREY 6000	2,00			--
0010	RIGE00015		COMPLETE SEAL W/SCREW L=25	4,00			--



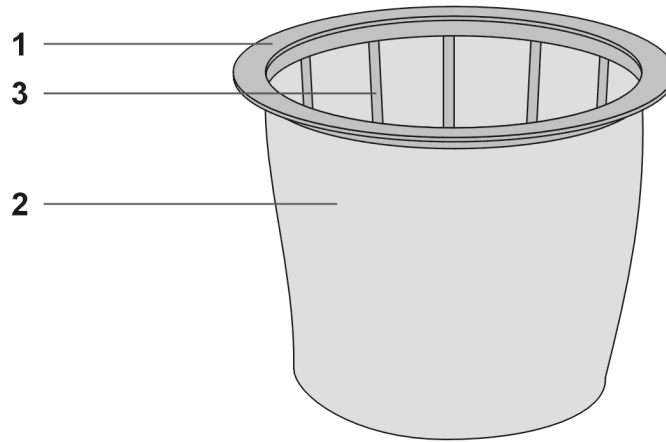
Ref. K	Part n.	Part n. 2	Description	Quantity	Validity		Price
					From	To	
0001	LAFN09734		HANDLE MARKET 400 BLACK	1,00			--
0002	MPVR02240		VARNISHED SUPPORT TUBE	2,00			--
0003	LAFN03247		HOSE T ST.MKT	2,00			--
0004	VTVR00396		RIVET 4,8X17 BLACK	2,00			--
0005	VTVR00162		HAND-WHEEL M 8X60	1,00			--
0006	LAFN06613		PLATE LOCKING THREADED	1,00			--
0007	VTVR00396		RIVET 4,8X17 BLACK	2,00			--
0008	MPVR08479		TROLLEY BODY 400 MARKET B	1,00			--
0009	VTVT71960		SCREW SCREW PAT TMT PHL 5X14 ZN	1,00			--
0010	FsvR41221		LIRA CLAMP D.34	1,00			--
0011	LAFN09549		WHEEL PIN D.18X105 SP.1.5 ZN	2,00			--
0012	VTVT71966		SCREW PAT TMT PHL 5X30 BLACK	8,00			--
0013	RTRT85069		REAR WHEEL D.200	2,00			--
0014	MPVR85070		WHEEL CAP D.200/250 BLACK	2,00			--
0015	MPVR28774		LOCK PIVOT BRACKET	2,00			--
0016	MPVR86321		BLOC. D.18	2,00			--
0017	VTVR00396		RIVET 4,8X17 BLACK	2,00			--
0018	RTRT40020		FRONT WHEEL D.80 W/PIVOT	2,00			--
0019	MPVR02288		GRIP PLAST.CARRELLO GR.5000	2,00		11/05/2022	--
0019	MPVR10119		GRIP PLAST.CARRELLO NERO	2,00	12/05/2022		--



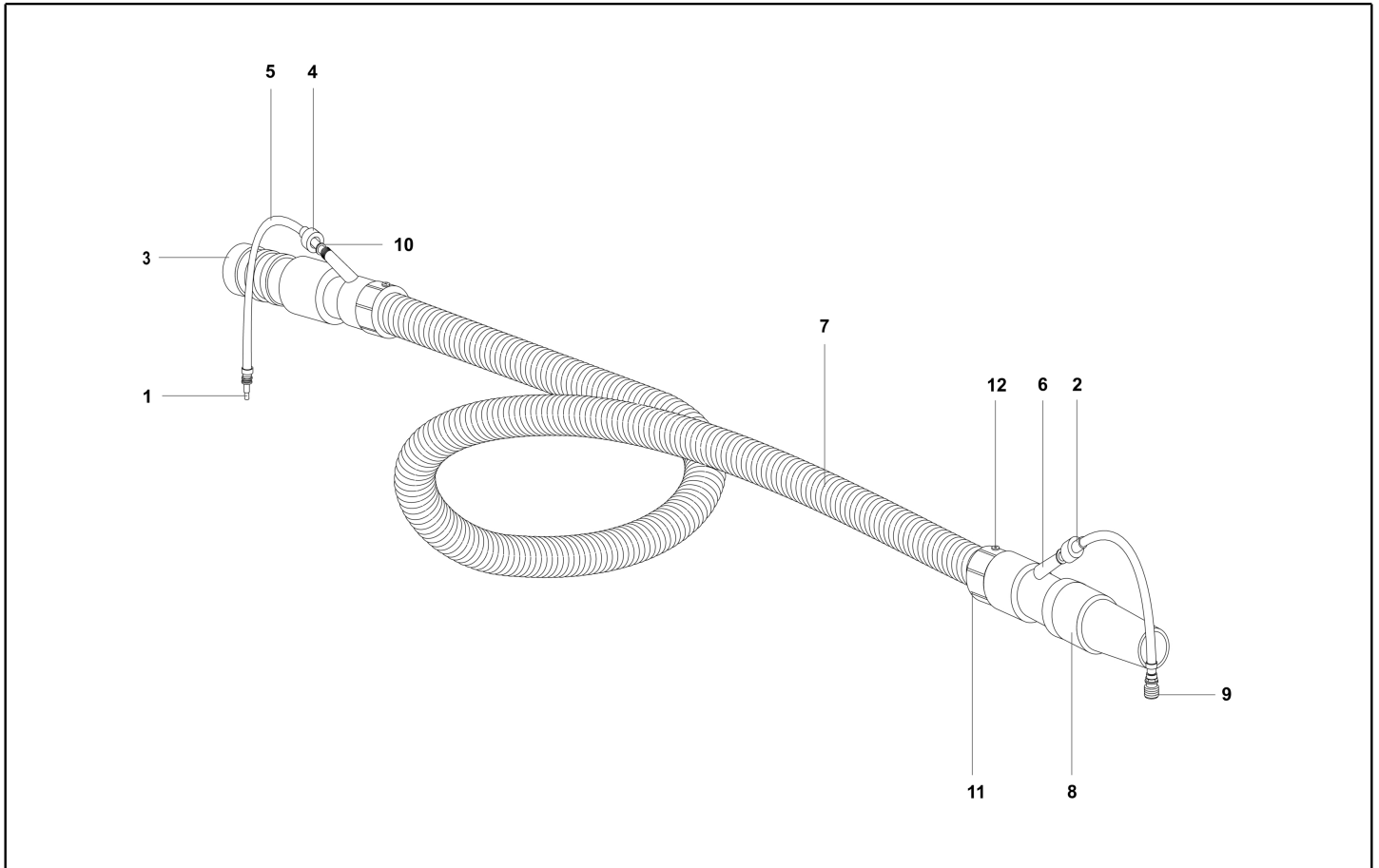
Ref. K	Part n.	Part n. 2	Description	Quantity	Validity		Price
					From	To	
0001	TBFX01246		FLEXIBLE HOSE 38 MT.4,5 C/IDR.EST. TYP3	1,00			--
0002	SPPV28781		CARPET TOOL D.38 2 JETS PL.HANDLE	1,00			--
0003	SPPV28251		UPHOLSTERY TOOL W/BRASS FITTING	1,00			--



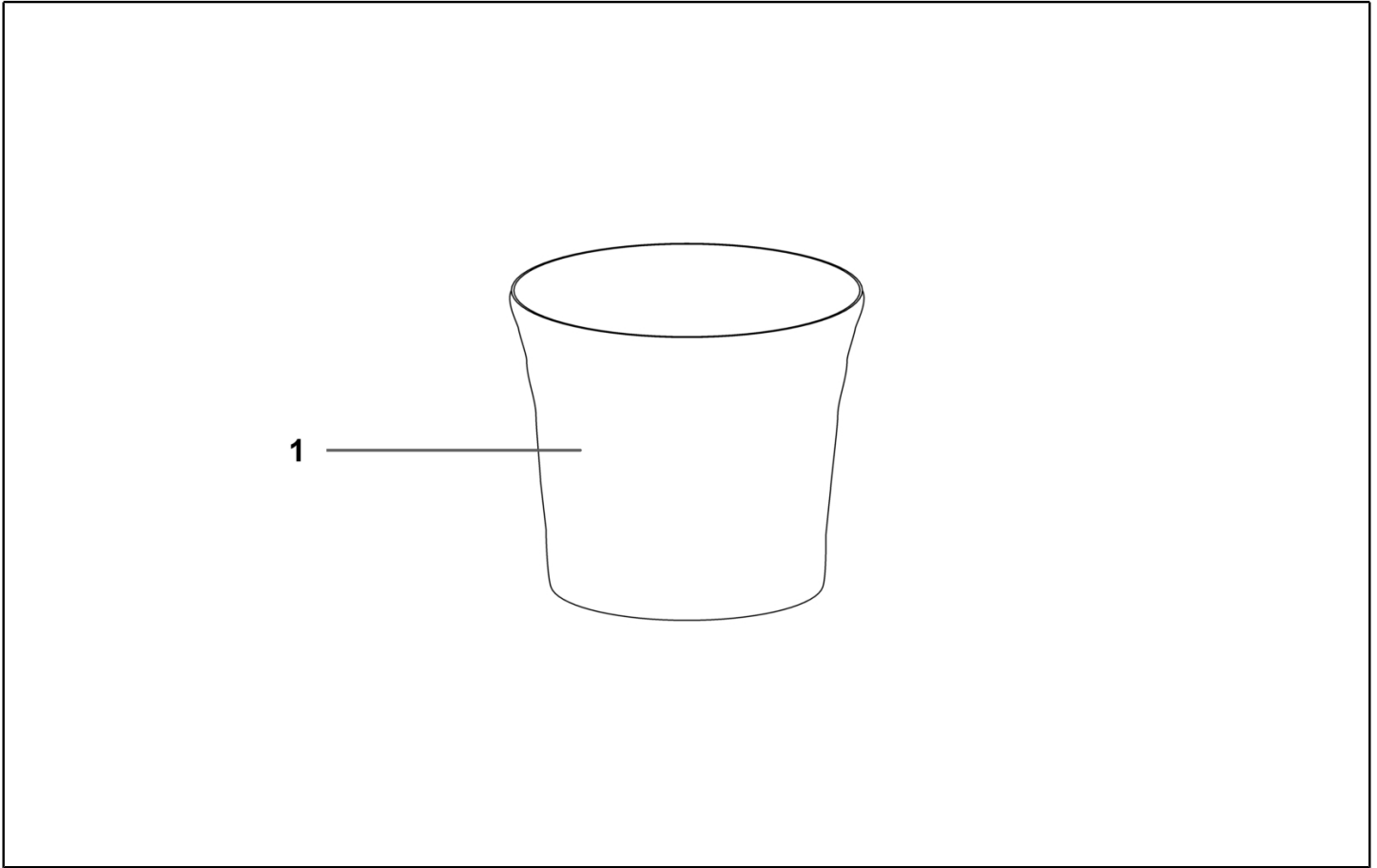
Ref. K	Part n.	Part n. 2	Description	Quantity	Validity		Price
					From	To	
*	MECB01681		CONN.WIRE M.400-G/V-DFF-10	1,00			--
*	MECB02105		CONN.WIRE C.420-GR-FF-FF48	1,00	25/06/2020		--
*	MECB01562		CONN.WIRE C.400-MA-FF-FFC	1,00	25/06/2020		--
*	MECB02106		CONN.WIRE C.420-GR-FF-FF48	2,00			--
*	MECE29335		RECTIFIER	1,00	25/06/2020		--
*	MECB01654		CONNECTING WIRE 400-L.BLUE-FF-FFC	1,00	25/06/2020		--
0001	MEVR86518		GUIDING SLIT LAVA	2,00			--
0002	RCIN38910		QUICK SOCKET 1/4"F	2,00			--
0003	MPVR28794		FIXING BOLT CONN.	2,00			--
0004	VTVT72055		SCREW PFU TMT PHL 5X25 ZN BLACK	4,00			--
0005	RCVR46960		PLAST."L" COUPLING	1,00			--
0006	RCVR01080		PLAST."Y" COUPLING 2 WAYS	1,00			--
0007	RCVR00850		PL.CONNECTOR COUPLING 1/8"F-PG5,2	1,00			--
0008	RCVR72251		NIPPLE 1/4" F. 1/8" F.	1,00			--
0009	MEPF00027		PRESSURE SWITCH GP110 8BAR (RED)	1,00			--
0010	VTRS00168		TOOTHED WASHER M10 UNI 8842	1,00			--
0011	GUGO72029		O RING 9	2,00			--
0012	TBBP72261		HYDROLITIC HOSE 8x5 PER METER	0,47			--
0013	FSVR38348		PLAST.CLIP D.8	4,00			--
0014	MPVR86717		RIGHT PLAST. COUPLING 3/8"F-PG 5,2	2,00			--
0015	GUGO72037		O RING 22,2X16,2X3	2,00			--
0016	PPEL00007		PUMP "SG" PUMP W/OUT PRESS. W/	1,00			--
0017	TBBP72261		HYDROLITIC HOSE 8x5 PER METER	0,21			--
0018	VTVT71971		SCREW PAT TMT PHL 5X35 BLACK	4,00			--
0019	MECE00819		RECTIFIER W/FILTER	1,00	25/06/2020		--
0020	VTRS72158		PLAST.WASHER	2,00			--
0021	VTVT40007		SCREW PAT TMT PHL 5X55 BLACK	1,00			--
0022	GUGO00700		O-RING 0050-20 D. 5 x 2 x 9 NB	1,00	07/05/2021		--



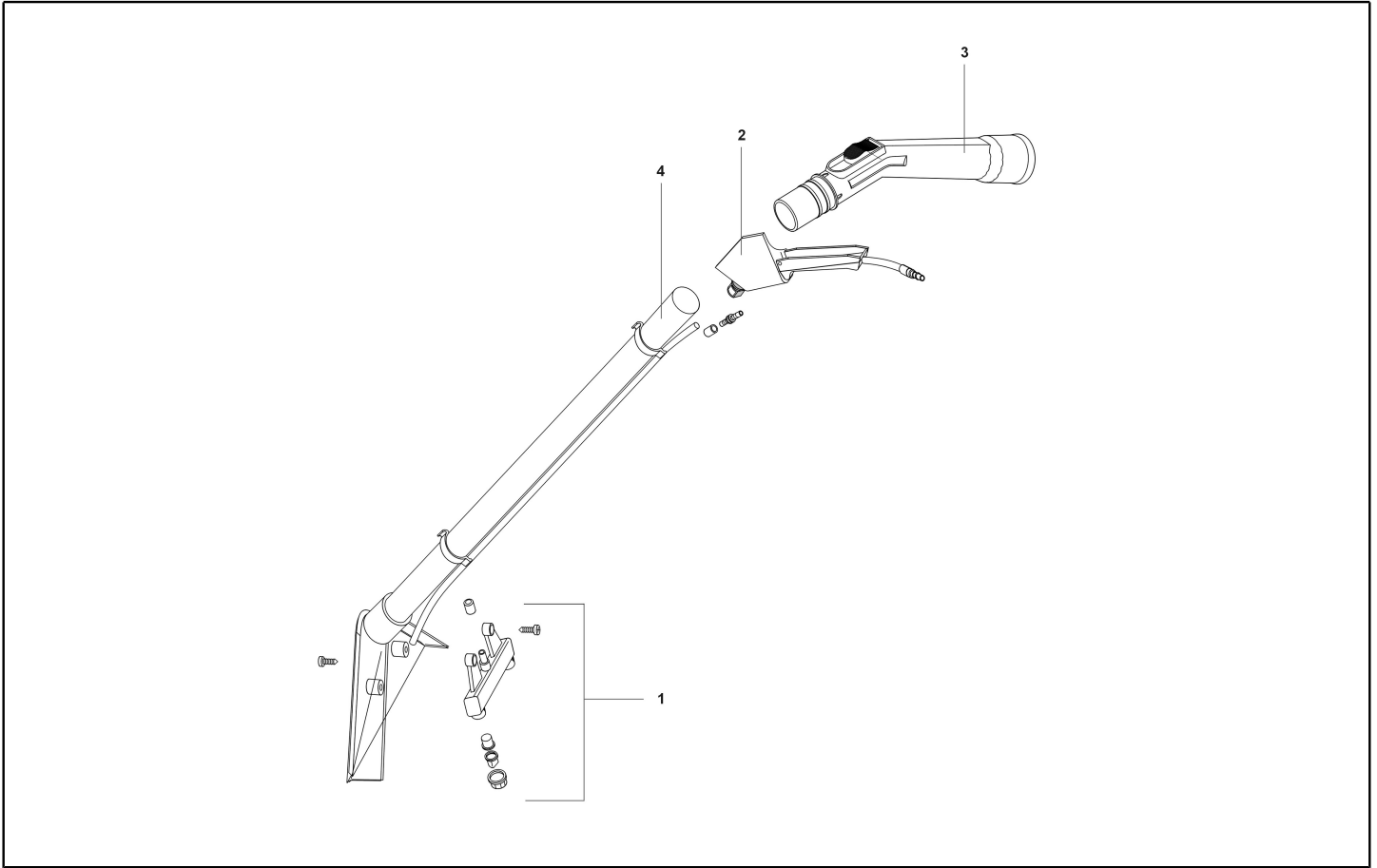
Ref. K	Part n.	Part n. 2	Description	Quantity	Validity		Price
					From	To	
0001	MPVR35807		FILTER RING 400	1,00			--
0002	FTDP00523		FILTER POLY AN4-600 CON REG H320	1,00			--
0003	MPVR09199		CONICAL BASKET 400	1,00			--



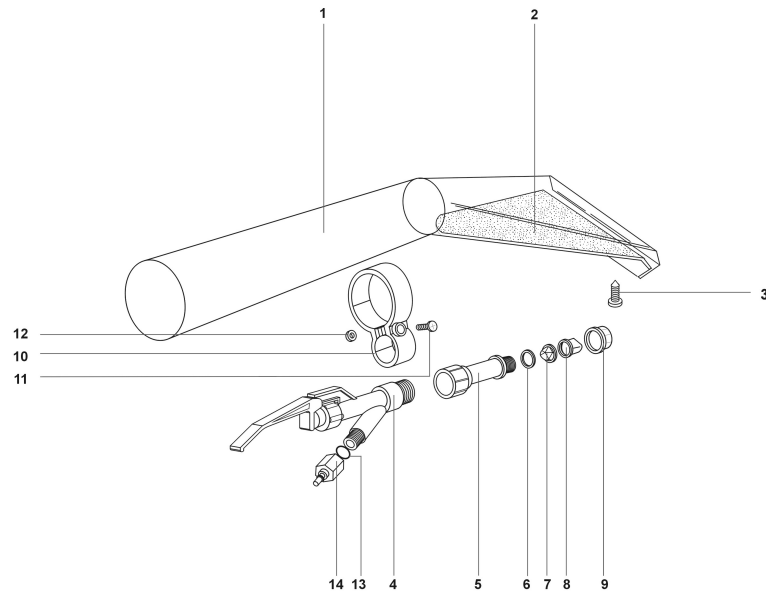
Ref. K	Part n.	Part n. 2	Description	Quantity	Validity		Price
					From	To	
0001	RCIN38912		BRASS QUICK COUPLING P.G5,2	1,00			--
0002	FSVR38348		PLAST.CLIP D.8	2,00			--
0003	MPVR07479		SLEEVE TUBOFLEX D.38/D.38 C/OR	1,00			--
0004	MPVR06821		RING 3/8" F/FLEX HOSE	1,00			--
0005	TBBP72261		HYDROLITIC HOSE 8x5 PER METER	5,20			--
0006	MPVR06579		COUPLING D.38 FOR RILSAN TUBE	2,00			--
0007	TBFX01241		FLEXIBLE HOSE 38 MT.4,5 TYP3	1,00			--
0008	RCVR72221		ROTATING CUFF D.38/D.38	1,00			--
0009	RCIN35828		BRASS QUICK SOCKET C/V-P.G.5.2	1,00			--
0010	VTRS72168		RUBBER WASHER D.15X9,5X1,5	2,00			--
0011	MPVR05666		RING NUT THREADED D.38	2,00			--
0012	VTVT01189		SCREW AUT.TC PHL 3,9X13 STAIN.	2,00			--



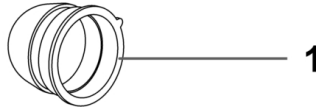
Ref. K	Part n.	Part n. 2	Description	Quantity	Validity		Price
					From	To	
0001	FTDP00523		FILTER POLY AN4-600 CON REG H320	1,00			--
0001	FTDP00523		FILTER POLY AN4-600 CON REG H320	1,00			--
0001	FTDP00523		FILTER POLY AN4-600 CON REG H320	1,00			--



Ref. K	Part n.	Part n. 2	Description	Quantity	Validity		Price
					From	To	
0001	MPVR09208		PLASTIC INLET D.38 2U COMP.	1,00			--
0002	RCGR86035		TAP TRIGGER VALVE ERGO 30/BRA	1,00			--
0003	MPVR43047		EXTENSION CURVED EXTENSION	1,00			--
0004	LAFN49582		EXTENSION INOX TUBE D.38 L=850	1,00			--



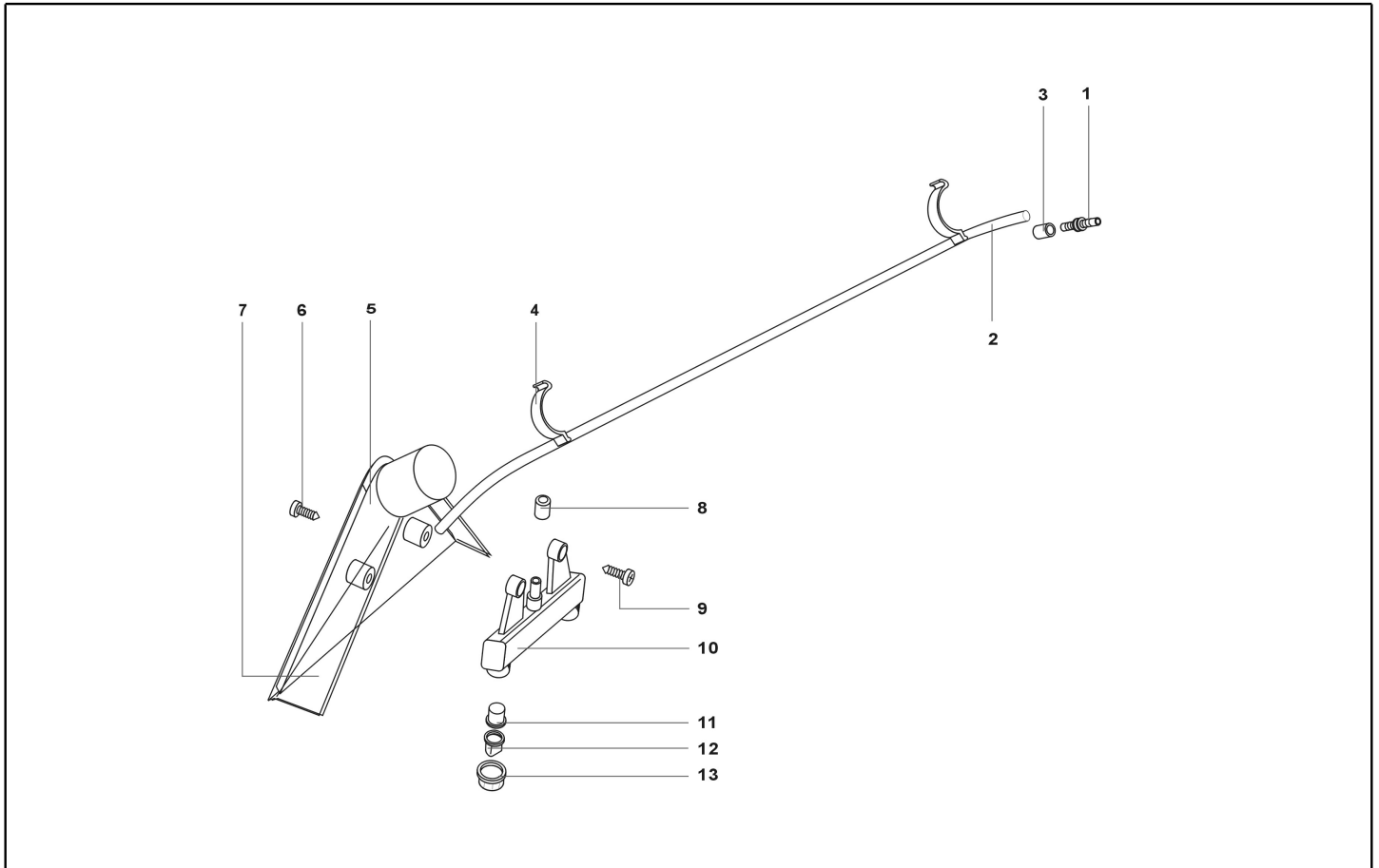
Ref. K	Part n.	Part n. 2	Description	Quantity	Validity		Price
					From	To	
0001	MPVR11513		OPENING BODY D.36/38 TRASPARENTE NEW	1,00	14/01/2019		--
0002	MPVR11648		SMALL PLATE BOCCHETTA NEW	1,00	14/01/2019		--
0003	VTVT01189		SCREW AUT.TC PHL 3,9X13 STAIN.	4,00			--
0004	RCGR86949		LEVER COCK COMPL.	1,00			--
0005	RCVR31726		EXTENSION 3/8"-1/4"	1,00			--
0006	VTRS72168		RUBBER WASHER D.15X9,5X1,5	1,00			--
0007	FTDT31725		INOX JET FILTER	1,00			--
0008	UGLN30851		PL.NOZZLE C1 02/80°	1,00			--
0009	MPVR31724		RING 3/8"F	1,00			--
0010	MPVR31723		COCK SUPPORT	1,00			--
0011	VTVT85000		SCREW M 5X25	1,00			--
0012	VTDD71969		NUT NUT M 5	1,00			--
0013	GUGO72029		O RING 9	1,00			--
0014	RCIN38913		BRASS QUICK COUPLING 1/4" F	1,00			--



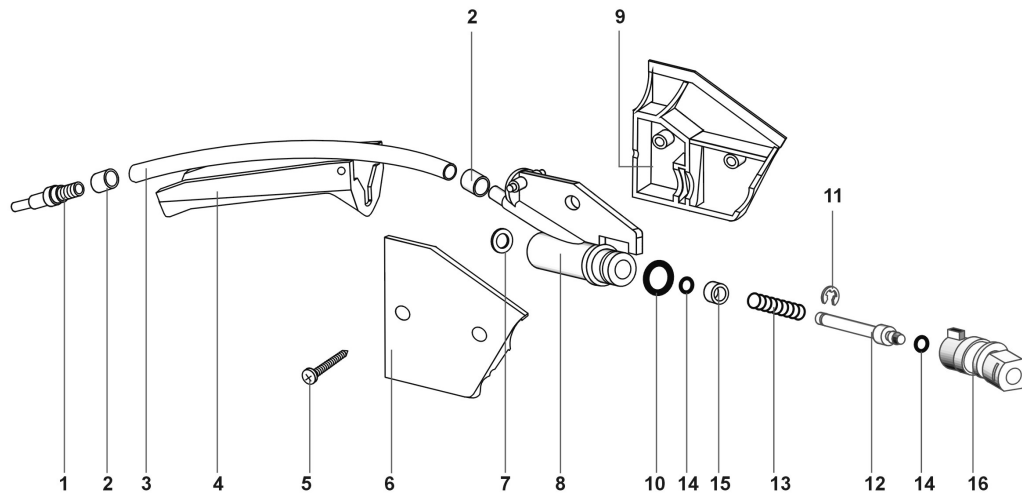
Ref. K	Part n.	Part n. 2	Description	Quantity	Validity		Price
					From	To	
0001	MPVR28696		DEFLECTOR 99	1,00			--
0001	MPVR28696		DEFLECTOR 99	1,00			--



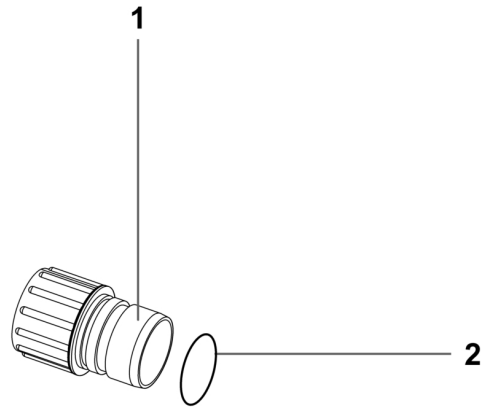
Ref. K	Part n.	Part n. 2	Description	Quantity	Validity		Price
					From	To	
0001	VTVT36751		SCREW SCREW PAT TMT PHL 5X25	1,00			--
0001	VTVT36751		SCREW SCREW PAT TMT PHL 5X25	1,00			--



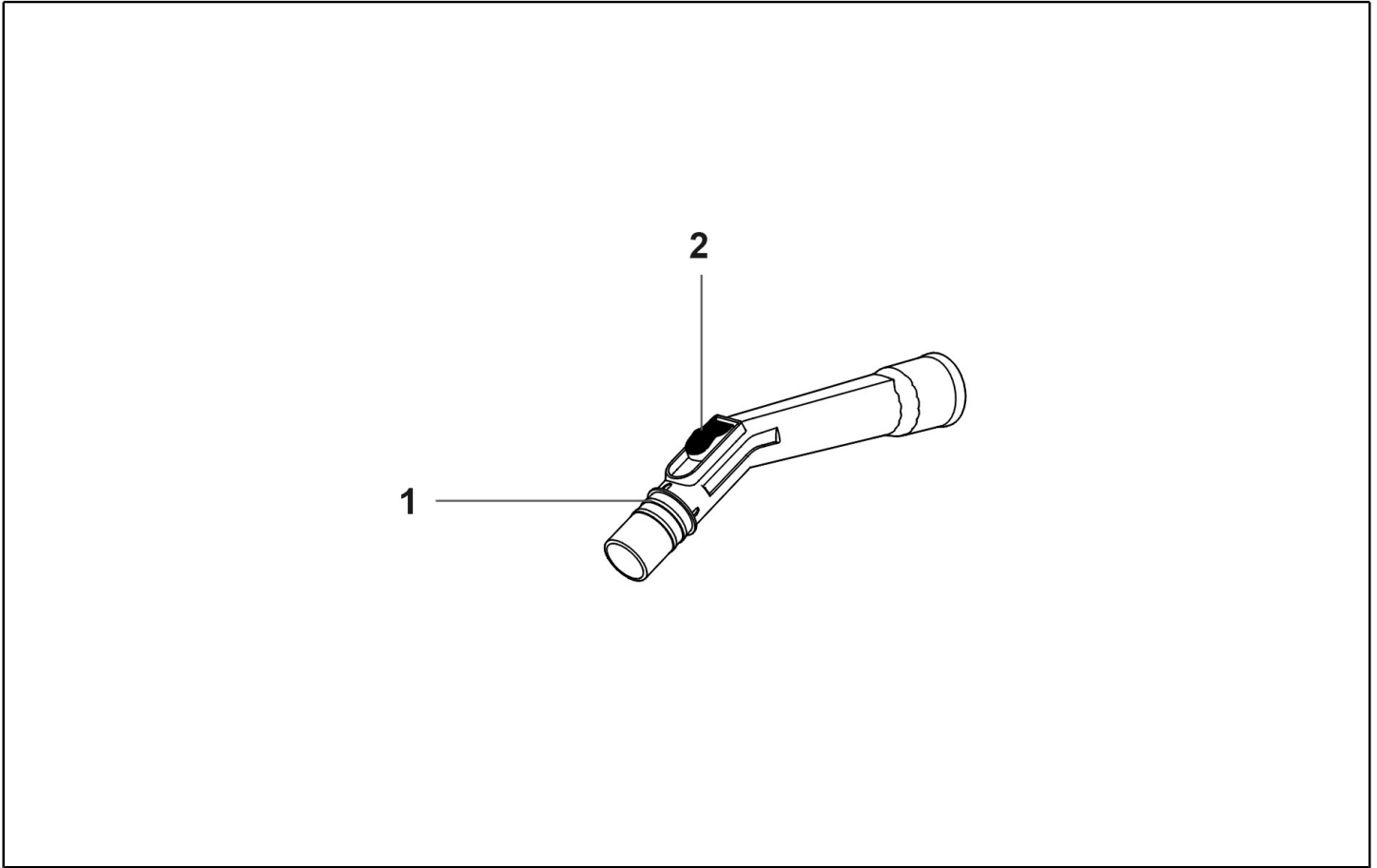
Ref. K	Part n.	Part n. 2	Description	Quantity	Validity		Price
					From	To	
*	VTRS72168		RUBBER WASHER D.15X9,5X1,5	2,00	27/02/2023		--
0001	RCIN38912		BRASS QUICK COUPLING P.G5,2	1,00			--
0002	TBBP72261		HYDROLITIC HOSE 8x5 PER METER	0,91			--
0003	FSVR38348		PLAST.CLIP D.8	1,00			--
0004	FSVR72258		CLIPS FOR RILSAN TUBE/CORD	2,00			--
0005	MPVR07751		SMALL PLATE LAVAMOQ. NERA	1,00			--
0006	VTVT87034		SCREW 3,5X13 INOX	9,00			--
0007	MPVR31709		CONICAL BODY TOOL D.38	1,00			--
0008	FSVR38348		PLAST.CLIP D.8	1,00			--
0009	VTVT87311		SCREW PAT TMT PHL 5X20 INOX	2,00			--
0010	MPVR36070		DOUBLE FITTING JET CARPET-TOOL	1,00			--
0011	FTDT31725		INOX JET FILTER	2,00			--
0012	UGLN31361		PLAST.NOZZLE C1 03/110°	2,00			--
0013	MPVR31724		RING 3/8" F	2,00			--



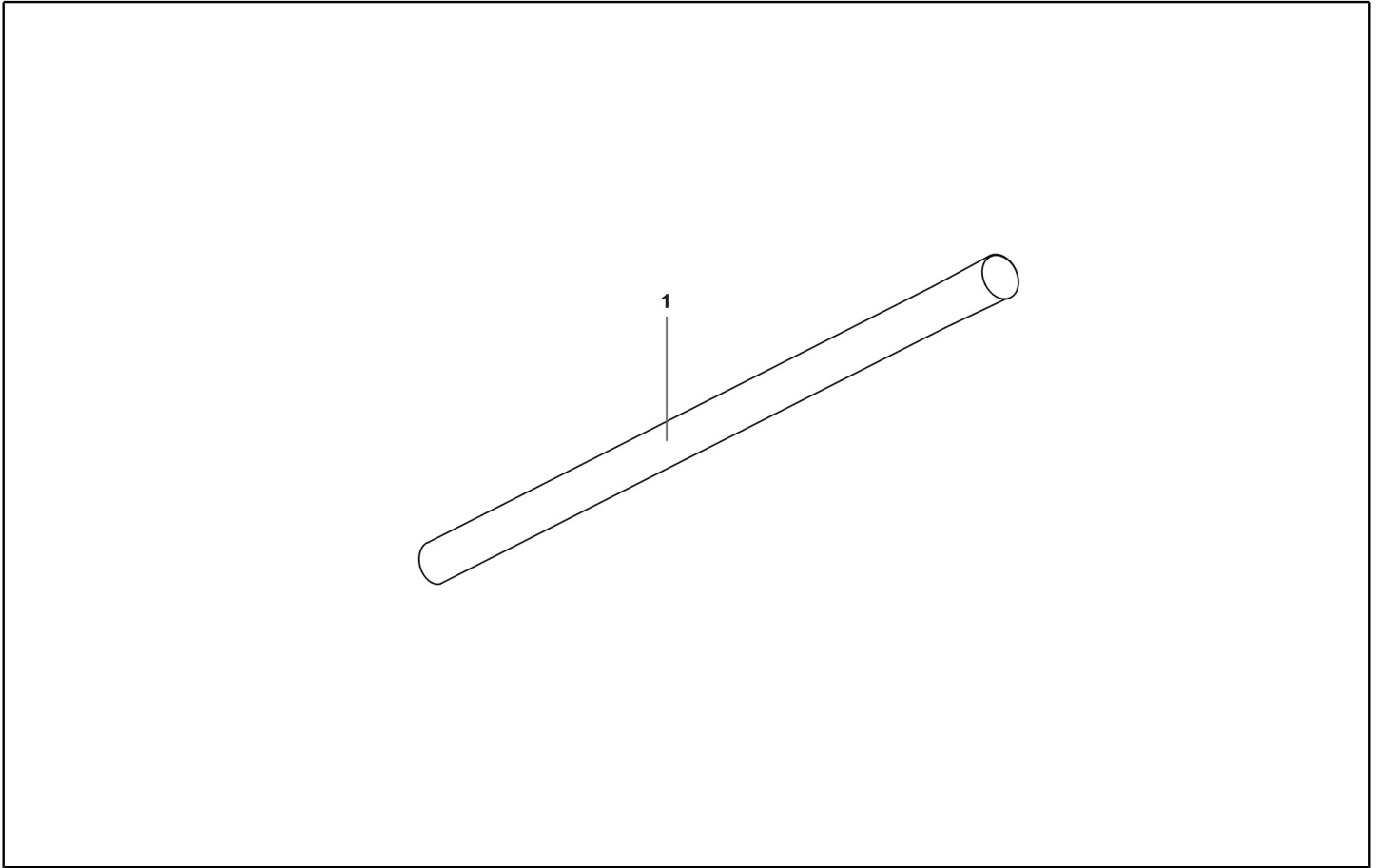
Ref. K	Part n.	Part n. 2	Description	Quantity	Validity		Price
					From	To	
0001	RCIN38912		BRASS QUICK COUPLING P.G5,2	1,00			--
0002	FSVR38348		PLAST.CLIP D.8	2,00			--
0003	TBBP72261		HYDROLITIC HOSE 8x5 PER METER	0,13			--
0004	MPVR06798		TAP LEVER LEVER COCK	1,00			--
0005	VTVT71961		SCREW PFU TMT PHL 5X20 ZN NERA	2,00			--
0006	MPVR06759		ERGO 30 RIGHT GRIP	1,00			--
0007	VTRS00397		WASHER M 5-5,3 D.E 11,5	1,00			--
0008	MPVR06758		TAP BODY ERGO COCK BODY	1,00		27/07/2020	--
0008	MPVR12749		TAP BODY ERGO V2	1,00	28/07/2020		--
0009	MPVR06760		ERGO 30 LEFT GRIP	1,00			--
0010	GUGO00332		O RING 10,82X1,78	1,00			--
0011	VTAE00088		CIRCLIP RADIAL ELASTIC RING D.4 7	1,00			--
0012	PVVR00126		BRASS NEEDLE TRIGGER VALVE L=49,2	1,00			--
0013	MLML00377		COCK NEEDLE SPIRAL SPRING	1,00			--
0014	GUGO00331		O RING 8,04X4,48X1,78	2,00			--
0015	RCVR00859		BRASS BUSHING BRASS BUSH D. 8X5,5X4	1,00			--
0016	RCIN00036		QUICK SOCKET PL. BUTTON 30°	1,00			--



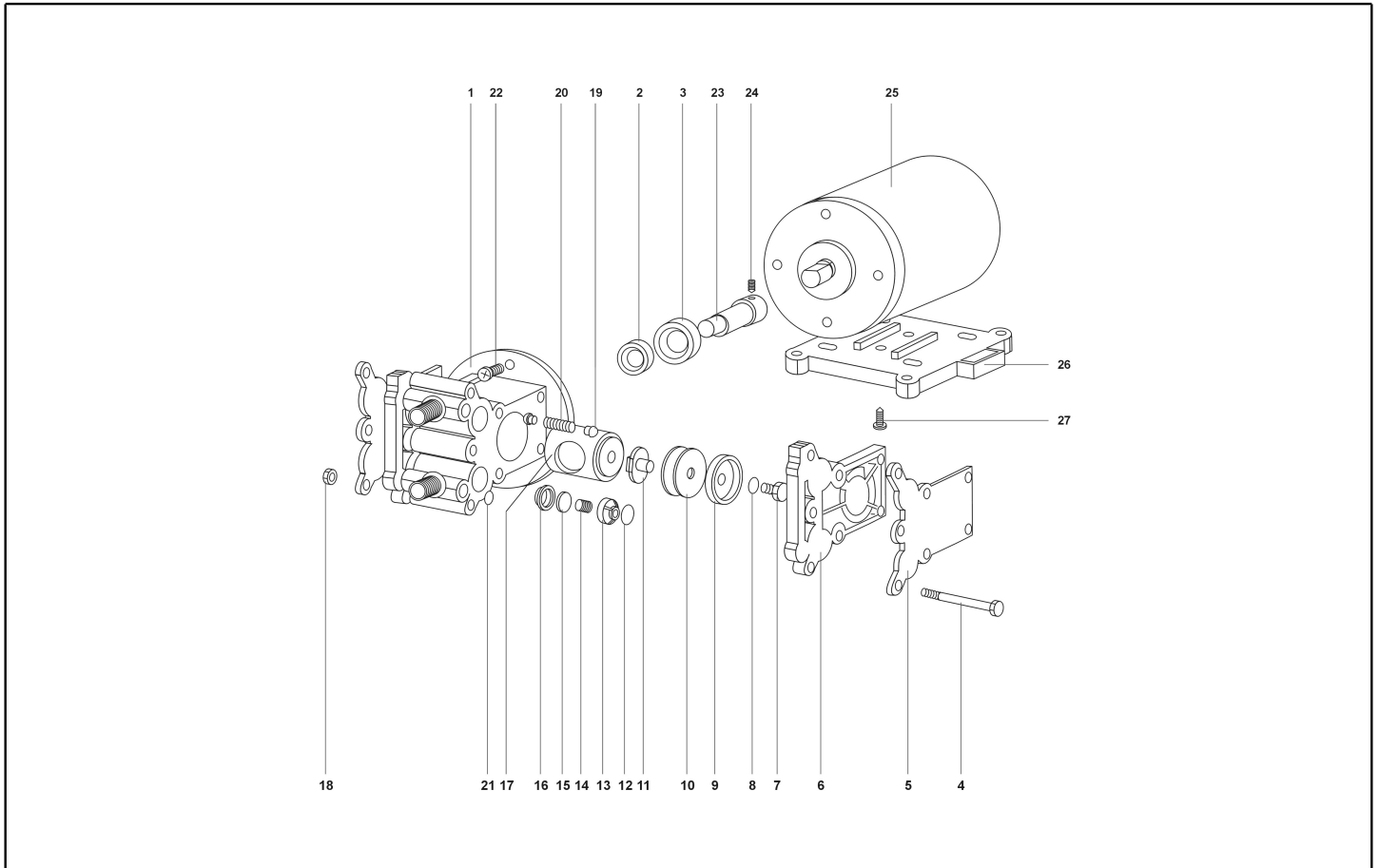
Ref. K	Part n.	Part n. 2	Description	Quantity	Validity		Price
					From	To	
0001	MPVR13223		SLEEVE TUBOFLEX D.38/D.38	1,00	11/06/2021		--
0002	GUGO00408		O-RING D.INT. 44,12X2,62 NBR	1,00			--



Ref. K	Part n.	Part n. 2	Description	Quantity	Validity		Price
					From	To	
0001	MPVR10505		CURVE PLAST DIA 38	1,00			--
0002	MPVR06762		PUSH BUTTON AIR REGULATION G5	1,00			--



Ref. K	Part n.	Part n. 2	Description	Quantity	Validity		Price
					From	To	
0001	LAFN49582		EXTENSION INOX TUBE D.38 L=850	1,00			--



Ref. K	Part n.	Part n. 2	Description	Quantity	Validity		Price
					From	To	
0001	MPVR07927		BODY POMPA SG	1,00			--
0002	CUVR71988		BEARING 608 2RS	1,00			--
0003	CUVR31861		BEARING 26X10X8	1,00			--
0004	VTVT71973		SCREW TE M 5X67 UNI 5737	7,00			--
0005	MFVR31870		CLOSING FLANGE "S" PUMP	2,00			--
0006	PMVR02847		PUMP COVER "SG" VE-IPC	2,00			--
0007	VTVT01387		SCREW OTTONE BLOCCAGGIO MEMBRAN	2,00			--
0008	GUGO00329		O RING 11,22X7,66X1,78	2,00			--
0009	MPVR31865		PLASTIC WASHER FOR DIAPHRAGM	2,00			--
0010	MPVR31866		DIAPHRAGM	2,00			--
0011	MPVR31862		DRIVE INSERT	2,00			--
0012	GUGO72037		O RING 22,2X16,2X3	4,00			--
0013	MPVR06170		BOTTOM VALVE BOTTOM VALVE	1,00			--
0014	MLML00357		VALVE SPRING SPIRAL SPRING FOR VALVE	1,00			--
0015	MPVR07931		VALVE POMPA S VER. PLAST.	1,00			--
0016	MPVR06169		VALVE COVER	1,00			--
0017	PIVR31869		"S" PUMP PISTON	1,00			--
0018	VTDD71970		SELFLOCKING NUT M 5 HIGH DIN 982	7,00			--
0019	MPVR72243		BUTTON NBR 70	2,00			--
0020	MLML00420		SPRING BY PASS POMPA SG	1,00			--
0021	GUGO72029		O RING 9	4,00			--
0022	VTVT71962		SCREW TMT M 5X9,5 PH	4,00			--
0023	ALMO42046		CAM PIVOT 1	1,00			--
0024	VTVT71972		DOWEL M 6X6 UNI 5927	1,00			--
0025	MOMO01015		MOTOR 90 W.240 V.1000 RPM	1,00	16/01/2019	30/03/2022	--
0025	MOMO01024		MOTOR 90W 240V 1000 RPM BRUEL	1,00	31/03/2022		--
0026	MPVR29336		MOTOR SUPPORT	1,00			--
0027	VTVT71962		SCREW TMT M 5X9,5 PH	2,00			--