

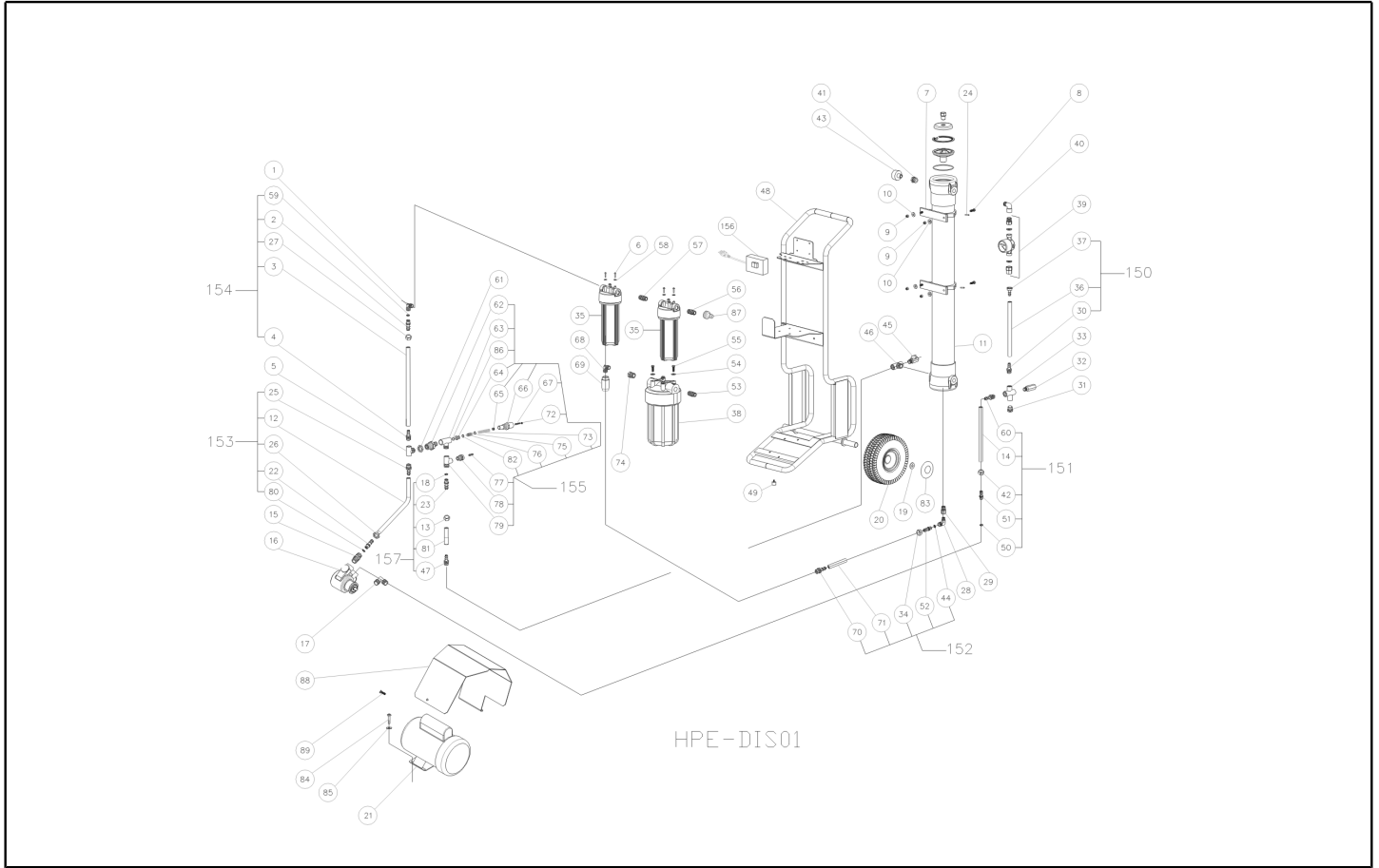


**IPC**

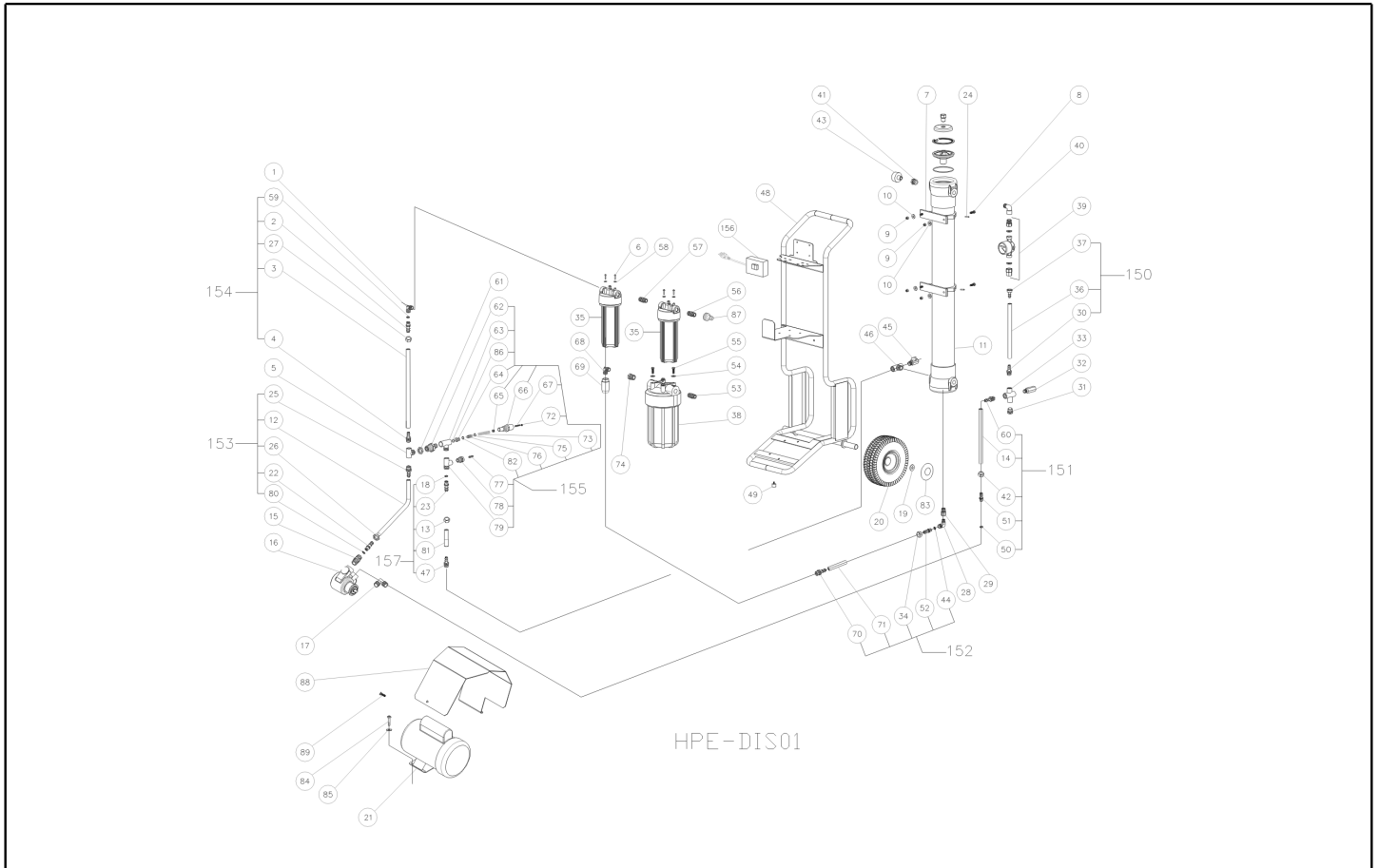
**Spare parts list**

Ref: APTA40015

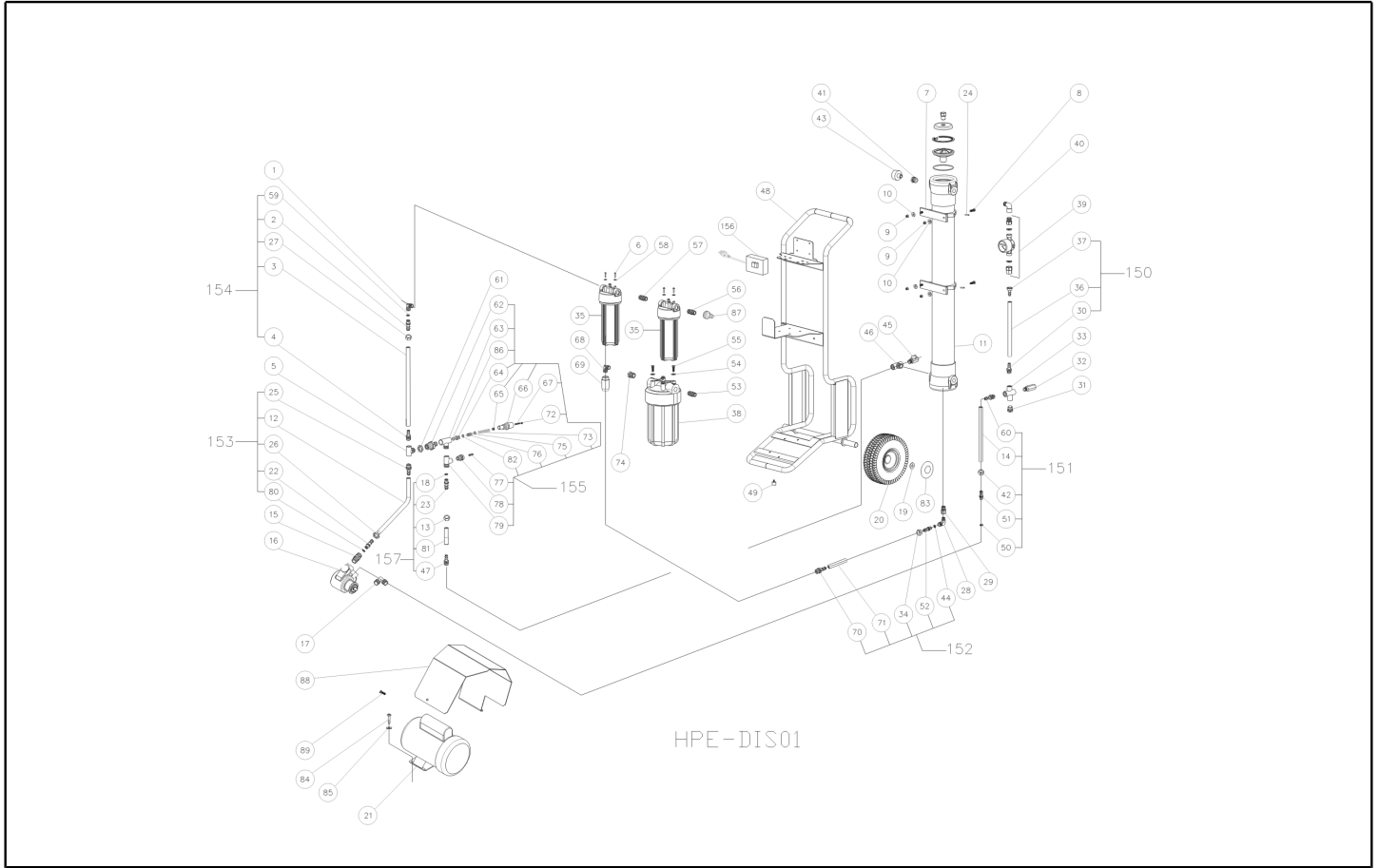
Model: WATER SOFTNER HIGHPURE HPE M 230/50 IPC



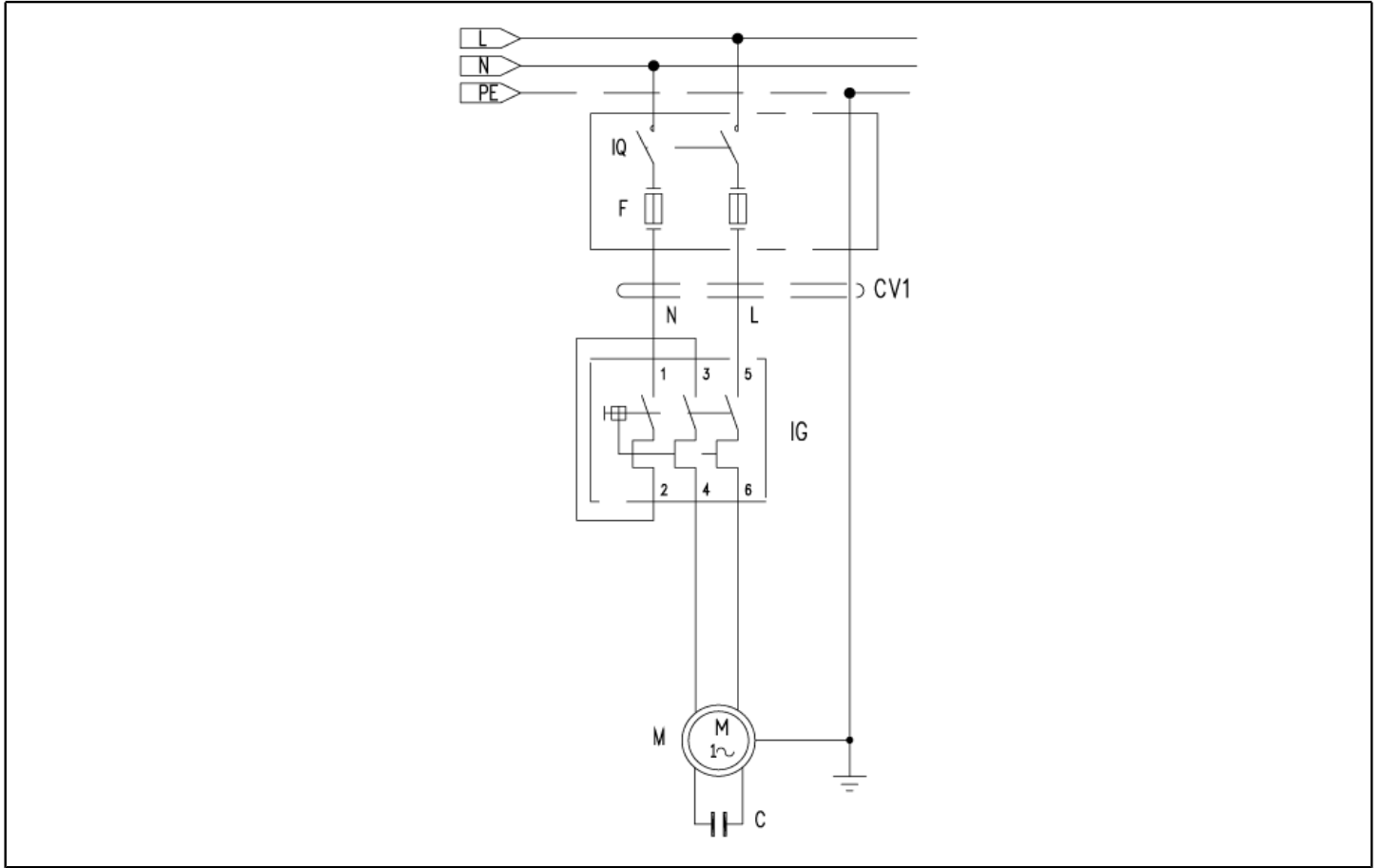
Ref. K	Part n.	Customer part n.	Description	Quantity	Validity		Price
					From	To	
0001	RCVR40114		ELBOW 1/2" M/M A15	1,00			--
0002	RCDS40158		HOSE FITTING D.15 P/GH. D. 9.5-15 OT.	1,00	20/05/2013		--
0003	TBBP40067		L.P. HOSE SAE100 R6-1/2"	0,50	20/05/2013		--
0004	RCDS40154		HOSE FITTING 3/8 M D. 9.5-15 OT.	1,00	20/05/2013		--
0005	RCVR40121		CONNECTOR TEE 3/8 F/M/F A12	1,00			--
0006	VTVT40006		SCREW AF TCB-TC 5 X20 HILO INX	8,00			--
0007	MPVR40259		SUPPORT UPS RO FILT.	2,00			--
0008	VTVT00447	00000447	SCREW TE 8X25 UNI5739	4,00			--
0009	VTDD01692	00001692	NUT M 8 SERPRESS	4,00			--
0010	VTRS00512	00000512	WASHER D. 8 X24 ZC.	4,00			--
0011	MPVR40551		CONTAINER UPS RO +LB. HP.WRAP	1,00	06/05/2013		--
0012	TBBP40067		L.P. HOSE SAE100 R6-1/2"	0,32	20/05/2013		--
0013	VTDD40013		NUT G 1/2 OT.	1,00	20/05/2013		--
0013	VTDD40013		NUT G 1/2 OT.	1,00	20/05/2013		--
0014	TBBP40066		L.P. HOSE SAE100 R6-3/8"	0,89	20/05/2013		--
0014	TBBP40066		L.P. HOSE SAE100 R6-3/8"	0,34	20/05/2013		--
0015	RCVR40123		NIPPLE 1/2 - 1/2 CONICO A2	1,00			--
0016	PPBP40002		PUMP 800LT/H S/BY-P OT PRG8AH	1,00			--
0017	RCVR40114		ELBOW 1/2" M/M A15	1,00			--
0018	GUGO28927	00028927	O-RING D. 9.13 X 2.62 NBR 70SH	1,00	29/05/2013		--
0018	GUGO28927	00028927	O-RING D. 9.13 X 2.62 NBR 70SH	1,00	20/05/2013		--
0018	GUGO28927	00028927	O-RING D. 9.13 X 2.62 NBR 70SH	1,00	20/05/2013		--
0019	VTRS09813	00009813	WASHER D.25	2,00			--
0020	RTRT40002		WHEEL D.260 3.00-4 D.25 S.PI.NY	2,00			--
0021	MOMO40039		1PH MOTOR RPM 370 W 22/230-5/60	1,00			--
0022	RCDS40158		HOSE FITTING D.15 P/GH. D. 9.5-15 OT.	1,00	20/05/2013		--
0023	RCDS40159		HOSE FITTING D.15 P/GH. D. 7.5-12 OT.	1,00	20/05/2013		--
0023	RCDS40159		HOSE FITTING D.15 P/GH. D. 7.5-12 OT.	1,00	20/05/2013		--
0024	VTVT40052		SCREW TE-B 6,3X25 INOX-A2	2,00	01/08/2014		--
0024	VTVT13234	00013234	SCREW TCB-TC 3.5X19 NIK	2,00	14/05/2014		--
0025	RCDS40154		HOSE FITTING 3/8 M D. 9.5-15 OT.	1,00	20/05/2013		--
0026	VTDD40013		NUT G 1/2 OT.	1,00	20/05/2013		--
0026	VTDD40013		NUT G 1/2 OT.	1,00	20/05/2013		--
0026	VTDD40013		NUT G 1/2 OT.	1,00	20/05/2013		--
0026	RCVR40114		ELBOW 1/2" M/M A15	1,00			--
0029	RCVR40117		ELBOW 1/2 M/F A5	1,00			--
0030	RCDS40153		HOSE FITTING 3/8 M D. 7.5-12 OT.	1,00	20/05/2013		--
0030	RCDS40153		HOSE FITTING 3/8 M D. 7.5-12 OT.	1,00	20/05/2013		--
0030	RCDS40153		HOSE FITTING 3/8 M D. 7.5-12 OT.	1,00	20/05/2013		--
0031	RCDS01090	00001090	CAP 3/8X13 M WW90	1,00			--
0032	VVSC40012		VALVE UPS SAFETY	1,00			--
0033	RCVR40118		ELBOW 3/8 F/F/F A14	1,00			--
0035	MPVR40260		CONTAINER UPS FILTER	2,00			--
0035	FTAC40004		FILTER AC. CARB. H.CART UPS	1,00	29/05/2013		--



Ref. K	Part n.	Customer part n.	Description	Quantity	Validity		Price
					From	To	
0035	FTAC40003		FILTER AC. SED. H.CART UPS	1,00	29/05/2013	--	--
0036	TBBP40066		L.P. HOSE SAE100 R6-3/8"	0,42	20/05/2013	--	--
0037	RCDS40157		HOSE FITTING COUNT. D. 7.5-12 OT.	1,00	20/05/2013	--	--
0038	MPVR40652		CONTAINER UPS DI-FILTER 2V.	1,00	01/09/2014	--	--
0038	FTAC40005		FILTER AC. DEION. H.CART UPS	1,00	--	--	--
0039	MESB40005		REVOL.COUNTER GSD8	1,00	--	--	--
0040	RCVR40116		ELBOW 1/2" M/F A10	1,00	--	--	--
0041	RCVR40120		REDUCTION M/F 1/2"-1/4" A4	1,00	--	--	--
0043	MNMN40011		PRESSURE GAUGE 0-30MPa D.40 1/8	1,00	--	--	--
0044	FSVR11957	00011957	CLAMP D. 9.5-12 CLIC	2,00	01/08/2014	--	--
0045	RCGR40001		TAP A SF.G1/2"MF	1,00	--	--	--
0045	RCGR40001		TAP A SF.G1/2"MF	1,00	29/05/2013	--	--
0046	RCVR40122		CONNECTOR TEE 1/2 F/M/F A12	1,00	--	--	--
0047	RCDS40156		HOSE FITTING 1/2 M D. 7.5-12 OT.	1,00	20/05/2013	--	--
0048	LAFN40582		FRAME HYDROCART UPS	1,00	--	--	--
0049	ABGO34061	00034061	VIBRATION DAMP. CL.25X17- 1M6X12 60SH NBR	2,00	--	--	--
0051	RCDS40159		HOSE FITTING D.15 P/GH. D. 7.5-12 OT.	1,00	20/05/2013	--	--
0052	RCVR29602	00029602	CONNECTOR D. 1/2"-5/8" PTC	1,00	01/08/2014	--	--
0053	RCDS40168		CONNECTOR M 3/4 NH - M 3/4 G	1,00	--	--	--
0054	VTRS13946	00013946	WASHER D. 8 X24 INX UNI 6593	4,00	--	--	--
0055	VTVT15907	00015907	SCREW TE 8X25 UNI5739 INX	4,00	--	--	--
0056	RCDS00602	00000602	NIPPLE 3/4 - 1/2 CN D.13.5	1,00	29/05/2013	--	--
0057	RCVR40123		NIPPLE 1/2 - 1/2 CONICO A2	1,00	--	--	--
0058	VTRS13750	00013750	WASHER D. 5X14 INX	8,00	--	--	--
0059	GUGO19194	00019194	O-RING D. 11.11 X 1.78 NBR 70SH	1,00	29/05/2013	--	--
0059	GUGO19194	00019194	O-RING D. 11.11 X 1.78 NBR 70SH	1,00	20/05/2013	--	--
0061	RCDS40575	00040575	RING NUT G3/4 OT	1,00	--	--	--
0062	RCDS40170		NIPPLE M3/4 - M1/2 - F3/8	1,00	12/06/2013	--	--
0063	RCVR40122		CONNECTOR TEE 1/2 F/M/F A12	1,00	12/06/2013	--	--
0064	RCDS40162		VALVE SEAT UPS D.15-18.5 IX	1,00	12/06/2013	--	--
0065	LAFN40557		SPACER D. 6-10 L=10 UPS OT.	1,00	12/06/2013	--	--
0066	RCDS40160		VALVE BODY UPS G1/2 OT58	1,00	12/06/2013	--	--
0067	VTVT01168		GRUB SCREW M6X20	1,00	12/06/2013	--	--
0068	RCVR40115		ELBOW 3/8" M/M A15	1,00	--	--	--
0069	VVSF00671	00000671	VALVE 3/8	1,00	--	--	--
0071	TBBP40066		L.P. HOSE SAE100 R6-3/8"	0,60	20/05/2013	--	--
0072	VTDD15520	00015520	NUT M 6 A2 UNI 5588 INX	1,00	12/06/2013	--	--
0073	MLML40030		SPRING INOX X UPS	1,00	12/06/2013	--	--
0074	RCVR40119		REDUCTION M/F 3/4"-3/8" A4	1,00	--	--	--
0075	VTAE40006		CIRCLIP D. 5 UNI 7434 INOX	1,00	01/04/2015	--	--
0076	RCDS40202		SMALL PISTON V.UPS D. 7-12 IX	1,00	01/04/2015	--	--
0077	UGLN44398	00044398	NOZZLE M4 Fp 050 Inx	1,00	01/03/2014	--	--
0078	RCDS40169		CONNECTOR M 3/4 NH - M 1/2 G	1,00	12/06/2013	--	--
0079	RCVR40124		CONNECTOR TEE 1/2 F/F/M A13	1,00	12/06/2013	--	--



Ref. K	Part n.	Customer part n.	Description	Quantity	Validity		Price
					From	To	
0082	GUVR40087		GASKET FPEGR DE D.12-7.1X2.2 +OR	1,00	01/04/2015		--
0083	MPVR28995	00028995	GREY HUB CAP D. 110	2,00			--
0084	VTVT15525	00015525	SCREW TE 6X18	4,00	05/09/2014		--
0085	VTDD07887	00007887	NUT M 6 SERPRESS	4,00			--
0086	GUGO01060	00001060	O-RING D. 9.92 X 2.62 NBR 70SH	1,00	12/06/2013		--
0087	RCVR29600	00029600	SOCKET PTC 3/4 F	1,00			--
0088	LAFN40592		COVER UPS INX.	1,00			--
0090	VTAE40003		CIRCLIP 4" UPS	1,00			--
0091	PVVR40263		CAP HOUSING RO UPS	1,00			--
0092	GUGO40035		O-RING HOUSING END CAP RO UPS	1,00			--
0093	LAFN40589		SPACER SCATOLA ELETTR. UPS	1,00	12/06/2013		--
0093	FTAC40002		MAMBRANE OSM. RO UPS	1,00			--
0150	TBBP40072		L.P. HOSE L=890 3/8M 1/2Fsp	1,00	20/05/2013		--
0151	TBBP40071		L.P. HOSE L=340 3/8M 1/2F	1,00	20/05/2013		--
0152	TBBP40073		L.P. HOSE 3/8 L=600 3/8M 1/2F	1,00	20/05/2013		--
0153	TBBP40070		L.P. HOSE L=500 3/8M 1/2F	1,00	20/05/2013		--
0154	TBBP40069		L.P. HOSE L=320 3/8M 1/2F	1,00	20/05/2013		--
0155	PMBL40084		VALVE UPS 1/2M D. 1.50	1,00	12/06/2013		--
0156	MEVR40110		CONTROL BOX GER. 55X130X60 IP55 HPE	1,00	29/05/2013		--
0156	MEVR40081		CONTROL BOX GER. 55X130X60 IP65	1,00	29/05/2013		--
0157	TBBP40074		L.P. HOSE 3/8 L=420 1/2M 1/2F	1,00	20/05/2013		--



Ref. K	Part n.	Customer part n.	Description	Quantity	Validity		Price
					From	To	
IG	MECI93807		SWITCH 0/1 EVE SXA4528111221000	1,00	21/02/2014		--
CV1	MECB93826		CABLE HO5VVVF 3X1 M5,5 +SCH LNI	1,00	08/05/2013		--