

Integrated Professional Cleaning



IPC Foma



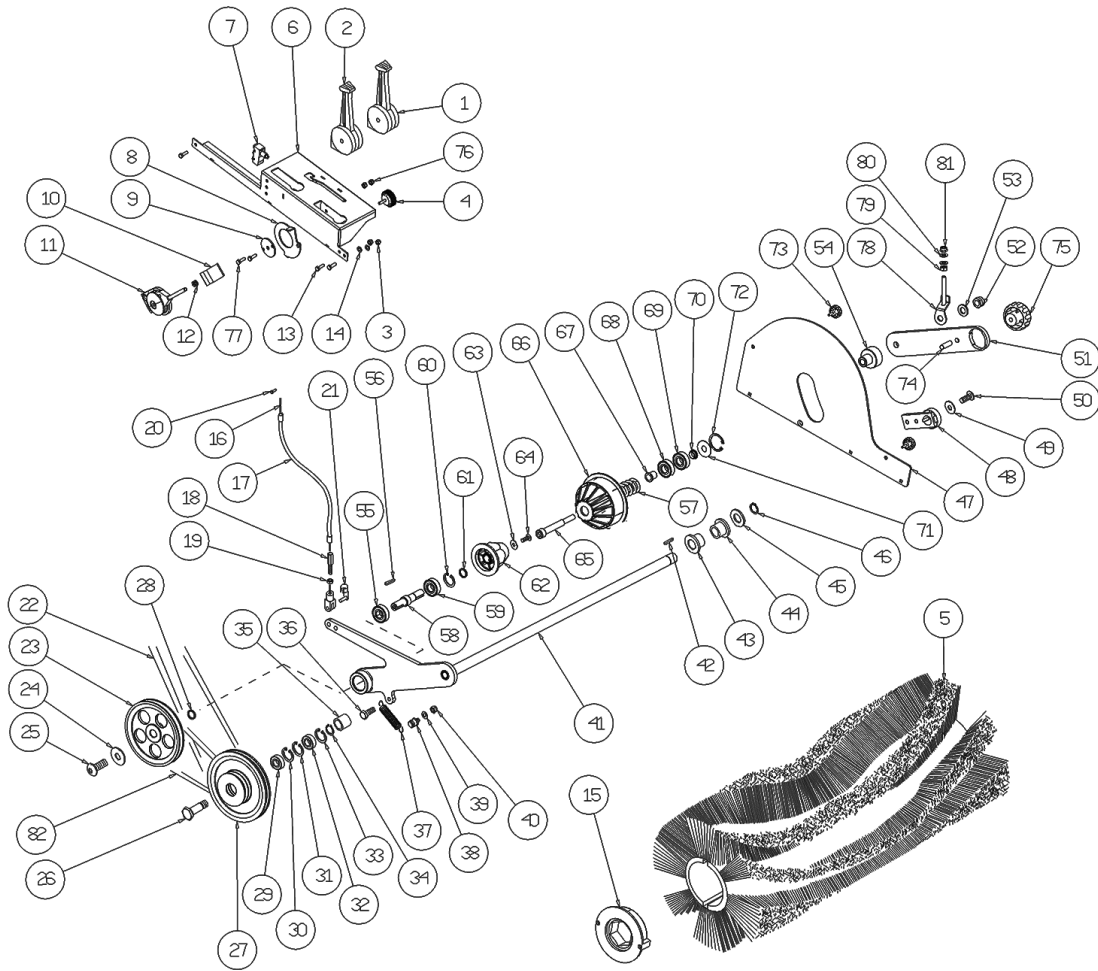
IPC Sverige

Spare Parts List

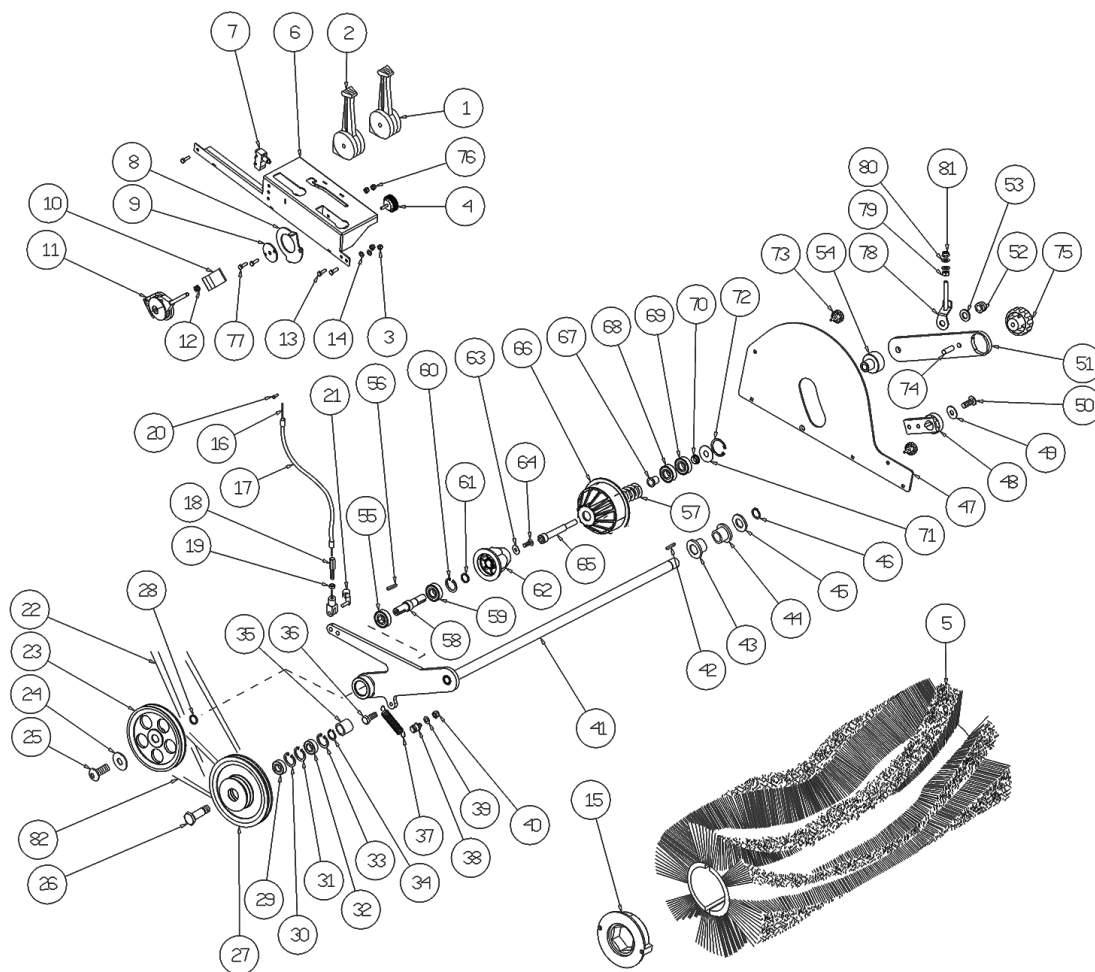
FOMA NORGE AS

Ref: MSUB00613

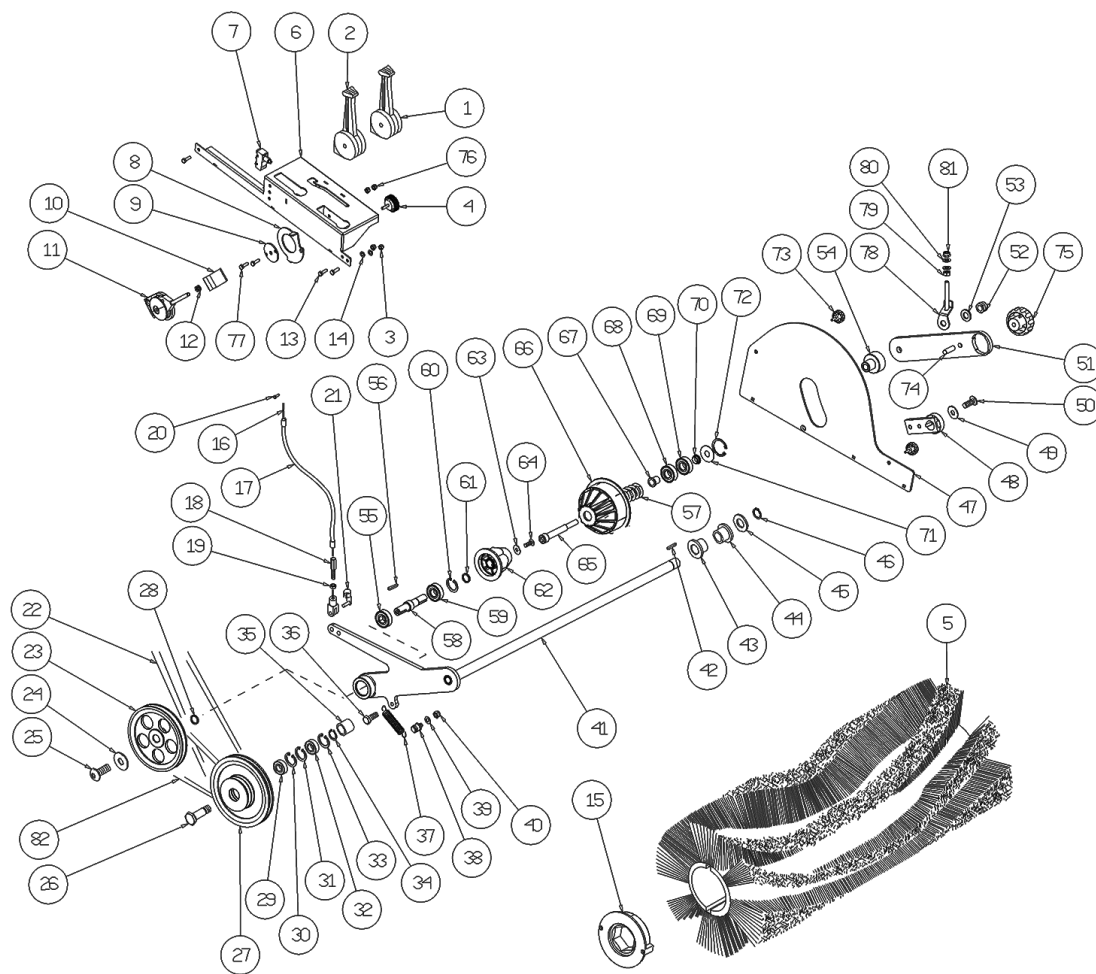
Model: 1280 P F.SAC. GR/VE 2SP IPC



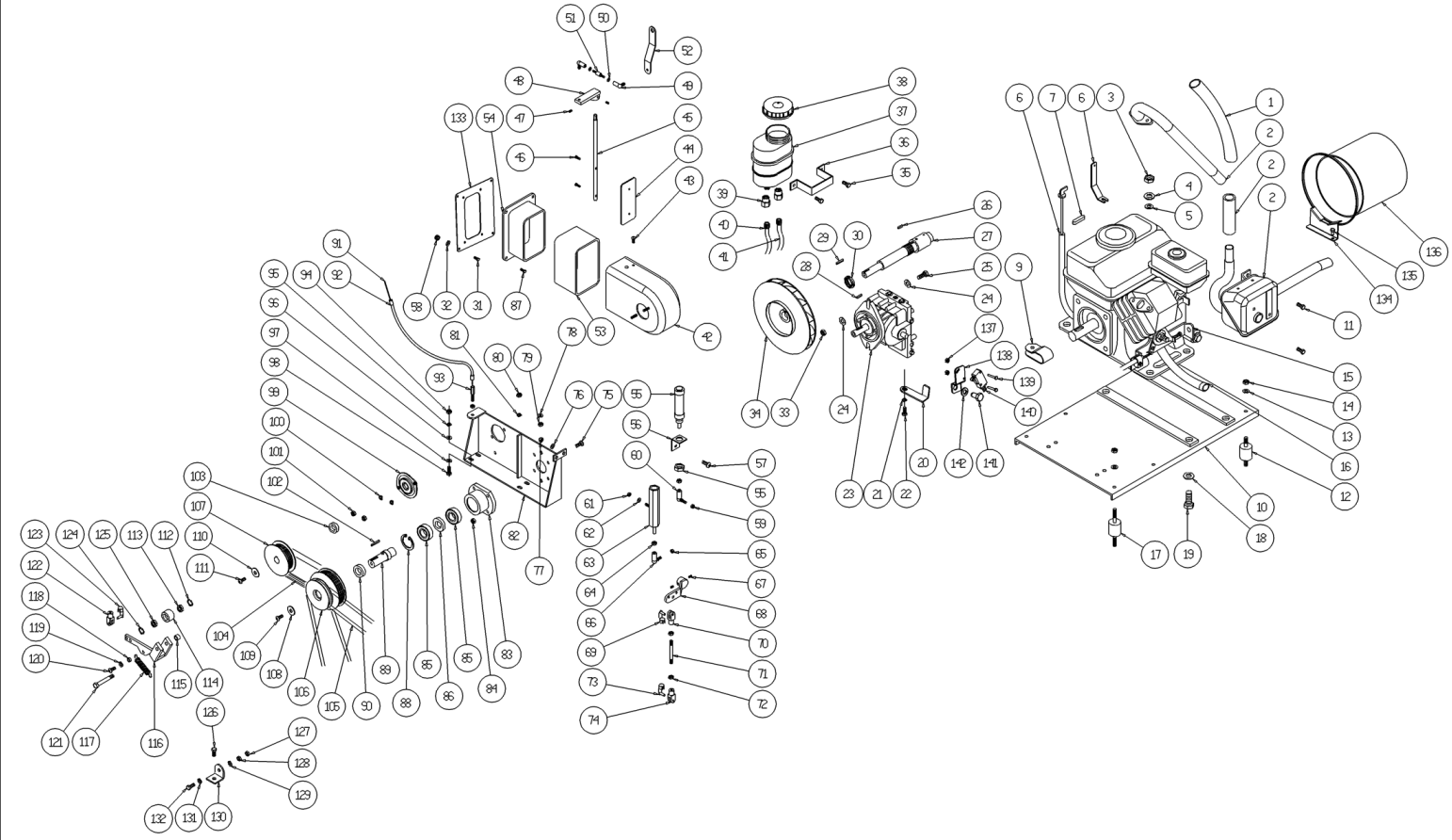
Ref.	K	Part N.	Customer Part N.	Description	Qty	Validity:		Price
						From	To	
0001		LAFN87159		LEVER	1,00			--
0002		LAFN87160		LEVER	1,00			--
0003		VTDD00491		NUT M 6 TEF	2,00			--
0004		VTVT00125		HANDWHEEL D.40 M6X15	1,00			--
0005		SPPV75791		CENTRAL BRUSH D.280 X680 SW1000 PPL	1,00			--
0006		LAFN08172		SHEET METAL PA.TK1000	1,00			--
0007		MECI75801		MICROSWITCH TK	1,00			--
0008		LAFN08186		SHEET METAL PA.-	1,00			--
0009		LAFN08176		THICKNESS -	1,00			--
0010		CMCV33356		MANOEUVRE LEVERINOX C/POM.SX NRO	1,00			--
0011		CMCV33356		MANOEUVRE LEVERINOX C/POM.SX NRO	1,00			--
0012		VTDD00483		NUT M 8 ZIN UNI 5588	1,00			--
0013		VTVT62920		SCREW TE F/ROND. M 6X 16 ZB	3,00			--
0014		VTRS00504		WASHER D. 8 TE ZC. UNI 6592	2,00			--
0015		LAFN45099		DRIVE DISK TK1400	1,00			--
0016		CMCV00451		CABLE -	1,00			--
0017		CMCV47132		SHEATH L.14 A.FLAP	1,00			--
0018		LAFN76659		PIN	1,00			--
0019		VTDD86871		NUT M7 UNI5589	1,00			--
0020		VTVT34115		SCREW TE M 5X 10 UNI 5739	1,00			--
0021		CMCV75718		CLIP UNI 1676 M8	1,00			--
0022		MTCG00140		BELT -	1,00			--
0023		MTPL75998		PULLEY SW1000	1,00			--
0024		VTRS00513		WASHER D. 8 X32 P.	1,00			--
0025		VTVT87271		SCREW TBEI M 8X 16 ISO 7380	1,00			--
0026		LAFN00465		PIN FISSAG.PULEGGIA RINVIO	1,00			--
0027		MTPL00017		PULLEY DI RINVIO TK1000S	1,00			--
0028		LAFN06823		SPACER L.14	1,00			--
0029		CUVR00005		BEARING 6202 2RS	1,00			--
0030		VTAE17002		CIRCLIP D. 35 UNI 7437	1,00			--
0031		VTAE17002		CIRCLIP D. 35 UNI 7437	1,00			--
0032		CUVR00005		BEARING 6202 2RS	1,00			--
0033		VTAE17002		CIRCLIP D. 35 UNI 7437	1,00			--
0034		VTAE17003		CIRCLIP D. 15 UNI 7435	1,00			--
0035		LAFN00091		BUSHING PER PULEGGIA TRAINO	1,00			--
0036		VTVT63129		SCREW TE F/ROND. M 8X16 ZB	1,00			--
0037		MLML87162		SPRING D. 17X150 X 2	1,00			--
0038		LAFN00464		PIN MOLLA RITORN.SPAZZ.CENTR.	1,00			--
0039		VTRS00504		WASHER D. 8 TE ZC. UNI 6592	1,00			--



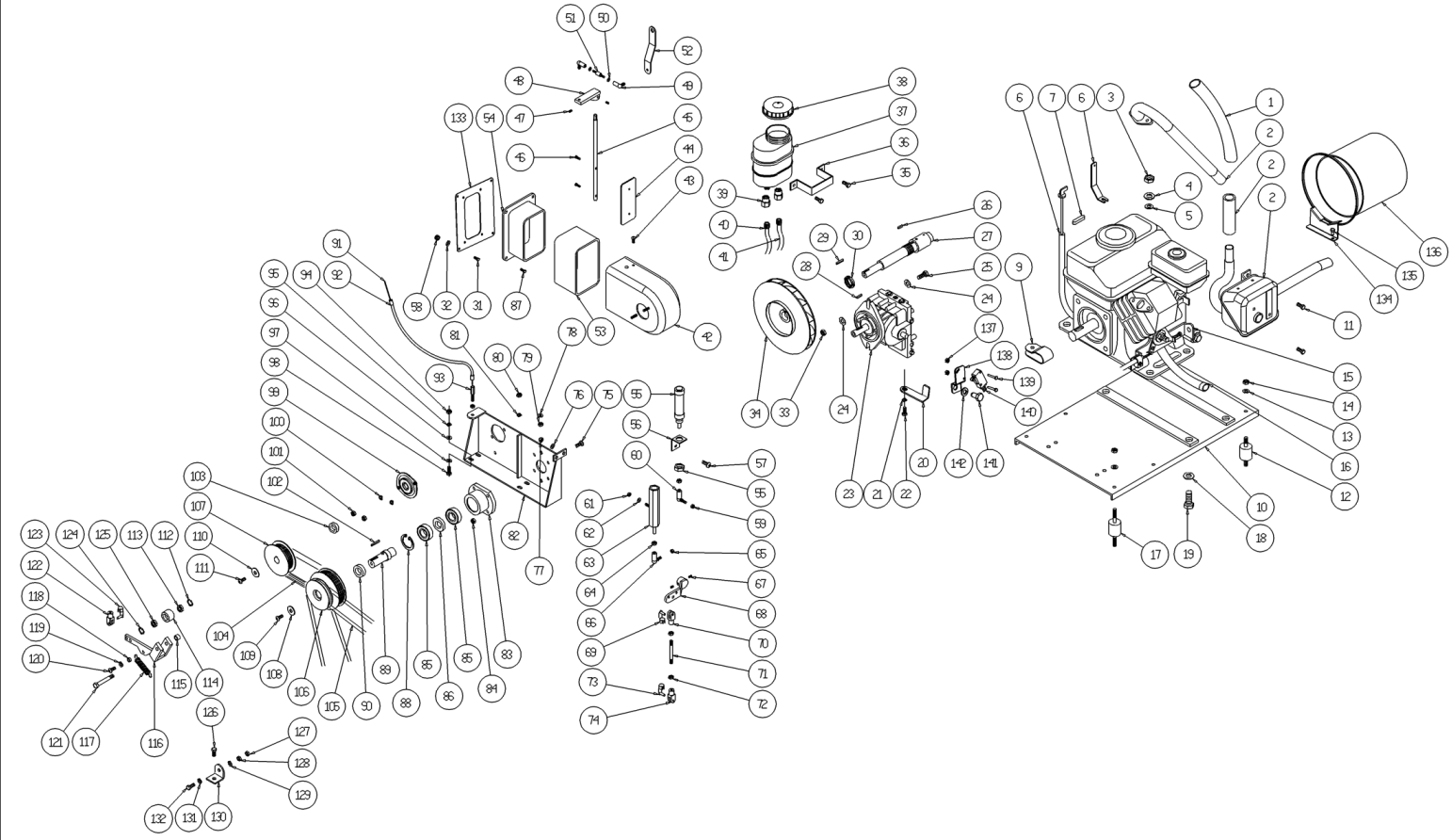
Ref.	K	Part N.	Customer Part N.	Description	Qty	Validity:		Price
						From	To	
0040		VTDD00124		NUT M 8 BASSO	1,00			--
0041		LAFN08197		ARM -	1,00			--
0042		VTVR28706		KEY 6X 6X20 UNI 6604A	1,00			--
0043		MPVR85319		BUSHING SW1000 NYL 21101013	1,00			--
0044		MPVR85319		BUSHING SW1000 NYL 21101013	1,00			--
0045		VTRS00509		WASHER D.20 PIANA Z. UNI6592	1,00			--
0046		VTAE06193		CIRCLIP D. 20 UNI 7435	1,00			--
0047		LAFN36064		CLOSURE BRUSH COMPARTMENT	1,00			--
0048		LAFN00699		CLAMP BRACCIO BLOC.SPAZZ.TK1000	1,00			--
0049		VTRS00514		WASHER D.10X30X11.4	1,00			--
0050		VTVT47025		SCREW TBEI M 10X 16 ISO 7380 ZB	1,00			--
0051		LAFN08193		ARM -	1,00			--
0052		VTDD00012		NUT AUTOBLOK DIN 985 M12 ZB	1,00			--
0053		VTRS00506		WASHER D.12 UNI 6592	1,00			--
0054		LAFN06836		PIN CENTRAGGIO PROTEZIONE	1,00		09/2015	--
0054		LAFN09473		BUSHING -	1,00	09/2015		--
0055		CUVR17004		BALL BEARING 6202 -2RS1	1,00			--
0056		VTVR13165		KEY 5X5X20	1,00			--
0057		MLML00295		SPRING SPAZZOLA CENTRALE	1,00			--
0058		LAFN08198		SHAFT -	1,00			--
0059		CUVR17004		BALL BEARING 6202 -2RS1	1,00			--
0060		VTAE17002		CIRCLIP D. 35 UNI 7437	1,00			--
0061		LAFN06823		SPACER L.14	1,00			--
0062		MPVR04915		HUB TRASCINATORE SPAZZ. CENT.	1,00			--
0063		VTRS04026		WASHER D. 6X18X2.38	1,00			--
0064		VTVT62920		SCREW TE F/ROND. M 6X 16 ZB	1,00			--
0065		VTVT01128		SCREW TCCE UNI 5931 12X120 ZB	1,00			--
0066		MPVR04923		SUPPORT SPAZZOLA CENTRALE	1,00			--
0067		LAFN06782		BUSHING PER CUSCINETTO	1,00			--
0068		CUVR17004		BALL BEARING 6202 -2RS1	1,00			--
0069		CUVR17004		BALL BEARING 6202 -2RS1	1,00			--
0070		LAFN06783		BUSHING PER CUSCINETTO 1	1,00			--
0071		VTRS00553		WASHER PARAPOLVERE	1,00			--
0072		VTAE17002		CIRCLIP D. 35 UNI 7437	1,00			--
0073		RTRT00022		HANDWHEEL D.30 M6X15	1,00			--
0074		VTVT00046		GRUB SCREW UNI 5923 8X35 ZB	1,00			--
0075		VTVR00047		HANDWHEEL D.50 M8	1,00			--
0076		VTDD00491		NUT M 6 TEF	2,00			--
0077		VTVT00444		SCREW TE 6X20 UNI5739	2,00			--



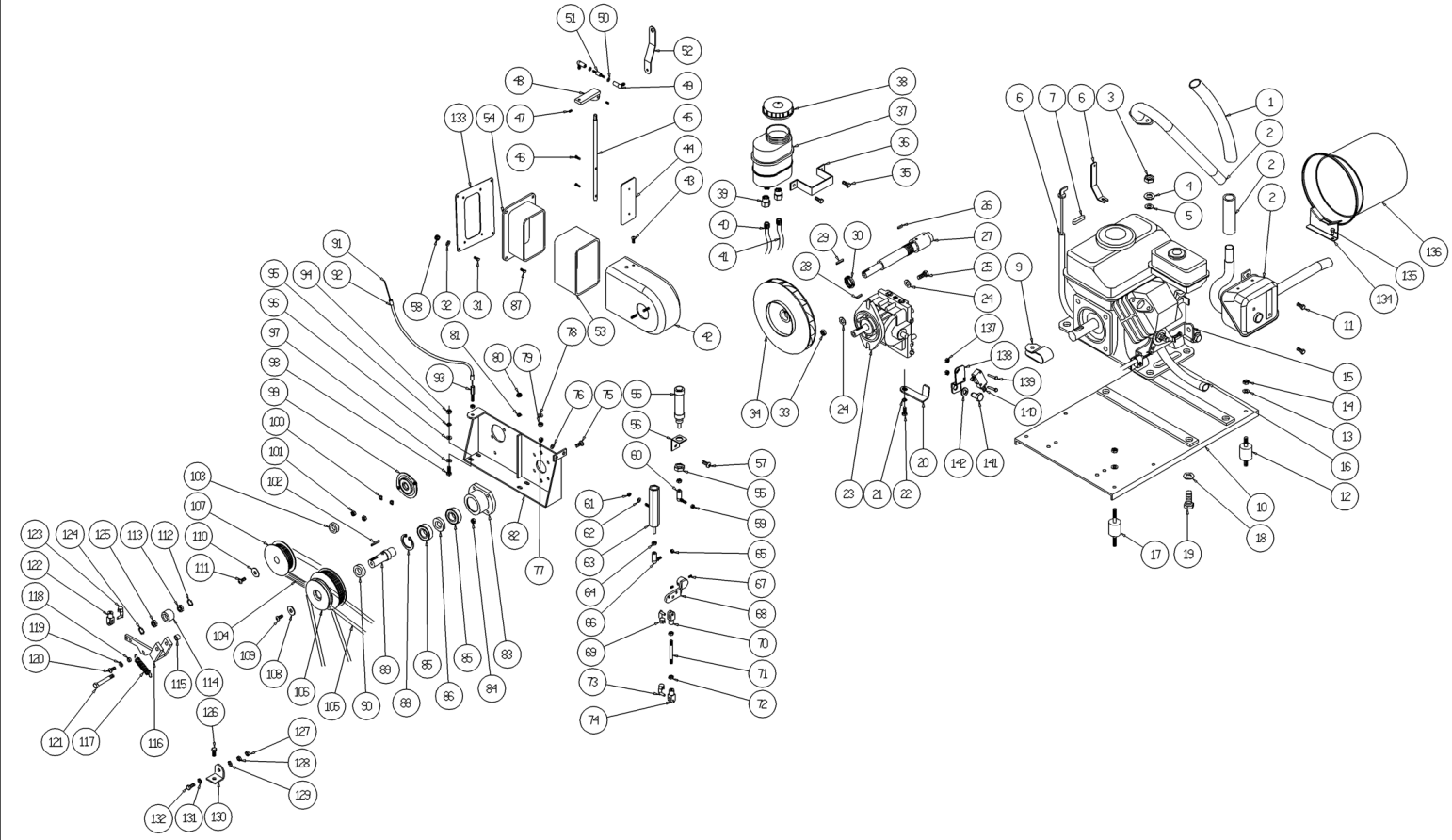
Ref. K	Part N.	Customer Part N.	Description	Qty	Validity:		Price
					From	To	
0078	LAFN08826		REGISTER -	1,00	05/2015		--
0079	VTDD00483		NUT M 8 ZIN UNI 5588	1,00	05/2015		--
0080	VTRS00504		WASHER D. 8 TE ZC. UNI 6592	2,00	05/2015		--
0081	VTDD00124		NUT M 8 BASSO	1,00	05/2015		--
0082	MTCG00138		BELT -	1,00			--



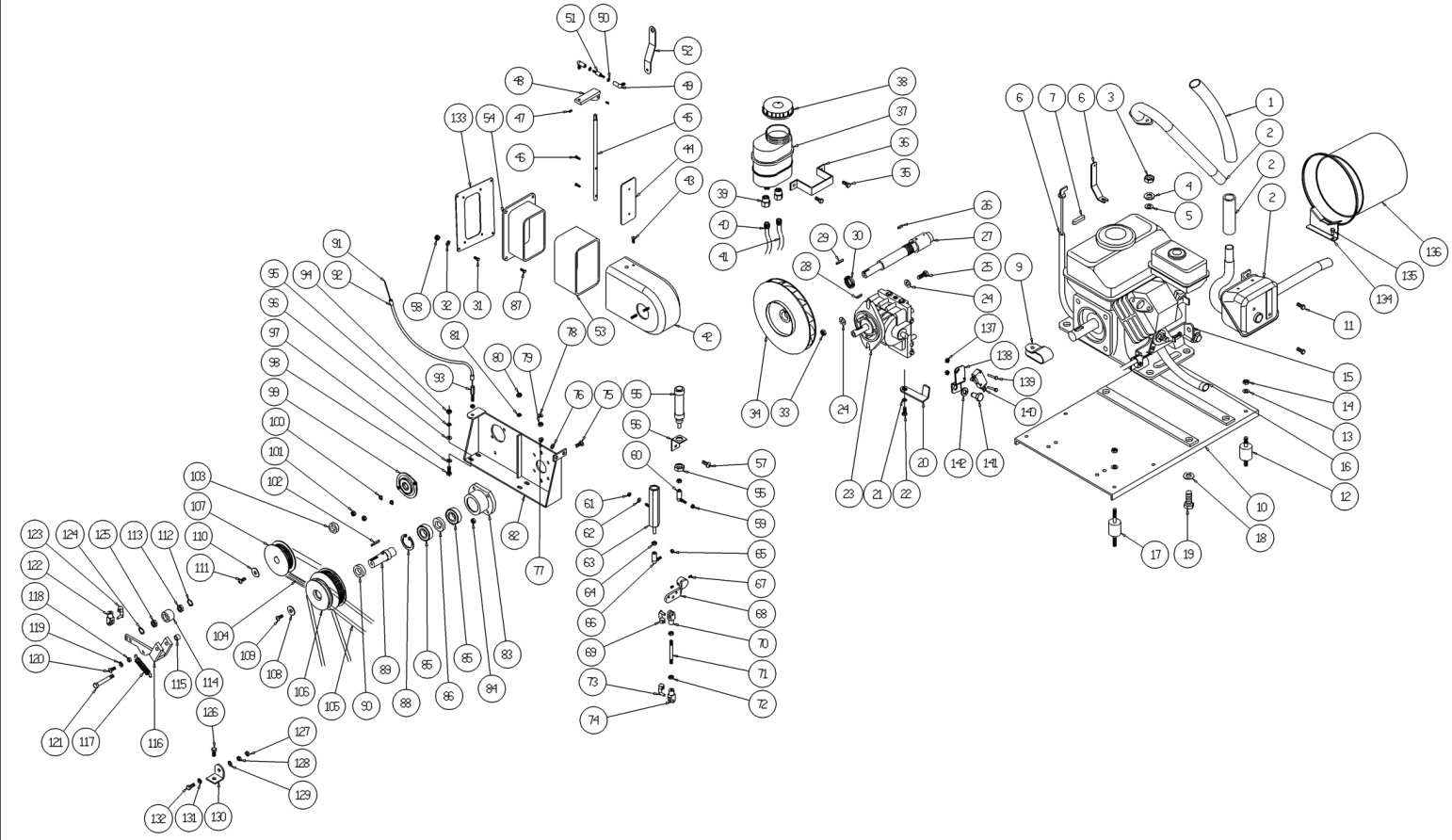
Ref.	K	Part N.	Customer Part N.	Description	Qty	Validity:		Price
						From	To	
0001		TBFX00057		FLEXIBLE HOSE	0,27	10/2015		--
0001		TBFX85186		TUBE FLEX SW 1000 25001011	1,00		10/2015	--
0002		MRSC85184		SILENCER HONDA GX 160 25001006	1,00			--
0003		VTDD00124		NUT M 8 BASSO	1,00			--
0004		VTRS01080		WASHER D. 8 GRW	1,00			--
0005		VTRS00504		WASHER D. 8 TE ZC. UNI 6592	1,00			--
0006		TBBP38393		EXTENSION HONDA GX 160	1,00			--
0007		VTVR85820		KEY 4.78X4.78X43 90745ZE1600	1,00			--
0009		FSVR00002		CLAMP EKOFLEX 9 23-35	1,00			--
0010		LAFN00702		MOTOR SUPPORT HONDA TK1000S VERNICIATO	1,00			--
0011		VTVT85116		SCREW TE FR 6,3X19 ZIN	2,00			--
0012		ABGO00007		VIBRATION DAMP.MM 30X25 8X16	3,00			--
0013		VTRS01080		WASHER D. 8 GRW	6,00			--
0014		VTDD00124		NUT M 8 BASSO	6,00			--
0015		MOSC00003		MOTOR HONDA GX160 K1 QXW	1,00			--
0016		TBBP47172		L.P. HOSE L=300 1/4F -1/4F 0°	1,00			--
0017		ABGO00007		VIBRATION DAMP.MM 30X25 8X16	4,00			--
0018		VTRS00512		WASHER D. 8 X24 ZC.	4,00			--
0019		VTVT00452		SCREW TE 8X 50 UNI 5739	4,00			--
0020		LAFN07257		LEVER BYPASS	1,00			--
0021		VTRS01080		WASHER D. 8 GRW	1,00			--
0022		VTVT00446		SCREW TE 8X20 UNI5739	1,00			--
0023		PPBP00048		PUMP 10 CC	1,00			--
0024		VTRS00505		WASHER D.10 TE UNI 6592	4,00			--
0025		VTVT00459		SCREW TE M 10X40 ZINC. UNI 5739	2,00			--
0026		VTVR28705		KEY 6X 6X15 UNI 6604A	1,00			--
0027		ALTR75830		FAN SHAFT	1,00			--
0028		VTVR16617		KEY 6X 6X30 UNI 6604	1,00			--
0029		VTVR16617		KEY 6X 6X30 UNI 6604	1,00			--
0030		VTVT00114		RING NUT AUTOBLOK M30X1,5 GUK	1,00			--
0031		VTVT62920		SCREW TE F/ROND. M 6X 16 ZB	2,00			--
0032		VTRS04026		WASHER D. 6X18X2.38	4,00			--
0033		VTDD00042		NUT AUT.M10 UNI7474	2,00			--
0034		VEVR00003		IMPELLER D.220X35 16 PALE TK1000S	1,00			--
0035		VTVT00527		SCREW TE FR 6X10 ZB ZIG.	2,00			--
0036		LAFN00306		CLAMP FISS.SERBAT.OLIO 1000S	1,00			--
0037		MPVR00015		TANK X OLIO CON FILTRO TK1000S	1,00			--
0038		MPVR00016		CAP Hydraulik tank	1,00			--
0040		TBBP00436		TUBE L=490	1,00			--



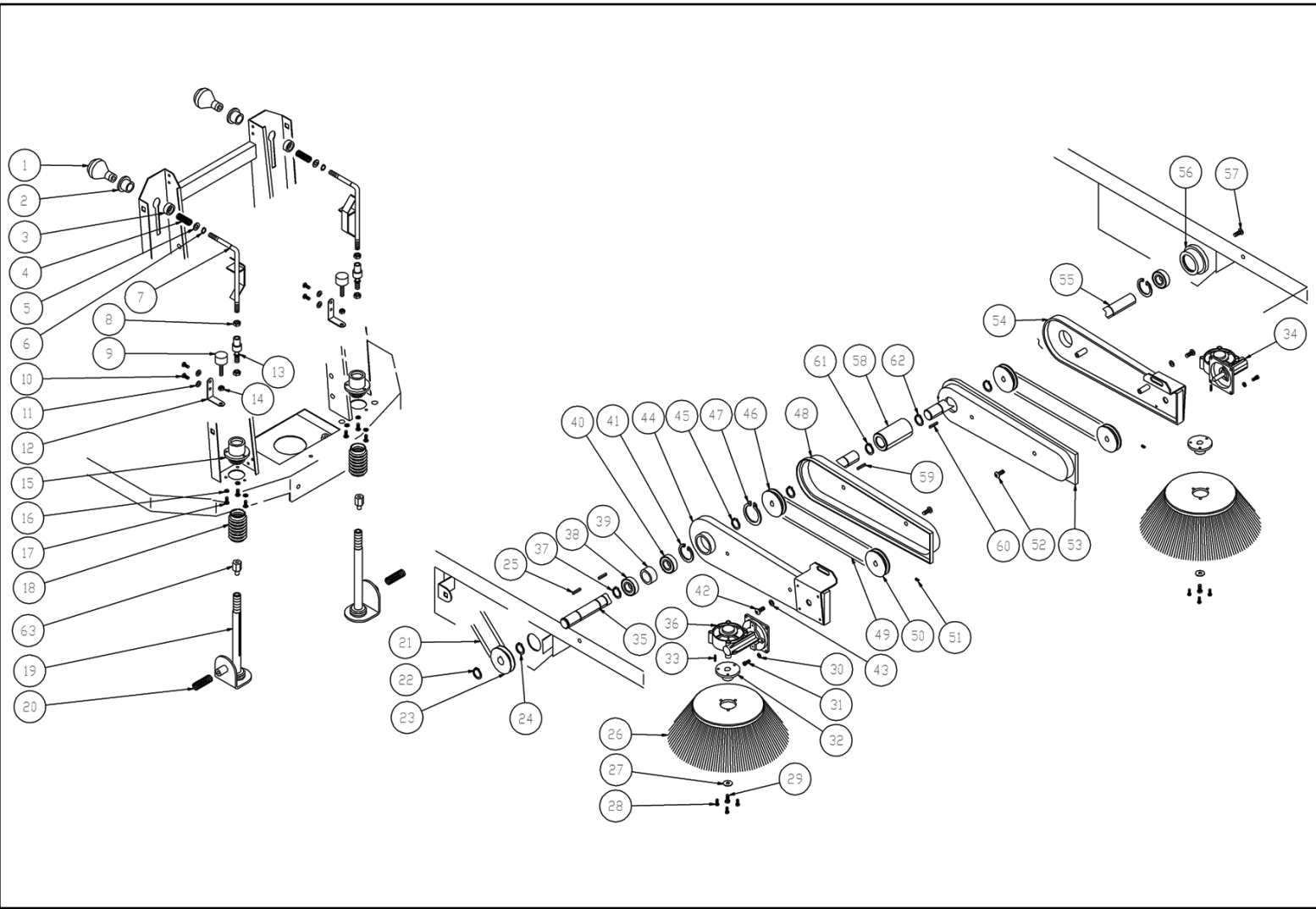
Ref.	K	Part N.	Customer Part N.	Description	Qty	Validity:		Price
						From	To	
0041		TBBP87182		L.P. HOSE 670MM	1,00			--
0042		MPVR00194		SCROLL TK1000S	1,00			--
0043		VTVT75726		SCREW TBEI M 6X 16 ISO 7380 ZB	1,00			--
0044		LAFN01072		VALVE A FARFAL.X COCLEA TK100S	1,00			--
0045		ALTR00017		SHAFT FARFALLA TK1000S	1,00			--
0046		VTVT17639		SCREW TCEI M 5X10 UNI 5931	2,00			--
0047		VTVT00052		GRUB SCREW UNI 5927 8X8 CON PUNTA	2,00			--
0048		LAFN00714		ARM APERTURA FARFAL.1000S ZN	1,00			--
0049		VTVR45280		ARTICULATION AS M6	4,00			--
0050		VTDD00482		NUT M 6 ZIN UNI 5588	1,00			--
0051		LAFN00467		PIN SNODO FARFAL.ASPIRAZ.	1,00			--
0052		LAFN00351		LEVER COMANDO APERT.FARFAL.ZINC	1,00			--
0053		MPVR06084		RUBBER -	1,00			--
0054		LAFN00303		FLANGE FISSAGGIO COCLEA TK1000S	1,00			--
0055		VTVT00118		CYLINDER MICROCILINDRO TK 1000S	1,00			--
0056		LAFN00713		BRACKET FISSAG.CILIND.PNEUMAT.ZN	1,00			--
0057		VTVT75727		SCREW 8 X 25 TBCE Z.B.	1,00			--
0058		VTDD00491		NUT M 6 TEF	4,00			--
0059		VTDD00482		NUT M 6 ZIN UNI 5588	1,00			--
0060		VTVR45280		ARTICULATION AS M6	1,00			--
0061		VTDD00124		NUT M 8 BASSO	1,00			--
0062		VTRS00504		WASHER D. 8 TE ZC. UNI 6592	1,00			--
0063		PMVR00191		CYLINDER STABILIZZATORE 1000S COMP	1,00			--
0064		VTDD00482		NUT M 6 ZIN UNI 5588	1,00			--
0065		VTDD00482		NUT M 6 ZIN UNI 5588	1,00			--
0066		VTVR45280		ARTICULATION AS M6	1,00			--
0067		VTVT00047		GRUB SCREW UNI 5923 8X8	2,00			--
0068		LAFN85725		ARM TK1000S TK22601003	1,00			--
0069		CMCV75718		CLIP UNI 1676 M8	1,00			--
0070		CMCV00001		FORK UNI 1676 M8X16	1,00			--
0071		LAFN00470		PIN DI COLLEG.POMPA A PED.DIR	1,00			--
0072		VTDD00483		NUT M 8 ZIN UNI 5588	1,00			--
0073		CMCV75718		CLIP UNI 1676 M8	1,00			--
0074		CMCV00001		FORK UNI 1676 M8X16	1,00			--
0075		VTVT63134		SCREW M 8X25 TSPEI ZC UNI 5933	4,00			--
0076		VTRS00504		WASHER D. 8 TE ZC. UNI 6592	1,00			--
0077		VTDD00124		NUT M 8 BASSO	1,00			--
0078		VTRS00504		WASHER D. 8 TE ZC. UNI 6592	1,00			--
0079		VTDD00124		NUT M 8 BASSO	1,00			--



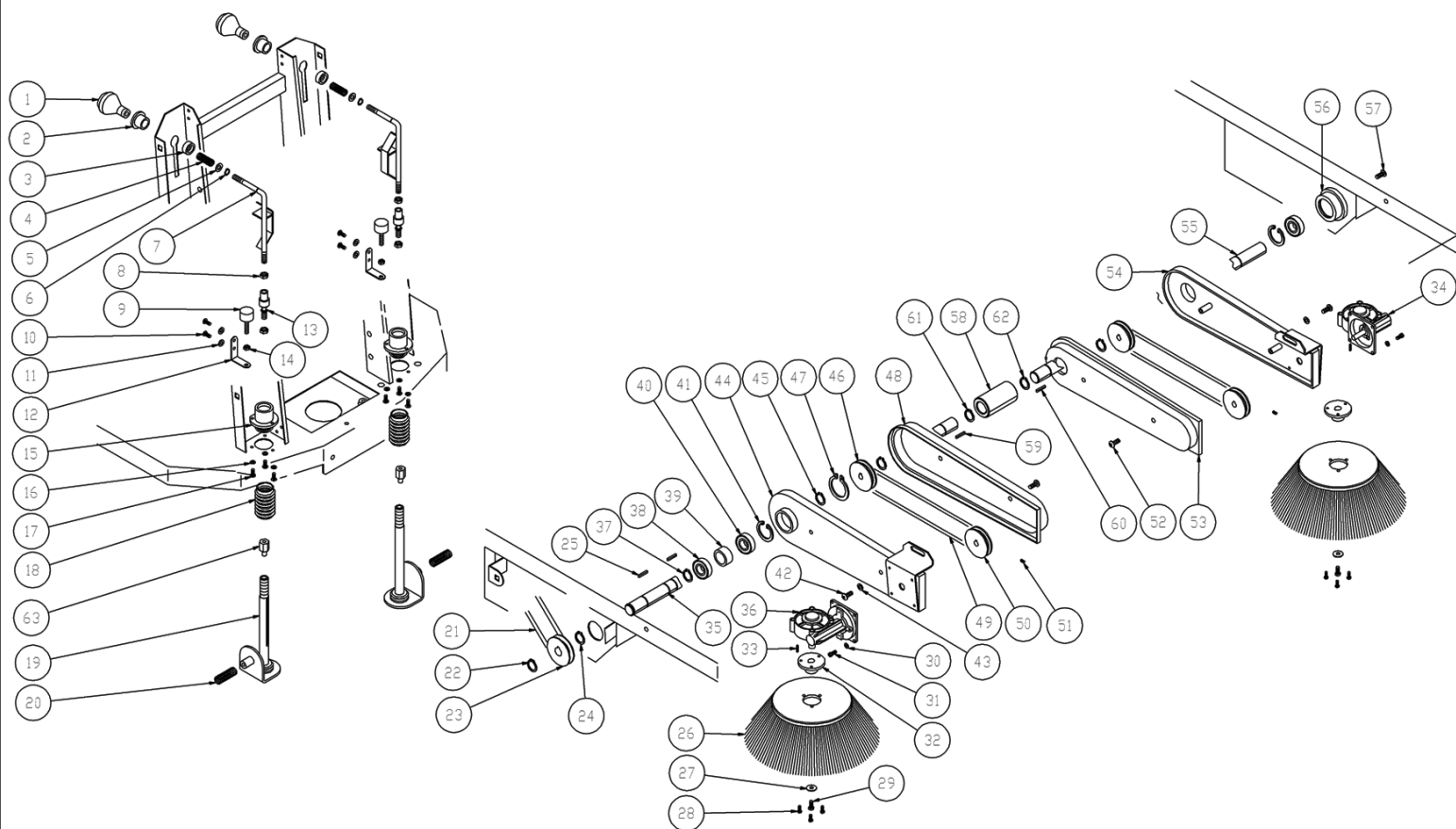
Ref.	K	Part N.	Customer Part N.	Description	Qty	Validity:		Price
						From	To	
0080		VTDD00124		NUT M 8 BASSO	1,00			--
0081		VTRS01080		WASHER D. 8 GRW	1,00			--
0082		LAFN00706		SUPPORT POMPA TK1000S VERNICIATO	1,00			--
0083		MFVR85824		FLANGE TK1000S TK21501011	1,00			--
0084		VTDD00124		NUT M 8 BASSO	4,00			--
0085		CUVR86893		BEARING 6005 2RS	2,00			--
0086		LAFN87093		SPACER TK21101033	1,00			--
0087		VTVT01109		SCREW TE M 6X 10 ZC. UNI 5739	4,00			--
0088		VTAE85823		CIRCLIP D. 47 UNI 7435	1,00			--
0089		ALTR85825		SHAFT TK1000S TK21001008	1,00			--
0090		LAFN85821		SPACER TK1000S TK21101018	1,00			--
0091		CMCV00451		CABLE -	1,00			--
0092		CMCV38615		SHEATH VIPLAST 3.5X6 X7 L. 315	1,00			--
0093		CMCV75723		REGISTER D.7	1,00			--
0094		VTDD00124		NUT M 8 BASSO	1,00			--
0095		VTRS01080		WASHER D. 8 GRW	1,00			--
0096		VTRS00504		WASHER D. 8 TE ZC. UNI 6592	1,00			--
0097		VTRS00504		WASHER D. 8 TE ZC. UNI 6592	1,00			--
0098		VTVT00447		SCREW TE 8X25 UNI5739	4,00			--
0099		CUVR58861		BEARING SBPFL 204 BK	1,00			--
0100		VTRS00504		WASHER D. 8 TE ZC. UNI 6592	2,00			--
0101		VTDD00124		NUT M 8 BASSO	2,00			--
0102		VTVR16617		KEY 6X 6X30 UNI 6604	1,00			--
0103		LAFN00099		SPACER PULEGGIA MOTORE VENTOLA	1,00			--
0104		MTCG75777		BELT POLY 660J 10 V	1,00			--
0105		MTCG00139		BELT -	1,00			--
0106		MTPL85900		PULLEY 2 G TK22501016	1,00			--
0107		MTPL86537		PULLEY POLY 660J	1,00			--
0108		VTRS00513		WASHER D. 8 X32 P.	1,00			--
0109		VTVT45395		SCREW TBEI M 8X 10 ISO 7380 ZB	1,00			--
0110		VTRS00513		WASHER D. 8 X32 P.	1,00			--
0111		VTVT75724		SCREW TBEI M 8X 22 ISO 7380 ZB	1,00			--
0112		VTAE13513		CIRCLIP D. 26 UNI 7437	1,00			--
0113		CUVR86373		BEARING 6000 2RS	1,00			--
0114		MTPL47061		ROLLER L.14	1,00			--
0115		LAFN47060		SPACER L.14	1,00			--
0116		LAFN00254		TRIGGER RULLO TENDIC TK1000S ZINC	1,00			--
0117		MLML00015		SPRING RIT.BR.LAT.D.19X3,25X57zb	1,00			--
0118		LAFN00100		BUSHING LEVA TENDICINCHIA TK1000S	1,00			--



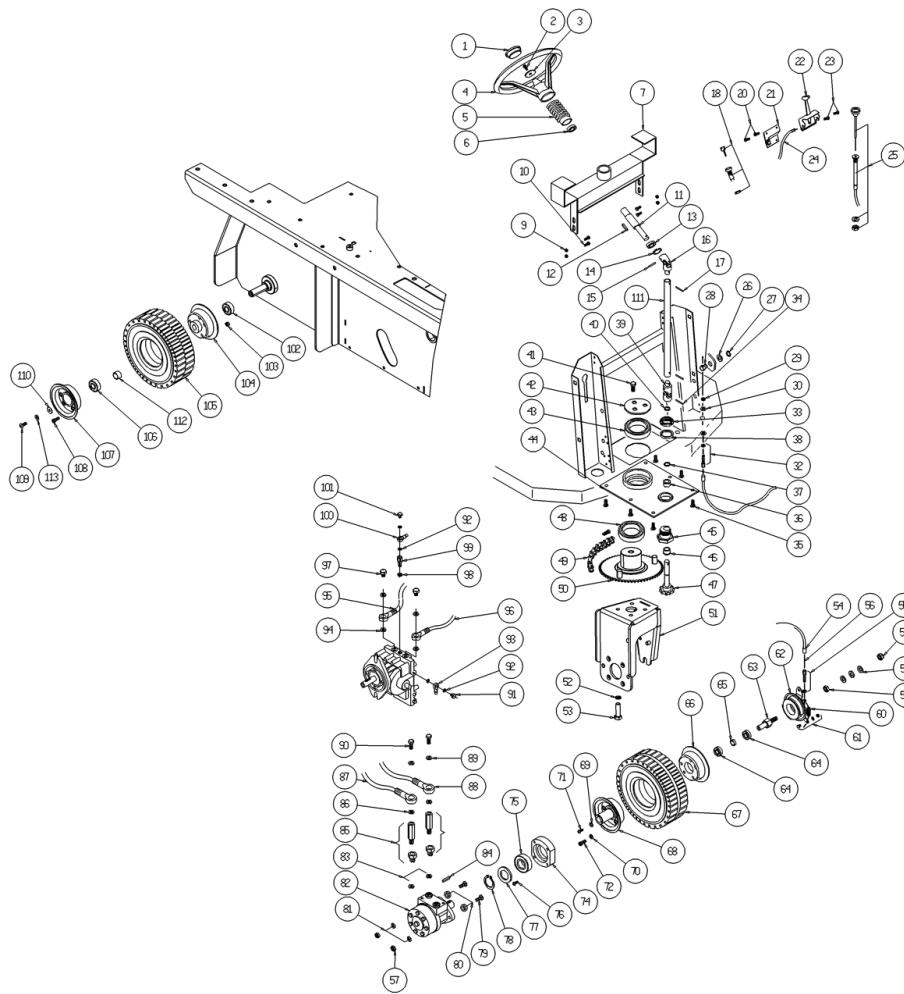
Ref.	K	Part N.	Customer Part N.	Description	Qty	Validity:		Price
						From	To	
0119		VTRS00504		WASHER D. 8 TE ZC. UNI 6592	1,00			--
0120		VTVT00017		SCREW TE UNI 5739 8X35 ZB	1,00			--
0121		VTVR00035		PIN M6X45 CH.12	1,00			--
0122		CMCV00001		FORK UNI 1676 M8X16	1,00			--
0123		CMCV75718		CLIP UNI 1676 M8	1,00			--
0124		VTAE13513		CIRCLIP D. 26 UNI 7437	1,00			--
0125		CUVR86373		BEARING 6000 2RS	1,00			--
0126		VTVT85116		SCREW TE FR 6,3X19 ZIN	1,00			--
0127		VTDD00483		NUT M 8 ZIN UNI 5588	1,00			--
0128		VTDD00483		NUT M 8 ZIN UNI 5588	1,00			--
0129		VTRS00504		WASHER D. 8 TE ZC. UNI 6592	1,00			--
0130		LAFN48831		BRACKET SW	1,00			--
0131		VTRS00504		WASHER D. 8 TE ZC. UNI 6592	1,00			--
0132		VTVT00017		SCREW TE UNI 5739 8X35 ZB	1,00			--
0133		LAFN08173		SHEET METAL.PA.TK1000	1,00			--
0134		LAFN09374		BRACKET -	1,00		09/2014	--
0135		VTVT63129		SCREW TE F/ROND. M 8X16 ZB	1,00		09/2014	--
0136		TBFX33835		TUBE FLEX D.180 ASPIREX PVC GR	0,32			--
0137		VTDD00001		NUT UNI 5588 M3 ZB	2,00			--
0138		LAFN09390		BRACKET -	1,00			--
0139		VTVT00021		SCREW TE UNI 5739 3X25 ZB	2,00			--
0140		MEC100114		MICROSWITCH	1,00			--
0141		VTVT01110		SCREW TE 8X16 UNI5739	1,00			--
0142		VTRS01080		WASHER D. 8 GRW	1,00			--



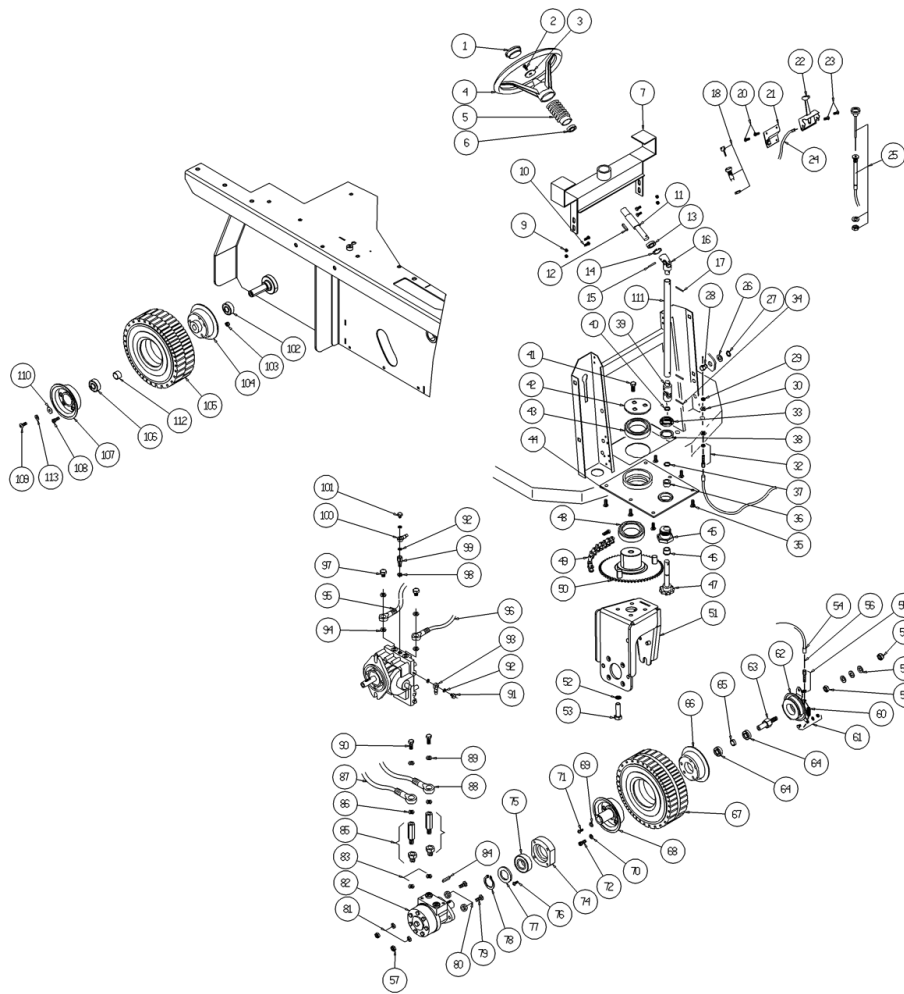
Ref.	K	Part N.	Customer Part N.	Description	Qty	Validity:		Price
						From	To	
0001		MPVR87264		KNOB ALZASPAZZ.LAT.TK1000	2,00			--
0002		MPVR47076		BUSHING L.14 EXT.	2,00			--
0003		MPVR47074		BUSHING L.14 INT.	2,00			--
0004		MLML47075		SPRING D.15X 24 X1.5	2,00			--
0005		VTRS00505		WASHER D.10 TE UNI 6592	2,00			--
0006		VTAE87276		SEEGER EXT. D10 DIN471	2,00			--
0007		LAFN00700		ARM DX ALZA SPAZ. TK1000 ZINC	2,00			--
0008		VTDD00008		NUT M10 UNI 5589 ZB	4,00	12/2014		--
0008		VTDD00484		NUT M10 ZIN UNI 5588	2,00		12/2014	--
0009		ABGO00008		VIBRATION DAMP.PM 20X20 M6X20	2,00	12/2014		--
0009		MPVR75799		FOOT 20x9 M 6x18	2,00		12/2014	--
0010		VTVT75726		SCREW TBEI M 6X 16 ISO 7380 ZB	4,00			--
0011		VTRS04026		WASHER D. 6X18X2.38	4,00			--
0012		MPVR86579		SUPPORT TK	2,00			--
0013		VTVR47072		ARTICULATION AS M10	2,00			--
0014		VTDD00482		NUT M 6 ZIN UNI 5588	2,00			--
0015		LAFN87266		FLANGE SUPP.SPAZZ.LAT.TK1000ZN	2,00			--
0016		VTRS00503		WASHER D. 6 TE UNI 6798	6,00			--
0017		VTVT75726		SCREW TBEI M 6X 16 ISO 7380 ZB	6,00			--
0018		MPVR47066		PROTECTOR L.14	2,00			--
0019		LAFN87267		ARM SUPPORT LAT.DX/SX TK1000S	2,00			--
0020		MLML75963		SPRING	2,00			--
0021		MTCG00139		BELT -	1,00			--
0022		VTAE13512		CIRCLIP D. 17 UNI 7435	1,00			--
0023		MTPL00016		PULLEY D.78 H.25	1,00			--
0024		VTAE13512		CIRCLIP D. 17 UNI 7435	1,00			--
0025		VTVR33667		KEY 5x 5x25 UNI 6604A	2,00			--
0026		SPPV00018		BRUSH LATERALE TK1300/TK1200	2,00			--
0027		VTRS63242		WASHER D. 6 X24 ZC	2,00			--
0028		VTVT62920		SCREW TE F/ROND. M 6X 16 ZB	6,00			--
0029		VTVT00527		SCREW TE FR 6X10 ZB ZIG.	2,00			--
0030		VTRS00503		WASHER D. 6 TE UNI 6798	8,00			--
0031		VTVT75726		SCREW TBEI M 6X 16 ISO 7380 ZB	8,00			--
0032		LAFN45010		FLANGE L.1400 LT.	2,00			--
0033		VTVR33667		KEY 5x 5x25 UNI 6604A	2,00			--
0034		RDGR75786		REDUCTION UNIT SX SWEEP 1000 SC	1,00			--
0035		ALTR00098		SHAFT DX	1,00			--
0036		RDGR85001		REDUCTION UNIT SWEEP 1000 SC	1,00			--
0037		VTAE13512		CIRCLIP D. 17 UNI 7435	1,00			--



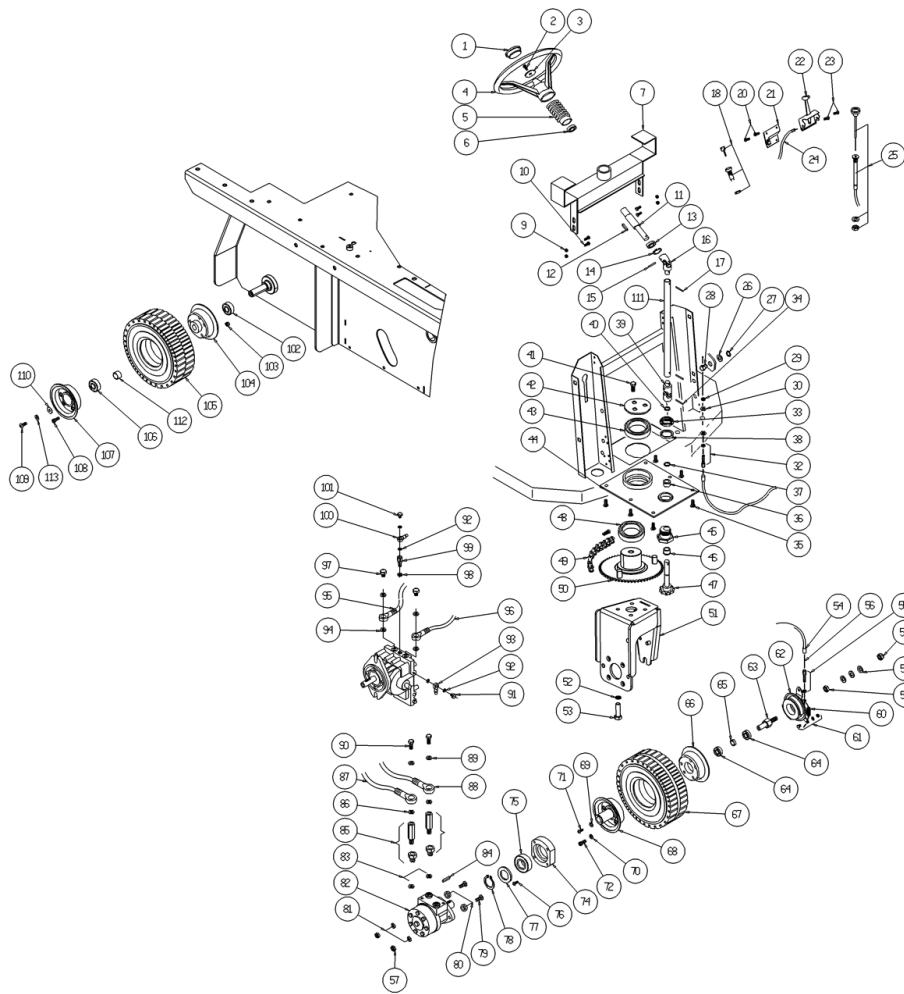
Ref.	K	Part N.	Customer Part N.	Description	Qty	Validity:		Price
						From	To	
0038		CUVR00008		BEARING 6003 2RS	1,00			--
0039		LAFN00102		SPACER CUSCIN.MOZZO SOST.SP.LAT.	1,00			--
0040		CUVR00008		BEARING 6003 2RS	2,00			--
0041		VTAE17002		CIRCLIP D. 35 UNI 7437	2,00			--
0042		VTVT87271		SCREW TBEI M 8X 16 ISO 7380	2,00			--
0043		VTRS00512		WASHER D. 8 X24 ZC.	2,00			--
0044		LAFN76761		ARM DX SW1000S TK22601034	1,00			--
0045		VTAE13512		CIRCLIP D. 17 UNI 7435	1,00			--
0046		MTPL87275		PULLEY D.96 H.26	1,00			--
0047		VTAE87277		SEEGER ESTERNO DIN 471 D.45	2,00			--
0049		MTCG85309		BELT 8X 905	2,00			--
0050		MTPL87274		PULLEY D.75 H.27	2,00			--
0051		VTVT86570		GRUB SCREW M 6x10 UNI 5927	2,00			--
0052		VTVT45395		SCREW TBEI M 8X 10 ISO 7380 ZB	4,00			--
0053		MPVR87281		CRANKCASE LATERALE SX TK1000S	1,00			--
0054		LAFN87273		ARM ALZ.LAT.SX TK1000S VERN	1,00			--
0055		ALTR00099		SHAFT SX	1,00			--
0056		LAFN87280		HUB SOSTEGNO SX ALB.SPАЗ.LAT.	1,00			--
0057		VTVT47025		SCREW TBEI M 10X 16 ISO 7380 ZB	1,00			--
0058		LAFN08218		SLEEVE -	1,00			--
0059		VTVR33667		KEY 5x 5x25 UNI 6604A	1,00			--
0060		VTVR33667		KEY 5x 5x25 UNI 6604A	1,00			--
0061		VTAE13512		CIRCLIP D. 17 UNI 7435	1,00			--
0062		VTAE13512		CIRCLIP D. 17 UNI 7435	1,00			--
0063		LAFN08217		SPACER -	2,00			--



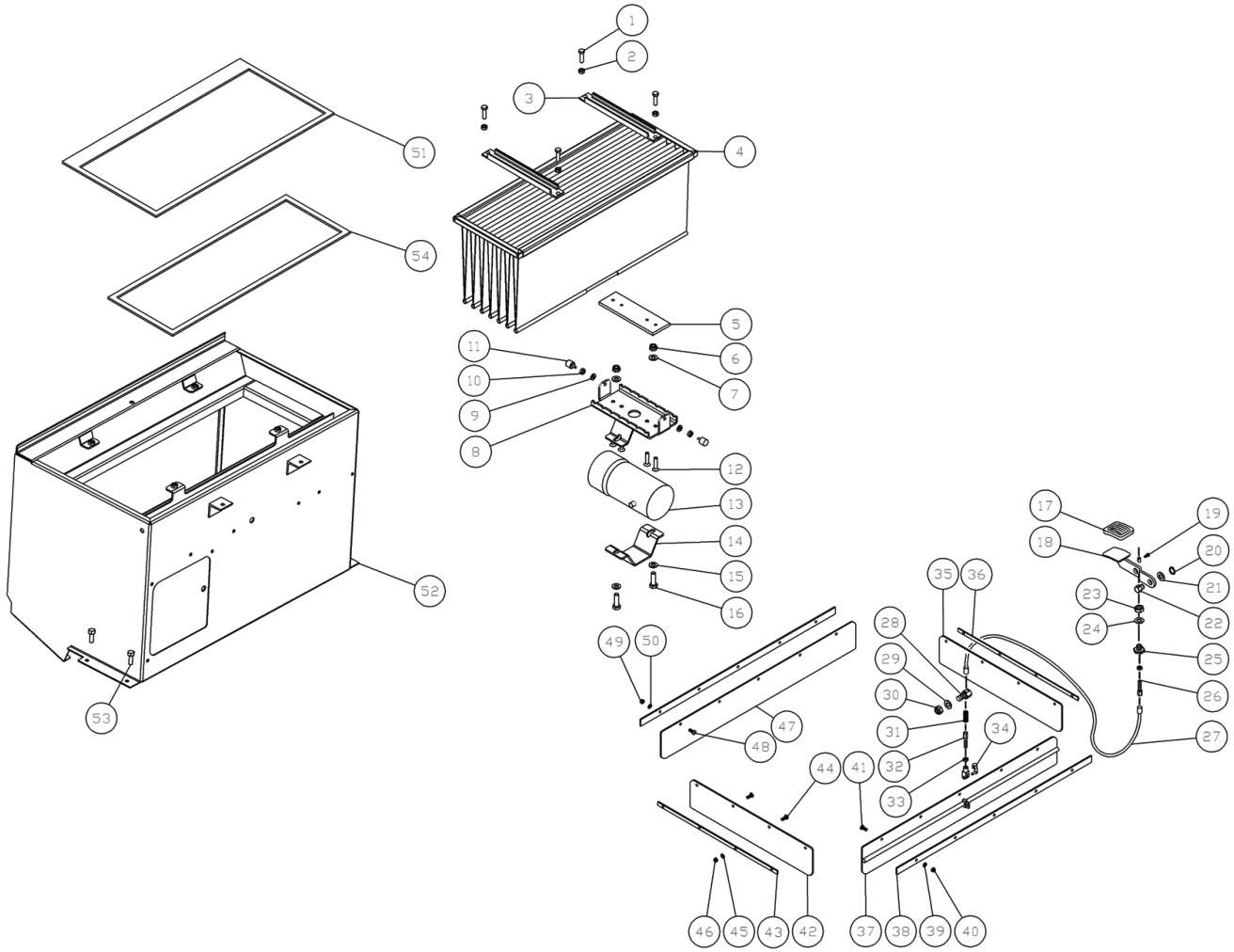
Ref.	K	Part N.	Customer Part N.	Description	Qty	Validity:		Price
						From	To	
0001		MPVR47026		BLACK CAP L.14	1,00			--
0002		VTVT47025		SCREW TBEI M 10X 16 ISO 7380 ZB	1,00			--
0003		VTRS44254		WASHER D.10 X40X2.5 UNI6593	1,00			--
0004		MPVR47027		STEERING WHEEL D. 320 L. 14	1,00			--
0005		MPVR47066		PROTECTOR L.14	1,00			--
0006		CUVR00005		BEARING 6202 2RS	1,00			--
0007		LAFN09337		SUPPORT 1250-1280	1,00			--
0009		VTDD07887		NUT M 6 SERPRESS	4,00			--
0010		VTVT62920		SCREW TE F/ROND. M 6X 16 ZB	4,00			--
0011		ALTR00011		SHAFT PER VOLANTE TK1000	1,00			--
0012		VTVR13164		KEY 5X5X30	1,00			--
0013		CUVR00005		BEARING 6202 2RS	1,00			--
0014		VTAE17002		CIRCLIP D. 35 UNI 7437	1,00			--
0015		VTVR46987		ELASTIC PLUG 5X25 UNI 6873	1,00			--
0016		VTVR00562		ARTICULATION -	1,00			--
0017		VTVR46987		ELASTIC PLUG 5X25 UNI 6873	1,00			--
0018		MECI87180		SWITCH A CHIAVE	1,00			--
0020		VTVT00058		SCREW TCEI M 5X12 ZB U.5931	2,00			--
0021		LAFN00668		SUPPORT ACCELERATORE 1000SH ZINC.	1,00			--
0022		CMCV75739		ACCELERATOR TK S	1,00			--
0023		VTVT00527		SCREW TE FR 6X10 ZB ZIG.	2,00			--
0024		CMCV87184		CABLE + GU. TK 1000	1,00			--
0025		CMCV87185		CABLE + GU. STARTER TK	1,00			--
0026		VTRS00506		WASHER D.12 UNI 6592	1,00			--
0027		VTAE14016		CIRCLIP D. 12 UNI 7435	1,00			--
0028		LAFN75973		PIN FLAP TK	1,00			--
0029		CMCV75723		REGISTER D.7	1,00			--
0030		VTRS00504		WASHER D. 8 TE ZC. UNI 6592	2,00			--
0032		CMCV75723		REGISTER D.7	1,00			--
0033		VTVR75747		RING NUT AUTOBLOK M 35 X 1,5 GUK	1,00			--
0034		VTVR46987		ELASTIC PLUG 5X25 UNI 6873	1,00			--
0035		VTVT00455		SCREW TE 10X20 UNI5739	6,00			--
0036		LAFN75841		BUSHING TK 1000	1,00			--
0037		MPVR75734		THICKNESS D.15X22X0.5	1,00			--
0038		LAFN75913		SPACER TK	1,00			--
0039		VTVR00562		ARTICULATION -	1,00			--
0040		VTAE17003		CIRCLIP D. 15 UNI 7435	1,00			--
0041		VTVT00014		SCREW TE UNI 5739 8X20 CL.10.9	3,00			--
0042		LAFN47004		FLANGE TK1400	1,00			--



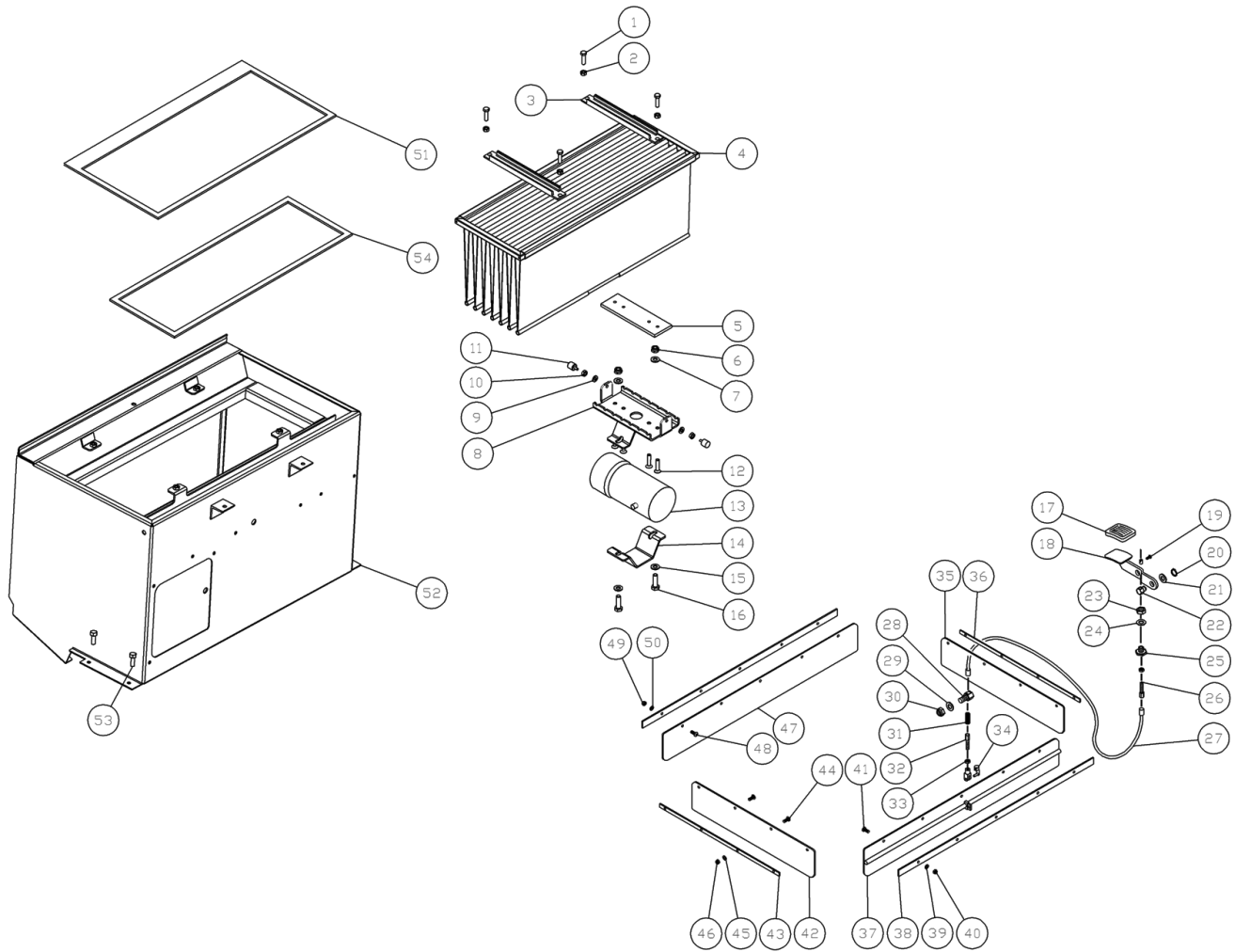
Ref.	K	Part N.	Customer Part N.	Description	Qty	Validity:		Price
						From	To	
0043		CUVR75816		BEARING 51112	1,00			--
0044		LAFN85521		FLANGE SW1000 21501004	1,00			--
0045		LAFN75842		BUSHING TK 1000	1,00			--
0046		LAFN75841		BUSHING TK 1000	1,00			--
0047		KTRI46514		PIN TK 1000 + BUSCH.	1,00			--
0048		CUVR75816		BEARING 51112	1,00			--
0049		MTCR85008		CHAIN SWEEP 1000 ET	1,00			--
0050		LAFN08185		BRAKE -	1,00			--
0051		LAFN08177		SUPPORT -	1,00			--
0052		VTRS00107		WASHER M10 Grower	4,00			--
0053		VTVT00455		SCREW TE 10X20 UNI5739	4,00			--
0054		CMCV47132		SHEATH L.14 A.FLAP	1,00			--
0055		CMCV75723		REGISTER D.7	1,00			--
0056		CMCV85320		CABLE D.2,5 L.760 21251003	1,00			--
0057		VTDD00012		NUT AUTOBLOK DIN 985 M12 ZB	1,00			--
0058		VTRS00506		WASHER D.12 UNI 6592	3,00			--
0059		VTDD00498		NUT M12	1,00			--
0060		MLML75964		SPRING D. 11,3 X100 X1,5 TK	1,00			--
0061		VTVR00029		CLAMP FRENO ART.7056	1,00			--
0062		LAFN86483		BRAKE ANT.D.90 TK1000	1,00			--
0063		LAFN86494		PIN RUOTA ANTERIORE TK1000S	1,00			--
0064		CUVR00005		BEARING 6202 2RS	2,00			--
0065		LAFN00096		BUSHING DISTANZ.CUSC.RUOTA ANT.	1,00			--
0066		LAFN85291		HUB SW 1000 22501002	1,00			--
0067		KTRI75744		REAR WHEELS TK1000	1,00			--
0068		LAFN00630		HUB RUOTA ANTER.MOTO.IDRAUL.	1,00			--
0069		VTRS00512		WASHER D. 8 X24 ZC.	1,00			--
0070		VTRS01080		WASHER D. 8 GRW	5,00			--
0071		VTVT87271		SCREW TBEI M 8X 16 ISO 7380	1,00			--
0072		VTVT29810		SCREW TCEI M 8X20 UNI 5931	5,00			--
0074		LAFN00097		BUSHING PORTA CUSCINETTO 6008	1,00			--
0075		CUVR48690		BALL BEARING 6008-2RS1	1,00			--
0076		VTVT63134		SCREW M 8X25 TSPEI ZC UNI 5933	4,00			--
0077		LAFN00094		SPACER CUSCINETTO 6008	1,00			--
0078		VTAE00005		CIRCLIP D. 40 UNI 7435	1,00			--
0079		VTVT00073		SCREW TCCE UNI 5931 12X45 ZB	2,00			--
0080		LAFN00103		SPACER FISS.MOT.IDR.RUOTA ANT.	2,00			--
0081		VTRS00506		WASHER D.12 UNI 6592	2,00			--
0082		PPBP00001		MOTOR IDRAULICO MGLR 100A 25NIT	1,00			--



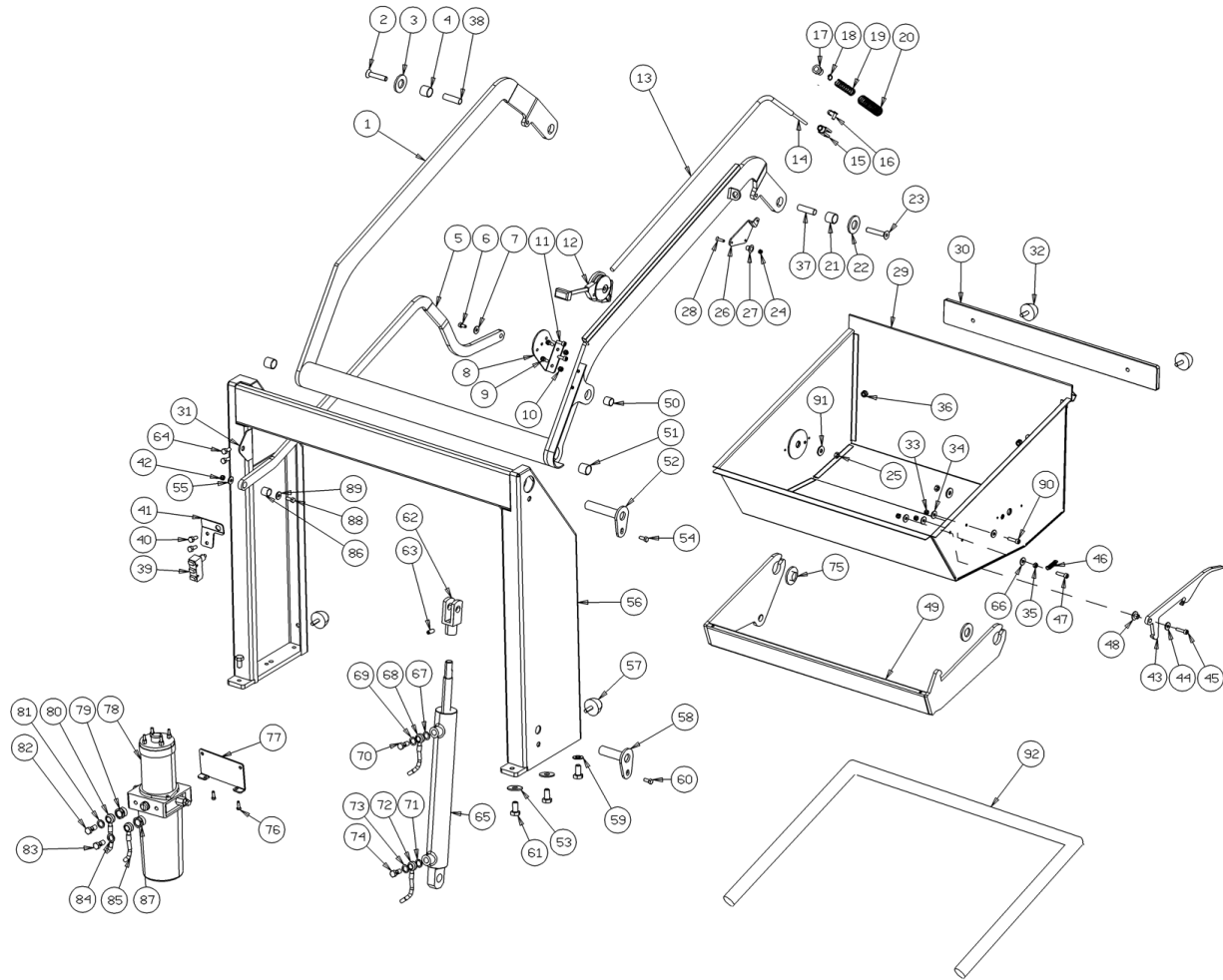
Ref.	K	Part N.	Customer Part N.	Description	Qty	Validity:		Price
						From	To	
0083		VTRS00006		WASHER RAME D.20	2,00			--
0084		VTVR00005		KEY UNI 6604 8X7X32	1,00			--
0085		LAFN01074		COLUMN MOTORE IDRAULICO TK1000S	2,00			--
0086		VTRS00548		WASHER D.17,5X23X1,5 (3/8)RM	2,00			--
0087		TBFX85523		TUBE 5/16 L.1410 25001002	1,00			--
0088		TBFX85522		TUBE 5/16 L.1510 25001001	1,00			--
0089		VTRS00548		WASHER D.17,5X23X1,5 (3/8)RM	2,00			--
0090		RCVR00040		SCREW FORATA 3/8"	2,00			--
0091		RCVR00038		SCREW FORATA 9/16" JIC	1,00			--
0092		VTRS00003		WASHER RAME D.14	4,00			--
0093		TBBP87182		L.P. HOSE 670MM	1,00			--
0094		VTRS00006		WASHER RAME D.20	2,00			--
0095		TBFX85523		TUBE 5/16 L.1410 25001002	1,00			--
0096		TBFX85522		TUBE 5/16 L.1510 25001001	1,00			--
0097		RCVR00039		SCREW FORATA 3/4" JIC	2,00			--
0098		VTRS00004		WASHER ACCIAIO 7/16 JIC	1,00			--
0099		RCVR00057		CONNECTOR ASPIRAZIONE OLIO ZINC.	1,00			--
0100		TBBP87182		L.P. HOSE 670MM	1,00			--
0101		RCVR00041		SCREW FORATA M14X1,5	1,00			--
0102		CUVR00008		BEARING 6003 2RS	2,00		07/2016	--
0102		CUVR00104		BEARING SKF 6003- 2RSH	2,00	07/2016		--
0103		VTDD00124		NUT M 8 BASSO	10,00			--
0104		LAFN85380		HUB SW 1000E/S 22501005	2,00			--
0105		KTRI75744		REAR WHEELS TK1000	2,00			--
0106		CUVR00008		BEARING 6003 2RS	2,00		07/2016	--
0106		CUVR00104		BEARING SKF 6003- 2RSH	2,00	07/2016		--
0107		LAFN85290		HUB SW 1000 22501004	2,00			--
0108		VTVT00066		SCREW TCCE UNI 5931 8X25 ZB	10,00			--
0109		VTVT01110		SCREW TE 8X16 UNI5739	2,00			--
0110		VTRS00512		WASHER D. 8 X24 ZC.	2,00			--
0111		PMTR00021		SHAFT STERZO 1000 T.NUOVO COMPL	1,00			--
0112		LAFN00275		SPACER INTERNO RUOTA POST.TK1300	2,00			--
0113		VTRS01080		WASHER D. 8 GRW	2,00			--



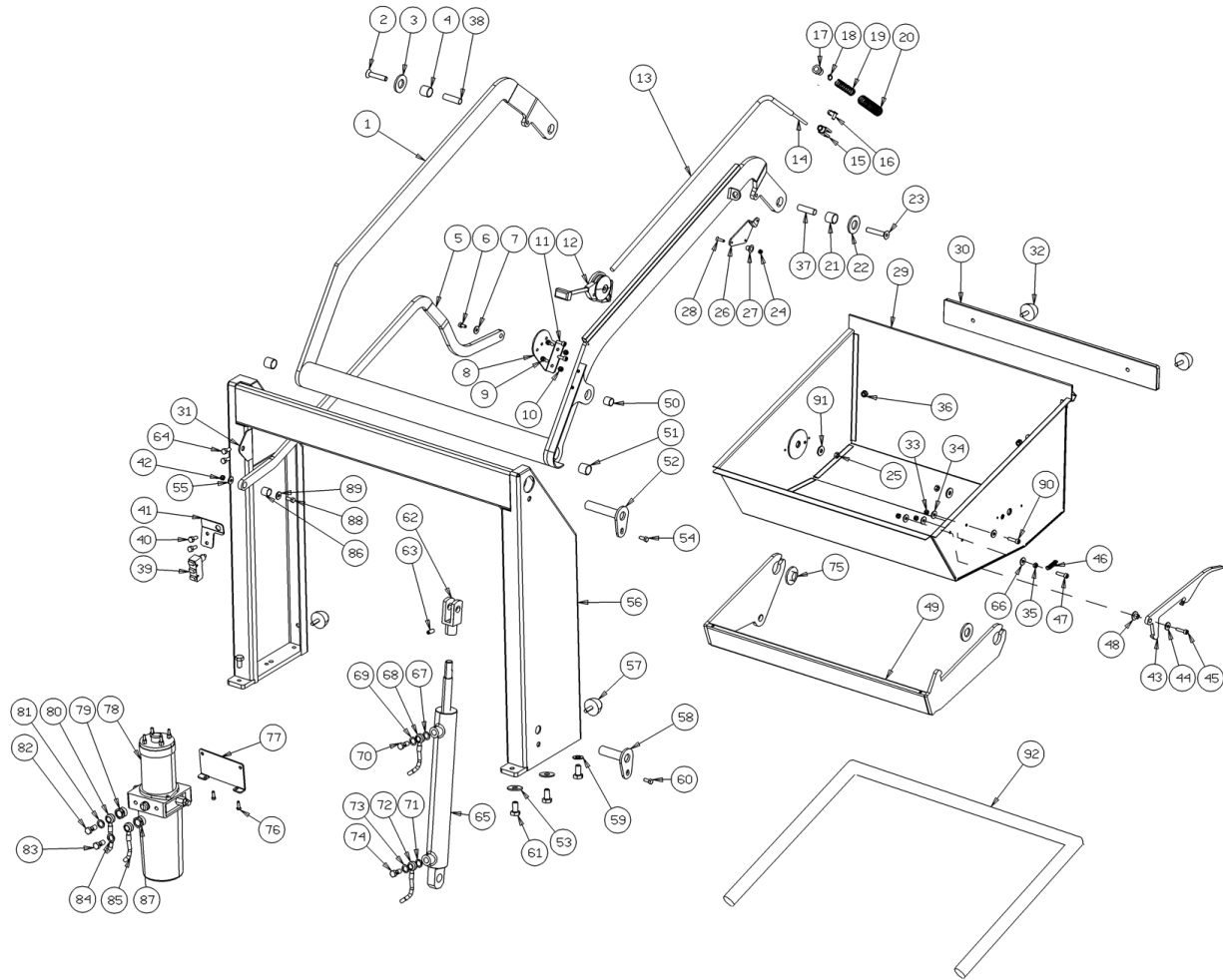
Ref.	K	Part N.	Customer Part N.	Description	Qty	Validity:		Price
						From	To	
0001		VTVT00447		SCREW TE 8X25 UNI5739	2,00			--
0002		VTDD00483		NUT M 8 ZIN UNI 5588	4,00			--
0003		LAFN08903		BRACKET -	2,00			--
0004		FTDP00214		FILTER -	1,00			--
0005		LAFN08921		PLATE -	1,00			--
0006		VTDD00042		NUT AUT.M10 UNI7474	2,00			--
0007		VTRS00505		WASHER D.10 TE UNI 6592	2,00			--
0008		LAFN08917		BRACKET -	1,00			--
0009		VTRS00503		WASHER D. 6 TE UNI 6798	2,00			--
0010		VTDD00491		NUT M 6 TEF	2,00			--
0011		ABGO00013		VIBRATION DAMP.25x25 M6x25	2,00			--
0012		VTVT00427		SCREW TSPEI 8X35 UNI5933 INX	4,00			--
0013		MOC00404		MOTOR	1,00			--
0014		LAFN06718		BRACKET -	1,00			--
0015		VTRS00505		WASHER D.10 TE UNI 6592	2,00			--
0016		VTVT00458		SCREW TE M 10X35 ZINC. UNI 5739	2,00			--
0017		MPVR45096		RUBBER V 1201 GR.	1,00			--
0018		LAFN76008		PEDALE FLAP TK1000	1,00			--
0019		VTVR00028		CLAMP PER CASSETTO G1300	1,00			--
0020		VTAE14016		CIRCLIP D. 12 UNI 7435	1,00			--
0021		VTRS00506		WASHER D.12 UNI 6592	1,00			--
0022		LAFN75973		PIN FLAP TK	1,00			--
0023		VTDD01682		NUT M12 ZC UNI 5588	1,00			--
0024		VTRS00505		WASHER D.10 TE UNI 6592	1,00			--
0025		LAFN75975		PIN TK	1,00			--
0026		CMCV75723		REGISTER D.7	1,00			--
0027		CMCV75905		SHEATH X CABLE	1,00			--
0028		LAFN75976		SPRING GUIDE TK 1000	1,00			--
0029		VTRS00506		WASHER D.12 UNI 6592	1,00			--
0030		VTDD00012		NUT AUTOBLOK DIN 985 M12 ZB	1,00			--
0031		MLML75962		SPRING	1,00			--
0032		CMCV45110		CORD D. 2.5 FLAP L.14	1,00			--
0033		VTDD00482		NUT M 6 ZIN UNI 5588	1,00			--
0034		CMCV75717		CLIP UNI 1676 M6	1,00			--
0035		MPVR75936		RUBBER FLAP DX/SX TK1000	1,00			--
0036		LAFN00305		CLAMP FLAP DX/SX TK1000 NERO	1,00			--
0037		MPVR75935		RUBBER FLAP TK1000	1,00			--
0038		LAFN86529		CLAMP FLAP	1,00			--
0039		VTRS00503		WASHER D. 6 TE UNI 6798	8,00			--



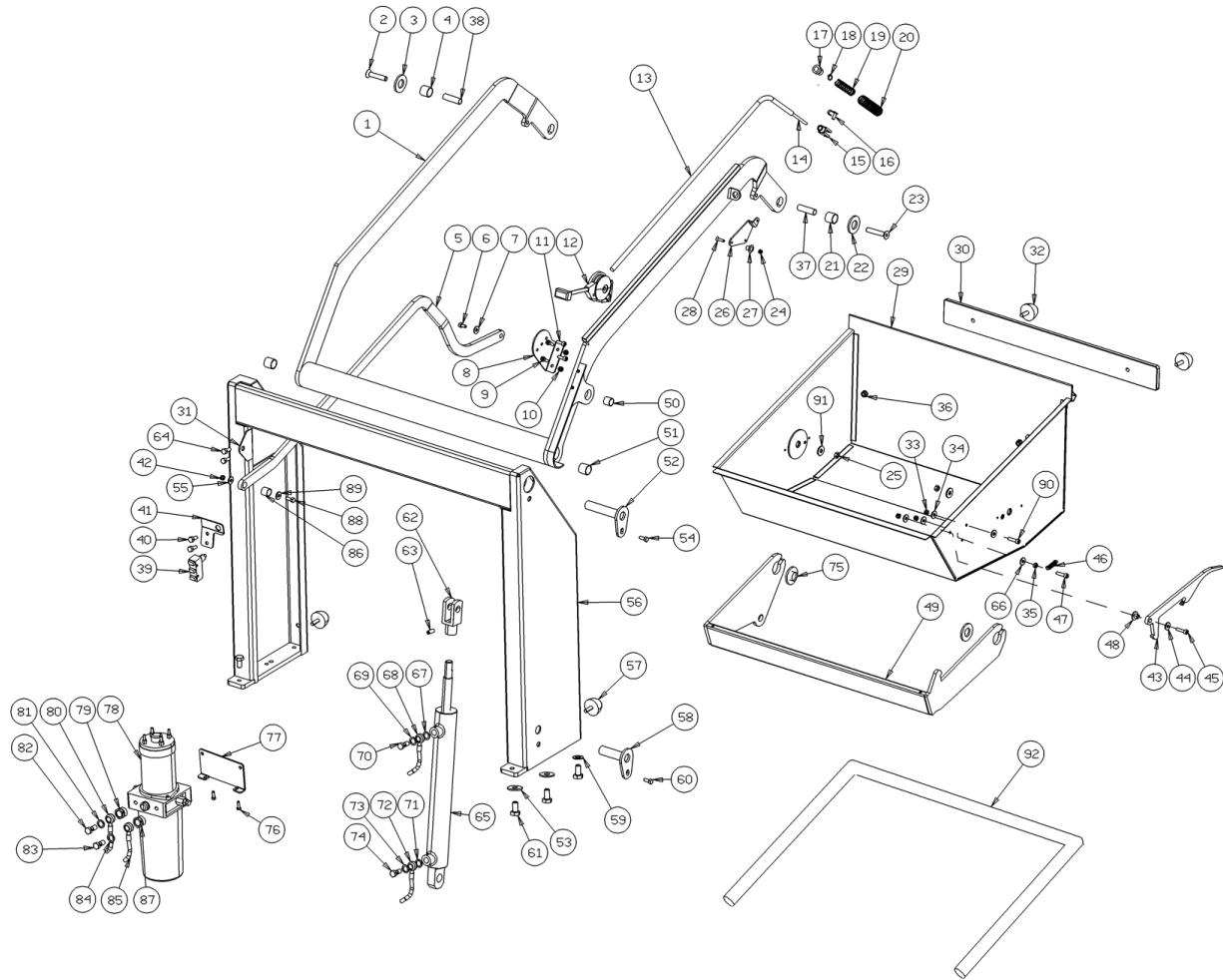
Ref.	K	Part N.	Customer Part N.	Description	Qty	Validity:		Price
						From	To	
0040		VTDD00491		NUT M 6 TEF	8,00			--
0041		VTVT75721		SCREW TTDE UNI 5732 6 X 16 ZB	8,00			--
0042		MPVR75936		RUBBER FLAP DX/SX TK1000	1,00			--
0043		LAFN00305		CLAMP FLAP DX/SX TK1000 NERO	1,00			--
0044		VTVT75721		SCREW TTDE UNI 5732 6 X 16 ZB	4,00			--
0045		VTRS00503		WASHER D. 6 TE UNI 6798	4,00			--
0046		VTDD00491		NUT M 6 TEF	4,00			--
0047		MPVR75934		RUBBER FLAP TK1000	1,00			--
0048		VTVT75721		SCREW TTDE UNI 5732 6 X 16 ZB	5,00			--
0049		VTDD00491		NUT M 6 TEF	5,00			--
0050		VTRS00503		WASHER D. 6 TE UNI 6798	5,00			--
0051		KTRI01997		KIT -	1,00			--
0052		LAFN36060		WASHER INOX Ø15,3X35 SP2	1,00			--
0053		VTVT62920		SCREW TE F/ROND. M 6X 16 ZB	4,00			--
0054		KTRI01998		KIT -	1,00			--



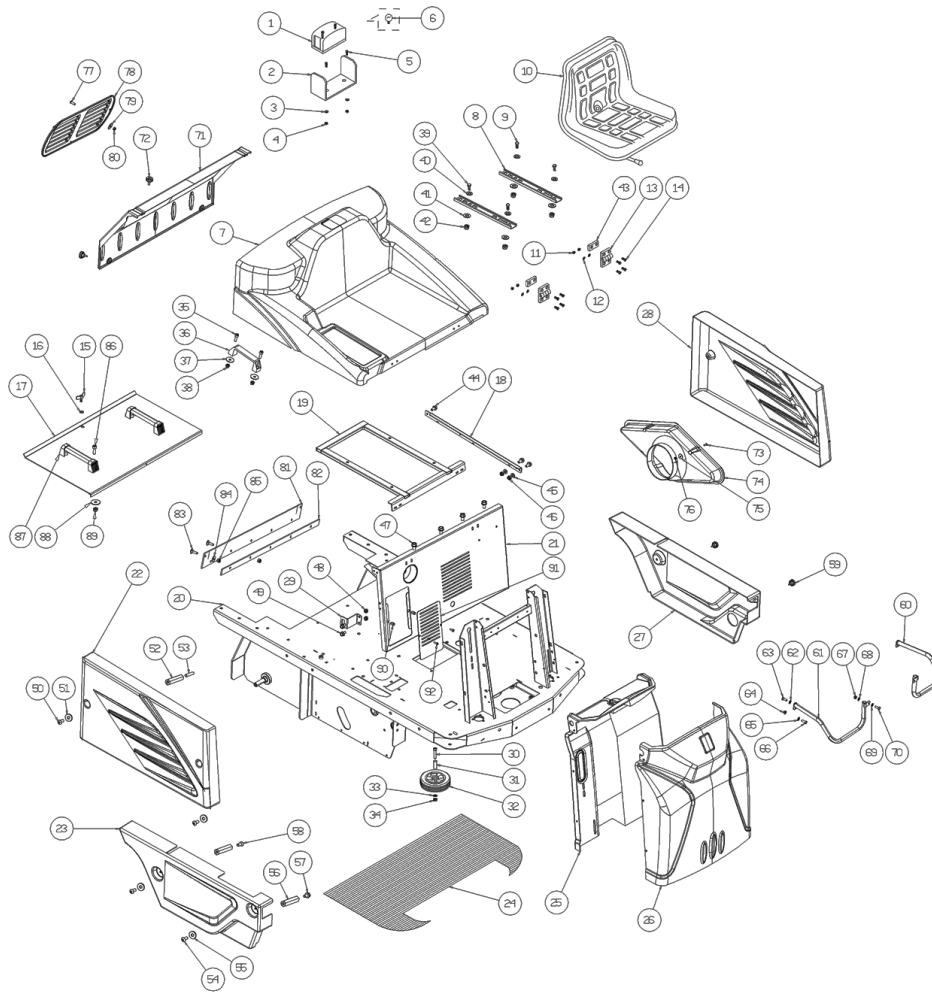
Ref.	K	Part N.	Customer Part N.	Description	Qty	Validity:		Price
						From	To	
0001		LAFN08188		ARM -	1,00			--
0002		VTVT01577		SCREW M 8x40 TSPEI ZINC.	1,00			--
0003		VTRS00506		WASHER D.12 UNI 6592	1,00			--
0004		MPVR00010		BUSHING GLYCODUR GLY.PG 20-23-10F	1,00			--
0005		LAFN00778		ARM PARALLELLOG.DX/SX 1300 ZN	1,00			--
0006		VTVT00678		SCREW	1,00			--
0007		VTRS00505		WASHER D.10 TE UNI 6592	1,00			--
0008		LAFN00243		COUPLING CAVO SGAN.CASSETTO 1300	1,00			--
0009		VTVT62920		SCREW TE F/ROND. M 6X 16 ZB	2,00			--
0010		VTDD00491		NUT M 6 TEF	2,00			--
0011		VTVT00061		SCREW TSCE UNI 5933 6X20 ZB	2,00			--
0012		CMCV00040		LEVER SGANCIO CASSETTO G1300	1,00			--
0013		CMCV00039		SHEATH CASSETTO G1300	1,00			--
0013		CMCV00452		SHEATH -	1,00	01/2016	01/2016	--
0014		CMCV00038		CABLE CASSETTO G1300	1,00			--
0015		CMCV00006		FORK UNI 1676 M6X24	1,00			--
0016		CMCV00009		CLIP UNI 1676	1,00			--
0017		LAFN00854		CLAMP GUAINA SOLLEV.CASS.G1300	1,00			--
0018		VTAE17003		CIRCLIP D. 15 UNI 7435	1,00			--
0019		MLML75964		SPRING D. 11,3 X100 X1,5 TK	1,00			--
0020		MPVR00071		PROTECTOR X CASSETTO G1300	1,00			--
0021		MPVR00010		BUSHING GLYCODUR GLY.PG 20-23-10F	1,00			--
0022		VTRS00506		WASHER D.12 UNI 6592	1,00			--
0023		VTVT01577		SCREW M 8x40 TSPEI ZINC.	1,00			--
0024		VTDD08171		NUT M 5 TEF	1,00			--
0025		VTDD00124		NUT M 8 BASSO	2,00			--
0026		LAFN00499		PIN SGANCIO RIBALT.CASS.COMPL	1,00			--
0027		LAFN00131		BUSHING X LEVA ATT.CAVO SGAN.CASS	1,00			--
0028		VTVT00075		SCREW TSCE UNI 5933 5X20 ZB	1,00			--
0029		LAFN08192		DRAWER -	1,00			--
0030		LAFN08199		WEIGHT -	1,00			--
0031		LAFN08219		ARM -	1,00			--
0032		ABGO00041		VIBRATION DAMP.	2,00			--
0033		VTDD00491		NUT M 6 TEF	3,00			--
0034		VTRS04026		WASHER D. 6X18X2.38	3,00			--
0035		VTDD00482		NUT M 6 ZIN UNI 5588	1,00			--
0036		VTDD00124		NUT M 8 BASSO	2,00			--
0037		LAFN00494		PIN ROTAZIONE CASSETTO TK1300	1,00			--
0038		LAFN00494		PIN ROTAZIONE CASSETTO TK1300	1,00			--



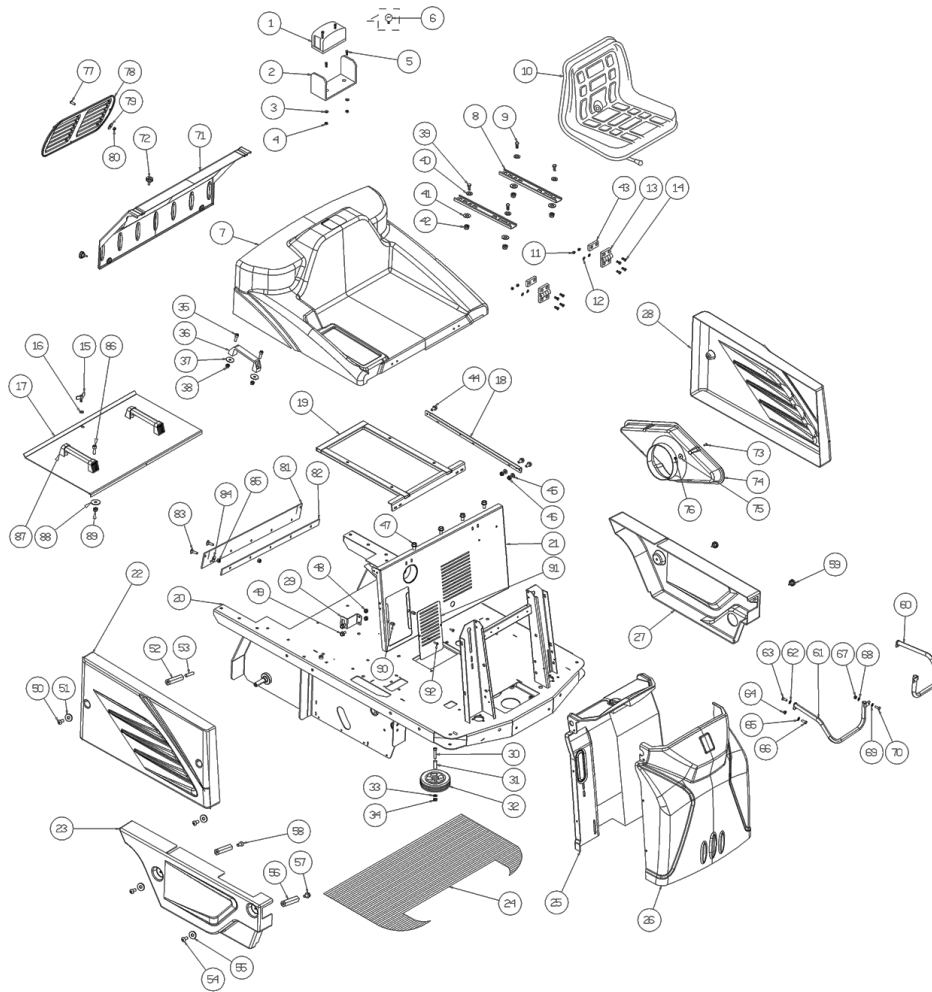
Ref.	K	Part N.	Customer Part N.	Description	Qty	Validity:		Price
						From	To	
0039		MECI75801		MICROSWITCH TK	1,00			--
0040		VTVT00527		SCREW TE FR 6X10 ZB ZIG.	2,00			--
0041		LAFN08206		BRACKET -	1,00			--
0042		VTDD00124		NUT M 8 BASSO	1,00			--
0043		LAFN41006		LEVER SGANCIO	1,00			--
0044		VTRS04026		WASHER D. 6X18X2.38	1,00			--
0045		VTVT12255		SCREW TCEI 6X25 UNI5931	1,00			--
0046		MLML45109		SPRING TR D. 12X1.7X79.5	1,00			--
0047		VTVT06237		SCREW TCEI 6X20 UNI5931	1,00			--
0048		LAFN00132		BUSHING X LEVA SGANCIO CASSETTO	1,00			--
0049		LAFN08189		SUPPORT -	1,00			--
0050		MPVR00009		BUSHING GLYCODUR GLY.PG 16-18-15F	1,00			--
0051		MPVR00008		BUSHING GLYCODUR GLY.PG 20-23-20F	2,00			--
0052		LAFN00489		PIN X BRACCIO CASSETTO TK1300	2,00			--
0053		VTRS00514		WASHER D.10X30X11.4	4,00			--
0054		VTVT63129		SCREW TE F/ROND. M 8X16 ZB	2,00			--
0055		VTRS00512		WASHER D. 8 X24 ZC.	1,00			--
0056		LAFN08187		BLOCK -	1,00			--
0057		ABGO00041		VIBRATION DAMP.	2,00			--
0058		LAFN00488		PIN INFERIORE CILIND.TK1300	1,00			--
0059		VTRS00505		WASHER D.10 TE UNI 6592	2,00			--
0060		VTVT63129		SCREW TE F/ROND. M 8X16 ZB	1,00			--
0061		VTVT00455		SCREW TE 10X20 UNI5739	6,00			--
0062		CMCV00004		FORK UNI 1676 M16X1,5 + PERNO	1,00			--
0063		VTVT75731		SCREW UNI 5923 6 X5	1,00			--
0064		VTVT62920		SCREW TE F/ROND. M 6X 16 ZB	2,00			--
0065		PIID00001		PISTON SOLLEV.CASS.POST.TK1300	1,00			--
0066		VTRS04026		WASHER D. 6X18X2.38	1,00			--
0067		VTRS00037		WASHER IN DAWTY 1/8	1,00			--
0068		TBAP00002		TUBE 3/16" RITORNO TK1300	1,00			--
0069		VTRS00037		WASHER IN DAWTY 1/8	1,00			--
0070		RCDS47107		SCREW G 1/8	1,00			--
0071		VTRS00037		WASHER IN DAWTY 1/8	1,00			--
0072		TBAP00001		TUBE 3/16 MANDATA TK1300	1,00			--
0073		VTRS00037		WASHER IN DAWTY 1/8	1,00			--
0074		RCDS47107		SCREW G 1/8	1,00			--
0075		LAFN41002		BUSHING	2,00			--
0076		VTVT00005		SCREW TE FR 5X12 ZB	2,00			--
0077		LAFN47126		SUPPORT BRACKETL.14	1,00			--



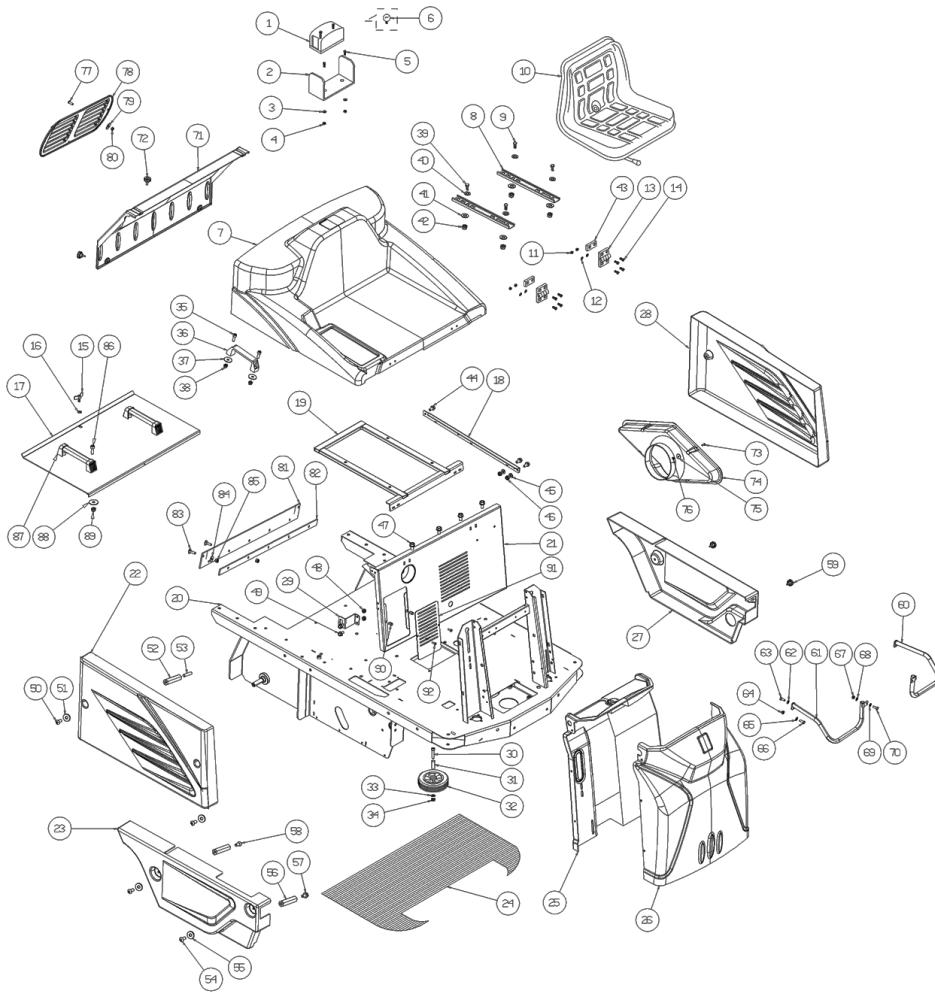
Ref.	K	Part N.	Customer Part N.	Description	Qty	Validity:		Price
						From	To	
0078		PPEL00026		PUMP 12V	1,00			--
0079		RCVR00081		REDUCTION X CENTRALINA IDRAUL.1400	1,00			--
0080		TBAP00001		TUBE 3/16 MANDATA TK1300	1,00			--
0081		VTRS00037		WASHER IN DAWTY 1/8	1,00			--
0082		RCDS47107		SCREW G 1/8	1,00			--
0083		RCDS47107		SCREW G 1/8	1,00			--
0084		VTRS00037		WASHER IN DAWTY 1/8	1,00			--
0085		TBAP00002		TUBE 3/16" RITORNO TK1300	1,00			--
0086		LAFN00500		PIN X BRACCIO PARALELLOG.1300	1,00			--
0087		RCVR00081		REDUCTION X CENTRALINA IDRAUL.1400	1,00			--
0088		VTVT00447		SCREW TE 8X25 UNI5739	1,00			--
0089		VTRS00512		WASHER D. 8 X24 ZC.	1,00			--
0090		VTVT09913		SCREW TCEI 6X16 UNI5931	1,00			--
0091		VTRS00512		WASHER D. 8 X24 ZC.	2,00			--
0092		GUVR00010		GASKET	1,80			--



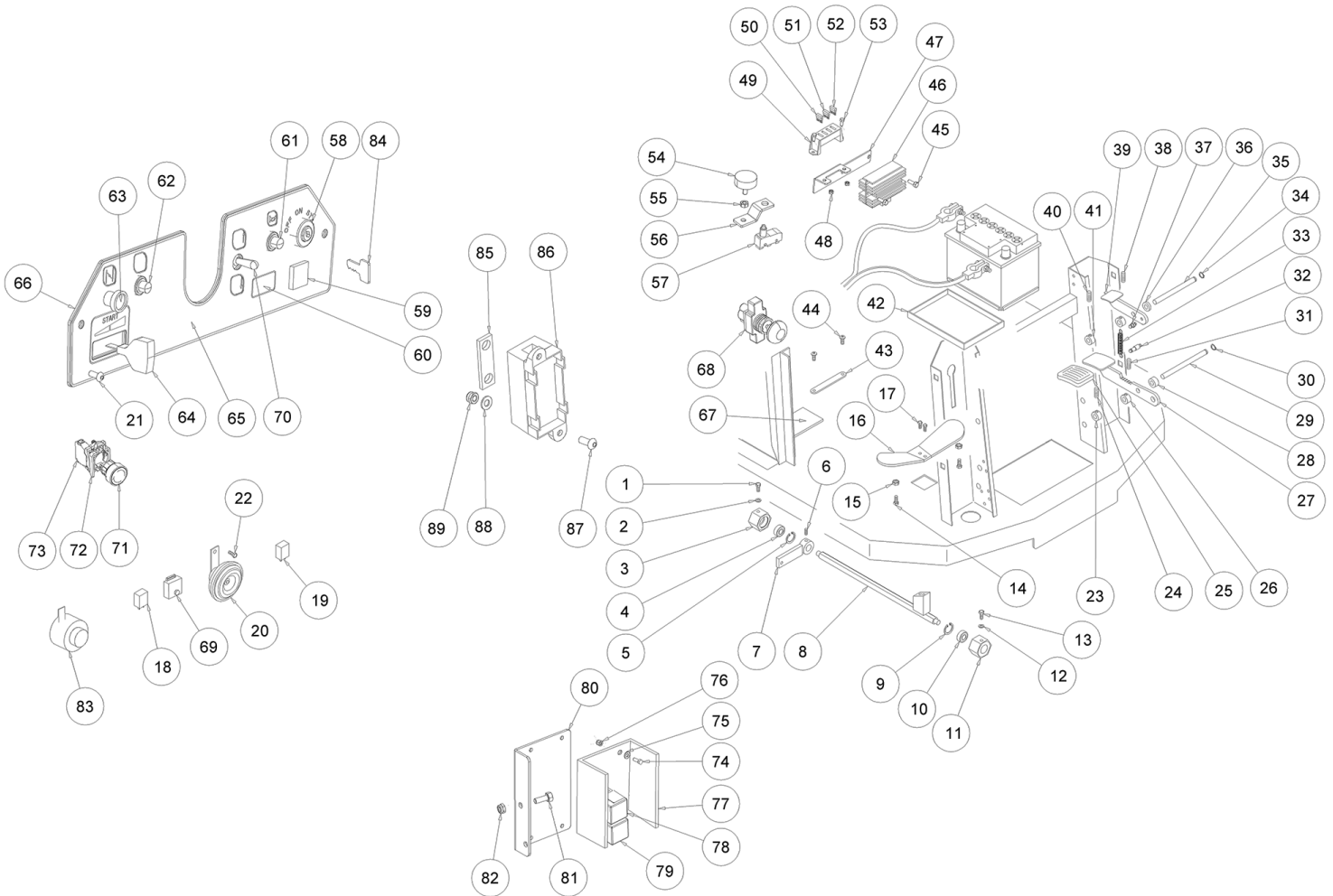
Ref.	K	Part N.	Customer Part N.	Description	Qty	Validity:		Price
						From	To	
0001		KTRI00103		LAMP FLASH 24V ORANGE	1,00			--
0002		KTRI00103		LAMP FLASH 24V ORANGE	1,00			--
0003		VTRS15958		WASHER D. 5 X15 UNI 6593	2,00			--
0004		VTDD08171		NUT M 5 TEF	2,00			--
0005		VTVT45339		SCREW TBEI M 5X 16 ISO 7380 ZB	2,00			--
0006		MEVR00009		LAMP 12V/5W	1,00			--
0007		MPVR06088		HOOD -	1,00			--
0008		SESD45981		SEAT SC 73 L.14	1,00			--
0009		VTVT00017		SCREW TE UNI 5739 8X35 ZB	4,00			--
0010		SESD45981		SEAT SC 73 L.14	1,00			--
0011		VTDD00491		NUT M 6 TEF	4,00			--
0012		VTRS00503		WASHER D. 6 TE UNI 6798	4,00			--
0013		CEVR85332		HINGE MEB F D.6 TK	2,00			--
0014		VTVT06237		SCREW TCEI 6X20 UNI5931	4,00			--
0015		VTVR00044		WING NUT D.30 M6X20	1,00			--
0016		VTRS63242		WASHER D. 6 X24 ZC	1,00			--
0017		LAFN85308		COVER SW 1000 21201003	1,00			--
0018		LAFN08190		SHEET METAL PA.-	1,00			--
0019		LAFN08178		SUPPORT -	1,00			--
0020		LAFN36061		FRAME 1250-1280	1,00			--
0021		LAFN08155		PANEL -	1,00	05/2015		--
0021		LAFN08174		PANEL TK1000	1,00		05/2015	--
0022		MPVR06092		BODY SIDE -	1,00			--
0023		MPVR06096		CRANKCASE -	1,00			--
0024		MPVR00763		PLANE MILLERIGHE 1000S CON BIAD	1,00			--
0025		MPVR06094		SIDE PANEL -	1,00			--
0026		MPVR06093		SIDE PANEL -	1,00			--
0027		MPVR06095		CRANKCASE -	1,00			--
0028		MPVR06126		CONVEYOR SX	1,00			--
0029		LAFN08210		BRACKET -	2,00			--
0030		VTVT28307		SCREW TCCE UNI 5931 10X70 ZN	2,00			--
0031		LAFN47011		BUSHING L.14	2,00			--
0032		RTRT00013		WHEEL GOMMA D.125	2,00			--
0033		VTRS00505		WASHER D.10 TE UNI 6592	2,00			--
0034		VTDD00042		NUT AUT.M10 UNI7474	2,00			--
0035		VTVT00066		SCREW TCCE UNI 5931 8X25 ZB	4,00			--
0036		MPVR00411		HANDLE TRG	2,00			--
0037		VTRS00513		WASHER D. 8 X32 P.	4,00			--
0038		VTDD00124		NUT M 8 BASSO	4,00			--



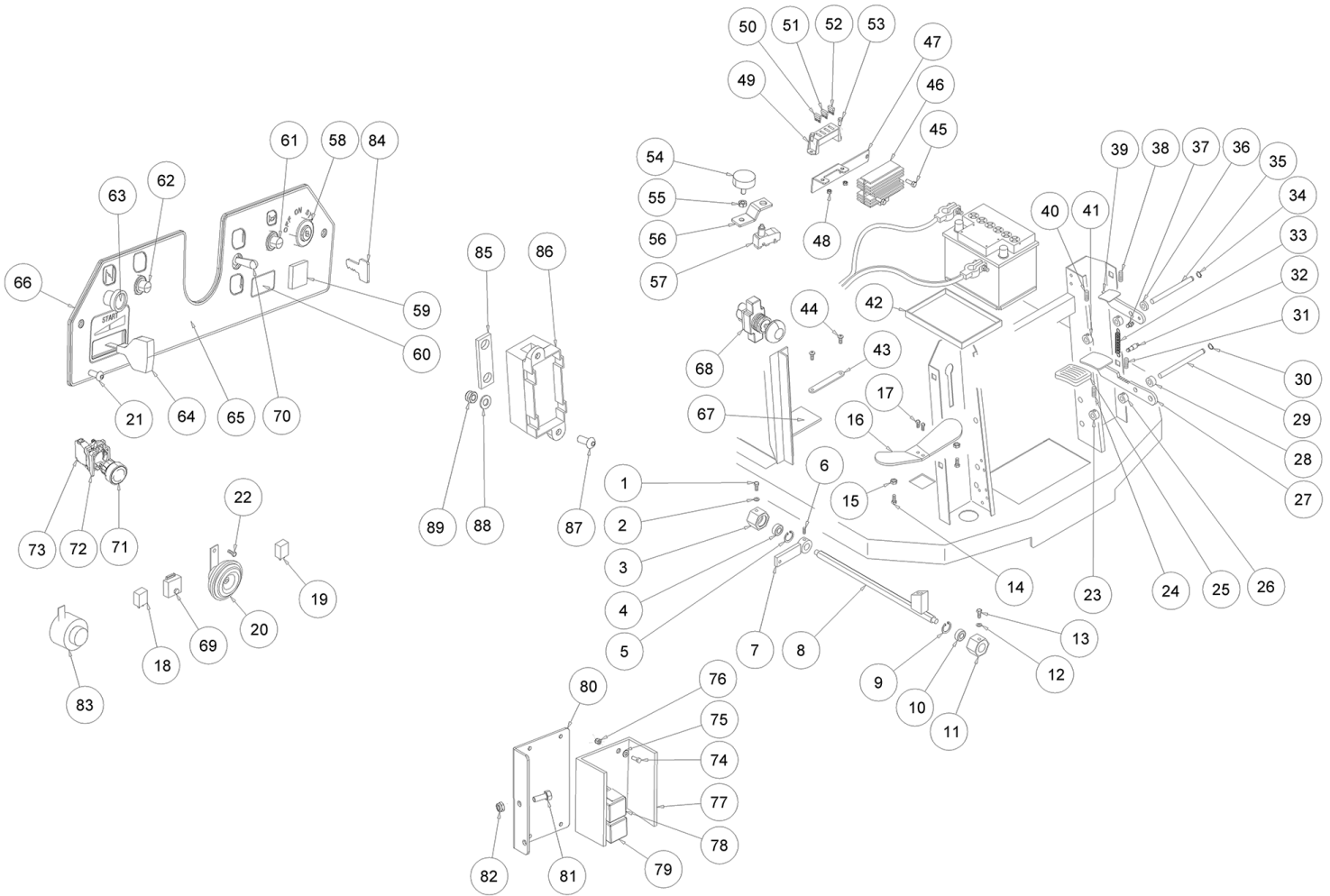
Ref. K	Part N.	Customer Part N.	Description	Qty	Validity:		Price
					From	To	
0039	VTVT00017		SCREW TE UNI 5739 8X35 ZB	4,00			--
0040	VTRS00504		WASHER D. 8 TE ZC. UNI 6592	2,00			--
0041	VTRS00512		WASHER D. 8 X24 ZC.	4,00			--
0042	VTDD00124		NUT M 8 BASSO	4,00			--
0043	LAFN07909		BRACKET -	2,00			--
0044	VTVT62920		SCREW TE F/ROND. M 6X 16 ZB	3,00			--
0045	VTRS00503		WASHER D. 6 TE UNI 6798	2,00			--
0046	VTDD00491		NUT M 6 TEF	2,00			--
0047	VTVT62920		SCREW TE F/ROND. M 6X 16 ZB	4,00			--
0048	VTDD00491		NUT M 6 TEF	4,00			--
0049	VTVT62920		SCREW TE F/ROND. M 6X 16 ZB	4,00			--
0050	VTVT75726		SCREW TBEI M 6X 16 ISO 7380 ZB	4,00			--
0051	VTRS04026		WASHER D. 6X18X2.38	4,00			--
0052	LAFN08211		SPACER -	4,00			--
0053	VTVT00900		GRUB SCREW M 6-30 CON ES	2,00			--
0054	VTVT75726		SCREW TBEI M 6X 16 ISO 7380 ZB	2,00			--
0055	VTRS04026		WASHER D. 6X18X2.38	2,00			--
0056	LAFN08211		SPACER -	2,00			--
0057	VTVT00527		SCREW TE FR 6X10 ZB ZIG.	2,00			--
0058	VTVT13515		SCREW TSPEI M6x16 UNI5933 10.9	2,00			--
0059	RTRT00022		HANDWHEEL D.30 M6X15	2,00			--
0060	LAFN08200		BUMPER -	1,00			--
0061	LAFN08201		BUMPER -	1,00			--
0062	VTRS00504		WASHER D. 8 TE ZC. UNI 6592	2,00			--
0063	VTVT00446		SCREW TE 8X20 UNI5739	2,00			--
0064	VTDD00124		NUT M 8 BASSO	2,00			--
0065	VTRS00504		WASHER D. 8 TE ZC. UNI 6592	2,00			--
0066	VTVT00446		SCREW TE 8X20 UNI5739	1,00			--
0067	VTDD00124		NUT M 8 BASSO	2,00			--
0068	VTRS00504		WASHER D. 8 TE ZC. UNI 6592	2,00			--
0069	VTRS00504		WASHER D. 8 TE ZC. UNI 6592	2,00			--
0070	VTVT00446		SCREW TE 8X20 UNI5739	2,00			--
0071	MPVR06097		COVERING -	1,00		09/2014	--
0071	MPVR06417		COVERING -	1,00	09/2014		--
0072	RTRT00022		HANDWHEEL D.30 M6X15	4,00			--
0073	VTVT75726		SCREW TBEI M 6X 16 ISO 7380 ZB	4,00	09/2014		--
0074	MPVR06410		CONVEYOR -	1,00	09/2014		--
0075	VTRS04026		WASHER D. 6X18X2.38	4,00	09/2014		--
0076	VTDD00491		NUT M 6 TEF	4,00	09/2014		--



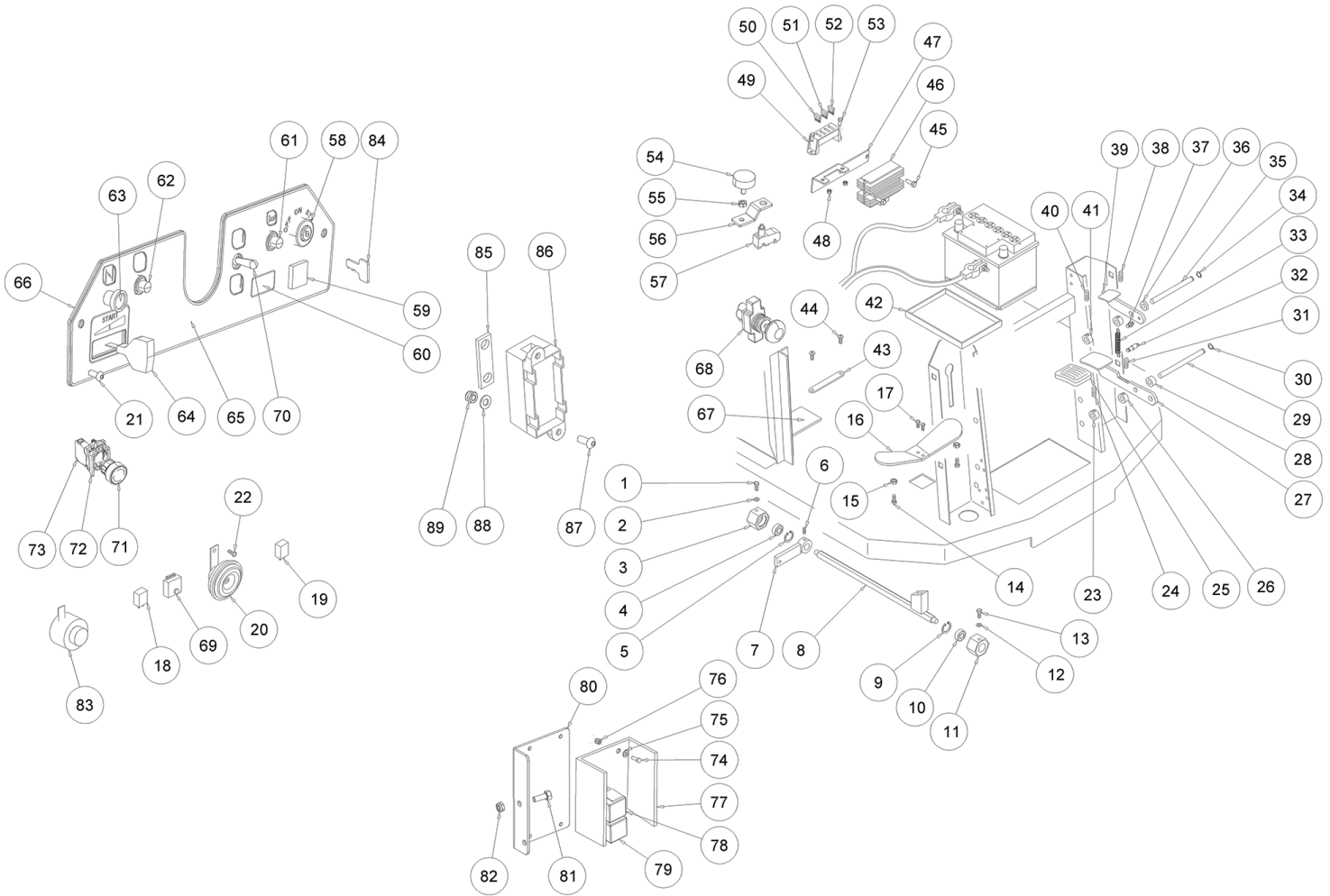
Ref.	K	Part N.	Customer Part N.	Description	Qty	Validity:		Price
						From	To	
0077		VTVT75726		SCREW TBEI M 6X 16 ISO 7380 ZB	4,00	09/2014	--	--
0078		MPVR04916		BRACKET COPERCHIO ASPIRATORI	1,00	09/2014	--	--
0079		VTRS04026		WASHER D. 6X18X2.38	4,00	09/2014	--	--
0080		VTDD00491		NUT M 6 TEF	4,00	09/2014	--	--
0081		MPVR06431		FLAP -	1,00	10/2014	--	--
0082		LAFN86529		CLAMP FLAP	1,00	10/2014	--	--
0083		VTVT75721		SCREW TTDE UNI 5732 6 X 16 ZB	7,00	10/2014	--	--
0084		VTRS04026		WASHER D. 6X18X2.38	2,00	10/2014	--	--
0085		VTDD00491		NUT M 6 TEF	7,00	10/2014	--	--
0086		VTVT00066		SCREW TCCE UNI 5931 8X25 ZB	4,00	03/2015	--	--
0087		MPVR00411		HANDLE TRG	2,00	03/2015	--	--
0088		VTRS00513		WASHER D. 8 X32 P.	4,00	03/2015	--	--
0089		VTDD00124		NUT M 8 BASSO	4,00	03/2015	--	--
0090		VTVR00020		INSERT FILETTATO ESAGONALE M6	2,00	05/2015	--	--
0091		LAFN08232		BULKWARD	1,00	05/2015	--	--
0092		VTVT75726		SCREW TBEI M 6X 16 ISO 7380 ZB	4,00	05/2015	--	--



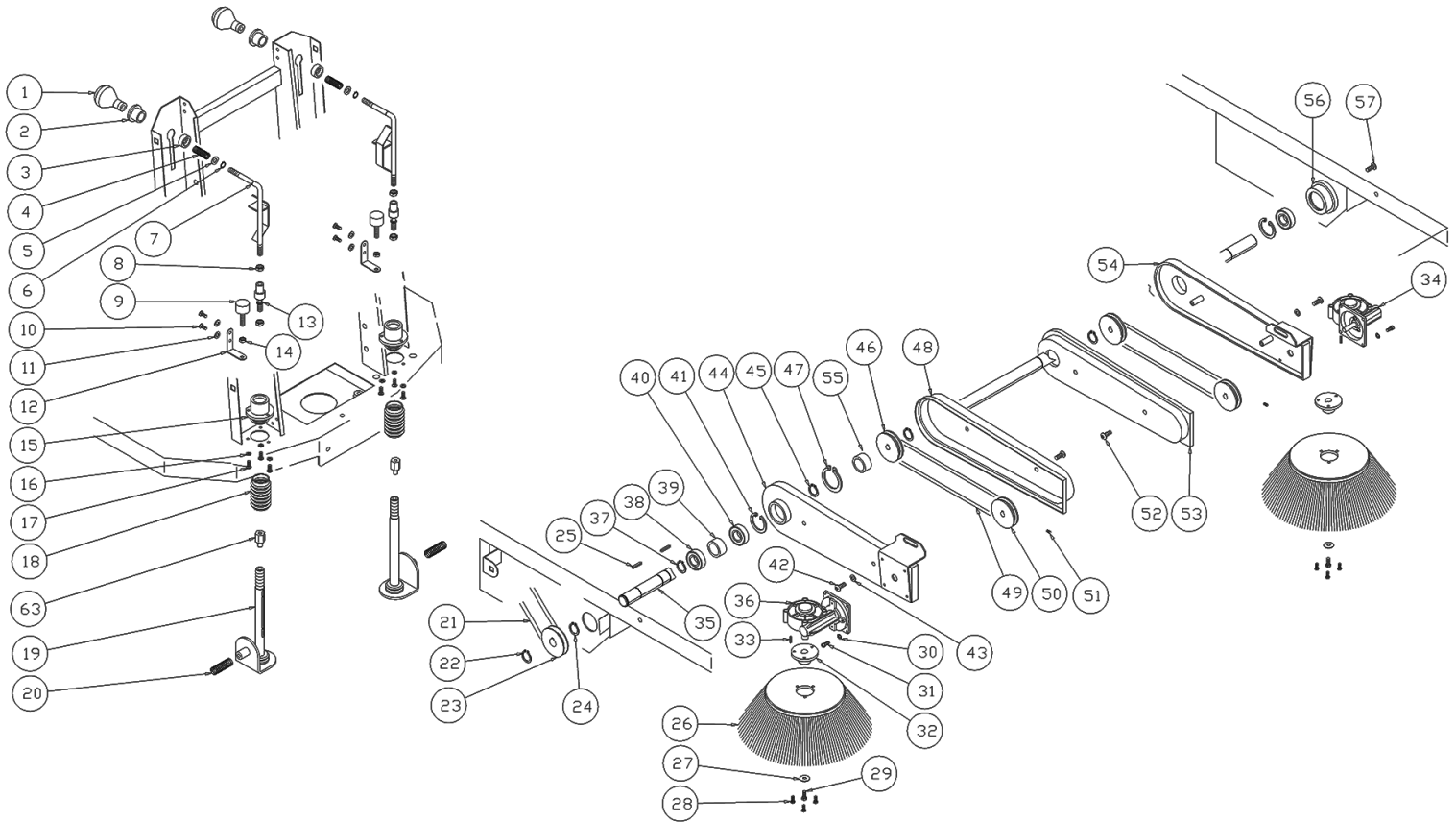
Ref.	K	Part N.	Customer Part N.	Description	Qty	Validity:		Price
						From	To	
0001		VTVT45395		SCREW TBEI M 8X 10 ISO 7380 ZB	1,00			--
0002		VTRS00504		WASHER D. 8 TE ZC. UNI 6592	1,00			--
0003		LAFN00710		SUPPORT TRASMISSIONE ACCELERATORE	1,00			--
0004		CUVR86373		BEARING 6000 2RS	1,00			--
0005		VTAE13513		CIRCLIP D. 26 UNI 7437	1,00			--
0006		VTVT00481		SCREW EI-ST 8X10 UNI5927	1,00			--
0007		LAFN00711		ARM SELEZIONE DIREZ.1000S ZN	1,00			--
0008		ALTR00020		SHAFT CON BLOCCHET.X SELE.DIREZ	1,00			--
0009		VTAE13513		CIRCLIP D. 26 UNI 7437	1,00			--
0010		CUVR86373		BEARING 6000 2RS	1,00			--
0011		LAFN00710		SUPPORT TRASMISSIONE ACCELERATORE	1,00			--
0012		VTRS00504		WASHER D. 8 TE ZC. UNI 6592	1,00			--
0013		VTVT45395		SCREW TBEI M 8X 10 ISO 7380 ZB	1,00			--
0014		VTVT00447		SCREW TE 8X25 UNI5739	2,00			--
0015		VTDD00483		NUT M 8 ZIN UNI 5588	2,00			--
0016		LAFN00707		PEDALE SELEZ.DIREZ.TK1000 VERN.	1,00			--
0017		VTVT45395		SCREW TBEI M 8X 10 ISO 7380 ZB	2,00			--
0018		MERL00012		SWITCH RELAY 12V	1,00			--
0019		MERL00012		SWITCH RELAY 12V	1,00			--
0020		MEVR33429		KLAXON K100/Y 1A 12V	1,00			--
0021		VTVT00659		SCREW TC+ M. 4-15	8,00			--
0022		VTVT85116		SCREW TE FR 6,3X19 ZIN	1,00			--
0023		LAFN47030		BUSHING L.14	1,00			--
0024		VTVT75731		SCREW UNI 5923 6 X5	1,00			--
0025		MPVR45096		RUBBER V 1201 GR.	1,00			--
0026		LAFN47030		BUSHING L.14	1,00			--
0027		LAFN00686		PEDALE FRENO TK1000 ZINCATO	1,00			--
0028		LAFN47019		BUSHING L.14	1,00			--
0029		LAFN47036		PIN BRK.+FLAP L.14	1,00			--
0030		VTAE87276		SEEGER EXT. D10 DIN471	1,00			--
0031		VTVT75731		SCREW UNI 5923 6 X5	1,00			--
0032		LAFN47035		PIN CH.10 H.26	1,00			--
0033		MLML75960		SPRING D. 8 X1 X32	1,00			--
0034		VTAE87276		SEEGER EXT. D10 DIN471	1,00			--
0035		LAFN47031		PIN L.14	1,00			--
0036		LAFN47033		BUSHING L.14	1,00			--
0037		LAFN47029		PIN CH.10 H.16	1,00			--
0038		VTVT75731		SCREW UNI 5923 6 X5	1,00			--
0039		LAFN47032		PEDALE L.14	1,00			--



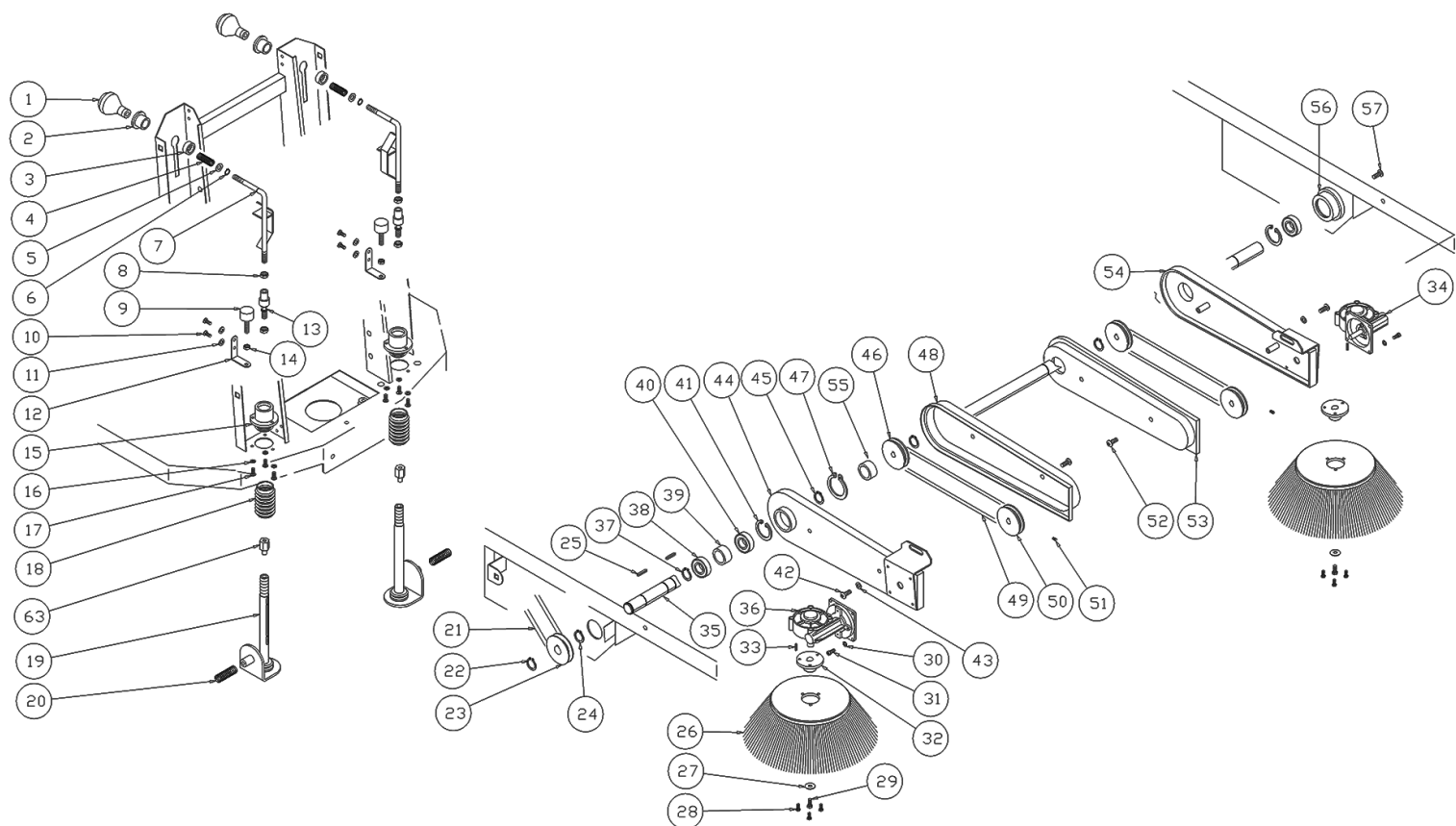
Ref.	K	Part N.	Customer Part N.	Description	Qty	Validity:		Price
						From	To	
0040		VTVT75731		SCREW UNI 5923 6 X5	1,00			--
0041		LAFN47030		BUSHING L.14	2,00			--
0042		LAFN00232		CONTAINER PORTABATT.TK1000S VERNIC.	1,00			--
0043		LAFN87142		BRACKET BILANCIERE ZINCATA	1,00			--
0044		VTVT75725		SCREW TBEI M 6X 10 ISO 7380 ZB	2,00			--
0045		VTVT00245		SCREW TE M6X30 UNI 5739	2,00			--
0046		METR87144		ADJUSTER X MOTORE HONDA GX160K1	1,00			--
0047		LAFN08183		BRACKET -	1,00			--
0048		VTDD04368		NUT M 4 ZIN UNI 5588	2,00			--
0049		MEVR00030		FUSE-HOLDER 4 VIE COPERCHIO TRAS.	1,00			--
0050		MEVR01133		FUSE 15A 32V	1,00			--
0051		MEVR01316		FUSE A LAMA 10 A. 32V	1,00			--
0052		MEVR01316		FUSE A LAMA 10 A. 32V	1,00			--
0053		VTVT00003		SCREW TE M 4X 12 ZC. UNI 5739	2,00			--
0054		ABGO00026		VIBRATION DAMP.	2,00			--
0055		VTDD10776		NUT M 8 X1 UNI 5588	4,00			--
0056		LAFN07862		BRACKET -	1,00			--
0057		MECI75801		MICROSWITCH TK	1,00			--
0058		MECI87180		SWITCH A CHIAVE	1,00			--
0059		MEVR00036		OIL WARN-LIGHT VERDE NEUTRA	1,00			--
0060		MESB00010		HOUR-COUNTER CURTIS	1,00			--
0061		MEVR85330		BUTTON -	1,00			--
0062		MEVR85330		BUTTON -	1,00			--
0063		CMCV87185		CABLE + GU. STARTER TK	1,00			--
0064		CMCV75739		ACCELERATOR TK S	1,00			--
0065		ETET01799		LABEL -	1,00			--
0066		LAFN08205		BOARD -	1,00			--
0067		MPVR00739		RUBBER PARAPOLVERE CILIND.STABIL	1,00			--
0068		MECI00571		BUTTON -	1,00			--
0069		MECE00476		BOARD 20W	1,00			--
0070		MECI00573		SELECTOR -	1,00			--
0071		MECI00523		BUTTON WHITE	1,00			--
0072		MECI00520		SMALL BASKET FIX TO FIX CONTACT	1,00			--
0073		MECI00517		CONTACT NO 3-4	1,00			--
0074		VTVT00003		SCREW TE M 4X 12 ZC. UNI 5739	2,00			--
0075		VTRS00501		WASHER D. 4 0.232 UNI 6592	2,00			--
0076		VTDD04369		NUT M 4 TEF UNI 7473	2,00			--
0077		MECE00596		BOARD 1280	1,00			--
0078		MERL00012		SWITCH RELAY 12V	1,00			--



Ref. K	Part N.	Customer Part N.	Description	Qty	Validity:		Price
					From	To	
0079	MERL00012		SWITCH RELAY 12V	1,00			--
0080	LAFN09384		SUPPORT -	1,00			--
0081	VTVT62920		SCREW TE F/ROND. M 6X 16 ZB	2,00			--
0082	VTDD00491		NUT M 6 TEF	2,00			--
0083	MEVR02013		BUZZER -	1,00			--
0084	MEVR00056		DIASASS.SPANNERQUADRO AVV.COBO TK1000S	1,00			--
0085	MEVR00145		FUSE 100A	1,00	11/2016		--
0086	MEVR00146		FUSE-HOLDER MEGA	1,00	11/2016		--
0087	VTVT75726		SCREW TBEI M 6X 16 ISO 7380 ZB	2,00	11/2016		--
0088	VTRS00503		WASHER D. 6 TE UNI 6798	2,00	11/2016		--
0089	VTDD00491		NUT M 6 TEF	2,00	11/2016		--

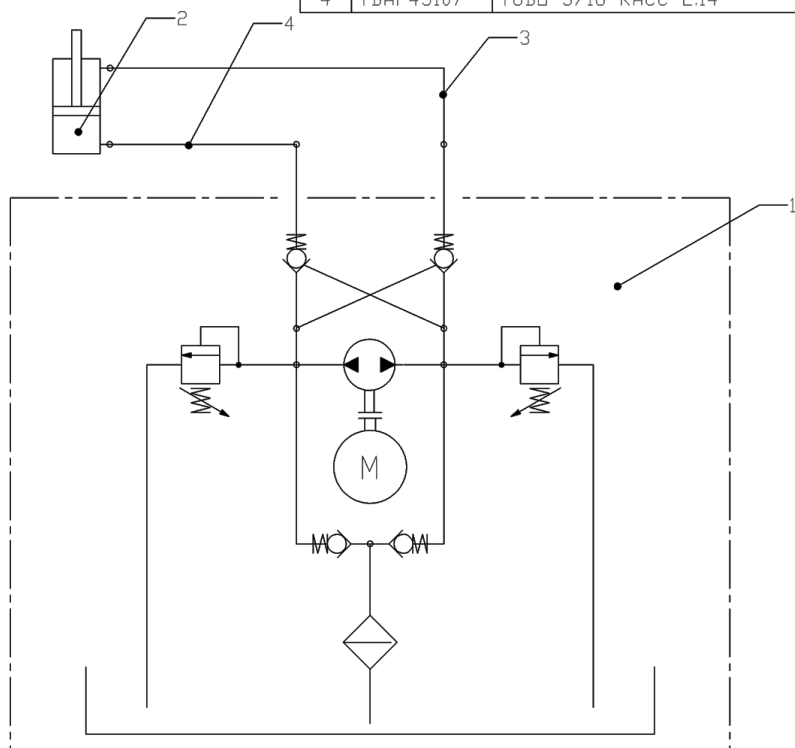


Ref.	K	Part N.	Customer Part N.	Description	Qty	Validity: From To	Price
0001		MPVR87264		KNOB ALZASPAZZ.LAT.TK1000	2,00		--
0002		MPVR47076		BUSHING L.14 EXT.	2,00		--
0003		MPVR47074		BUSHING L.14 INT.	2,00		--
0004		MLML47075		SPRING D.15X 24 X1.5	2,00		--
0005		VTRS00505		WASHER D.10 TE UNI 6592	2,00		--
0006		VTAE87276		SEEGER EXT. D10 DIN471	2,00		--
0007		LAFN00700		ARM DX ALZA SPAZ. TK1000 ZINC	2,00		--
0008		VTDD00008		NUT M10 UNI 5589 ZB	4,00		--
0009		ABGO00008		VIBRATION DAMP.PM 20X20 M6X20	2,00		--
0010		VTVT75726		SCREW TBEI M 6X 16 ISO 7380 ZB	4,00		--
0011		VTRS04026		WASHER D. 6X18X2.38	4,00		--
0012		MPVR86579		SUPPORT TK	2,00		--
0013		VTVR47072		ARTICULATION AS M10	2,00		--
0014		VTDD00482		NUT M 6 ZIN UNI 5588	2,00		--
0015		LAFN87266		FLANGE SUPP.SPAZZ.LAT.TK1000ZN	2,00		--
0016		VTRS00503		WASHER D. 6 TE UNI 6798	6,00		--
0017		VTVT75726		SCREW TBEI M 6X 16 ISO 7380 ZB	6,00		--
0018		MPVR47066		PROTECTOR L.14	2,00		--
0019		LAFN87267		ARM SUPPORT LAT.DX/SX TK1000S	2,00		--
0020		MLML75963		SPRING	2,00		--
0021		MTCG00139		BELT -	1,00		--
0022		VTAE13512		CIRCLIP D. 17 UNI 7435	1,00		--
0023		MTPL00016		PULLEY D.78 H.25	1,00		--
0024		VTAE13512		CIRCLIP D. 17 UNI 7435	1,00		--
0025		VTVR33667		KEY 5x 5x25 UNI 6604A	2,00		--
0026		SPPV00018		BRUSH LATERALE TK1300/TK1200	2,00		--
0027		VTRS63242		WASHER D. 6 X24 ZC	2,00		--
0028		VTVT62920		SCREW TE F/ROND. M 6X 16 ZB	6,00		--
0029		VTVT00527		SCREW TE FR 6X10 ZB ZIG.	2,00		--
0030		VTRS00503		WASHER D. 6 TE UNI 6798	8,00		--
0031		VTVT75726		SCREW TBEI M 6X 16 ISO 7380 ZB	8,00		--
0032		LAFN45010		FLANGE L.1400 LT.	2,00		--
0033		VTVR33667		KEY 5x 5x25 UNI 6604A	2,00		--
0034		RDGR75786		REDUCTION UNIT SX SWEEP 1000 SC	1,00		--
0035		ALTR87270		SHAFT TRAS.SX SPAZ.LAT TK1000S	1,00		--
0036		RDGR85001		REDUCTION UNIT SWEEP 1000 SC	1,00		--
0037		VTAE13512		CIRCLIP D. 17 UNI 7435	1,00		--
0038		CUVR00008		BEARING 6003 2RS	1,00		--
0039		LAFN00102		SPACER CUSCIN.MOZZO SOST.SP.LAT.	1,00		--

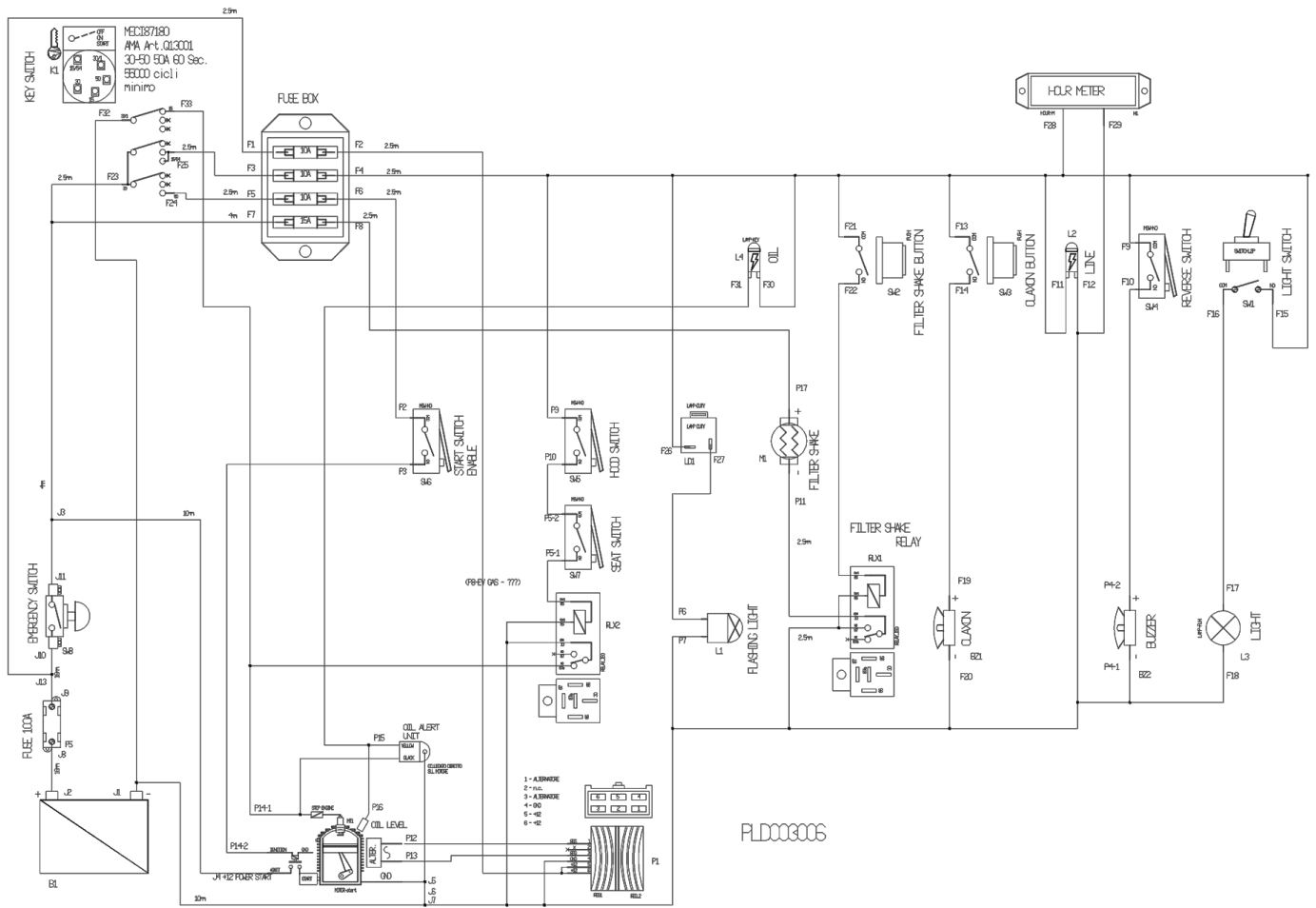


Ref. K	Part N.	Customer Part N.	Description	Qty	Validity:		Price
					From	To	
0040	CUVR00008		BEARING 6003 2RS	2,00			--
0041	VTAE17002		CIRCLIP D. 35 UNI 7437	2,00			--
0042	VTVT87271		SCREW TBEI M 8X 16 ISO 7380	2,00			--
0043	VTRS00512		WASHER D. 8 X24 ZC.	2,00			--
0044	LAFN76761		ARM DX SW1000S TK22601034	1,00			--
0045	VTAE13512		CIRCLIP D. 17 UNI 7435	1,00			--
0046	MTPL87275		PULLEY D.96 H.26	1,00			--
0047	VTAE87277		SEEGER ESTERNO DIN 471 D.45	2,00			--
0049	MTCG85309		BELT 8X 905	2,00			--
0050	MTPL87274		PULLEY D.75 H.27	2,00			--
0051	VTVT86570		GRUB SCREW M 6x10 UNI 5927	2,00			--
0052	VTVT45395		SCREW TBEI M 8X 10 ISO 7380 ZB	4,00			--
0053	MPVR87281		CRANKCASE LATERALE SX TK1000S	1,00			--
0054	LAFN87273		ARM ALZ.LAT.SX TK1000S VERN	1,00			--
0055	LAFN11094		SPACER Øe 24 Øi 17.5 L 16	1,00			--
0056	LAFN87280		HUB SOSTEGNO SX ALB.SP AZ.LAT.	1,00			--
0057	VTVT47025		SCREW TBEI M 10X 16 ISO 7380 ZB	1,00			--
0063	LAFN08217		SPACER -	2,00			--

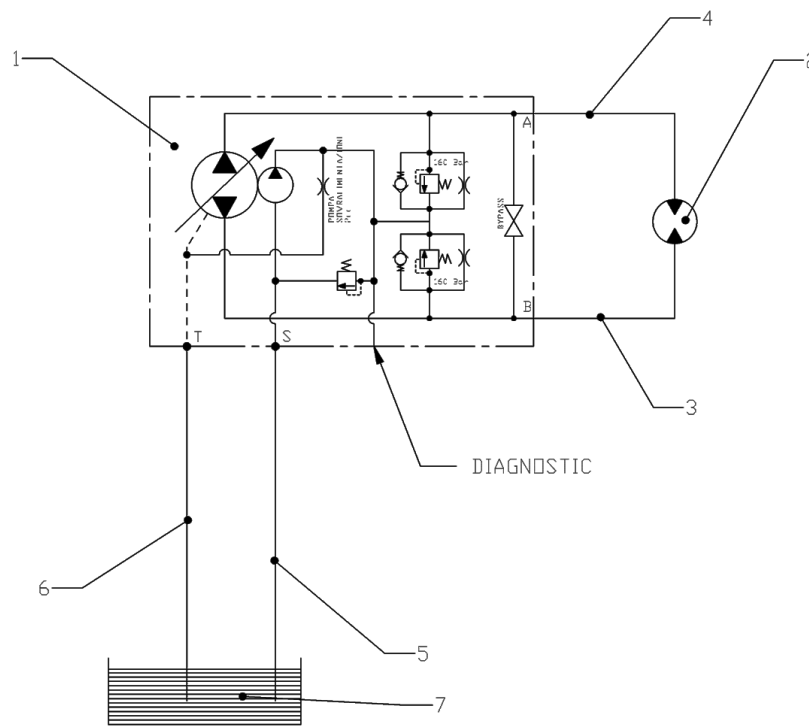
Pos	Codice	DENOMINAZIONE
1	PPEL45108	ELETTROPOMPA IDR. 24V L.14
1	PPEL00026	ELETTROPOMPA 14L 12V 350W Ø80
2	PIID45105	PISTONE IDRAULICO D.50 ST25
3	TBAP45106	TUBO 3/16 RACC L.14
4	TBAP45107	TUBO 3/16 RACC L.14



Ref.	K	Part N.	Customer Part N.	Description	Qty	Validity:		Price
						From	To	
0002		PIID00001		PISTON SOLLEV.CASS.POST.TK1300	1,00			--



Ref.	K	Part N.	Customer Part N.	Description	Qty	Validity:		Price
						From	To	
BZ1		MEVR33429		KLAXON K100/Y 1A 12V	1,00			--
BZ2		MEVR02013		BUZZER -	1,00			--
SW5		MECI75801		MICROSWITCH TK	1,00			--
SW6		MECI75801		MICROSWITCH TK	1,00			--
SW8		MECI00571		BUTTON -	1,00			--



1	PPBP00048	POMPA TRAZIONE	TRACTION PUMP
2	PPBP00001	MOTORE TRAZIONE	TRACTION MOTOR
3	TBFX85522	TUBO FLEX 5/16 L.1510	HOSE FLEX 5/16 L.1510
4	TBFX85523	TUBO FLEX 5/16 L.1410	HOSE FLEX 5/16 L.1410
5	TBBP00436	TUBO ASPIRAZIONE L=490	INLET HOSE L=490
6	TBBP87182	TUBO B.P.670 MM	LOW PRESSURE HOSE 670MM
7	MPVR00015	SERBATOIO OLIO CON FILTRO	OIL TANK WITH FILTER

Ref.	K	Part N.	Customer Part N.	Description	Qty	Validity:		Price
						From	To	
0001		PPBP00048		PUMP 10 CC	1,00			--
0002		PPBP00001		MOTOR IDRAULICO MGLR 100A 25NIT	1,00			--
0003		TBFX85522		TUBE 5/16 L.1510 25001001	1,00			--
0004		TBFX85523		TUBE 5/16 L.1410 25001002	1,00			--
0005		TBBP00436		TUBE L=490	1,00			--
0006		TBBP87182		L.P. HOSE 670MM	1,00			--
0007		MPVR00015		TANK X OLIO CON FILTRO TK1000S	1,00			--