



Spare Parts List

IP Cleaning Srl - Soteco

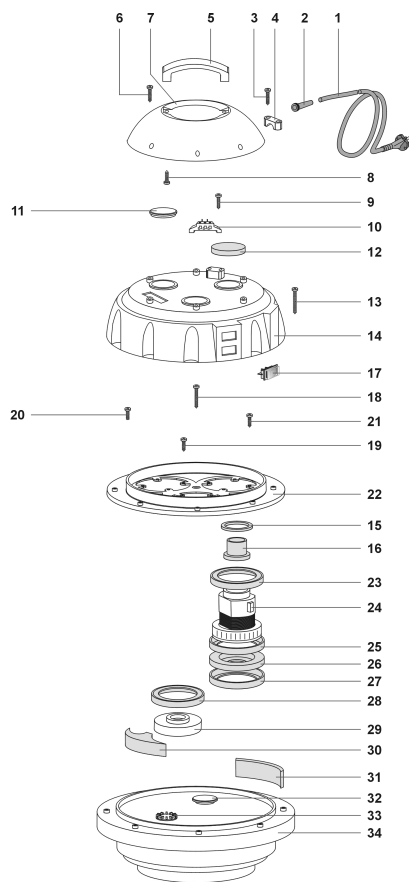
Ref: ASDO10131
Cust.Ref: 429/12 M
Model:
Cust.Model: 174408



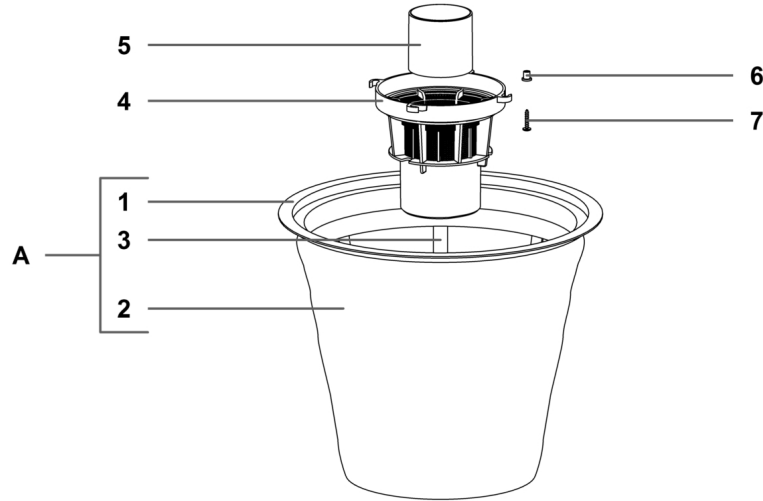
IPC Integrated Professional Cleaning

IPC Soteco

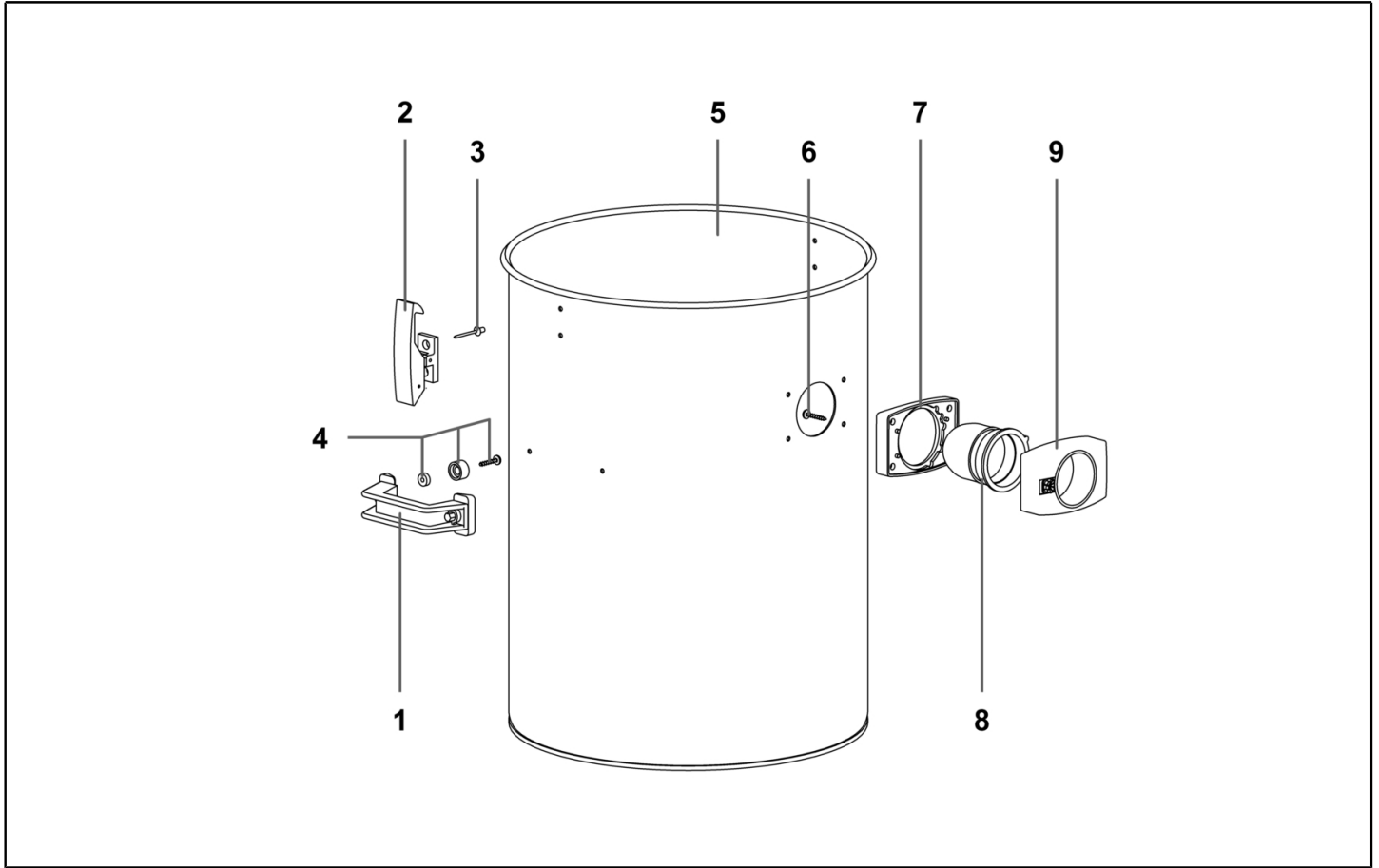
Ref. K	Part N.	Part N. 2	Description	Quantity	Validity		Price
					From	To	
0001	PMTA03655	N/A	HEAD AMST.429 HP RAD W/PL G6/V	1,00			--
0002	KTRI72229	N/A	COMPL.FILTRATION KIT 400	1,00			--
0003	PMFU00349	N/A		1,00			--
0004	CARR01426	N/A	BLACK TROLLEY MARKET	1,00			--
0005	PMDT00592	N/A	KIT ACCESS. 38 NEW	1,00	18/03/2021		--



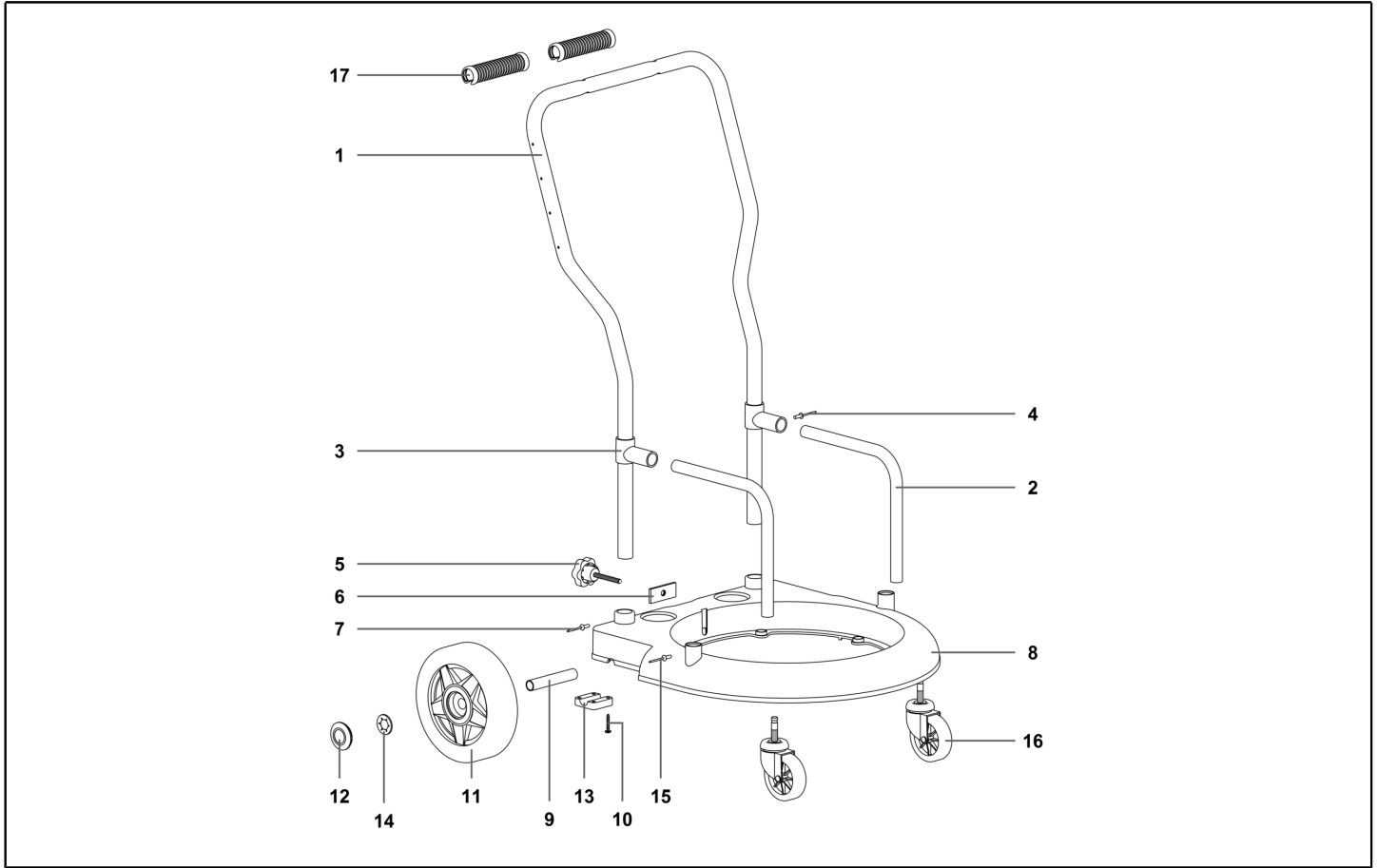
Ref. K	Part N.	Part N. 2	Description	Quantity	Validity		Price
					From	To	
*	MECB01821	N/A	WIRING 40CM MOTOR-TP 1200	2,00			--
*	MECB35712	N/A	WIRE WITH RESISTANCE	1,00			--
*	FSVR00127	N/A	CLAMP	3,00			--
0001	MECB31445	N/A	ELECTRIC CORD 2X1,5 MT.8,5	1,00			--
0002	MEVR28673	N/A	FAIRLEAD	1,00			--
0003	VTVT71961	N/A	SCREW PFU TMT PHL 5X20 ZN NERA	2,00			--
0004	MPVR28690	N/A	CABLE CLAMP	1,00			--
0005	MPVR09451	N/A	GREY HANDLE "T" AMST.	1,00			--
0006	VTVT71961	N/A	SCREW PFU TMT PHL 5X20 ZN NERA	6,00			--
0007	MPVR89148	N/A	COVER A.400 GREY 6000	1,00			--
0008	VTVT71961	N/A	SCREW PFU TMT PHL 5X20 ZN NERA	2,00			--
0009	VTVT71960	N/A	SCREW PAT TMT PHL 5X14 ZN	2,00			--
0010	MECB01168	N/A	TERMINAL BOARD 400-600 2P 2MOT	1,00			--
0011	MPVR38053	N/A	COVERING CAP	1,00			--
0012	FTDP38064	N/A	FILTER MTP/65 H=15 D.95	2,00			--
0013	VTVT71971	N/A	SCREW PAT TMT PHL 5X35 BLACK	8,00			--
0014	PMVR04531	N/A	COVERING A.400 2M GREEN IPC	1,00			--
0015	MPVR38371	N/A	WASHER H8 D85X65	2,00			--
0016	MPVR40749	N/A	RING MOTORE H=34 (41) PLAST.	2,00			--
0017	MECI28744	N/A	ANTISPLASH RED LIGHT SWITCHER	2,00			--
0018	VTVT71966	N/A	SCREW PAT TMT PHL 5X30 BLACK	1,00			--
0019	VTVT72055	N/A	SCREW PFU TMT PHL 5X25 ZN BLACK	4,00			--
0020	VTVT01041	N/A	SCREW TC CROSS M 5X15 UNI 7687	1,00			--
0021	VTVT72055	N/A	SCREW PFU TMT PHL 5X25 ZN BLACK	8,00			--
0022	MPVR40750	N/A	MOTOR FASTENER 400BLACK	1,00			--
0023	GUGO28683	N/A	"L" GASKET W/O HOLES H=5,5	2,00			--
0024	MOMO40006	N/A	MOT.BS282 1200W 220-240 50/60 MONO	2,00			--
0025	GUVR00397	N/A	"L" GASKET S/F H=16	2,00			--
0026	MPVR89143	N/A	OUTDISTANCED SINGLE-STAGE H=13MM	2,00			--
0027	GUGO28683	N/A	"L" GASKET W/O HOLES H=5,5	2,00			--
0028	GUGO28683	N/A	"L" GASKET W/O HOLES H=5,5	1,00			--
0029	MPVR07346	N/A	FAKE MOTOR	1,00			--
0030	FTDP38057	N/A	ANTINOISE TRIANGLE H=51	3,00		16/06/2023	--
0030	FTDP00891	N/A	FILTER FONO TRIANGOLARE H=53	3,00	19/06/2023		--
0031	FTDP28745	N/A	GASKET MTP/30 AU-AD 50X10X85	3,00			--
0032	MPVR28748	N/A	AUTOMATIC VALVE	2,00			--
0033	MPVR38058	N/A	BASE CAP	1,00			--
0034	MPVR02262	N/A	BASE 600/400 W/GASK.W/PLATE GR6	1,00			--



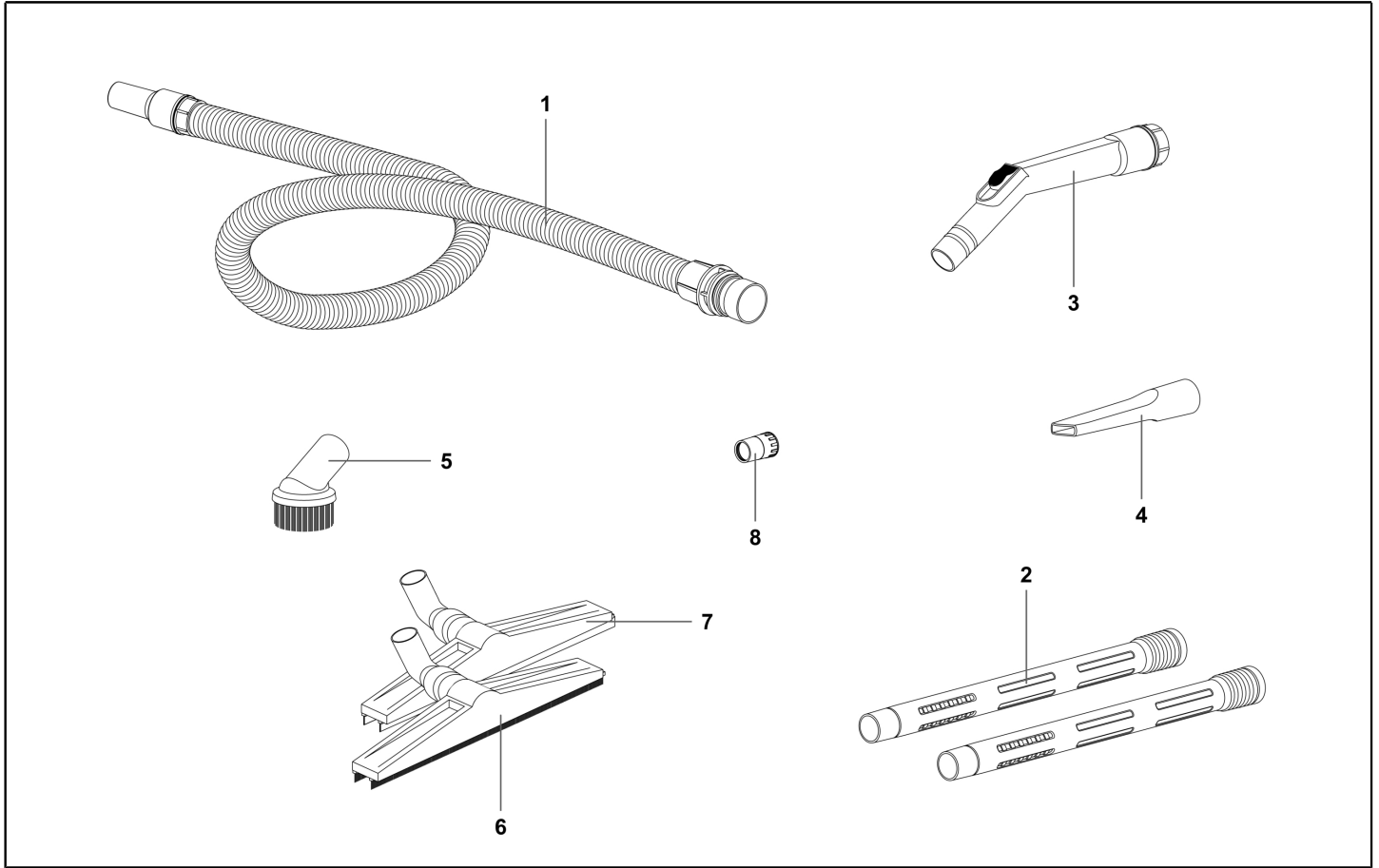
Ref. K	Part N.	Part N. 2	Description	Quantity	Validity		Price
					From	To	
A	FTDP28733	N/A	KIT RING+FILT+BASK.400 CONIC.SAN	1,00			--
0001	MPVR35807	N/A	FILTER RING 400	1,00			--
0002	FTDP00523	N/A	FILTER POLY AN4-600 CON REG H320	1,00			--
0003	MPVR09199	N/A	CONICAL BASKET 400	1,00			--
0004	MPVR40521	N/A	NET ANTIFOAM BODY HIGH	1,00			--
0005	RCGR40008	N/A	HIGH FLOAT 99 W/GASKET 37 SHA	1,00			--
0006	MPVR35796	N/A	BUSHING PLASTIC SLEEVE D.8	4,00			--
0007	VTVT36751	N/A	SCREW SCREW PAT TMT PHL 5X25	4,00			--



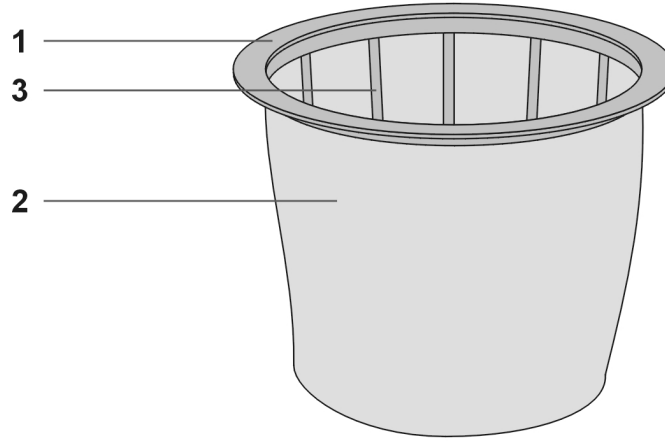
Ref. K	Part N.	Part N. 2	Description	Quantity	Validity		Price
					From	To	
0001	MPVR09429	N/A	HANDLE GREY 6000	2,00			--
0002	CHVR28735	N/A	COMPLETE PLASTIC HOOK BLACK	2,00	23/01/2018		--
0003	VTVR71991	N/A	RIVET 5X11	4,00			--
0004	RIGE00015	N/A	COMPLETE SEAL W/SCREW L=25	4,00			--
0005	LAFN28734	N/A	TANK 400 AISI 430	1,00			--
0006	VTVT71966	N/A	SCREW PAT TMT PHL 5X30 BLACK	4,00			--
0007	MPVR08681	N/A	GASKET R 205 GREY 6000	1,00			--
0008	MPVR42004	N/A	DEFLECTOR 99/60	1,00			--
0009	MPVR09176	N/A	PIPE UNION 99/60 PLANE G6/GREE-IPC	1,00			--



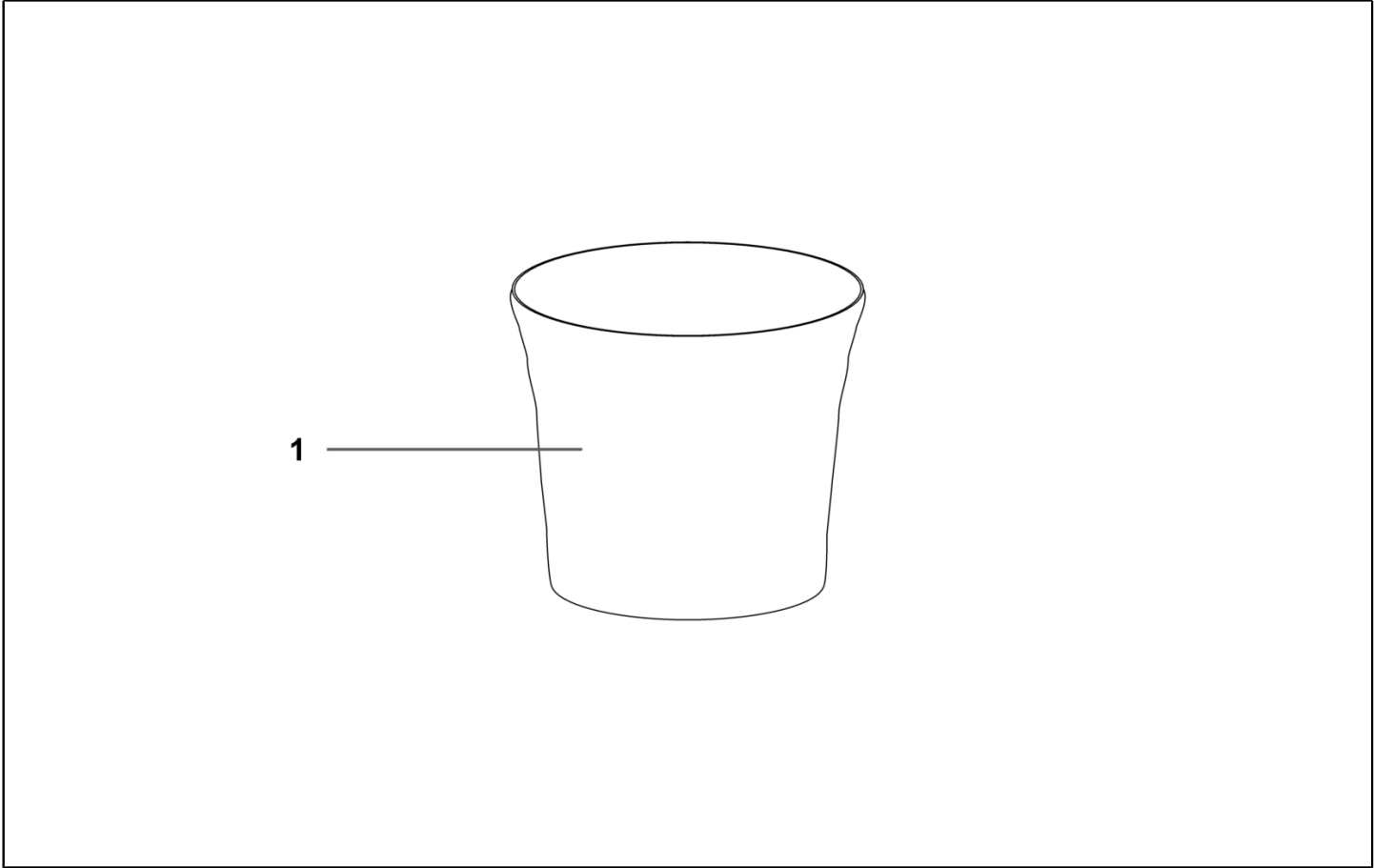
Ref. K	Part N.	Part N. 2	Description	Quantity	Validity		Price
					From	To	
0001	LAFN09734	N/A	HANDLE MARKET 400 BLACK	1,00			--
0002	MPVR02240	N/A	VARNISHED SUPPORT TUBE	2,00			--
0003	LAFN03247	N/A	HOSE T ST.MKT	2,00			--
0004	VTVR00396	N/A	RIVET 4,8X17 BLACK	2,00			--
0005	VTVR00162	N/A	HAND-WHEEL M 8X60	1,00			--
0006	LAFN06613	N/A	PLATE LOCKING THREADED	1,00			--
0007	VTVR00396	N/A	RIVET 4,8X17 BLACK	2,00			--
0008	MPVR08479	N/A	TROLLEY BODY 400 MARKET B	1,00			--
0009	LAFN09549	N/A	WHEEL PIN D.18X105 SP.1.5 ZN	2,00			--
0010	VTVT71966	N/A	SCREW PAT TMT PHL 5X30 BLACK	8,00			--
0011	RTRT85069	N/A	REAR WHEEL D.200	2,00			--
0012	MPVR85070	N/A	WHEEL CAP D.200/250 BLACK	2,00			--
0013	MPVR28774	N/A	LOCK PIVOT BRACKET	2,00			--
0014	MPVR86321	N/A	BLOC. D.18	2,00			--
0015	VTVR00396	N/A	RIVET 4,8X17 BLACK	2,00			--
0016	RTRT40020	N/A	FRONT WHEEL D.80 W/PIVOT	2,00			--
0017	MPVR02288	N/A	GRIP PLAST.CARRELLO GR.5000	2,00		11/05/2022	--
0017	MPVR10119	N/A	GRIP PLAST.CARRELLO NERO	2,00	12/05/2022		--



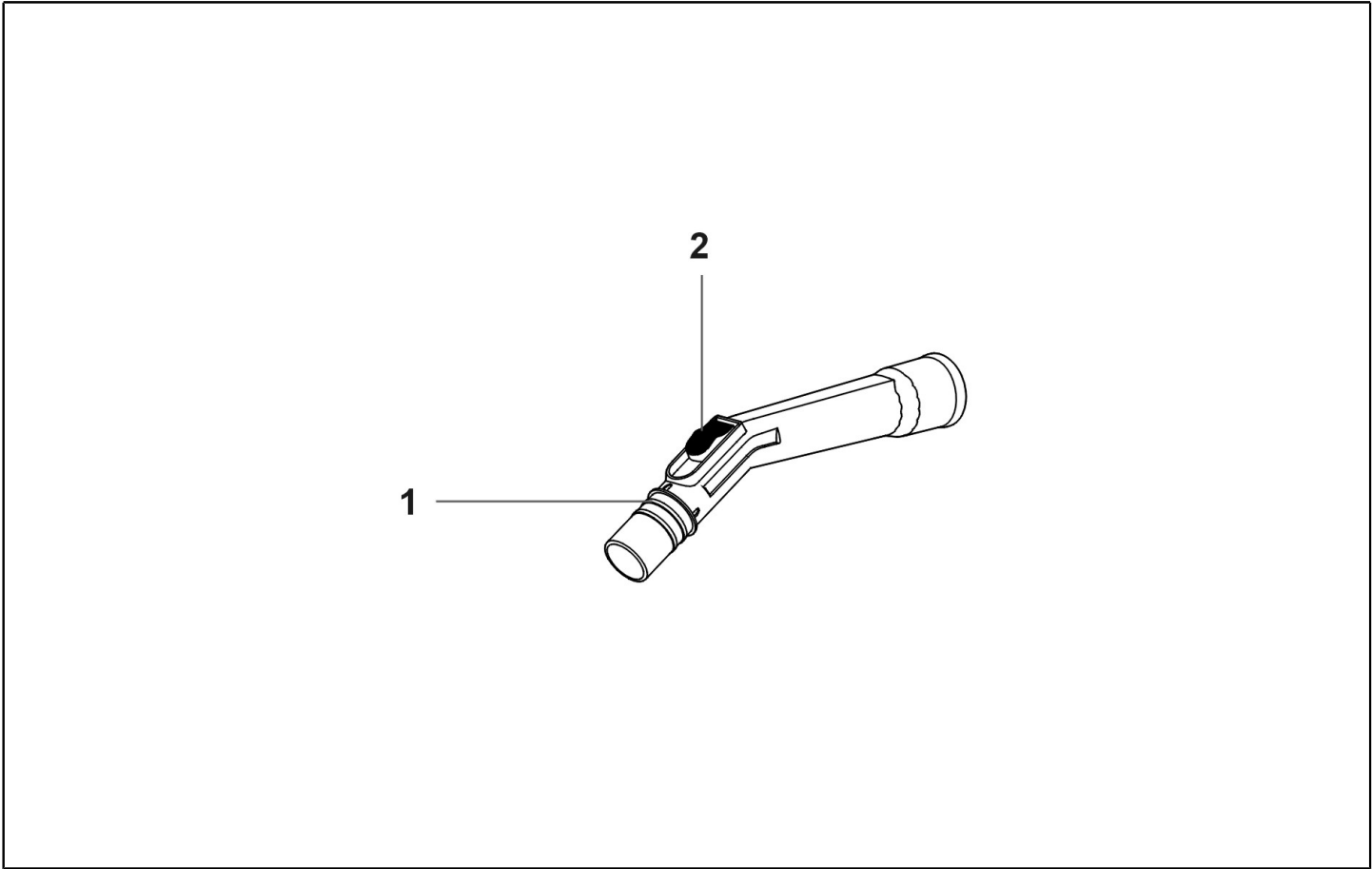
Ref. K	Part N.	Part N. 2	Description	Quantity	Validity		Price
					From	To	
0001	TBFX37775	N/A	COMPL.FLEX HOSE 38/99 MT.4,5	1,00			--
0002	LAFN43048	N/A	EXTENSION FOR VACUUM CLEANER	2,00			--
0003	MPVR43047	N/A	EXTENSION CURVED EXTENSION	1,00			--
0004	SPPV00156	N/A	FLAT LANCE D.38	1,00			--
0005	SPPV43052	N/A	ROUND TOOL D.38	1,00			--
0006	SPPV43050	N/A	BRISTLES BRUSH D.40	1,00			--
0007	SPPV43051	N/A	CURVED WET TOOL 400 D.38	1,00			--
0008	MPVR43049	N/A	PVC ADAPTOR D.38	1,00			--



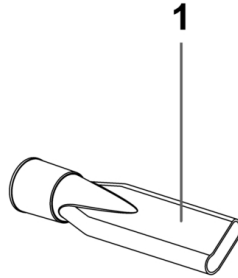
Ref. K	Part N.	Part N. 2	Description	Quantity	Validity		Price
					From	To	
0001	MPVR35807	N/A	FILTER RING 400	1,00			--
0002	FTDP00523	N/A	FILTER POLY AN4-600 CON REG H320	1,00			--
0003	MPVR09199	N/A	CONICAL BASKET 400	1,00			--



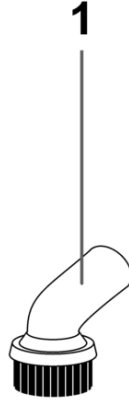
Ref. K	Part N.	Part N. 2	Description	Quantity	Validity		Price
					From	To	
0001	FTDP00523	N/A	FILTER POLY AN4-600 CON REG H320	1,00			--
0001	FTDP00523	N/A	FILTER POLY AN4-600 CON REG H320	1,00			--
0001	FTDP00523	N/A	FILTER POLY AN4-600 CON REG H320	1,00			--



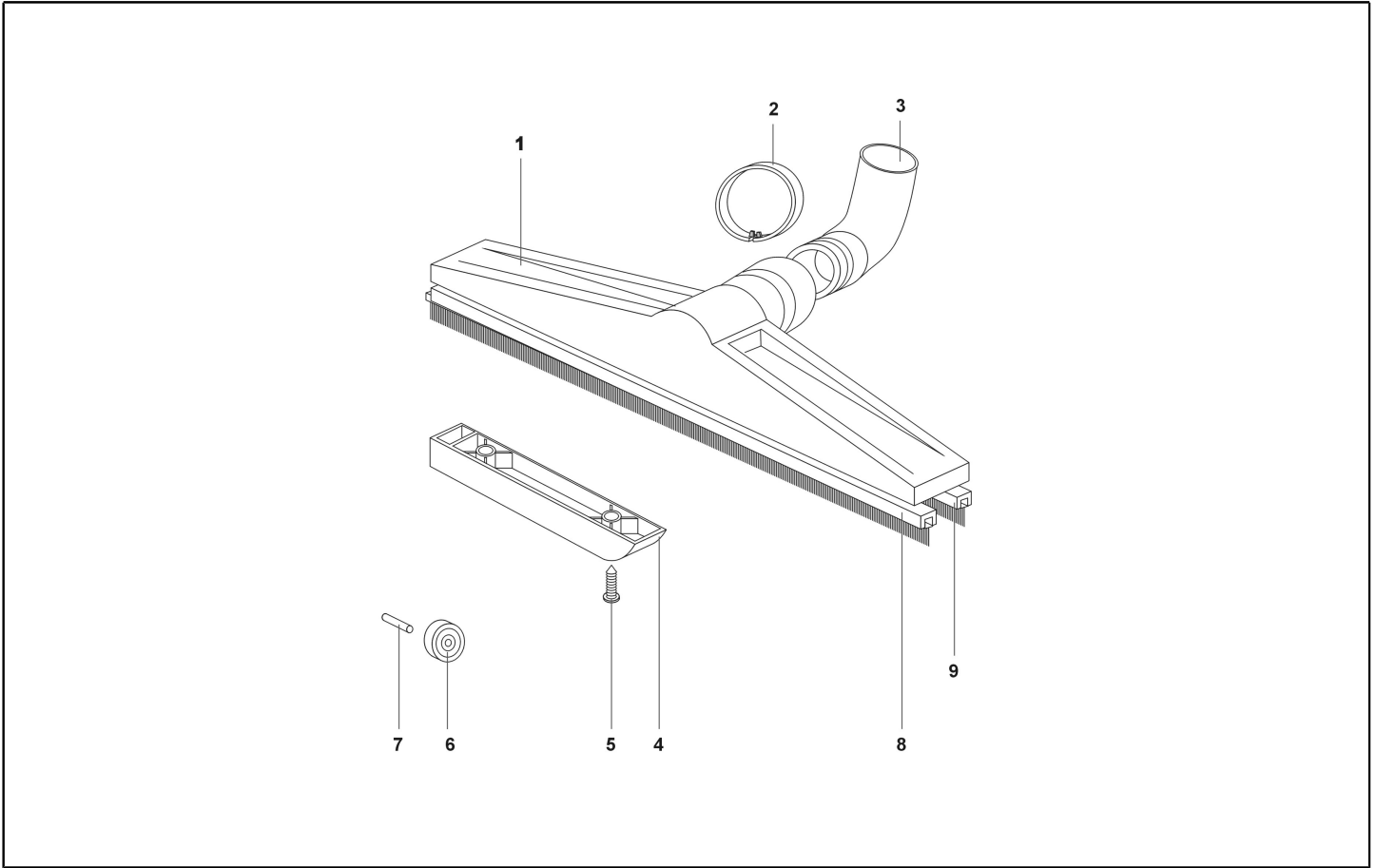
Ref. K	Part N.	Part N. 2	Description	Quantity	Validity		Price
					From	To	
0001	MPVR10505	N/A	CURVE PLAST DIA 38	1,00			--
0002	MPVR06762	N/A	PUSH BUTTON AIR REGULATION G5	1,00			--



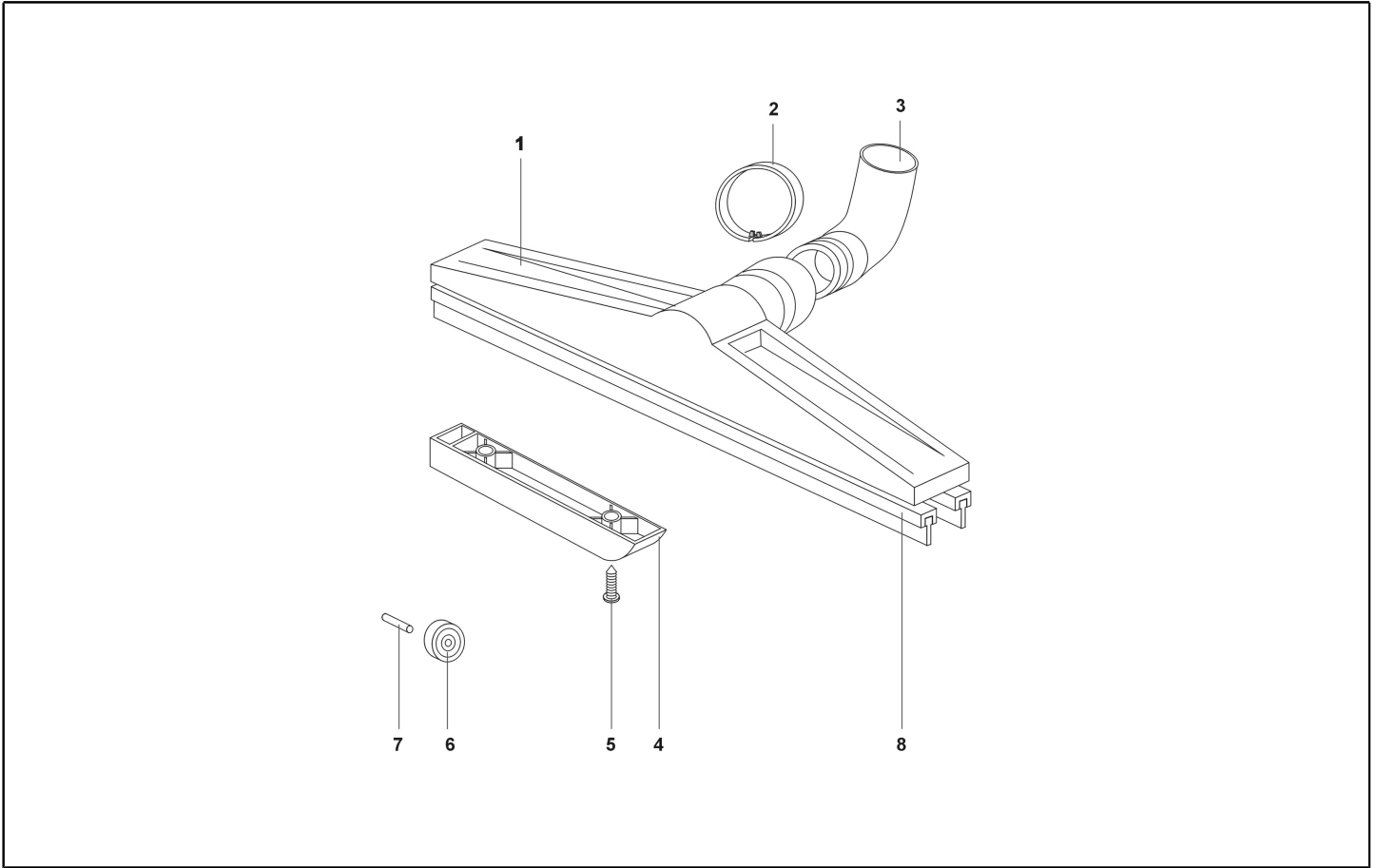
Ref. K	Part N.	Part N. 2	Description	Quantity	Validity		Price
					From	To	
0001	SPPV00156	N/A	FLAT LANCE D.38	2,00			--
0001	SPPV00156	N/A	FLAT LANCE D.38	2,00			--



Ref. K	Part N.	Part N. 2	Description	Quantity	Validity		Price
					From	To	
0001	SPPV43052	N/A	ROUND TOOL D.38	1,00			--
0001	SPPV43052	N/A	ROUND TOOL D.38	1,00			--



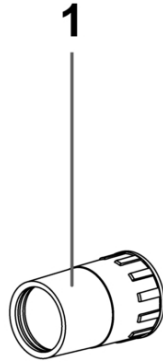
Ref. K	Part N.	Part N. 2	Description	Quantity	Validity		Price
					From	To	
0001	MPVR06726	N/A	BRUSH BODY 400	1,00			--
0002	MPVR49176	N/A	ELASTIC RING NUT BRUSH 400	1,00			--
0003	MPVR02289	N/A	BRUSH 400 ELBOW CLUTCH D.38	1,00			--
0004	MPVR06728	N/A	WHEEL HOLDER SUPPORT BRUSH 400	2,00			--
0005	VTVT01193	N/A	SCREW PAT TMT PHL 5X15 ZN BLACK	4,00			--
0006	RTRT87117	N/A	WHEEL D.25 BRUSH 300/400	2,00			--
0007	LAFN86068	N/A	PIVOT 5 X 17,5 ZN	2,00			--
0008	SPPV76601	N/A	STRIP L=395	1,00			--
0009	SPPV76599	N/A	GUIDE LIST W/STRIP L=395	1,00			--



Ref. K	Part N.	Part N. 2	Description	Quantity	Validity		Price
					From	To	
0001	MPVR06726	N/A	BRUSH BODY 400	1,00			--
0002	MPVR49176	N/A	ELASTIC RING NUT BRUSH 400	1,00			--
0003	MPVR02289	N/A	BRUSH 400 ELBOW CLUTCH D.38	1,00			--
0004	MPVR06728	N/A	WHEEL HOLDER SUPPORT BRUSH 400	2,00			--
0005	VTVT01193	N/A	SCREW PAT TMT PHL 5X15 ZN BLACK	4,00			--
0006	RTRT87117	N/A	WHEEL D.25 BRUSH 300/400	2,00			--
0007	LAFN86068	N/A	PIVOT 5 X 17,5 ZN	2,00			--
0008	MPVR38641	N/A	GUIDE LIST W/WET L=395	2,00			--



Ref. K	Part N.	Part N. 2	Description	Quantity	Validity		Price
					From	To	
0001	VTVT36751	N/A	SCREW SCREW PAT TMT PHL 5X25	1,00			--
0001	VTVT36751	N/A	SCREW SCREW PAT TMT PHL 5X25	1,00			--



Ref. K	Part N.	Part N. 2	Description	Quantity	Validity		Price
					From	To	
0001	MPVR43049	N/A	PVC ADAPTOR D.38	1,00			--
0001	MPVR43049	N/A	PVC ADAPTOR D.38	1,00			--