

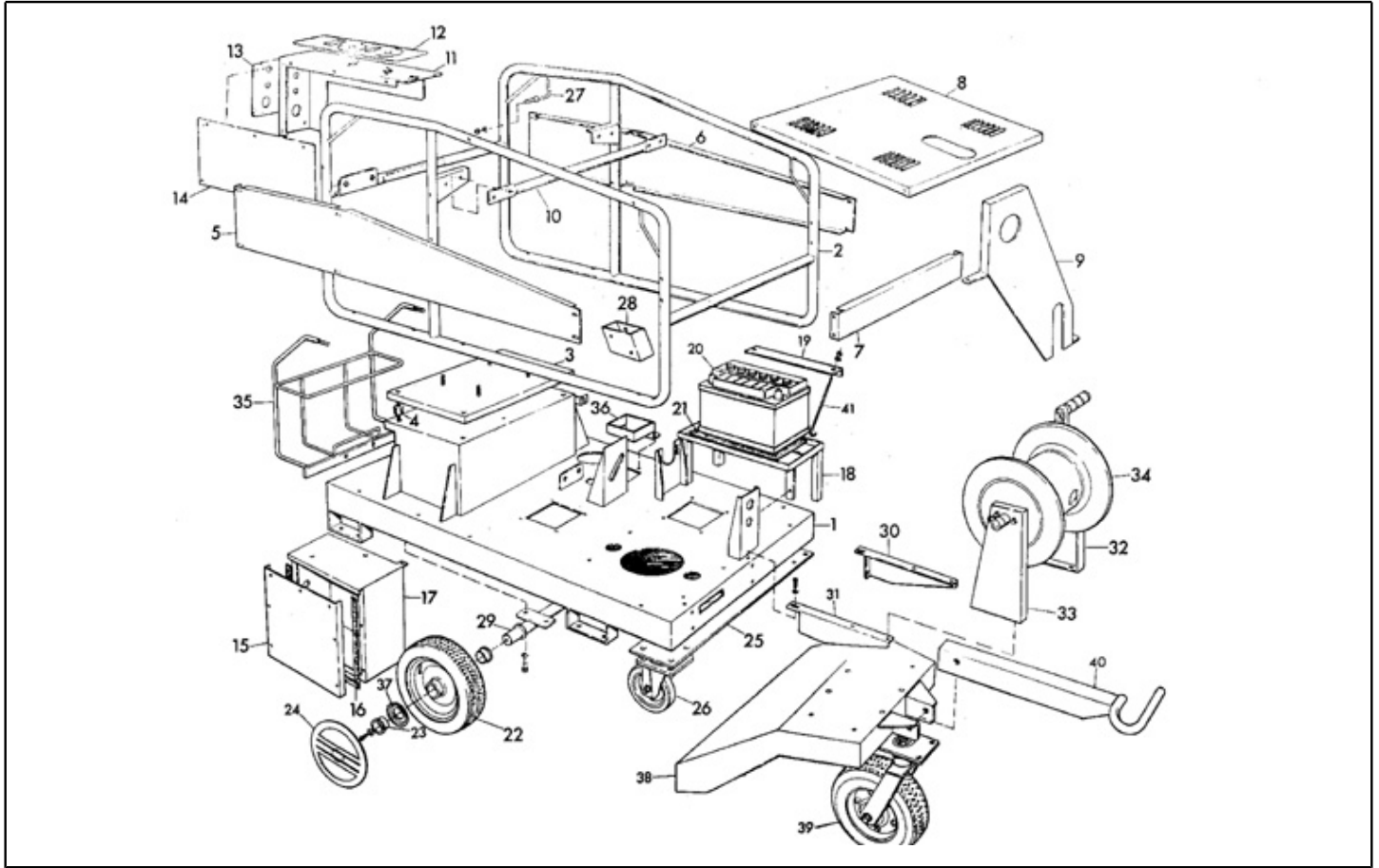


IPC

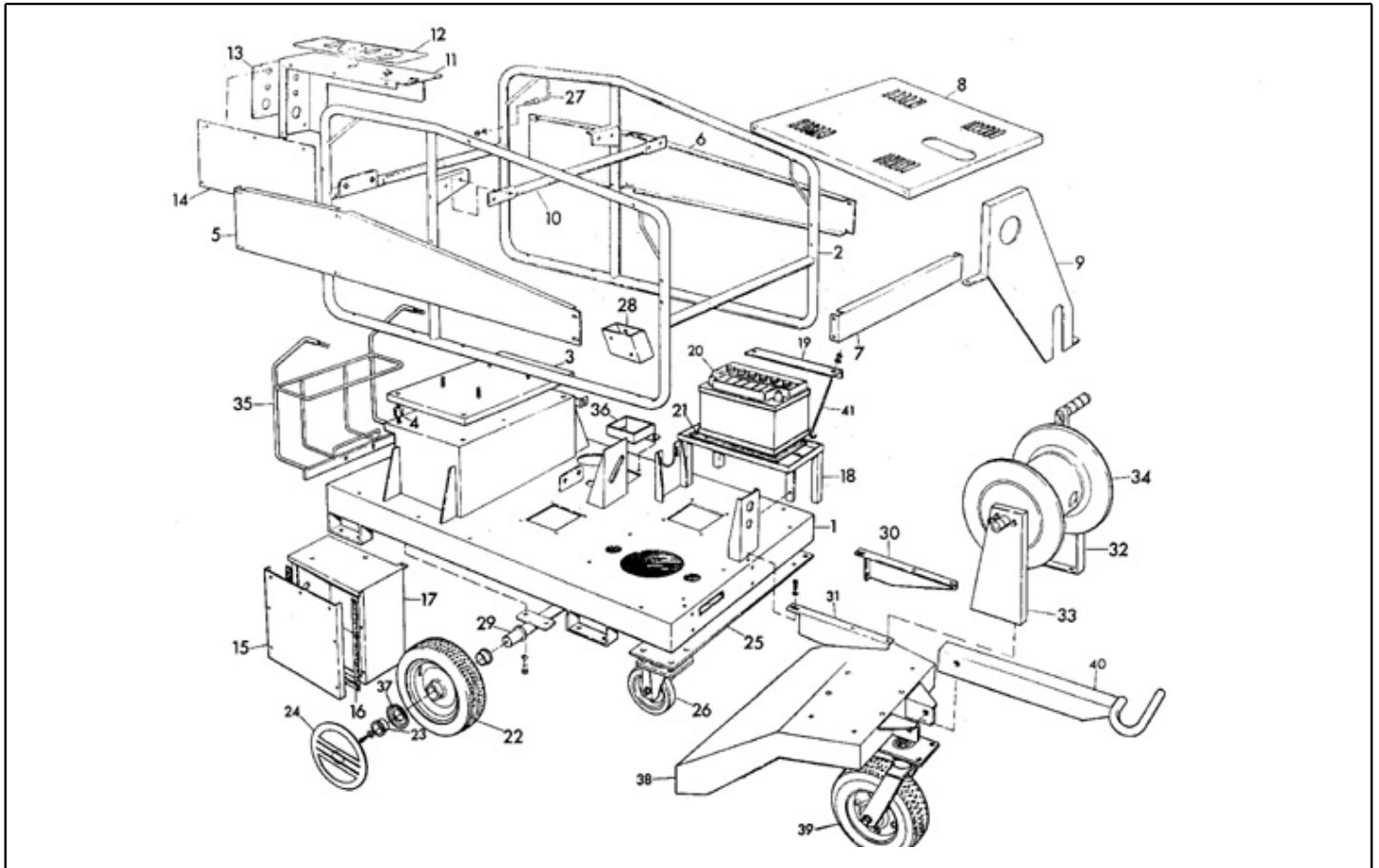
Spare parts list

Ref: IDAC49710

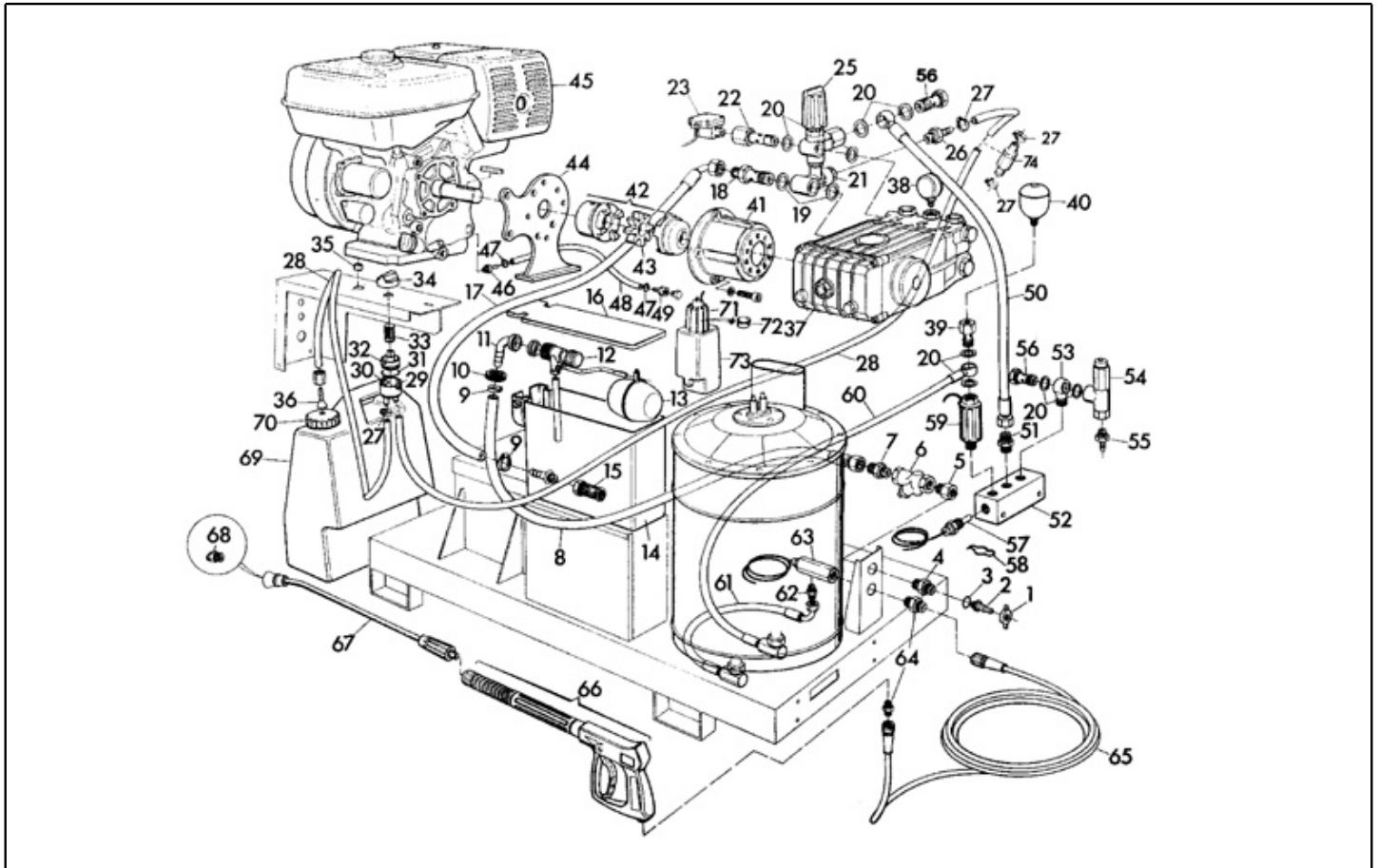
Model: H.P. CLEANER SKID F.H L1818Pi P IPC



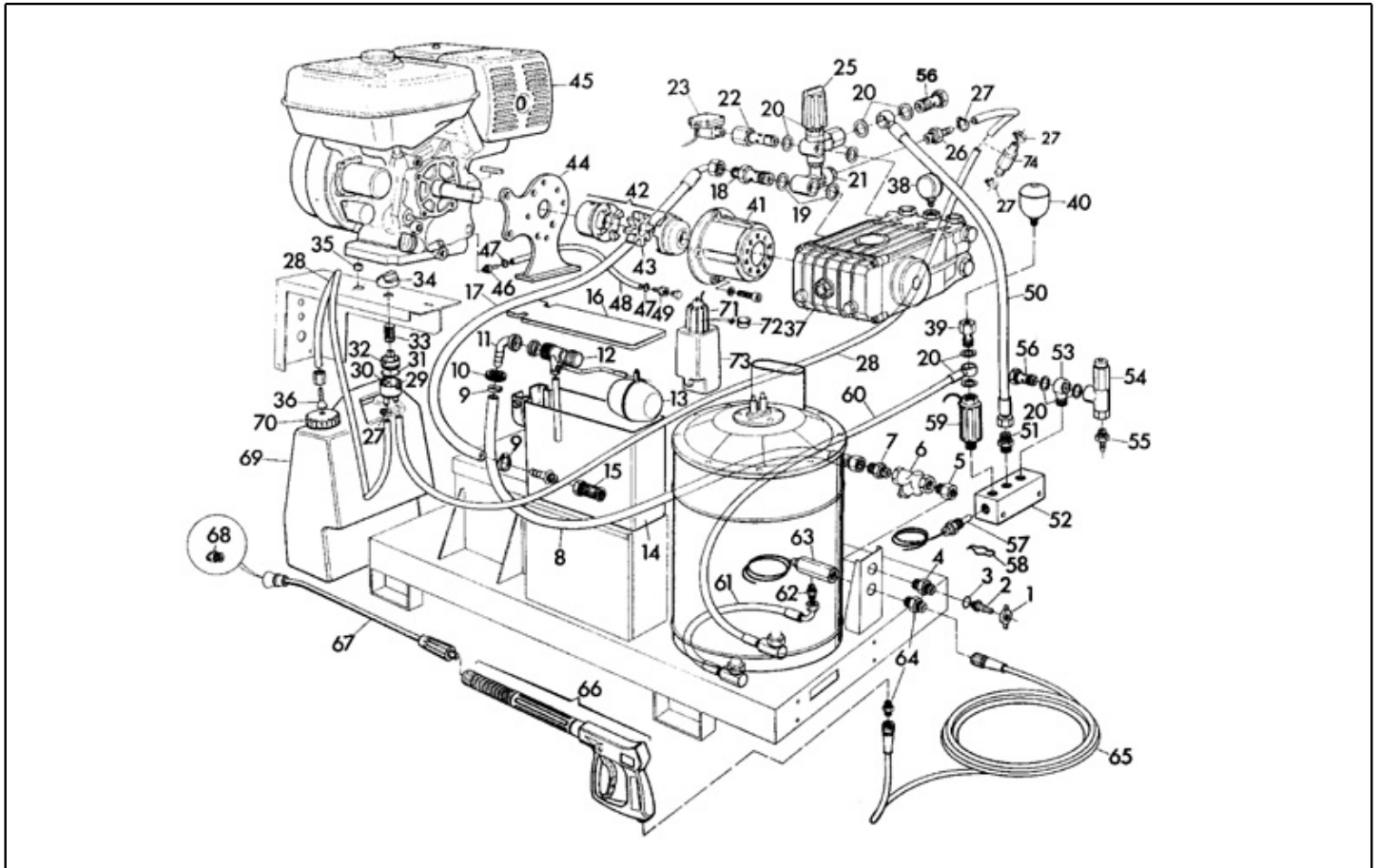
Ref. K	Part n.	Customer part n.	Description	Quantity	Validity		Price
					From	To	
0001	LAFN26742	00026742	BASE SKID F.	1,00			--
0002	LAFN26740	00026740	TUBULAR FRAME SKID F.	1,00			--
0003	LAFN14180	00014180	MOTOR PLATE F.165 B	1,00			--
0004	ABGO15126	00015126	VIBRATION DAMP. 50X30- 2M10X27 -65+5SH	3,00			--
0005	LAFN49853	00049853	LAT. PANEL SKID F. DX GRY	1,00			--
0006	LAFN49854	00049854	LAT. PANEL SKID F. SX GRY	1,00			--
0007	LAFN26748	00026748	ANT. PANEL SKID F.	1,00			--
0007	LAFN49852	00049852	ANT. PANEL SKID F. GRY.	1,00			--
0008	LAFN49851	00049851	COVER SKID F. GRY.	1,00			--
0009	LAFN26756	00026756	BELT GUARD SKID F.	1,00			--
0010	LAFN14935	00014935	CROSS PIECE F.165 B	1,00			--
0011	LAFN26758	00026758	FRONT PANEL SKID F.	1,00	10/02/2000		--
0012	ETET26927	00026927	LABEL SKID F. SUP.	1,00			--
0013	ETET26928	00026928	LABEL SKID F. INF.	1,00			--
0014	LAFN14946	00014946	LAT. PANEL F.165 B	1,00			--
0015	LAFN26861	00026861	BOX COVER SKID F.	1,00			--
0016	GUGO27089	00027089	GASKET SKID F.	1,00			--
0017	LAFN26762	00026762	CONTROL BOX SKID F.	1,00			--
0018	LAFN26752	00026752	BATTERY SUPPORT SKID F.	1,00			--
0019	LAFN35935	00035935	BRACKET SKID F. 2V.	1,00			--
0020	BAAC06153	00006153	BATTERY 60 AH 12V 300A	1,00			--
0021	MPVR27094	00027094	BATTERY RUBBER 185X315	1,00			--
0022	S RTRT15328	00015328	WHEEL D.400-D.25	2,00			--
0023	S RCDS04886	00004886	BUSHING D. 36 D.25X20 OTT	4,00			--
0024	S MPVR25910	00025910	RED HUB CAP D. 250 RT/PRT	2,00			--
0025	S LAFN14226	00014226	PLATE F.165 B	1,00			--
0026	S RTRT14224	00014224	TURNING WHEEL D.180 SCM	1,00			--
0026	S RTRT14225	00014225	TURNING WHEEL D.180 SCM - FR	1,00			--
0027	S LAFN15045	00015045	LANCE REST F.165 B	1,00			--
0028	S LAFN14924	00014924	CONTAINER F.165 B	1,00			--
0029	S LAFN14234	00014234	WHEELS AXLE F.165 B	1,00			--
0030	S LAFN26770	00026770	LEFT SUPPORT SKID F.	1,00			--
0031	S LAFN26768	00026768	RIGHT SUPPORT SKID F.	1,00			--
0032	S LAFN26266	00026266	HOSE WIND.SUPP. PRT HS 2°V SX	1,00			--
0033	S LAFN26264	00026264	HOSE WIND.SUPP. PRT HS 2°V DX	1,00			--
0034	S AVTB23276	00023276	HOSE WINDING KRZ	1,00			--
0035	S LAFN14985	00014985	TANK HOLDER F.165 B	1,00			--
0036	S LAFN24961	00024961	TANK HOLDER ANTIC.GLX	1,00			--
0037	S LAFN28028	00028028	SUPPORT F.165B INX	2,00			--
0038	S LAFN27454	00027454	SUPPORT PLATE SKID-F.	1,00			--
0039	S RTRT28542	00028542	TURNING WHEEL D.350X100 PN.	1,00			--
0040	S LAFN27456	00027456	TOWBAR SKID F.	1,00			--
0041	LAFN35933	00035933	BATT. TIE ROD SKID F.	2,00			--



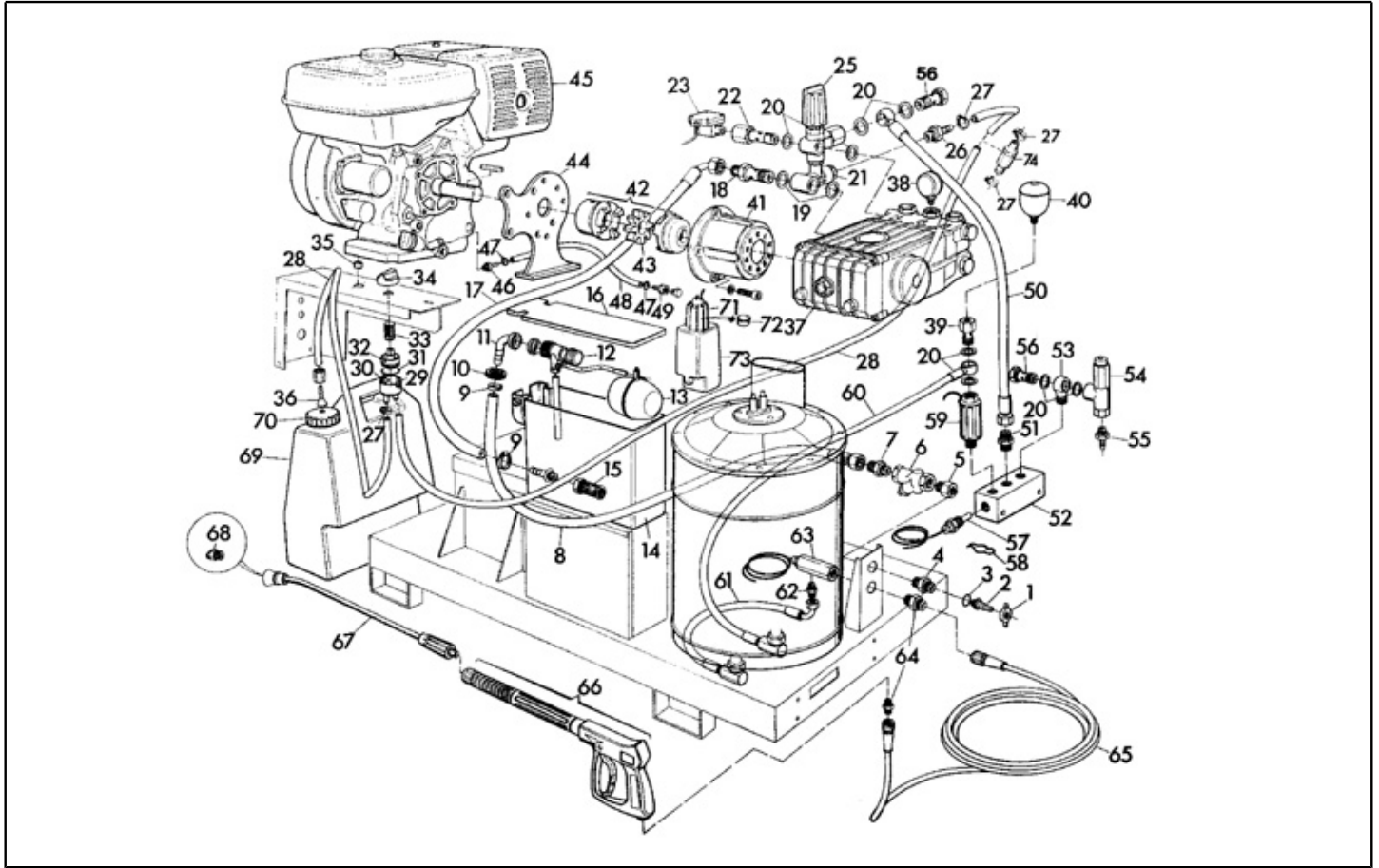
Ref. Part n.	Cust. part n.	Description	Reference	Price
KTRI26685		KIT P 1- 15	0022 0023 0024 0029 0037 0038 0039 0040	--
KTRI26686		KIT P 1- 16	0022 0023 0024 0025 0026 0026 0029 0037	--
KTRI26687		KIT P 3- 4	0027 0028	--
KTRI26688		KIT P 35- 5	0030 0031 0032 0033 0034	--
KTRI26689		KIT P 7- 9	0036	--
KTRI26690		KIT P 6- 8	0035	--
KTRI27587		KIT P 35- 7	0032 0033 0034	--



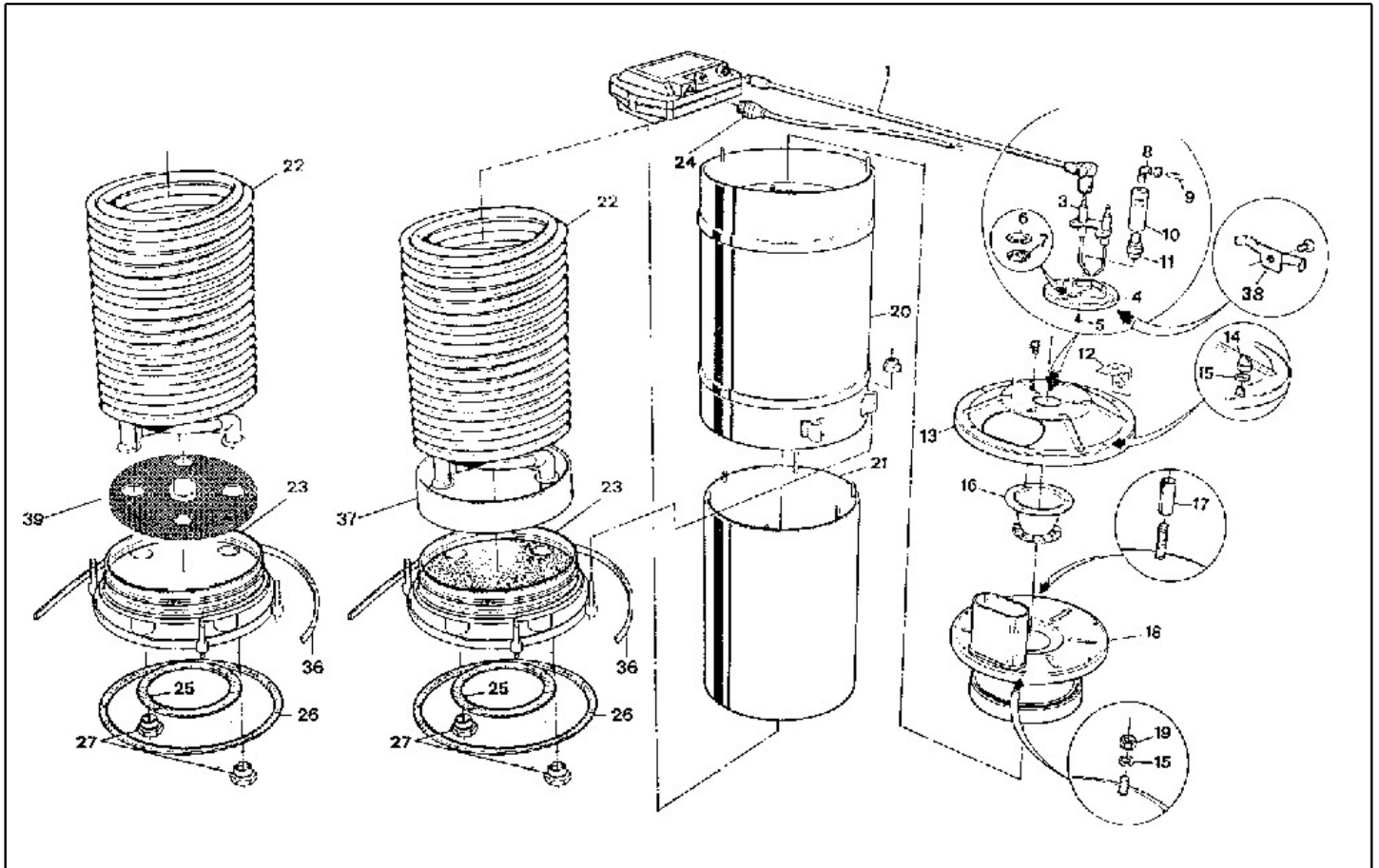
Ref. K	Part n.	Customer part n.	Description	Quantity	Validity		Price
					From	To	
0001	RCDS09316	00009316	CONNECTION G. 3/4	1,00			--
0002	RCDS08965	00008965	HOSE FITTING OTT.	1,00			--
0003	GUGO01054	00001054	O-RING D. 15.08 X 2.62 NBR 70SH	1,00			--
0004	RCDS09825	00009825	NIPPLE 3/4 - 1/2 OTT	1,00			--
0005	RCVR00647	00000647	REDUCTION 3/4-1/2 M/F	1,00			--
0006	FTAC33904	00033904	FILTER 3/4 F/F 2.VERS.	1,00			--
0007	RCDS00613	00000613	NIPPLE 3/4 - 1/2 SV	1,00	19/04/2001		--
0008	TBBP15642	00015642	L.P. HOSE L=970 1/2F90°	1,00			--
0009	S FSVR00431	00000431	CLAMP D. 16-25	1,00			--
0010	S RCDS10356	00010356	RING NUT FUT	1,00			--
0011	S RCDS10357	00010357	HOSE FITTING FUT 90°	1,00			--
0012	S RCGR10358	00010358	TAP UG. D. 7	1,00			--
0013	S RCGR01387	00001387	PLASTIC BALL D.104	1,00			--
0014	S MPVR22117	00022117	WATER TANK FUT PPL BK.	1,00			--
0015	FTDT21315	00021315	FILTER D.20X45 18LT	1,00			--
0016	S MPVR10353	00010353	TANK COVER FUT PPL BK.	1,00	05/05/2010		--
0017	TBAP28041	00028041	HOSE-FITTING 5/ 8 R1 L=480 1/2F90°	1,00			--
0018	RCDS25786	00025786	SCREW G 1/2 + 1/2M - D.8 L=65	1,00			--
0019	VTRS00549	00000549	WASHER D.21,5X27X1,5 (1/2) RM	2,00			--
0020	VTRS00548	00000548	WASHER D.17,5X23X1,5 (3/8)RM	2,00			--
0021	VVAZ26760	00026760	VALVE VB 7 W151 AC REG.	1,00		23/09/2002	--
0021	VVAZ40033		VALVE VRF-2 IP-W AC S/IN.	1,00	01/12/2012	09/05/2013	--
0021	VVAZ40040		VALVE VRF-2 IP-W AC S/IN. REG.	1,00	10/05/2013		--
0021	VVAZ46720	00046720	VALVE MV 625 W151 AC S/IN. REG.	1,00	24/09/2002	30/11/2012	--
0021	PVVR40273		ADAPTER VRF-2 RG.	1,00	01/12/2012	09/05/2013	--
0022	RCDS24713	00024713	SCREW G 3/8 - 3/8F L=66.5	1,00			--
0023	PIID25232	00025232	DECELERATOR IP SPD	1,00			--
0025	MPVR09436	00009436	BLACK KNOB ST 260	1,00		20/06/2014	--
0025	MPVR40589		BLACK KNOB ST 260 IPC	1,00	21/06/2014		--
0026	RCDS02687	00002687	HOSE FITTING 1/2 M D. 5- 7	1,00			--
0027	FSVR15255	00015255	CLAMP D. 8-12	6,00			--
0028	TBBP00051	00000051	DETERGENT HOSE D. 6-12	2,20			--
0029	RCGR08069	00008069	TAP BODY DET. PRT	1,00			--
0030	GUGO08071	00008071	O-RING D. 4.48 X 1.78 NBR 70SH	1,00			--
0031	GUGO12183	00012183	O-RING D. 23.4 X 3.53 VIT 70SH	1,00			--
0032	RCGR08070	00008070	ADJUSTER PRT	1,00			--
0033	MLML08068	00008068	SPRING D.1,5 L.23	1,00			--
0034	MPVR25533	00025533	GREY KNOB PRT-AC	2,00			--
0035	MPVR08728	00008728	SWITCH TANG TIMER W	1,00			--
0036	FTDT04647	00004647	FILTER 3/8 F + PG	1,00			--
0037	PPAP14867	00014867	PUMP WS151 D.A.	1,00			--
0038	MNMN07990	00007990	PRESSURE GAUGE 0-250 D.50	1,00	01/05/1998	23/07/2012	--
0038	MNMN89876		PRESSURE GAUGE G1/4 0-250 D.50 INOX	1,00	24/07/2012		--
0039	RCDS18291	00018291	SCREW G 3/8 - M14X1,5 F L=53	1,00			--



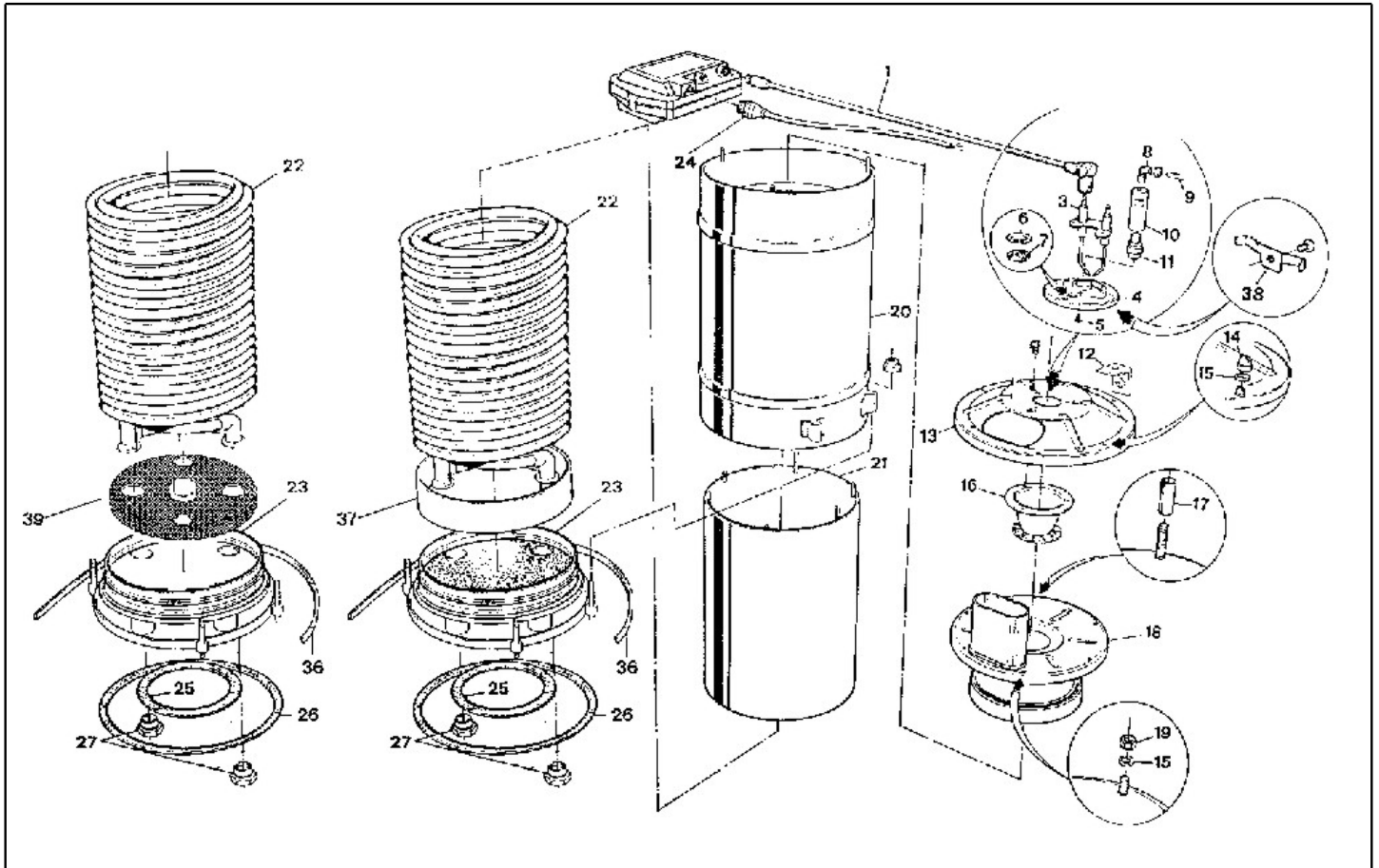
Ref. K	Part n.	Customer part n.	Description	Quantity	Validity		Price
					From	To	
0040	ACID08195	00008195	ACCUMULATOR M 14X1.5 30BAR	1,00			--
0041	MFVR01021	00001021	FLANGE HP 5,5 W 151	1,00			--
0042	FGGT11877	00011877	FLEX. COUPLING HP10 SIT 24-25	1,00		18/04/2001	--
0043	FGGT10094	00010094	RING SIT HP 10	1,00	19/04/2001		--
0044	MFVR11808	00011808	FLANGE SF/HONDA C203	1,00			--
0045	KTRI40012		KIT PX 6- 26 Pome+havv.H	1,00	09/11/2006		--
0045	MOSC26812	00026812	ENGINE MOTOR HONDA GX340K1 L1-F0 12V	1,00		08/11/2006	--
0045	MOSC40000		ENGINE MOTOR HONDA GX390K1 LK-E-OH 12V	1,00	09/11/2006		--
0046	LAFN15629	00015629	CONNECTOR F.165 B M12 M	1,00			--
0047	FSVR00428	00000428	CLAMP D. 12-20	1,00			--
0048	TBCO15910	00015910	L.P. HOSE D.10-19	0,50			--
0049	LAFN15627	00015627	CONNECTOR F.165 B M12 F	1,00			--
0050	TBAP16900	00016900	HOSE-FITTING 5/16 R2 L=470 3/8F- 3/8O	1,00			--
0051	RCDS00610	00000610	NIPPLE 3/8 - 3/8 SV	2,00			--
0052	RCDS14223	00014223	BLOCK 4VIE A.P.	1,00			--
0053	RCDS03540	00003540	CONNECTOR O. 3/8 - G3/8M L= 36	1,00			--
0054	VVSC21627	00021627	VALVE VS 220 G3/8	1,00		19/06/2010	--
0054	VVSC40005		VALVE MR 401 G3/8	1,00	20/06/2010		--
0055	RCDS03514	00003514	HOSE FITTING 3/8 M D. 5- 7	1,00			--
0056	RCDS12495	00012495	SCREW G 3/8 L=48.5	2,00	24/09/2002		--
0057	RCDS00593	00000593	SUMP IM 0-120 L=50	1,00			--
0058	MLML02623	00002623	SPRING IMT	1,00			--
0059	MEPF06949	00006949	FLOW SWITCH ST5 L=1.300	1,00			--
0060	TBAP16910	00016910	HOSE-FITTING 5/16 R2 L=850 3/8O-1/2P90	1,00			--
0061	TBAP15897	00015897	HOSE-FITTING 5/16 R2 L=760 3/8F90° 0°	1,00			--
0062	RCDS20186	00020186	NIPPLE 3/8 - 14X1.5 SV	1,00			--
0063	RCDS19322	00019322	BLOC BODY 3/8F-M14	1,00			--
0064	RCIN09348	00009348	MALE COUPLING 3/8MA L=32	1,00			--
0065	TBAP15631	00015631	H.P. HOSE R2 MT 10 5/16" IRV F-SWIV	1,00		14/03/2007	--
0065	TBAP40009		H.P. HOSE R2 MT 10 5/16" C/2 IRV IX	1,00	15/03/2007		--
0066	IPPR12973	00012973	GRIP ST 2000 - P 330 - M22 M V	1,00		14/03/2007	--
0066	IPPR40016		GRIP G 5000+P.330 +M22 SW.M V2	1,00	17/04/2014		--
0066	IPPR89429		GRIP G 4500 - P.330 -M22SW.M V	1,00	15/03/2007	16/04/2014	--
0067	LCPR12975	00012975	EXTENSION P 50	1,00		14/03/2007	--
0067	LCPR12976	00012976	EXTENSION P 70	1,00	15/03/2007		--
0068	UGLN02300	00002300	NOZZLE 1/4 2506	1,00		02/05/2006	--
0068	UGLN49994	00049994	NOZZLE LECH 1/4 2506	1,00	03/05/2006		--
0069	S MPVR08436	00008436	DETERGENT TANK FUTURA	1,00			--
0070	S MPVR08580	00008580	TANK CAP FUT	1,00			--
0071	S MEPD22718	00022718	DESCALING PUMP NME-1 220V CPL.	1,00			--
0072	S MPVR20904	00020904	CAP KSM	1,00			--
0073	S MPVR24959	00024959	TANK GLX	1,00			--
0074	VVVF46712	00046712	VALVE 1/4M -PG. D.3X7.5	1,00			--



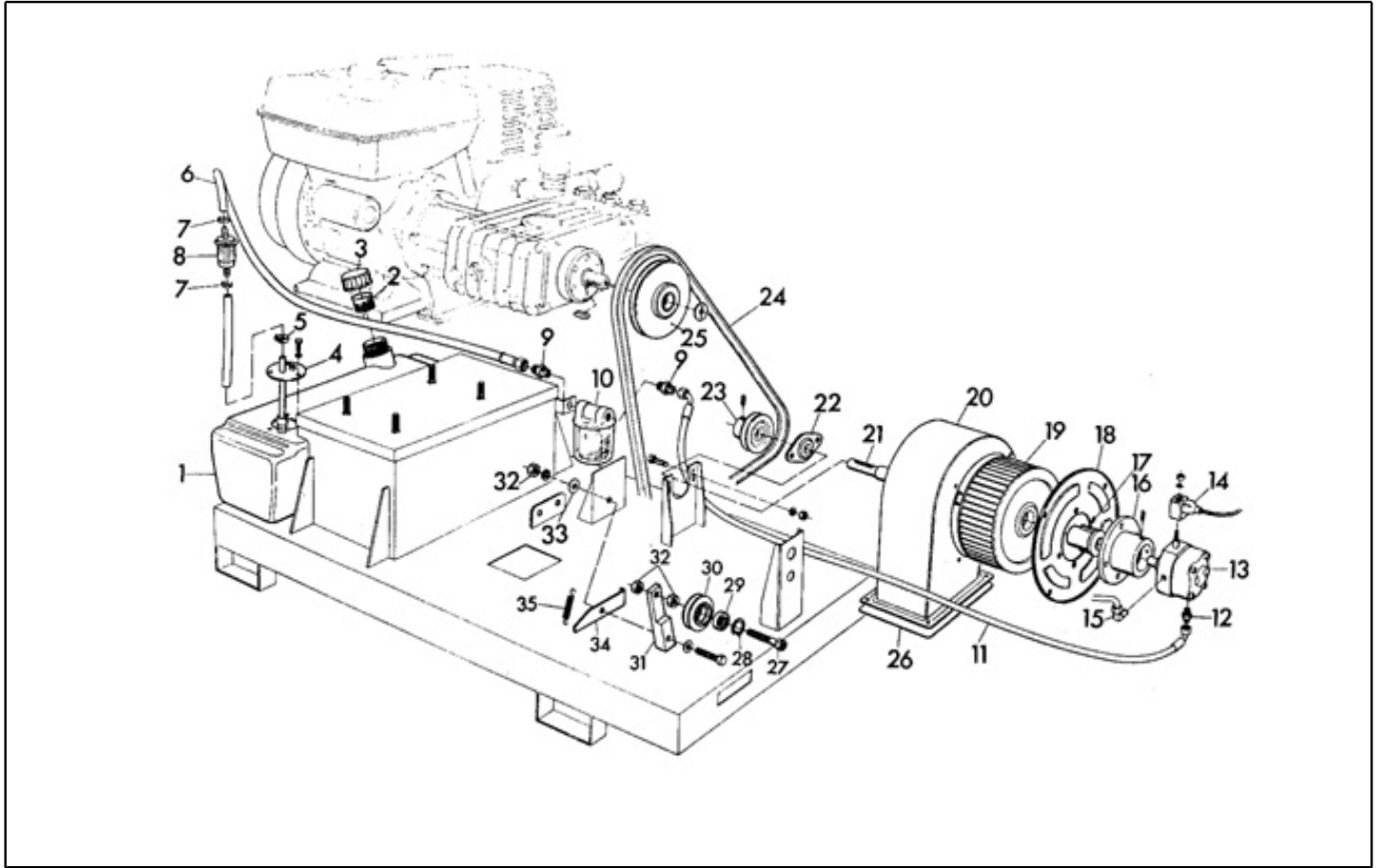
Ref. Part n.	Cust. part n.	Description	Reference	Price
KTRI10643		KIT P 8- 1	0009 0010 0011 0012 0013 0014 0016	--
KTRI19599		KIT P 8- 3	0010 0011 0012 0013	--
KTRI26689		KIT P 7- 9	0071 0072 0073	--
KTRI26690		KIT P 6- 8	0069 0070	--



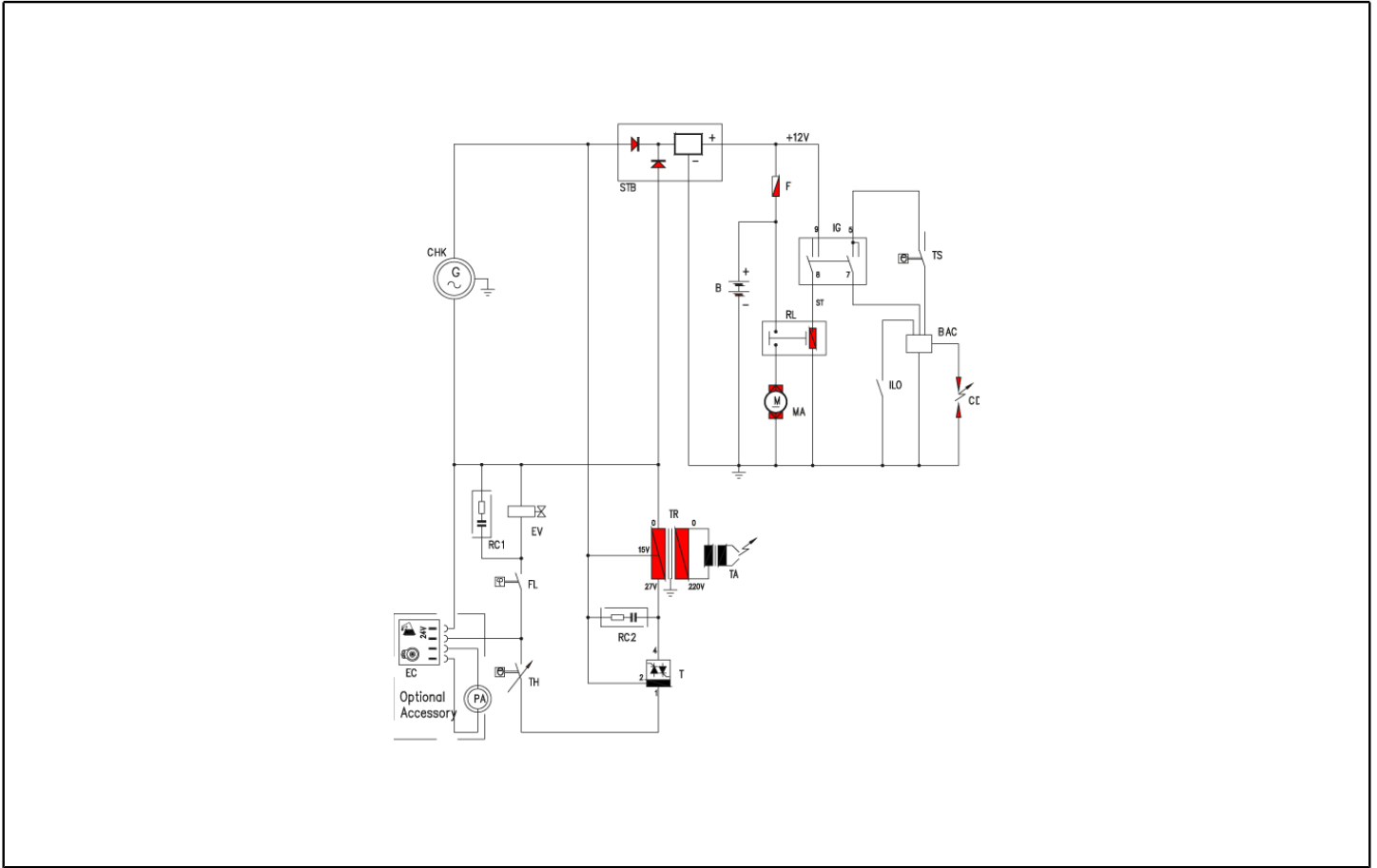
Ref. K	Part n.	Customer part n.	Description	Quantity	Validity		Price
					From	To	
0001	MECV35336	00035336	CABLE A.T. 9.8-23KOHM/M L= 750P	2,00			--
0003 S	MECA12525	00012525	ELECTRODE FUT	1,00			--
0004 S	MFVR18226	00018226	ELECTR.HOLDER FUT 3°V	1,00			--
0005 S	VTVT01522	00001522	SCREW EI-ST 6X10 UNI5929	1,00			--
0006 S	VTAE22633	00022633	SEEGER 0.4 X18,30X10,5	1,00			--
0007 S	MPVR18228	00018228	OIL WARN-LIGHT D.17 X3	1,00			--
0008 S	RCVR08954	00008954	ELBOW 1/8"-4 B5	1,00			--
0009	TBCO27088	00027088	DIESEL HOSE D. 4 SKID F.	1,00		19/01/2015	--
0009	TBCO40018		DIESEL HOSE D. 4 SKID F. INX	1,00	20/01/2015		--
0010 S	RCDS07642	00007642	NOZZLE HOLDER FUT	1,00			--
0011	UGBR06389	00006389	BURNER NOZZLE 1.50 60 B	1,00		31/10/2012	--
0011	UGBR22576	00022576	BURNER NOZZLE 1.35 60 S	1,00	01/11/2012		--
0013	LAFN07676	00007676	BOILER COVER SE FUT INX	1,00	21/10/1999		--
0014	VTDD05907	00005907	NUT M 6 CIE.	6,00	21/10/1999		--
0015	VTRS00503	00000503	WASHER D. 6 TE UNI 6798	15,00	21/10/1999		--
0016	LAFN08042	00008042	BAFFLE FUT	1,00	21/10/1999		--
0017	LAFN09096	00009096	SPACER 10X28,5	3,00	21/10/1999		--
0018	LAFN08072	00008072	BOILER COVER SI FUT INX	1,00	21/10/1999		--
0019	VTDD00487	00000487	NUT M 6 OT UNI 5588	3,00	21/10/1999		--
0020	LAFN07674	00007674	EXT. CYLINDER FUT INX	1,00	21/10/1999		--
0021	LAFN07969	00007969	INT. CYLINDER FUT INX	1,00	21/10/1999	31/10/2007	--
0021 S	LAFN40077		INT. CYLINDER FUT 2V.INX	1,00	01/11/2007		--
0022	LAFN06313	00006313	DOUBLE COIL 3/8 FUTURA P	1,00	21/10/1999		--
0023	LAFN12715	00012715	BOILER BOTTOM FUT	1,00	21/10/1999	31/10/2007	--
0023 S	LAFN40038		BOILER BOTTOM FUT. 2V. BK	1,00	01/11/2007		--
0025	GUGO09094	00009094	GASKET FUT	1,00	21/10/1999		--
0026	GUGO00409	00000409	JOINT 15X3	1,05	21/10/1999		--
0027	RCDS00561	00000561	RING NUT 1/2 OTT	2,00	21/10/1999		--
0036 S	GUVR35205	00035205	GASKET D. 7 FIB.	1,02	21/10/1999		--
0037	LAFN11708	00011708	METAL STRIP FUT	1,00	21/10/1999	31/10/2007	--
0038 S	LAFN07641	00007641	PLATE INX	1,00			--
0039 S	ITTE48421	00048421	BOTTOM FUT C.TE	1,00	01/11/2007		--



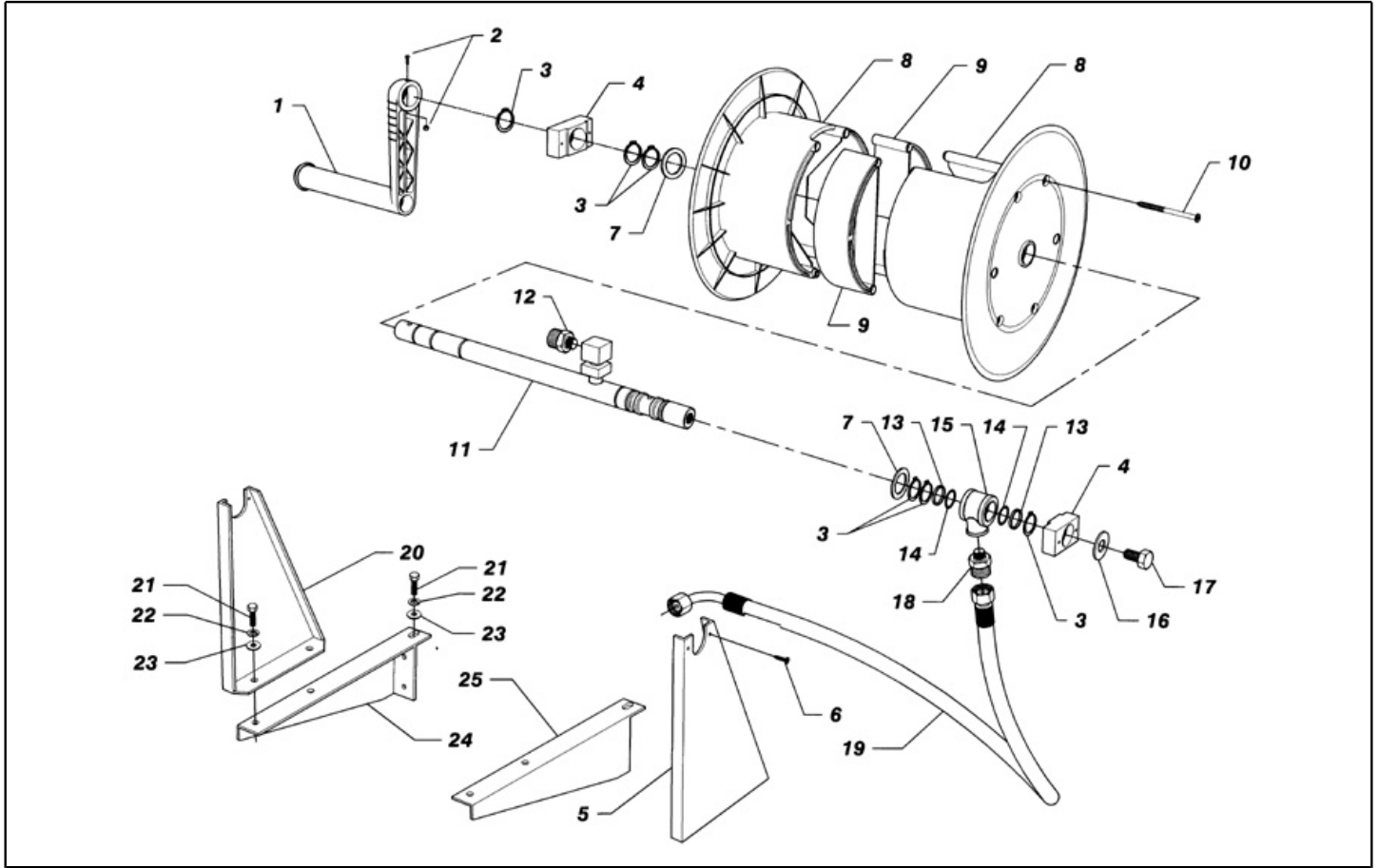
Ref. Part n.	Cust. part n.	Description	Reference	Price
KTRI12533		KIT P 19- 4	0003 0004 0006 0007 0038	--
KTRI14147		KIT P 19- 1	0003 0004 0005 0006 0007 0008 0010 0038	--
9999 KTRI40022		KIT PX 1- 36 FT.30MT	0021 0023 0036 0039	--



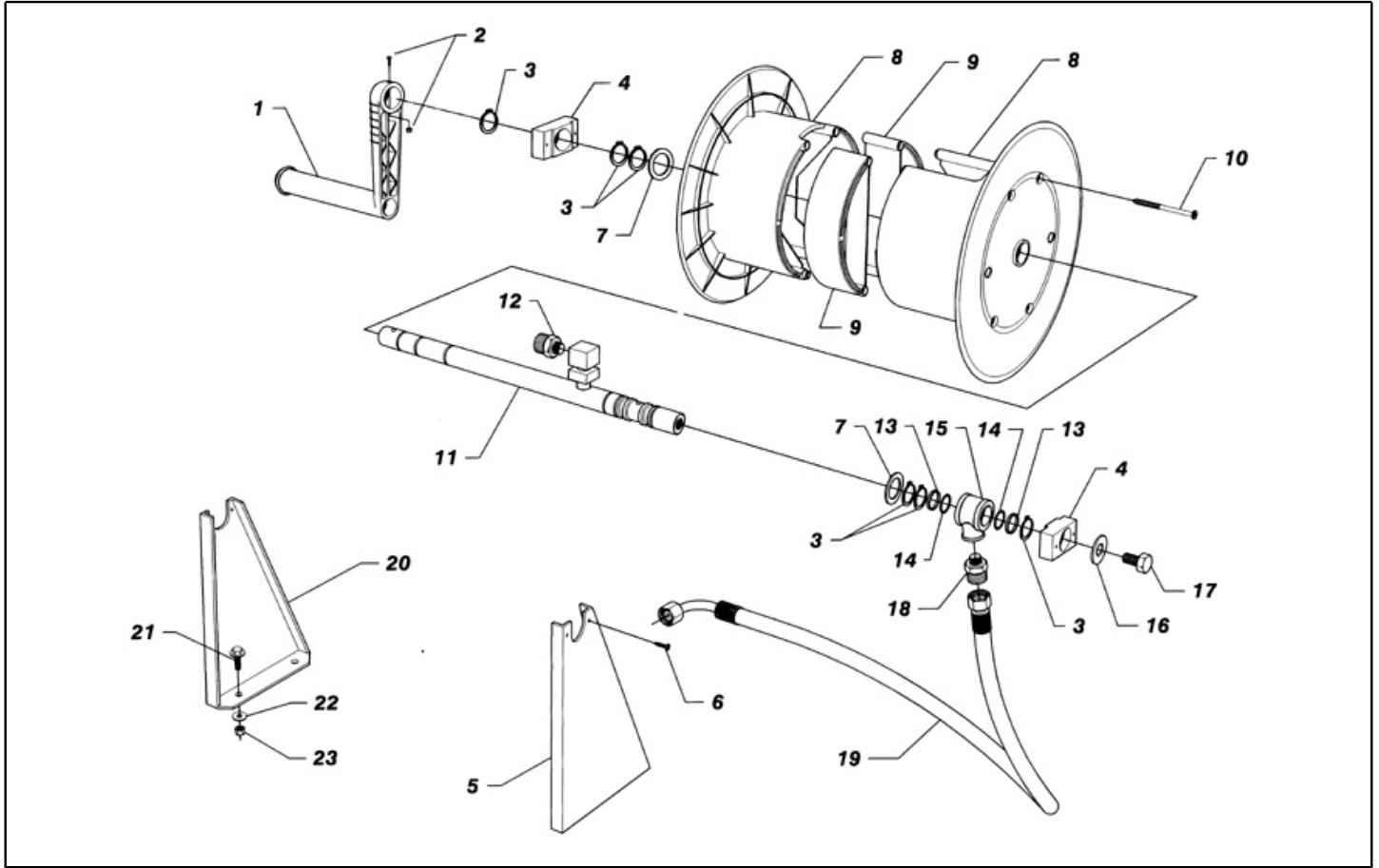
Ref. K	Part n.	Customer part n.	Description	Quantity	Validity		Price
					From	To	
0001	MPVR08435	00008435	FUEL TANK FUT	1,00			--
0002	FTCO17698	00017698	FILTER 121X54	1,00			--
0003	MPVR20418	00020418	TANK CAP KSM	1,00			--
0004	RCDS25731	00025731	FUEL UNIT SCN	1,00			--
0005	FSVR15255	00015255	CLAMP D. 8-12	1,00			--
0006	TBBP08667	00008667	L.P. HOSE L=870 1/4F 0°	1,00			--
0007	FSVR11197	00011197	CLAMP D.I. 11 13315	2,00			--
0008	FTCO10912	00010912	FILTER FB 13/T NYL.	1,00			--
0009	RCDS00608	00000608	NIPPLE 3/8 - 1/4 SV	2,00			--
0010	FTCO26816	00026816	FILTER G. 3/8 SP 0.1	1,00			--
0011	TBBP15891	00015891	L.P. HOSE L=680 1/4F90°- 90° 180°	1,00			--
0012	RCDS00607	00000607	NIPPLE 1/4 - 1/4 SV	1,00			--
0013	PPGS18980	00018980	FUEL PUMP DLT VM1RL15	1,00		09/01/2005	--
0013	PPGS40002		FUEL PUMP DNF BFA 01R3R1	1,00	20/04/2011	12/12/2012	--
0013	PPGS48503	00048503	FUEL PUMP DLT ALLUM. A1R1	1,00	13/12/2012		--
0013	PPGS48503	00048503	FUEL PUMP DLT ALLUM. A1R1	1,00	10/01/2005	19/04/2011	--
0014	MEBE10792	00010792	COIL DLT 24-50	1,00			--
0016	LAFN26814	00026814	FLANGE SKID F.	1,00			--
0017	FGGT10791	00010791	JOINT VEDI 36516	1,00			--
0018	LAFN10272	00010272	MOTOR PLATE CB 3	1,00			--
0019	VEVR14189	00014189	FAN F.165 B D.137X80	1,00			--
0020	LAFN14188	00014188	SCROLL F.165 B	1,00			--
0021	LAFN26813	00026813	SHAFT SKID F.	1,00			--
0022	CUVR12061	00012061	BALL BEARING UBPFLL203	1,00	14/01/2000	20/10/2006	--
0022	CUVR75815		BALL BEARING UBPFLL203	1,00	21/10/2006		--
0023	MTPL15048	00015048	PULLEY 60 -1Z D.17	1,00	14/01/2000		--
0024	MTCG27084	00027084	BELT SPZ 962	1,00			--
0025	MTPL21690	00021690	PULLEY 140-1Z D.24	1,00			--
0026	GUGO11214	00011214	GASKET FLL	1,00			--
0027	LAFN27198	00027198	PIN SKID F.	1,00			--
0028	VTAE09367	00009367	CIRCLIP D. 28 UNI 7437	1,00			--
0029	CUVR15159	00015159	BALL BEARING 6001-2RS1	1,00			--
0030	MTPL15332	00015332	PULLEY 50 -1Z	1,00			--
0031	LAFN28879	00028879	BELT-STR.LEVER SKID F.	1,00			--
0032	VTDD01682	00001682	NUT M12 ZC UNI 5588	3,00			--
0033	VTRS15918	00015918	WASHER D.12 INX UNI 6593	1,00			--
0034	LAFN28883	00028883	BRACKET SKID F.	1,00			--
0035	MLML12055	00012055	SPRING TR144 D. 12 X41 F.1.5	1,00			--
9999	FTCO17886	00017886	FILTER VM1 RL2 H.22	1,00			--
9999	GUVR02546	00002546	GASKET COVER	1,00			--



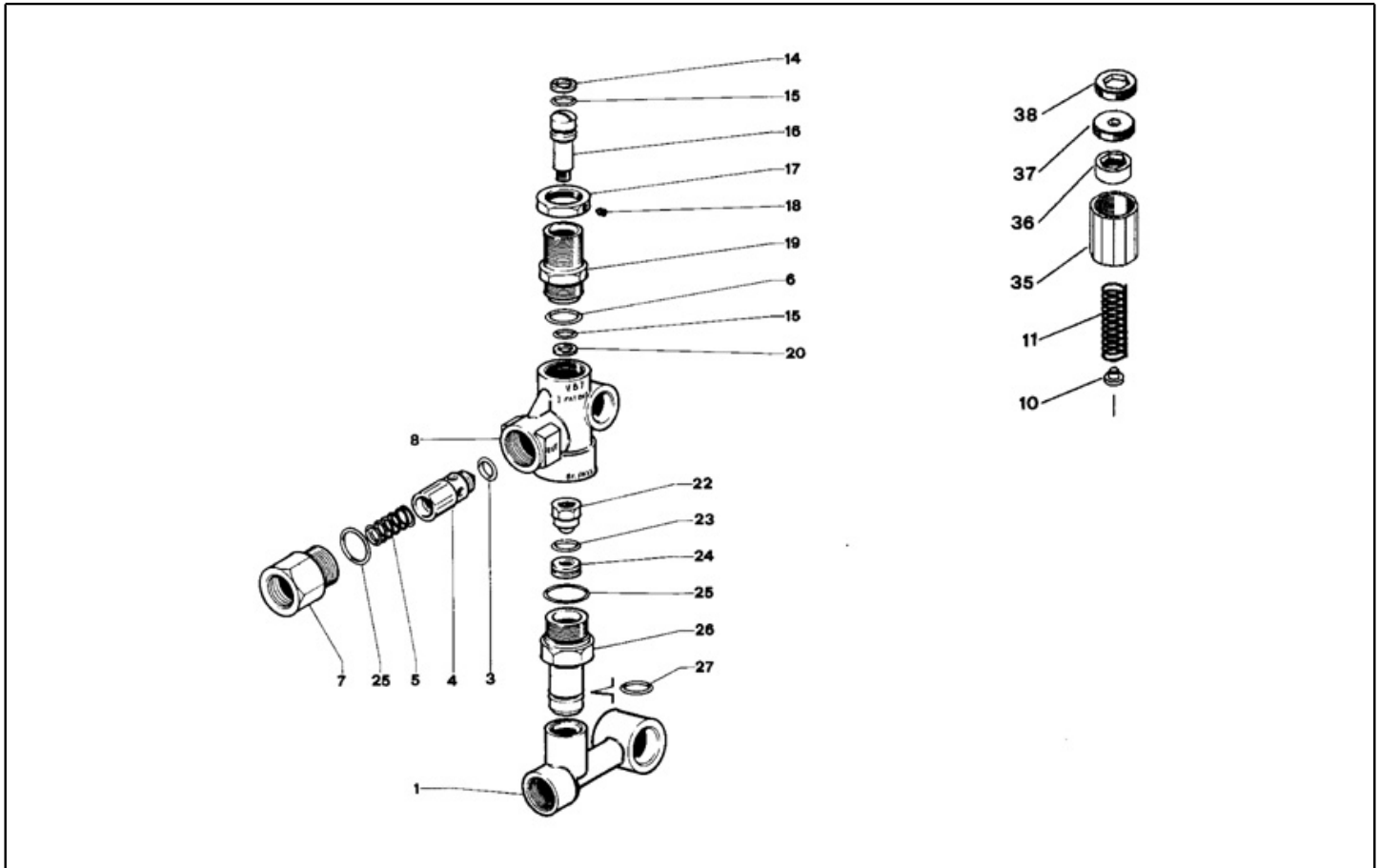
Ref. K	Part n.	Customer part n.	Description	Quantity	Validity		Price
					From	To	
	ETET32307	00032307	LABEL T.- PE CE	1,00		04/04/2012	--
B	BAAC06153	00006153	BATTERY 60 AH 12V 300A	1,00			--
T	METY26805	00026805	TIMER 12-20V AC 3S.	1,00			--
EC	MECE28054	00028054	ELEC.CIRCUIT D.NM1 24V	1,00			--
EV	MEBE37515	00037515	COIL DLT 24V 95HZ F84	1,00	10/02/2000	09/01/2005	--
EV	MEBE43704	00043704	COIL DNF 24-50	1,00	20/04/2011	12/12/2012	--
EV	MEBE88628		COIL DLT 24V-95HZ NF84	1,00	13/12/2012		--
EV	MEBE88628		COIL DLT 24V-95HZ NF84	1,00	10/01/2005	19/04/2011	--
FL	MEPF06949	00006949	FLOW SWITCH ST5 L=1.300	1,00			--
IG	MECI31934	00031934	SWITCH GX 340	1,00			--
PA	MEPD25575	00025575	DESCALING PUMP NME-1 24V CPL.	1,00			--
RC	MECE15873	00015873	RESISTANCE RC 1MF 120 OHM	2,00	10/02/2000		--
TA	METR34464	00034464	TRANSFORMER 230V-50HZ 2X4000V SP4 CM	1,00			--
TH	METK26862	00026862	THERMOSTAT 0-150° L=1500	1,00			--
TR	METR26644	00026644	TRANSFORMER 90/15VA 230V/15-27V 100HZ	1,00			--
TS	METK34839	00034839	THERMOSTAT 60°C TR/711-N C.1.5	1,00		27/11/2003	--
TS	METK87541	00087541	THERMOSTAT 50°C TG200 C.1.5 C/CNT.SC	1,00	28/11/2003		--



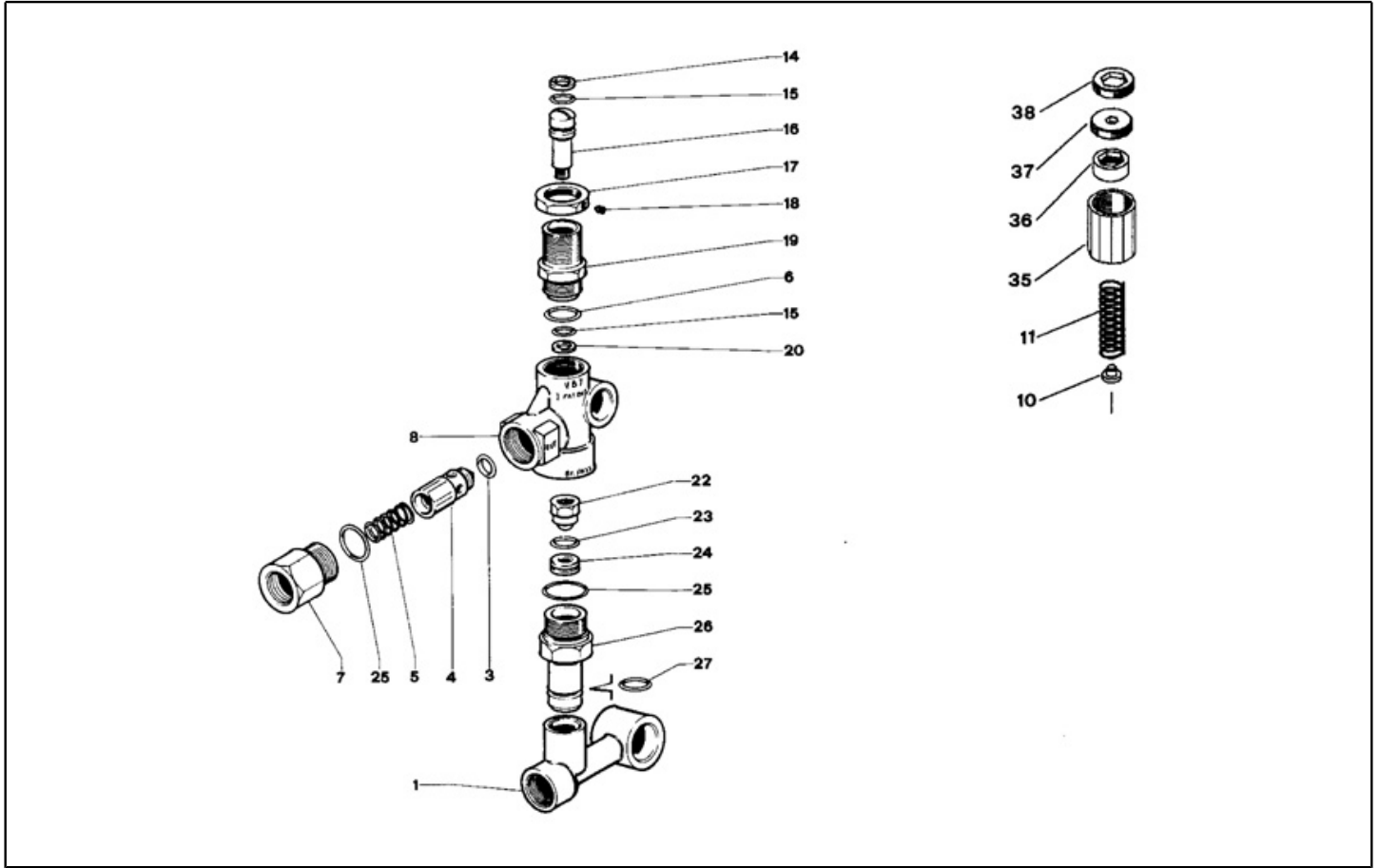
Ref. K	Part n.	Customer part n.	Description	Quantity	Validity		Price
					From	To	
0001	MPVR31495	00031495	HANDLE PRT D. 3.5	1,00			--
0002	VTVT43875	00043875	SCREW TSPEI 4X40 UNI5933	1,00	04/12/2000		--
0003	VTAE33674	00033674	CIRCLIP D. 22 UNI 7435	3,00	03/06/1998		--
0004	MPVR38014	00038014	BLOCK PRT SKID-F NYL	2,00	25/11/1997		--
0005	LAFN26264	00026264	HOSE WIND.SUPP. PRT HS 2°V DX	1,00			--
0006	VTVT29165	00029165	SCREW AF TCB-TC 5 X20 TL	4,00	03/06/1998	09/09/2007	--
0006	VTVT40006		SCREW AF TCB-TC 5 X20 HILO INX	4,00	10/09/2007		--
0007	VTRS04924	00004924	WASHER D.23X 39	2,00	25/11/1997		--
0008	MPVR37152	00037152	HOSE REEL PRT PP	2,00	25/11/1997	30/09/2013	--
0008	MPVR40581		HOSE REEL PRT.ANM PP	2,00	01/10/2013		--
0009	MPVR39257	00039257	SPACER A.T PP	2,00	28/04/1998		--
0010	VTVT39735	00039735	SCREW TCB-TC 5 X80 TL P/PLS	4,00	03/06/1998		--
0011	LAFN39088	00039088	AXLE PRT MGG.	1,00	04/11/2000	31/08/2004	--
0011	LAFN48954	00048954	AXLE PRT MAGG. 2V. 3PZ.	1,00	01/09/2004		--
0012	RCIN10577	00010577	MALE COUPLING 1/4MA	1,00	04/11/2000		--
0013	GUVR37665	00037665	ANTI-EXTR.RING D.17.8X22 X1.5 PTFE	2,00	25/11/1997		--
0014	GUGO01032	00001032	O-RING D. 17.13 X 2.62 NBR 70SH	2,00	25/11/1997		--
0015	RCDS37667	00037667	BLOCK PRT OT.	1,00	04/11/2000	04/06/2010	--
0015	RCDS89862		BLOCK PRT-P237 G3/8 OT.	1,00	05/06/2010		--
0016	VTRS00514	00000514	WASHER D.10X30X11.4	1,00	25/11/1997		--
0017	VTVT00454	00000454	SCREW TE 10X16	1,00	25/11/1997		--
0018	RCDS00608	00000608	NIPPLE 3/8 - 1/4 SV	1,00	04/11/2000	04/06/2010	--
0018	RCDS00610	00000610	NIPPLE 3/8 - 3/8 SV	1,00	05/06/2010		--
0019	TBAP37668	00037668	HOSE-FITTING 3/ 8 L=550 R2 3/8F-M22 90	1,00	10/02/1999		--
0020	LAFN26266	00026266	HOSE WIND.SUPP. PRT HS 2°V SX	1,00			--
0021	VTDD04369	00004369	NUT M 4 TEF UNI 7473	1,00	04/12/2000		--
0021	VTVT15143	00015143	SCREW TE 6X16 UNI5739	10,00			--
0022	VTRS15144	00015144	WASHER D. 6 INX GRW UNI 1751	10,00			--
0023	VTRS13945	00013945	WASHER D. 6X18 INX UNI 6593	10,00			--
0024	LAFN26768	00026768	RIGHT SUPPORT SKID F.	1,00			--
0025	LAFN26770	00026770	LEFT SUPPORT SKID F.	1,00			--



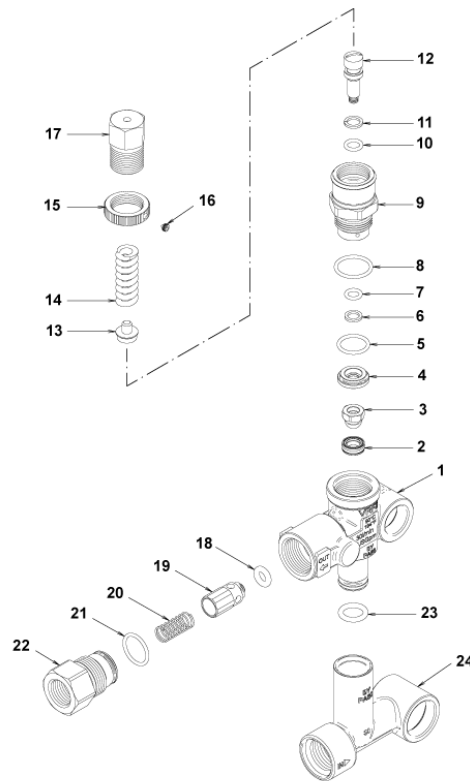
Ref. K	Part n.	Customer part n.	Description	Quantity	Validity		Price
					From	To	
0001	MPVR31495	00031495	HANDLE PRT D. 3.5	1,00			--
0002	VTVT43875	00043875	SCREW TSPEI 4X40 UNI5933	1,00	04/12/2000		--
0003	VTAE33674	00033674	CIRCLIP D. 22 UNI 7435	3,00	03/06/1998		--
0003	VTAE33674	00033674	CIRCLIP D. 22 UNI 7435	2,00	11/12/2001		--
0004	MPVR38014	00038014	BLOCK PRT SKID-F NYL	2,00	25/11/1997		--
0005	LAFN26264	00026264	HOSE WIND.SUPP. PRT HS 2°V DX	1,00			--
0006	VTVT29165	00029165	SCREW AF TCB-TC 5 X20 TL	4,00	03/06/1998	09/09/2007	--
0006	VTVT40006		SCREW AF TCB-TC 5 X20 HILO INX	4,00	10/09/2007		--
0007	VTRS04924	00004924	WASHER D.23X 39	1,00	25/11/1997		--
0008	MPVR37152	00037152	HOSE REEL PRT PP	2,00	25/11/1997	30/09/2013	--
0008	MPVR40581		HOSE REEL PRT.ANM PP	2,00	01/10/2013		--
0009	MPVR39257	00039257	SPACER A.T PP	2,00	28/04/1998		--
0010	VTVT39735	00039735	SCREW TCB-TC 5 X80 TL P/PLS	4,00	03/06/1998		--
0011	LAFN39088	00039088	AXLE PRT MGG.	1,00	04/11/2000	31/08/2004	--
0011	LAFN48954	00048954	AXLE PRT MAGG. 2V. 3PZ.	1,00	01/09/2004		--
0012	VTDD04369	00004369	NUT M 4 TEF UNI 7473	1,00	04/12/2000		--
0012	RCIN10577	00010577	MALE COUPLING 1/4MA	1,00	04/11/2000		--
0013	GUVR37665	00037665	ANTI-EXTR.RING D.17.8X22 X1.5 PTFE	2,00	25/11/1997		--
0014	GUGO01032	00001032	O-RING D. 17.13 X 2.62 NBR 70SH	2,00	25/11/1997		--
0015	RCDS37667	00037667	BLOCK PRT OT.	1,00	04/11/2000	04/06/2010	--
0015	RCDS89862		BLOCK PRT-P237 G3/8 OT.	1,00	05/06/2010		--
0016	VTRS00514	00000514	WASHER D.10X30X11.4	1,00	25/11/1997		--
0017	VTVT00454	00000454	SCREW TE 10X16	1,00	25/11/1997		--
0018	RCDS00608	00000608	NIPPLE 3/8 - 1/4 SV	1,00	04/11/2000	04/06/2010	--
0018	RCDS00610	00000610	NIPPLE 3/8 - 3/8 SV	1,00	05/06/2010		--
0019	TBAP37668	00037668	HOSE-FITTING 3/ 8 L=550 R2 3/8F-M22 90	1,00	31/01/1998		--
0020	LAFN26266	00026266	HOSE WIND.SUPP. PRT HS 2°V SX	1,00			--
0021	VTVT15143	00015143	SCREW TE 6X16 UNI5739	4,00			--
0022	VTRS13945	00013945	WASHER D. 6X18 INX UNI 6593	4,00			--
0023	VTDD07887	00007887	NUT M 6 SERPRESS	4,00			--



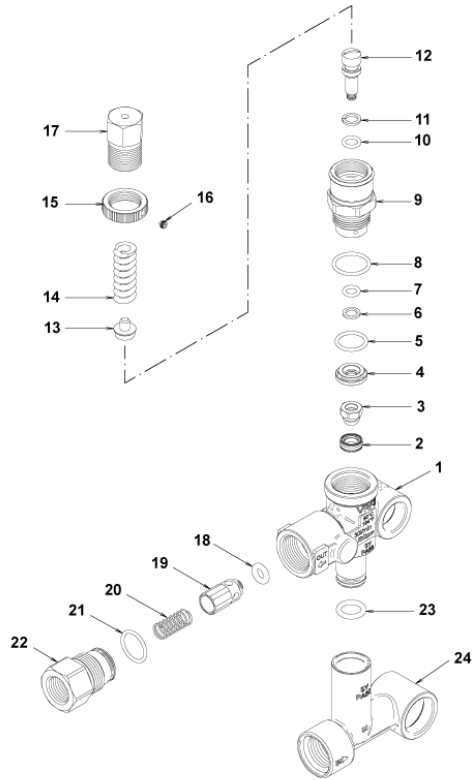
Ref. K	Part n.	Customer part n.	Description	Quantity	Validity		Price
					From	To	
0001	PVVR24912	00024912	CONNECTOR G1/2 VB 7	1,00			--
0003	S GUGO06824	00006824	O-RING D. 6 X 3 NBR 70SH	1,00			--
0004	PVVR29750	00029750	PIN VB 7 2V.	1,00			--
0005	MLML29751	00029751	SPRING VB 7	1,00			--
0006	S GUGO24913	00024913	O-RING D. 17.17 X 1.78 NBR 90SH	1,00			--
0007	PVVR29752	00029752	CONNECTOR VB 7 3/8F 2V.	1,00			--
0008	PVVR29753	00029753	VALVE BODY VB 7 2V.	1,00			--
0010	PVVR21510	00021510	SUPPORT AISI 430	1,00			--
0011	MLML10727	00010727	SPRING D. 3	1,00			--
0014	S GUVR24920	00024920	ANTI-EXTR.RING D. 11 X 6.4	1,00			--
0015	S GUGO24916	00024916	O-RING D. 6.02 X 2.62 NBR 90SH	2,00			--
0016	PVVR24917	00024917	SMALL PISTON VB 7 +P.BACK	1,00			--
0017	PVVR12471	00012471	RING NUT VPO	1,00			--
0018	VTVT24918	00024918	SCREW EI-ST 4X 4 UNI5927	1,00			--
0019	PVVR38740	00038740	CONNECTOR VB7-RG.	1,00			--
0020	S GUVR24915	00024915	ANTI-EXTR.RING D. 11.6 X 7	1,00			--
0022	S PVVR24921	00024921	COUPLING M6 INX	1,00			--
0023	S GUGO24922	00024922	O-RING D. 11.11 X 1.78 NBR 90SH	1,00			--
0024	S PVVR24923	00024923	BALL SEAT D. 8.5 + O-RING	1,00			--
0025	S GUGO24924	00024924	O-RING D. 18.77 X 1.78 NBR 90SH	2,00			--
0026	PVVR24926	00024926	CONNECTOR VB 7 L=24	1,00			--
0027	GUGO12714	00012714	O-RING D. 10.3 X 2.4 VIT 70SH	1,00			--
0035	PVVR38736	00038736	CAP VB7-RG.	1,00			--
0036	PVVR38739	00038739	RING NUT VB7-RG.	1,00			--
0037	PVVR38738	00038738	REGISTER VB7-RG.	1,00			--
0038	PVVR38737	00038737	CLAMP VB7-RG.	1,00			--



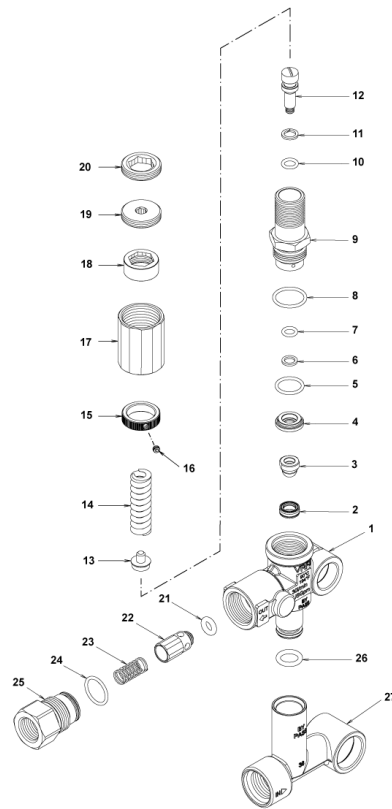
Ref. Part n.	Cust. part n.	Description	Reference	Price
KTRI26772	KIT P 14- 35		0003 0006 0014 0015 0020 0023 0024 0025 0022	--



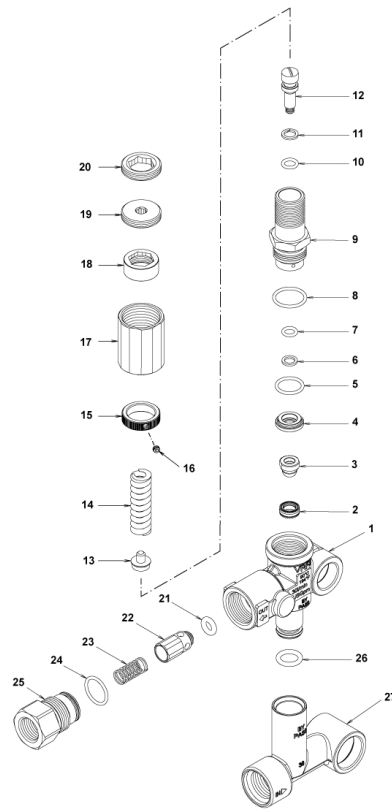
Ref. K	Part n.	Customer part n.	Description	Quantity	Validity		Price
					From	To	
0001	PVVR40362		VALVE BODY VRF2	1,00			--
0002	S PVVR40363		VALVE SEAT MV124 +OR	1,00			--
0003	S PVVR40364		COUPLING MV124	1,00			--
0004	S PVVR40365		SPACER MV124	1,00			--
0005	S GUGO12322	00012322	O-RING D. 14 X 1.78 NBR 90SH	1,00			--
0006	S GUVR40072		ANTI-EXTR.RING D. 6.5X 9.4	1,00			--
0007	S GUGO83861		O-RING D. 6.07 X 1.78 NBR 90SH	1,00			--
0008	S GUGO24913	00024913	O-RING D. 17.17 X 1.78 NBR 90SH	1,00			--
0009	S PVVR40366		CONNECTOR VRF2 D.10	1,00			--
0010	S GUGO03500	00003500	O-RING D. 6.75 X 1.78 NBR 70SH	1,00			--
0011	S GUVR40073		ANTI-EXTR.RING D. 7.1X10 X1.2 TBT	1,00			--
0012	S PVVR40367		SMALL PISTON D.10 VRF2	1,00			--
0013	PVVR40368		SPRING PLATE MV124 25B	1,00			--
0014	MLML40027		SPRING D. 3.0/6.0 X38.85	1,00			--
0015	PVVR40369		RING NUT MV167.09	1,00			--
0016	VTVT89696		SCREW EI-ST 4X 4 UNI5927 ZC	1,00			--
0017	PVVR40370		CAP VRF2 M18X1	1,00			--
0018	S GUGO46053	00046053	O-RING D. 6 X 3 NBR 90SH	1,00			--
0019	S PVVR40349		COUPLING VRT3	1,00			--
0020	S MLML40026		SPRING VRT3	1,00			--
0021	S GUGO12321	00012321	O-RING D. 15.6 X 1.78 NBR 90SH	1,00			--
0022	PVVR40350		CONNECTOR VRT3 G 3/8F	1,00			--
0023	GUGO11225	00011225	O-RING D. 10.78 X 2.62 NBR 70SH	1,00			--
0024	PVVR40371		CONNECTOR VRF2.38	1,00			--



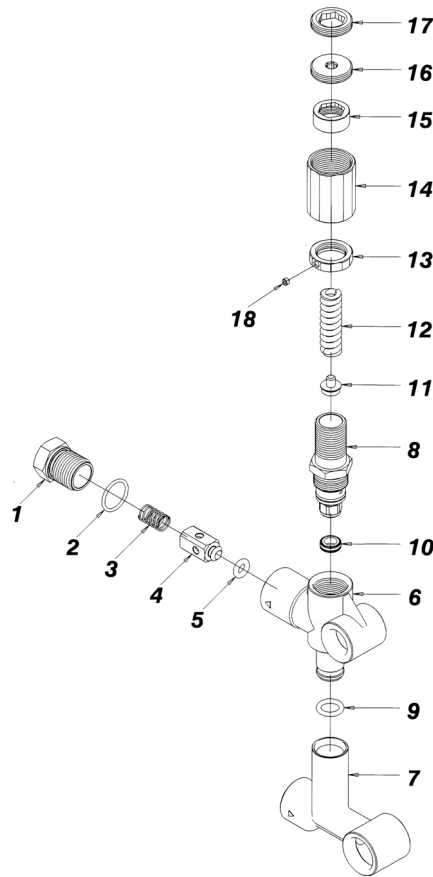
Ref. Part n.	Cust. part n.	Description	Reference	Price
KTRI40236		KIT P 14-103 VRF2	0002 0003 0004 0005 0006 0007 0008 0009 0010 0011 0012 0018 0019 0020 0021	--
KTRI40237		KIT P 14-104 SEAL VRF2	0002 0003 0005 0006 0007 0008 0010 0011 0018 0021	--



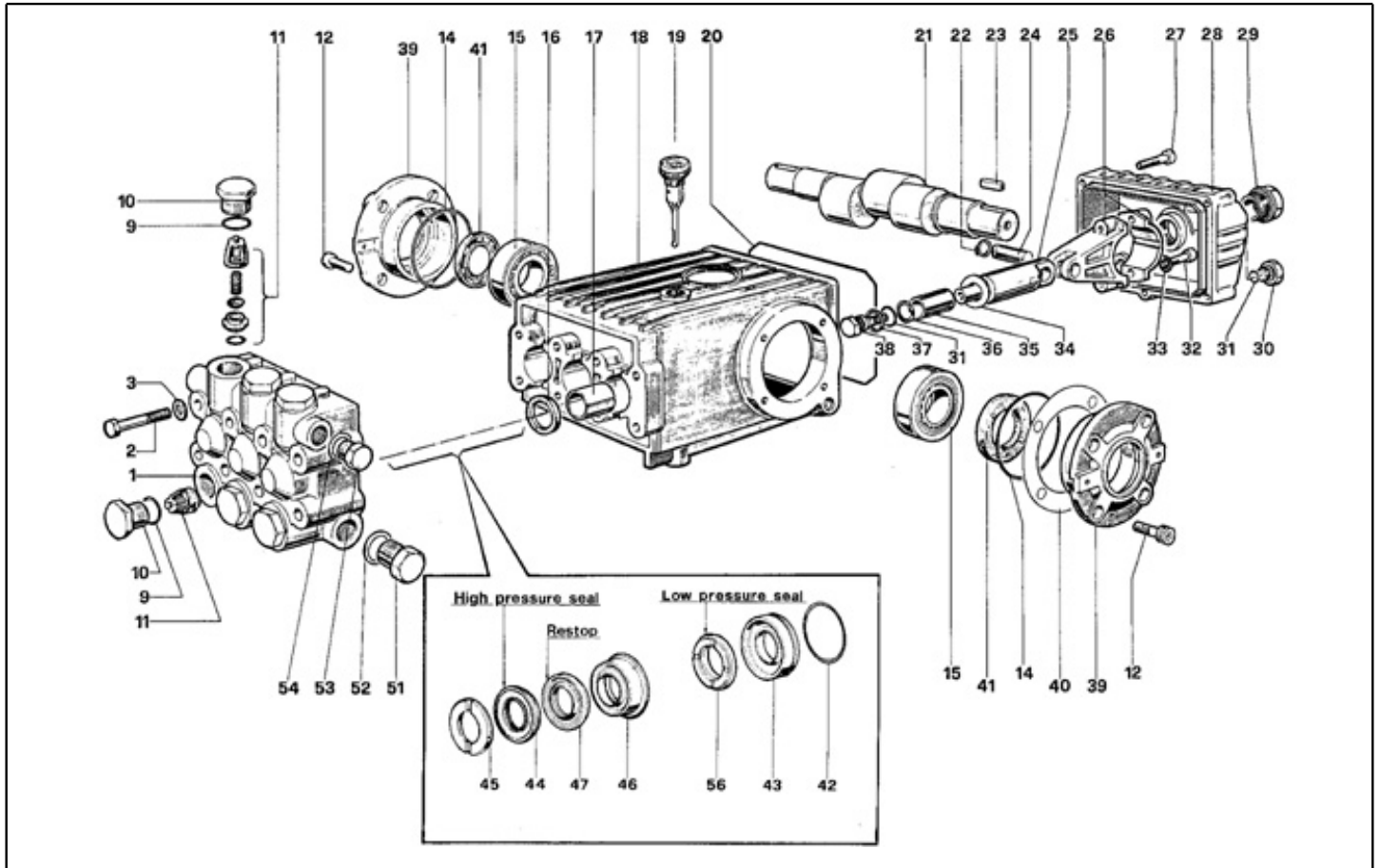
Ref. K	Part n.	Customer part n.	Description	Quantity	Validity		Price
					From	To	
0001	PVVR40362		VALVE BODY VRF2	1,00			--
0002	S PVVR40363		VALVE SEAT MV124 +OR	1,00			--
0003	S PVVR40364		COUPLING MV124	1,00			--
0004	S PVVR40365		SPACER MV124	1,00			--
0005	S GUGO12322	00012322	O-RING D. 14 X 1.78 NBR 90SH	1,00			--
0006	S GUVR40072		ANTI-EXTR.RING D. 6.5X 9.4	1,00			--
0007	S GUGO83861		O-RING D. 6.07 X 1.78 NBR 90SH	1,00			--
0008	S GUGO24913	00024913	O-RING D. 17.17 X 1.78 NBR 90SH	1,00			--
0009	S PVVR40388		CONNECTOR VRF2 RG.165 56A	1,00			--
0010	S GUGO03500	00003500	O-RING D. 6.75 X 1.78 NBR 70SH	1,00			--
0011	S GUVR40073		ANTI-EXTR.RING D. 7.1X10 X1.2 TBT	1,00			--
0012	S PVVR40367		SMALL PISTON D.10 VRF2	1,00			--
0013	S PVVR40368		SPRING PLATE MV124 25B	1,00			--
0014	S MLML47987	00047987	SPRING D. 3.25X41.1 MV 625	1,00			--
0015	S PVVR40369		RING NUT MV167.09	1,00			--
0016	S VTVT89696		SCREW EI-ST 4X 4 UNI5927 ZC	1,00			--
0017	S PVVR47989	00047989	CAP MV 625 REG.	1,00			--
0018	S PVVR47990	00047990	RING NUT MV 625 REG.	1,00			--
0019	S PVVR47991	00047991	REGISTER MV 625 REG.	1,00			--
0020	S PVVR47992	00047992	CLAMP MV 625 REG.	1,00			--
0021	S GUGO46053	00046053	O-RING D. 6 X 3 NBR 90SH	1,00			--
0022	PVVR40349		COUPLING VRT3	1,00			--
0023	MLML40026		SPRING VRT3	1,00			--
0024	S GUGO12321	00012321	O-RING D. 15.6 X 1.78 NBR 90SH	1,00			--
0025	PVVR40350		CONNECTOR VRT3 G 3/8F	1,00			--
0026	GUGO11225	00011225	O-RING D. 10.78 X 2.62 NBR 70SH	1,00			--
0027	PVVR40371		CONNECTOR VRF2.38	1,00			--



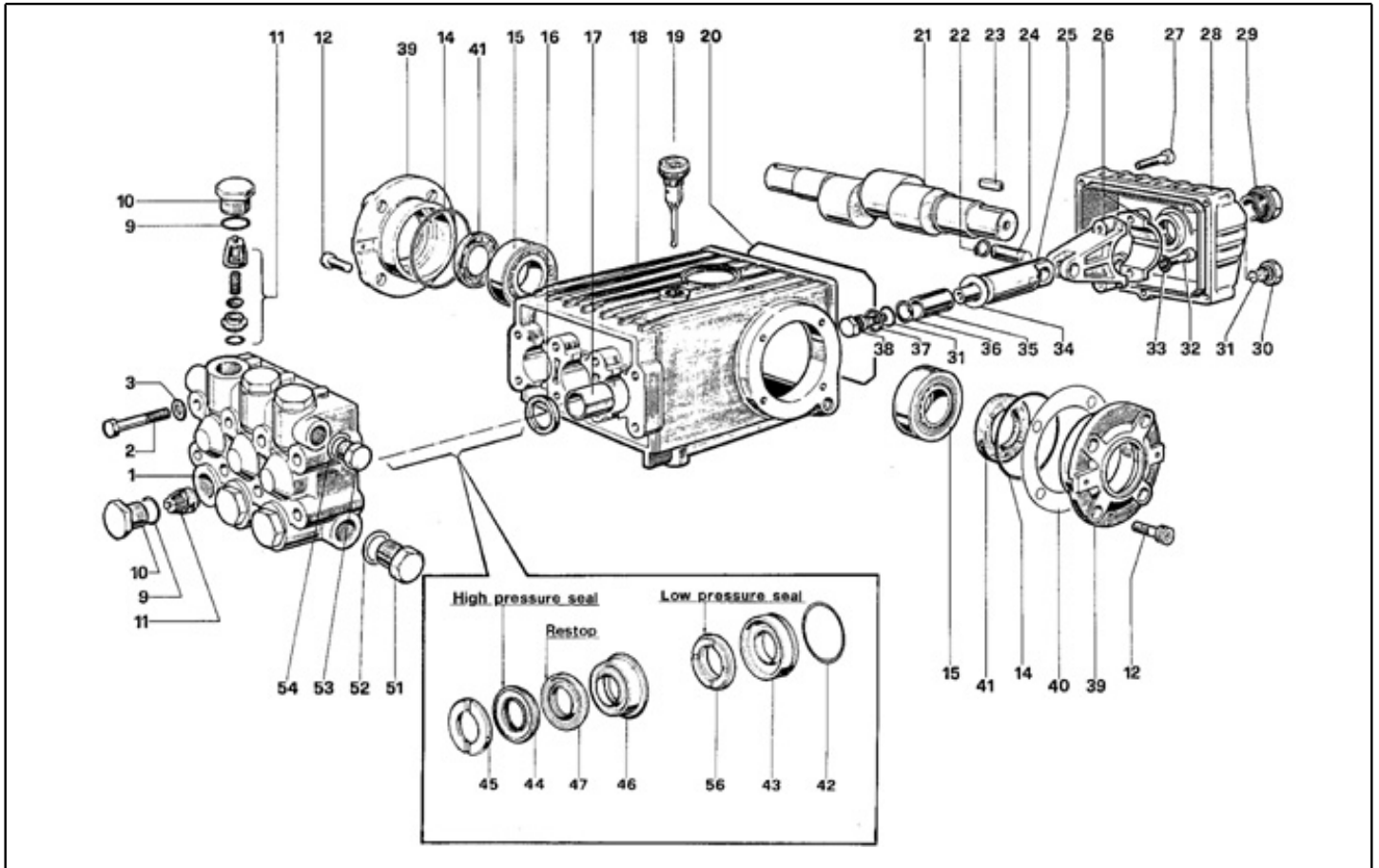
Ref. Part n.	Cust. part n.	Description	Reference	Price
KTRI40237		KIT P 14-104 SEAL VRF2	0002 0003 0005 0006 0007 0008 0010 0011 0021 0024	--
KTRI40256		KIT P 14-105 VRF2 Reg.	0002 0003 0004 0005 0006 0007 0008 0009 0010 0011 0012 0013 0014 0015 0016 0017 0018 0019 0020	--



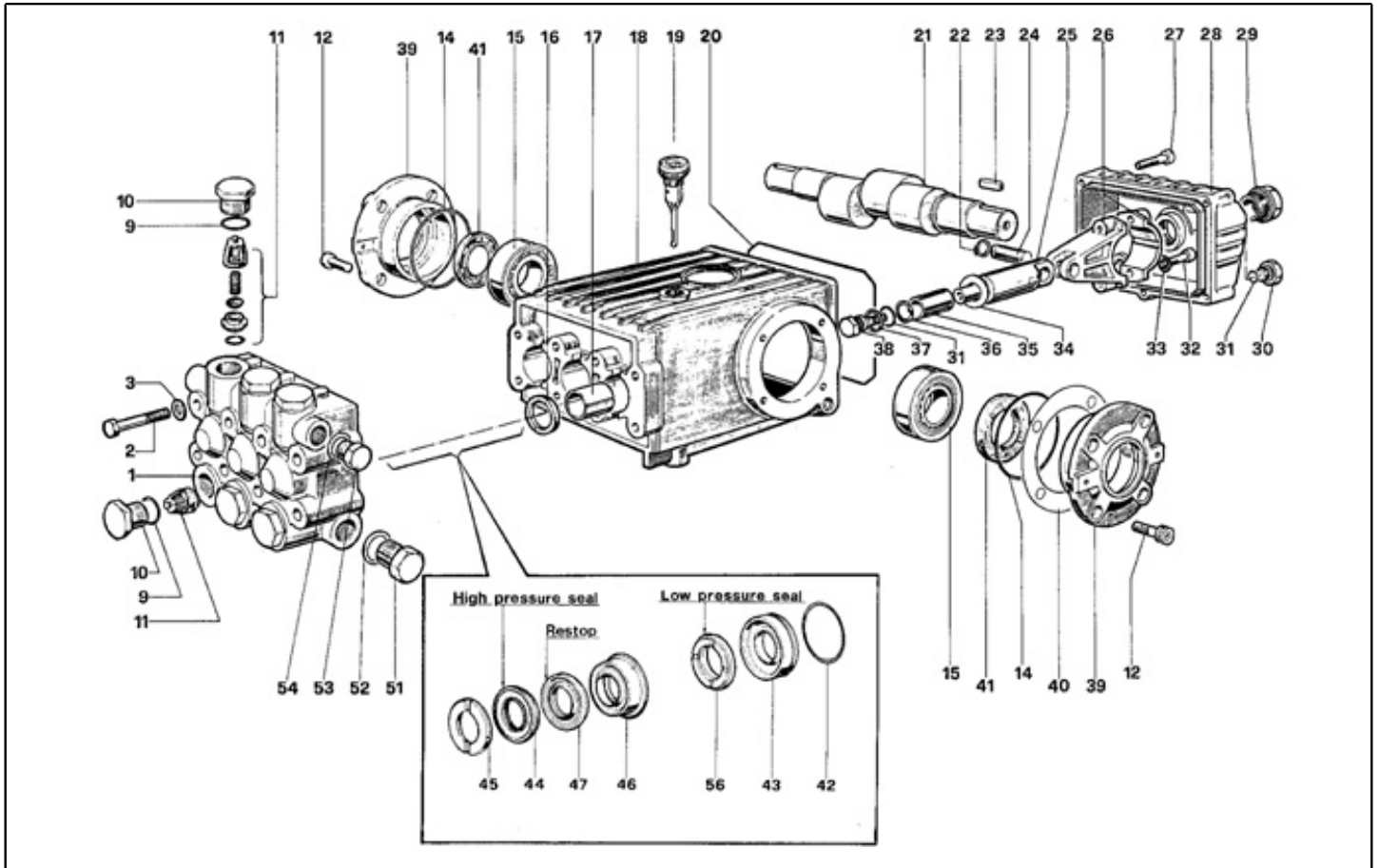
Ref. K	Part n.	Customer part n.	Description	Quantity	Validity		Price
					From	To	
0001	PVVR47977	00047977	CONNECTOR MV625 G 3/8F	1,00			--
0002	GUGO01058	00001058	O-RING D. 17.17 X 1.78 NBR 70SH	1,00			--
0003	MLML47978	00047978	SPRING MV 625	1,00			--
0004	PVVR47979	00047979	PIN MV 625	1,00			--
0005	GUGO46053	00046053	O-RING D. 6 X 3 NBR 90SH	1,00			--
0006	PVVR47980	00047980	VALVE BODY MV 625	1,00			--
0007	PVVR47997	00047997	CONNECTOR MV 625 H.73	1,00			--
0008	PVVR47988	00047988	CONNECTOR MV 625 REG.	1,00			--
0009	GUGO11225	00011225	O-RING D. 10.78 X 2.62 NBR 70SH	1,00			--
0010	PVVR47985	00047985	VALVE SEAT MV 625 + O-RING	1,00			--
0011	PVVR47986	00047986	SPRING PLATE MV 625	1,00			--
0012	MLML47987	00047987	SPRING D. 3.25X41.1 MV 625	1,00			--
0013	PVVR47984	00047984	RING NUT MV 625	1,00			--
0014	PVVR47989	00047989	CAP MV 625 REG.	1,00			--
0015	PVVR47990	00047990	RING NUT MV 625 REG.	1,00			--
0016	PVVR47991	00047991	REGISTER MV 625 REG.	1,00			--
0017	PVVR47992	00047992	CLAMP MV 625 REG.	1,00			--
0018	VTVT24918	00024918	SCREW EI-ST 4X 4 UNI5927	1,00			--



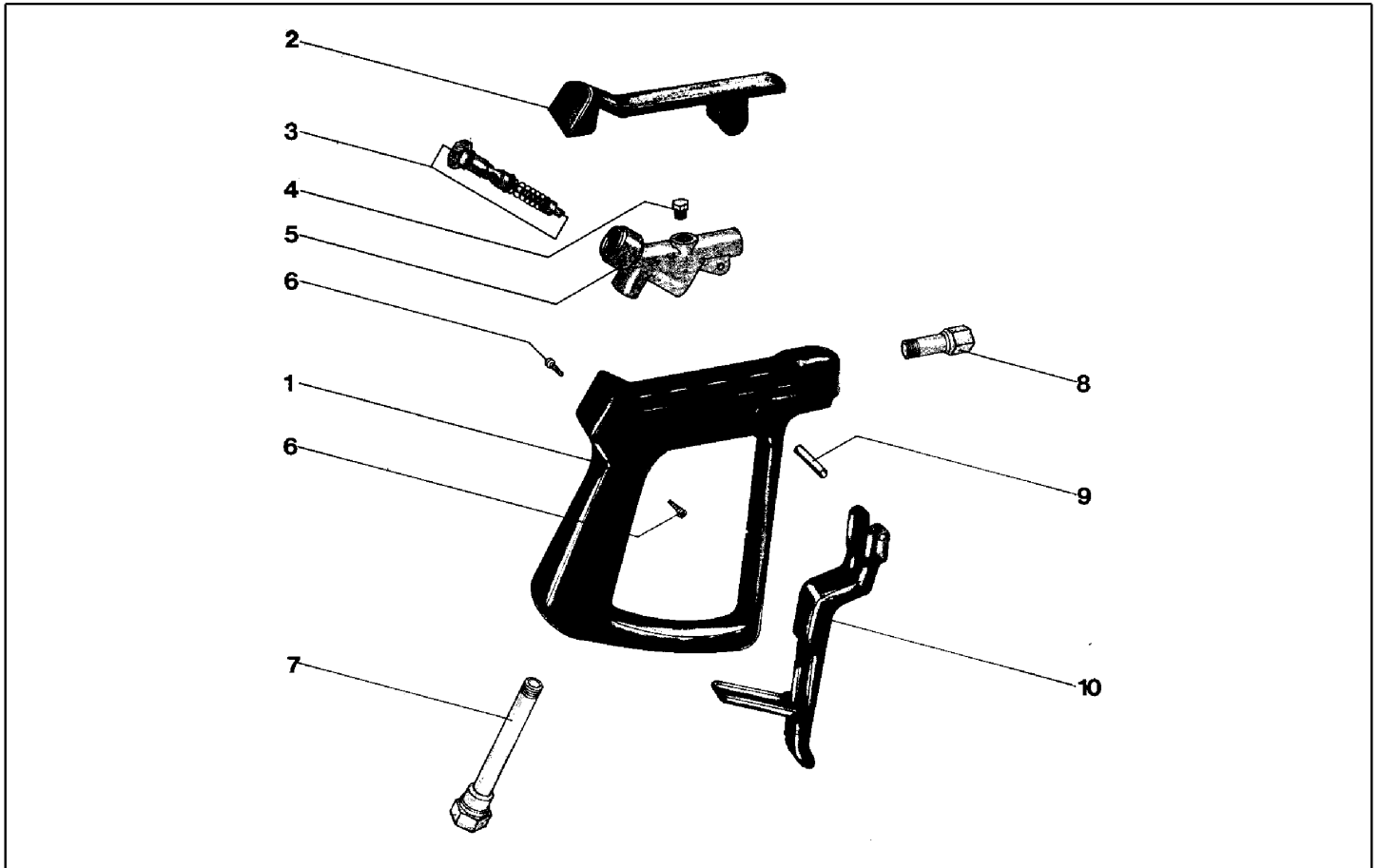
Ref. K	Part n.	Customer part n.	Description	Quantity	Validity		Price
					From	To	
0001	MFVR01097	00001097	HEAD W 151	1,00			--
0002	VTVT01111	00001111	SCREW TE M 8X70 UNI 5737 A.10.9	8,00			--
0003	VTRS01072	00001072	WASHER D. 8 TC	8,00			--
0009	S GUGO01033	00001033	O-RING D. 20.24 X 2.62 NBR 90SH	6,00			--
0010	S RCDS01087	00001087	CAP M24X2X16 OTT	6,00			--
0011	S VVAM01104	00001104	VALVE UNIT W 70-151	6,00			--
0012	VTVT01118	00001118	SCREW TCEI M 8X16 ZC. UNI 5931	8,00			--
0014	GUGO01041	00001041	O-RING D. 67.95 X 2.62 NBR 70SH	2,00			--
0015	CUVR09205	00009205	ROLLER BEARING 32206 A	2,00			--
0016	S GUGO01000	00001000	OIL SEAL 22X 32X 5 NBR70	3,00			--
0017	PVVR01011	00001011	BUSHING W 151	3,00			--
0018	MFVR01013	00001013	PUMP CRANKCASE W 151	1,00			--
0019	PVVR01092	00001092	OIL DIPSTICK W 151	1,00			--
0020	GUGO34590	00034590	O-RING D. 133.02 X 2.62 NBR 70SH	1,00			--
0021	ALMO15915	00015915	SHAFT WS151 A-A	1,00			--
0022	VTAE14016	00014016	CIRCLIP D. 12 UNI 7435	6,00			--
0023	VTVR01031	00001031	KEY 8X7X25 UNI6604	1,00			--
0024	PVVR01085	00001085	GUDGEON D.13X35 W151	3,00			--
0025	PVVR01029	00001029	PISTON GUIDE W 151	3,00			--
0026	BLVR01009	00001009	CONNECTING ROD W 151	3,00			--
0027	VTVT01116	00001116	SCREW TCEI 6X30 UNI5931	5,00			--
0028	MFVR03582	00003582	CRANKCASE COVER W 151 POS	1,00			--
0029	PVVR01083	00001083	OIL INDICATOR G 3/4 W70-151	1,00			--
0030	RCDS01088	00001088	CAP 1/4X 9 M WW90	1,00			--
0031	S GUGO01036	00001036	O-RING D. 10.82 X 1.78 NBR 70SH	4,00			--
0032	VTVT01120	00001120	SCREW TCEI 8X35 UNI5931	6,00			--
0033	VTRS14242	00014242	WASHER D. 8.4X13X0.8 UNI7064 SCH	6,00			--
0034	S VTRS01753	00001753	WASHER D.14X28 X0,5	3,00			--
0035	PIVR01066	00001066	PISTON D.20X50 W 151	3,00			--
0036	S GUVR00994	00000994	ANTI-EXTR.RING W151	3,00			--
0037	S VTRS01076	00001076	WASHER D.14X18,5X0,5	3,00			--
0038	S PVVR01107	00001107	PISTON BOLT IP W151	3,00			--
0039	MFVR03583	00003583	CRANKCASE COVER W151	2,00			--
0040	PVVR01016	00001016	THICKNESS 0,1 W 151	2,00			--
0041	S GUGO01003	00001003	OIL SEAL 30X 55X 7 NBR70	2,00			--
0042	S GUGO01042	00001042	O-RING D. 34.6 X 1.78 NBR 70SH	3,00			--
0043	S PVVR00977	00000977	PACKING RETAIN. W151	3,00			--
0044	S GUVR00981	00000981	PACKING W151	6,00			--
0045	S PVVR00985	00000985	HEAD RING W151	6,00			--
0046	S PVVR34589	00034589	INTERMED. RING W 151 D. 20	3,00			--
0047	S GUVR34587	00034587	PACKING D. 20 RESTOP	3,00			--
0051	RCDS01091	00001091	CAP 1/2X10 M	1,00			--
0052	VTRS01075	00001075	WASHER D.21,5X27 ALL	1,00			--
0053	RCDS01090	00001090	CAP 3/8X13 M WW90	1,00			--



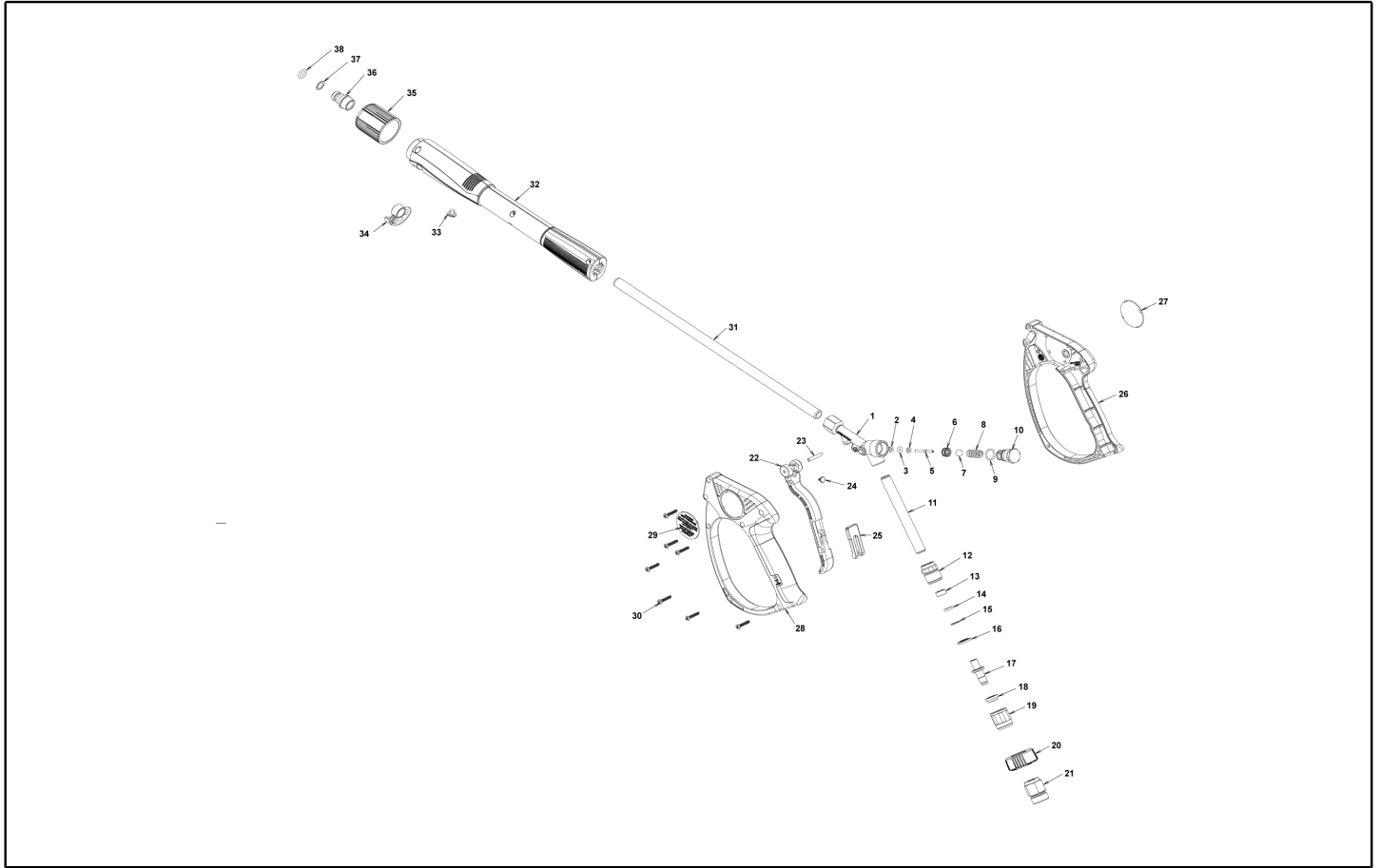
Ref. K	Part n.	Customer part n.	Description	Quantity	Validity		Price
					From	To	
0054	VTRS01074	00001074	WASHER D.17,05X22,3 X1,5	1,00			--
0056	S GUVR34585	00034585	PACKING W 151 L.P.	3,00			--



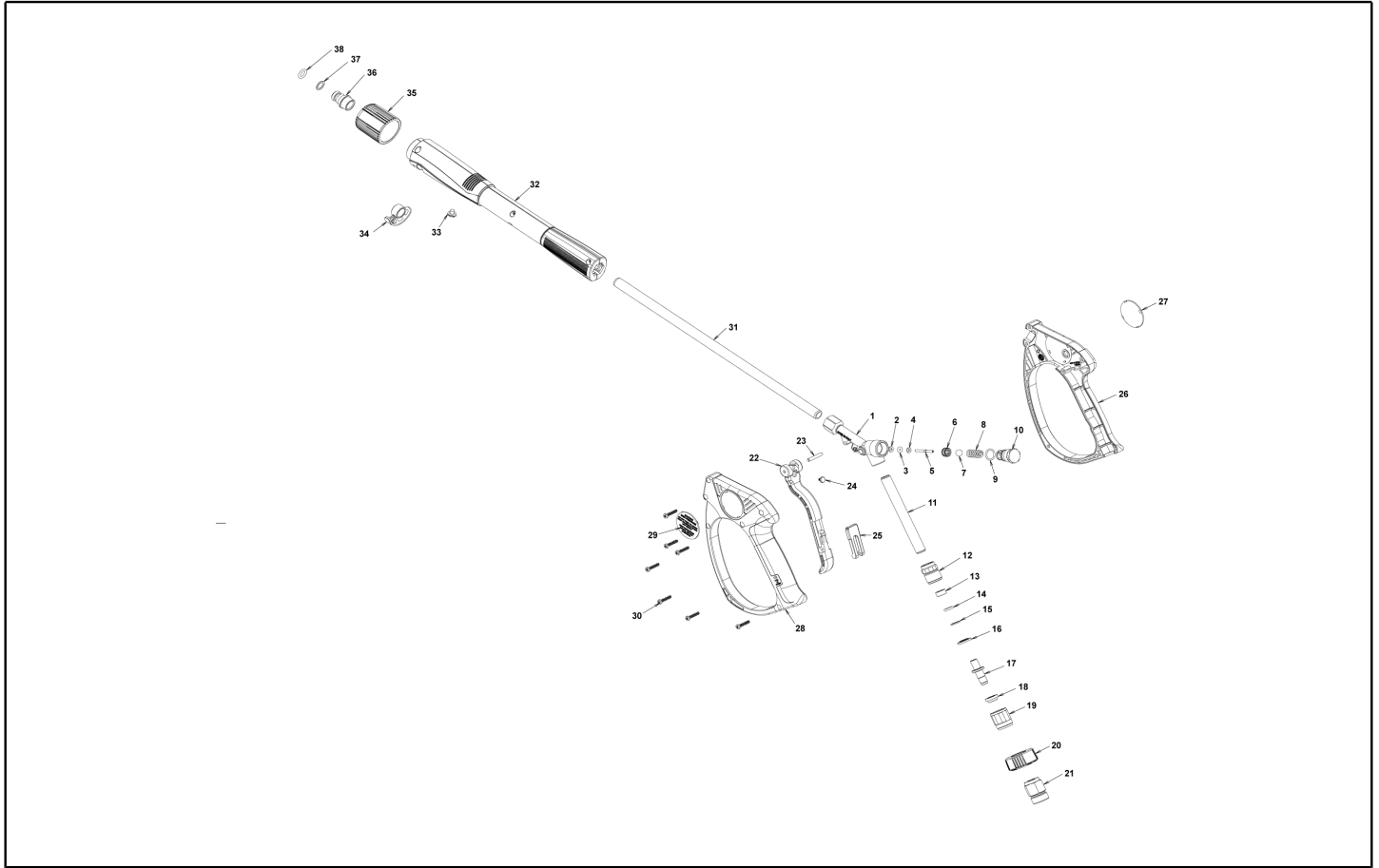
Ref. Part n.	Cust. part n.	Description	Reference	Price
KTRI17795		KIT P 4	0009 0010	--
KTRI17859		KIT P 1	0011	--
KTRI17860		KIT P 15- 2	0016	--
KTRI17793		KIT P 6	0031 0034 0036 0037 0038	--
KTRI14900		KIT P 15- 3	0041	--
KTRI14901		KIT P 10	0042 0043	--
KTRI18579		KIT P 28	0042 0043 0044 0045 0046 0047 0056	--
KTRI18574		KIT P 7	0045	--



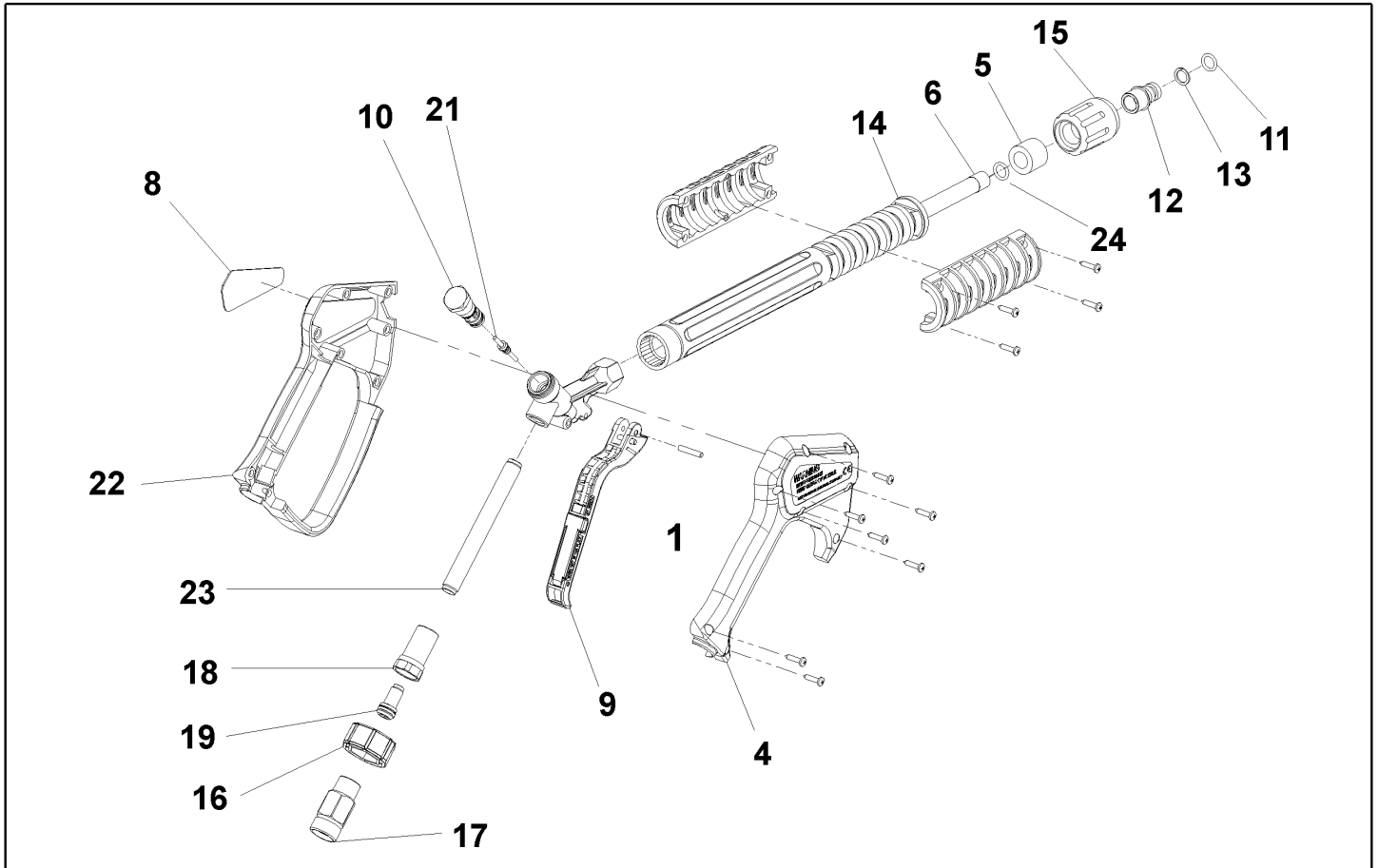
Ref. K	Part n.	Customer part n.	Description	Quantity	Validity		Price
					From	To	
0001	PVVR08141	00008141	BODY ST 2000	1,00			--
0002	PVVR08142	00008142	COVER ST 2000	1,00			--
0003	KTRI10689	00010689	KIT P 26- 1	1,00			--
0004	RCDS08145	00008145	CAP G 1/8" OT	1,00			--
0005	PVVR08146	00008146	BRASS HOUSING ST 2000	1,00			--
0006	VTVT28553	00028553	SCREW TCB-TC 3.5X16	2,00			--
0007	PVVR29763	00029763	PIPE G 1/4" +RCC 3/8"	1,00			--
0008	PVVR08147	00008147	CONNECTOR 1/4 ST 2000	1,00			--
0009	PVVR08149	00008149	PIN ST 2000	1,00			--
0010	PVVR08143	00008143	CONTROL LEVER	1,00			--



Ref. K	Part n.	Customer part n.	Description	Quantity	Validity		Price
					From	To	
0001	PVVR40402		GUN BODY G5000-V/2 G1/4F	1,00			--
0002	S GUGO17952	00017952	O-RING D. 2.84 X 2.62 NBR 70SH	1,00			--
0003	S GUGO21835	00021835	O-RING D. 2.84 X 2.62 VIT. 80SH	1,00			--
0004	S VTRS40024		WASHER D. 3 X 7 X1,5 OT	1,00			--
0005	S PVVR40404		SMALL PISTON G5000-V/2	1,00			--
0006	S PVVR40112		BALL SEAT G 5000	1,00			--
0007	S SFVR06779	00006779	BALL INOX 11/32	1,00			--
0008	MLML40016		SPRING D. 9.4 x21.5x1.6 G5000	1,00			--
0009	S GUGO21841	00021841	O-RING D. 12.42 X 1.78 NBR 90SH	1,00			--
0010	PVVR40113		CAP G 5000	1,00			--
0011	PVVR40405		TUBE G 1/4" L.115	1,00			--
0012	RCIN40024		CONNECTOR SWIV G5000-V/2 1/4F	1,00			--
0013	S PVVR40406		BUSHING G5000-V/2	1,00			--
0014	S PVVR40403		RING SW. G5000-V/2	1,00			--
0015	S GUVR40081		ANTI-EXTR.RING D.9 X13.2X1.2	1,00			--
0016	S PVVR40407		SPACER G5000-V/2	1,00			--
0017	S PVVR40408		PIN G5000-V/2	1,00			--
0018	S PVVR40409		BUSHING C/GRAD. G5000-V/2	1,00			--
0019	PVVR40410		NIPPLE G5000-V/2	1,00			--
0020	PVVR40411		KNOB SWIVEL G5000-V/2	1,00			--
0021	RCIN40025		CONNECTOR SWIV G5000-V/2 M22	1,00			--
0022	S MPVR40628		TRIGGER G5000-V/2	1,00			--
0023	S VTVR40008		PLUG D. 3 G5000	1,00			--
0024	S PVVR45053	00045053	PAWL G 2100 INX	1,00			--
0025	S MPVR40629		SAFETY-DEVICE G 5000-SW	1,00			--
0026	MPVR40630		SHELL G5000-V/2 DX	1,00			--
0027	MPVR40631		PLATE G5000-V/2	1,00			--
0028	MPVR40632		SHELL G5000-V/2 SX	1,00			--
0029	MPVR40633		PLATE G5000-V/2 SX	1,00			--
0030	VTVT62984	00062984	SCREW TC-CR M 4.2 X19 ZN	7,00			--
0031	LCPR40015		TUBE 1/4 L=370 ZC. 0°	1,00			--
0032	MPVR40195		PROTECTION P 370 MV	1,00			--
0033	MPVR40198		CAP G 5000	1,00			--
0034	MPVR40197		CAP G 5000 FIX.	1,00			--
0035	PVVR40119		CONNECTION M22X1,5 IRV G5000	1,00			--
0036	RCIN40009		GUIDGEON G 1/4 F IRV G5000	1,00			--
0037	GUVR40034		ANTI-EXTR.RING D. 10 X14	1,00			--
0038	GUGO40055		O-RING D. 2.62 X 9.19 - VITON	1,00			--



Ref. Part n.	Cust. part n.	Description	Reference	Price
KTRI40287		KIT P 26- 29 OR SEDE G5000-V/2	0002 0003 0004 0005 0006 0007 0009	--
KTRI40285		KIT P 26- 27 SWIVEL G5000-V/2	0013 0014 0015 0016 0017 0018	--
KTRI40286		KIT P 26- 28 LEVA G5000-V/2	0022 0023 0024 0025	--



Ref. K	Part n.	Customer part n.	Description	Quantity	Validity		Price
					From	To	
0001	VTVR46568	00046568	PLUG G 4500	1,00			--
0004	MPVR46563	00046563	COVER G 4500	1,00		30/04/2008	--
0004	MPVR40157		COVER G 4500 2V.	1,00	01/05/2008		--
0005	MPVR46572	00046572	SPACER P 330 ST	1,00			--
0006	LCPR46571	00046571	TUBE 1/4 L=352 ZC.	1,00		30/04/2008	--
0006	LCPR40007		TUBE 1/4 L=352 ZC. 2V.	1,00	01/05/2008		--
0008	MPVR46569	00046569	PLATE G 4500 RD.	1,00			--
0009	MPVR40057		TRIGGER G 4500 -SW	1,00			--
0010	PVVR40030		SMALL PISTON TM ST-2300	1,00			--
0011	GUGO10384	00010384	O-RING D. 10 X 2.2 VIT 80SH	1,00			--
0012	RCVR13030	00013030	GUDGEON G 1/4 F L=31.5	1,00			--
0013	GUVR10526	00010526	ANTI-EXTR.RING D.13.9X10.2 C.BZ	1,00			--
0014	MPVR46570	00046570	PROTECTION P 330 ST	1,00			--
0015	PVVR13445	00013445	CONNECTION M 22X1,5 L=45	1,00			--
0016	MPVR40058		RING NUT G4500 SW.	1,00			--
0017	RCIN40001		JOINT SWIV 4500 3/8" F	1,00		30/04/2008	--
0017	RCIN40005		JOINT SWIV 4500 3/8" F 2V.	1,00	01/05/2008		--
0018	RCIN31641	00031641	CONNECTOR SWIV 1500 F	1,00			--
0019	KTRI31645	00031645	KIT P 26- 14	1,00			--
0021	PVVR40031		ROD ST-2300	1,00			--
0022	MPVR46562	00046562	SHELL G 4500	1,00		30/04/2008	--
0022	MPVR40156		SHELL G 4500 2V.	1,00	01/05/2008		--
0023	PVVR40023		TUBE G 1/4" M/M P/SW.	1,00			--
0024	GUGO27021	00027021	O-RING D. 11 X 2.5 EPD 70SH	1,00	01/05/2008		--