



IPC

Spare parts list

Ref: ASDO15109

Cust.ref: 185016

Model: VACUUM CLEANER GS1/41OVEN TOPPER 515 VOL

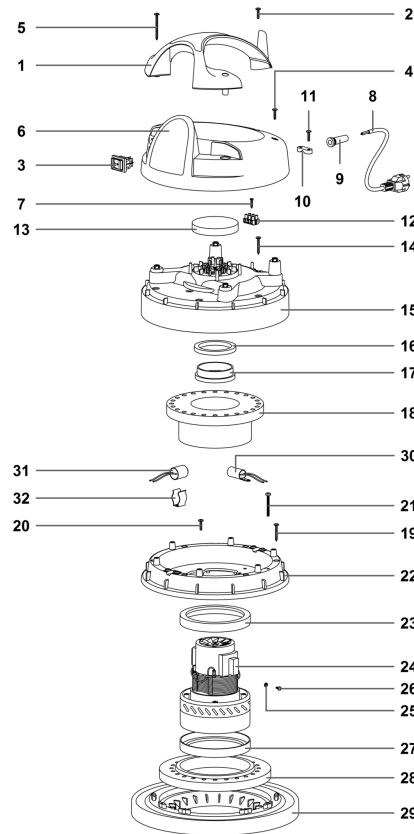
Cust.model:



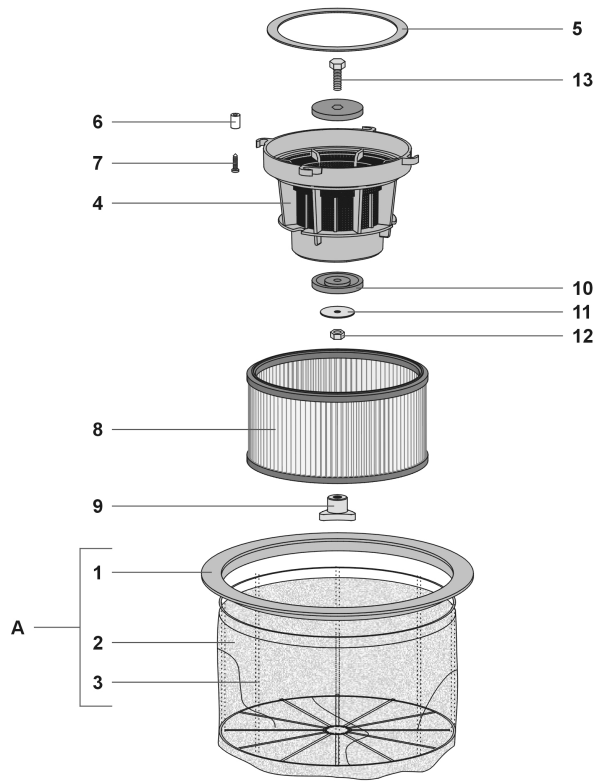
IPC Integrated Professional Cleaning

IPC Soteco

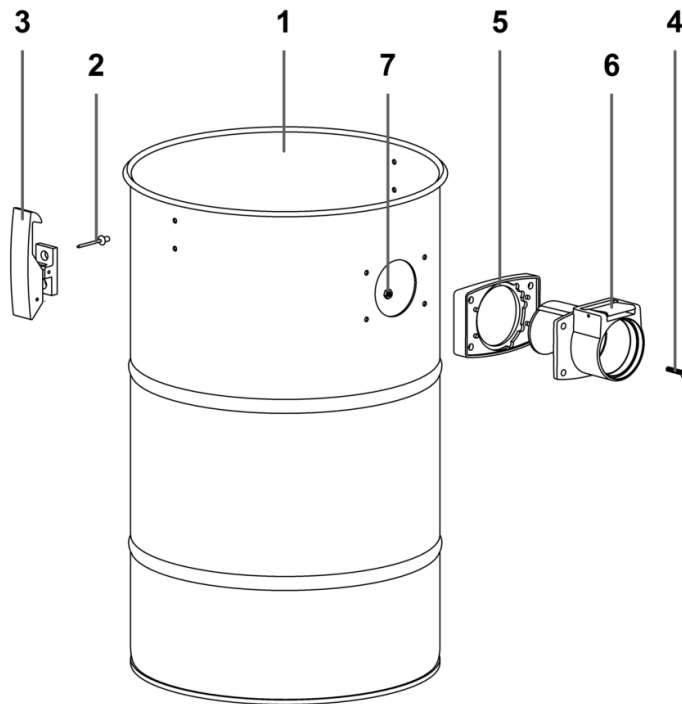
Ref. K	Part n.	Customer part n.	Description	Quantity	Validity		Price
					From	To	
0001	PMTA08455		HEAD TOPPER 515 VOLCAN C/PI VE	1,00			--
0002	KTRI04563	07459/7522 X551	FILTERING KIT 500 X551 W/CART.07522	1,00			--
0003	LAFN10517	00894 VOLCAN	TANK 500 AISI 430 D.60 ALL COM	1,00			--
0004	MPVR40524	020884NE	TROLLEYVEGAS TROLLEY 500 COMPLET	1,00			--



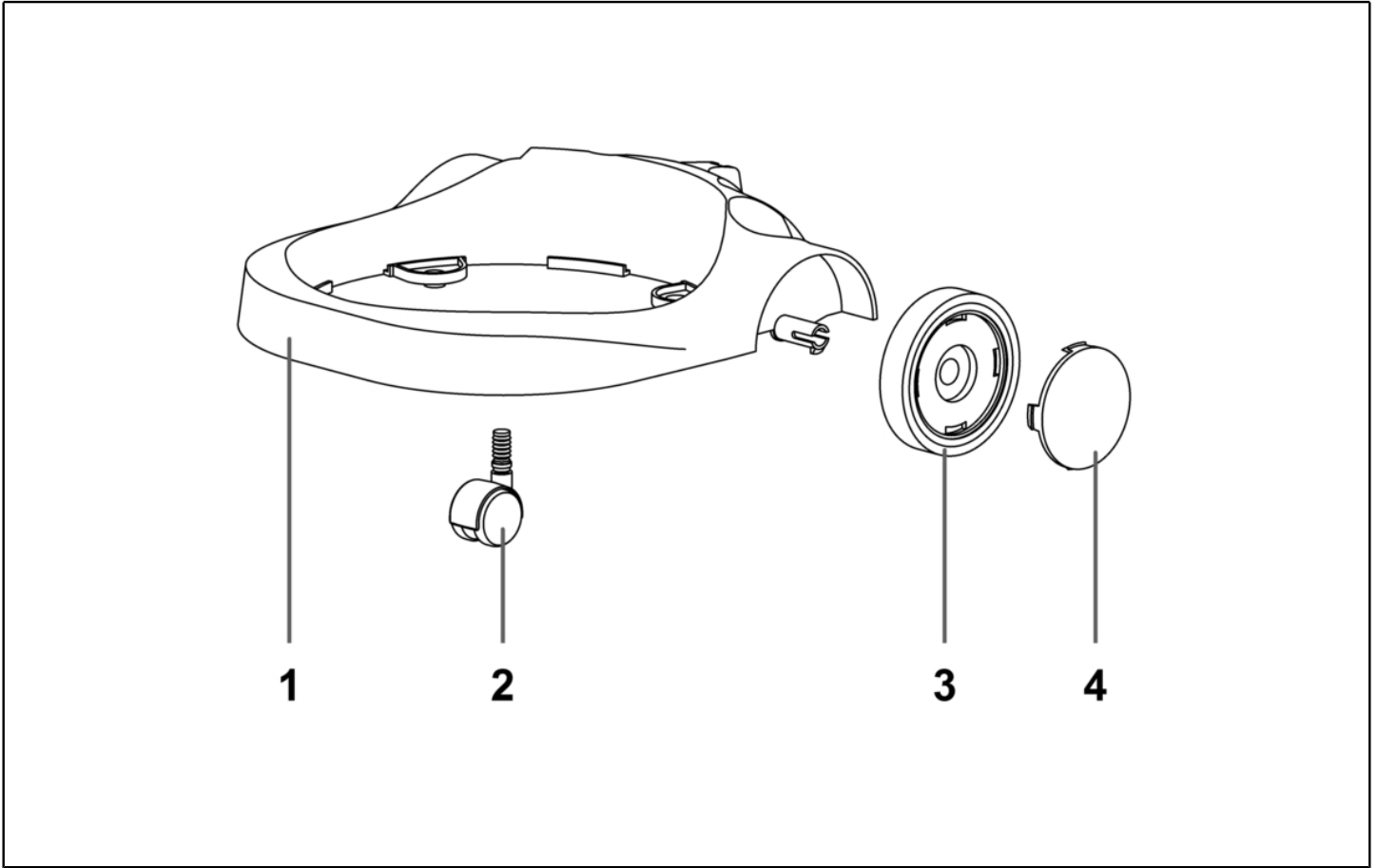
Ref. K	Part n.	Customer part n.	Description	Quantity	Validity		Price
					From	To	
*	FSVR00127	01106	CLAMP	3,00			--
*	MECB01212	07632	WIRING 43CM MOTOR	1,00			--
*	MECB01707	01102 N-G/V	CONN.WIRE M.200-G/V-4.2-5.2	1,00			--
0001	MPVR08275	020725VEI	HANDLE TOPPER 500 GREEN IPC	1,00			--
0002	VTVT71961	01006	SCREW PFU TMT PHL 5X20 BLACK	1,00			--
0003	MECI28677	00114	SWITCH	1,00			--
0004	VTVT71961	01006	SCREW PFU TMT PHL 5X20 BLACK	2,00			--
0005	VTVT40007	03273	SCREW PAT TMT PHL 5X55 BLACK	2,00			--
0006	MPVR08293	020726NE	COVER TOPPER 500 NE	1,00			--
0007	VTVT88715	01004	SCREW PAT TCB 4,5X20 ZN BLACK	1,00			--
0008	MECB28808	00466	ELECTRIC CORD 3X1 MT.8,5	1,00			--
0009	MEVR28673	00138	FAIRLEAD	1,00			--
0010	MPVR28690	00139	CABLE CLAMP	1,00			--
0011	VTVT71961	01006	SCREW PFU TMT PHL 5X20 BLACK	1,00			--
0012	MECB01153	03442	TERMINAL BOARD 300-500 3P S/R	1,00			--
0013	FTDP38064	03937	FILTER MTP/65 H=15 D.95	1,00			--
0014	VTVT71971	01050	SCREW PAT TMT PHL 5X35 BLACK	6,00			--
0015	MPVR09134	02738-1VEI	COVERING 99 S/HOLES GREEN-IPC	1,00			--
0016	MPVR38371	03969	WASHER H8 D85X65	1,00			--
0017	MPVR86282	00310	RING MOTORE H=7 (15) PLAST.	1,00			--
0018	FTDP38066	03900	FILTER PHONO H=75	1,00			--
0019	VTVT71971	01050	SCREW PAT TMT PHL 5X35 BLACK	6,00			--
0020	VTVT71961	01006	SCREW PFU TMT PHL 5X20 BLACK	4,00			--
0021	VTVT01272	021621	SCREW TC CROSS M 5X45 UNI 7687	1,00			--
0022	MPVR08419	021261NE	MOTOR SUPPORT 500 BLACK	1,00			--
0023	GUGO28683	03901	"L" GASKET W/O HOLES H=5,5	1,00			--
0024	MOMO49601	03976 SA S/C	MOT.BD431 AD 1300W 220-240 50/60	1,00			--
0025	VTRS00393	01024	TOOTHED WASHER M4 UNI 8842	1,00			--
0026	VTVT01037	01064	SCREW TC CROSS M 4X8 UNI 7687	1,00			--
0027	GUGO28683	03901	"L" GASKET W/O HOLES H=5,5	1,00			--
0028	FTDP38067	03866	WASHER MTP 65MM 18D 230X145	1,00			--
0029	PMBA00065	01189 GP NYL	BASE 500 C/GUARN.+PI. NYLON BL	1,00			--
0030	MEVR02226	01110/C	CAPACITOR W/PI. COMP FASTON	1,00			--
0031	MEVR02228	01114/C2	TOROID 300/500	1,00			--
0032	LAFNO6570	01113	CLAMP BRACKET TOROIDE	1,00			--



Ref. K	Part n.	Customer part n.	Description	Quantity	Validity		Price
					From	To	
0001	MPVR07730	00507 AU	HOLDER RING SERIE 500 AU	1,00			--
0002	FTDP00475	00771 X551	FILTER TES X551 AN3-500 CIL REG	1,00			--
0003	MPVR37175	02677	BASKET 99	1,00			--
0004	MPVR08386	021242NE AU V0	ANTIFOAM BODY RETE BASSO AU V0	1,00			--
0005	GUVR40078	03735-2	GASKET H3 DS50 W/ANTIFOAM BODY	1,00			--
0006	MPVR35796	03706	PLASTIC SLEEVE D.8	4,00			--
0007	VTVT36751	03724	SCREW PAT TMT PHL 5X25	4,00			--
0008	FTDP00293	07522	CARTRIDGE HEPA 175X145X130 CIFF	1,00			--
0009	VTVR00346	01732	HAND-WHEEL M 10 "F" 3 POINTS	1,00			--
0010	MPVR10240	07521 AU V0	CAP SCREW ANCOR AU V0	2,00			--
0011	VTVR71967	01027	WASHER M 10X30X2,5	1,00			--
0012	VTDD72010	01375	NUT 10 MA	1,00			--
0013	VTVT01234	07533	SCREW TE M 10X45 UNI 5739 ZN	1,00			--
A	KTRI03006	03656 X551	RINGS KIT 500 AU+FIL.X551+CEST.99	1,00			--



Ref. K	Part n.	Customer part n.	Description	Quantity	Validity		Price
					From	To	
0001	LAFN06644	01564	TANK 500/41 AISI 430	1,00			--
0002	VTVR71991	01301	RIVET 5X11	4,00			--
0003	CHVR28735	01847/SNE	COMPLETE PLASTIC HOOK BLACK	2,00			--
0004	VTVT85000	00725	SCREW M 5X25	4,00			--
0005	GUGO28736	02586NE	GASKET R 205 BLACK	1,00			--
0006	MFVR40018	020297 COMP	INLET W/DEFLECTOR D60 AL. COMP	1,00			--
0007	VTDD00223	01015	BRASS NUT M 5 UNI 5588	4,00			--



Ref. K	Part n.	Customer part n.	Description	Quantity	Validity		Price
					From	To	
0001	MPVR40522	020744NE	TROLLEY TROLLEY BODY 500 VEGAS BL	1,00			--
0002	RTRT42006	00558	TROLLEY BOX WHEEL	2,00			--
0003	RTRT85778	06043	WHEEL BODY YES	2,00			--
0004	MPVR40523	06044NE	WHEEL COVERING YES BLACK	2,00			--



Ref. K	Part n.	Customer part n.	Description	Quantity	Validity		Price
					From	To	
0001	GUVR40078	03735-2	GASKET H3 DS50 W/ANTIFOAM BODY	1,00			--
0001	GUVR40078	03735-2	GASKET H3 DS50 W/ANTIFOAM BODY	1,00			--



Ref. K	Part n.	Customer part n.	Description	Quantity	Validity		Price
					From	To	
0001	MECB28808	00466	ELECTRIC CORD 3X1 MT.8,5	1,00			--
0001	MECB28808	00466	ELECTRIC CORD 3X1 MT.8,5	1,00			--