

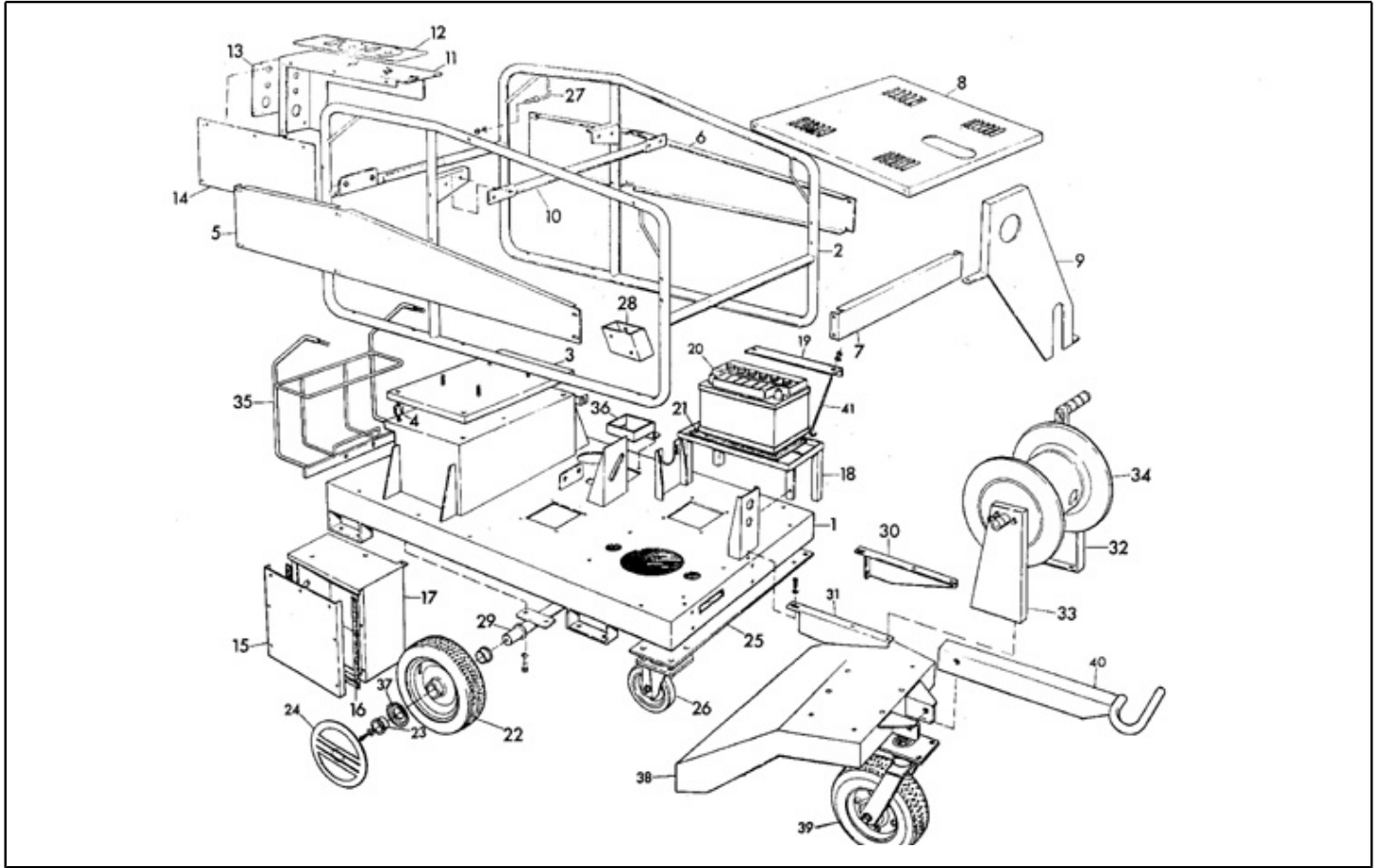


**IPC**

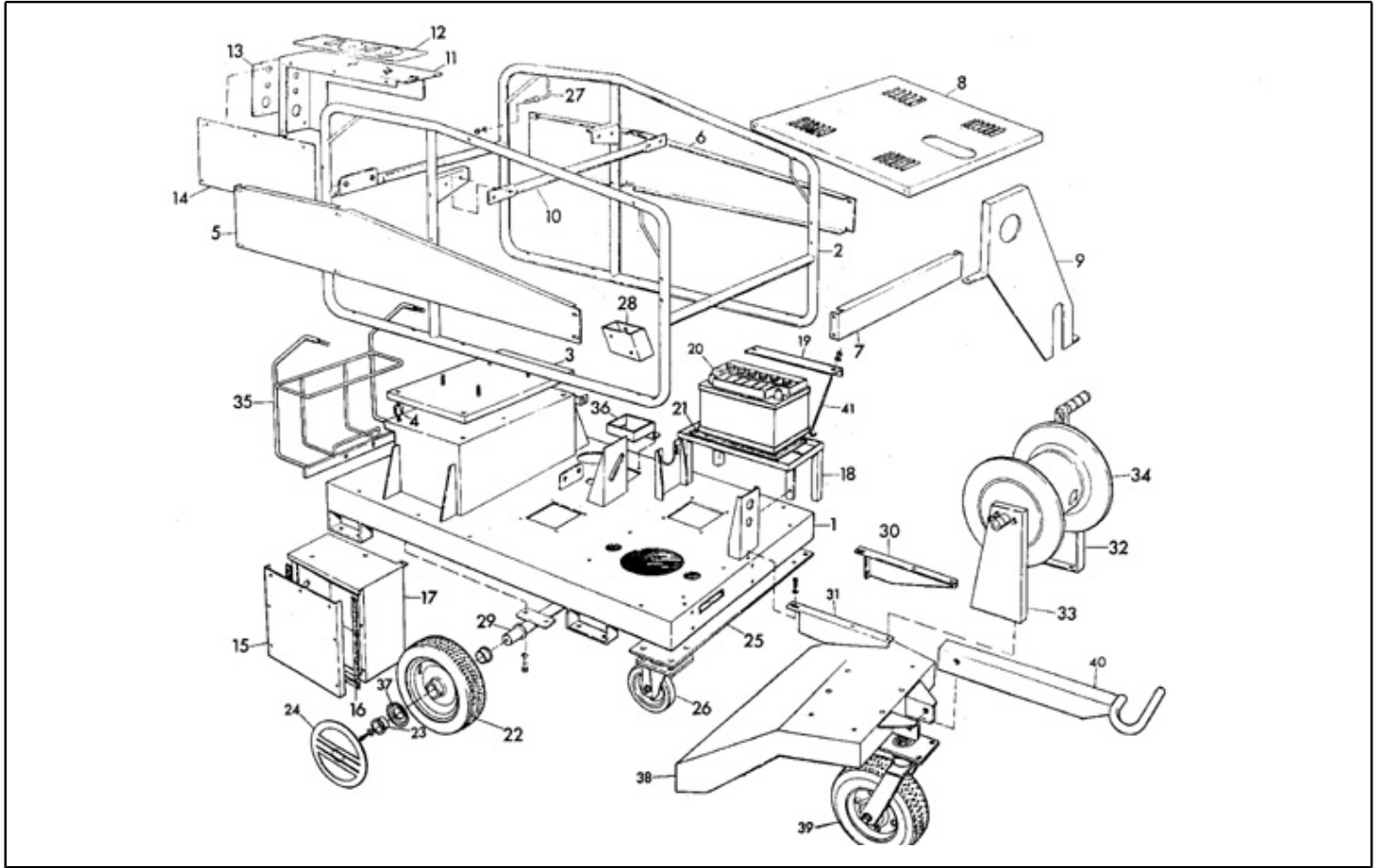
**Spare parts list**

Ref: IDAC49710

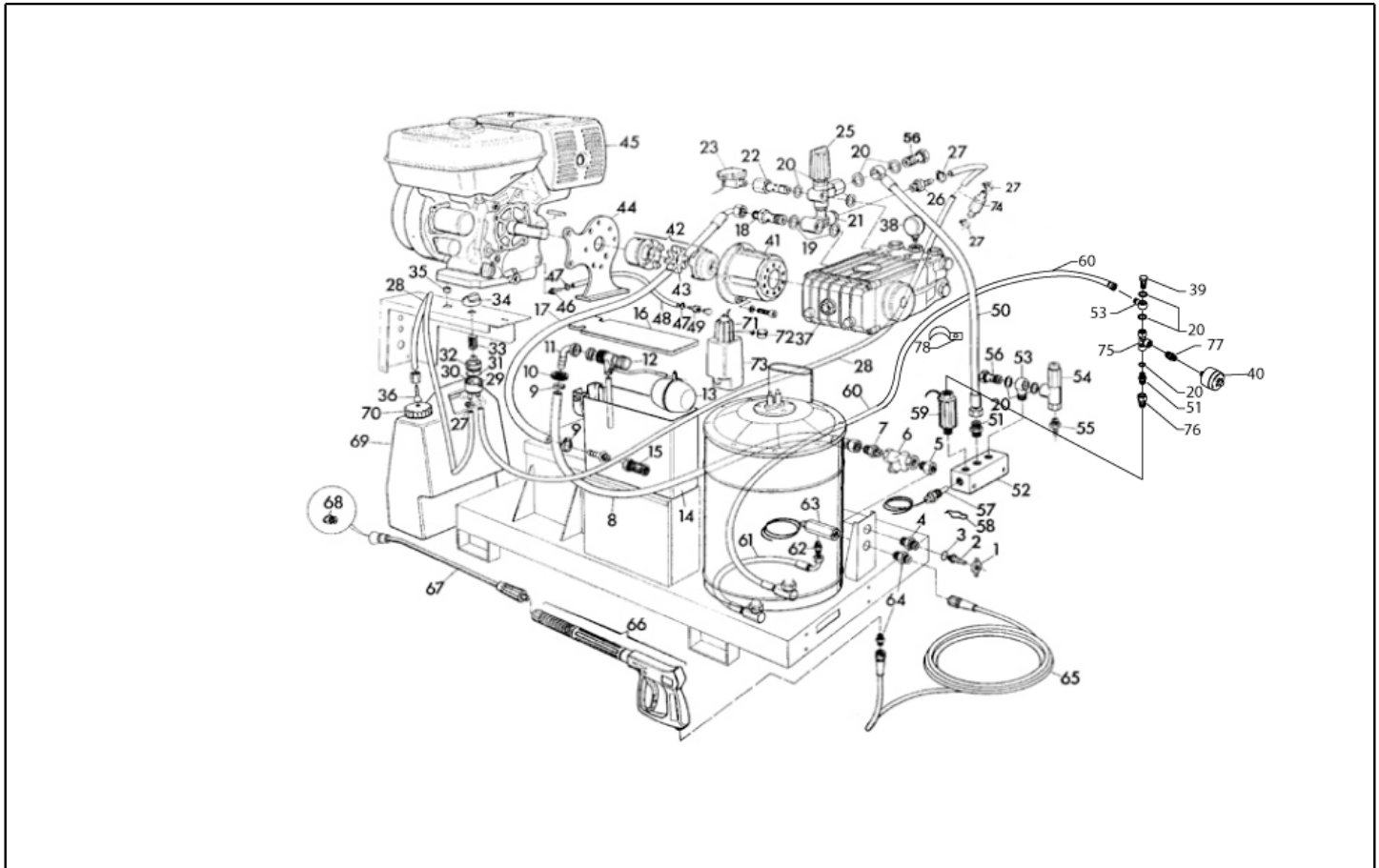
Model: H.P. CLEANER SKID F.H L1818Pi P IPC



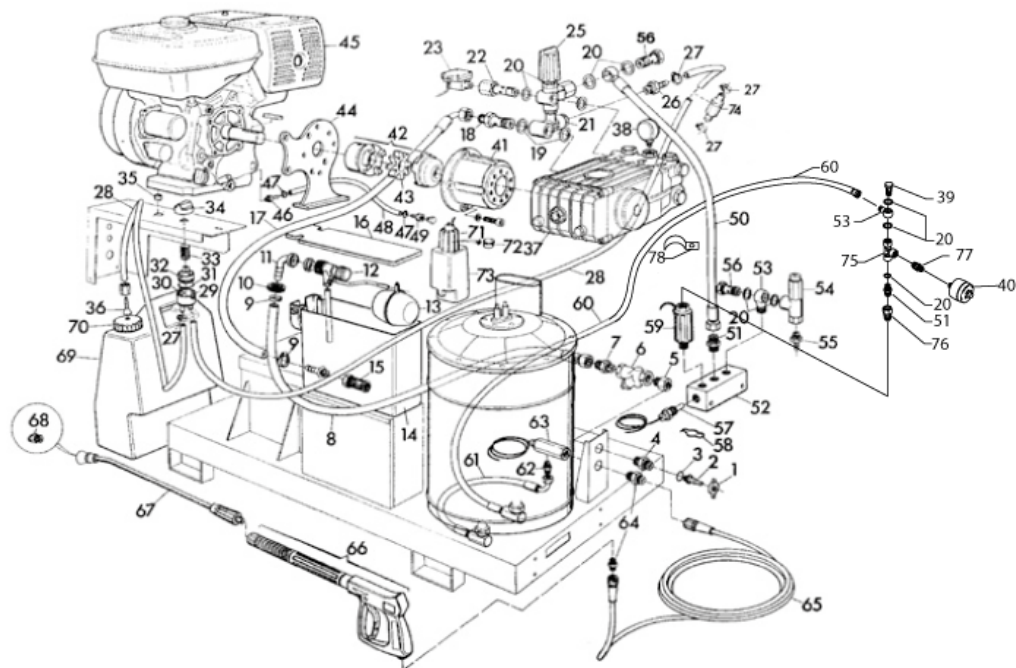
Ref. K	Part n.	Part n. 2	Description	Quantity	Validity		Price
					From	To	
0001	LAFN26742		BASE SKID F.	1,00			--
0002	LAFN26740		TUBULAR FRAME SKID F.	1,00			--
0003	LAFN14180		MOTOR PLATE F.165 B	1,00			--
0004	ABGO15126		VIBRATION DAMP. 50X30- 2M10X27 -65+5SH	3,00			--
0005	LAFN49853		LAT. PANEL SKID F. DX GRY	1,00			--
0006	LAFN49854		LAT. PANEL SKID F. SX GRY	1,00			--
0007	LAFN26748		ANT. PANEL SKID F.	1,00			--
0007	LAFN49852		ANT. PANEL SKID F. GRY.	1,00			--
0008	LAFN49851		COVER SKID F. GRY.	1,00			--
0009	LAFN26756		BELT GUARD SKID F.	1,00			--
0010	LAFN14935		CROSS PIECE F.165 B	1,00			--
0011	LAFN26758		FRONT PANEL SKID F.	1,00	10/02/2000		--
0012	ETET26927		LABEL SKID F. SUP.	1,00			--
0013	ETET26928		LABEL SKID F. INF.	1,00			--
0014	LAFN14946		LAT. PANEL F.165 B	1,00			--
0015	LAFN26861		BOX COVER SKID F.	1,00			--
0016	GUGO27089		GASKET SKID F.	1,00			--
0017	LAFN26762		CONTROL BOX SKID F.	1,00			--
0018	LAFN26752		BATTERY SUPPORT SKID F.	1,00			--
0019	LAFN35935		BRACKET SKID F. 2V.	1,00			--
0020	BAAC06153		BATTERY 60 AH 12V 300A	1,00			--
0021	MPVR27094		BATTERY RUBBER 185X315	1,00			--
0022	S RTRT15328		WHEEL D.400-D.25	2,00			--
0023	S RCDS04886		BUSHING D. 36 D.25X20 OTT	4,00			--
0024	S MPVR25910		RED HUB CAP D. 250 RT/PRT	2,00			--
0025	S LAFN14226		PLATE F.165 B	1,00			--
0026	S RTRT14224		TURNING WHEEL D.180 SCM	1,00			--
0026	S RTRT14225		TURNING WHEEL D.180 SCM - FR	1,00			--
0027	S LAFN15045		LANCE REST F.165 B	1,00			--
0028	S LAFN14924		CONTAINER F.165 B	1,00			--
0029	S LAFN14234		WHEELS AXLE F.165 B	1,00			--
0030	S LAFN26770		LEFT SUPPORT SKID F.	1,00			--
0031	S LAFN26768		RIGHT SUPPORT SKID F.	1,00			--
0032	S LAFN26266		HOSE WIND.SUPP. PRT HS 2°V SX	1,00			--
0033	S LAFN26264		HOSE WIND.SUPP. PRT HS 2°V DX	1,00			--
0034	S AVTB23276		HOSE WINDING KRZ	1,00			--
0035	S LAFN14985		TANK HOLDER F.165 B	1,00			--
0036	S LAFN24961		TANK HOLDER ANTIC.GLX	1,00			--
0037	S LAFN28028		SUPPORT F.165B INX	2,00			--
0038	S LAFN27454		SUPPORT PLATE SKID-F.	1,00			--
0039	S RTRT28542		TURNING WHEEL D.350X100 PN.	1,00			--
0040	S LAFN27456		TOWBAR SKID F.	1,00			--
0041	LAFN35933		BATT. TIE ROD SKID F.	2,00			--



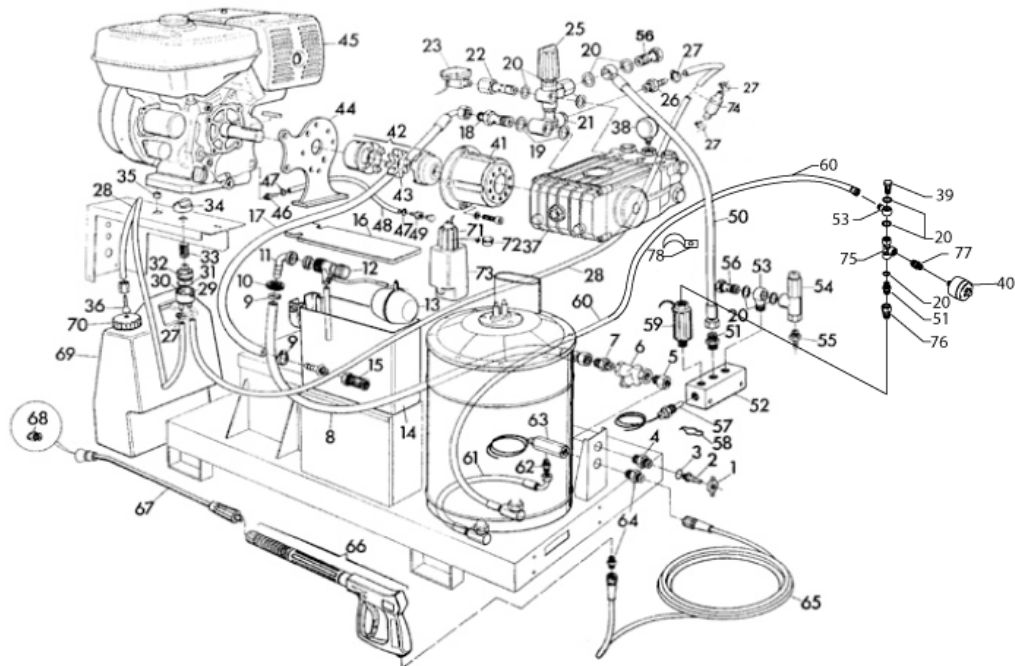
Ref. Part n.	Part n. 2	Description	Reference	Price
KTRI26685		KIT P 1- 15	0022 0023 0024 0029 0037 0038 0039 0040	--
KTRI26686		KIT P 1- 16	0022 0023 0024 0025 0026 0029 0037	--
KTRI26687		KIT P 3- 4	0027 0028	--
KTRI26688		KIT P 35- 5	0030 0031 0032 0033 0034	--
KTRI26689		KIT P 7- 9	0036	--
KTRI26690		KIT P 6- 8	0035	--
KTRI27587		KIT P 35- 7	0032 0033 0034	--



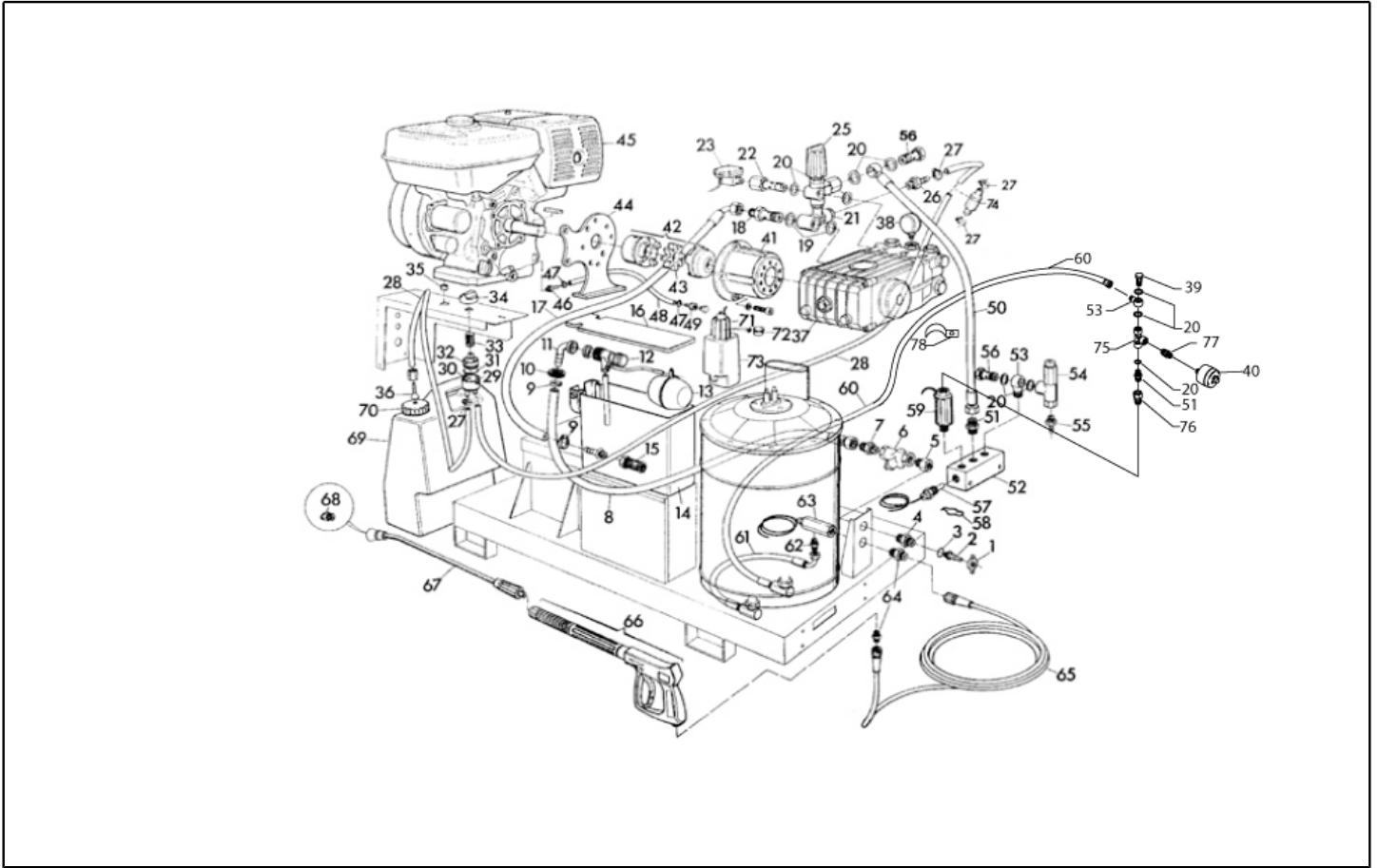
Ref. K	Part n.	Part n. 2	Description	Quantity	Validity		Price
					From	To	
0001	RCDS09316		CONNECTION G. 3/4	1,00			--
0002	RCDS08965		HOSE FITTING OTT.	1,00			--
0003	GUGO01054		O-RING D. 15.08 X 2.62 NBR 70SH	1,00			--
0004	RCDS09825		NIPPLE 3/4 - 1/2 OTT	1,00			--
0005	RCVR00647		REDUCTION 3/4-1/2 M/F	1,00			--
0006	FTAC33904		FILTER 3/4 F/F 2.VERS.	1,00			--
0007	RCDS00613		NIPPLE 3/4 - 1/2 SV	1,00	19/04/2001		--
0008	TBBP15642		L.P. HOSE L=970 1/2F90°	1,00			--
0009	S FSVR00431		CLAMP D. 16-25	1,00			--
0010	S RCDS10356		RING NUT FUT	1,00			--
0011	S RCDS10357		HOSE FITTING FUT 90°	1,00			--
0012	S RCGR10358		TAP UG. D. 7	1,00			--
0013	S RCGR01387		PLASITC BALL D.104	1,00			--
0014	S MPVR22117		WATER TANK FUT PPL BK.	1,00			--
0015	FTDT21315		FILTER D.20X45 18LT	1,00			--
0016	S MPVR10353		TANK COVER FUT PPL BK.	1,00	05/05/2010		--
0017	TBAP28041		HOSE-FITTING 5/ 8 R1 L=480 1/2F90°	1,00			--
0018	RCDS25786		SCREW G 1/2 + 1/2M - D.8 L=65	1,00			--
0019	VTRS00549		WASHER D.21,5X27X1,5 (1/2) RM	2,00			--
0019	VTRS12491		WASHER 1/2	2,00	12/07/2004	30/11/2015	--
0019	VTRS40027		WASHER 1/2 ZC + NBR 85SH	2,00	01/12/2015		--
0020	VTRS00548		WASHER D.17,5X23X1,5 (3/8)RM	2,00			--
0020	VTRS12492		WASHER 3/8	2,00		30/11/2015	--
0020	VTRS40026		WASHER 3/8 ZC + NBR 85SH	4,00	01/11/2021		--
0020	VTRS40026		WASHER 3/8 ZC + NBR 85SH	2,00	01/12/2015	31/10/2021	--
0021	VVAZ26760		VALVE VB 7 W151 AC REG.	1,00		23/09/2002	--
0021	VVAZ40033		VALVE VRF-2 IP-W AC S/IN.	1,00	01/12/2012	09/05/2013	--
0021	VVAZ40040		VALVE VRF-2 IP-W AC S/IN. REG.	1,00	10/05/2013		--
0021	VVAZ46720		VALVE MV 625 W151 AC S/IN. REG.	1,00	24/09/2002	30/11/2012	--
0021	PVVR40273		ADAPTER VRF-2 RG.	1,00	01/12/2012	09/05/2013	--
0022	RCDS24713		SCREW G 3/8 - 3/8F L=66.5	1,00			--
0023	PIID25232		DECELERATOR IP SPDM	1,00			--
0025	MPVR09436		BLACK KNOB ST 260	1,00		20/06/2014	--
0025	MPVR40589		BLACK KNOB ST 260 IPC	1,00	21/06/2014		--
0026	RCDS02687		HOSE FITTING 1/2 M D. 5- 7	1,00			--
0027	FSVR15255		CLAMP D. 8-12	6,00			--
0028	TBBP00051		DETERGENT HOSE D. 6-12	2,20			--
0029	RCGR08069		TAP BODY DET. PRT	1,00			--
0030	GUGO08071		O-RING D. 4.48 X 1.78 NBR 70SH	1,00			--
0031	GUGO12183		O-RING D. 23.4 X 3.53 VIT 70SH	1,00			--
0032	RCGR08070		ADJUSTER PRT	1,00			--
0033	MLML08068		SPRING D.1,5 L.23	1,00			--
0034	MPVR25533		GREY KNOB PRT-AC	2,00			--
0035	MPVR08728		SWITCH TANG TIMER W	1,00			--



Ref. K	Part n.	Part n. 2	Description	Quantity	Validity		Price
					From	To	
0036	FTDT04647		FILTER 3/8 F + PG	1,00			--
0037	PPAP14867		PUMP WS151 D.A.	1,00			--
0038	MNMN07990		PRESSURE GAUGE 0-250 D.50	1,00	01/05/1998	23/07/2012	--
0038	MNMN89876		PRESSURE GAUGE G1/4 0-250 D.50 INOX	1,00	24/07/2012		--
0039	RCDS01371		SCREW G 3/8 A.P.	1,00			--
0039	RCDS18291		SCREW G 3/8 - M14X1,5 F L=53	1,00		31/10/2021	--
0040	ACID08195		ACCUMULATOR M 14X1,5 30BAR	1,00		31/10/2021	--
0040	ACID40001		ACCUMULATOR M 14X1,5 2V. 30BAR	1,00	01/11/2021		--
0041	MFVR01021		FLANGE HP 5,5 W 151	1,00			--
0042	FGGT11877		FLEX. COUPLING HP10 SIT 24-25	1,00		18/04/2001	--
0043	FGGT10094		RING SIT HP 10	1,00	19/04/2001		--
0044	MFVR11808		FLANGE SF/HONDA C203	1,00			--
0045	KTRI40012		KIT PX 6 - 26 PomeI+avv.H	1,00	09/11/2006		--
0045	MOSC26812		ENGINE MOTOR HONDA GX340K1 L1-F0 12V	1,00		08/11/2006	--
0045	MOSC40000		ENGINE MOTOR HONDA GX390K1 LK-E-OH 12V	1,00	09/11/2006		--
0046	LAFN15629		CONNECTOR F.165 B M12 M	1,00			--
0047	FSVR00428		CLAMP D. 12-20 IX	1,00			--
0048	TBCO15910		L.P. HOSE D.10-19	0,50			--
0049	LAFN15627		CONNECTOR F.165 B M12 F	1,00			--
0050	TBAP16900		HOSE-FITTING 5/16 R1 L=475 3/8F- 3/8O	1,00			--
0051	RCDS00610		NIPPLE 3/8 - 3/8 SV	2,00			--
0052	RCDS14223		BLOCK 4VIE A.P.	1,00			--
0053	RCDS15150		CONNECTOR O. 3/8 - G3/8M L=28,5	1,00			--
0054	VVSC21627		VALVE VS 220 G3/8	1,00		19/06/2010	--
0054	VVSC40005		VALVE MR 401 G3/8	1,00	20/06/2010	14/10/2021	--
0054	VVSC40031		VALVE SVL28 250B. LT.25 G 3/8"	1,00	15/10/2021		--
0055	RCDS03514		HOSE FITTING 3/8 M D. 5- 7	1,00			--
0056	RCDS01371		SCREW G 3/8 A.P.	1,00			--
0057	RCDS00593		SUMP IM 0-120 L=50	1,00			--
0058	MLML02623		SPRING IMT	1,00			--
0059	MEPF06949		FLOW SWITCH ST5 L=1.300	1,00			--
0060	TBAP15944		HOSE-FITTING 5/16 R2 L=900 3/8F0°-1/2P	1,00	01/11/2021		--
0060	TBAP16910		HOSE-FITTING 5/16 R2 L=850 3/8O-1/2P90	1,00		31/10/2021	--
0061	TBAP15897		HOSE-FITTING 5/16 R2 L=760 3/8F90° 0°	1,00			--
0062	RCDS20186		NIPPLE 3/8 - 14X1,5 SV	1,00			--
0063	RCDS19322		BLOC BODY 3/8F-M14	1,00			--
0064	RCIN09348		MALE COUPLING 3/8MA L=32	1,00			--
0065	TBAP15631		H.P. HOSE R2 MT 10 5/16" IRV F-SWIV	1,00		14/03/2007	--
0065	TBAP40009		H.P. HOSE R2 MT 10 5/16" C/2 IRV IX	1,00	15/03/2007		--
0066	IPPR12973		GRIP ST 2000 - P 330 - M22 M V	1,00		14/03/2007	--
0066	IPPR89429		GRIP G 4500 - P.330 -M22SW.M V	1,00	15/03/2007	16/04/2014	--
0066	IPPR40016		GRIP G 5000+P.330 +M22 SW.M V2	1,00	17/04/2014	31/01/2016	--
0066	IPPR40020		GRIP G 6000+P.330 +M22 SW.M V	1,00	01/02/2016	14/06/2018	--
0066	IPPR40025		GRIP G 6000+P.330 +M22 SW.M 2V	1,00	15/06/2018		--

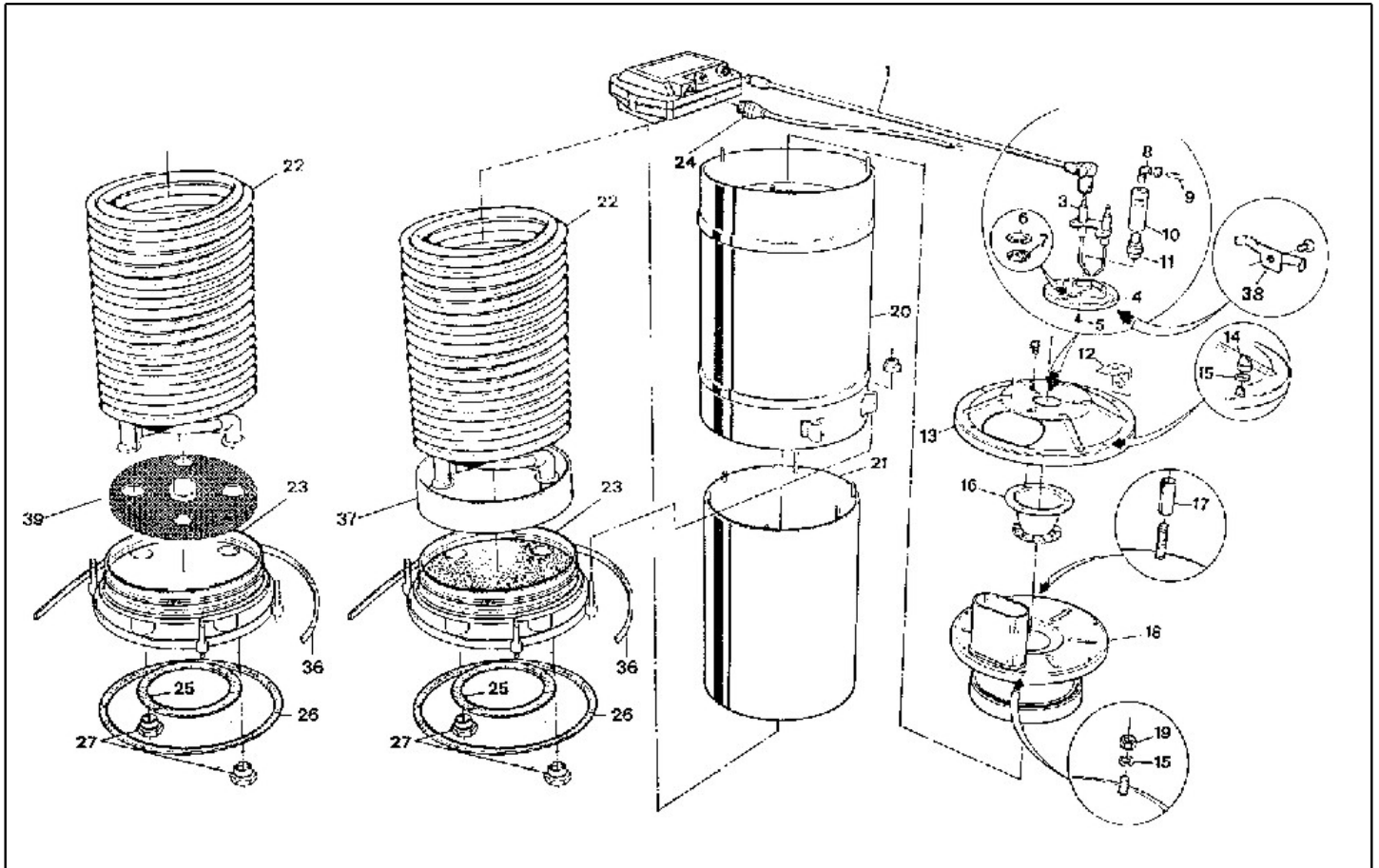


Ref. K	Part n.	Part n. 2	Description	Quantity	Validity		Price
					From	To	
0067	LCPR12975		EXTENSION P 50	1,00		14/03/2007	--
0067	LCPR12976		EXTENSION P 70	1,00	15/03/2007	30/11/2016	--
0067	LCPR40087		EXTENSION P 70 -P20.IX700 M22 M	1,00	01/12/2016	31/08/2017	--
0067	LCPR40159		EXTENSION P 70 -P20.IX700 M22 M 0°	1,00	01/09/2017		--
0068	UGLN02300		NOZZLE 1/4 2506	1,00		02/05/2006	--
0068	UGLN49994		NOZZLE LECH 1/4 2506	1,00	03/05/2006		--
0069	S MPVR08436		DETERGENT TANK FUTURA	1,00			--
0070	S MPVR08580		TANK CAP FUT	1,00			--
0071	S MEPD22718		DESCALING PUMP NME-1 220V CPL.	1,00			--
0072	S MPVR20904		CAP KSM	1,00			--
0073	S MPVR24959		TANK GLX	1,00			--
0074	VVSF46712		VALVE 1/4M -PG. D.3X7.5	1,00			--
0075	RCVR01710		CONNECTOR T 3/8 F/F/F OT. A.P.	1,00	01/11/2021		--
0076	RCVR00563		SWIVEL RACCORD 3/8 M/F	1,00	01/11/2021		--
0077	RCDS03749		SLEEVE 3/8-14MB M/F	1,00	01/11/2021		--
0078	MEVR00253		CLIP D. 9	1,00	20/05/2020		--



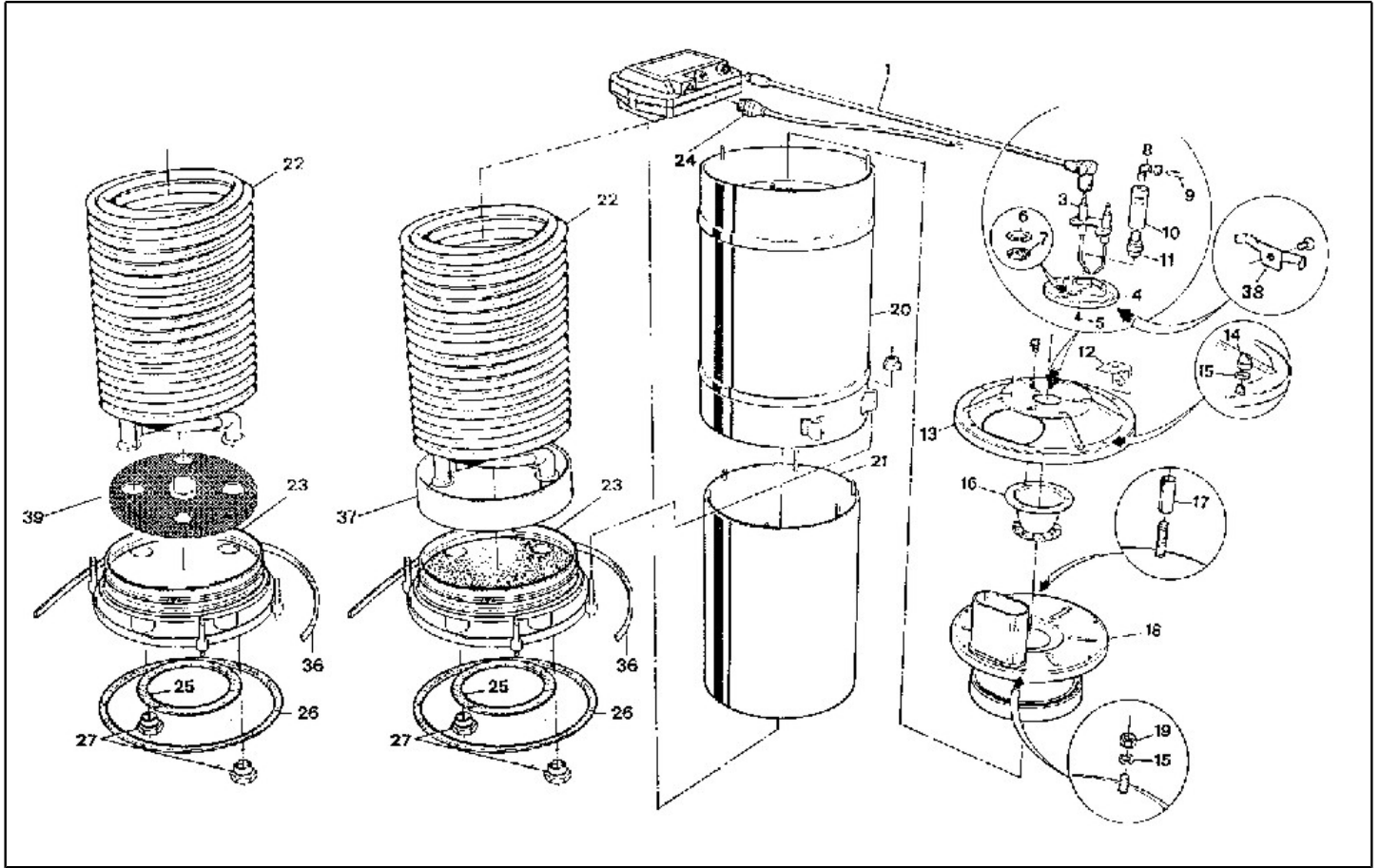
Ref. Part n.	Part n. 2	Description	Reference	Price
KTRI10643		KIT P 8- 1	0009 0010 0011 0012 0013 0014 0016	--
KTRI19599		KIT P 8- 3	0010 0011 0012 0013	--
KTRI26689		KIT P 7- 9	0071 0072 0073	--
KTRI26690		KIT P 6- 8	0069 0070	--



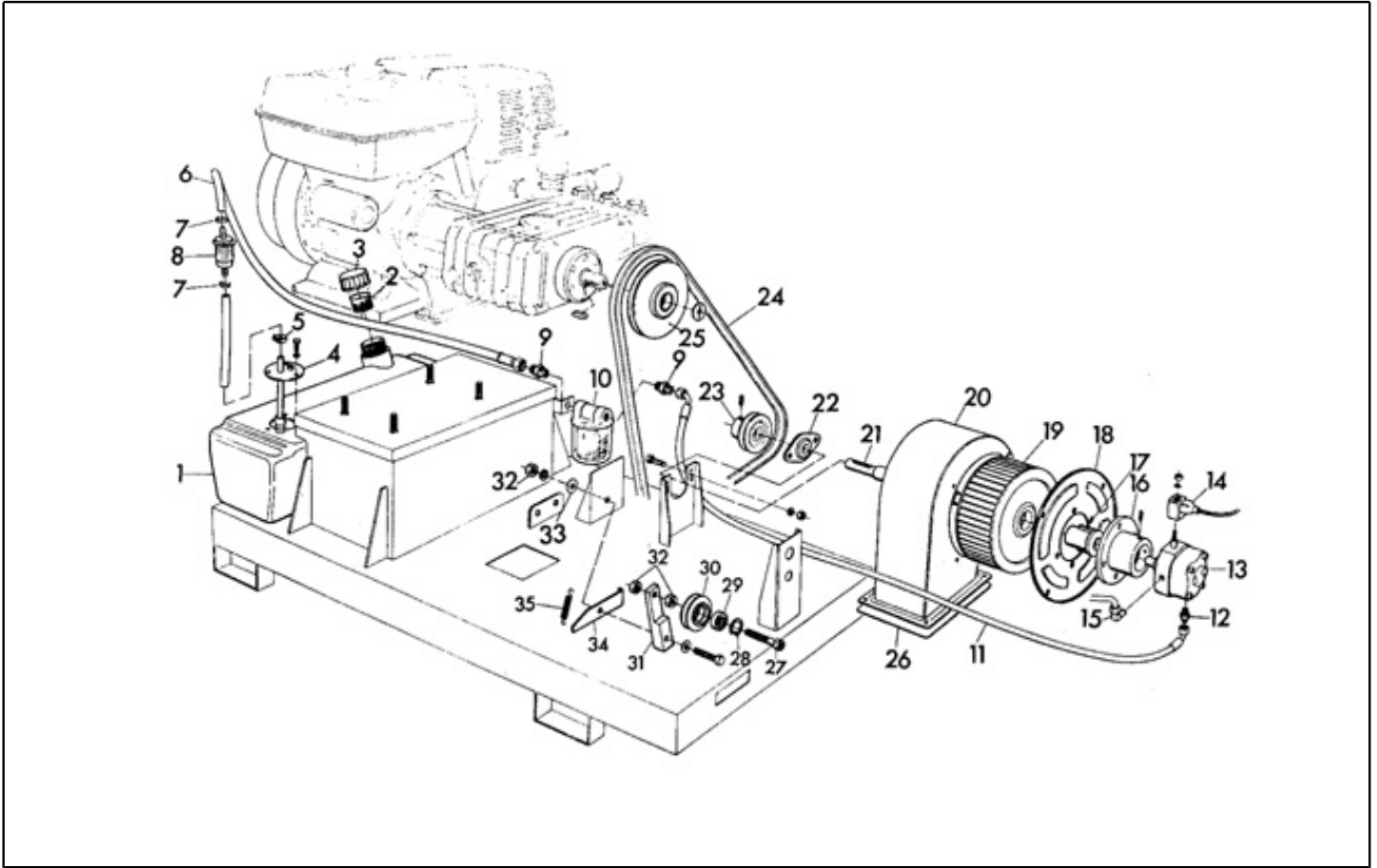


Ref. K	Part n.	Part n. 2	Description	Quantity	Validity		Price
					From	To	
0001	MECV35336		CABLE A.T. 9.8-23KOHM/M L= 750P	2,00			--
0003	S MECA12525		ELECTRODE FUT	1,00			--
0004	S MFVR18226		ELECTR.HOLDER FUT 3°V	1,00			--
0005	S VTVT01522		SCREW EI-ST 6X10 UNI5929	1,00			--
0006	S VTAE22633		SEEGER 0.4 X18,30X10,5	1,00			--
0007	S MPVR18228		OIL WARN-LIGHT D.17 X3	1,00			--
0008	S RCVR08954		ELBOW 1/8"-4 B5	1,00			--
0009	TBCO27088		DIESEL HOSE D. 4 SKID F.	1,00		19/01/2015	--
0009	TBCO40018		DIESEL HOSE D. 4 SKID F. INX	1,00	20/01/2015		--
0010	S RCDS07642		NOZZLE HOLDER FUT	1,00			--
0011	UGBR06389		BURNER NOZZLE 1.50 60 B	1,00		31/10/2012	--
0011	UGBR22576		BURNER NOZZLE 1.35 60 S	1,00	01/11/2012		--
0013	LAFN07676		BOILER COVER SE FUT INX	1,00	21/10/1999		--
0014	VTDD05907		NUT M 6 CIE.	6,00	21/10/1999		--
0015	VTRS00503		WASHER D. 6 UNI 6592	15,00	21/10/1999		--
0016	LAFN08042		BAFFLE FUT	1,00	21/10/1999		--
0017	LAFN09096		SPACER 10X28,5	3,00	21/10/1999		--
0018	LAFN08072		BOILER COVER SI FUT INX	1,00	21/10/1999		--
0019	VTDD00487		NUT M 6 OT UNI 5588	3,00	21/10/1999		--
0020	LAFN07674		EXT. CYLINDER FUT INX	1,00	21/10/1999		--
0021	LAFN07969		INT. CYLINDER FUT INX	1,00	21/10/1999	31/10/2007	--
0021	S LAFN40077		INT. CYLINDER FUT 2V.INX	1,00	01/11/2007		--
0022	LAFN06313		DOUBLE COIL 3/8 FUTURA P	1,00	21/10/1999		--
0023	LAFN12715		BOILER BOTTOM FUT	1,00	21/10/1999	31/10/2007	--
0023	S LAFN40038		BOILER BOTTOM FUT. 2V. BK	1,00	01/11/2007		--
0025	GUGO09094		GASKET FUT	1,00	21/10/1999		--
0026	GUGO00409		JOINT 15X3	1,05	21/10/1999		--
0027	RCDS00561		RING NUT 1/2 OTT	2,00	21/10/1999		--
0036	S GUVR35205		GASKET D. 7 FIB.	1,02	21/10/1999		--
0037	LAFN11708		METAL STRIP FUT	1,00	21/10/1999	31/10/2007	--
0038	S LAFN07641		PLATE INX	1,00			--
0039	S ITTE48421		BOTTOM FUT C.TE	1,00	01/11/2007		--

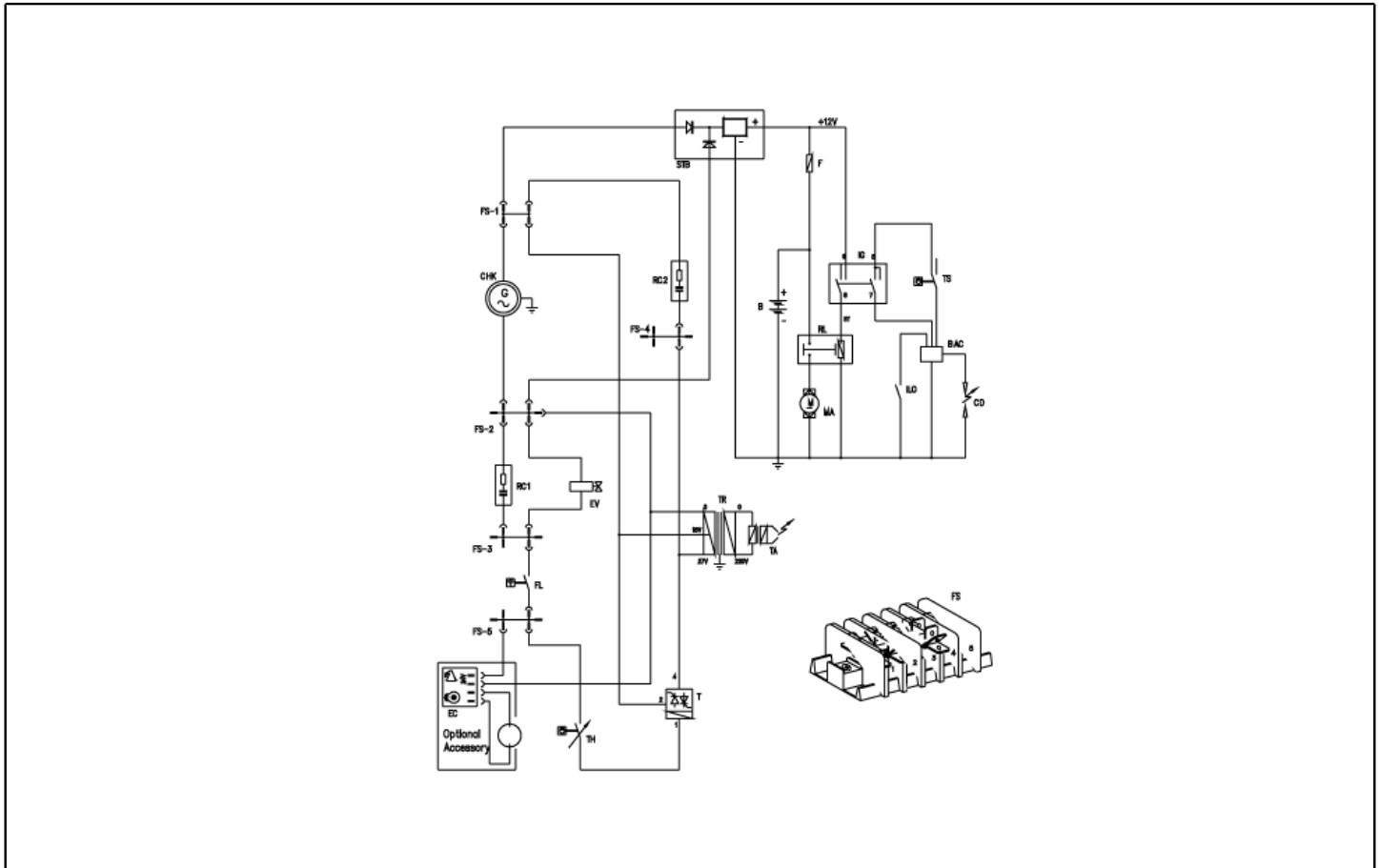




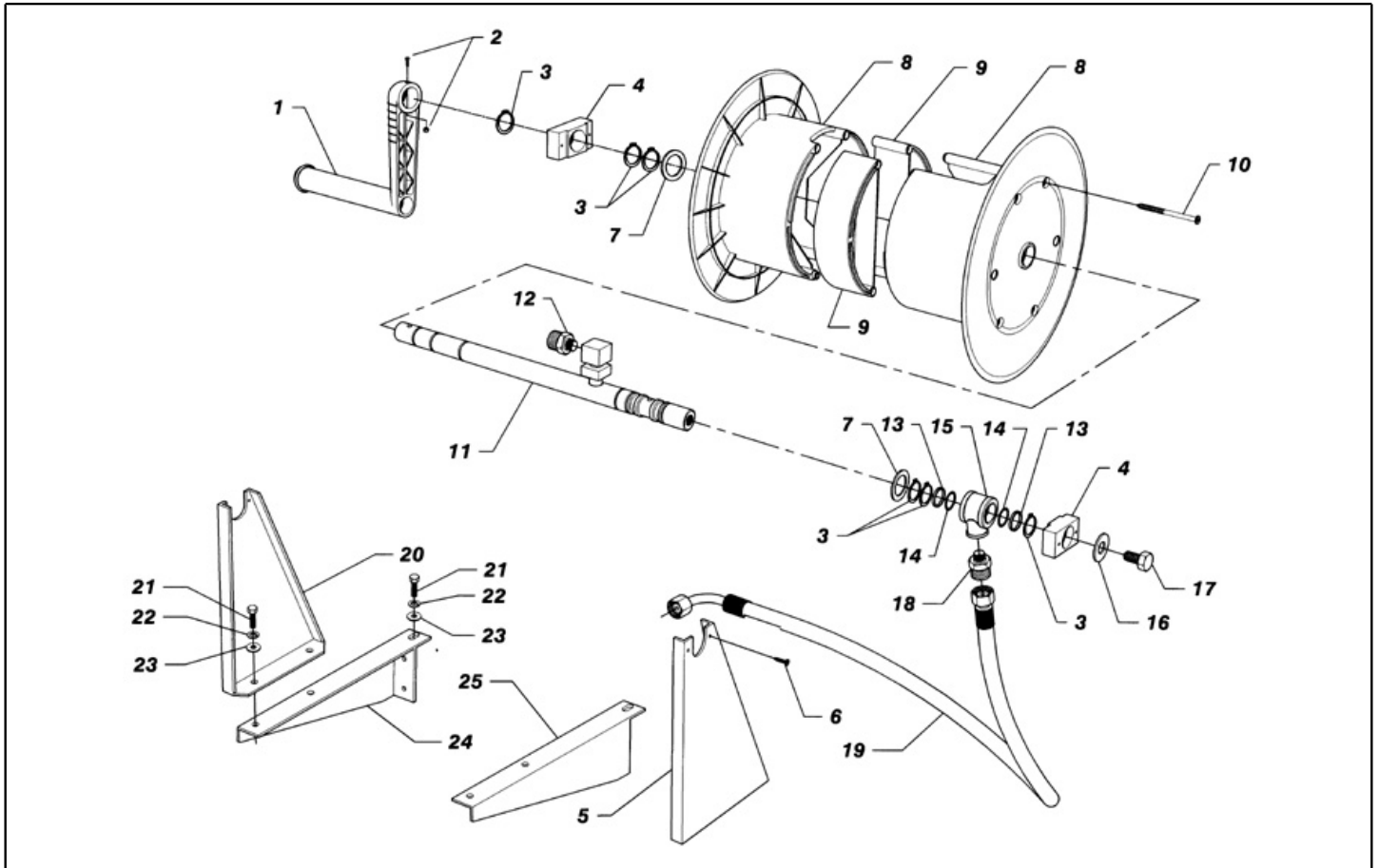
Ref. Part n.	Part n. 2	Description	Reference	Price
KTRI12533		KIT P 19- 4	0003 0004 0006 0007 0038	--
KTRI14147		KIT P 19- 1	0003 0004 0005 0006 0007 0008 0010 0038	--
9999 KTRI40022		KIT PX 1- 36 FT.30MT	0021 0023 0036 0039	--



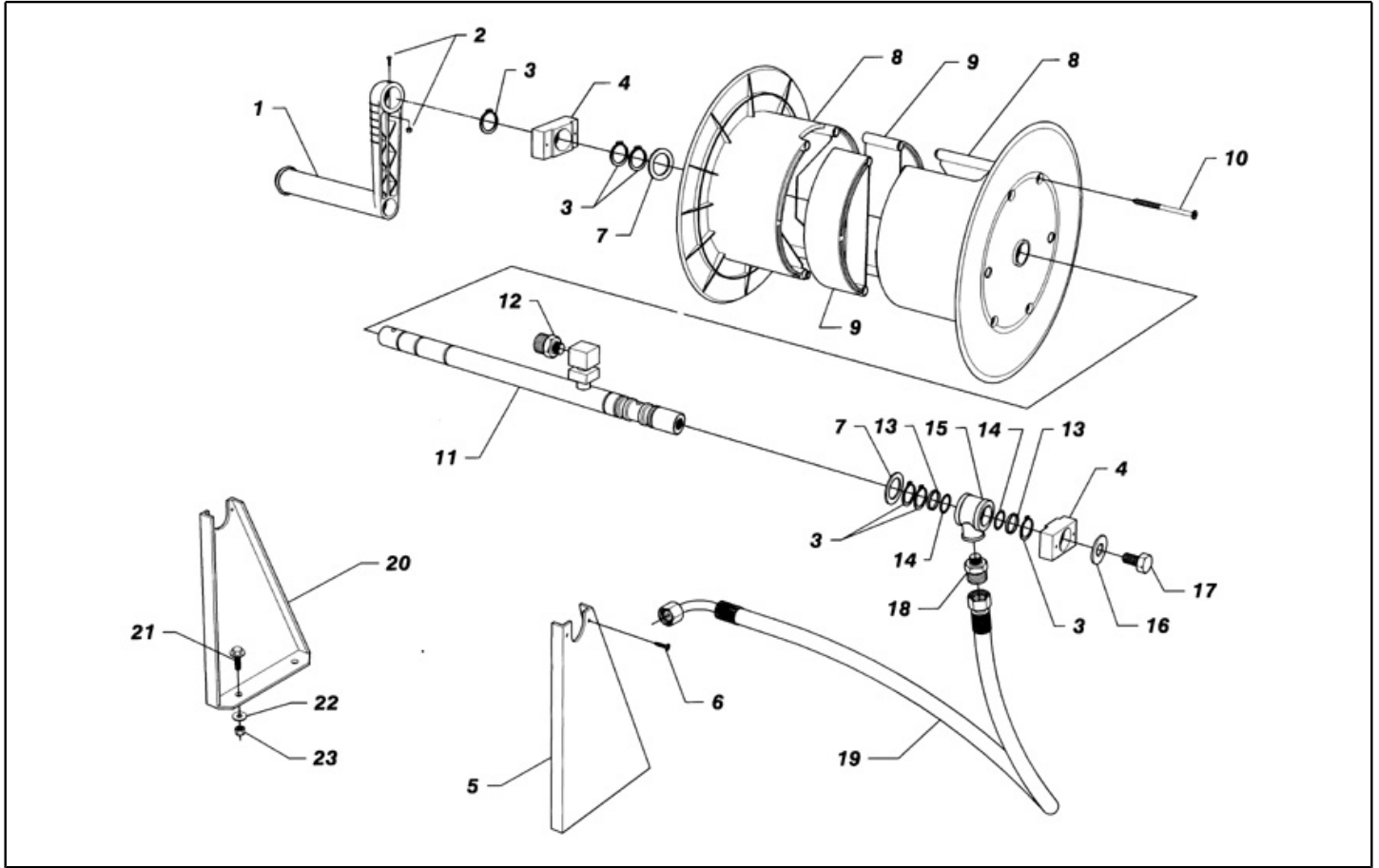
Ref. K	Part n.	Part n. 2	Description	Quantity	Validity		Price
					From	To	
0001	MPVR08435		FUEL TANK FUT	1,00			--
0002	FTCO17698		FILTER 121X54	1,00			--
0003	MPVR20418		TANK CAP KSM	1,00			--
0004	RCDS25731		FUEL UNIT SCN	1,00			--
0005	FSVR15255		CLAMP D. 8-12	1,00			--
0006	TBBP08667		L.P. HOSE L=870 1/4F 0°	1,00			--
0007	FSVR11197		CLAMP D.12.9-13.6	2,00			--
0008	FTCO10912		FILTER FB 13/T NYL.	1,00			--
0009	RCDS00608		NIPPLE 3/8 - 1/4 SV	2,00			--
0010	FTCO26816		FILTER G. 3/8 SP 0.1	1,00			--
0011	TBBP15891		L.P. HOSE L=680 1/4F90°- 90° 180°	1,00			--
0012	RCDS00607		NIPPLE 1/4 - 1/4 SV	1,00			--
0013	PPGS18980		FUEL PUMP DLT VM1RL15	1,00		09/01/2005	--
0013	PPGS40002		FUEL PUMP DNF BFA 01R3R1	1,00	20/04/2011	12/12/2012	--
0013	PPGS48503		FUEL PUMP DLT ALLUM. A1R1	1,00	13/12/2012		--
0013	PPGS48503		FUEL PUMP DLT ALLUM. A1R1	1,00	10/01/2005	19/04/2011	--
0016	LAFN26814		FLANGE SKID F.	1,00			--
0017	FGGT10791		JOINT VEDI 36516	1,00			--
0018	LAFN10272		MOTOR PLATE CB 3	1,00			--
0019	VEVR14189		FAN F.165 B D.137X80	1,00			--
0020	LAFN14188		SCROLL F.165 B	1,00			--
0021	LAFN26813		SHAFT SKID F.	1,00			--
0022	CUVR12061		BALL BEARING UBPFL203	1,00	14/01/2000	20/10/2006	--
0022	CUVR75815		BALL BEARING UBPFL203	1,00	21/10/2006		--
0023	MTPL15048		PULLEY 60 -1Z D.17	1,00	14/01/2000		--
0024	MTCG27084		BELT SPZ 962	1,00			--
0025	MTPL21690		PULLEY 140-1Z D.24	1,00			--
0026	GUGO11214		GASKET FLL	1,00			--
0027	LAFN27198		PIN SKID F.	1,00			--
0028	VTAE09367		CIRCLIP D. 28 UNI 7437	1,00			--
0029	CUVR15159		BALL BEARING 6001-2RS1	1,00			--
0030	MTPL15332		PULLEY 50 -1Z	1,00			--
0031	LAFN28879		BELT-STR.LEVER SKID F.	1,00			--
0032	VTDD01682		NUT M12 ZC UNI 5588	3,00			--
0033	VTRS15918		WASHER D.12 INX UNI 6593	1,00			--
0034	LAFN28883		BRACKET SKID F.	1,00			--
0035	MLML12055		SPRING TR144 D. 12 X41 F.1.5	1,00			--
9999	FTCO17886		FILTER VM1 RL2 H.22	1,00			--
9999	GUVR02546		GASKET COVER	1,00			--



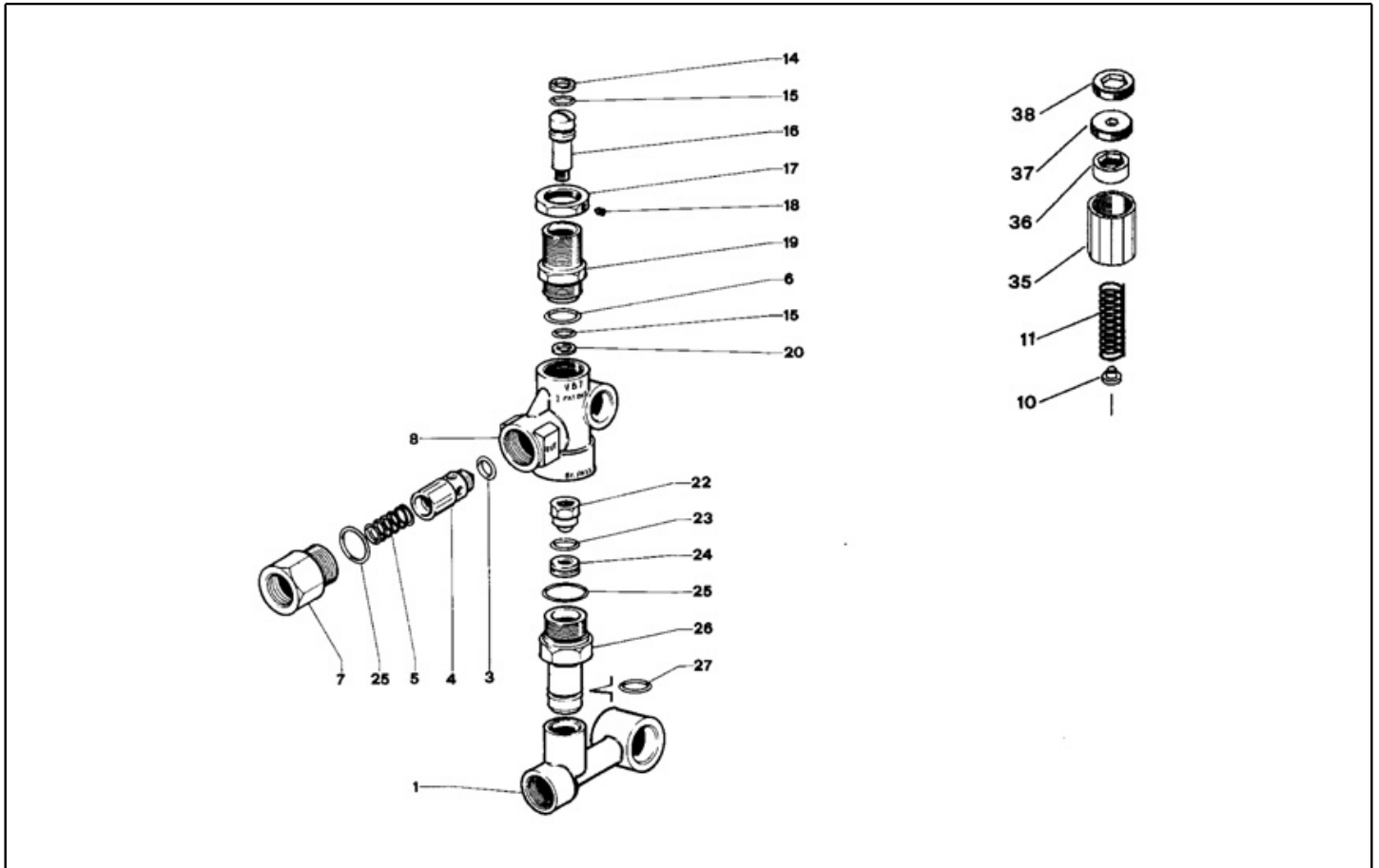
Ref. K	Part n.	Part n. 2	Description	Quantity	Validity		Price
					From	To	
B	BAAC06153		BATTERY 60 AH 12V 300A	1,00			--
T	METY26805		TIMER 12-20V AC 3S.	1,00			--
EC	MECE28054		ELEC.CIRCUIT D.NM1 24V	1,00			--
EV	MEBE37515		COIL DLT 24V 95HZ F84	1,00	10/02/2000	09/01/2005	--
EV	MEBE43704		COIL DNF 24-50	1,00	20/04/2011	12/12/2012	--
EV	MEBE88628		COIL DLT 24V-95HZ NF84	1,00	13/12/2012		--
EV	MEBE88628		COIL DLT 24V-95HZ NF84	1,00	10/01/2005	19/04/2011	--
FL	MEPF06949		FLOW SWITCH ST5 L=1.300	1,00			--
IG	MECI31934		SWITCH GX 340	1,00			--
PA	MEPD25575		DESCALING PUMP NME-1 24V CPL.	1,00			--
RC	MECE15873		RESISTANCE RC 1MF 120 OHM	2,00	10/02/2000		--
TA	METR34464		TRANSFORMER 230V-50HZ 2X4000V SP4 CM	1,00			--
TH	METK26862		THERMOSTAT 0-150° L=1500	1,00			--
TR	METR26644		TRANSFORMER 90/15VA 230V/15-27V 100HZ	1,00			--
TS	METK34839		THERMOSTAT 60°C TU V ST T.F. C.1.5	1,00		27/11/2003	--
TS	METK87541		THERMOSTAT 50°C TU V ST T.F. C.1.5	1,00	28/11/2003		--



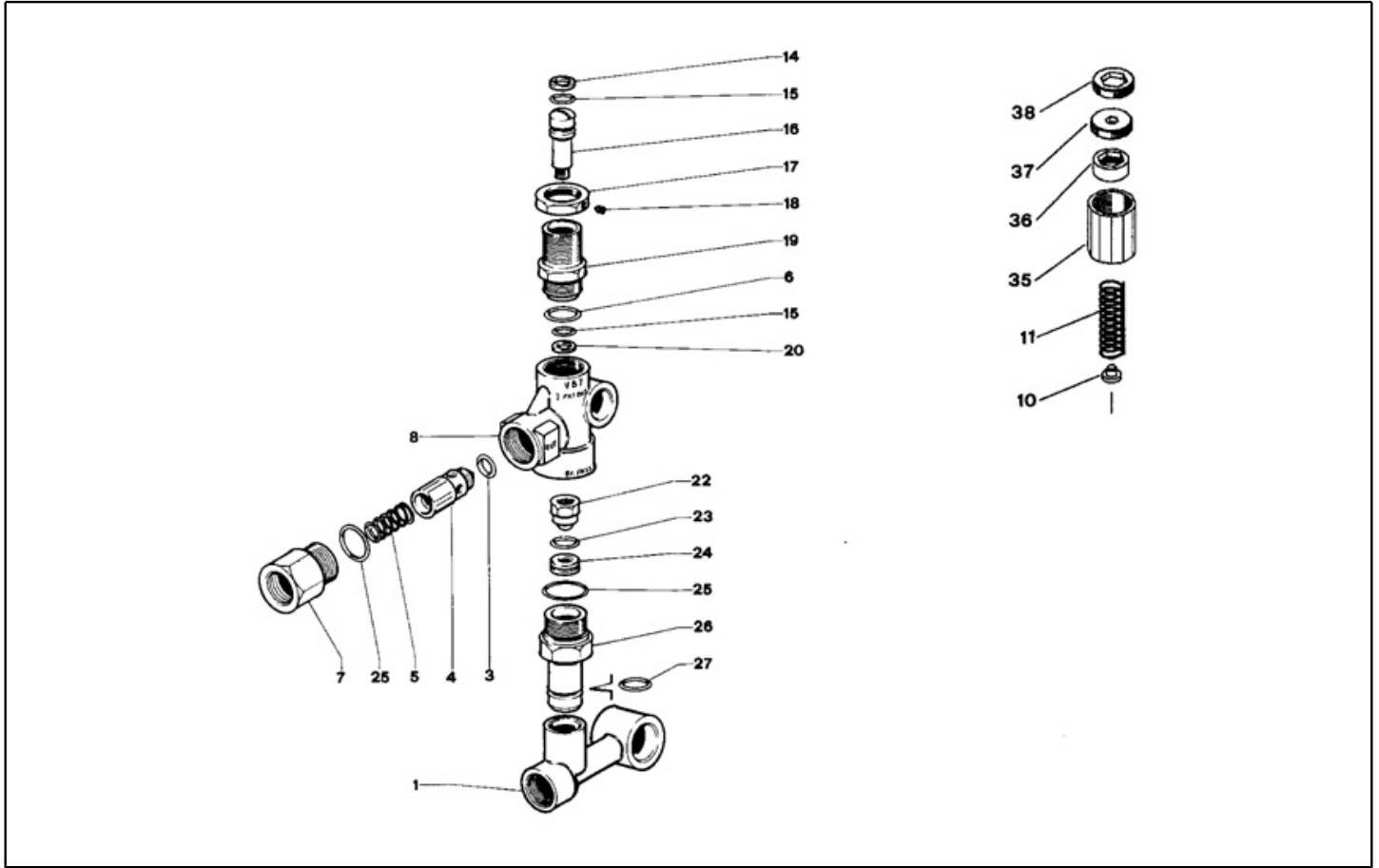
Ref. K	Part n.	Part n. 2	Description	Quantity	Validity		Price
					From	To	
0001	MPVR31495		HANDLE PRT D. 3.5	1,00			--
0002	VTVT43875		SCREW TSPEI 4X40 UNI5933	1,00	04/12/2000		--
0003	VTAE33674		CIRCLIP D. 22 UNI 7435	3,00	03/06/1998		--
0004	MPVR38014		BLOCK PRT SKID-F NYL	2,00	25/11/1997		--
0005	LAFN26264		HOSE WIND.SUPP. PRT HS 2°V DX	1,00			--
0006	VTVT29165		SCREW AF TCB-TC 5 X20 TL	4,00	03/06/1998	09/09/2007	--
0006	VTVT40006		SCREW AF TCB-TC 5 X20 HILO INX	4,00	10/09/2007		--
0007	VTRS04924		WASHER D.23X 39	2,00	25/11/1997		--
0008	MPVR37152		HOSE REEL PRT PP	2,00	25/11/1997	30/09/2013	--
0008	MPVR40581		HOSE REEL PRT.ANM PP	2,00	01/10/2013		--
0009	MPVR39257		SPACER A.T PP	2,00	28/04/1998		--
0010	VTVT39735		SCREW TCB-TC 5 X80 TL P/PLS	4,00	03/06/1998		--
0011	LAFN39088		AXLE PRT MGG.	1,00	04/11/2000	31/08/2004	--
0011	LAFN48954		AXLE PRT MAGG. 2V. 3PZ.	1,00	01/09/2004		--
0012	RCIN10577		MALE COUPLING 1/4MA	1,00	04/11/2000		--
0013	GUVR37665		ANTI-EXTR.RING D.17.8X22 X1.5 PTFE	2,00	25/11/1997		--
0014	GUGO01032		O-RING D. 17.13 X 2.62 NBR 70SH	2,00	25/11/1997		--
0015	RCDS37667		BLOCK PRT OT.	1,00	04/11/2000	04/06/2010	--
0015	RCDS89862		BLOCK PRT-P237 G3/8 OT.	1,00	05/06/2010		--
0016	VTRS00514		WASHER D.10X30X11.4	1,00	25/11/1997		--
0017	VTVT00454		SCREW TE 10X16	1,00	25/11/1997		--
0018	RCDS00608		NIPPLE 3/8 - 1/4 SV	1,00	04/11/2000	04/06/2010	--
0018	RCDS00610		NIPPLE 3/8 - 3/8 SV	1,00	05/06/2010		--
0019	TBAP37668		HOSE-FITTING 3/ 8 L=550 R2 3/8F-M22 90	1,00	10/02/1999		--
0020	LAFN26266		HOSE WIND.SUPP. PRT HS 2°V SX	1,00			--
0021	VTDD04369		NUT M 4 TEF UNI 7473	1,00	04/12/2000		--
0021	VTVT15143		SCREW TE 6X16 UNI5739	10,00			--
0022	VTRS15144		WASHER D. 6 INX GRW UNI 1751	10,00			--
0023	VTRS13945		WASHER D. 6X18 INX UNI 6593	10,00			--
0024	LAFN26768		RIGHT SUPPORT SKID F.	1,00			--
0025	LAFN26770		LEFT SUPPORT SKID F.	1,00			--



Ref. K	Part n.	Part n. 2	Description	Quantity	Validity		Price
					From	To	
0001	MPVR31495		HANDLE PRT D. 3.5	1,00			--
0002	VTVT43875		SCREW TSPEI 4X40 UNI5933	1,00	04/12/2000		--
0003	VTAE33674		CIRCLIP D. 22 UNI 7435	3,00	03/06/1998		--
0003	VTAE33674		CIRCLIP D. 22 UNI 7435	2,00	11/12/2001		--
0004	MPVR38014		BLOCK PRT SKID-F NYL	2,00	25/11/1997		--
0005	LAFN26264		HOSE WIND.SUPP. PRT HS 2°V DX	1,00			--
0006	VTVT29165		SCREW AF TCB-TC 5 X20 TL	4,00	03/06/1998	09/09/2007	--
0006	VTVT40006		SCREW AF TCB-TC 5 X20 HILO INX	4,00	10/09/2007		--
0007	VTRS04924		WASHER D.23X 39	1,00	25/11/1997		--
0008	MPVR37152		HOSE REEL PRT PP	2,00	25/11/1997	30/09/2013	--
0008	MPVR40581		HOSE REEL PRT.ANM PP	2,00	01/10/2013		--
0009	MPVR39257		SPACER A.T PP	2,00	28/04/1998		--
0010	VTVT39735		SCREW TCB-TC 5 X80 TL P/PLS	4,00	03/06/1998		--
0011	LAFN39088		AXLE PRT MGG.	1,00	04/11/2000	31/08/2004	--
0011	LAFN48954		AXLE PRT MAGG. 2V. 3PZ.	1,00	01/09/2004		--
0012	VTDD04369		NUT M 4 TEF UNI 7473	1,00	04/12/2000		--
0012	RCIN10577		MALE COUPLING 1/4MA	1,00	04/11/2000		--
0013	GUVR37665		ANTI-EXTR.RING D.17.8X22 X1.5 PTFE	2,00	25/11/1997		--
0014	GUGO01032		O-RING D. 17.13 X 2.62 NBR 70SH	2,00	25/11/1997		--
0015	RCDS37667		BLOCK PRT OT.	1,00	04/11/2000	04/06/2010	--
0015	RCDS89862		BLOCK PRT-P237 G3/8 OT.	1,00	05/06/2010		--
0016	VTRS00514		WASHER D.10X30X11.4	1,00	25/11/1997		--
0017	VTVT00454		SCREW TE 10X16	1,00	25/11/1997		--
0018	RCDS00608		NIPPLE 3/8 - 1/4 SV	1,00	04/11/2000	04/06/2010	--
0018	RCDS00610		NIPPLE 3/8 - 3/8 SV	1,00	05/06/2010		--
0019	TBAP37668		HOSE-FITTING 3/8 L=550 R2 3/8F-M22 90	1,00	31/01/1998		--
0020	LAFN26266		HOSE WIND.SUPP. PRT HS 2°V SX	1,00			--
0021	VTVT15143		SCREW TE 6X16 UNI5739	4,00			--
0022	VTRS13945		WASHER D. 6X18 INX UNI 6593	4,00			--
0023	VTDD07887		NUT M 6 SERPRESS	4,00			--

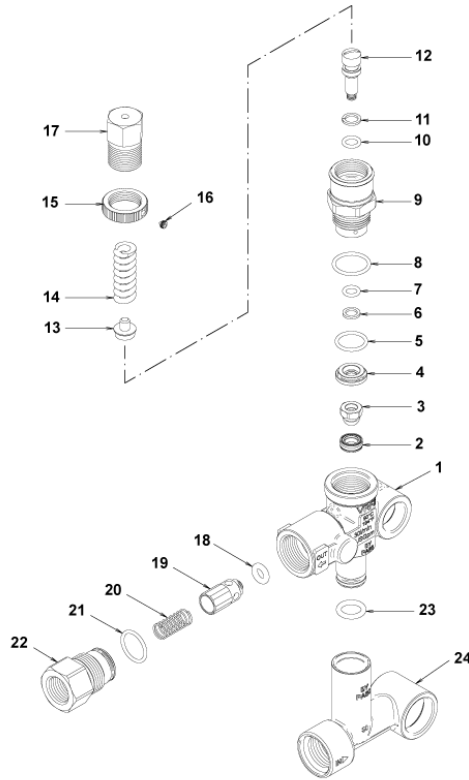


Ref. K	Part n.	Part n. 2	Description	Quantity	Validity		Price
					From	To	
0001	PVVR24912		CONNECTOR G1/2 VB 7	1,00			--
0003	S	GUGO06824	O-RING D. 6 X 3 NBR 70SH	1,00			--
0004	PVVR29750		PIN VB 7 2V.	1,00			--
0005	MLML29751		SPRING VB 7	1,00			--
0006	S	GUGO24913	O-RING D. 17.17 X 1.78 NBR 90SH	1,00			--
0007	PVVR29752		CONNECTOR VB 7 3/8F 2V.	1,00			--
0008	PVVR29753		VALVE BODY VB 7 2V.	1,00			--
0010	PVVR21510		SUPPORT AISI 430	1,00			--
0011	MLML10727		SPRING D. 3	1,00			--
0014	S	GUVR24920	ANTI-EXTR.RING D. 11 X 6.4	1,00			--
0015	S	GUGO24916	O-RING D. 6.02 X 2.62 NBR 90SH	2,00			--
0016	PVVR24917		SMALL PISTON VB 7 +P.BACK	1,00			--
0017	PVVR12471		RING NUT VPO	1,00			--
0018	VTVT24918		SCREW EI-ST 4X 4 UNI5927	1,00			--
0019	PVVR38740		CONNECTOR VB7-RG.	1,00			--
0020	S	GUVR24915	ANTI-EXTR.RING D. 11.6 X 7	1,00			--
0022	S	PVVR24921	COUPLING M6 INX	1,00			--
0023	S	GUGO24922	O-RING D. 11.11 X 1.78 NBR 90SH	1,00			--
0024	S	PVVR24923	BALL SEAT D. 8.5 + O-RING	1,00			--
0025	S	GUGO24924	O-RING D. 18.77 X 1.78 NBR 90SH	2,00			--
0026	PVVR24926		CONNECTOR VB 7 L=24	1,00			--
0027	GUGO12714		O-RING D. 10.3 X 2.4 VIT 70SH	1,00			--
0035	PVVR38736		CAP VB7-RG.	1,00			--
0036	PVVR38739		RING NUT VB7-RG.	1,00			--
0037	PVVR38738		REGISTER VB7-RG.	1,00			--
0038	PVVR38737		CLAMP VB7-RG.	1,00			--

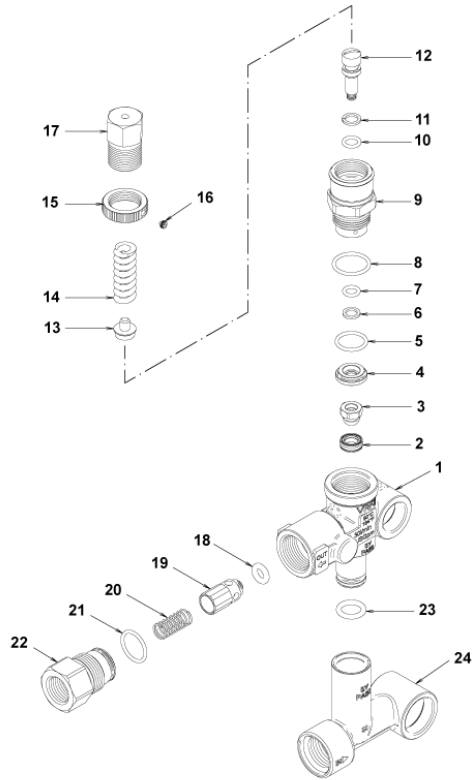


Ref. Part n.	Part n. 2	Description	Reference	Price
KTRI26772	KIT P 14- 35		0003 0006 0014 0015 0020 0023 0024 0025 0022	--

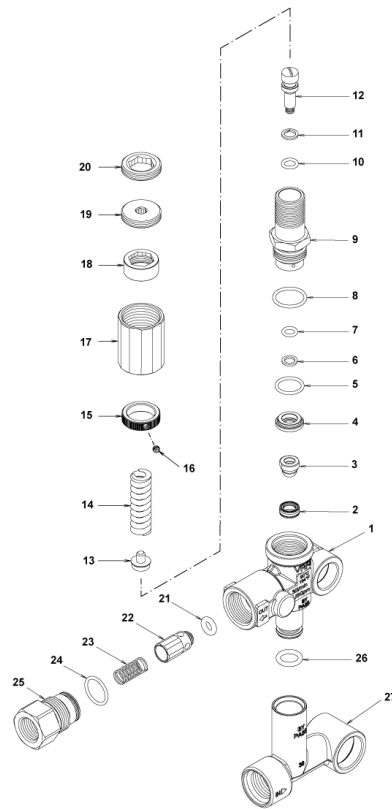




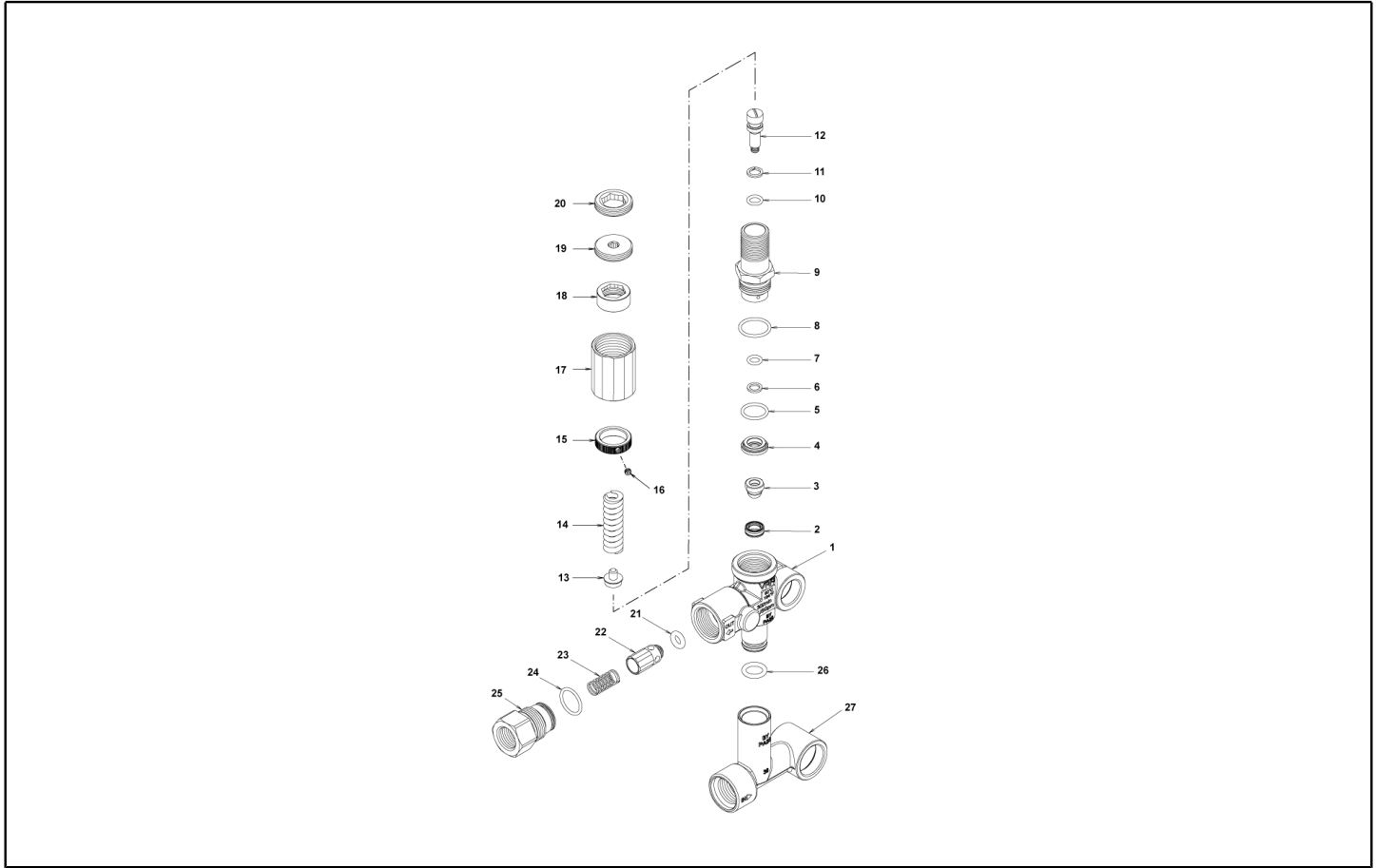
Ref. K	Part n.	Part n. 2	Description	Quantity	Validity		Price
					From	To	
0001	PVVR40362		VALVE BODY VRF2	1,00			--
0002	S PVVR40363		VALVE SEAT MV124 +OR	1,00			--
0003	S PVVR40364		COUPLING MV124	1,00			--
0004	S PVVR40365		SPACER MV124	1,00			--
0005	S GUGO12322		O-RING D. 14 X 1.78 NBR 90SH	1,00			--
0006	S GUVR40072		ANTI-EXTR.RING D. 6.5X 9.4	1,00			--
0007	S GUGO83861		O-RING D. 6.07 X 1.78 NBR 90SH	1,00			--
0008	S GUGO24913		O-RING D. 17.17 X 1.78 NBR 90SH	1,00			--
0009	S PVVR40366		CONNECTOR VRF2 D.10	1,00			--
0010	S GUGO03500		O-RING D. 6.75 X 1.78 NBR 70SH	1,00			--
0011	S GUVR40073		ANTI-EXTR.RING D. 7.1X10 X1.2 TBT	1,00			--
0012	S PVVR40367		SMALL PISTON D.10 VRF2	1,00			--
0013	PVVR40368		SPRING PLATE MV124 25B	1,00			--
0014	MLML40027		SPRING D. 3.0/6.0 X38.85	1,00			--
0015	PVVR40369		RING NUT MV167.09	1,00			--
0016	VTVT89696		SCREW EI-ST 4X 4 UNI5927 ZC	1,00			--
0017	PVVR40370		CAP VRF2 M18X1	1,00			--
0018	S GUGO46053		O-RING D. 6 X 3 NBR 90SH	1,00			--
0019	S PVVR40349		COUPLING VRT3	1,00			--
0020	S MLML40026		SPRING VRT3	1,00			--
0021	S GUGO12321		O-RING D. 15.6 X 1.78 NBR 90SH	1,00			--
0022	PVVR40350		CONNECTOR VRT3 G 3/8F	1,00			--
0023	GUGO11225		O-RING D. 10.78 X 2.62 NBR 70SH	1,00			--
0024	PVVR40371		CONNECTOR VRF2.38	1,00			--



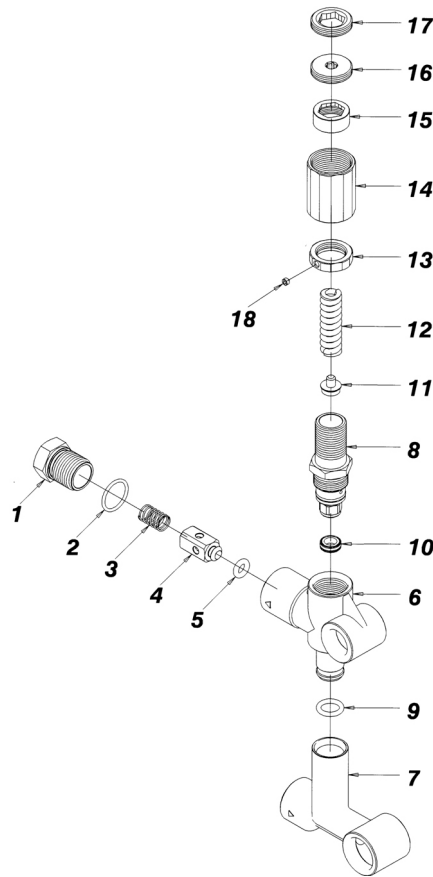
Ref. Part n.	Part n. 2	Description	Reference	Price
KTRI40236		KIT P 14-103 VRF2	0002 0003 0004 0005 0006 0007 0008 0009 0010 0011 0012 0018 0019 0020 0021	--
KTRI40237		KIT P 14-104 SET GUARNIZIONI	0002 0003 0005 0006 0007 0008 0010 0011 0018 0021	--



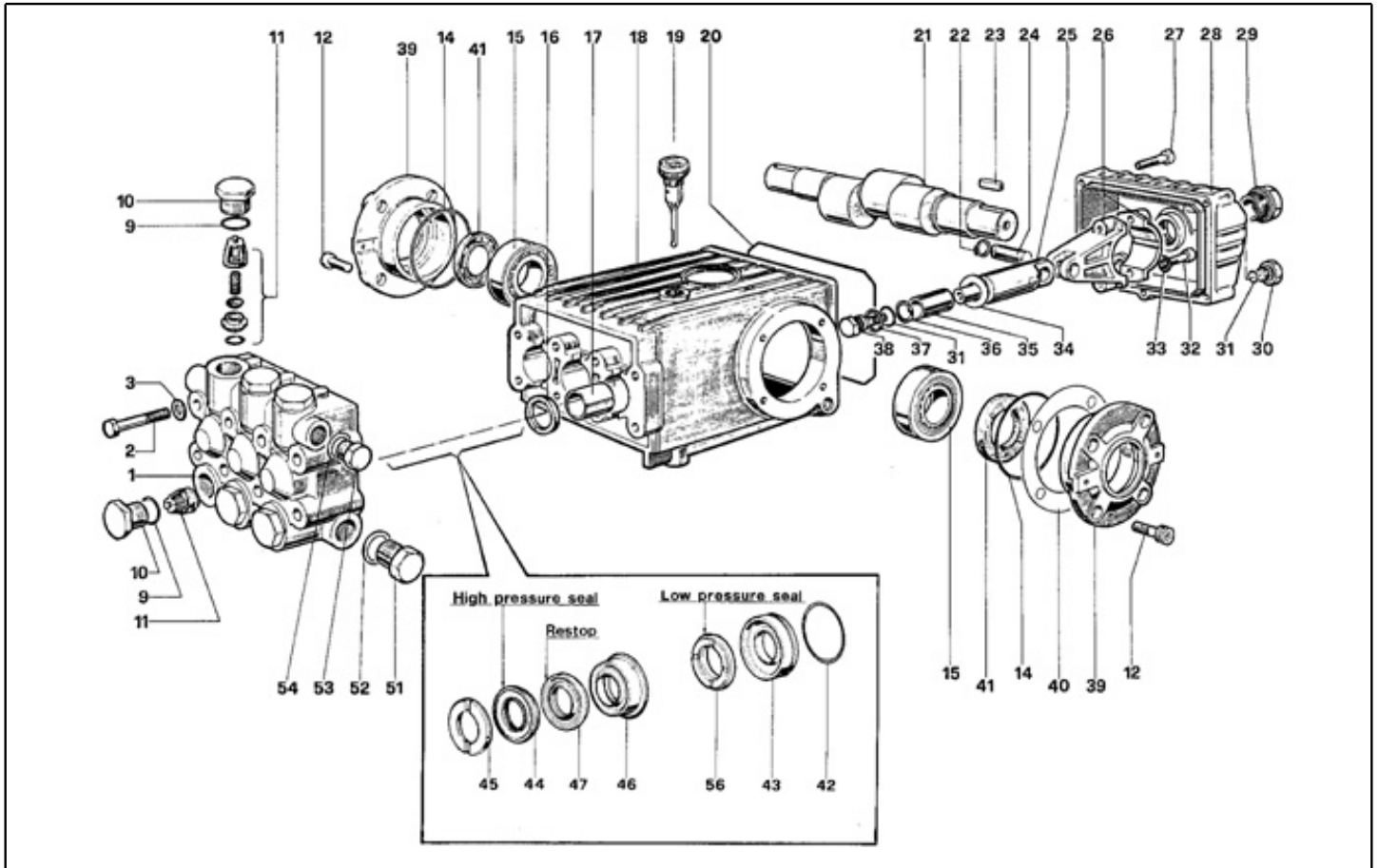
Ref. K	Part n.	Part n. 2	Description	Quantity	Validity		Price
					From	To	
0001	PVVR40362		VALVE BODY VRF2	1,00			--
0002	S PVVR40363		VALVE SEAT MV124 +OR	1,00			--
0003	S PVVR40364		COUPLING MV124	1,00			--
0004	S PVVR40365		SPACER MV124	1,00			--
0005	S GUGO12322		O-RING D. 14 X 1.78 NBR 90SH	1,00			--
0006	S GUVR40072		ANTI-EXTR.RING D. 6.5X 9.4	1,00			--
0007	S GUGO83861		O-RING D. 6.07 X 1.78 NBR 90SH	1,00			--
0008	S GUGO24913		O-RING D. 17.17 X 1.78 NBR 90SH	1,00			--
0009	S PVVR40388		CONNECTOR VRF2 RG.165 56A	1,00			--
0010	S GUGO03500		O-RING D. 6.75 X 1.78 NBR 70SH	1,00			--
0011	S GUVR40073		ANTI-EXTR.RING D. 7.1X10 X1.2 TBT	1,00			--
0012	S PVVR40367		SMALL PISTON D.10 VRF2	1,00			--
0013	S PVVR40368		SPRING PLATE MV124 25B	1,00			--
0014	S MLML47987		SPRING D. 3.25X41.1 MV 625	1,00			--
0015	S PVVR40369		RING NUT MV167.09	1,00			--
0016	S VTVT89696		SCREW EI-ST 4X 4 UNI5927 ZC	1,00			--
0017	S PVVR47989		CAP MV 625 REG.	1,00			--
0018	S PVVR47990		RING NUT MV 625 REG.	1,00			--
0019	S PVVR47991		REGISTER MV 625 REG.	1,00			--
0020	S PVVR47992		CLAMP MV 625 REG.	1,00			--
0021	S GUGO46053		O-RING D. 6 X 3 NBR 90SH	1,00			--
0022	PVVR40349		COUPLING VRT3	1,00			--
0023	MLML40026		SPRING VRT3	1,00			--
0024	S GUGO12321		O-RING D. 15.6 X 1.78 NBR 90SH	1,00			--
0025	PVVR40350		CONNECTOR VRT3 G 3/8F	1,00			--
0026	GUGO11225		O-RING D. 10.78 X 2.62 NBR 70SH	1,00			--
0027	PVVR40371		CONNECTOR VRF2.38	1,00			--



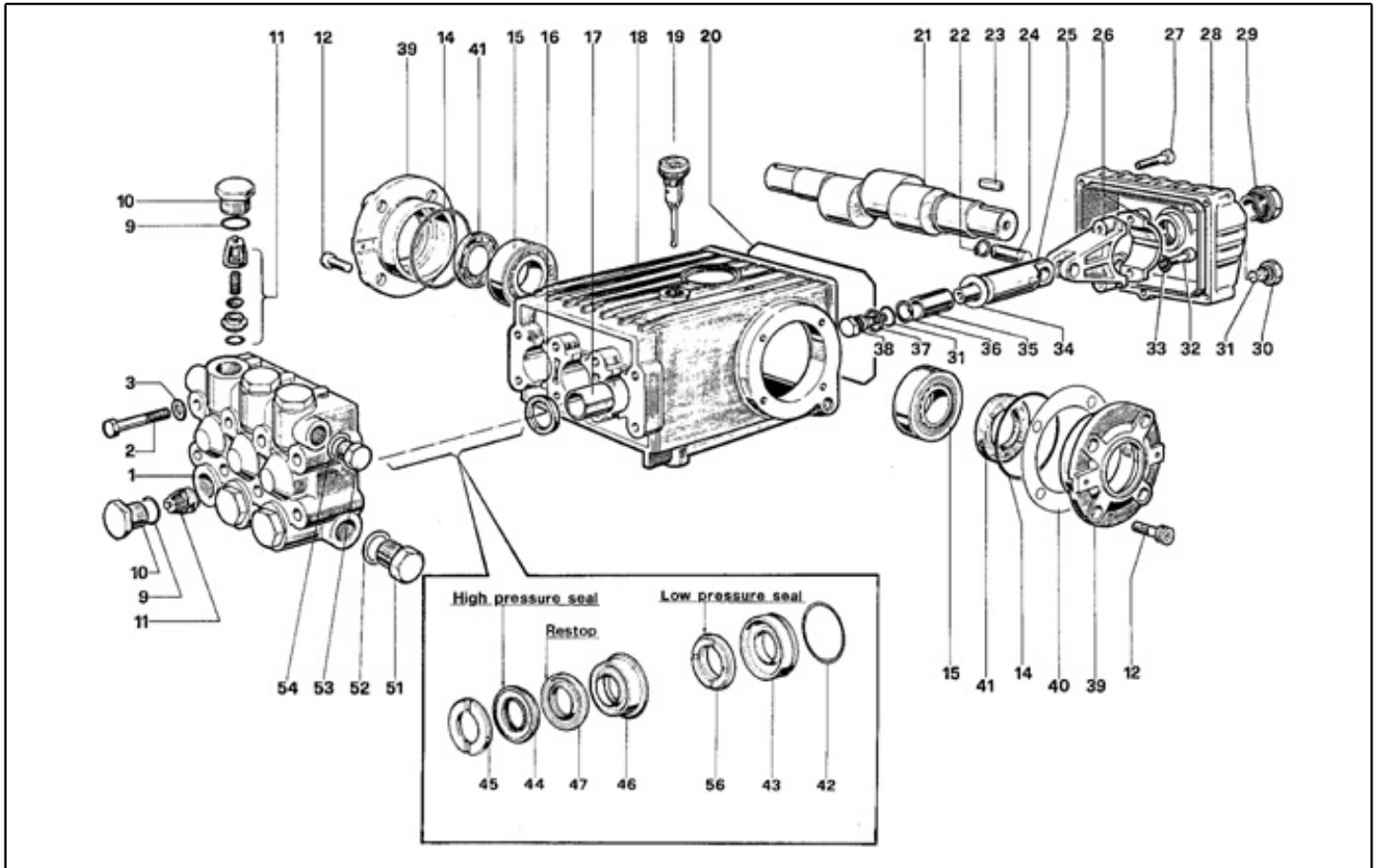
Ref. Part n.	Part n. 2	Description	Reference	Price
KTRI40237		KIT P 14-104 SET GUARNIZIONI	0002 0003 0005 0006 0007 0008 0010 0011 0021 0024	--
KTRI40256		KIT P 14-105 VRF2 Reg.	0002 0003 0004 0005 0006 0007 0008 0009 0010 0011 0012 0013 0014 0015 0016 0017 0018 0019 0020	--



Ref. K	Part n.	Part n. 2	Description	Quantity	Validity		Price
					From	To	
0001	PVVR47977		CONNECTOR MV625 G 3/8F	1,00			--
0002	GUGO01058		O-RING D. 17.17 X 1.78 NBR 70SH	1,00			--
0003	MLML47978		SPRING MV 625	1,00			--
0004	PVVR47979		PIN MV 625	1,00			--
0005	GUGO46053		O-RING D. 6 X 3 NBR 90SH	1,00			--
0006	PVVR47980		VALVE BODY MV 625	1,00			--
0007	PVVR47997		CONNECTOR MV 625 H.73	1,00			--
0008	PVVR47988		CONNECTOR MV 625 REG.	1,00			--
0009	GUGO11225		O-RING D. 10.78 X 2.62 NBR 70SH	1,00			--
0010	PVVR47985		VALVE SEAT MV 625 + O-RING	1,00			--
0011	PVVR47986		SPRING PLATE MV 625	1,00			--
0012	MLML47987		SPRING D. 3.25X41.1 MV 625	1,00			--
0013	PVVR47984		RING NUT MV 625	1,00			--
0014	PVVR47989		CAP MV 625 REG.	1,00			--
0015	PVVR47990		RING NUT MV 625 REG.	1,00			--
0016	PVVR47991		REGISTER MV 625 REG.	1,00			--
0017	PVVR47992		CLAMP MV 625 REG.	1,00			--
0018	VTVT24918		SCREW EI-ST 4X 4 UNI5927	1,00			--

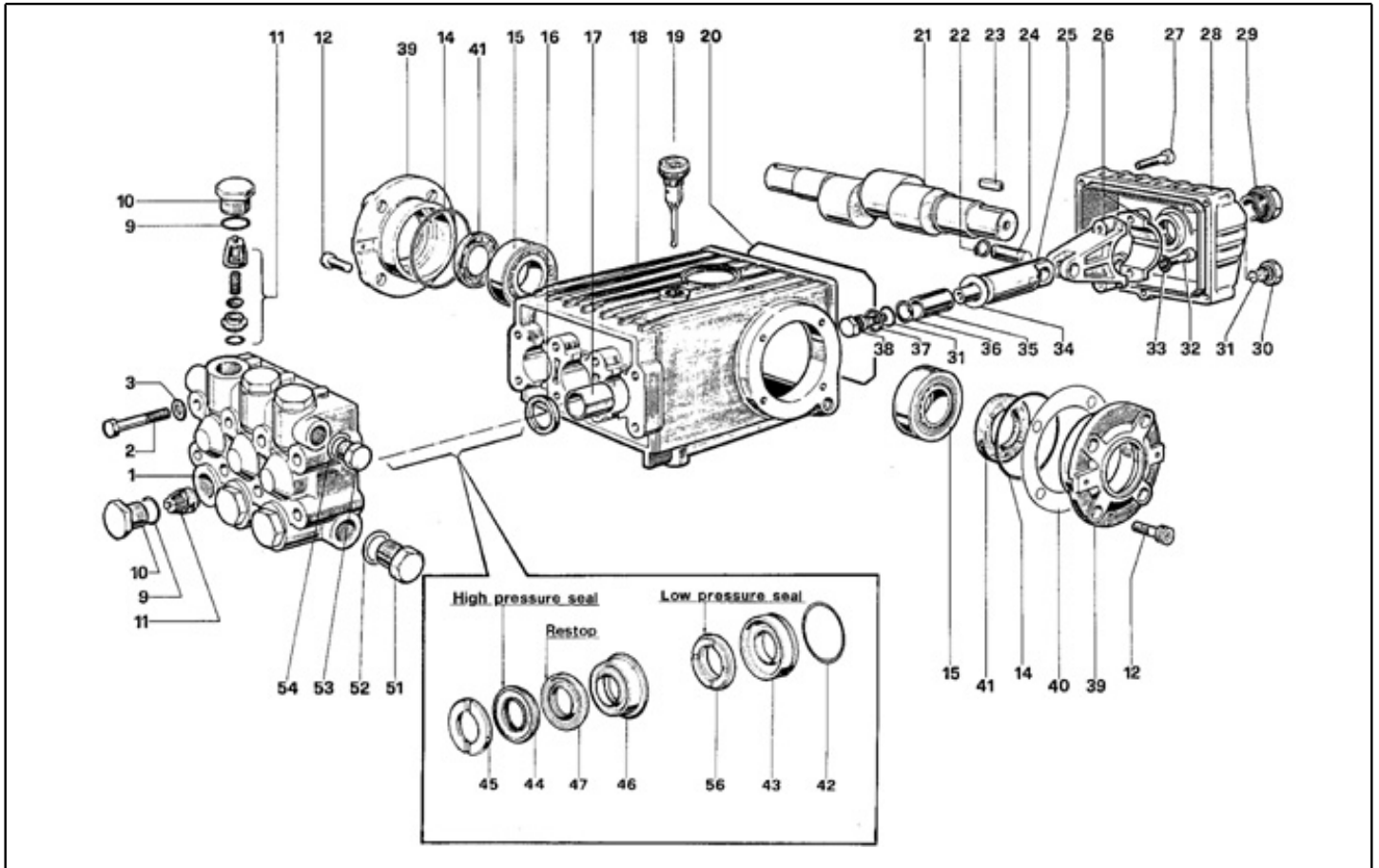


Ref. K	Part n.	Part n. 2	Description	Quantity	Validity		Price
					From	To	
0001	MFVR01097		HEAD W 151	1,00			--
0002	VTVT01111		SCREW TE M 8X70 UNI 5737 A.10.9	8,00			--
0003	VTRS01072		WASHER D. 8 TC	8,00			--
0009	S GUGO01033		O-RING D. 20.24 X 2.62 NBR 90SH	6,00			--
0010	S RCDS01087		CAP M24X2X16 OTT	6,00			--
0011	S VVAM01104		VALVE UNIT W 70-151	6,00			--
0012	VTVT01118		SCREW TCEI M 8X16 ZC. UNI 5931	8,00			--
0014	GUGO01041		O-RING D. 67.95 X 2.62 NBR 70SH	2,00			--
0015	CUVR09205		ROLLER BEARING 32206 A	2,00			--
0016	S GUGO01000		OIL SEAL 22X 32X 5 NBR70	3,00			--
0017	PVVR01011		BUSHING W 151	3,00			--
0018	MFVR01013		PUMP CRANKCASE W 151	1,00			--
0019	PVVR01092		OIL DIPSTICK W 151	1,00			--
0020	GUGO34590		O-RING D. 133.02 X 2.62 NBR 70SH	1,00			--
0021	ALMO15915		SHAFT WS151 A-A	1,00			--
0022	VTAE14016		CIRCLIP D. 12 UNI 7435	6,00			--
0023	VTVR01031		KEY 8X7X25 UNI6604	1,00			--
0024	PVVR01085		GUDGEON D.13X35 W151	3,00			--
0025	PVVR01029		PISTON GUIDE W 151	3,00			--
0026	BLVR01009		CONNECTING ROD W 151	3,00			--
0027	VTVT01116		SCREW TCEI 6X30 UNI5931	5,00			--
0028	MFVR03582		CRANKCASE COVER W 151 POS	1,00			--
0029	PVVR01083		OIL INDICATOR G 3/4 W70-151	1,00			--
0030	RCDS01088		CAP 1/4X 9 M WW90	1,00			--
0031	S GUGO01036		O-RING D. 10.82 X 1.78 NBR 70SH	4,00			--
0032	VTVT01120		SCREW TCEI 8X35 UNI5931	6,00			--
0033	VTRS14242		WASHER D. 8.4X13X0.8 UNI7064 SCH	6,00			--
0034	S VTRS01753		WASHER D.14X28 X0,5	3,00			--
0035	PIVR01066		PISTON D.20X50 W 151	3,00			--
0036	S GUVR00994		ANTI-EXTR.RING W151	3,00			--
0037	S VTRS01076		WASHER D.14X18,5X0,5	3,00			--
0038	S PVVR01107		PISTON BOLT IP W151	3,00			--
0039	MFVR03583		CRANKCASE COVER W151	2,00			--
0040	PVVR01016		THICKNESS 0,1 W 151	2,00			--
0041	S GUGO01003		OIL SEAL 30X 55X 7 NBR70	2,00			--
0042	S GUGO01042		O-RING D. 34.6 X 1.78 NBR 70SH	3,00			--
0043	S PVVR00977		PACKING RETAIN. W151	3,00			--
0044	S GUVR00981		PACKING W151	6,00			--
0045	S PVVR00985		HEAD RING W151	6,00			--
0046	S PVVR34589		INTERMED. RING W 151 D. 20	3,00			--
0047	S GUVR34587		PACKING D. 20 RESTOP	3,00			--
0051	RCDS01091		CAP 1/2X10 M	1,00			--
0052	VTRS01075		WASHER D.21,5X27 ALL	1,00			--
0053	RCDS01090		CAP 3/8X13 M WW90	1,00			--

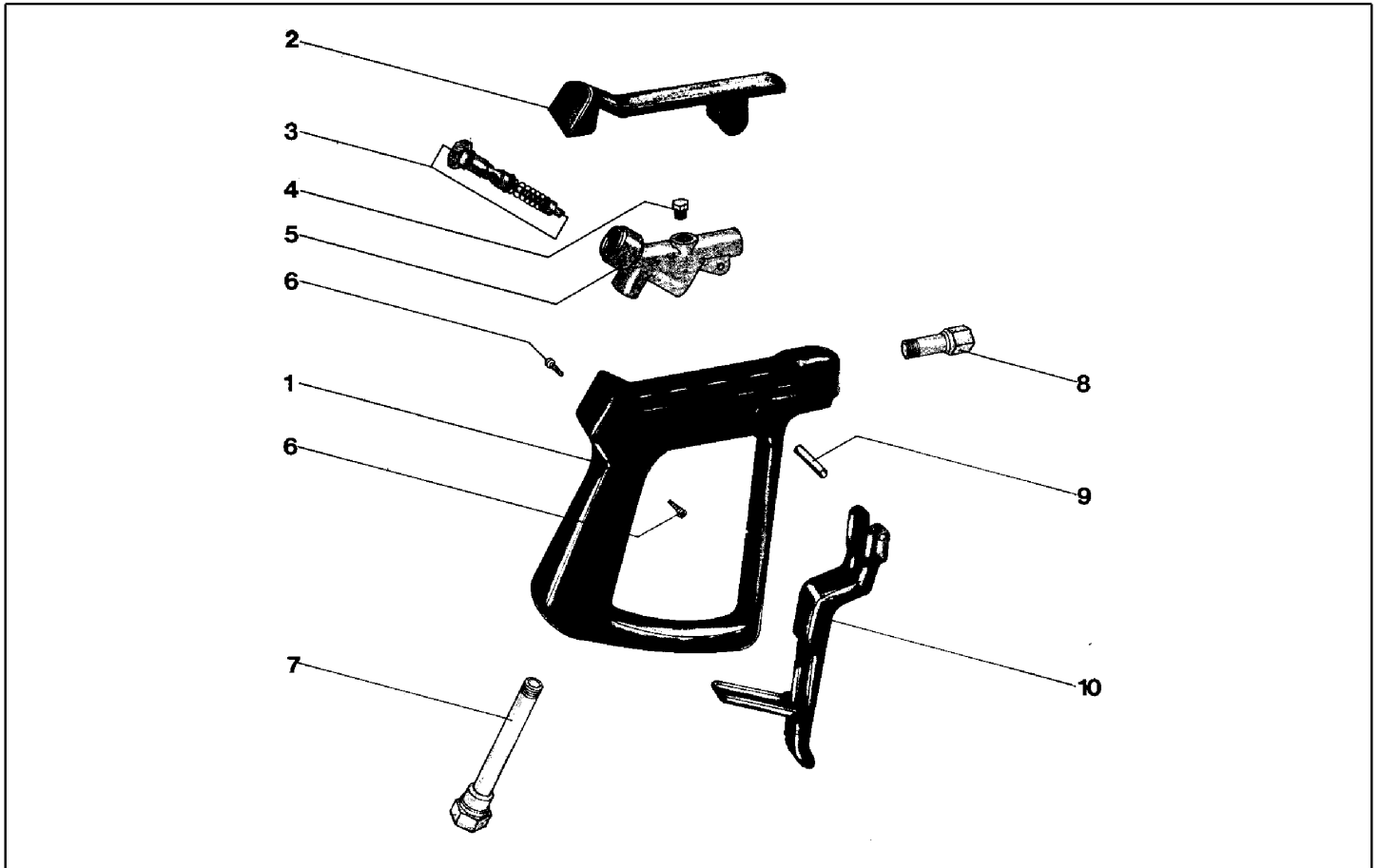


Ref. K	Part n.	Part n. 2	Description	Quantity	Validity		Price
					From	To	
0054	VTRS01074		WASHER D.17,05X22,3 X1,5	1,00			--
0056	S	GUVR34585	PACKING W 151 L.P.	3,00			--

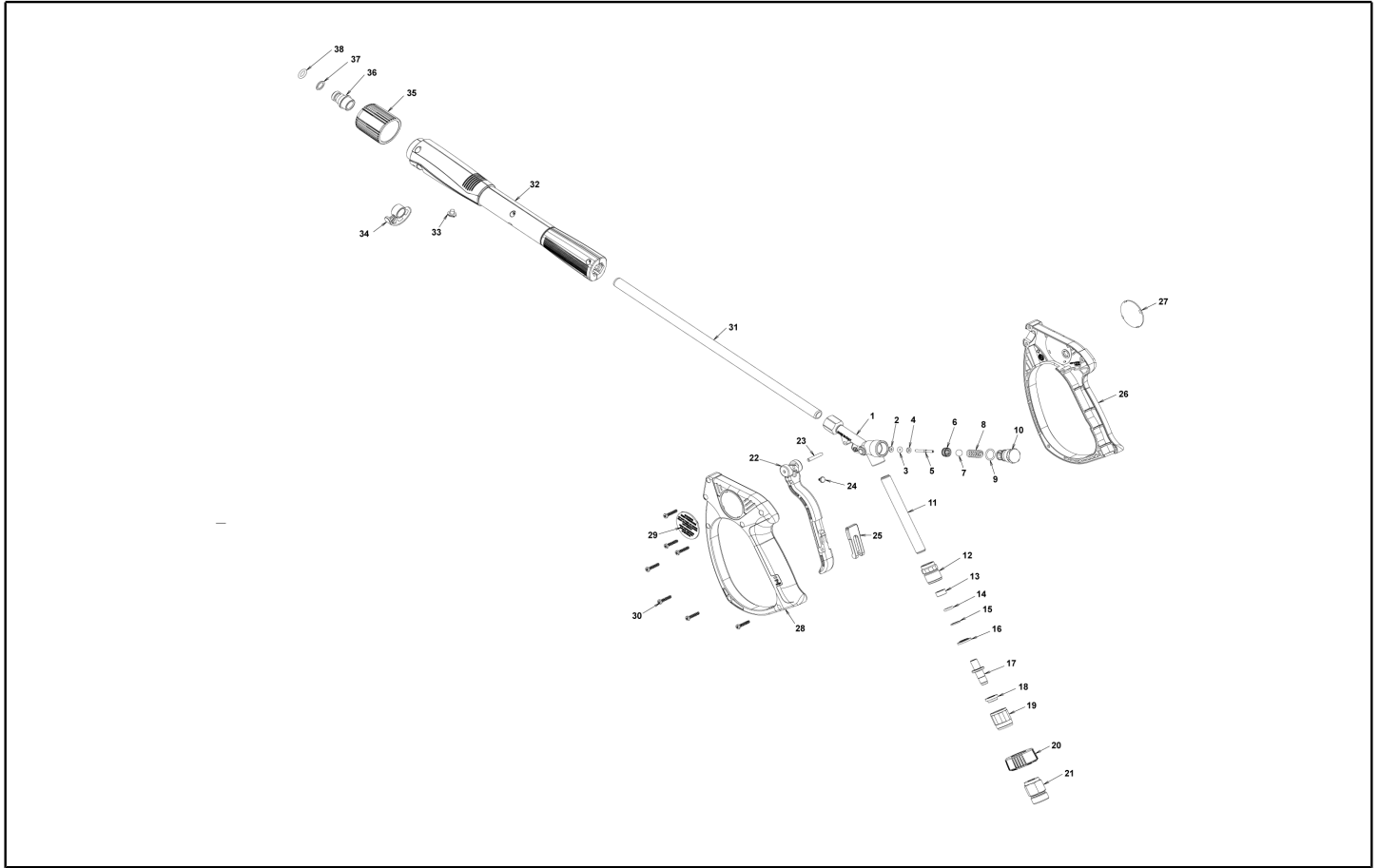




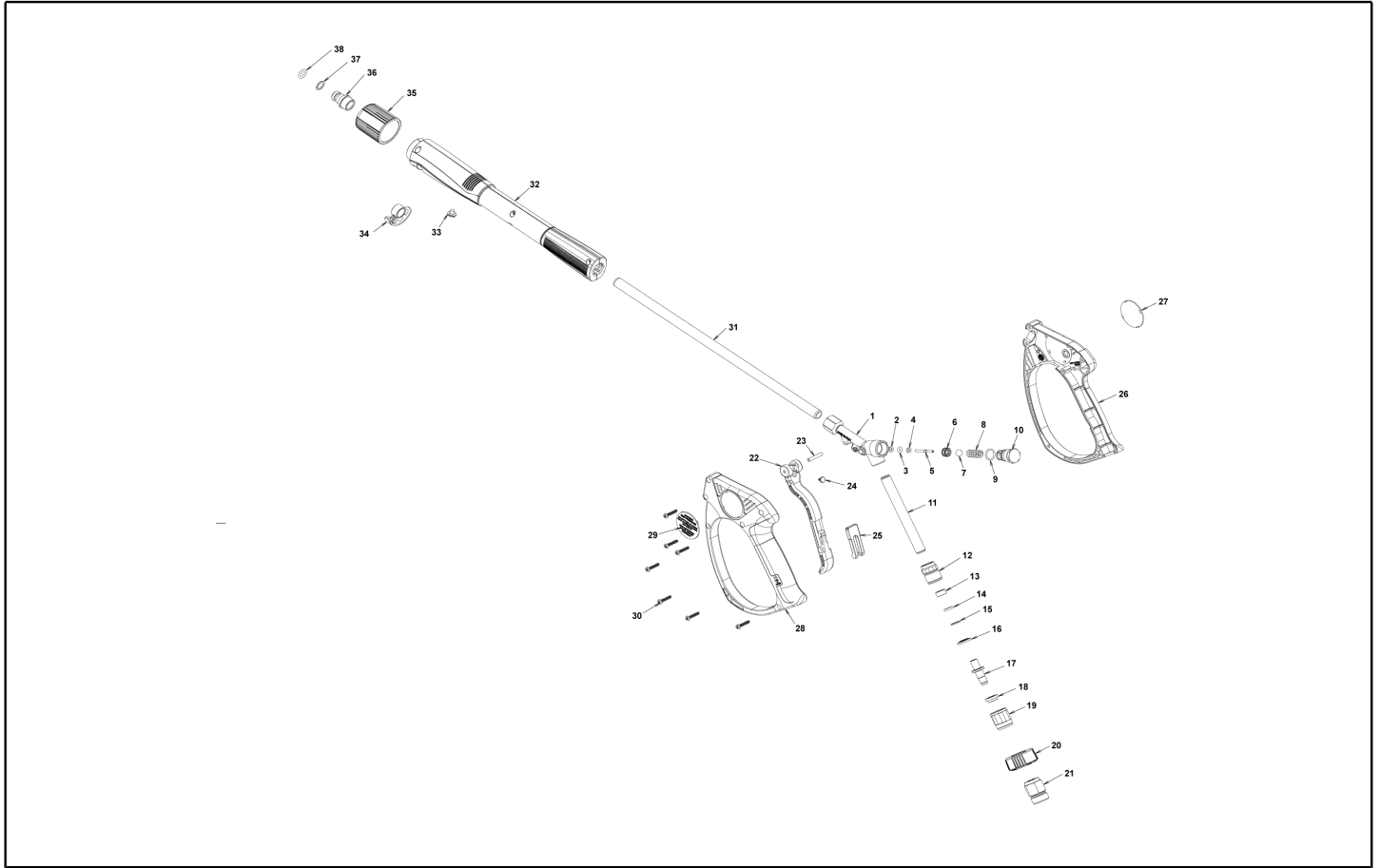
Ref. Part n.	Part n. 2	Description	Reference	Price
KTRI17795		KIT P 4	0009 0010	--
KTRI17859		KIT P 1	0011	--
KTRI17860		KIT P 15- 2	0016	--
KTRI17793		KIT P 6	0031 0034 0036 0037 0038	--
KTRI14900		KIT P 15- 3	0041	--
KTRI14901		KIT P 10	0042 0043	--
KTRI18579		KIT P 28	0042 0043 0044 0045 0046 0047 0056	--
KTRI18574		KIT P 7	0045	--



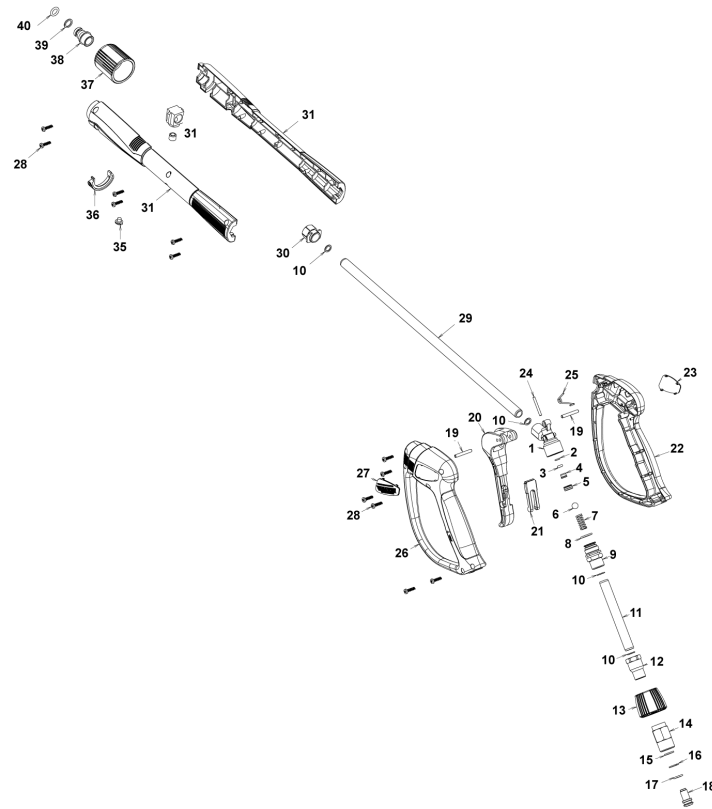
Ref. K	Part n.	Part n. 2	Description	Quantity	Validity		Price
					From	To	
0001	PVVR08141		BODY ST 2000	1,00			--
0002	PVVR08142		COVER ST 2000	1,00			--
0003	KTRI10689		KIT P 26- 1	1,00			--
0004	RCDS08145		CAP G 1/8" OT	1,00			--
0005	PVVR08146		BRASS HOUSING ST 2000	1,00			--
0006	VTVT28553		SCREW TCB-TC 3.5X16	2,00			--
0007	PVVR29763		PIPE G 1/4" +RCC 3/8"	1,00			--
0008	PVVR08147		CONNECTOR 1/4 ST 2000	1,00			--
0009	PVVR08149		PIN ST 2000	1,00			--
0010	PVVR08143		CONTROL LEVER	1,00			--



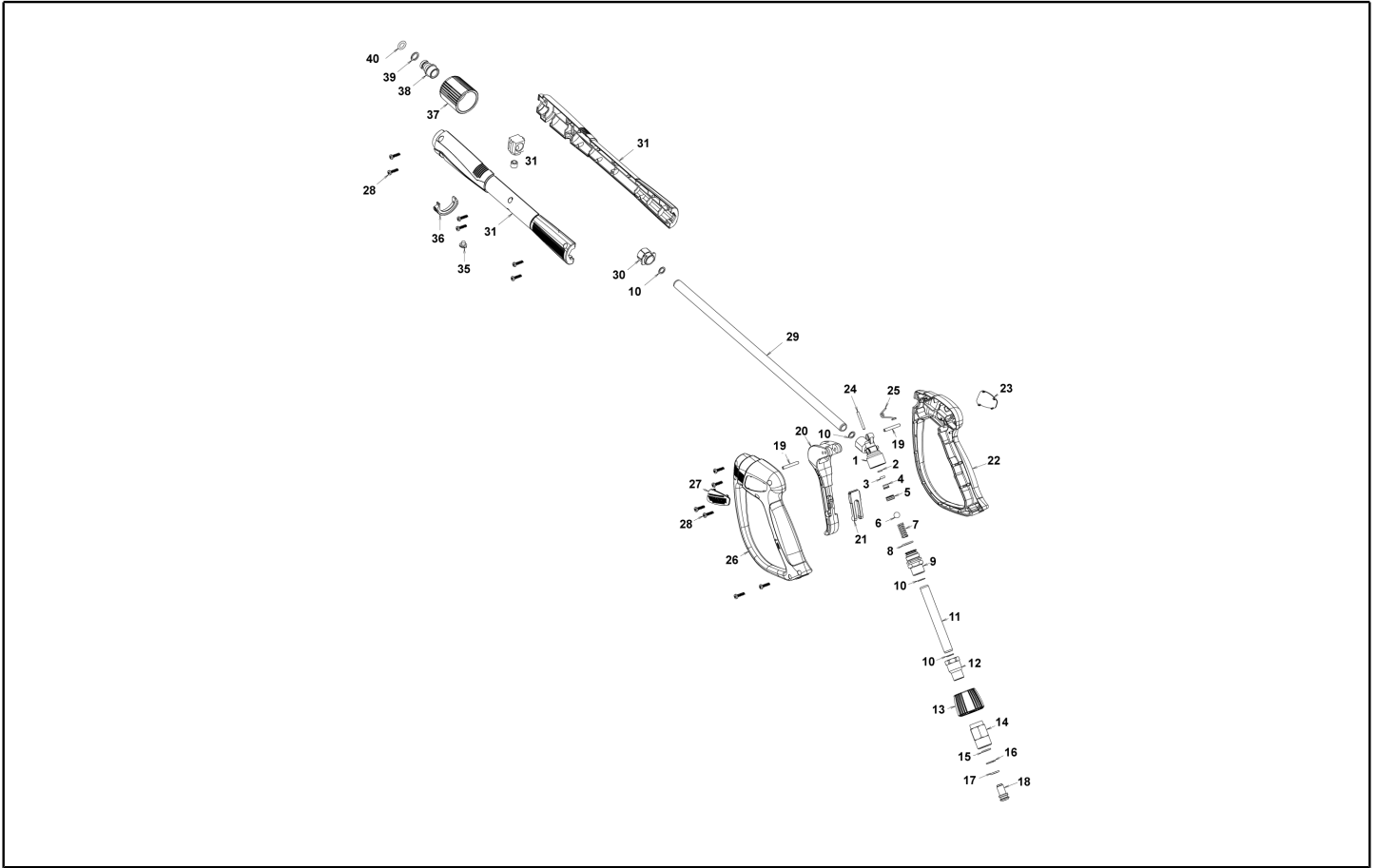
Ref. K	Part n.	Part n. 2	Description	Quantity	Validity		Price
					From	To	
0001	PVVR40402		GUN BODY G5000-V/2 G1/4F	1,00			--
0002	S GUGO17952		O-RING D. 2.84 X 2.62 NBR 70SH	1,00			--
0003	S GUGO21835		O-RING D. 2.84 X 2.62 VIT. 80SH	1,00			--
0004	S VTRS40024		WASHER D. 3 X 7 X1,5 OT	1,00			--
0005	S PVVR40404		SMALL PISTON G5000-V/2	1,00			--
0006	S PVVR40112		BALL SEAT G 5000	1,00			--
0007	S SFVR06779		BALL INOX 11/32	1,00			--
0008	MLML40016		SPRING D. 9.4 x21.5x1.6 G5000	1,00			--
0009	S GUGO21841		O-RING D. 12.42 X 1.78 NBR 90SH	1,00			--
0010	PVVR40113		CAP G 5000	1,00			--
0011	PVVR40405		TUBE G 1/4" L.115	1,00			--
0012	RCIN40024		CONNECTOR SWIV G5000-V/2 1/4F	1,00			--
0013	S PVVR40406		BUSHING G5000-V/2	1,00			--
0014	S PVVR40403		RING SW. G5000-V/2	1,00			--
0015	S GUVR40081		ANTI-EXTR.RING D.9 X13.2X1.2	1,00			--
0016	S PVVR40407		SPACER G5000-V/2	1,00			--
0017	S PVVR40408		PIN G5000-V/2	1,00			--
0018	S PVVR40409		BUSHING C/GRAD. G5000-V/2	1,00			--
0019	PVVR40410		NIPPLE G5000-V/2	1,00			--
0020	PVVR40411		KNOB SWIVEL G5000-V/2	1,00			--
0021	RCIN40025		CONNECTOR SWIV G5000-V/2 M22	1,00			--
0022	S MPVR40628		TRIGGER G5000-V/2	1,00			--
0023	S VTVR40008		PLUG D. 3 G5000	1,00			--
0024	S PVVR45053		PAWL G 2100 INX	1,00			--
0025	S MPVR40629		SAFETY-DEVICE G 5000-SW	1,00			--
0026	MPVR40630		SHELL G5000-V/2 DX	1,00			--
0027	MPVR40631		PLATE G5000-V/2	1,00			--
0028	MPVR40632		SHELL G5000-V/2 SX	1,00			--
0029	MPVR40633		PLATE G5000-V/2 SX	1,00			--
0030	VTVT62984		SCREW TC-CR M 4.2 X19 ZN	7,00			--
0031	LCPR40015		TUBE 1/4 L=370 ZC. 0°	1,00			--
0032	MPVR40195		PROTECTION P 370 MV	1,00			--
0033	MPVR40198		CAP G 5000	1,00			--
0034	MPVR40197		CAP G 5000 FIX.	1,00			--
0035	PVVR40119		CONNECTION M22X1,5 IRV G5000	1,00			--
0036	RCIN40009		GUIDGEON G 1/4 F IRV G5000	1,00			--
0037	GUVR40034		ANTI-EXTR.RING D. 10 X14	1,00			--
0038	GUGO40055		O-RING D. 9.19 X 2.62 - VIT.75	1,00			--



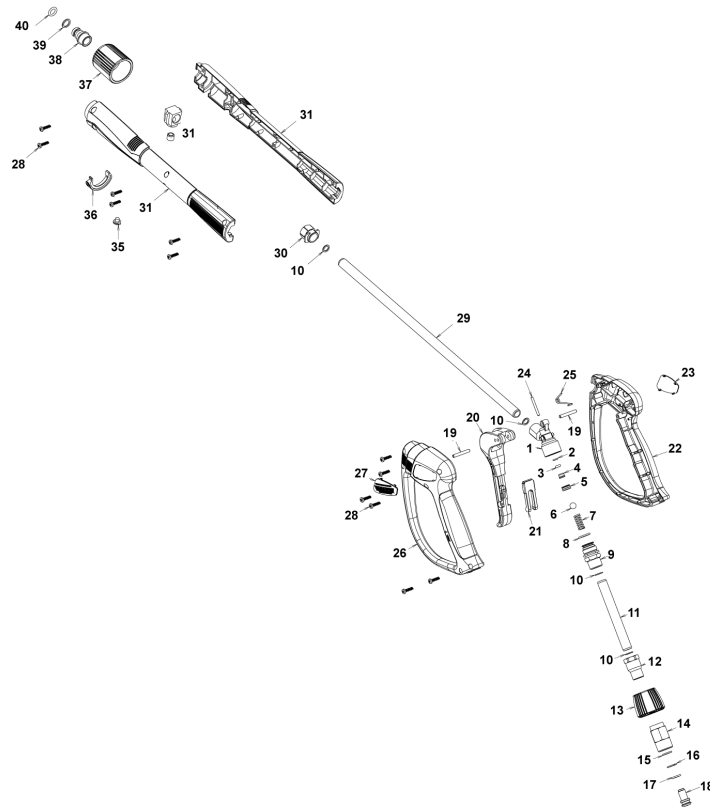
Ref. Part n.	Part n. 2	Description	Reference	Price
KTRI40287		KIT P 26- 29 OR SEDE G5000-V/2	0002 0003 0004 0005 0006 0007 0009	--
KTRI40285		KIT P 26- 27 SWIVEL G5000-V/2	0013 0014 0015 0016 0017 0018	--
KTRI40286		KIT P 26- 28 LEVA G5000-V/2	0022 0023 0024 0025	--



Ref. K	Part n.	Part n. 2	Description	Quantity	Validity		Price
					From	To	
0001	PVVR40381		GUN BODY G 5100 G1/4F	1,00			--
0002	S	GUVR40074	ANTI-EXTR.RING D. 3 X 7.4X1.3	1,00			--
0003	S	GUGO21835	O-RING D. 2.84 X 2.62 VIT. 80SH	1,00			--
0004		PVVR40382	PISTON GUIDE G 5100	1,00			--
0005	S	PVVR40112	BALL SEAT G 5000	1,00			--
0006	S	SFVR40002	BALL D.11/32" ALL GR16	1,00			--
0007		MLML40016	SPRING D. 9.4 x21.5x1.6 G5000	1,00			--
0008		GUGO12322	O-RING D. 14 X 1.78 NBR 90SH	1,00			--
0009		PVVR40383	CONNECTOR COLL.G5100 1/4F	1,00			--
0010		VTRS40017	WASHER D. 8.2X11,4X1.00	4,00			--
0011		PVVR40384	TUBE G 1/4" L.105	1,00			--
0012		RCIN40022	CONNECTOR SWIV G5100 1/4F	1,00			--
0013		MPVR40819	RING NUT G 5100 SW. BK.	1,00			--
0014		RCIN40021	JOINT SWIV 5100 M22	1,00			--
0015	S	GUVR40075	ANTI-EXTR.RING D. 10 X14X1.5	1,00			--
0016	S	GUVR40076	ANTI-EXTR.RING D. 11.2X14X1.2	1,00			--
0017	S	GUGO15295	O-RING D. 10.82 X 1.78 VIT 75SH	1,00			--
0018		PVVR40386	SCREW SW. G 5100	1,00			--
0019		VTVR40047	PLUG D. 4X29	2,00			--
0020		MPVR40820	TRIGGER G 6000-SW	1,00			--
0021		MPVR40821	SAFETY-DEVICE G 6000-SW	1,00			--
0022		MPVR40822	SHELL G 6000-SW DX	1,00			--
0023		MPVR40823	PLATE G 6000 GR.DX	1,00			--
0024		PVVR40387	SMALL PISTON G 5100	1,00			--
0025		MLML40029	SPRING G 5100	1,00			--
0026		MPVR40824	SHELL G 6000-SW SX	1,00			--
0027		MPVR40825	PLATE G 6000 GR.SX	1,00			--
0028		VTVT40043	SCREW AF 4X 14 HILO ZN.N	12,00			--
0029		LCPR40086	TUBE 1/4 L=420 ZC. 0°	1,00			--
0030		MPVR40493	CONNECTOR G 5100-SW	1,00			--
0031		MPVR40494	PROTECTION P 420 C/AN.	1,00			--
0035		MPVR40198	CAP G 5000	1,00			--
0036		MPVR40495	CAP G 5100 REM.	1,00			--
0037		PVVR40119	CONNECTION M22X1,5 IRV G5000	1,00			--
0038		RCIN40009	GUDGEON G 1/4 F IRV G5000	1,00			--
0039		GUVR40034	ANTI-EXTR.RING D. 10 X14	1,00			--
0040		GUGO01946	O-RING D. 9.13 X 2.62 VIT 70SH	1,00			--

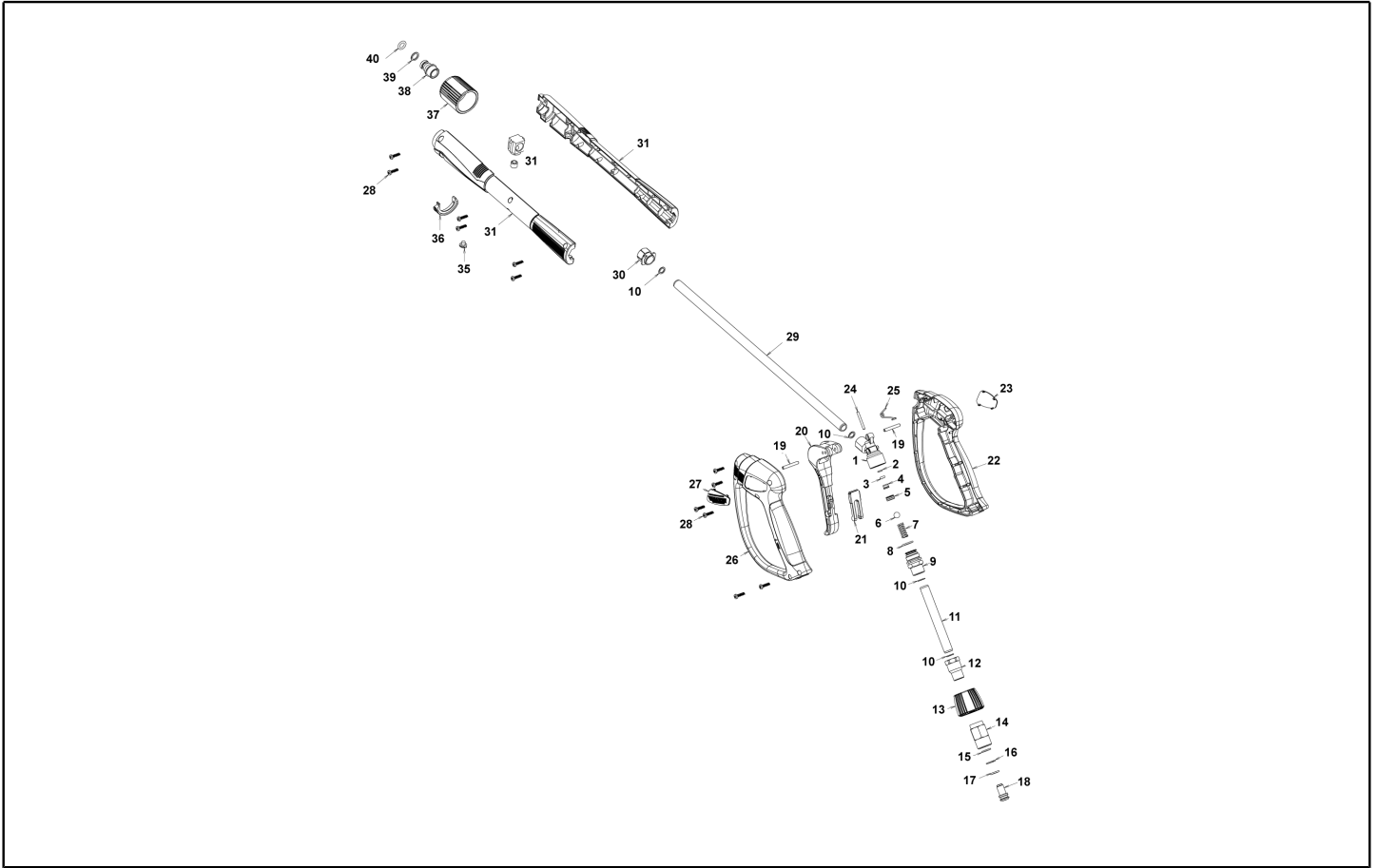


Ref. Part n.	Part n. 2	Description	Reference	Price
KTRI40243		KIT P 26- 26 SWIVEL G 5100	0015 0016 0017	--
KTRI40414		KIT P 26- 34 G 6000	0002 0003 0005 0006	--

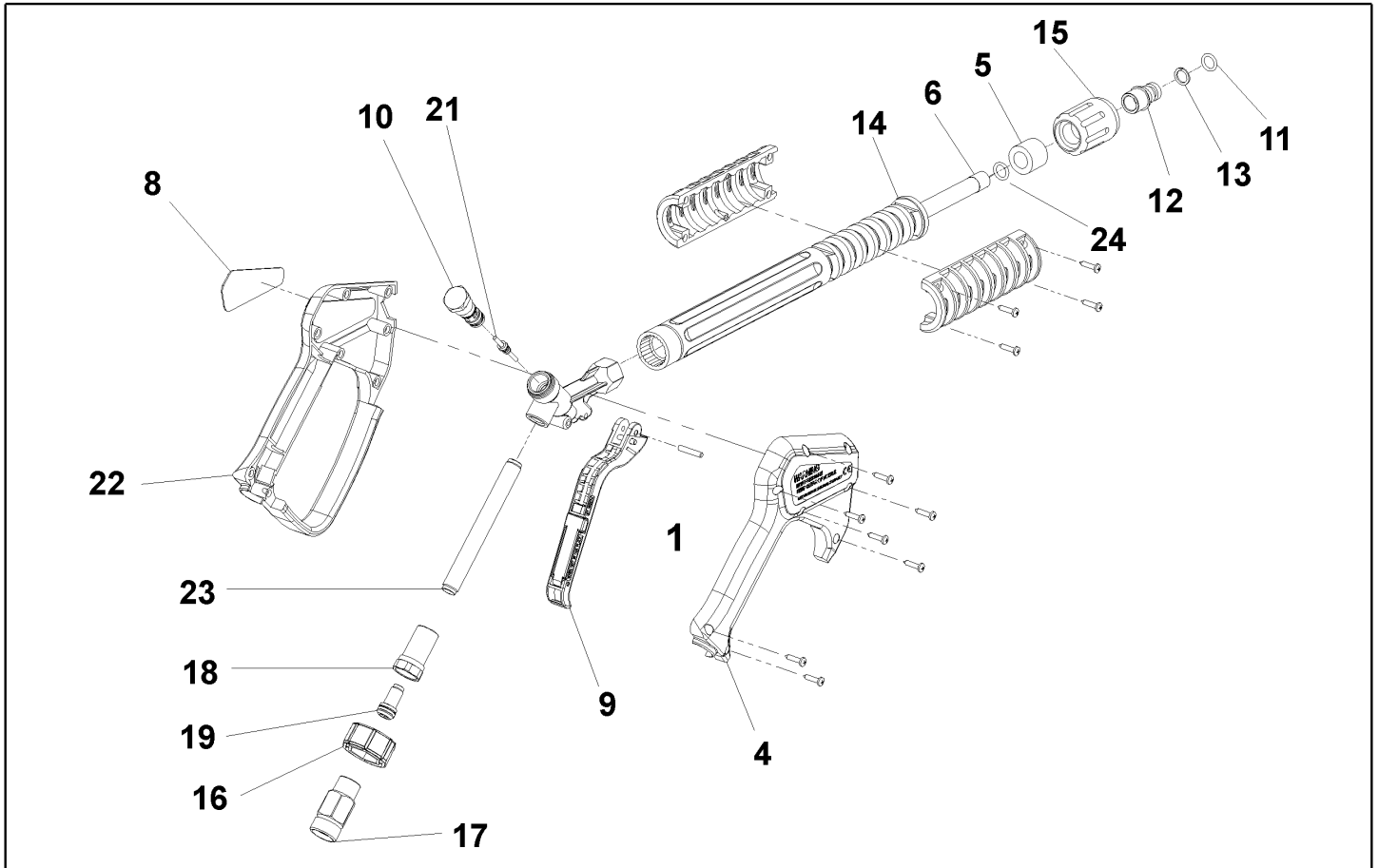


Ref. K	Part n.	Part n. 2	Description	Quantity	Validity		Price
					From	To	
0001	PVVR40381		GUN BODY G 5100 G1/4F	1,00			--
0002	S	GUVR40074	ANTI-EXTR.RING D. 3 X 7.4X1.3	1,00			--
0003	S	GUGO21835	O-RING D. 2.84 X 2.62 VIT. 80SH	1,00			--
0004		PVVR40382	PISTON GUIDE G 5100	1,00			--
0005	S	PVVR40563	BALL SEAT AL36 G6000 + OR	1,00			--
0006	S	SFVR40004	BALL D. 5/16" ALL.GR16	1,00			--
0007	S	MLML40047	SPRING D. 9.4 x23.5x1.6 G6000	1,00			--
0008		GUGO12322	O-RING D. 14 X 1.78 NBR 90SH	1,00			--
0009		PVVR40383	CONNECTOR COLL.G5100 1/4F	1,00			--
0010		VTRS40017	WASHER D. 8.2X11,4X1.00	4,00			--
0011		PVVR40384	TUBE G 1/4" L.105	1,00			--
0012		RCIN40022	CONNECTOR SWIV G5100 1/4F	1,00			--
0013		MPVR40967	RING NUT G 6000 SW. GR.	1,00			--
0014		RCIN40021	JOINT SWIV 5100 M22	1,00			--
0015	S	GUVR40075	ANTI-EXTR.RING D. 10 X14X1.5	1,00			--
0016	S	GUVR40076	ANTI-EXTR.RING D. 11.2X14X1.2	1,00			--
0017	S	GUGO15295	O-RING D. 10.82 X 1.78 VIT 75SH	1,00			--
0018		PVVR40386	SCREW SW. G 5100	1,00			--
0019		VTVR40047	PLUG D. 4X29	2,00			--
0020		MPVR40820	TRIGGER G 6000-SW	1,00			--
0021		MPVR40821	SAFETY-DEVICE G 6000-SW	1,00			--
0022		MPVR40822	SHELL G 6000-SW DX	1,00			--
0023		MPVR40968	PLATE G 6000/2 GR.DX	1,00			--
0024	S	PVVR40564	SMALL PISTON G 6000 AL36 SP.	1,00			--
0025		MLML40029	SPRING G 5100	1,00			--
0026		MPVR40824	SHELL G 6000-SW SX	1,00			--
0027		MPVR40825	PLATE G 6000 GR.SX	1,00			--
0028		VTVT40043	SCREW AF 4X 14 HILO ZN.N	12,00			--
0029		LCPR40181	TUBE 1/4 L=416 ZC. 0°	1,00			--
0030		MPVR40493	CONNECTOR G 5100-SW	1,00			--
0031		MPVR40494	PROTECTION P 420 C/AN.	1,00			--
0035		MPVR40198	CAP G 5000	1,00			--
0036		MPVR40495	CAP G 5100 REM.	1,00			--
0037		PVVR40119	CONNECTION M22X1,5 IRV G5000	1,00			--
0038		RCIN40048	GUDGEON G 1/4 F IRV G6000/2	1,00			--
0039		GUVR40034	ANTI-EXTR.RING D. 10 X14	1,00			--
0040		GUGO63555	O-RING D. 9.3 X 2,4 VIT 75SH	1,00			--





Ref. Part n.	Part n. 2	Description	Reference	Price
KTRI40243		KIT P 26- 26 SWIVEL G 5100	0015 0016 0017	--
KTRI40513		KIT P 26- 36 G 6000/II	0002 0003 0005 0006 0007 0024	--



Ref. K	Part n.	Part n. 2	Description	Quantity	Validity		Price
					From	To	
0001	VTVR46568		PLUG G 4500	1,00			--
0004	MPVR46563		COVER G 4500	1,00		30/04/2008	--
0004	MPVR40157		COVER G 4500 2V.	1,00	01/05/2008		--
0005	MPVR46572		SPACER P 330 ST	1,00			--
0006	LCPR46571		TUBE 1/4 L=352 ZC.	1,00		30/04/2008	--
0006	LCPR40007		TUBE 1/4 L=352 ZC. 2V.	1,00	01/05/2008		--
0008	MPVR46569		PLATE G 4500 RD.	1,00			--
0009	MPVR40057		TRIGGER G 4500 -SW	1,00			--
0010	PVVR40030		SMALL PISTON TM ST-2300	1,00			--
0011	GUGO10384		O-RING D. 10 X 2.2 VIT 80SH	1,00			--
0012	RCVR13030		GUDGEON G 1/4 F L=31.5	1,00			--
0013	GUVR10526		ANTI-EXTR.RING D.13.9X10.2 C.BZ	1,00			--
0014	MPVR46570		PROTECTION P 330 ST	1,00			--
0015	PVVR13445		CONNECTION M 22X1,5 L=45	1,00			--
0016	MPVR40058		RING NUT G4500 SW.	1,00			--
0017	RCIN40001		JOINT SWIV 4500 3/8" F	1,00		30/04/2008	--
0017	RCIN40005		JOINT SWIV 4500 3/8" F 2V.	1,00	01/05/2008		--
0018	RCIN31641		CONNECTOR SWIV 1500 F	1,00			--
0019	KTRI31645		KIT P 26- 14	1,00			--
0021	PVVR40031		ROD ST-2300	1,00			--
0022	MPVR46562		SHELL G 4500	1,00		30/04/2008	--
0022	MPVR40156		SHELL G 4500 2V.	1,00	01/05/2008		--
0023	PVVR40023		TUBE G 1/4" M/M P/SW.	1,00			--
0024	GUGO27021		O-RING D. 11 X 2.5 EPD 70SH	1,00	01/05/2008		--