



**IPC**

**Spare parts list**

Ref: ASDO09721

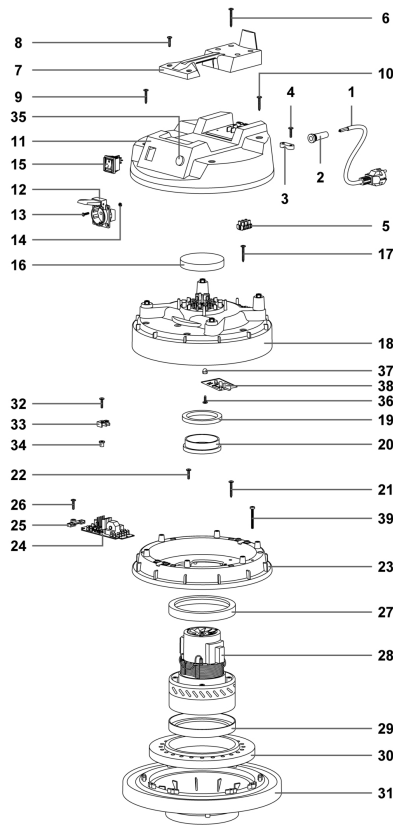
Model: PANDA 515 ELPN W/FLEX HOSE WURTH



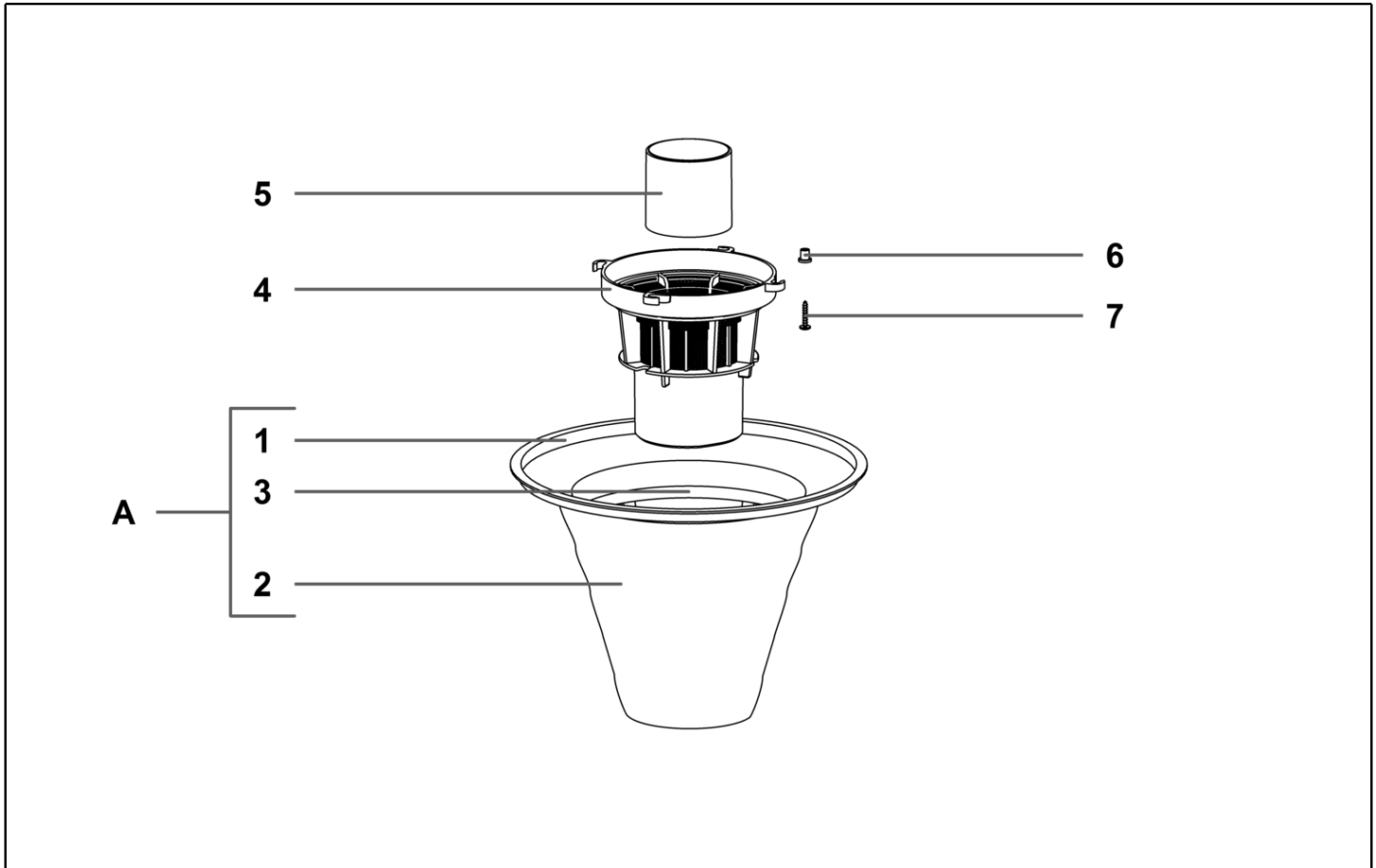
IPC Integrated Professional Cleaning

**IPC Soteco**

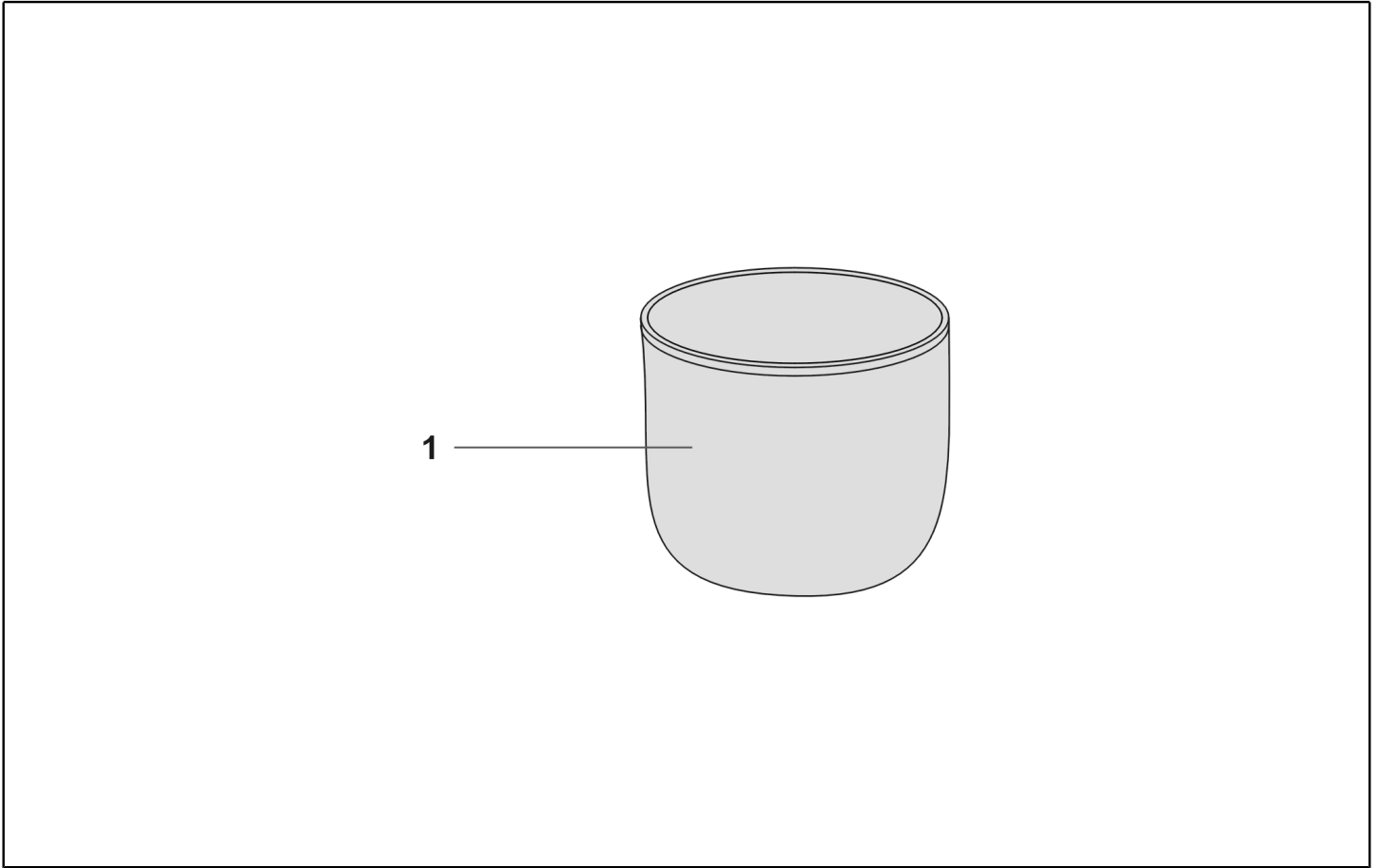
Ref. K	Part n.	Part n. 2	Description	Quantity	Validity		Price
					From	To	
0001	PMTA03032		PANDA HEAD 515 ELPN WARN.LIGHT W/PL	1,00			--
0002	KTRI04088		FILTERING KIT 500 CONICAL	1,00			--
0003	FTDP00222		PRE-FILTER PCB TANK 300-500 H=430	1,00			--
0004	PMFU01126		PANDA TANK 500 AISI 430 COM. WURTH	1,00			--
0005	TBFX00778		FLEX HOSE D.29 RED W/COUPL 5MT WRT	1,00			--
0006	KTRI02511			1,00			--



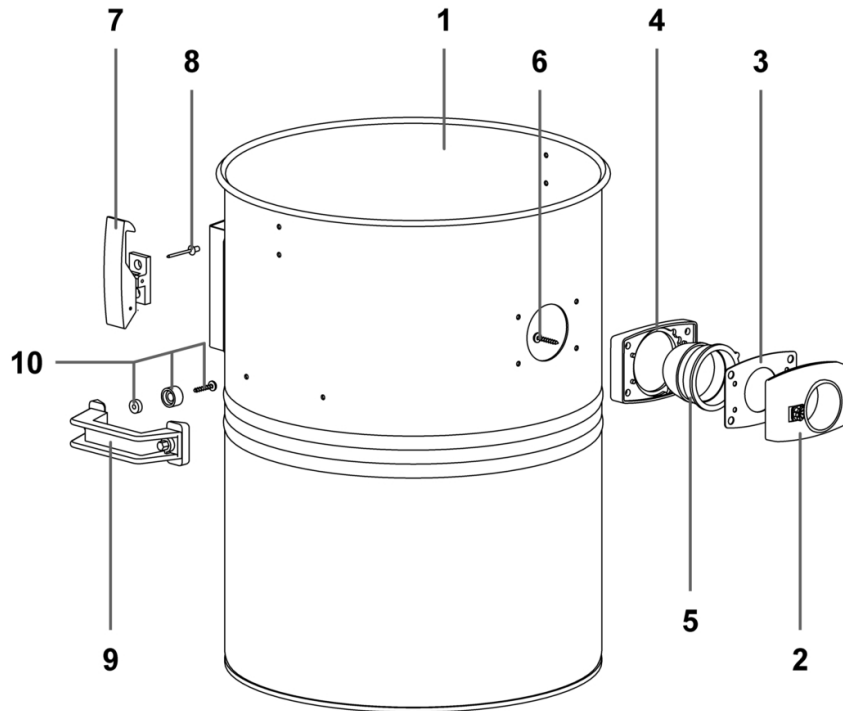
Ref. K	Part n.	Part n. 2	Description	Quantity	Validity		Price
					From	To	
*	MEVR02232		CONTROL GROUP PN 500 WURTH	1,00			--
*	MECB01675		CONN.WIRE M.400-G/V-FF-SP9-S1,5	2,00			--
*	MECB01671		CONN.WIRE M.200-G/V-FF-5,2-S1,5	1,00			--
*	FSVR00127		CLAMP	3,00			--
*	MECB01828		WIRING 40CM MOTOR POKE-IN-TP	1,00			--
0001	MECB28740		ELECTRIC CORD 3X1,5 MT 8,5	1,00			--
0002	MEVR28673		FAIRLEAD	1,00			--
0003	MPVR28690		CABLE CLAMP	1,00			--
0004	VTVT71961		SCREW PFU TMT PHL 5X20 ZN NERA	2,00			--
0005	MECB01772		TERMINAL BOARD 300-500 3P 4/C RAD	1,00			--
0006	VTVT72106		SCREW PAT TMT PHL 5X40 BLACK	4,00			--
0007	MPVR09701		RED HANDLE PANDA	1,00			--
0008	VTVT71961		SCREW PFU TMT PHL 5X20 ZN NERA	2,00			--
0009	VTVT71966		SCREW PAT TMT PHL 5X30 BLACK	2,00			--
0010	VTVT71966		SCREW PAT TMT PHL 5X30 BLACK	2,00			--
0011	PMVR03955		PANDA COVER FOR SCHUKO-WARN.LIGHT	1,00			--
0012	MEVR38061		SCHUKO ADD.SOCKET W/PROTECTION	1,00			--
0013	VTVT01192		SCREW TSP CROSS M 4X12 UNI 7688	4,00			--
0014	VTDD00242		NUT 4 M NYLON	2,00	15/12/2020		--
0015	MECI38052		COMMUTATOR ANTISPLASH	1,00			--
0016	FTDP38064		FILTER MTP/65 H=15 D.95	1,00			--
0017	VTVT71971		SCREW PAT TMT PHL 5X35 BLACK	6,00			--
0018	PMVR05188			1,00	15/12/2020		--
0019	MPVR38371		WASHER H8 D85X65	1,00			--
0020	MPVR86282		RING MOTORE H=7 (15) PLAST.	1,00			--
0021	VTVT71971		SCREW PAT TMT PHL 5X35 BLACK	6,00			--
0022	VTVT71961		SCREW PFU TMT PHL 5X20 ZN NERA	4,00			--
0023	PMVR03378		MOTOR FASTENER 99 FOR WARN.LIGHT BLACK	1,00			--
0024	MECE00799		PCB TELECONTROL 2015 LEG	1,00	23/07/2018		--
0025	LAFN87310		CARD BLOCK BRACKET	2,00			--
0026	VTVT71961		SCREW PFU TMT PHL 5X20 ZN NERA	2,00			--
0027	GUGO28683		"L" GASKET W/O HOLES H=5,5	1,00			--
0028	MOMO28716		MOT.BD302 1000W 220-240V 50-60HZ	1,00			--
0029	GUGO28683		"L" GASKET W/O HOLES H=5,5	1,00			--
0030	FTDP38067		WASHER MTP 65MM 18D 230X145	1,00			--
0031	PMBA00487		BLACK BASE 500 X SL W/G PLA	1,00			--
0032	VTVT72055		SCREW PFU TMT PHL 5X25 ZN BLACK	1,00			--
0033	MEVR02242		CLAMP W/FASTON	1,00			--
0034	MPVR35796		BUSHING PLASTIC SLEEVE D.8	1,00			--
0035	MELF00070		WARN.LIGHT GR. GI FIL/SPORCO DYNA	1,00			--
0036	VTVT01192		SCREW TSP CROSS M 4X12 UNI 7688	2,00			--
0037	VTDD00242		NUT 4 M NYLON	2,00			--
0038	MECE00676		PCB ANTIDISTURBO TLC 2015	1,00			--
0039	VTVT01272		SCREW TC CROSS M 5X45 UNI 7687	1,00			--



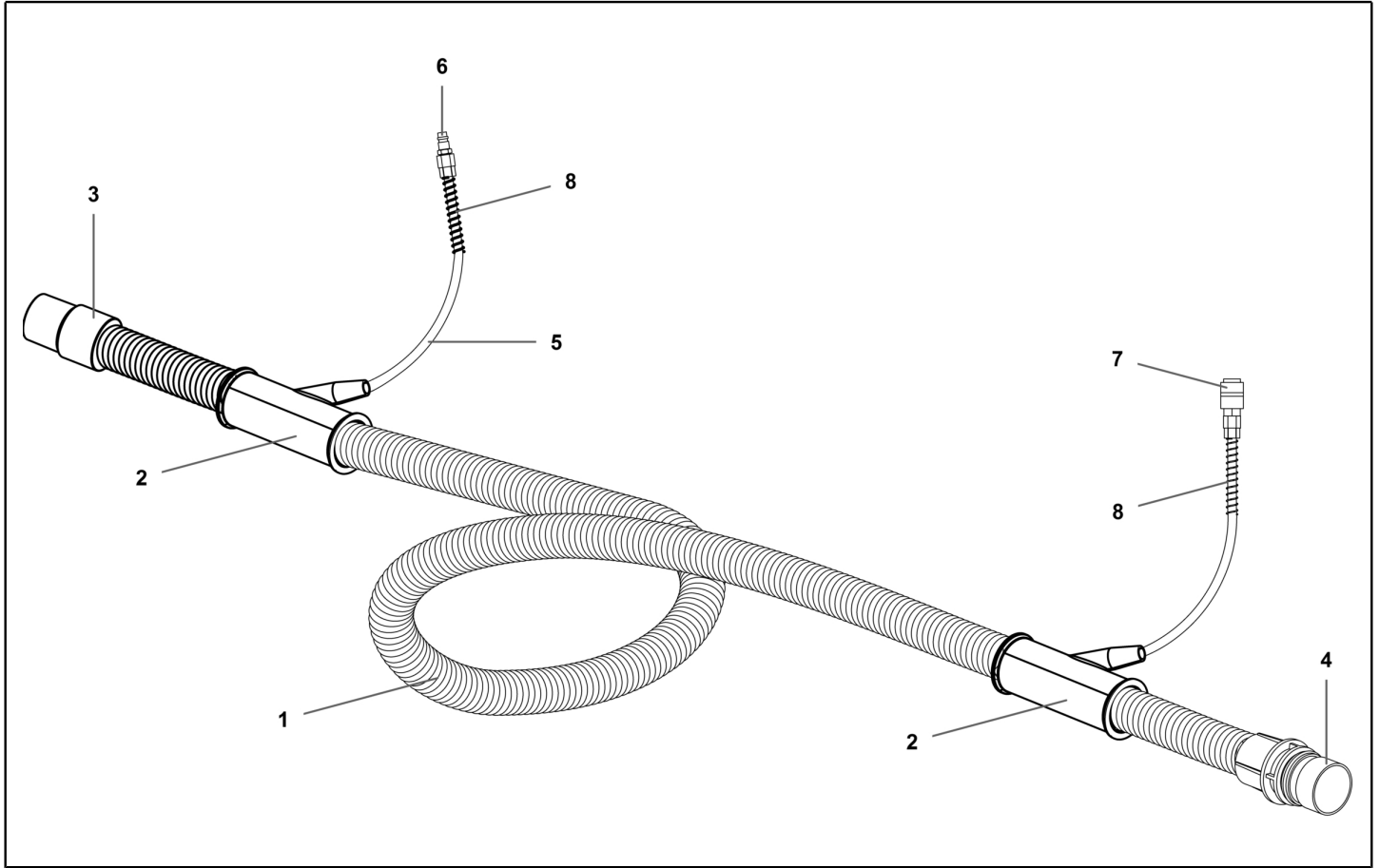
Ref. K	Part n.	Part n. 2	Description	Quantity	Validity		Price
					From	To	
A	KTRI02943		KIT RING+FILT+BASK. 500 C	1,00			--
0001	MPVR36522		FILTER RING 500	1,00			--
0002	FTDP00534		FILTER POLY AN3-500 CON REG H230	1,00			--
0003	MPVR37038		CONICAL BASKET 300	1,00			--
0004	MPVR40521		NET ANTIFOAM BODY HIGH	1,00			--
0005	RCGR40008		HIGH FLOAT 99 W/GASKET 37 SHA	1,00			--
0006	MPVR35796		BUSHING PLASTIC SLEEVE D.8	4,00			--
0007	VTVT36751		SCREW SCREW PAT TMT PHL 5X25	4,00			--



Ref. K	Part n.	Part n. 2	Description	Quantity	Validity		Price
					From	To	
0001	FTDP00222		PRE-FILTER PCB TANK 300-500 H=430	1,00			--
0001	FTDP00222		PRE-FILTER PCB TANK 300-500 H=430	1,00			--



Ref. K	Part n.	Part n. 2	Description	Quantity	Validity		Price
					From	To	
0001	LAFN09930		MEC TANK 500 A.430 W/CLAMP WURTH	1,00			--
0002	MPVR72109		INLET R 155 BLACK	1,00			--
0003	GUGO28701		GASKET D.38	1,00			--
0004	GUGO28736		GASKET R 205 BLACK	1,00			--
0005	MPVR28696		DEFLECTOR 99	1,00			--
0006	VTVT71966		SCREW PAT TMT PHL 5X30 BLACK	4,00			--
0007	CHVR28735		COMPLETE PLASTIC HOOK BLACK	2,00			--
0008	VTVR71991		RIVET 5X11	4,00			--
0009	MPVR28737		BLACK HANDLE	2,00			--
0010	RIGE00015		COMPLETE SEAL W/SCREW L=25	4,00			--

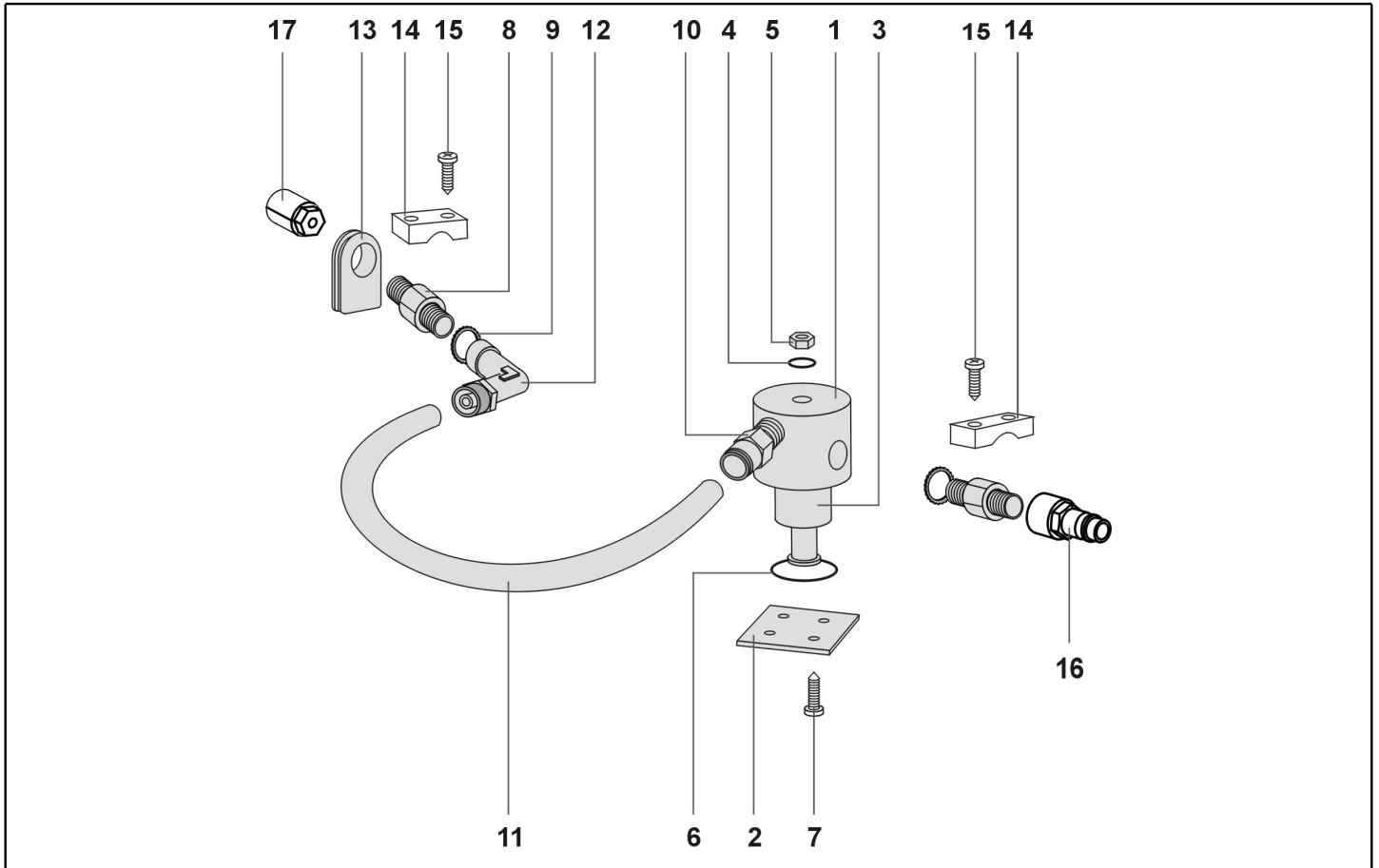


Ref. K	Part n.	Part n. 2	Description	Quantity	Validity		Price
					From	To	
0001	TBFX00964		FLEXHOSE 29 NORMAL RED-4,4 METERS	1,00			--
0002	MPVR06982		RUBBER JOIN CUFF D.29	1,00			--
0003	MPVR06981		SOFT CUFF F/FLEXHOSE D.29	1,00			--
0004	MPVR06983		CUFF D.38/29 FLEX HOSE D.29	1,00			--
0005	TBBP00555			5,20			--
0006	RCVR01044			1,00			--
0007	RCIN00058			1,00			--
0008	RCVR00913			2,00			--

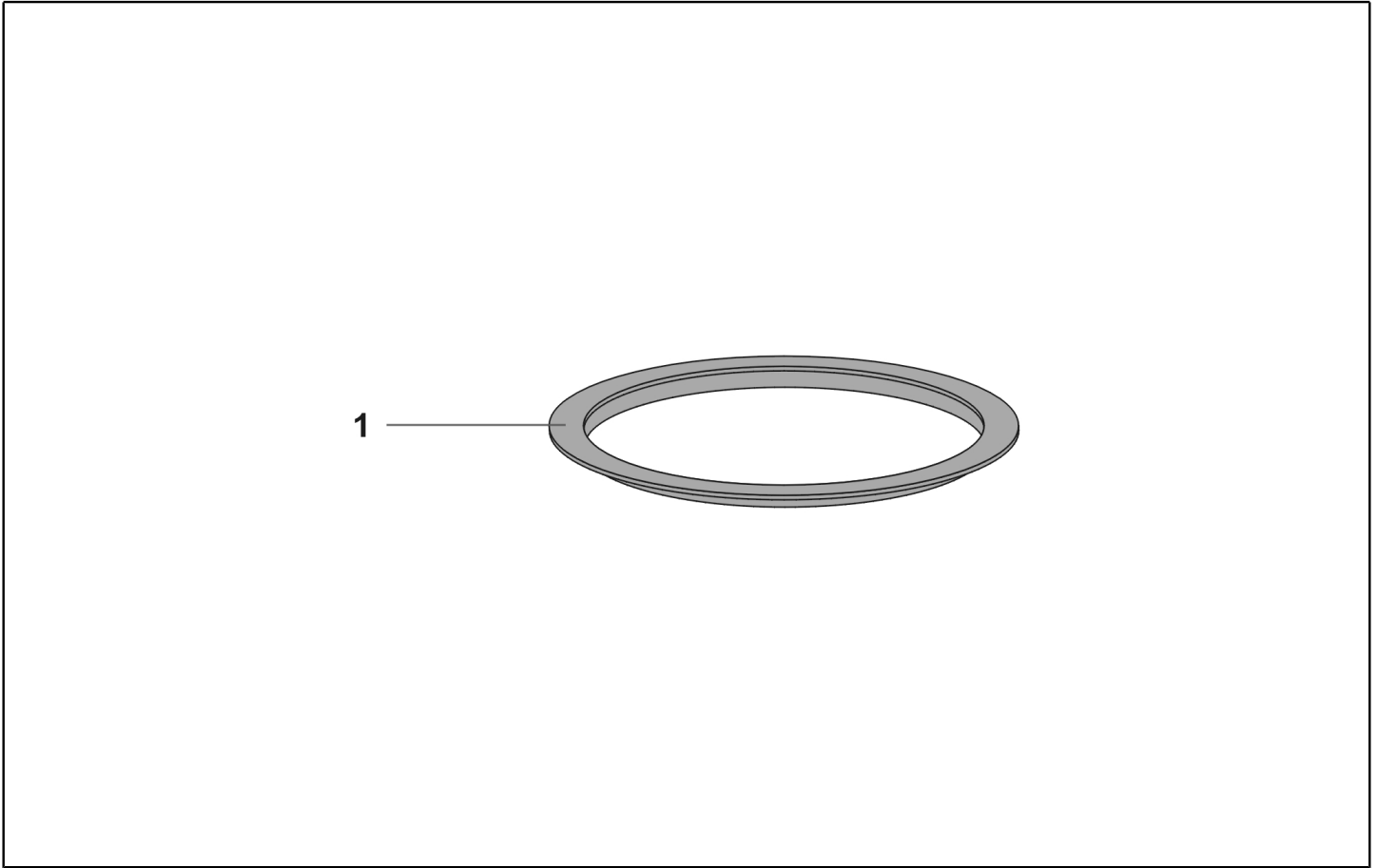


Ref. K	Part n.	Part n. 2	Description	Quantity	Validity		Price
					From	To	
0001	KTRI02511			1,00			--
0001	KTRI02511			1,00			--

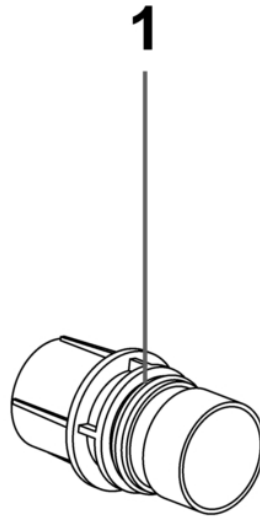




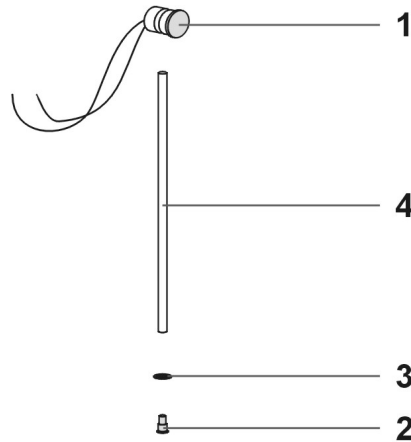
Ref. K	Part n.	Part n. 2	Description	Quantity	Validity		Price
					From	To	
0001	MFVR00199		BODY SENSOR PNEUMATIC 1/4"	1,00			--
0002	LAFN08269		PLATE PNEUMATIC SENSOR	1,00			--
0003	MERL00019		ADJUSTER COMPLETE LEVEL	1,00			--
0004	GUGO00486		O-RING 2031 NBR 7,66 X 1,78	1,00	15/02/2016		--
0005	VTDD00271		NUT NYLON NERO M8X1,25	1,00	15/02/2016		--
0006	GUGO00337		O-RING 2112	1,00			--
0007	VTVT71965		SCREW M 4X10 "TS"	4,00			--
0008	RCVR00855		BRASS NIPPLE 1/4" CH14 L=64	2,00			--
0009	VTRS00409		TOOTHED WASHER M12 UNI 8842	2,00			--
0010	RCVR00857		CONNECTOR 1/4" MALE 10/8	1,00			--
0011	TBBP00540		TUBE RILSAN 10/8 PER MT.NEUTR.	0,25			--
0012	RCVR00860		CONNECTOR 1/4" F. 90° 10/8	1,00			--
0013	MEVR86518		GUIDING SLIT LAVA	2,00			--
0014	MPVR28794		FIXING BOLT CONN.	2,00			--
0015	VTVT72055		SCREW PFU TMT PHL 5X25 ZN BLACK	2,00			--
0015	VTVT72055		SCREW PFU TMT PHL 5X25 ZN BLACK	2,00			--
0016	RCVR01043			1,00			--
0017	RCIN00057			1,00			--



Ref. K	Part n.	Part n. 2	Description	Quantity	Validity		Price
					From	To	
0001	MPVR36522		FILTER RING 500	1,00			--
0001	MPVR36522		FILTER RING 500	1,00			--



Ref. K	Part n.	Part n. 2	Description	Quantity	Validity		Price
					From	To	
0001	MPVR06983		CUFF D.38/29 FLEX HOSE D.29	1,00			--
0001	MPVR06983		CUFF D.38/29 FLEX HOSE D.29	1,00			--



Ref. K	Part n.	Part n. 2	Description	Quantity	Validity		Price
					From	To	
0001	MEPF00038		SOCKET W/YELLOW LIG.SIGN. 220V	1,00			--
0002	RCVR00845		HOSE FITTING WARNING LIGHT	1,00			--
0003	VTRS00415		WASHER SELF-LOC. D.6 ZA6	1,00			--
0004	TBBP00547		TUBE PVC D.5X3 CM46 X WAR LIGH	1,00			--