



IPC

Spare parts list

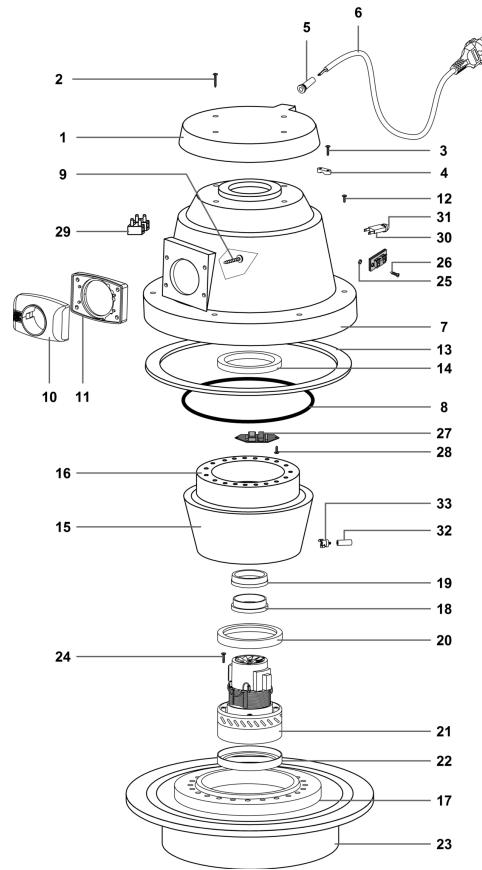
Ref: ASDO11710
Cust.ref: 731019182161
Model: SPEC.DUST TANK VAC
Cust.model: FOMA 182161



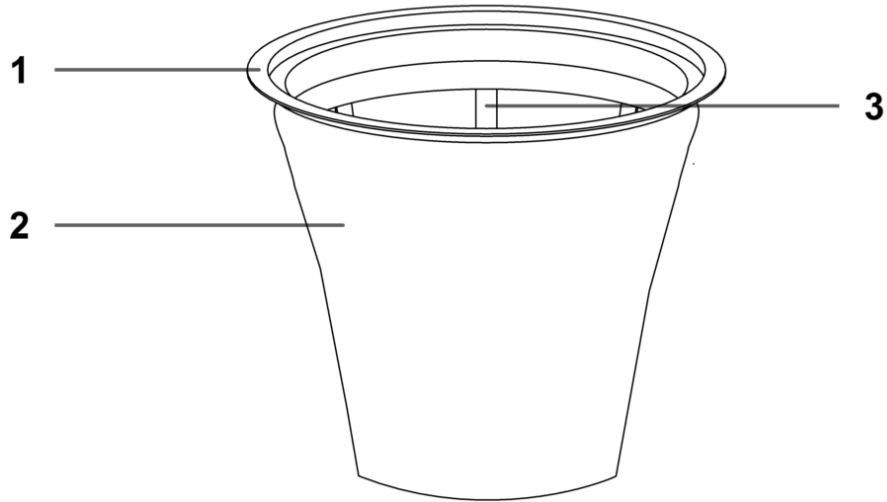
IPC Integrated Professional Cleaning

IPC Soteco

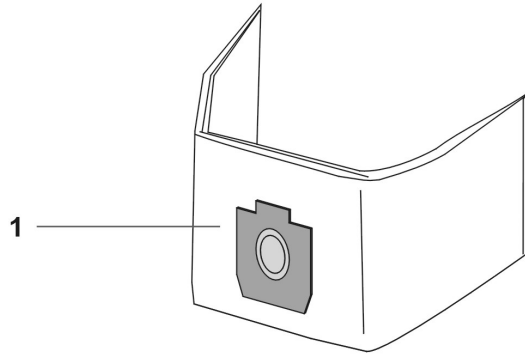
Ref. K	Part n.	Part n. 2	Description	Quantity	Validity		Price
					From	To	
0001	PMTA04115		HEAD W 27/S RAD. 1200W	1,00			--
0002	KTRI02142		KIT RING+FILTER+BASKET300 SAN.	1,00			--
0003	FTDP00421		PAPER BAG FROMA W27	1,00			--
0004	PMFU01379		C.BARE TANK DEC.300 WO/HOLE H=245	1,00			--
0005	LAFN10497		TANK CON D.60 G/45 FN AISI 430 COMP	1,00			--
0006	PMDT00791		KIT ACCESS. W 20/ OR/ELT (ORANIER)	1,00			--
0007	KTRI02526		SET FOMA SCREWS + PLUGS	1,00			--



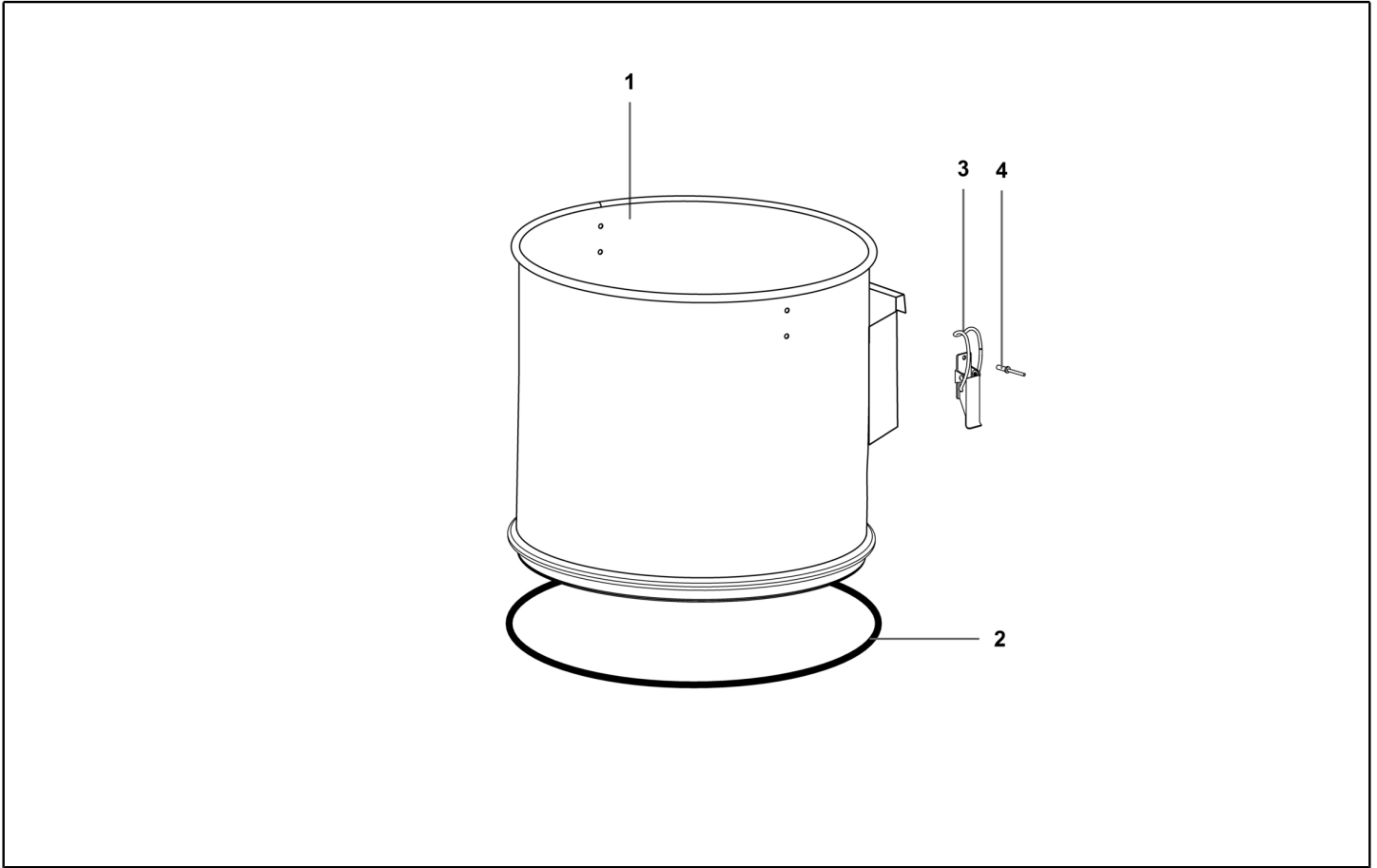
Ref. K	Part n.	Part n. 2	Description	Quantity	Validity		Price
					From	To	
*	MECB01824		WIRING 40CM MOTOR POKE-IN	1,00	19/03/2019		--
*	FSVR00127		CLAMP	2,00			--
*	MEVR01794		SPRING BIPOLAR TERMINAL	1,00			--
*	MEVR02225		FASTON COVER FOR ART.01103/C	2,00	12/09/2018		--
*	MECB01611		CONN.WIRE C.AWG-18 350-RO-FF-FF	1,00			--
*	MECB01562		CONN.WIRE C.400-MA-FF-FFC	1,00			--
*	MECB02117		WIRING BASSA TENS. CENTR. 300	1,00			--
0001	MPVR06808		CENTRAL COVER W27 NORM.RED	1,00			--
0002	VTVT71966		SCREW PAT TMT PHL 5X30 BLACK	4,00			--
0003	VTVT71961		SCREW PFU TMT PHL 5X20 ZN NERA	2,00			--
0004	MPVR28690		CABLE CLAMP	1,00			--
0005	MEVR28673		FAIRLEAD	1,00			--
0006	MECB28672		ELECTRIC CORD 2X1 MT.8,5	1,00			--
0007	PMVR04488		COVERING S. CENTR. RED	1,00			--
0008	GUVR00534		GASKET D.7 L=645	1,00			--
0009	VTVT71966		SCREW PAT TMT PHL 5X30 BLACK	4,00			--
0010	MPVR72109		INLET R 155 BLACK	1,00			--
0011	GUGO28736		GASKET R 205 BLACK	1,00			--
0012	VTVT71960		SCREW SCREW PAT TMT PHL 5X14 ZN	6,00			--
0013	GUVR00369		GASKET BLOWING	1,00			--
0014	MPVR38371		WASHER H8 D85X65	1,00			--
0015	MPVR07629		MOTOR FASTENER BLOWING SELF-EXTRACTING	1,00			--
0016	GUVR00381		RING MTP/30 DIA.180X92 AU	1,00			--
0017	FTDP38067		WASHER MTP 65MM 18D 230X145	1,00			--
0018	MPVR09674		RING MOTORE H=20 (27) PLAST AU	1,00			--
0019	MPVR04834		RING MOTORE H=13 (20) PLAST.AU	1,00			--
0020	GUGO28683		"L" GASKET W/O HOLES H=5,5	1,00			--
0021	MOMO00678		MOTOR BD382 1300W 220-240 50/60	1,00	19/09/2018		--
0022	GUGO28683		"L" GASKET W/O HOLES H=5,5	1,00			--
0023	PMBAA00400		BASE W20S W/GASKET	1,00			--
0024	VTVT71961		SCREW PFU TMT PHL 5X20 ZN NERA	4,00			--
0025	MPVR12331		SPACER PLASTIC D.10 D.6,3X20	2,00	12/09/2018		--
0026	VTVT01091		SCREW TSP W/ACC. M 3X16 UNI6109	2,00	19/03/2019		--
0027	MECE00629		ELECTRONIC CARD 1 RELAY	1,00			--
0028	VTVT71960		SCREW SCREW PAT TMT PHL 5X14 ZN	2,00	19/03/2019		--
0029	MECB01963		TERMINAL BOARD 300-500 2P RAD TP 1200	1,00	19/03/2019		--
0030	METK00045		GROUND PROTECT. 8 A	1,00	15/04/2016		--
0031	MEVR02388		CAP 3/8	1,00	15/04/2016		--
0032	MEVR02173		THERMAL PROBE H=22 DIA 12	1,00	12/09/2018		--
0033	METK41830		THERMOREGULATOR MAX T.85 C	1,00	12/09/2018		--



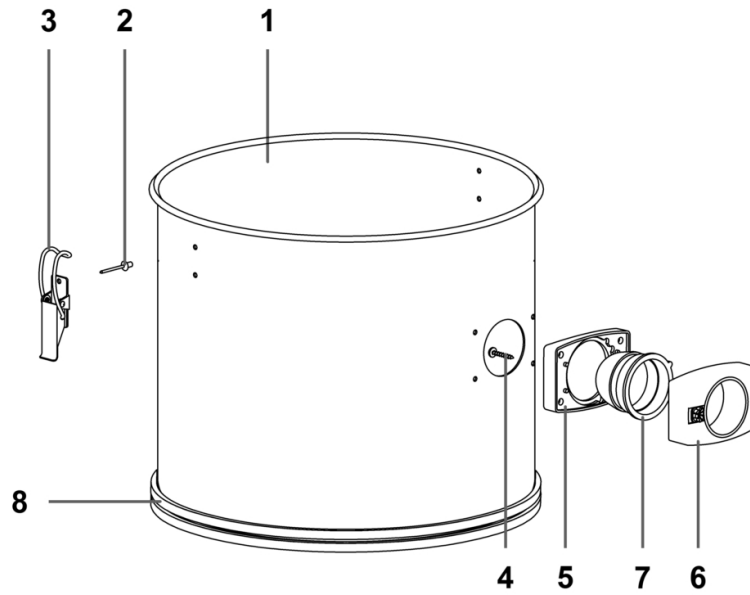
Ref. K	Part n.	Part n. 2	Description	Quantity	Validity		Price
					From	To	
0001	MPVR35494		FILTER RING 300	1,00			--
0002	FTDP00547		FILTER POLY AN3-500 CON REG H180	1,00			--
0003	MPVR35490		LOWER CONICAL BASKET 300	1,00			--



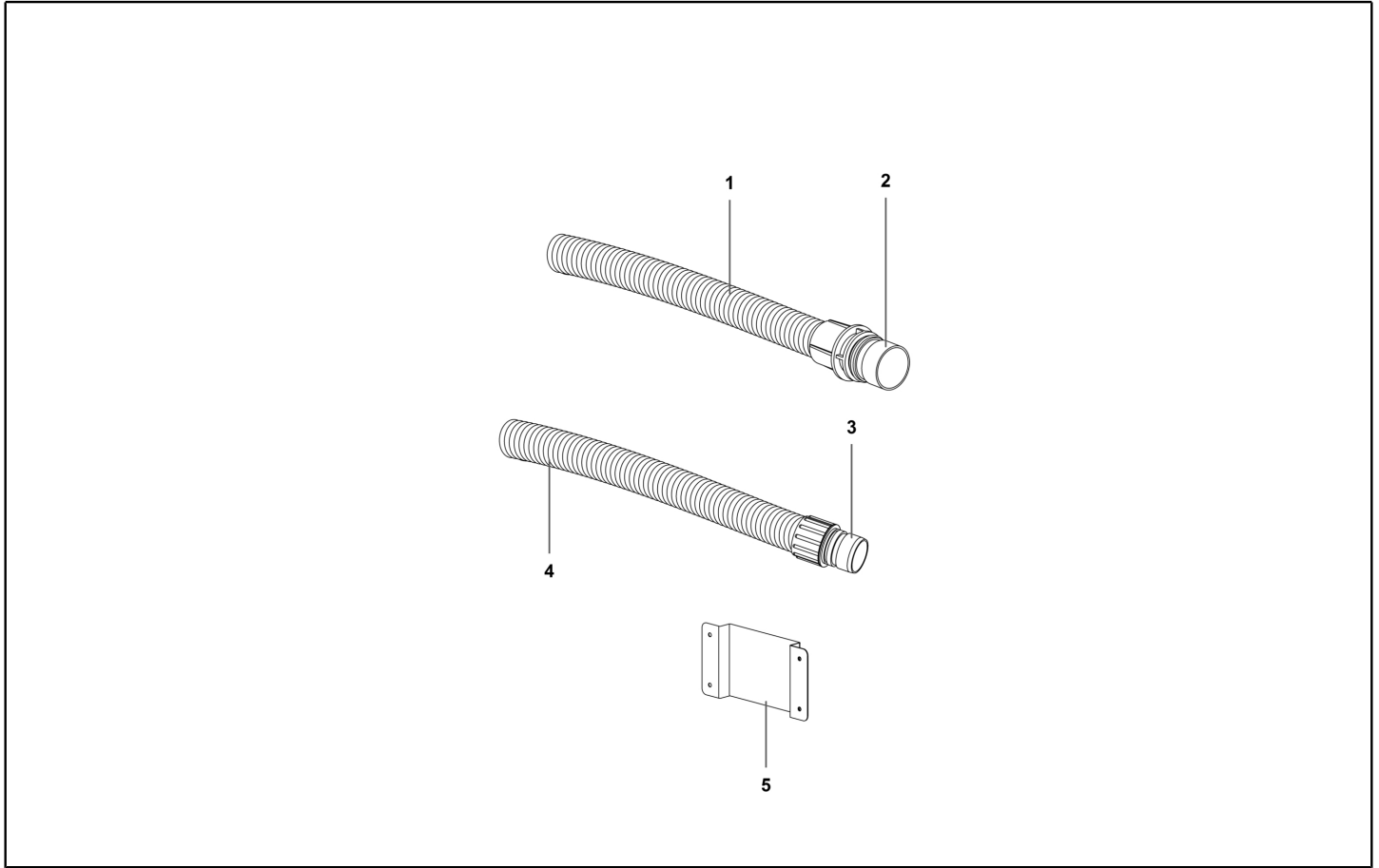
Ref. K	Part n.	Part n. 2	Description	Quantity	Validity		Price
					From	To	
0001	FTDP00421		PAPER BAG FROMA W27	1,00			--
0001	FTDP00421		PAPER BAG FROMA W27	1,00			--



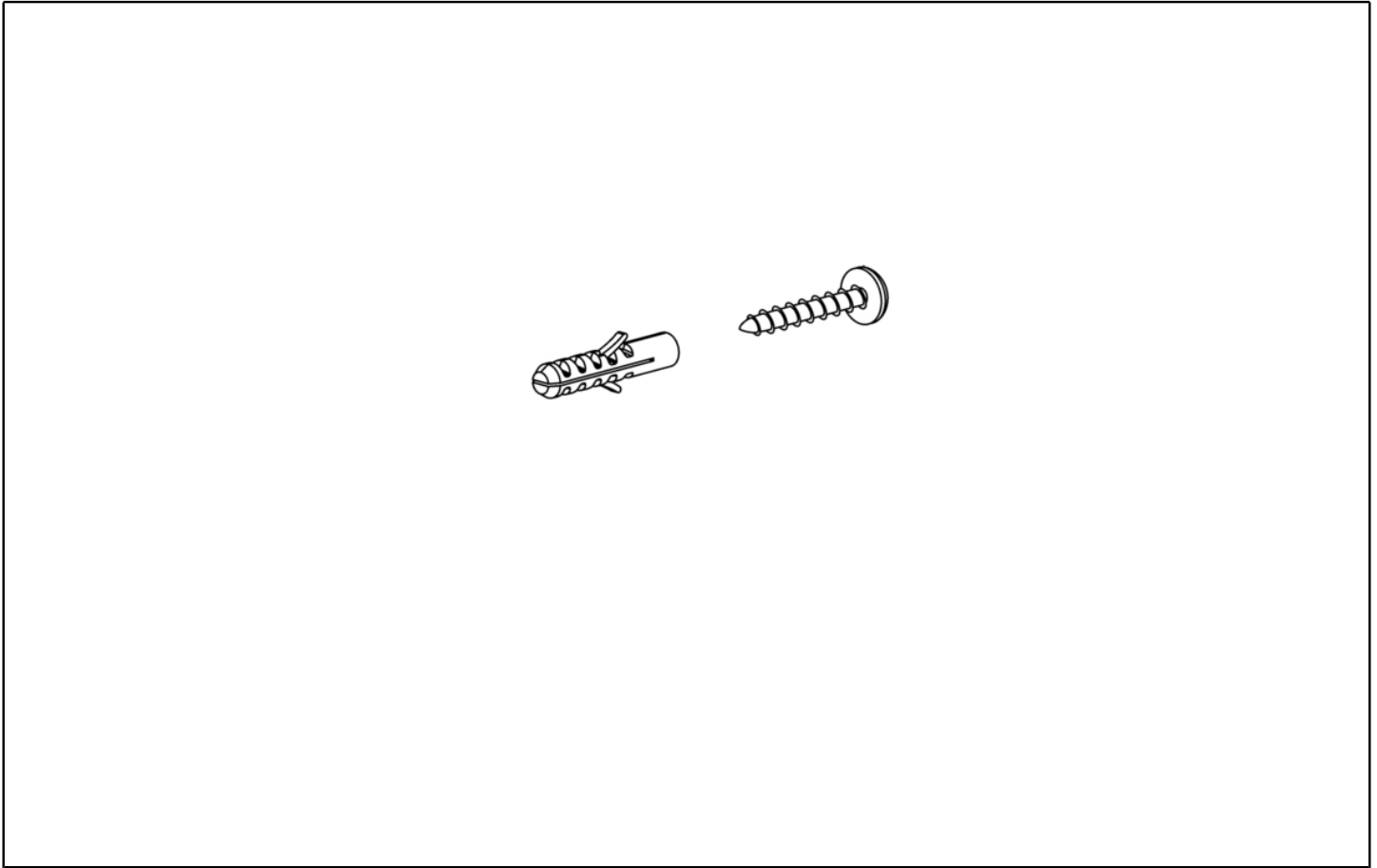
Ref. K	Part n.	Part n. 2	Description	Quantity	Validity		Price
					From	To	
0001	PMVR03912		BARE TANK DEC.300AISI WO/HOLE H=245	1,00			--
0002	GUVR00541		GASKET DEC.300 D. 7 L=880	1,00			--
0003	CHVR40000		UNIVERSAL METAL HOOK	2,00			--
0004	VTVR71991		RIVET 5X11	4,00			--



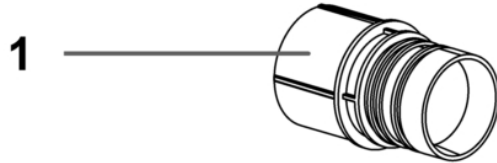
Ref. K	Part n.	Part n. 2	Description	Quantity	Validity		Price
					From	To	
0001	LAFN09741		TANK CONDOR AISI 430 G/45°	1,00			--
0002	VTVR71991		RIVET 5X11	4,00			--
0003	CHVR40000		UNIVERSAL METAL HOOK	2,00			--
0004	VTVT71966		SCREW PAT TMT PHL 5X30 BLACK	4,00			--
0005	GUGO28736		GASKET R 205 BLACK	1,00			--
0006	MPVR72129		COMPLETE INLET 99/60 BLACK	1,00			--
0007	MPVR42004		DEFLECTOR 99/60	1,00			--
0008	MPVR10521		SHOCKPROOF BAND 300 ROSSO NORMALE	1,00			--



Ref. K	Part n.	Part n. 2	Description	Quantity	Validity		Price
					From	To	
0001	TBFX00586		FLEX HOSE 58 G55 X METER	0,70			--
0002	MPVR41815		COUPLING 99 FOR FLEX HOSE D.58/D.60	1,00			--
0003	MPVR07479		SLEEVE TUBOFLEX D.38/D.38 C/OR	1,00			--
0004	TBFX00558		FLEXIBLE HOSE 38 GR5500 AL METRO	8,00			--
0005	LAFN08246		WALL BRACKET AISI 304 FOR TANK	1,00			--



Ref. K	Part n.	Part n. 2	Description	Quantity	Validity		Price
					From	To	
	KTRI02526		SET FOMA SCREWS + PLUGS	1,00			--
	KTRI02526		SET FOMA SCREWS + PLUGS	1,00			--



Ref. K	Part n.	Part n. 2	Description	Quantity	Validity		Price
					From	To	
0001	MPVR41815		COUPLING 99 FOR FLEX HOSE D.58/D.60	1,00			--
0001	MPVR41815		COUPLING 99 FOR FLEX HOSE D.58/D.60	1,00			--