

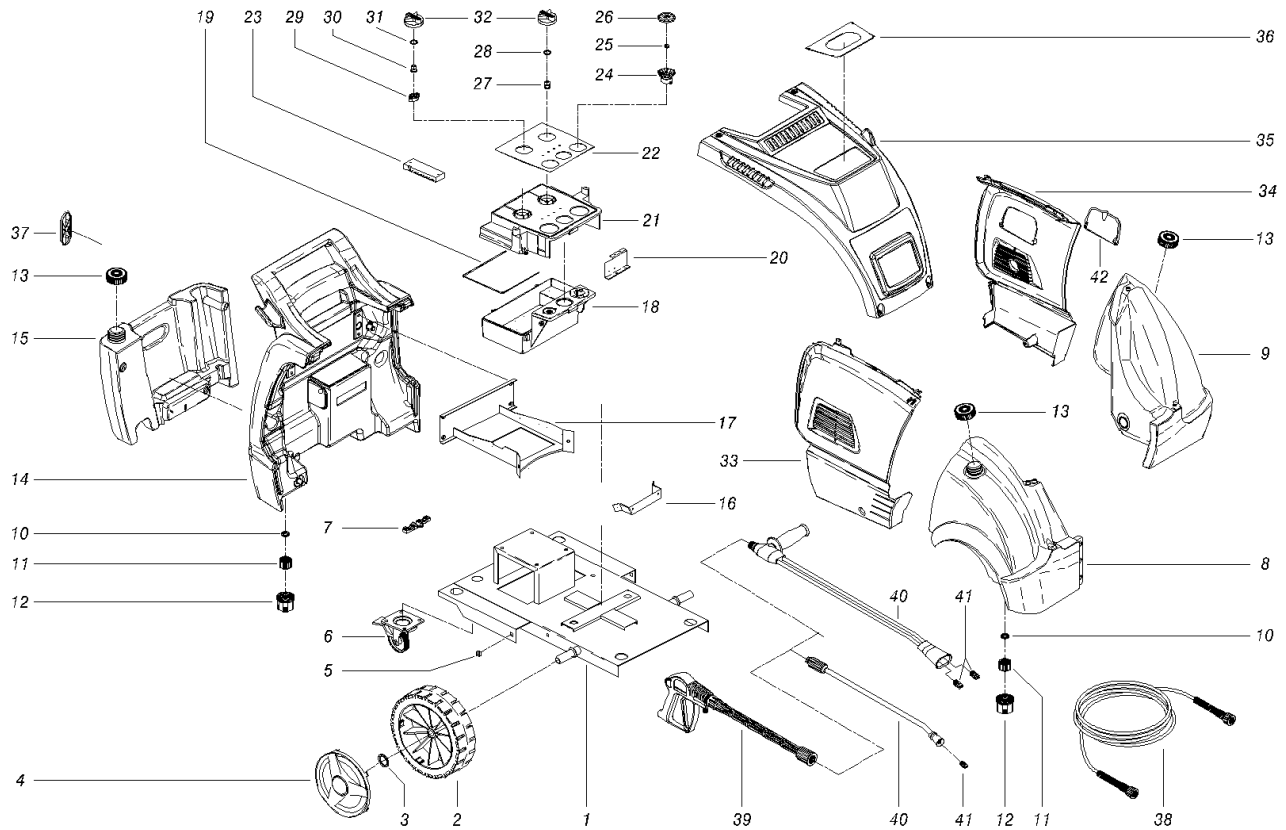


Spare Parts List

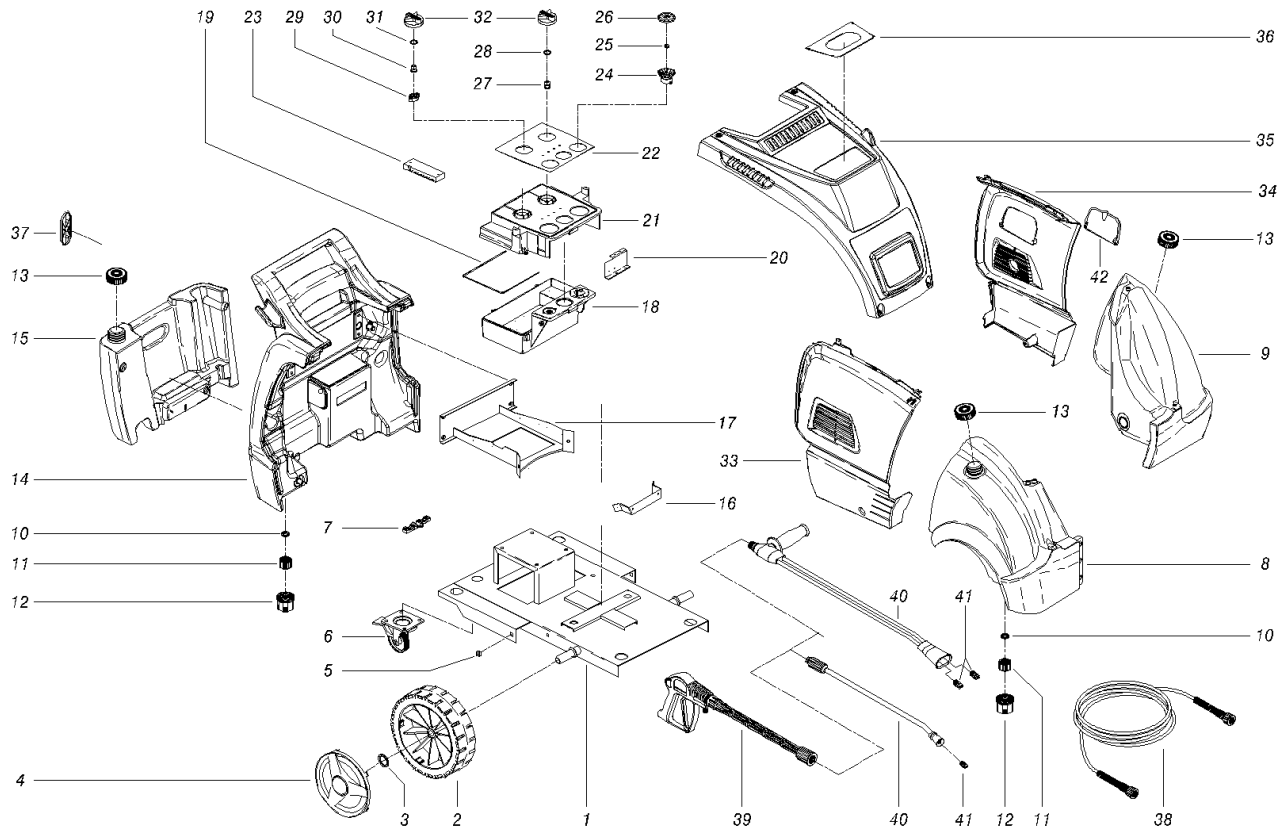
FOMA NORGE AS

Ref: IDAC46204 - 121130

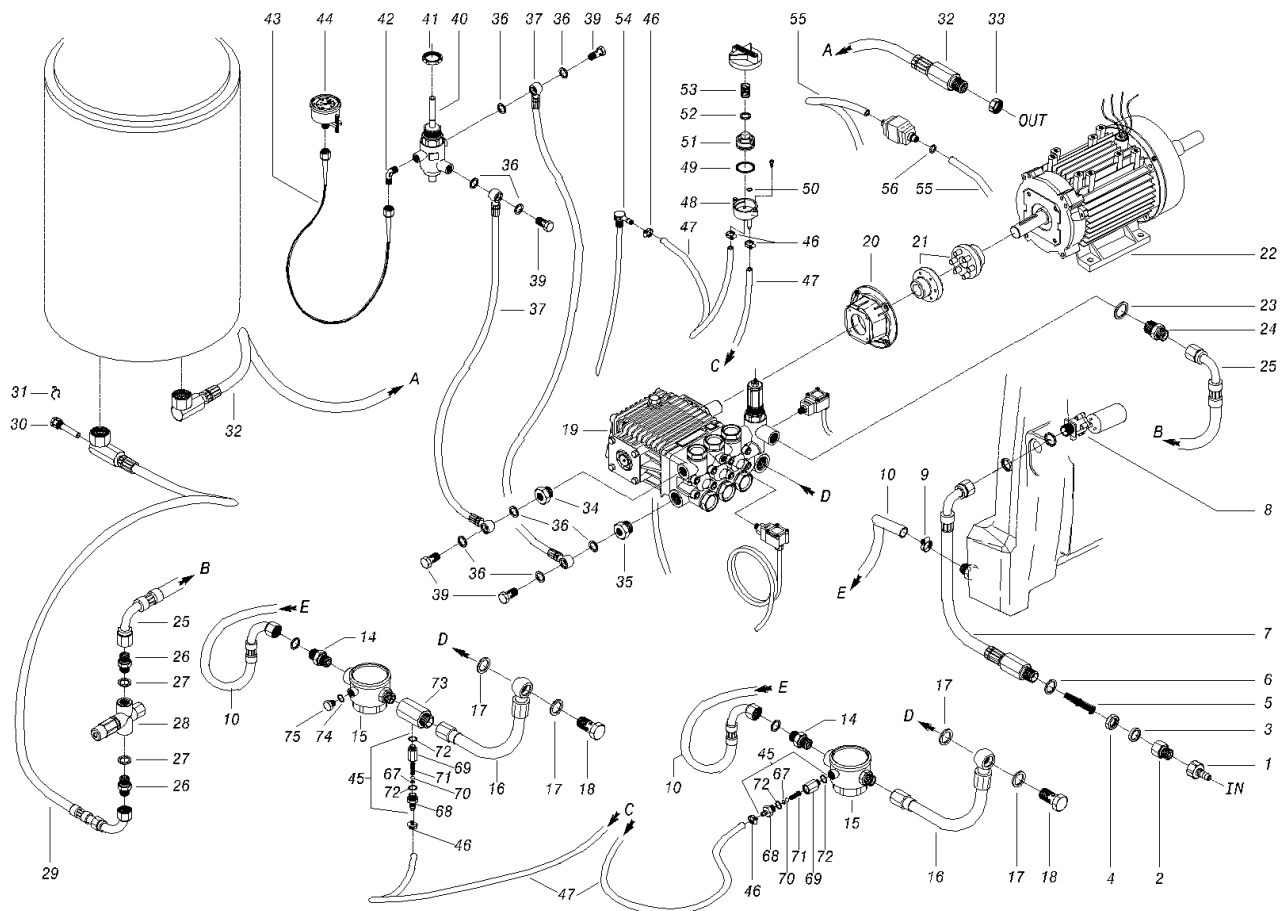
Model: Powerwash 180 TST



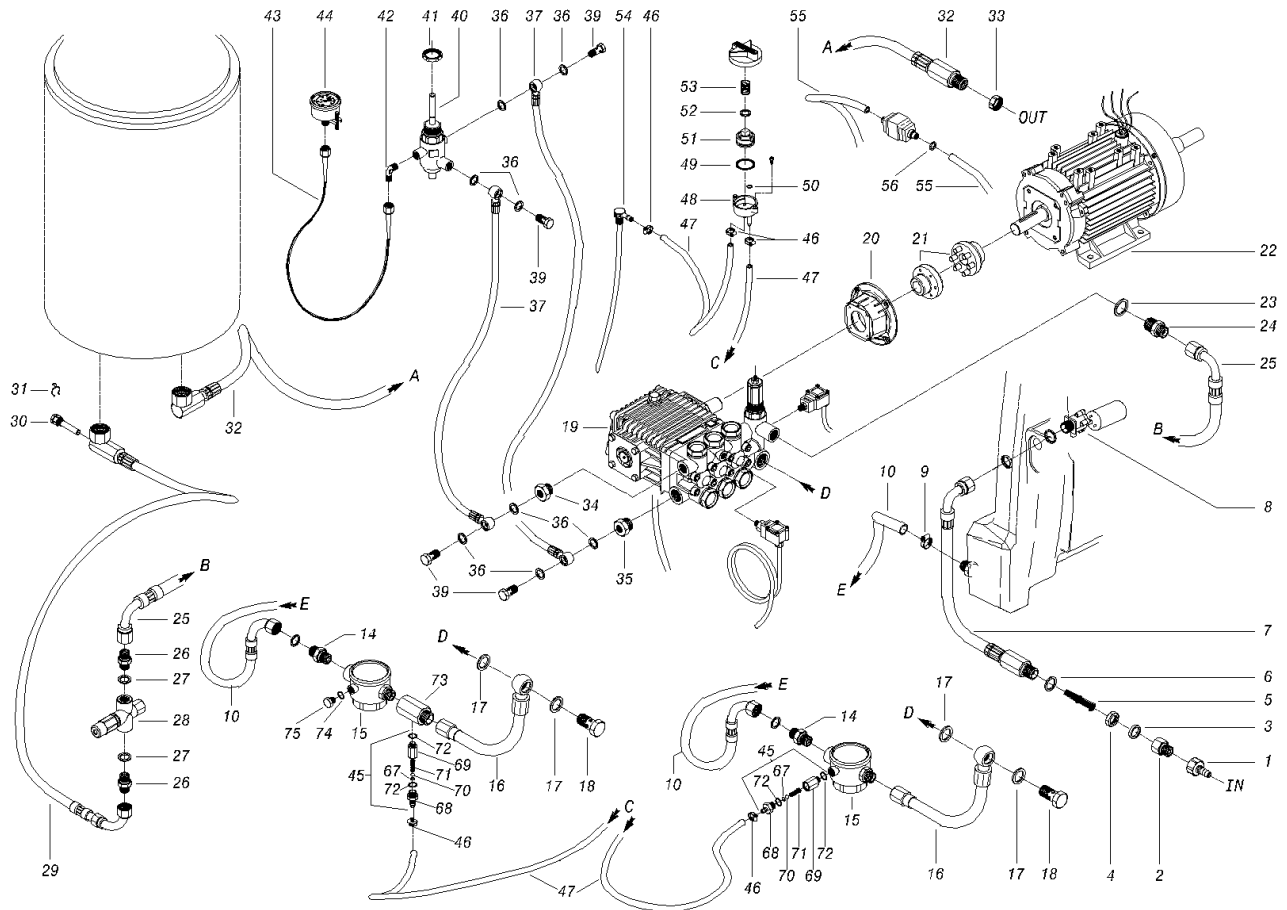
Ref.	K	Part N.	Customer Part N.	Description	Qty	Validity: From	To	Price
0001		LAFN44888		CHASSIS P176	1,00			--
0002		RTRT45383		WHEEL D.305-D.25 RT-IPC	2,00			--
0003		VTRS09813		WASHER D.25	2,00			--
0004		MPVR45384		RED WHEEL COVERD. 305 RT-PRT	2,00			--
0005		VTDD46044		NUT M 6 GB. 1.7X 2.5 ZT	2,00			--
0006		RTRT13708		TURNING WHEEL D.125 P. MZ.PLS	1,00			--
0007		MEVR20906		CABLE FASTNER KSM	1,00	03/2002		--
0007		MEVR33994		CABLE FASTNER 4228 B D. 6- 18	1,00		03/2002	--
0008		MPVR45432		FUEL TANK P176 PEHD	1,00		01/2004	--
0008		MPVR49979		FUEL TANK P176 C/F.G1/2 PEHD	1,00	01/2004		--
0009		MPVR45431		TANK P176 PEHD	1,00		01/2004	--
0009		MPVR49978		TANK P176 C/F.G1/2 PEHD	1,00	01/2004		--
0010		GUGO11489		GASKET D.22X1,5	4,00	12/2005		--
0010		GUGO11489		GASKET D.22X1,5	4,00		01/2004	--
0010		GUGO49900		GASKET D. 23- 35 X 3.0 A.OLIO	4,00	01/2004	12/2005	--
0011		PVVR11806		DISCHARGE CAP FLL	4,00			--
0012		MPVR20187		RING NUT M 39 X 3	4,00			--
0013		MPVR45426		TANK CAP P176 PEHD	3,00			--
0014		MPVR45429		HANDLE P176-OPTIMA C/SRB. PEHD	1,00			--
0015		MPVR45430		TOOL HOLDER P176 C/SRB. PEHD	1,00			--
0016		LAFN45946		BOX SUPPORT P176	1,00		10/2002	--
0016		LAFN47470		SUPPORT P176-2V.	1,00	10/2002		--
0017		LAFN44875		SUPPORT P176	1,00		10/2002	--
0017		LAFN47466		SUPPORT P176-2V.	1,00	10/2002		--
0018		MPVR44327		CONTROL BOX P176 ABS	1,00		01/2003	--
0018		MPVR47414		CONTROL BOX P176-2 ABS	1,00	01/2003		--
0019		GUGO11309		JOINT MOUSSE D. 3	1,20		04/2003	--
0019		GUGO33675		JOINT MOUSSE D. 4	0,97	04/2003		--
0020		LAFN45827		SUPPORT BRACKETP176 BT	1,00			--
0021		MPVR44326		BOX COVER P176 ABS	1,00		01/2003	--
0021		MPVR47415		BOX COVER P176-2 ABS	1,00	01/2003		--
0022		ETET45898		LABEL P176-OPTIMA PLC	1,00			--
0023		MPVR33250		CABLE CLAMP COVMISTRAL	1,00			--
0024		MPVR45422		KNOB P176 PA6 BK.	1,00			--
0025		VTAE13935		CIRCLIP D. 7 UNI 7435	2,00		04/2002	--
0025		VTAE14096		CIRCLIP D. 8 UNI 7435	2,00	04/2002		--
0026		MPVR45859		CAP P176 BK.	1,00			--
0027		MPVR23482		TAIL PIECE TEC. TUV	1,00			--
0028		GUGO23079		V-SEAL RING VA0014 13.5- 15.5	1,00			--



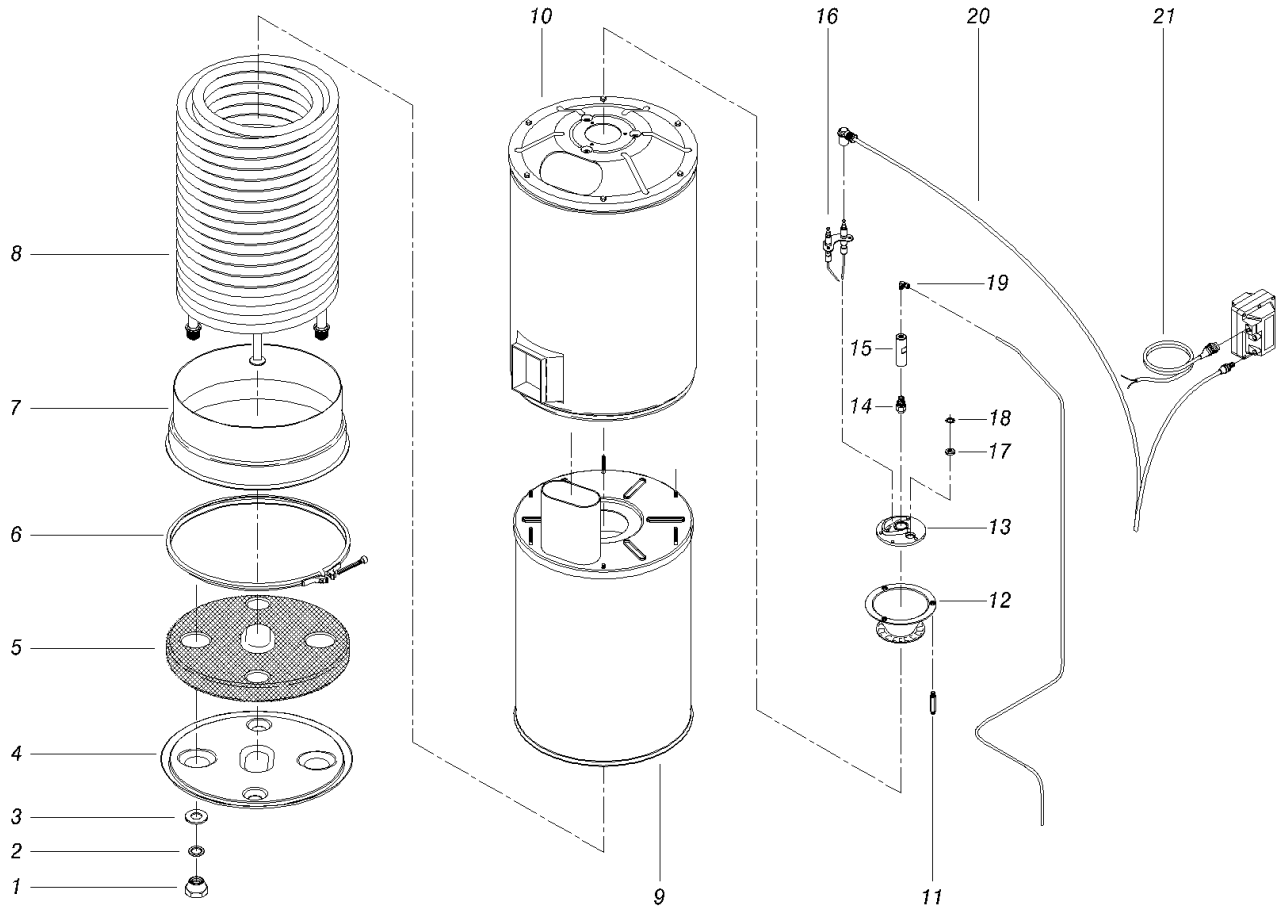
Ref.	K	Part N.	Customer Part N.	Description	Qty	Validity:		Price
						From	To	
0029		MPVR41903		THICKNESS TERM.IM.PA66	1,00			--
0030		MPVR23484		TAIL PIECE THERM.KSM TUV	1,00			--
0031		GUGO25527		O-RING D. 14 X 3 NBR 70SH	1,00			--
0032		MPVR20190		GREY KNOB KSM	3,00			--
0033		MPVR45796		LAT. PANEL P176 DX RD	1,00			--
0034		MPVR45795		LAT. PANEL P176 SX RD	1,00		03/2003	--
0034		MPVR48302		LAT. PANEL P176 SX 2V.RD	1,00	03/2003		--
0035		MPVR45881		RED COVER P176-OPTIMA PP	1,00			--
0036		LAFN45454		PANEL P176-OPT INX	1,00			--
0037		MPVR45452		CAP P176 PP RED	2,00			--
0038		TBAP25324		H.P. HOSE R1 MT 10 5/16" IRV - IRV	1,00			--
0039		IPPR45298		GRIP G 4500 - P 330 - M22 M V	1,00			--
0040		LCPR12983		DOUBLE EXTENS. PD 70	1,00			--
0041		UGLN02287		NOZZLE 1/4 2504	2,00			--
0042		MPVR48402		RED THROTTLE P176 PP	1,00	03/2003		--
9999		KTRI16996		KIT P 33- 1	1,00	01/2003		--



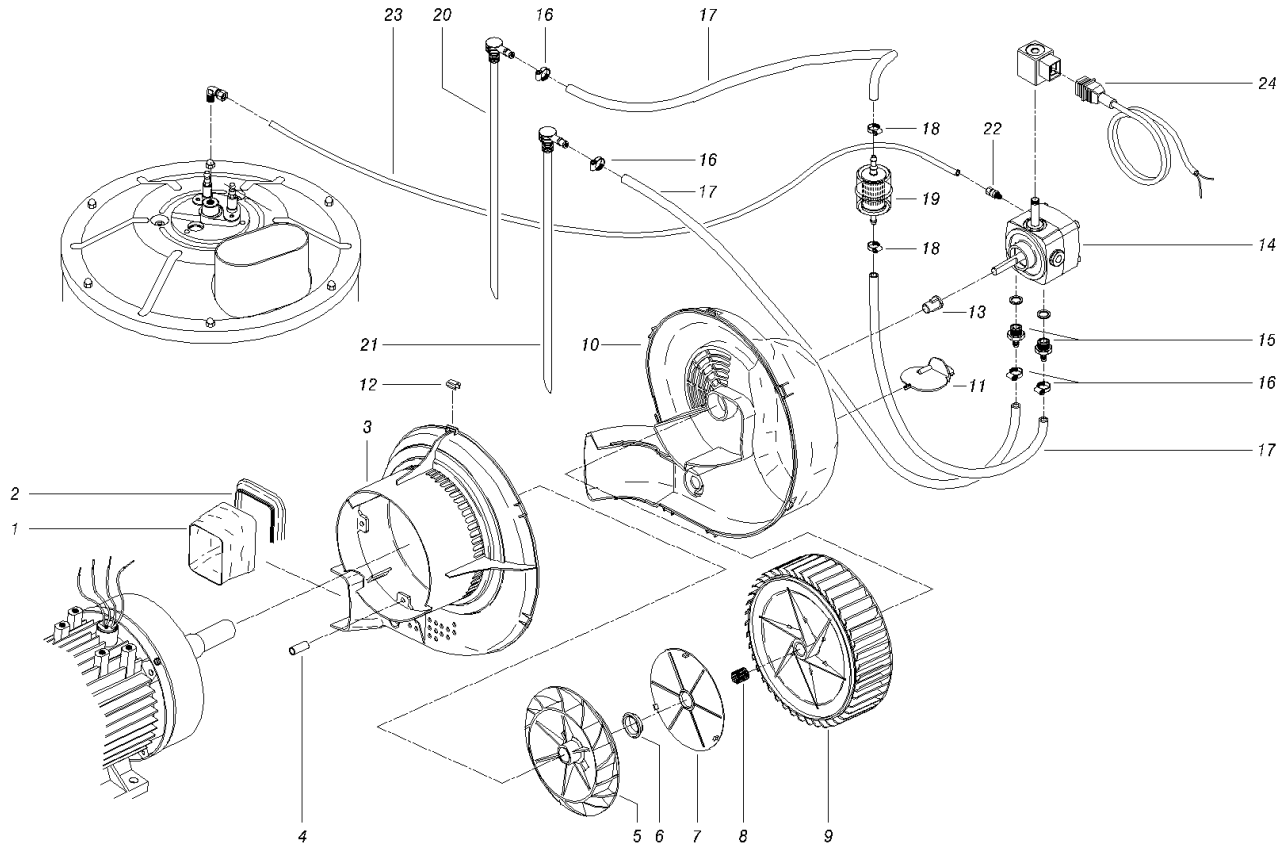
Ref. K	Part N.	Customer Part N.	Description	Qty	Validity: From	To	Price
0001	RCVR29600		SOCKET PTC 3/4 F	1,00			--
0002	RCVR37806		REDUCTION PTC 3/4-1/2 M/F	1,00			--
0003	GUGO37736		GASKET D. 10- 19 X 5 70SH	1,00			--
0004	RCDS21223		RING NUT 1/2" X 4 NIK	1,00		11/2003	--
0004	RCDS49875		RING NUT 1/2" X 6 CH.27 OT.	1,00	12/2003		--
0005	FTAC30214		FILTER D.15X67	1,00			--
0006	VTRS00549		WASHER D.21,5X27X1,5 (1/2) RM	1,00			--
0007	GUGO89255		GASKET D. 17.5-24 X 2 EPDM	1,00	06/2005		--
0007	TBBP46227		L.P. HOSE L= 650 3/4F 90°- 1/2M	1,00	03/2002		--
0008	RCGR60703		FLOATER MTM 3/4 PP. S/F.	1,00			--
0009	FSVR00431		CLAMP D. 16-25	1,00			--
0010	TBBP87602		L.P. HOSE L=350 3/4F 90°-LB.	1,00			--
0014	RCDS46142		NIPPLE 3/4 - 1/2 CB D. 6.0	1,00		01/2004	--
0014	RCDS87610		NIPPLE 3/4 - 1/2 CB D.13.0	1,00	01/2004		--
0015	FTAC46472		WATER FILTER 1/2 MF	1,00	02/2002	12/2004	--
0015	FTAC73009		WATER FILTER 1/2 MF	1,00	12/2004		--
0016	RCDS45446		TUBE D.16X2 90° OC.1/2"-G 1/2F	1,00			--
0017	VTRS12491		WASHER 1/2	2,00			--
0018	RCDS16328		SCREW G 1/2 D.8	1,00			--
0019	PPAP45415		PUMP "63" EL1413V DX T.OT.H DS	1,00			--
0020	MFVR44328		COUNTERFLANGE H100 P176	1,00			--
0021	FGGT45424		FLEX. COUPLING W 1 2PZ. P176	1,00		04/2003	--
0021	FGGT46926		HALF COUPLING W1	1,00	04/2003		--
0022	MOTR45410		3PH MOTOR P176 HP 5 400-504P H100	1,00		04/2003	--
0022	MOTR46921		3PH MOTOR P176 HP 5 400-504P SG	1,00	04/2003		--
0023	GUGO03507		O-RING D. 13.95 X 2.62 VIT 70SH	1,00			--
0024	RCDS21480		NIPPLE 3/8 - 3/8 SV S.OR	1,00			--
0025	TBAP46212		HOSE-FITTING 3/ 8 R2 L=470 3/8F-F 90°	1,00			--
0026	RCDS00610		NIPPLE 3/8 - 3/8 SV	2,00			--
0027	VTRS00548		WASHER D.17,5X22X1,5 (3/8)RM	2,00			--
0028	VVSC40541		VALVE VS 220 2 G3/8 F	1,00			--
0029	TBAP46211		HOSE-FITTING 3/ 8 R2 L=245 3/8F90-1/2P	1,00			--
0030	RCDS00593		SUMP IM 0-120 L=50	1,00			--
0031	MLML02623		SPRING IMT	1,00			--
0032	TBAP46228		HOSE-FITTING 3/ 8 R2 L=485 M26+3/8F-P.	1,00	03/2002		--
0032	RCIN09348		MALE COUPLING 3/8MA L=32	1,00	05/2002		--
0033	RCDS21120		RING NUT M 26 X 1,5	1,00	03/2002		--
0034	RCVR03760		REDUCTION 3/8-1/8 M/F	1,00			--
0035	RCDS46197		REDUCTION 1/2-1/8 M/F OT CH.24	1,00			--



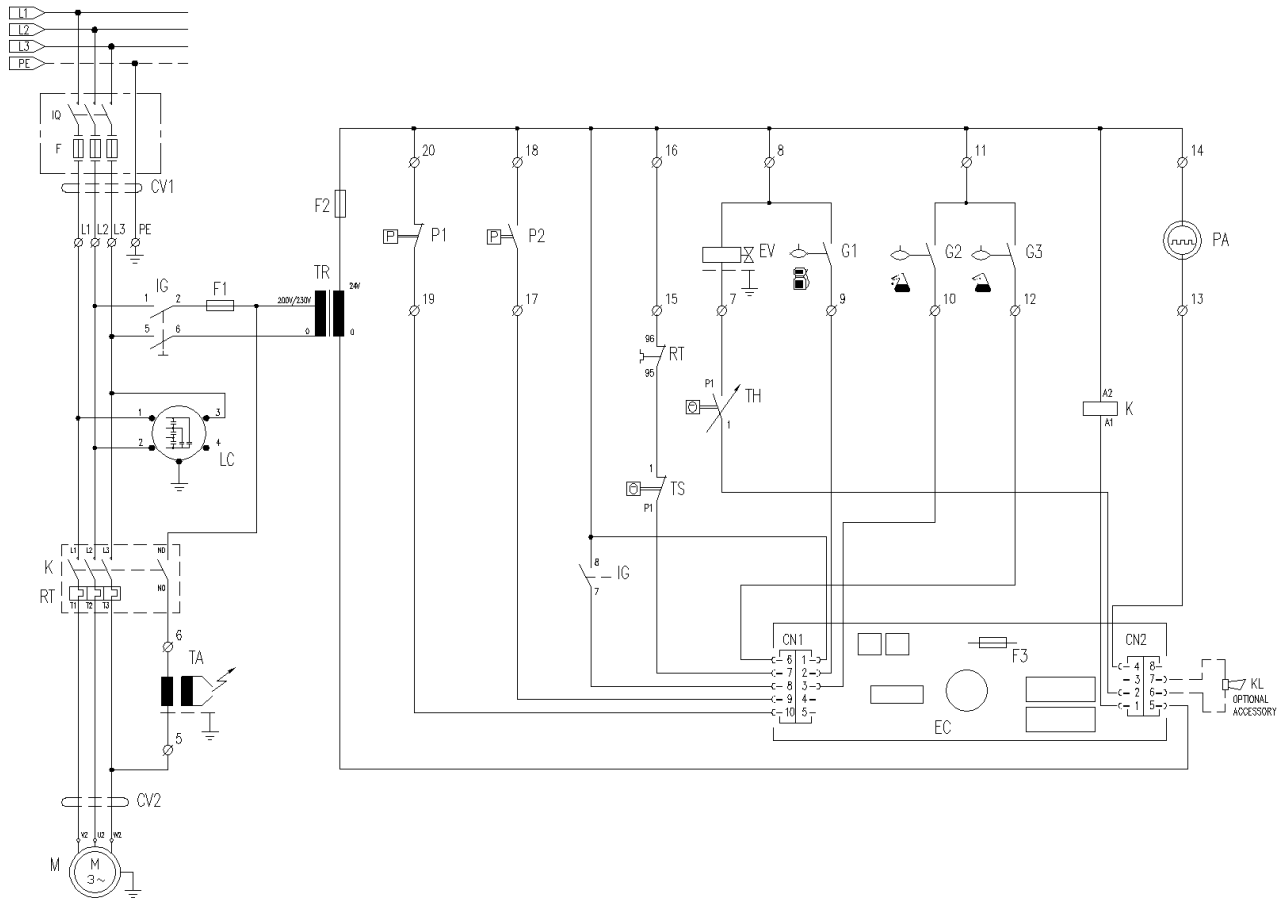
Ref. K	Part N.	Customer Part N.	Description	Qty	Validity:		Price
					From	To	
0036	VTRS15369		WASHER D.10 X14X1 1/8	8,00			--
0037	TBAP45876		POLYAMIDE HOSE L=510 1/8OC.-1/8OC.	2,00			--
0039	RCDS15625		SCREW G 1/8 L=22	4,00			--
0040	VVSF46731		PRESSURE VALVE P176 D.1.35 MV	1,00			--
0041	RCDS21223		RING NUT 1/2" X 4 NIK	1,00			--
0042	RCVR35844		ELBOW 1/4-1/8 M/M NIK	1,00			--
0043	TBAP42069		POLYAMIDE HOSE L=260 1/4-1/4 F-F	1,00			--
0044	MNMN07992		PRESSURE GAUGE 0-250 D.50	1,00		11/2003	--
0044	MNMN49621		PRESSURE GAUGE 0-250 D.50 INOX	1,00	11/2003		--
0045	VVSF46712		VALVE 1/4M -PG. D.3X7.5	1,00			--
0046	FSVR00427		CLAMP D. 12 CLIC 66-110	4,00			--
0047	TBBP00051		DETERGENT HOSE D. 6-12	2,20			--
0048	RCGR08069		TAP BODY DET. PRT	1,00			--
0049	GUGO12183		O-RING D. 23.4 X 3.53 VIT 70SH	1,00			--
0050	GUGO08071		O-RING D. 4.48 X 1.78 NBR 70SH	1,00			--
0051	RCGR08070		ADJUSTER PRT	1,00			--
0052	VTRS00542		WASHER D.14X20	1,00			--
0053	MLML08068		SPRING D.1,5 L.23	1,00			--
0054	RCDS46087		SUCTION L=400 CPL	1,00			--
0055	TBBP00058		L.P. HOSE D. 4- 6	0,72			--
0056	GUGO03500		O-RING D. 6.75 X 1.78 NBR 70SH	1,00			--
0067	GUGO01055		O-RING D. 5.28 X 1.78 VIT 70SH	1,00			--
0068	RCDS10546		VALVE SEAT 1/4M + PG. D.3-7.5 OTT	1,00			--
0069	RCDS46072		VALVE BODY N/R 1/4F-1/4 P176 OT	1,00			--
0070	SFVR04274		BALL D. 7/32	1,00			--
0071	MLML21505		SPRING D. 8 X5 X0.3	1,00			--
0072	GUGO01036		O-RING D. 10.82 X 1.78 NBR 70SH	2,00			--
0073	RCDS87607		SLEEVE 1/2 M/F +1/4F CB.D.8 OT	1,00	01/2004		--
0074	GUGO19194		O-RING D. 11.11 X 1.78 NBR 70SH	1,00	01/2004	12/2004	--
0075	RCVR00659		CAP 1/4 M	1,00	01/2004	12/2004	--



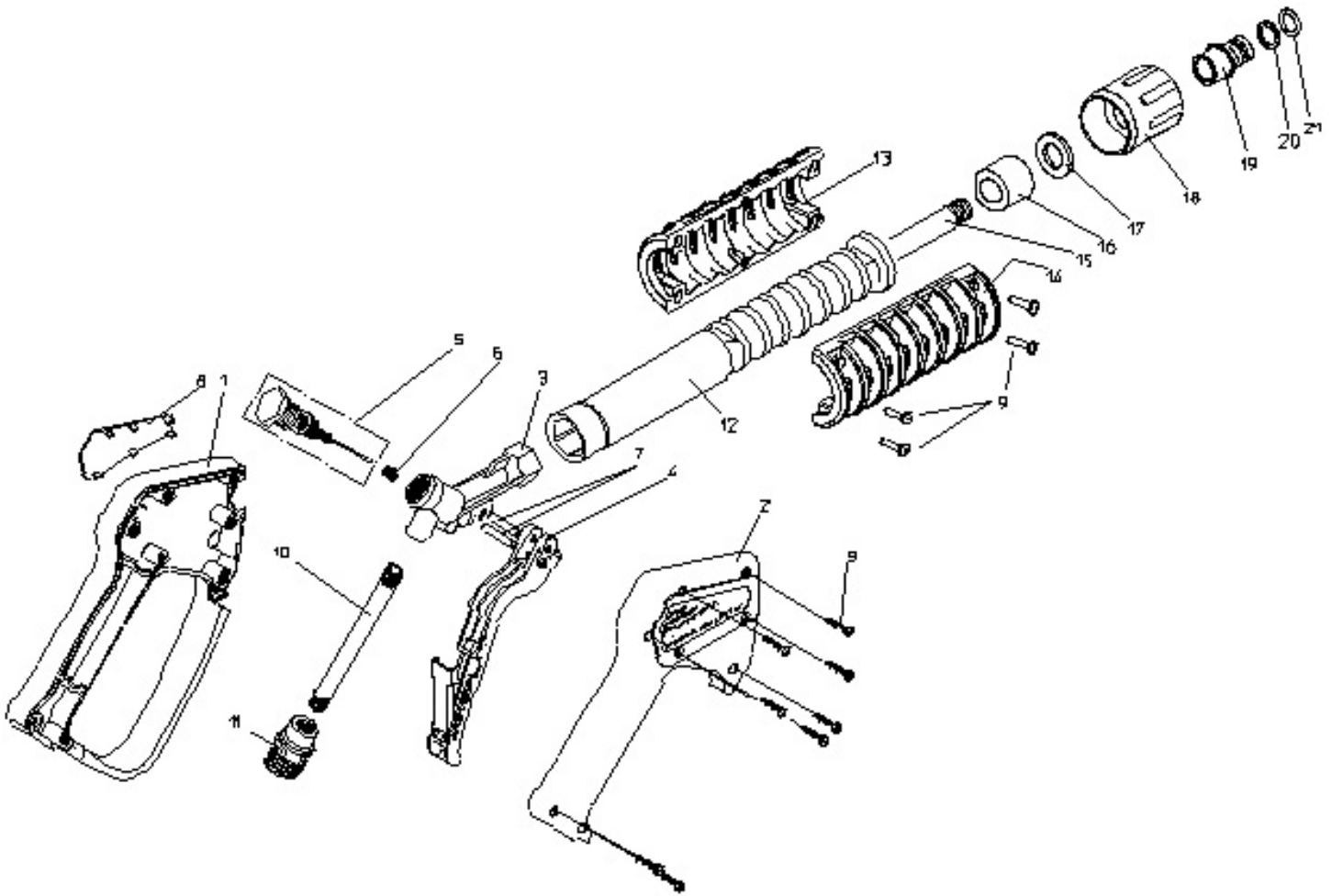
Ref. K	Part N.	Customer Part N.	Description	Qty	Validity: From	To	Price
0001	RCDS21120		RING NUT M 26 X 1,5	2,00			--
0002	GUGO21222		O-RING D. 15.54 X 2.62 VIT 80SH	2,00			--
0003	GUVR21021		ANTI-EXTR.RING D. 21 X17 TEF.	2,00			--
0004	LAFN44149		BOILER BOTTOM P176	1,00	10/2002		--
0005	ITTE44175		BOTTOM P176 C.TE	1,00	10/2002		--
0006	LAFN44150		RING D.345 P176 ZN	1,00	10/2002		--
0007	LAFN44151		BAND P176 INX	1,00	10/2002		--
0008	LAGR44154		DOUBLE COIL M26X1.5 P176 30MT	1,00	10/2002		--
0009	LAFN46225		INT. CYLINDER P176 CP.INX	1,00	10/2002		--
0010	LAFN46711		EXT. CYLINDER P176-IPC CP.	1,00			--
0011	LAFN44159		PIN CH.10 X 75.7 M5M/M5M P176	3,00	10/2002		--
0012	LAFN44244		BAFFLE P176 30M INX	1,00			--
0013	MFVR44251		ELECTR.HOLDER P176	1,00	02/2003		--
0014	UGBR22576		BURNER NOZZLE 1.35 60 S	1,00	02/2003		--
0015	RCDS07642		NOZZLE HOLDER FUT	1,00	02/2003		--
0016	MECA12525		ELECTRODE FUT	1,00	02/2003		--
0017	MPVR18228		OIL WARN-LIGHT D.17 X3	1,00		10/2002	--
0018	VTAE22633		SEEGER 0.4 X18,30X10,5	1,00		10/2002	--
0019	RCVR08954		ELBOW 1/8"-4 B5	2,00	02/2003		--
0020	MECV35334		CABLE A.T. 9,8-23KOHM/M L= 400P	2,00			--
0021	MECB34463		CABLE BT L=800 SP.	1,00			--



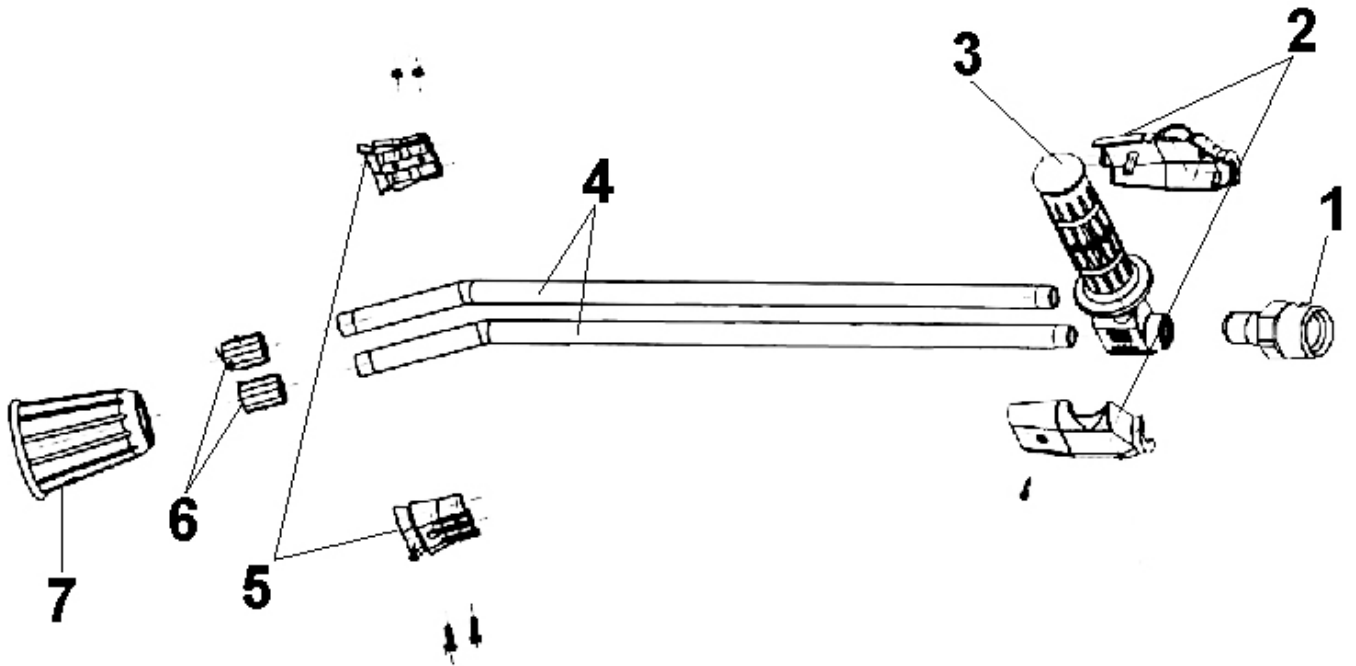
Ref. K	Part N.	Customer Part N.	Description	Qty	Validity:		Price
					From	To	
0001	MPVR44176		SLEEVE P176 H= 50	1,00			--
0002	FSVR01873		CLAMP LG 31920 9 X500	1,00	02/2002		--
0003	MPVR45488		SCROLL BODY P176 PP	1,00			--
0004	LAFN46100		SPACER D. 5.5/8.5-15 L= 9 P176	4,00		06/2002	--
0005	VEVR45443		MOTOR FAN P176 H 100	1,00			--
0006	LAFN45783		BUSHING D. 30 P176	1,00			--
0007	MPVR45444		SEPARATOR P176 ABS	1,00			--
0008	VTVR45002		BUSHING D. 17-19X19 CPS.	1,00			--
0009	VEVR45487		IMPELLER P176 D.240 43P. PA6	1,00			--
0010	MPVR45489		VENTILATOR COV.P176 ABS	1,00			--
0011	MPVR45445		BUTTERFLY VALVEP176 PP	1,00			--
0012	VTVR20127		CLIP KSM	7,00			--
0013	FGGT36513		JOINT HP 0.25 AACO	1,00			--
0014	PPGS46118		FUEL PUMP DNF BFPC R5L2	1,00			--
0015	RCDS00626		HOSE FITTING 1/4 M D. 5- 7	2,00			--
0016	FSVR00427		CLAMP D. 12 CLIC 66-110	4,00			--
0017	TBCO06945		L.P. HOSE D. 6-12 10BAR	2,20			--
0018	FSVR11197		CLAMP D.I. 11 13315	2,00			--
0019	FTCO34840		FUEL FILTER FB 1	1,00			--
0020	RCDS46087		SUCTION L=400 CPL	1,00			--
0021	RCDS46247		SUCTION L=190 CPL	1,00	01/2002		--
0022	RCVR14014		BI-CONE CONNEC.DTT 1/8"M B1 D. 2/ 4 NIK	1,00			--
0023	TBCO46140		DIESEL HOSE P176 30MT D. 4	1,00			--
0024	MECB46130		CABLE DLT L=1100	1,00			--



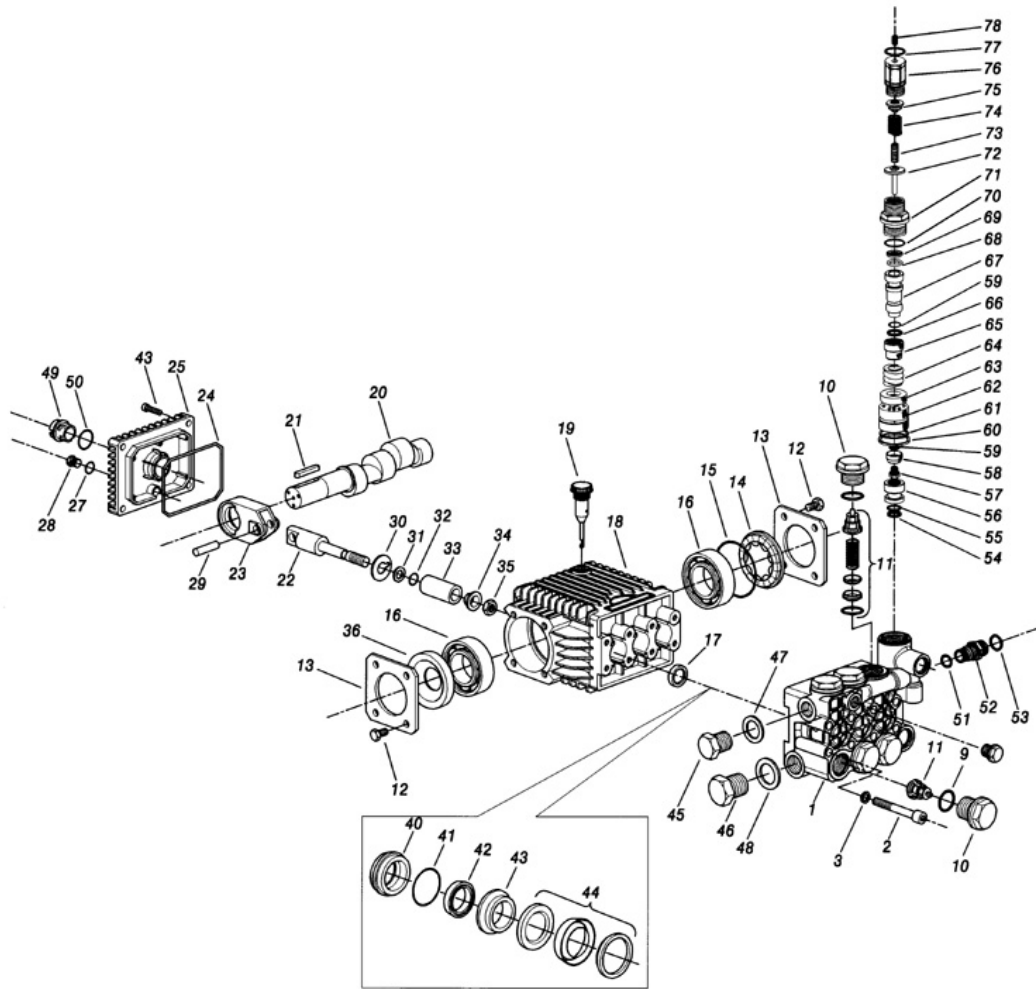
Ref.	K	Part N.	Customer Part N.	Description	Qty	Validity: From	To	Price
K		METT41888		CONTACT SIE N.A. 3RH19 21-1EA11	1,00	12/2003		--
K		METT45022		CONTACTOR SIE 3RT 1025 1AC20 24V	1,00			--
EC		MECE44178		PCB P176 T-ST/MP/LIV. 24V	1,00			--
EV		MEBE43704		COIL DNF 24-50	1,00			--
F1		MEVR00237		FUSE 5X20 3,15A	1,00		11/2002	--
F1		MEVR47933		FUSE 5X20 0,25A	1,00	11/2002	12/2003	--
F2		MEVR02824		FUSE 5X20 1A	1,00		12/2003	--
G2		MECI46804		SENSOR LEVEL S1.PML.M16 +KIT GU/DA-FST	1,00	01/2004		--
IG		MECI40544		COMMUTAT.SWITCH0-1-2 HD12H022-R000	1,00			--
LC		MECE46139		FILTER FC RFI 475V	1,00			--
P1		MEPF39901		PRESSURE SWITCHMTM 1/4M NA/NC 15B. MICRO	1,00			--
P2		MEPF39902		PRESSURE SWITCHMTM 1/4M NA/NC 25B. MICRO	1,00			--
PA		MEPD45940		DESCALING PUMP NME 1 24V 50/60HZ	1,00			--
RT		METT45026		THERMAL RELAY SIE 3RU1126-4AB0 11-16 A	1,00			--
TA		METR34464		TRANSFORMER 230V-50HZ 2X4000V SP4 CM	1,00			--
TH		METK19354		THERMOSTAT 0-150° L=1200	1,00			--
TR		METR11977		TRANSFORMER 35VA 230-400/24 50/60HZ	1,00			--
TS		METK34839		THERMOSTAT 50°C TR/711-N C.1.5	1,00			--
CV1		MECB10518		CABLE H07 RNF 4X1.5 L=6.500	1,00		05/2002	--
CV1		MECB17414		CABLE H07 RNF 4X2.5 L=6.500	1,00	05/2002		--
F1,2		MEVR07043		FUSE 5X20 2A T	2,00	12/2003		--
G1,3		MECI49945		SENSOR LEVEL S1.PML.15NO-FST +G.1/2	2,00	01/2004		--
G123		MECI46015		SENSOR LEVEL S1.PML.M16 +KIT GU/DA	2,00		04/2002	--
G123		MECI46804		SENSOR LEVEL S1.PML.M16 +KIT GU/DA-FST	2,00	04/2002	01/2004	--



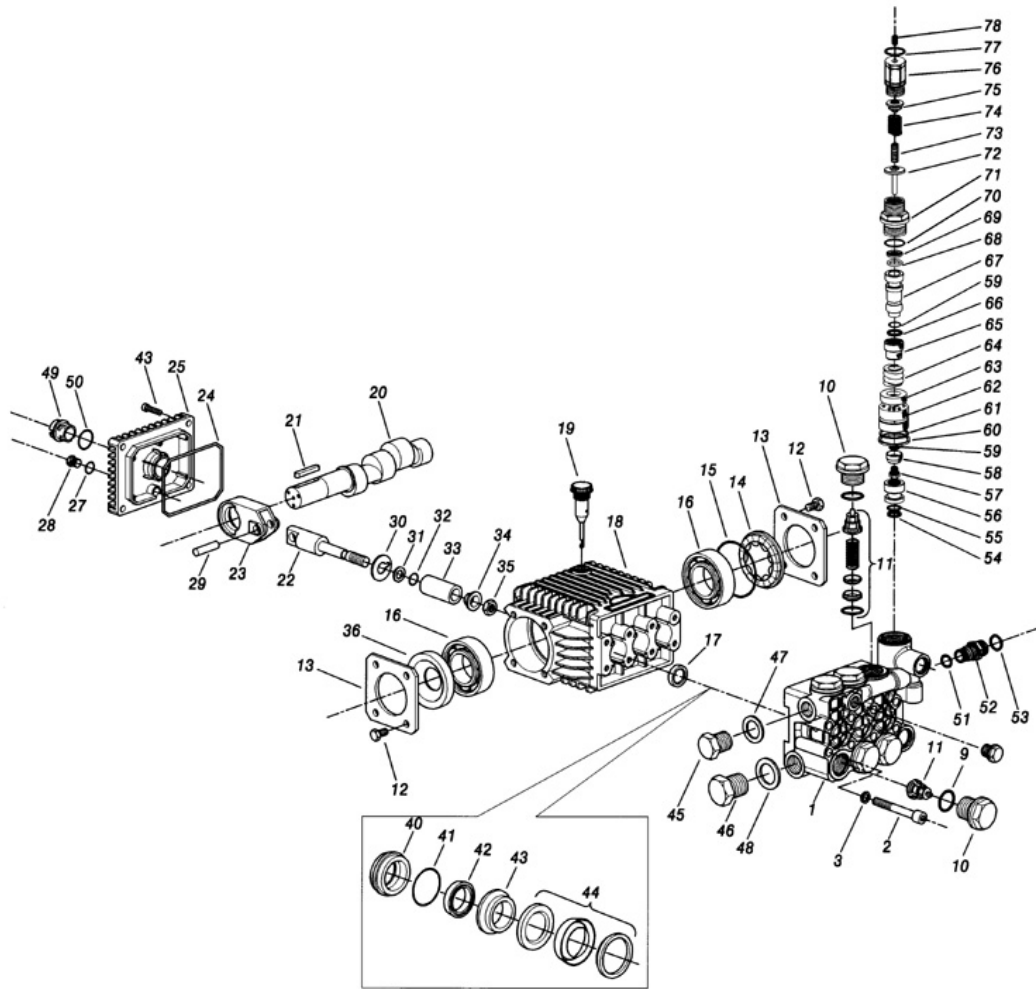
Ref. K	Part N.	Customer Part N.	Description	Qty	Validity:		Price
					From	To	
0001	MPVR46562		SHELL G 4500	1,00			--
0002	MPVR46563		COVER G 4500	1,00			--
0003	PVVR46564		GUN BODY G 4500 G1/4 OT.	1,00			--
0004	MPVR46565		TRIGGER G 4500	1,00			--
0005	PVVR46566		SMALL PISTON G 4500 CPL.	1,00			--
0006	PVVR46567		PISTON GUIDE G 4500 CPL.	1,00			--
0007	VTVR46568		PLUG G 4500	2,00			--
0008	MPVR46569		PLATE G 4500 RD.	1,00			--
0009	VTVT28553		SCREW TCB-TC 3.5X16	11,00			--
0010	PVVR37732		TUBE G 1/4" M/M L.139	1,00			--
0011	RCIN03752		MALE COUPLING 1/4FA	1,00			--
0012	MPVR46570		PROTECTION P 330 ST	1,00			--
0013	PVVR13440		SHELL PROTECTI.ST	2,00			--
0015	LCPR46571		TUBE 1/4 L=352 INOX	1,00			--
0016	MPVR46572		SPACER P 330 ST	1,00			--
0017	VTRS04931		WASHER COPPER D.13X19X1.5	1,00			--
0018	PVVR13445		CONNECTION M 22X1,5 L=45	1,00			--
0019	RCVR13030		GUDGEON G 1/4 F L=31.5	1,00			--
0020	GUVR10526		ANTI-EXTR.RING D.13.9X10.2 C.BZ	1,00			--
0021	GUGO10525		O-RING D. 9.3 X 2.4 NBR 70SH	1,00			--



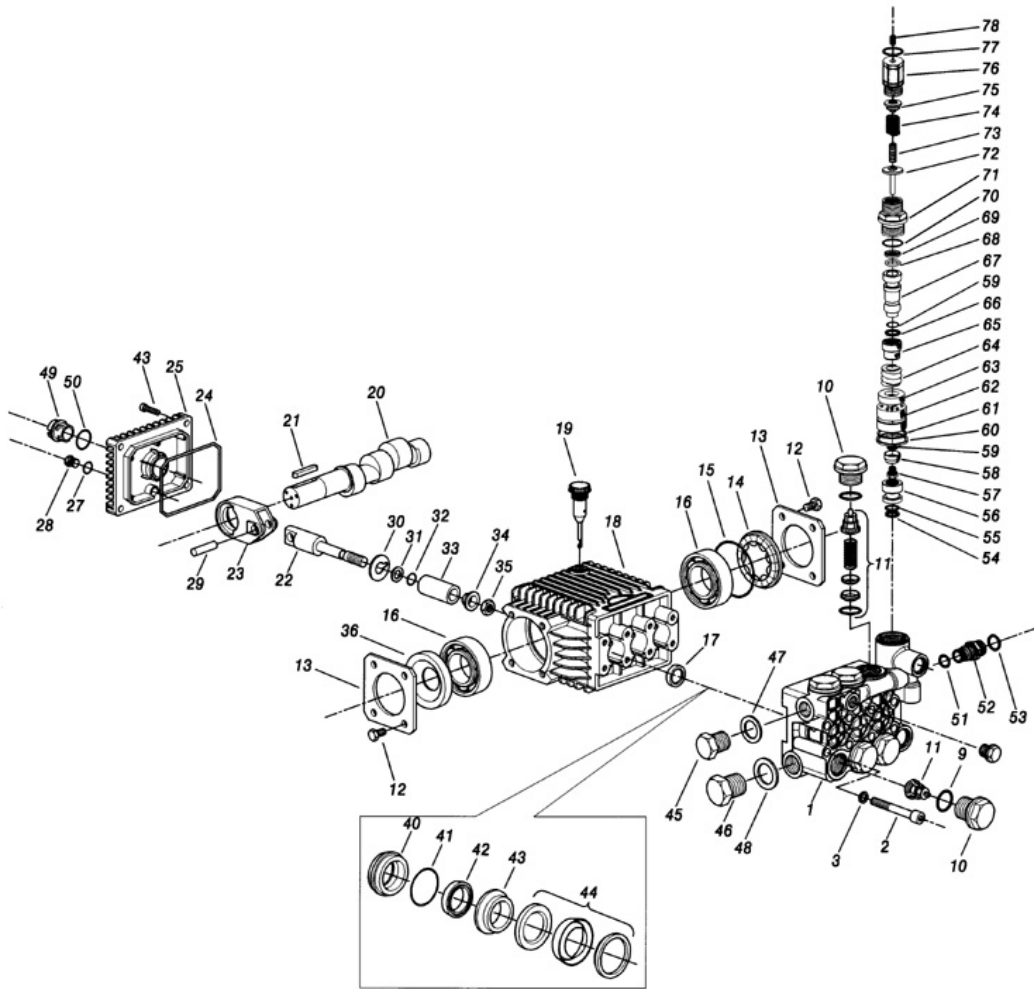
Ref. K	Part N.	Customer Part N.	Description	Qty	Validity:		Price
					From	To	
0001	PVVR45296		COUPLING G 1/4M -M22 M	1,00			--
0002	MPVR45214		PROTECTION TB.1/4 MTM	1,00			--
0003	RCGR45737		TAP 1/4 F LD MTM	1,00			--
0004	LCPR45740		TUBE 1/8 L=660 INOX MTM	2,00			--
0005	MPVR45001		SHELL LD MTM	1,00			--
0006	RCVR45741		NOZZLE HOLDER 1/4-1/8 F MTM	2,00			--
0007	PVVR43810		PROTECTION L.D. MTM	1,00			--



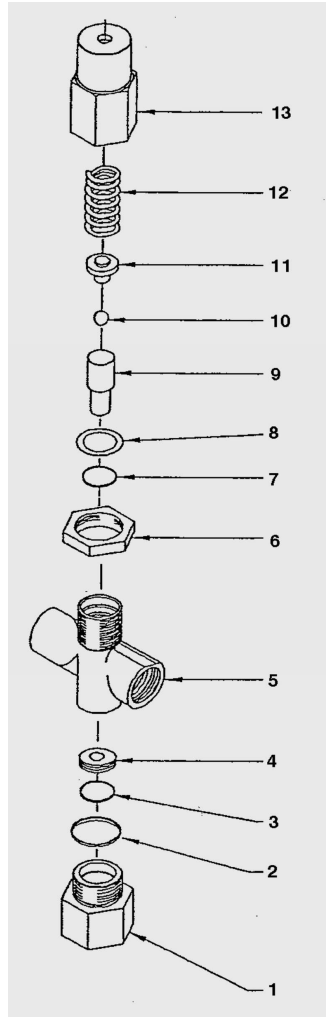
Ref.	K	Part N.	Customer Part N.	Description	Qty	Validity: From To	Price
0001		MFVR46813		HEAD "63" D.18 V.INT.TS OT	1,00		--
0002		VTVT46018		SCREW TCEI M 8X 65 UNI 5931 TRP	8,00		--
0003		VTRS14242		WASHER D. 8.4X13X0.8 UNI7064 SCH	8,00		--
0009	S	GUGO19395		O-RING D. 20.24 X 2.62 NBR 70SH	6,00		--
0010	S	RCDS28466		CAP M24X1.5X17 "44"	6,00		--
0011	S	VVAM28467		VALVE UNIT "44" WW136-186	6,00		--
0012		VTVT01109		SCREW TE M 6X 10 ZC. UNI 5739	8,00		--
0013		MFVR03562		CRANKASE COVER W 70	2,00		--
0014		MFVR28454		SPACER "44"	1,00		--
0015		GUGO01040		O-RING D. 55.56 X 3.53 NBR 70SH	1,00		--
0016		CUVR09654		BALL BEARING 6305	2,00		--
0017	S	GUGO46019		OIL SEAL 18X 26X 6 -L.CM -NBR70SH	3,00		--
0018		MFVR46020		PUMP CRANKCASE "63"	1,00		--
0019		PVVR01089		OIL DIPSTICK W 70	1,00		--
0020		ALMO46021		SHAFT "63" N C.12 D.24	1,00		--
0021		VTVR45821		KEY 8X 7X22 UNI 6604	1,00		--
0022		PVVR46022		PISTON GUIDE "63"	3,00		--
0023		BLVR46023		CONNECTING ROD "63"	3,00		--
0024		GUGO18695		O-RING D. 101.27 X 2.62 NBR 70SH	1,00		--
0025		MFVR46024		CRANKASE COVER "63"	1,00		--
0026		VTVT01114		SCREW TCEI 6X14 UNI 5931	4,00		--
0027		GUGO01036		O-RING D. 10.82 X 1.78 NBR 70SH	1,00		--
0028		RCDS01088		CAP 1/4X 9 M WW90	2,00		--
0029		PVVR46025		GUDGEON D. 9X27,5 "63"	3,00		--
0030		VTRS46026		WASHER D. 9X25X0,5 "63"	3,00		--
0031		GUVR10257		ANTI-EXTR.RING WW161	3,00		--
0032		GUGO10464		O-RING D. 5.28 X 1.78 NBR 70SH	3,00		--
0033		PIVR28455		PISTON D.18 "44"	3,00		--
0034		VTRS46027		WASHER D. 8 C/CLL.	3,00		--
0035		VTDD04284		NUT M8X1,25 X13X5 S2 INX	3,00		--
0036		GUGO28465		OIL SEAL 25X 62X10 NBR70	1,00		--
0040	S	PVVR46028		PACKING RETAIN.D. 18 "63"	3,00		--
0041	S	GUGO01263		O-RING D. 28.30 X 1.78 NBR 70SH	3,00		--
0042	S	GUVR46029		PACKING D. 18 L.P. "63"	3,00		--
0043	S	PVVR46030		INTERMED. RING D. 18 "63"	3,00		--
0044	S	GUVR46031		PACKING D. 18 H.P. "63"	3,00		--
0045		RCDS01090		CAP 3/8X13 M WW90	1,00		--
0046		RCDS01091		CAP 1/2X10 M	1,00		--
0047		VTRS01074		WASHER D.17,05X22,3 X1,5	1,00		--



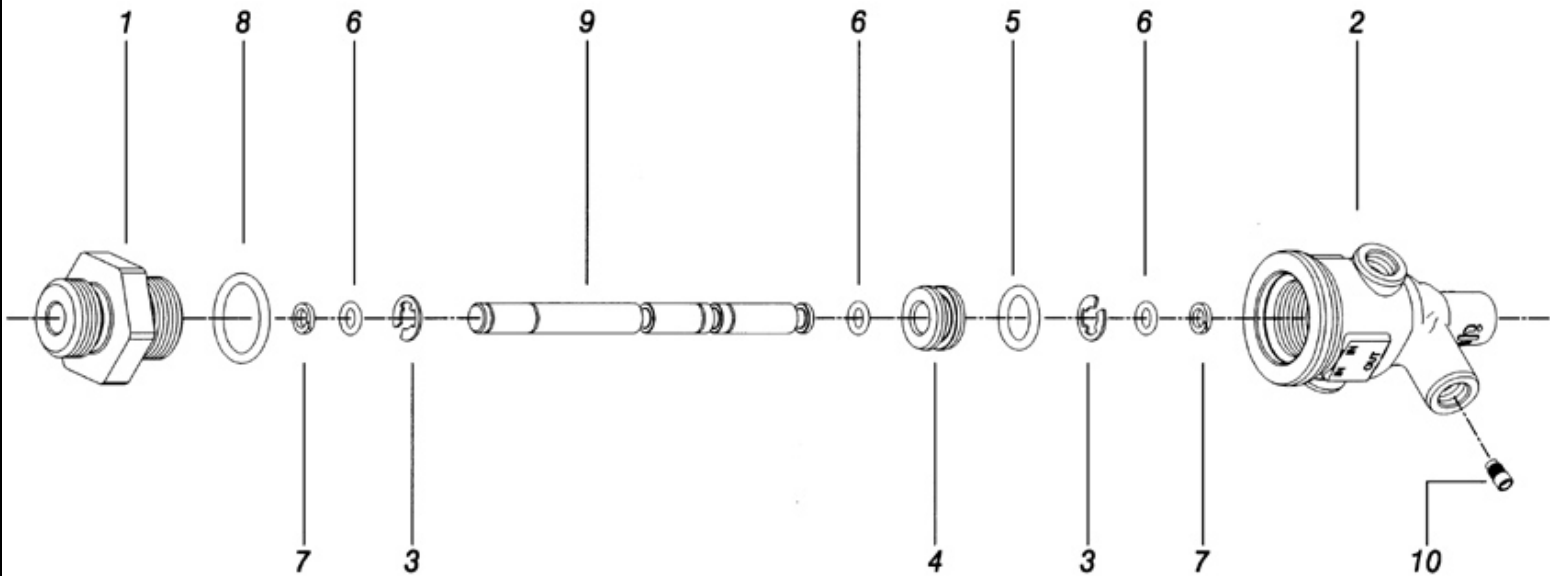
Ref.	K	Part N.	Customer Part N.	Description	Qty	Validity:		Price
						From	To	
0048		VTRS01075		WASHER D.21,5X27 ALL	1,00			--
0049		PVVR46032		OIL INDICATOR S."63"	1,00			--
0050		GUGO01044		O-RING D. 26.58 X 3.53 NBR 70SH	1,00			--
0051		GUGO19194		O-RING D. 11.11 X 1.78 NBR 70SH	1,00			--
0052		PVVR46785		CONNECTOR TS "63" VALV.H	1,00			--
0053		GUGO09720		O-RING D. 14 X 1.78 NBR 70SH	1,00			--
0054	S	GUVR11651		ANTI-EXTR.RING D. 10.6X15X2	1,00			--
0055	S	GUGO03501		O-RING D. 9.92 X 2.62 VIT 70SH	1,00			--
0056	S	PVVR12887		VALVE SEAT CONTROL SET W1	1,00			--
0057	S	VTVT18667		SCREW M 5X0,8X7,5	1,00			--
0058	S	PVVR18668		VALVE CLT	1,00			--
0059	S	GUGO03497		O-RING D. 6.75 X 1.78 VIT 80SH	2,00			--
0060	S	GUVR28469		ANTI-EXTR.RING D.22 X25X1,5	1,00			--
0061	S	GUGO08182		O-RING D. 21.91 X 1.78 NBR 70SH	1,00			--
0062	S	PVVR28470		VALVE GUIDE "44"	1,00			--
0063	S	PVVR28471		VALVE "44"	1,00			--
0064	S	MLML28472		SPRING D. 18.5 X11 "44"	1,00			--
0065	S	PVVR28473		SPACER "44"	1,00			--
0066	S	GUVR04309		ANTI-EXTR.RING HM	1,00			--
0067	S	PVVR28474		CONTROL PISTON "44"	1,00			--
0068	S	GUGO01946		O-RING D. 9.13 X 2.62 VIT 70SH	1,00			--
0069	S	GUVR01940		ANTI-EXTR.RING D. 9,5X14X1,5	1,00			--
0070		GUGO01037		O-RING D. 23.81 X 2.62 NBR 70SH	1,00			--
0071		PVVR28475		BUSHING "44"	1,00			--
0072		PVVR28476		SPRING PLATE "44" INF.	1,00			--
0073		MLML28477		SPRING D. 7.6 X29 "44"	1,00			--
0074		MLML11655		SPRING D.15X35	1,00			--
0075		PVVR11656		SPRING PLATE W1	1,00			--
0076		PVVR18672		REGISTER COLT	1,00			--
0077		GUGO01057		O-RING D. 20.35 X 1.78 NBR 70SH	1,00			--
0078		VTVT20196		SCREW EI-ST 8X20 UNI5923	1,00			--



Ref. Part N.	Cust. Part N.	Description	Reference	Price
KTRI28508	KIT P	15-123	0011	--
KTRI28510	KIT P	15-124	0009 0010	--
KTRI28526	KIT P	137	0054 0055 0056 0057 0058 0059 0060 0061 0062 0063 0064 0065 0066 0067 0068 0069	--
KTRI46033	KIT P	15-159	0017	--
KTRI46034	KIT P	15-161	0042 0044	--
KTRI46035	KIT P	15-163	0040	--
KTRI46036	KIT P	15-165	0043	--
KTRI46037	KIT P	15-167	0040 0041 0042 0043 0044	--



Ref. K	Part N.	Customer Part N.	Description	Qty	Validity:		Price
					From	To	
0001	RCVR61105		CONNECTOR VS 220	1,00			--
0002	GUGO03505		O-RING D. 15.6 X 1.78 NBR 70SH	1,00			--
0003	GUGO10800		O-RING D. 10 X 1 NBR 70SH	1,00			--
0004	PVVR61091		VALVE SEAT 4,5X12X4 MM	1,00			--
0005	PVVR61073		VALVE BODY VS 220	1,00			--
0007	GUGO63424		O-RING D. 7.66	1,00			--
0009	PVVR33551		PISTON PA	1,00			--
0010	SFVR61110		BALL VS 220	1,00			--
0011	PVVR61099		SUPPORT VS 220	1,00			--
0012	MLML33552		SPRING D. 4,2 220BAR	1,00			--
0012	MLML61052		SPRING 170 B. VS 220	1,00			--
0013	PVVR61080		SLEEVE VS 220	1,00			--



Ref. K	Part N.	Customer Part N.	Description	Qty	Validity:		Price
					From	To	
0001	PVVR45704		VALVE G.BUSHINGP176 OT	1,00			--
0002	RCDS44869		VALVE BODY P176 OT58	1,00			--
0003	VTAE45707		CIRCLIP D. 6 UNI 7434 INOX	2,00			--
0004	PVVR45705		SMALL PISTON P176 OT.	1,00			--
0005	GUGO01047		O-RING D. 11.91 X 2.62 NBR 70SH	1,00			--
0006	GUGO10464		O-RING D. 5.28 X 1.78 NBR 70SH	3,00			--
0007	GUVR46821		ANTI-EXTR.RING D. 5.1X 8.1X1.5 PTFE	2,00			--
0008	GUGO01056		O-RING D. 18.72 X 2.62 NBR 70SH	1,00			--
0009	PVVR45706		PUSH ROD P176 INX	1,00			--
0010	UGLN17027		NOZZLE CD.135 BL	1,00			--