



IPC

Spare parts list

Ref: ASDO07474

Cust.ref:

Model: VAC.CLEAN.KOALA 433 TIPP.W/ACC.

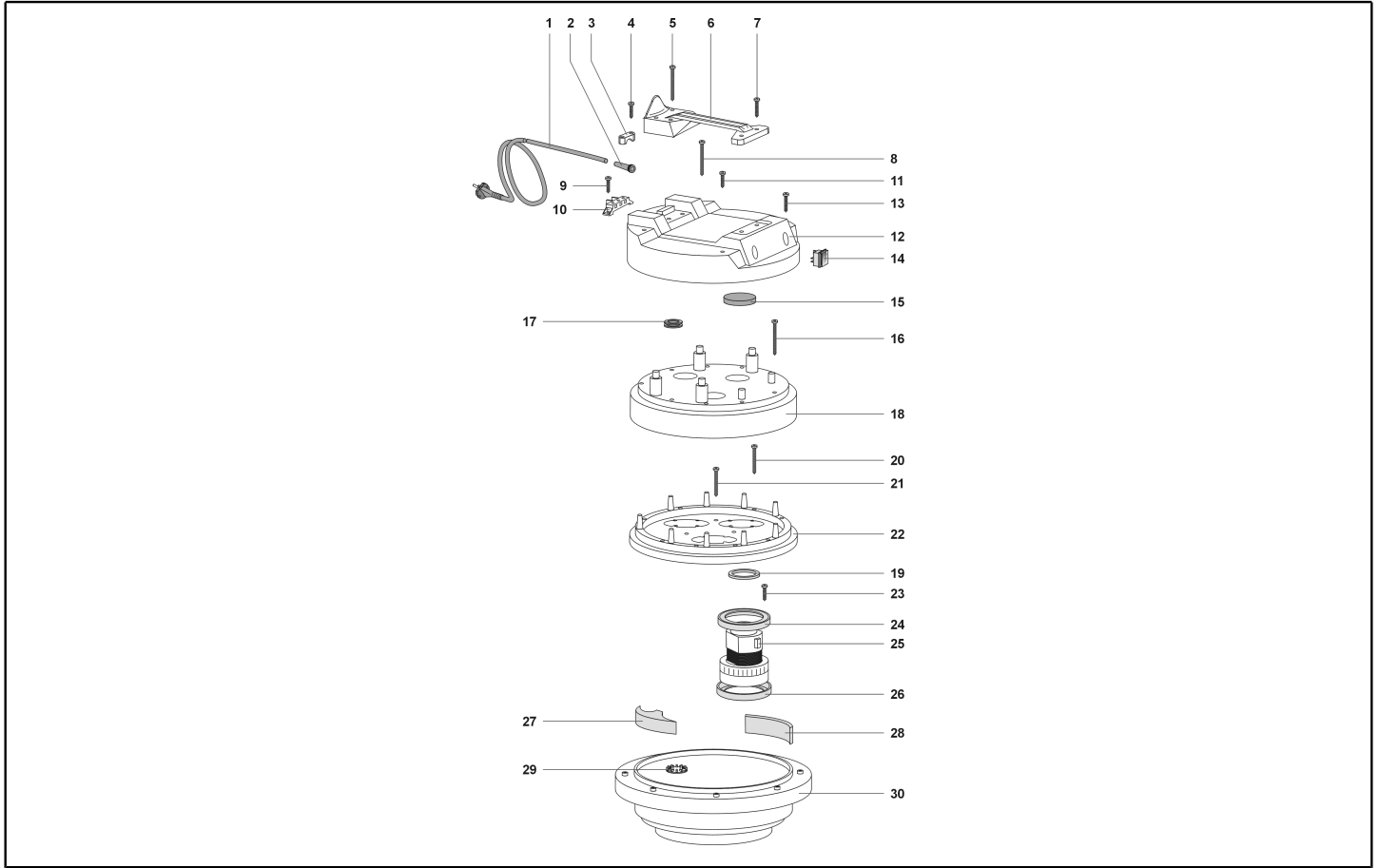
Cust.model: FOMA 131740



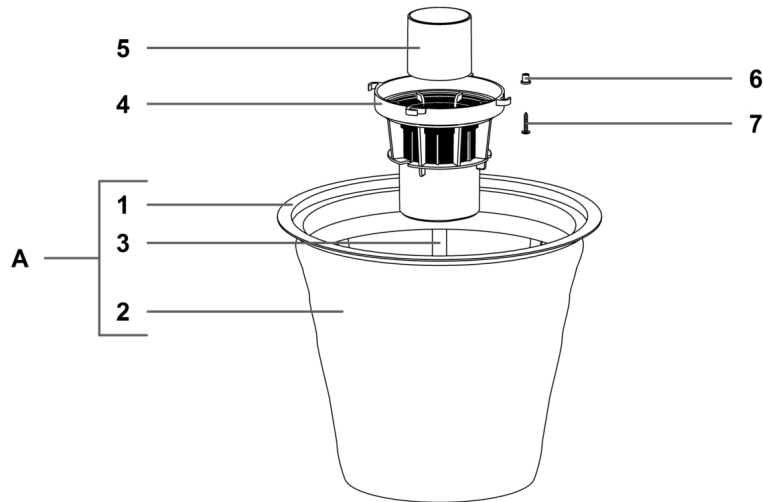
IPC Integrated Professional Cleaning

IPC Soteco

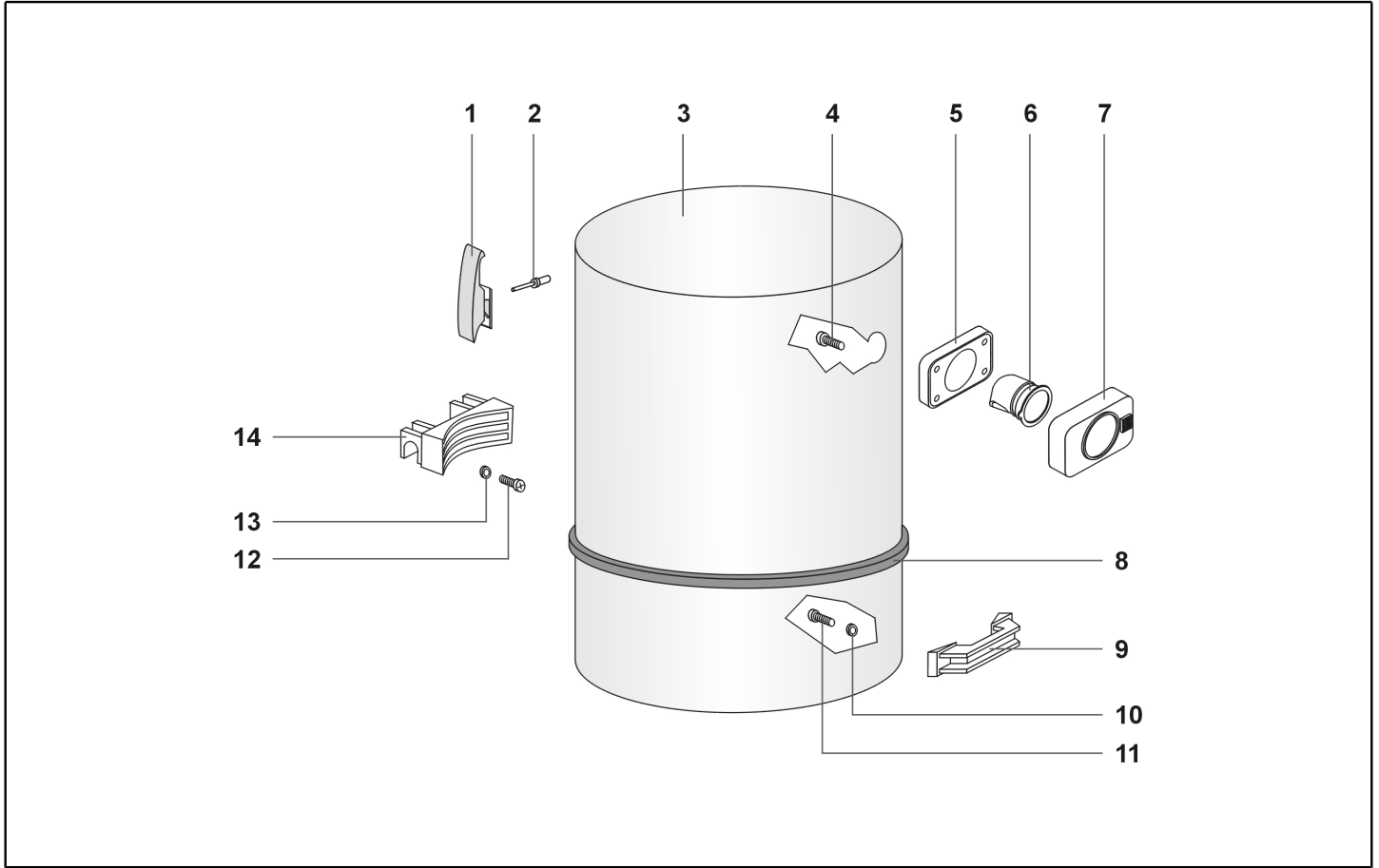
Ref. K	Part n.	Part n. 2	Description	Quantity	Validity		Price
					From	To	
0001	PMTA07769		HEAD KOALA 433 (FOMA NORGE)	1,00			--
0002	KTRI72229		COMPL.FILTRATION KIT 400	1,00			--
0003	PMFU01515		TANK 400 EUR/B D60 G6/G6GRE/VE	1,00			--
0004	MPVR44895		TROLLEY OMPL.TIPP.TROLLEY EUROPA	1,00			--



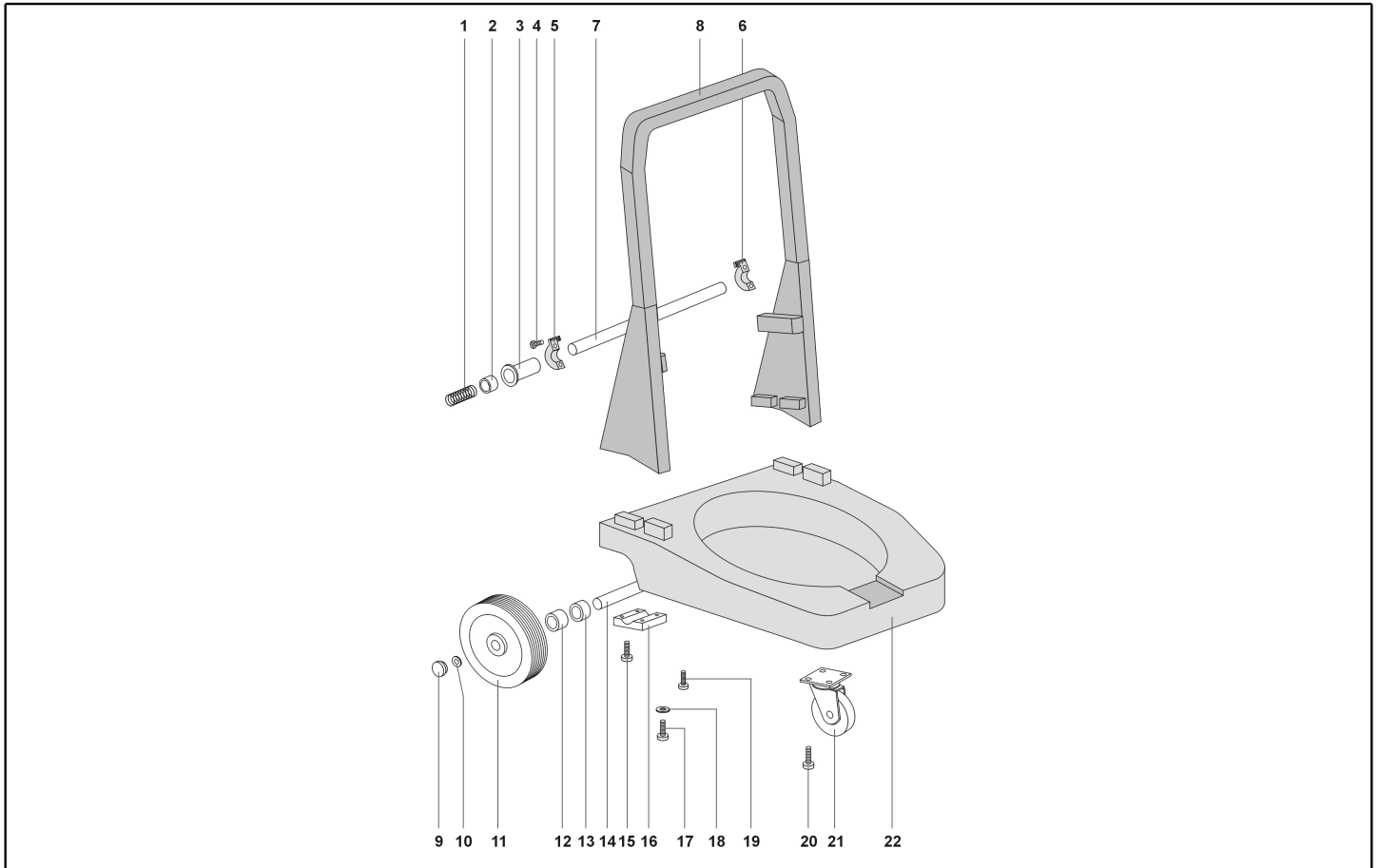
Ref. K	Part n.	Part n. 2	Description	Quantity	Validity		Price
					From	To	
*	MECB01831		ELECTR.KIT 50CM POKE-IN MOT TP 1200	3,00			--
*	FSVR00127		CLAMP	4,00			--
0001	MECB31445		ELECTRIC CORD 2X1,5 MT.8,5	1,00			--
0002	MEVR28673		FAIRLEAD	1,00			--
0003	MPVR28690		CABLE CLAMP	1,00			--
0004	VTVT71961		SCREW PFU TMT PHL 5X20 ZN NERA	2,00			--
0005	VTVT32295		SCREW PAT TMT PHL 5X50	4,00			--
0006	MPVR10069		HANDLE PANDA 600 GREEN IPC	1,00			--
0007	VTVT72055		SCREW PFU TMT PHL 5X25 ZN BLACK	2,00			--
0008	VTVT32295		SCREW PAT TMT PHL 5X50	2,00			--
0009	VTVT71960		SCREW SCREW PAT TMT PHL 5X14 ZN	2,00			--
0010	MEVR02008		TERM.BOARD 400-600 3MOT.RAD	1,00			--
0011	VTVT71961		SCREW PFU TMT PHL 5X20 ZN NERA	2,00			--
0012	PMVR05964		GREY COVER PANDA 600 3M	1,00			--
0013	VTVT72055		SCREW PFU TMT PHL 5X25 ZN BLACK	2,00			--
0014	MECI28744		ANTISPLASH RED LIGHT SWITCHER	3,00			--
0015	FTDP38064		FILTER MTP/65 H=15 D.95	3,00			--
0016	VTVT40007		SCREW PAT TMT PHL 5X55 BLACK	9,00			--
0017	MEVR72017		GUIDING SLIT FOR QUICK COUPLING	1,00			--
0018	MPVR08519		COVERING 600 GREEN IPC	1,00			--
0019	MPVR38371		WASHER H8 D85X65	3,00			--
0020	VTVT72106		SCREW PAT TMT PHL 5X40 BLACK	9,00			--
0021	VTVT72106		SCREW PAT TMT PHL 5X40 BLACK	3,00			--
0022	MPVR09336		MOTOR SUPPORT NEV. 600 GREY 6000	1,00			--
0023	VTVT71961		SCREW PFU TMT PHL 5X20 ZN NERA	12,00			--
0024	GUGO28683		"L" GASKET W/O HOLES H=5,5	3,00			--
0025	MOMO00624		MOTOR BD382 1200W 220-240 50/60	3,00			--
0026	GUGO28683		"L" GASKET W/O HOLES H=5,5	3,00			--
0027	FTDP38057		ANTINOISE TRIANGLE H=51	3,00			--
0028	FTDP28745		GASKET MTP/30 AU-AD 50X10X85	3,00			--
0029	MPVR28748		AUTOMATIC VALVE	3,00			--
0030	PMBA00608		BASE 600/400 G6 COMP	1,00			--



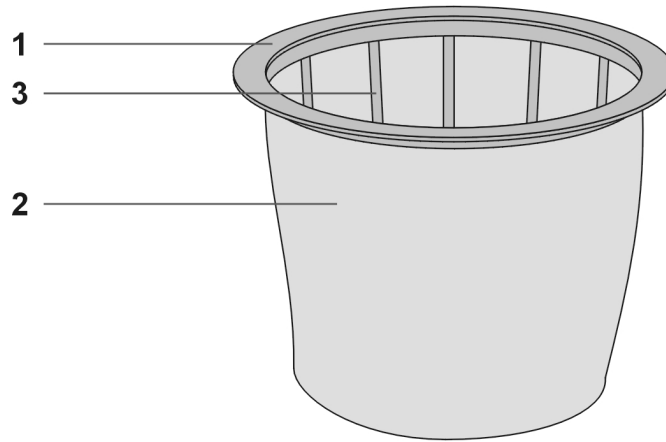
Ref. K	Part n.	Part n. 2	Description	Quantity	Validity		Price
					From	To	
A	FTDP28733		KIT RING+FILT+BASK.400 CONIC.SAN	1,00			--
0001	MPVR35807		FILTER RING 400	1,00			--
0002	FTDP00523		FILTER POLY AN4-600 CON REG H320	1,00			--
0003	MPVR09199		CONICAL BASKET 400	1,00			--
0004	MPVR40521		NET ANTIFOAM BODY HIGH	1,00			--
0005	RCGR40008		HIGH FLOAT 99 W/GASKET 37 SHA	1,00			--
0006	MPVR35796		BUSHING PLASTIC SLEEVE D.8	4,00			--
0007	VTVT36751		SCREW SCREW PAT TMT PHL 5X25	4,00			--



Ref. K	Part n.	Part n. 2	Description	Quantity	Validity		Price
					From	To	
0001	PMVR02871		PLASTIC HOOK COMPL. GR6000	2,00			--
0002	VTVR00340		RIVET 5X24,5	4,00			--
0003	PMVR05677		GREY DRUM EUROPA 400 BASC.	1,00			--
0004	VTVT71966		SCREW PAT TMT PHL 5X30 BLACK	4,00			--
0005	MPVR08681		GASKET R 205 GREY 6000	1,00			--
0006	MPVR42004		DEFLECTOR 99/60	1,00			--
0007	MPVR09176		PIPE UNION 99/60 PLANE G6/GREE-IPC	1,00			--
0008	MPVR09725		SHOCKPROOF BAND 400 GREEN IPC	1,00			--
0009	MPVR09429		HANDLE GREY 6000	1,00			--
0010	VTRS00421		RUBBER WASHER D.13,5 H=5	1,00			--
0011	VTVT71966		SCREW PAT TMT PHL 5X30 BLACK	2,00			--
0012	VTVT71966		SCREW PAT TMT PHL 5X30 BLACK	4,00			--
0013	GUVR76690		COMPLETE SEAL	4,00			--
0014	CEVR00053		HINGE PLASTIC TANK 400/S	1,00			--



Ref. K	Part n.	Part n. 2	Description	Quantity	Validity		Price
					From	To	
0001	MLML00371		SPRING PLASTIC DRUM 400 PLASTIC	2,00			--
0002	MPVR06595		WHEEL SPACER MARK.PLAST.	2,00			--
0003	MPVR06378		HINGE PIN 400 PLASTIC	2,00			--
0004	VTVT72207		SCREW PAT TMT PHL 5X25 BLACK	4,00			--
0005	MPVR09684		TUBE BLOCK RIGHT	1,00			--
0006	MPVR09685		TUBE BLOCK LEFT	1,00			--
0007	LAFN08318		UP-AND-OVER PIN DIA.18X465 SP.1,5 ZN.	1,00			--
0008	MPVR11953		HANDLE PLASTICA EUROPA NERO	1,00			--
0009	MPVR85070		WHEEL CAP D.200/250 BLACK	2,00			--
0010	MPVR86321		BLOC. D.18	2,00			--
0011	RTRT85069		REAR WHEEL D.200	2,00			--
0012	MPVR06595		WHEEL SPACER MARK.PLAST.	2,00			--
0013	MPVR28773		SPACER BUSH	2,00			--
0014	LAFN08319		WHEEL PIN D.18X505 SP.1,5 ZN.	1,00			--
0015	VTVT71966		SCREW PAT TMT PHL 5X30 BLACK	8,00			--
0016	MPVR28774		LOCK PIVOT BRACKET	2,00			--
0017	VTVT71971		SCREW PAT TMT PHL 5X35 BLACK	2,00			--
0018	VTRS72158		PLAST.WASHER	6,00			--
0019	VTVT72106		SCREW PAT TMT PHL 5X40 BLACK	12,00			--
0020	VTVT01193		SCREW PAT TMT PHL 5X15 ZN BLACK	8,00			--
0021	RTRT28775		FLANGED WHEEL D.80	2,00			--
0022	MPVR10651		TROLLEY BODY BODY TIPP.TROLLEY EUROPA	1,00			--



Ref. K	Part n.	Part n. 2	Description	Quantity	Validity		Price
					From	To	
0001	MPVR35807		FILTER RING 400	1,00			--
0002	FTDP00523		FILTER POLY AN4-600 CON REG H320	1,00			--
0003	MPVR09199		CONICAL BASKET 400	1,00			--



Ref. K	Part n.	Part n. 2	Description	Quantity	Validity		Price
					From	To	
0001	VTVT36751		SCREW SCREW PAT TMT PHL 5X25	1,00			--
0001	VTVT36751		SCREW SCREW PAT TMT PHL 5X25	1,00			--