

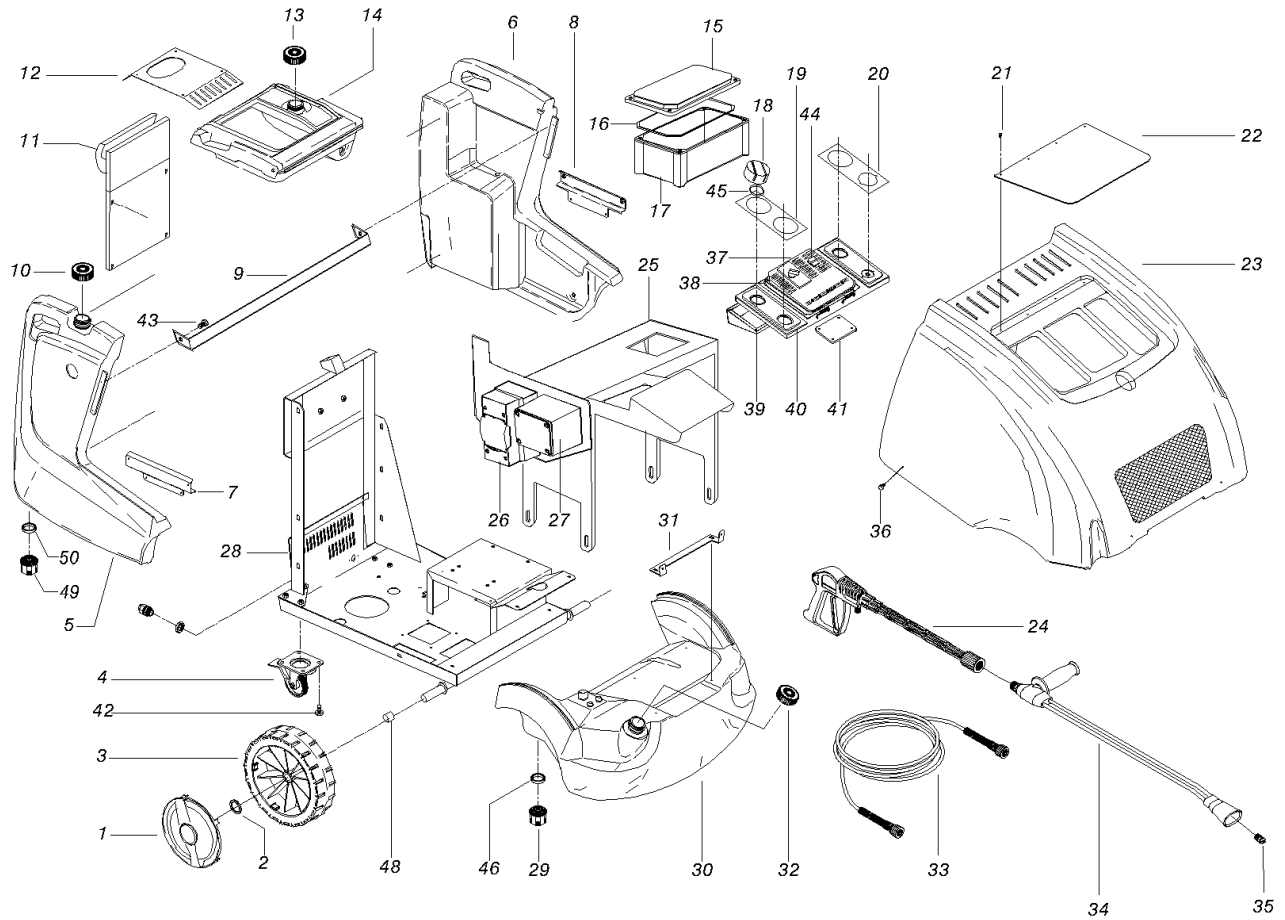


# **Spare Parts List**

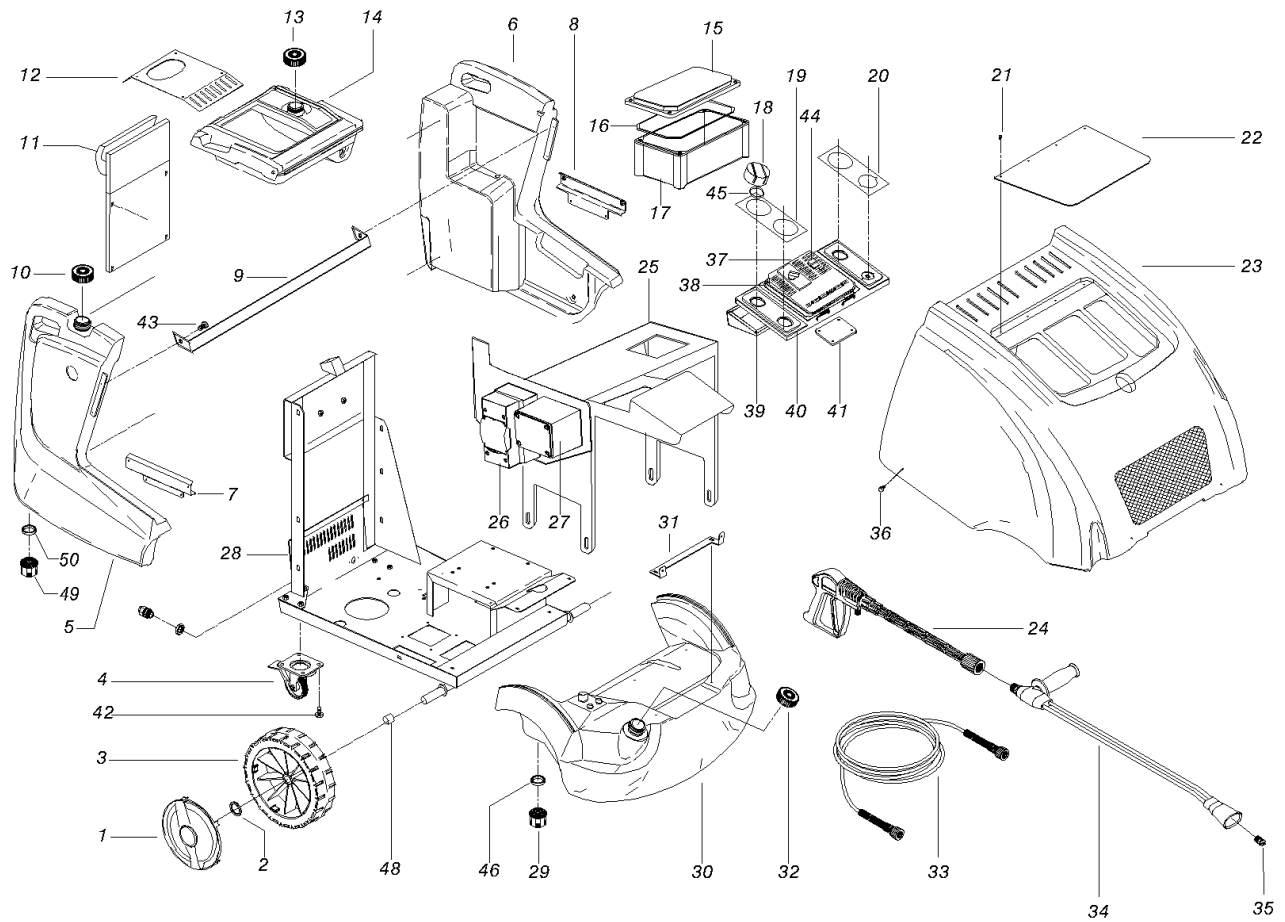
**FOMA NORGE AS**

**Ref: IDAC85732**

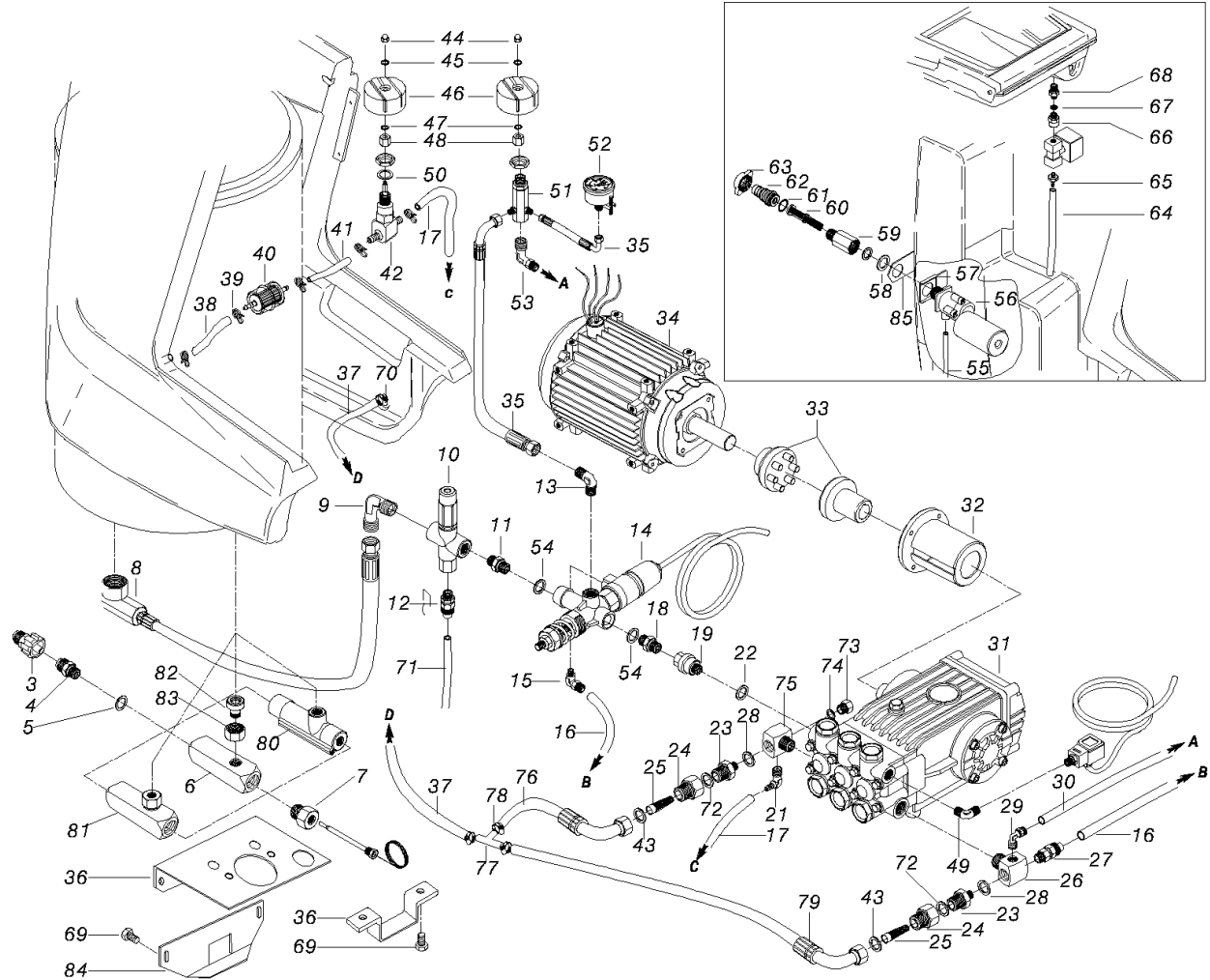
**Model: IDROP ADM2021TSI 21.200 T 230/50 3-01FOM**



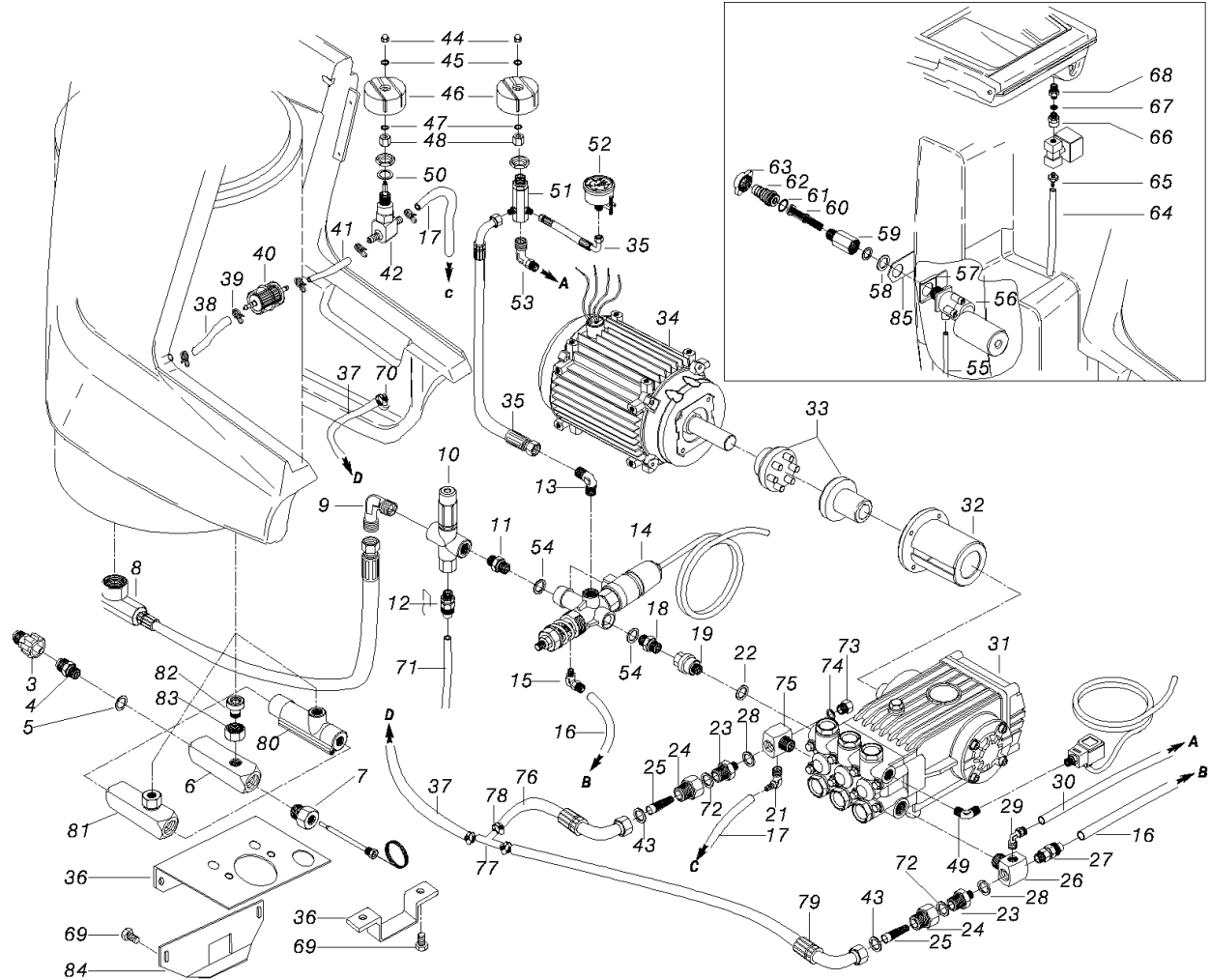
Ref. K	Part N.	Customer Part N.	Description	Qty	Validity:		Price
					From	To	
0001	MPVR45391		RED WHEEL COVER. 305 RT-SIR	2,00	01/2003		--
0001	MPVR85706		RED WHEEL COVER. 300	2,00		01/2003	--
0002	VTRS09813		WASHER D.25	2,00			--
0003	RTRT45383		WHEEL D.305-D.25 RT-IPC	2,00	01/2003		--
0004	RTRT73159		TURNING WHEEL D.140	2,00			--
0005	MPVR85023		TANK P105 PEHD	1,00		02/2005	--
0005	MPVR88966		TANK P105 C/F.SC. PEHD	1,00	03/2005		--
0006	MPVR85024		WATER TANK ADM	1,00			--
0007	LAFN45458		BRACKET P105 LAT.	1,00	02/2003		--
0008	LAFN45458		BRACKET P105 LAT.	1,00	02/2003		--
0009	LAFN85428		TIE ROD ADM	1,00			--
0010	MPVR40573		TANK CAP MHDS-SK	1,00			--
0011	MPVR85027		BACK PANEL ADM	1,00			--
0012	LAFN85030		COVER ADMIRAL INOX	1,00			--
0013	MPVR40573		TANK CAP MHDS-SK	1,00			--
0014	MPVR85026		TANK P105 PEHD	1,00		02/2005	--
0014	MPVR88967		TANK P105 C/F G.1/2 PEHD	1,00	03/2005		--
0015	MEVR71753		COVER NICO	1,00			--
0016	GUVR71755		GASKET QUADRO EL.SK	1,00			--
0017	MEVR71752		BOX NICO	1,00			--
0018	MPVR40301		THERMOST.KNOB	1,00			--
0019	ETET74300		ADHESIVE	1,00			--
0020	ETET74301		ADHESIVE	1,00			--
0021	MPVR74151		PLUG	4,00			--
0022	MPVR85028		PROTECTION ADMIRAL	1,00			--
0023	MPVR85499		RED COVER ADMIRAL PST	1,00			--
0024	IPPR86137		GRIP ST 2300 - P 330 - M3/8 M	1,00			--
0025	LAFN85137		SUPPORT ADM	1,00			--
0026	MEVR71536		BOX	1,00			--
0027	MEVR71533		BOX 120X80X50	1,00			--
0028	LAFN85139		CHASSIS ADM	1,00			--
0029	RCDS72851		CAP 1/2"F NYL	1,00			--
0030	MPVR48118		FUEL TANK ADM-TSI	1,00		03/2005	--
0030	MPVR88965		FUEL TANK ADM C/F G.1/2	1,00	04/2005		--
0031	LAFN45456		BRACKET P105 ANT.	1,00	02/2003		--
0031	LAFN85424		BRACKET ADM	1,00		02/2003	--
0032	MPVR40573		TANK CAP MHDS-SK	1,00			--
0033	TBAP75154		H.P. HOSE 5/16 R2AT mt.11	1,00			--
0034	LCPR75245		PIN	1,00			--



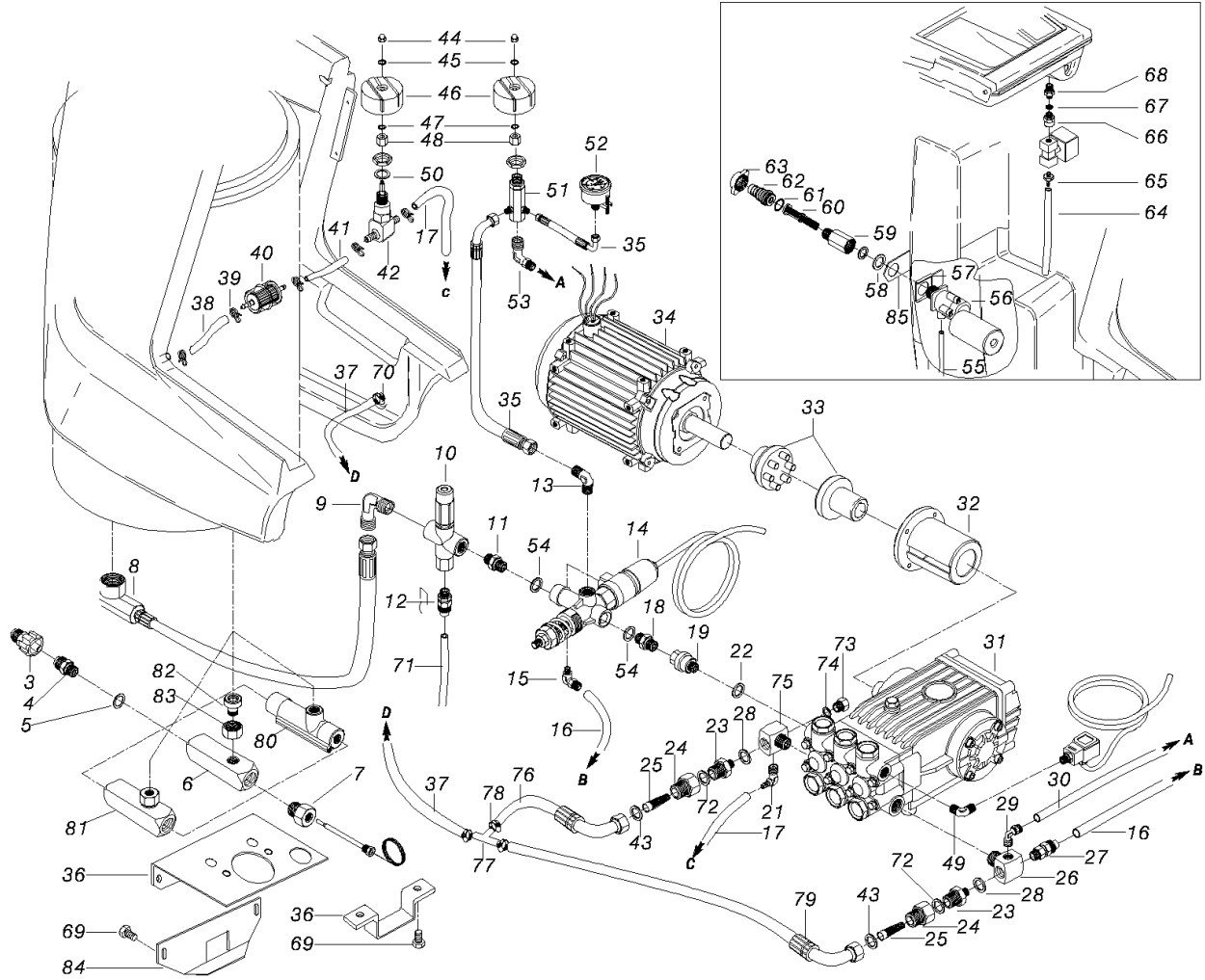
Ref. K	Part N.	Customer Part N.	Description	Qty	Validity:		Price
					From	To	
0035	UGLN02300		NOZZLE 1/4 2506	1,00			--
0036	VTVR85510		HANDWHEEL M 6MAX16 D.22	5,00			--
0037	MPVR85338		BOX COVER ADM	1,00			--
0038	GUVR71766		GASKET MATCH-B.	1,00			--
0039	MEVR71759		COVER	1,00			--
0040	MPVR71756		BOX	1,00			--
0041	GUVR85452		GASKET ADMIRAL	1,00			--
0042	VTVT13797		SCREW TE 8X16 UNI8111 SW.FRM	8,00			--
0043	VTVT21386		SCREW M 6X 20 TSPEI UNI 5933	2,00			--
0044	GUGO72935		GASKET	1,00			--
0045	VTAE74500		CIRCLIP THR.	1,00			--
0046	GUGO45302		GASKET D. 20- 35 X 2.5	1,00	11/2002		--
0048	MPVR29447		SPACER D. 26-30 L=10 PVC	2,00	07/2004		--
0049	PVVR11806		DISCHARGE CAP FLL	1,00	03/2005		--
0050	GUGO11489		GASKET D.22X1,5	1,00	03/2005		--



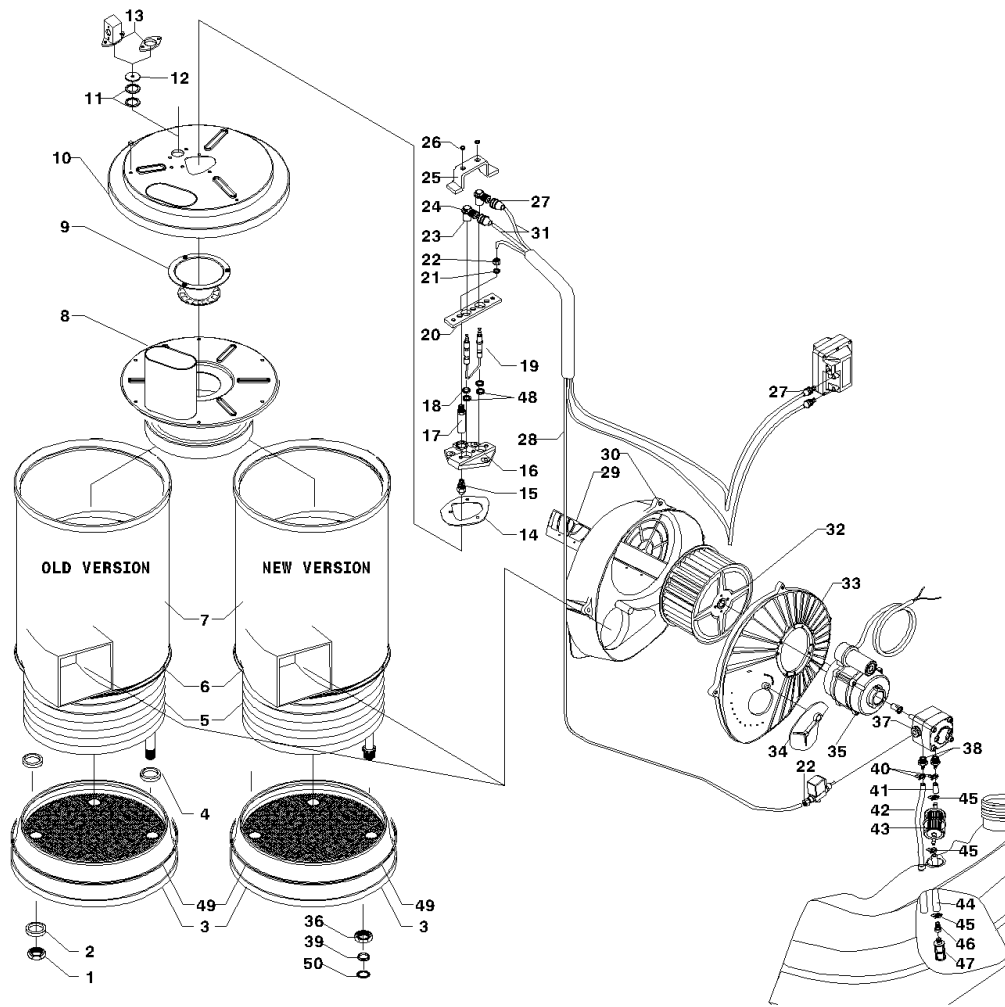
Ref. K	Part N.	Customer Part N.	Description	Qty	Validity: From	To	Price
0003	RCIN72805		SCREW CLUTCH F 3/8 M	1,00			--
0004	RCIN73013		SCREW CLUTCH M 3/8M	1,00			--
0005	VTRS00548		WASHER D.17,5X22X1,5 (3/8)RM	1,00			--
0006	RCDS48603		BLOCK 3VIE 3/8-1/2F 1/4F ZC	1,00	04/2003		--
0007	RCDS76224		BULB HOLDER	1,00			--
0008	TBAP48634		HOSE-FITTING 5/16 R2 L=650 3/8F0°-PM26	1,00	04/2003		--
0008	TBAP72745		H.P. HOSE 5/16 R2AT lg.650	1,00		04/2003	--
0009	RCVR40590		ELBOW 3/8" M A.P. OT.MTM	1,00			--
0010	VVSC40541		VALVE VS 220 2 G3/8 F	1,00			--
0011	RCDS00610		NIPPLE 3/8 - 3/8 SV	1,00			--
0012	RCIN40592		CONNECTOR DTT 3/8" M C1 D. 8/10 NIK	1,00			--
0013	RCVR76217		ELBOW 1/4" M/M A.P. OT.	1,00			--
0014	VVAZ40591		VALVE VB 9 2 3/8F + SWITCH	1,00			--
0015	RCVR72832		CONNECTOR 90° 3/8M	1,00			--
0016	TBBP40594		L.P. HOSE D.10-12 RILSAN	0,45			--
0016	TBFX72721		TUBE D.14 PVC	0,40			--
0017	TBBP85832		L.P. HOSE D. 5- 8	0,36			--
0018	RCDS12121		NIPPLE 3/8 - 3/8 SV/CN	1,00			--
0019	RCVR00563		SWIVEL RACCORD 3/8 M/F	1,00	03/2003		--
0021	RCDS40582		HOSE FITTING "L" 1/4M - D. 6	1,00	03/2003		--
0022	VTRS00548		WASHER D.17,5X22X1,5 (3/8)RM	1,00			--
0023	RCDS72899		NIPPLE	2,00	03/2003		--
0024	RCDS72893		CONNECTOR N.PYRON	2,00	03/2003		--
0025	FTAC09717		FILTER D.15X37	2,00	05/2004		--
0025	FTAC72459		WATER FILTER D.17 H 40	2,00	03/2003	05/2004	--
0026	RCDS72826		CONNECTOR 4V. 1/2G -2X3/8G -1/4G	1,00	03/2003		--
0027	RCIN40593		CONNECTOR DTT 3/8" M C1 D.12/10 NIK	1,00	03/2003		--
0028	VTRS00548		WASHER D.17,5X22X1,5 (3/8)RM	2,00	03/2003		--
0029	RCIN26496		CONNECTOR L 1/4" M C5 D. 6/ 8 NIK	1,00	03/2003		--
0030	TBBP15347		L.P. HOSE D. 6- 8 RILSAN NT.	0,75			--
0030	TBFX72721		TUBE D.14 PVC	0,60			--
0031	PPAP72370		PUMP TS 2021 SX LT 21 -200BAR	1,00	03/2003		--
0033	FGGT71910		FLEX. COUPLING HP10-15 SK21/200 ZG 202S	1,00		03/2003	--
0033	FGGT87320		FLEX. COUPLING IP WS 202 HP12-15(24x38)	1,00	03/2003		--
0034	MOTR71485		3PH MOTOR HP 10 230/400V 50HZ GT.	1,00		03/2003	--
0034	MOTR87319		3PH MOTOR HP 12 230/400V 50HZ GT.	1,00	03/2003		--
0035	TBAP86926		H.P. HOSE 1/4 R2 L=300 0-90° 1/4 F	2,00			--
0036	LAFN73554		BRACKET SK	1,00		09/2004	--
0036	LAFN88493		SUPPORT POR.SK BK.	1,00	09/2004		--



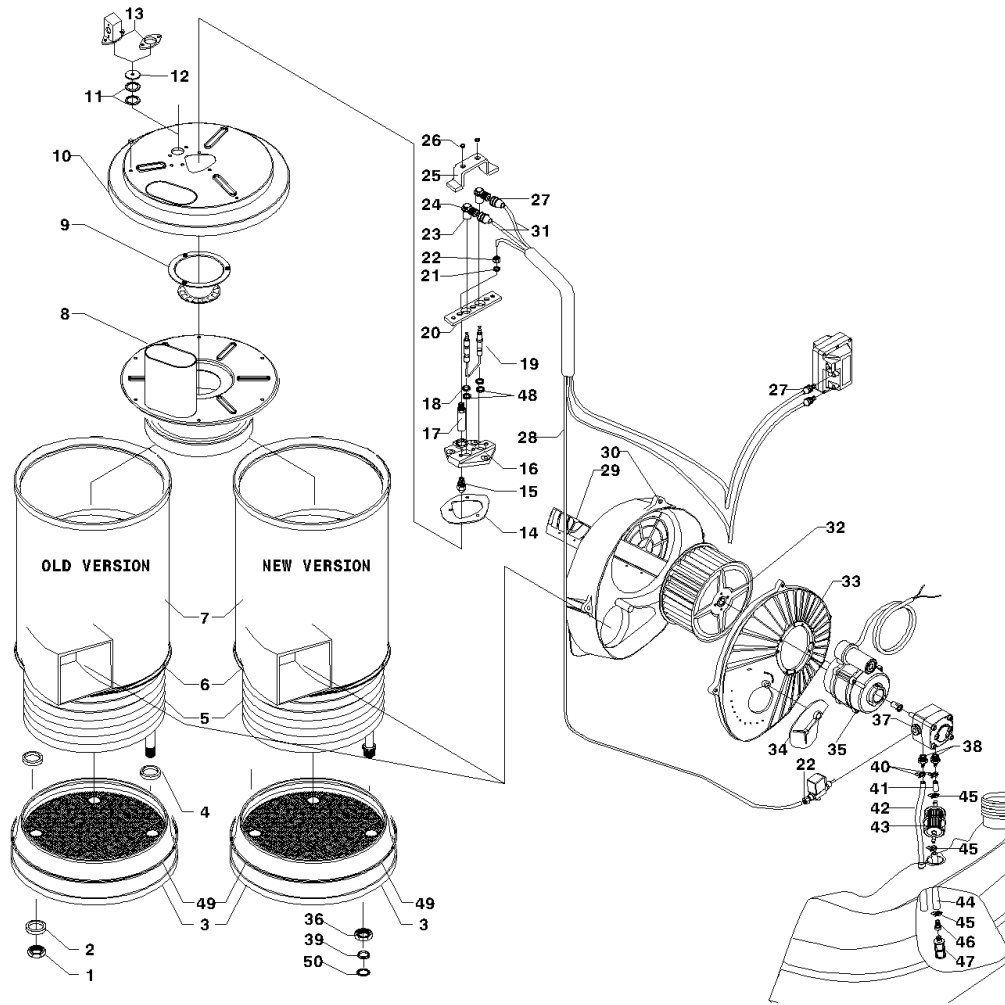
Ref. K	Part N.	Customer Part N.	Description	Qty	Validity:		Price
					From	To	
0037	TBBP04112		L.P. HOSE GOMMA 16-23	0,40			--
0037	TBFX72726		TUBE in PVC con SPIRALE D.25	1,10			--
0038	TBBP85832		L.P. HOSE D. 5- 8	0,57			--
0039	FSVR72800		CLAMP D 8.3 - 8.8	2,00			--
0040	FTDT72506		FILTER FGN010/1	1,00			--
0041	TBBP85832		L.P. HOSE D. 5- 8	0,14			--
0042	RCGR40583		DETERGENT TAP	1,00			--
0043	GUGO40579		GASKET D. 24X 13X 2	2,00			--
0044	VTDD14407		NUT M 5 INX A2	2,00	07/2004		--
0044	VTDD76273		NUT M5 (002D)	2,00		07/2004	--
0045	VTRS03590		WASHER D. 5.3X9X0.6	2,00			--
0046	MPVR40584		KNOB	2,00			--
0047	VTRS01079		WASHER D. 6 GROWER	2,00			--
0048	MPVR74070		INSERT	2,00			--
0049	RCVR72833		ELBOW 3/8"-1/4" M/F A.P.SV OTT.	1,00	03/2003		--
0050	VTRS03590		WASHER D. 5.3X9X0.6	1,00			--
0051	VVSF85209		PRESSURE VALVE REG.D.1.75 MHDS	1,00			--
0052	MNMN49621		PRESSURE GAUGE 0-250 D.50 INOX	1,00	04/2004		--
0052	MNMN72413		PRESSURE GAUGE 0-315 D.50 ATT.1/4Gj	1,00		03/2004	--
0053	RCVR26497		CONNECTOR L 1/8" M C5 D. 6/ 8 NIK	1,00			--
0054	VTRS00548		WASHER D.17,5X22X1,5 (3/8)RM	2,00			--
0055	TBBP17436		L.P. HOSE D.12-14 RILSAN NT.	0,15	10/2002		--
0056	RCGR60703		FLOATER MTM 3/4 PP. S/F.	1,00	10/2002		--
0057	LAFN47452		BRACKET P105 INX	1,00	10/2002	08/2004	--
0057	LAFN88500		BRACKET P105 INT. INX	1,00	09/2004		--
0058	GUGO43071		GASKET D. 14- 24 X 4 70SH	1,00	10/2002		--
0059	RCDS47453		SLEEVE 3/4 M/F PTG. OT	1,00	10/2002	08/2004	--
0059	RCDS88499		SLEEVE 3/4 M/F PTG. L.68 OT	1,00	09/2004		--
0060	FTAC09717		FILTER D.15X37	1,00	10/2002		--
0061	GUGO01054		O-RING D. 15.08 X 2.62 NBR 70SH	1,00	10/2002		--
0062	RCDS08965		HOSE FITTING OTT.	1,00	10/2002		--
0063	RCDS09316		CONNECTION G. 3/4	1,00	10/2002		--
0064	TBBP22234		L.P. HOSE	0,50			--
0065	RCVR76179		HOSE FITTING 1/8"G D.4	1,00			--
0066	RCVR02593		SLEEVE 1/8-1/4 M/F A5	1,00			--
0067	FTAC76162		FILTER MM13	1,00			--
0068	RCVR03535		NIPPLE 1/4 - 1/8 CN	1,00			--
0069	VTVT21988		SCREW TE 6X12 UNI8111 SW.FRM	2,00	09/2004		--
0069	VTVT10021		SCREW TE 6X15 UNI8110 SW.FRM	2,00		09/2004	--



Ref. K	Part N.	Customer Part N.	Description	Qty	Validity:		Price
					From	To	
0070	FSVR00431		CLAMP D. 16-25	4,00			--
0071	TBBP04918		L.P. HOSE D. 8-10 RILSAN NT.	0,33			--
0072	GUGO01219		O-RING D. 20.22 X 3.53 NBR 70SH	2,00	03/2003		--
0073	RCDS01088		CAP 1/4X 9 M WW90	1,00	03/2003	05/2003	--
0074	VTRS04931		WASHER COPPER D.13X19X1.5	1,00	03/2003	05/2003	--
0075	RCDS40581		BLOCK 4VIE 1X1/2M-2X1/4-1X3/8F	1,00	03/2003	05/2003	--
0075	RCDS72826		CONNECTOR 4V. 1/2G -2X3/8G -1/4G	1,00	05/2003		--
0076	TBBP85914		L.P. HOSE L=505 3/4F 90° 18lt	1,00			--
0077	RCVR85740		CONNECTOR T PG.D.10	1,00			--
0078	FSVR72800		CLAMP D 8.3 - 8.8	3,00			--
0079	TBBP85915		L.P. HOSE L=535 3/4F 90° 18lt	1,00			--
0080	RCDS40596		BLOCK 3V. 1X1/2F-2X3/8F P.BLB	1,00		12/2002	--
0081	RCDS48158		BLOCK 3VIE 3/8 F/F 1/2F SR.	1,00	12/2002	04/2003	--
0082	RCDS21118		CONNECTOR KSM	1,00	04/2003		--
0083	RCDS21119		NUT KSM	1,00	04/2003		--
0084	LAFN48672		SUPPORT MTB-M26 BK	1,00	09/2004		--
0085	LAFN88501		BRACKET P105 EST. INX	1,00	09/2004		--

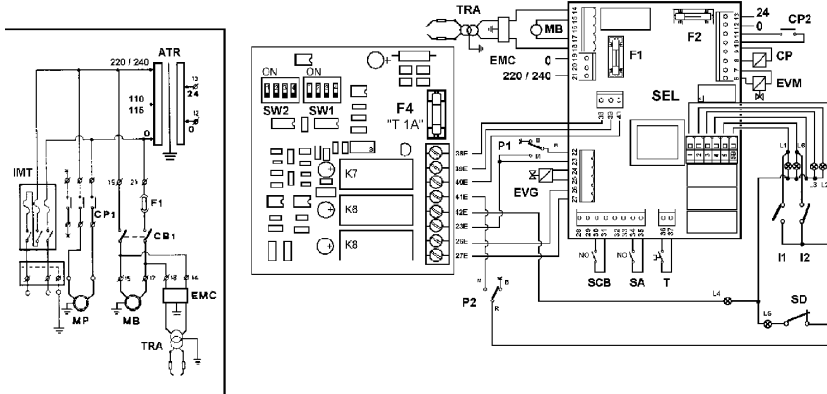
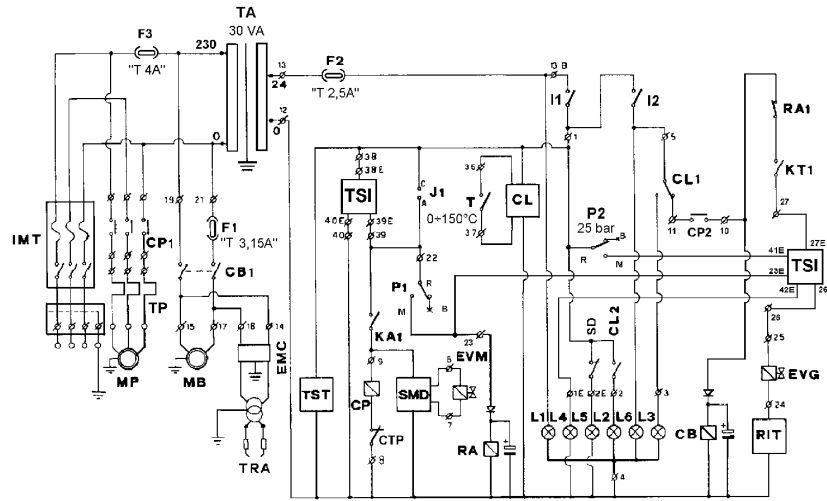


Ref. K	Part N.	Customer Part N.	Description	Qty	Validity:		Price
					From	To	
0001	VTDD74063		NUT 1/2" G	2,00		03/2003	--
0002	VTRS00549		WASHER D.21,5X27X1.5 (1/2) RM	2,00	02/2003	03/2003	--
0002	VTRS01075		WASHER D.21,5X27 ALL	2,00		02/2003	--
0003	LAFN40598		BOILER BOTTOM	1,00		12/2003	--
0003	LAFN49333		BOILER BOTTOM SK-SIR. 2V.	1,00	12/2003		--
0004	GUVR40599		GASKET D. 1/2"	2,00		03/2003	--
0005	LAGR48686		DOUBLE COIL M26X1.5 ADM 35MT GRZ	1,00	04/2003		--
0005	LAFN40600		DOUBLE COIL 3/8 SK-SIR.	1,00		04/2003	--
0006	GUVR40601		GASKET F.VETRO L=940	1,00			--
0007	LAFN40602		EXT. CYLINDER SK-H533	1,00		02/2006	--
0007	LAFN49971		BOILER BODY ADM	1,00	02/2006		--
0008	LAFN40603		BOILER COVER SI	1,00			--
0009	LAFN40604		BAFFLE	1,00			--
0010	LAFN40605		BOILER COVER SE	1,00			--
0011	GUVR40627		GASKET D. 3/4"	2,00			--
0012	MPVR40626		OIL WARN-LIGHT FLOAT SK-MB	1,00			--
0013	MPVR76233		WARN.LIGHT COV.70041	1,00			--
0014	GUVR40624		GASKET	1,00			--
0015	UGBR06094		BURNER NOZZLE 1.75 60° A	1,00			--
0016	MFVR40623		ELECTR.HOLDER	1,00			--
0017	RCDS40622		NOZZLE HOLDER	1,00			--
0018	VTRS48089		WASHER D.13,5X18 X1,5 RM.	2,00			--
0019	MECA40621		ELECTRODE	2,00			--
0020	LAFN40620		PLATE SK	1,00			--
0021	RCVR76263		SPINNER	2,00			--
0022	VTDD40614		NUT G 1/4 D.6 OT.	2,00			--
0023	MPVR40617		PROTECTION	2,00			--
0024	MEVR40616		PIPETTE SK +RST.	2,00			--
0025	LAFN40619		BRACKET SK	1,00			--
0026	MEVR72926		FAIR-LEAD D.13x8x5	2,00			--
0027	MPVR40615		RUBBER	4,00			--
0028	TBCO40606		DIESEL HOSE D. 4 SK-MHDS	1,00			--
0029	MPVR72988		PROTECTION NYL	1,00			--
0030	MPVR40607		SCROLL	1,00		12/2004	--
0030	MPVR88475		SCROLL P245 PA6 BK.	1,00	12/2004		--
0032	VEVR40608		IMPELLER D.160-60 SK	1,00			--
0033	MPVR40609		VENTILATOR COV.	1,00			--
0034	MPVR40610		AIR GATE	1,00			--
0035	MOMB40611		BURNER MOTOR 230-50 IP44 150W SIM.	1,00			--

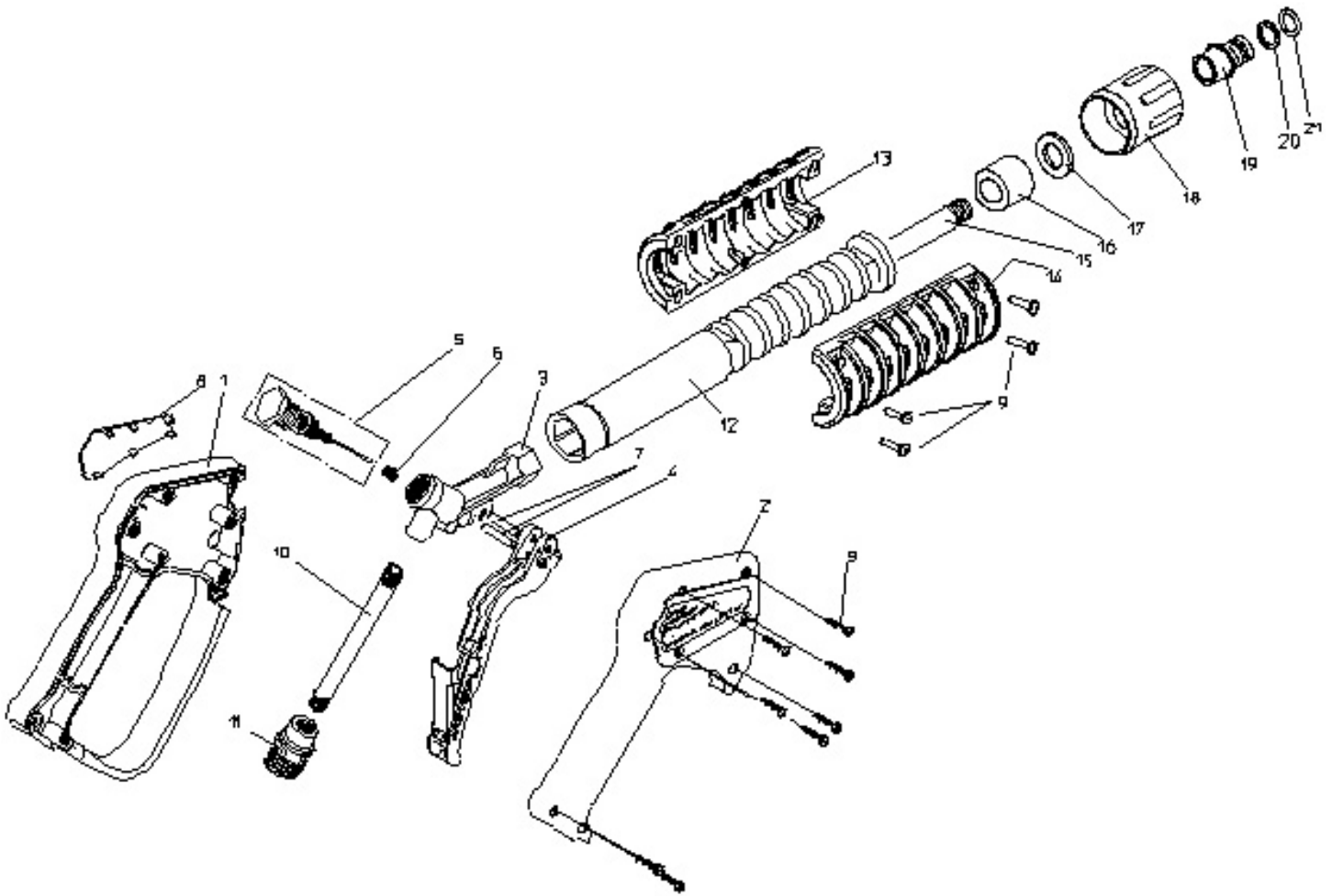


Ref. K	Part N.	Customer Part N.	Description	Qty	Validity:		Price
					From	To	
0036	RCDS21120		RING NUT M 26 X 1,5	2,00	03/2003		--
0037	PPGS40612		FUEL PUMP DLT VD1RL24	1,00			--
0038	RCDS72815		HOSE FITTING M1/4 D.6	2,00			--
0039	GUGO21222		O-RING D. 15.54 X 2.62 VIT 80SH	2,00	03/2003		--
0040	FSVR72803		CLAMP D 9.3 - 9.9	2,00			--
0041	TBBP72695		TUBE PVC D. 5 -9 RED	0,50			--
0042	TBBP48098		TUBE PVC D. 5 -9 GREEN	0,65			--
0043	FTCO10912		FILTER D.7	1,00			--
0044	TBBP72695		TUBE PVC D. 5 -9 RED	0,25			--
0045	FSVR72803		CLAMP D 9.3 - 9.9	3,00			--
0046	RCDS72815		HOSE FITTING M1/4 D.6	1,00			--
0047	MPVR76409		FILTER	1,00			--
0048	VTRS04931		WASHER COPPER D.13X19X1.5	2,00			--
0049	GUGO00409		JOINT 15X3	1,00			--
0050	GUVR21021		ANTI-EXTR.RING D. 21 X17 TEF.	2,00	03/2003		--
0051	ITTE49330		BOTTOM SK-SIR. C.TE	1,00	12/2003		--

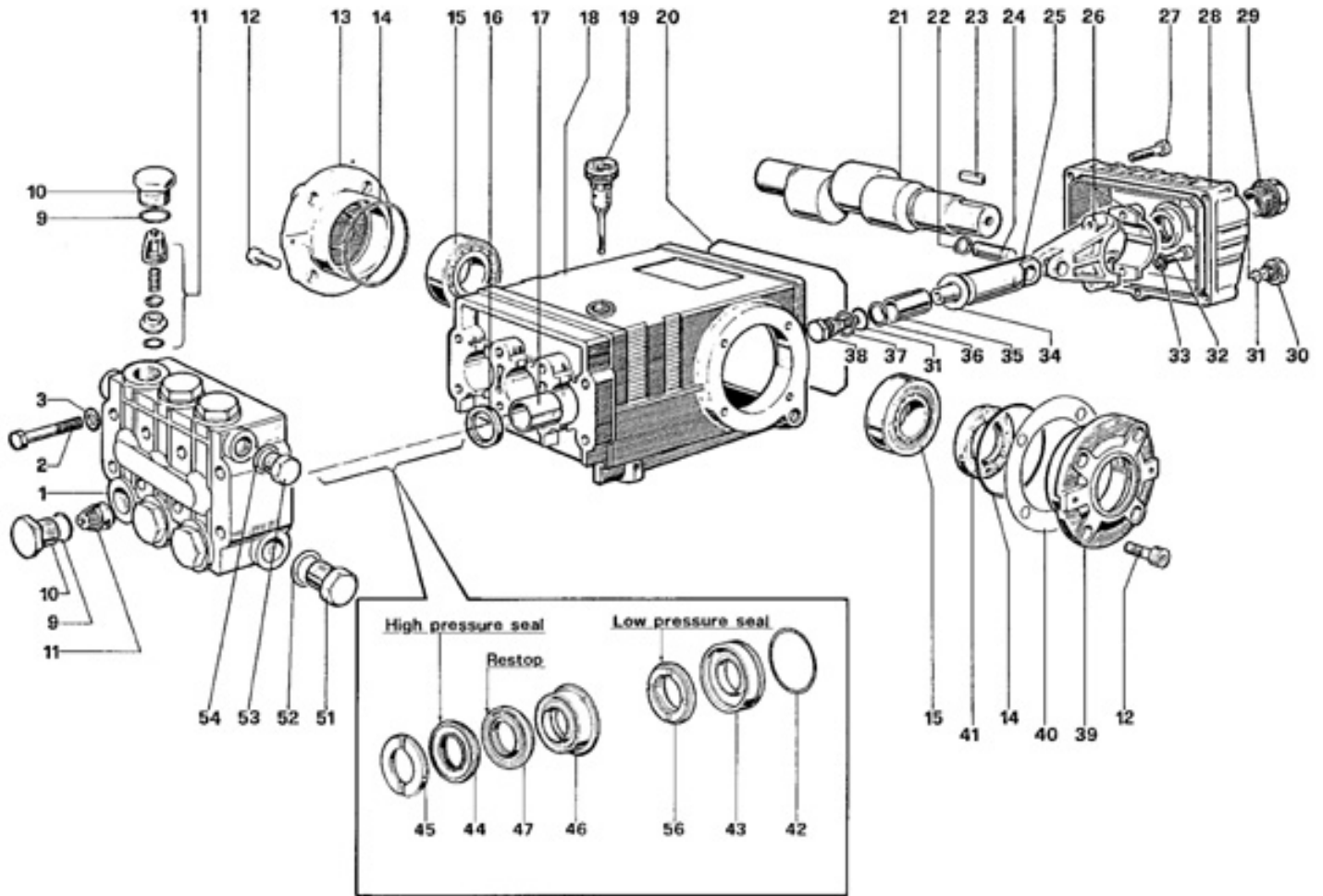




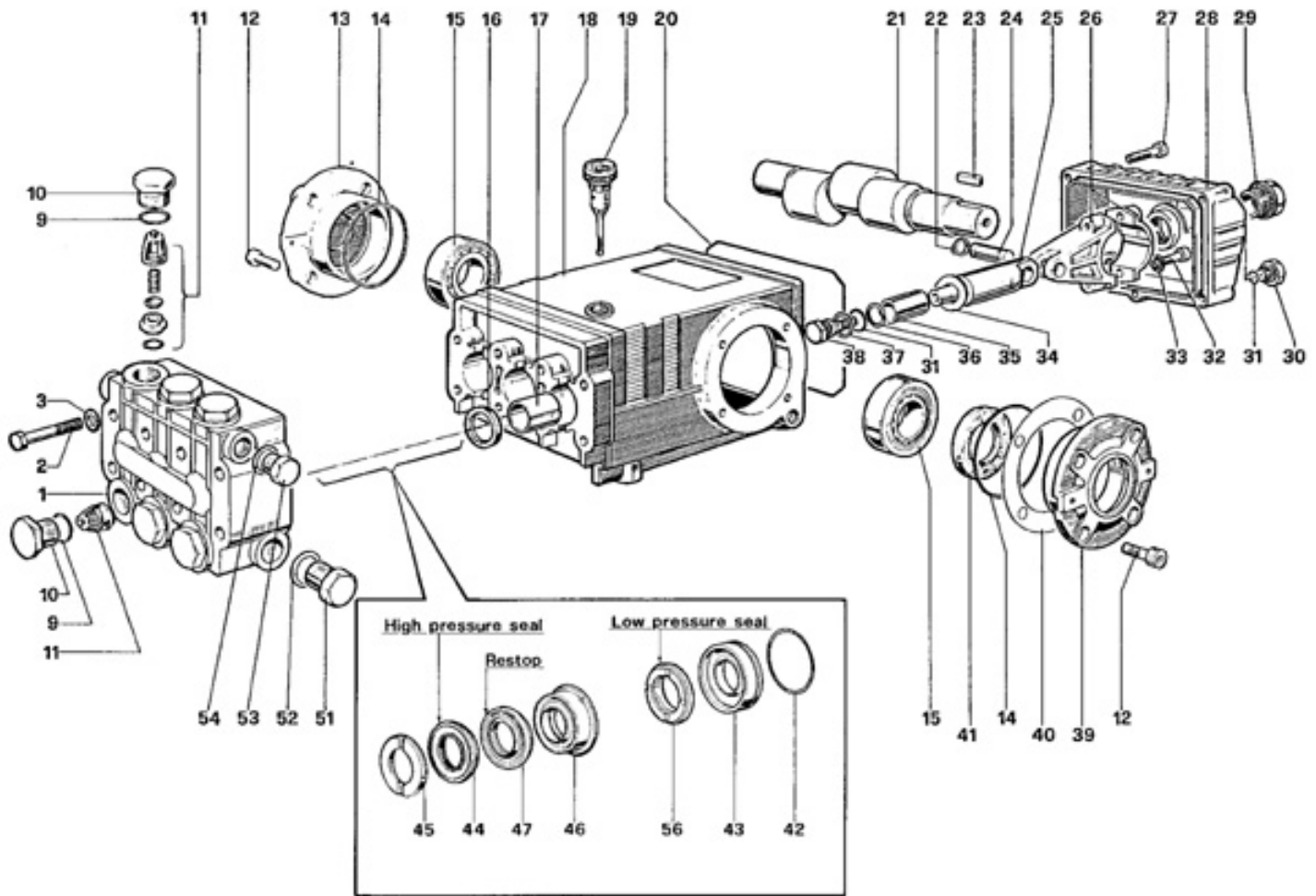
Ref.	K	Part N.	Customer Part N.	Description	Qty	Validity:		Price
						From	To	
T		METK40597		THERMOSTAT 30-150°C TR/741 L=1000	1,00			--
F1		MEVR00237		FUSE 5X20 3,15A	1,00	07/2003		--
F1		MEVR35744		FUSE 5X20 T 2,5A	1,00		07/2003	--
F2		MEVR35744		FUSE 5X20 T 2,5A	1,00			--
F3		MEVR76270		FUSE 500V 10,3x38 4A	1,00			--
F4		MEVR18042		FUSE 5X20 T1A	1,00			--
I1		MECI85826		SWITCH ROC 800EP-HN22 0-1	1,00			--
I2		MECI71700		SWITCH 250V IP55 30x22	1,00			--
L1		MELF38876		LAMP 24V VRD SLX	1,00			--
L5		MELF61944		LAMP 24V ORN.	1,00	12/2003		--
L5		MELF71641		OIL WARN-LIGHT 24V AR	1,00		12/2003	--
P1		MEPF41516		PRESSURE SWITCH PA PR 5	1,00			--
P2		MEPF76254		PRESSURE SWITCH 25 BAR	1,00			--
SA		MECI49945		SENSOR LEVEL S1.PML.15NO-FST +G.1/2	1,00	03/2005		--
SA		MECI85110		SWITCH S1.PML.M16	1,00		02/2005	--
SD		MECI40941		SENSOR LEVEL S1.PML.M16	1,00			--
TP		METT71591		RELAY TERM. "SPRECHER" CT.3.32	1,00		04/2005	--
TP		METT85957		CONTACTOR ALLEN-BRADLEY 24V-50/60	1,00	05/2005		--
ATR		METR41580		TRANSFORMER 50VA 400-230/50V	1,00			--
CP1		METT71615		CONTACTOR "SPRECHER" CA.3.23	1,00		04/2005	--
CP1		METT85958		THERMAL RELAY ALLEN-BRADLEY 12 -37 A	1,00	05/2005		--
CP2		METT85959		CONTACTOR ALLEN-BRADLEY NO	1,00	05/2005		--
EMC		MECE34831		FILTER LC F.AH.DA.3100ZF 6.5A	1,00			--
EVG		MEEV76208		SOLENOID VALVE 24V-001	1,00			--
EVM		MEEV40574		SOLENOID VALVE CEME 1/8F 2V 24V	1,00			--
IMT		MECI71739		AUTHOMAT.SWITCHC40 3P	1,00			--
SCB		MECI49945		SENSOR LEVEL S1.PML.15NO-FST +G.1/2	1,00	04/2005		--
SCB		MECI85110		SWITCH S1.PML.M16	1,00		03/2005	--
TRA		METR40618		TRANSFORMER 230V-50HZ 2X5000V	1,00			--
TSI		MECE71790		PCB TSI	1,00			--
TST		MECE49234		PCB TST SK-MB CE FUS.3.15A T	1,00	07/2003		--
TST		MECE71636		PCB TST SK-MB CE	1,00		07/2003	--
L234		MELF76275		OIL WARN-LIGHT 24V RS	3,00			--



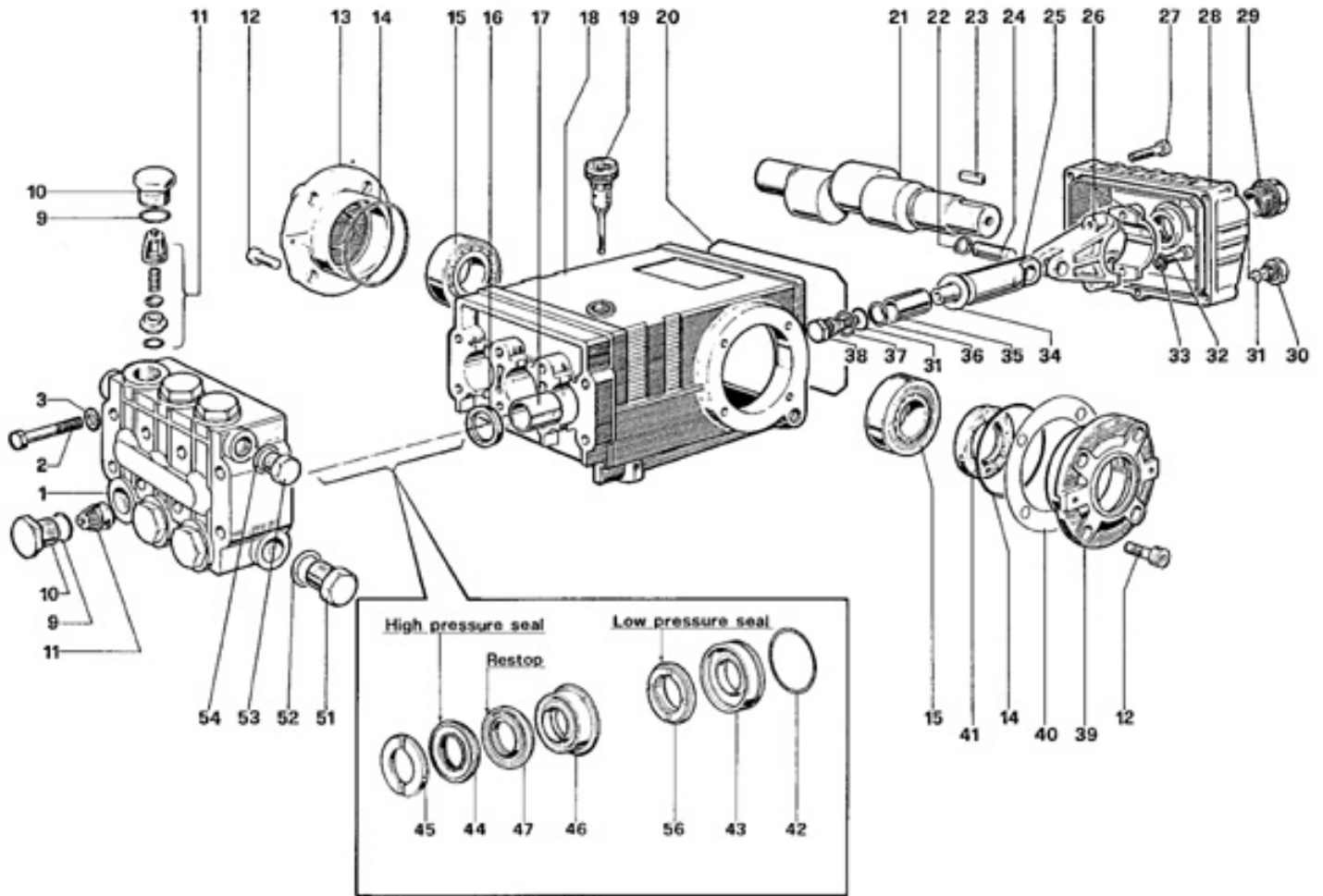
Ref. K	Part N.	Customer Part N.	Description	Qty	Validity:		Price
					From	To	
0001	MPVR46562		SHELL G 4500	1,00			--
0002	MPVR46563		COVER G 4500	1,00			--
0003	PVVR46564		GUN BODY G 4500 G1/4 OT.	1,00			--
0004	MPVR46565		TRIGGER G 4500	1,00			--
0005	PVVR46566		SMALL PISTON G 4500 CPL.	1,00			--
0006	PVVR46567		PISTON GUIDE G 4500 CPL.	1,00			--
0007	VTVR46568		PLUG G 4500	2,00			--
0009	VTVT28553		SCREW TCB-TC 3.5X16	11,00			--
0010	PVVR37732		TUBE G 1/4" M/M L.139	1,00			--
0012	MPVR46570		PROTECTION P 330 ST	1,00			--
0013	PVVR13440		SHELL PROTECTI.ST	2,00			--
0015	LCPR46571		TUBE 1/4 L=352 INOX	1,00			--
0016	MPVR46572		SPACER P 330 ST	1,00			--
0017	VTRS04931		WASHER COPPER D.13X19X1.5	1,00			--
0018	PVVR13445		CONNECTION M 22X1,5 L=45	1,00			--
0019	RCVR13030		GUDGEON G 1/4 F L=31.5	1,00			--
0020	GUVR10526		ANTI-EXTR.RING D.13.9X10.2 C.BZ	1,00			--
0021	GUGO10525		O-RING D. 9.3 X 2.4 NBR 70SH	1,00			--



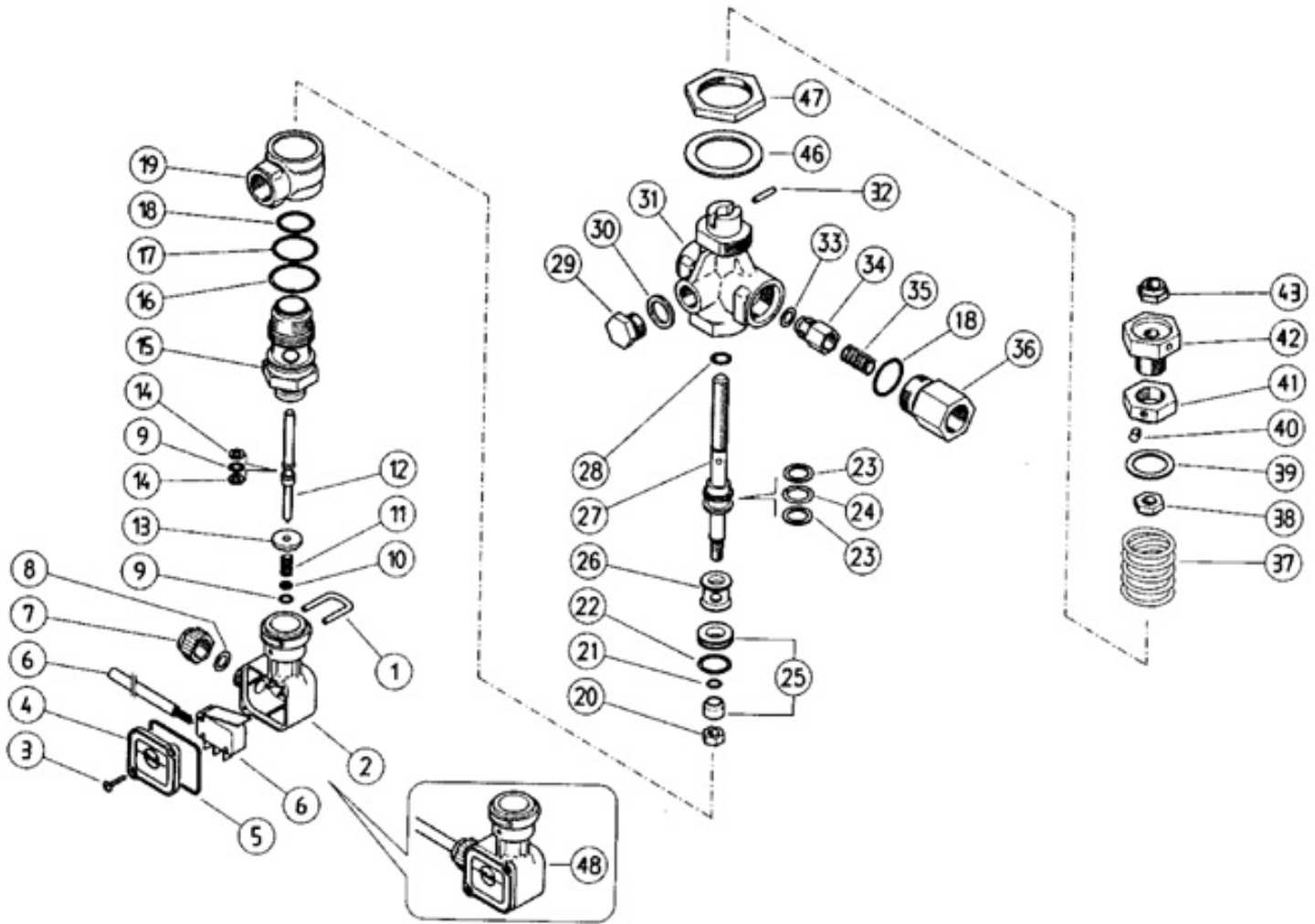
Ref.	K	Part N.	Customer Part N.	Description	Qty	Validity:		Price
						From	To	
0001		MFVR41489		HEAD TS 1521 NIK.	1,00			--
0002		VTVT01111		SCREW TE M 8X70 UNI 5737	8,00			--
0003		VTRS01072		WASHER D. 8 TC	8,00			--
0009	S	GUGO01033		O-RING D. 20.24 X 2.62 NBR 90SH	6,00			--
0010	S	RCDS03585		CAP M24X2X16 W201	6,00			--
0011	S	VVAM01104		VALVE UNIT W 70-151	6,00			--
0012		VTVT01118		SCREW TCEI M 8X16 ZC. UNI 5931	8,00			--
0013		MFVR03576		CRANKASE COVER W151	1,00			--
0014		GUGO01041		O-RING D. 67.95 X 2.62 NBR 70SH	2,00			--
0015		CUVR09205		ROLLER BEARING 32206 A	2,00			--
0016	S	GUGO01000		OIL SEAL 22X 32X 5.5 NBR70	3,00			--
0017		PVVR01011		BUSHING W 151	3,00			--
0018		MFVR41490		PUMP CRANKCASE TS 1521	1,00			--
0019		PVVR01092		OIL DIPSTICK W 151	1,00			--
0020		GUGO34590		O-RING D. 133.02 X 2.62 NBR 70SH	1,00			--
0021		ALMO41529		SHAFT TS 1521 USA	1,00			--
0022		VTAE14016		CIRCLIP D. 12 UNI 7435	6,00			--
0023		VTVR41531		KEY 8X 7X35 UNI 6604A	1,00			--
0024		PVVR01085		GUDGEON D.13X35 W151	3,00			--
0025		PVVR01029		PISTON GUIDE W 151	3,00			--
0026		BLVR01009		CONNECTING ROD W 151	3,00			--
0027		VTVT01116		SCREW TCEI 6X30 UNI5931	5,00			--
0028		MFVR03582		CRANKASE COVER W 151 POS	1,00			--
0029		PVVR01083		OIL INDICATOR G 3/4 W70-151	1,00			--
0030		RCDS01088		CAP 1/4X 9 M WW90	1,00			--
0031	S	GUGO01036		O-RING D. 10.82 X 1.78 NBR 70SH	4,00			--
0032		VTVT01120		SCREW TCEI 8X35 UNI5931	6,00			--
0033		VTRS14242		WASHER D. 8.4X13X0.8 UNI7064 SCH	6,00			--
0034	S	VTRS01753		WASHER D.14X28 X0,5	3,00			--
0035		PIVR01066		PISTON D.20X50 W 151	3,00			--
0036	S	GUVR00994		ANTI-EXTR.RING W151	3,00			--
0037	S	VTRS01076		WASHER D.14X18,5X0,5	3,00			--
0038	S	PVVR01107		PISTON BOLT IP W151	3,00			--
0039		MFVR03583		CRANKASE COVER W151	1,00			--
0040		PVVR01016		THICKNESS 0,1 W 151	2,00			--
0041	S	GUGO01003		OIL SEAL 30X 55X 7 NBR70	1,00			--
0042	S	GUGO01042		O-RING D. 34.6 X 1.78 NBR 70SH	3,00			--
0043	S	PVVR00977		PACKING RETAIN.W151	3,00			--
0044	S	GUVR00981		PACKING W151	3,00			--



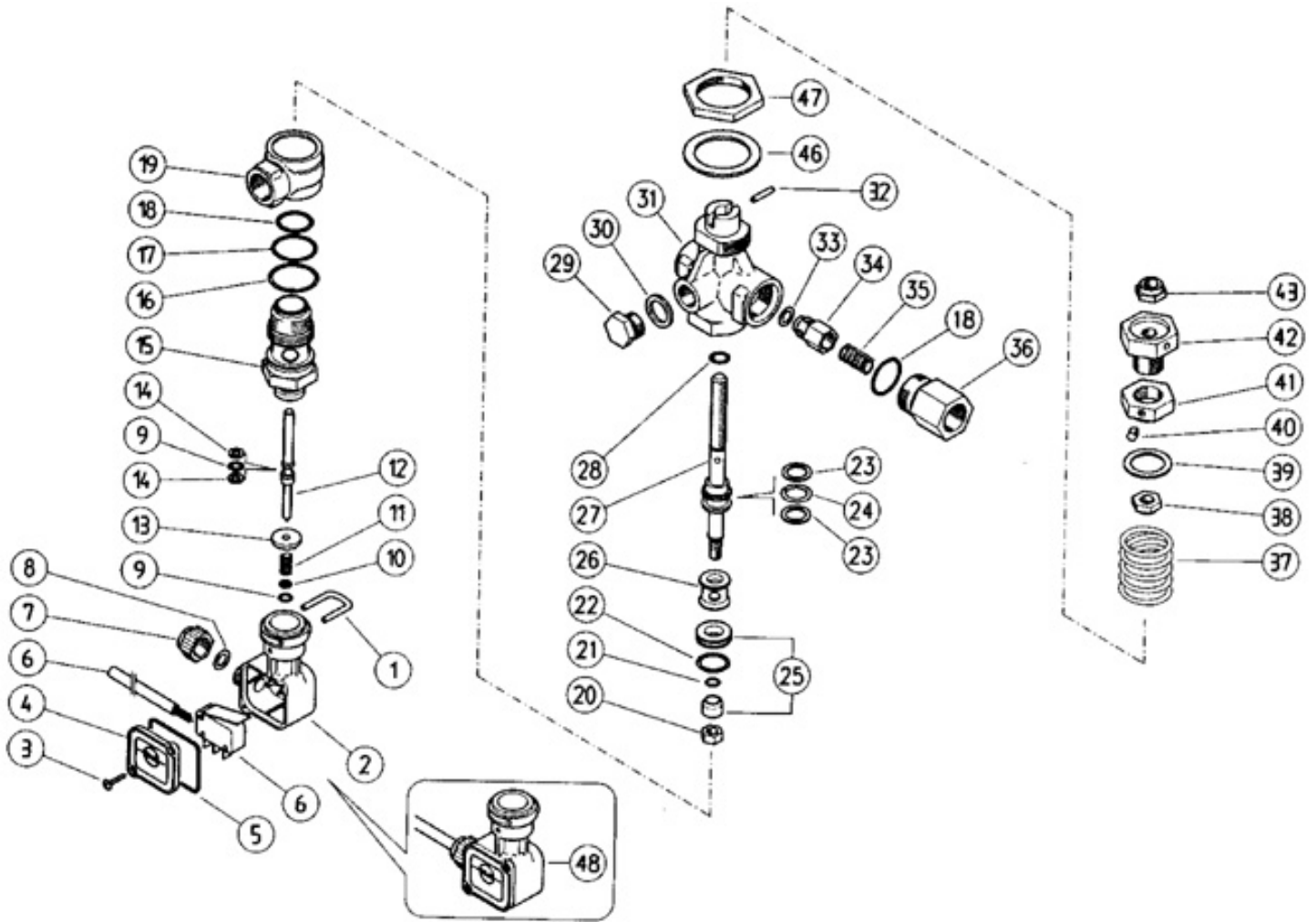
Ref.	K	Part N.	Customer Part N.	Description	Qty	Validity:		Price
						From	To	
0045	S	PVVR00985		HEAD RING W151	3,00			--
0046	S	PVVR34589		INTERMED. RING W 151 D. 20	3,00			--
0047	S	GUVR34587		PACKING D. 20 RESTOP	3,00			--
0051		RCDS01091		CAP 1/2X10 M	1,00			--
0052		VTRS01075		WASHER D.21,5X27 ALL	1,00			--
0053		RCDS01090		CAP 3/8X13 M WW90	1,00			--
0054		VTRS01074		WASHER D.17,05X22,3 X1,5	1,00			--
0056	S	GUVR34585		PACKING W 151 L.P.	3,00			--



Ref. Part N.	Cust. Part N.	Description	Reference	Price
KTRI14900	KIT P	15- 3	0041	--
KTRI14901	KIT P	10	0042 0043	--
KTRI17793	KIT P	6	0031 0034 0036 0037 0038	--
KTRI17796	KIT P	5	0009 0010	--
KTRI17859	KIT P	1	0011	--
KTRI17860	KIT P	2	0016	--
KTRI18574	KIT P	7	0045	--
KTRI18579	KIT P	28	0042 0043 0044 0045 0046 0047 0056	--
KTRI35429	KIT P	71	0046 0047	--
KTRI36927	KIT P	69	0044 0047 0056	--



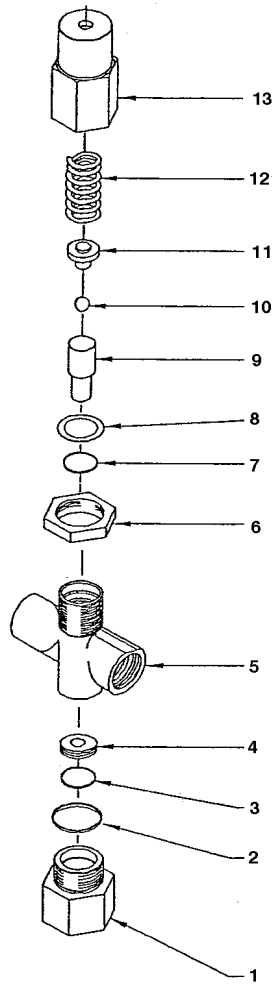
Ref.	K	Part N.	Customer Part N.	Description	Qty	Validity:		Price
						From	To	
0001		LAFN41496		PLUG "U" PR5	1,00			--
0002		MPVR41497		SHELL T-STOP PR5	1,00			--
0003		VTVT11286		SCREW 2,2X12	2,00			--
0004		MPVR41498		COVER S.T-STOP PR5	1,00			--
0005	S	GUGO01941		O-RING D. 28.25 X 2.62 NBR 70SH	1,00			--
0006		MECI41499		MICROSWITCH 6A PA	1,00			--
0007		GUGO24916		O-RING D. 6.02 X 2.62 NBR 90SH	1,00			--
0008	S	GUGO24916		O-RING D. 6.02 X 2.62 NBR 90SH	1,00			--
0009	S	GUGO01062		O-RING D. 3.69 X 1.78 NBR 70SH	2,00			--
0010		VTRS17740		WASHER D. 4 X 8	1,00			--
0011		MLML11067		SPRING PR 5	1,00			--
0012		RCDS41500		PIN T-STOP PR5-VB9	1,00			--
0013		VTRS05904		WASHER D. 4 X16 2.083	1,00			--
0014	S	GUVR41501		ANTI-EXTR.RING D. 4.2X 7 PA	2,00			--
0015		PVVR41502		CONNECTOR VB 9	1,00			--
0016	S	GUGO19290		O-RING D. 23.52 X 1.78 NBR 70SH	1,00			--
0017	S	GUGO08182		O-RING D. 21.91 X 1.78 NBR 70SH	1,00			--
0018	S	GUGO09699		O-RING D. 18.77 X 1.78 NBR 70SH	2,00			--
0019		PVVR41503		MANIFOLD VB 9	1,00			--
0020		VTDD12323		NUT M 6X1 INOX	1,00			--
0021	S	GUGO02255		O-RING D. 4 X 1 -NBR 70SH	1,00			--
0022	S	GUGO03505		O-RING D. 15.6 X 1.78 NBR 70SH	1,00			--
0023	S	GUVR41504		ANTI-EXTR.RING D.11.4X15.9	2,00			--
0024	S	GUGO11225		O-RING D. 10.78 X 2.62 NBR 70SH	1,00			--
0025	S	PVVR41505		PISTON SEAT VB 9	1,00			--
0026		PVVR41506		SPACER VB 9	1,00			--
0027		PVVR41507		PISTON VB 9	1,00			--
0028	S	GUGO21638		O-RING D. 7.60 X 2.62 NBR 70SH	1,00			--
0029		PVVR06995		CAP G 1/4	1,00			--
0030		PVVR06994		WASHER D. 13.5X19 X1.5	1,00			--
0031		PVVR41508		VALVE BODY VB 9	1,00			--
0032		VTVR06990		PLUG D. 3X14 INX	1,00			--
0033	S	GUGO06824		O-RING D. 6 X 3 NBR 70SH	1,00			--
0034		PVVR29750		PIN VB 7 2V.	1,00			--
0035		MLML29751		SPRING VB 7	1,00			--
0036		PVVR29752		CONNECTOR VB 7 3/8F 2V.	1,00			--
0037		MLML41509		SPRING D. 4,2 VB 9	1,00			--
0038		PVVR41510		RING NUT M 8	1,00			--
0039		VTRS41511		WASHER VB 9	1,00			--



Ref. K	Part N.	Customer Part N.	Description	Qty	Validity:		Price
					From	To	
0040	VTVT08589		SCREW EI-ST 5X 6	1,00			--
0041	PVVR41512		RING NUT VB 9	1,00			--
0042	RCDS41513		NIPPLE VB 9	1,00			--
0043	VTDD07000		NUT M 8	1,00			--
0046	VTRS41514		WASHER D.30	1,00			--
0047	PVVR41515		RING NUT VB 9	1,00			--
0048	MEPF41516		PRESSURE SWITCHPA PR 5	1,00			--







Ref. K	Part N.	Customer Part N.	Description	Qty	Validity:		Price
					From	To	
0001	RCVR61105		CONNECTOR VS 220	1,00			--
0002	GUGO03505		O-RING D. 15.6 X 1.78 NBR 70SH	1,00			--
0003	GUGO10800		O-RING D. 10 X 1 NBR 70SH	1,00			--
0004	PVVR61091		VALVE SEAT 4,5X12X4 MM	1,00			--
0005	PVVR61073		VALVE BODY VS 220	1,00			--
0007	GUGO63424		O-RING D. 7.66	1,00			--
0009	PVVR33551		PISTON PA	1,00			--
0010	SFVR61110		BALL VS 220	1,00			--
0011	PVVR61099		SUPPORT VS 220	1,00			--
0012	MLML33552		SPRING D. 4,2 220BAR	1,00			--
0012	MLML61052		SPRING 170 B. VS 220	1,00			--
0013	PVVR61080		SLEEVE VS 220	1,00			--