



IPC

Spare parts list

Ref: ASDO15221

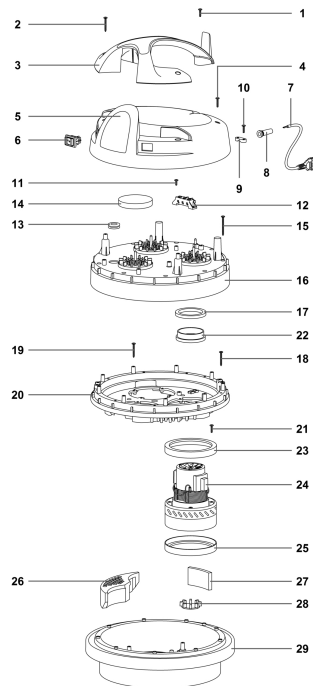
Model: VACUUM CLEANER G3 CARGO TOPPER 440 C/T-F



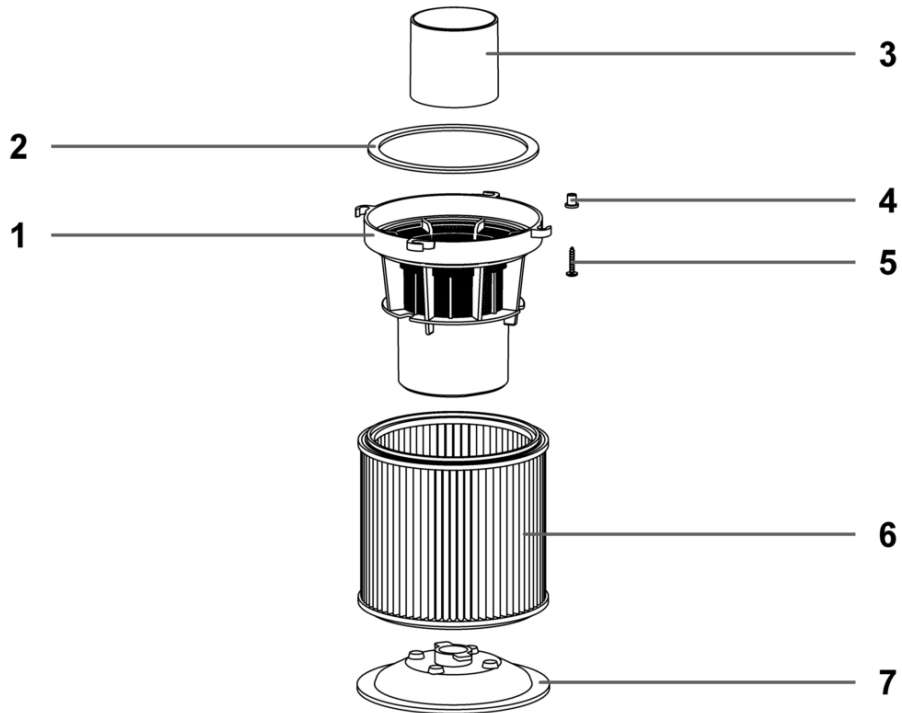
IPC Integrated Professional Cleaning

IPC Soteco

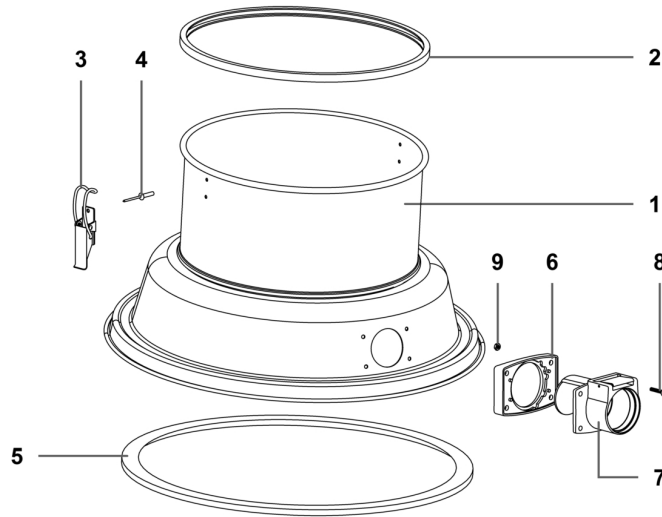
Ref. K	Part n.	Part n. 2	Description	Quantity	Validity		Price
					From	To	
0001	PMTA08371		HEAD TOPPER 440 2ST VE/NE	1,00			--
0002	KTRI03656		FILTERING KIT 300/500 W/PAPER W/NET	1,00			--
0003	PMFU00144		DEC. TANK 400 NECK COMPL.	1,00			--
0004	TBFX72134		COMPL.FLEX HOSE 58-50/99 MT.2,5	1,00			--
0005	FTDP28755		FILTER D.145X190	1,00			--



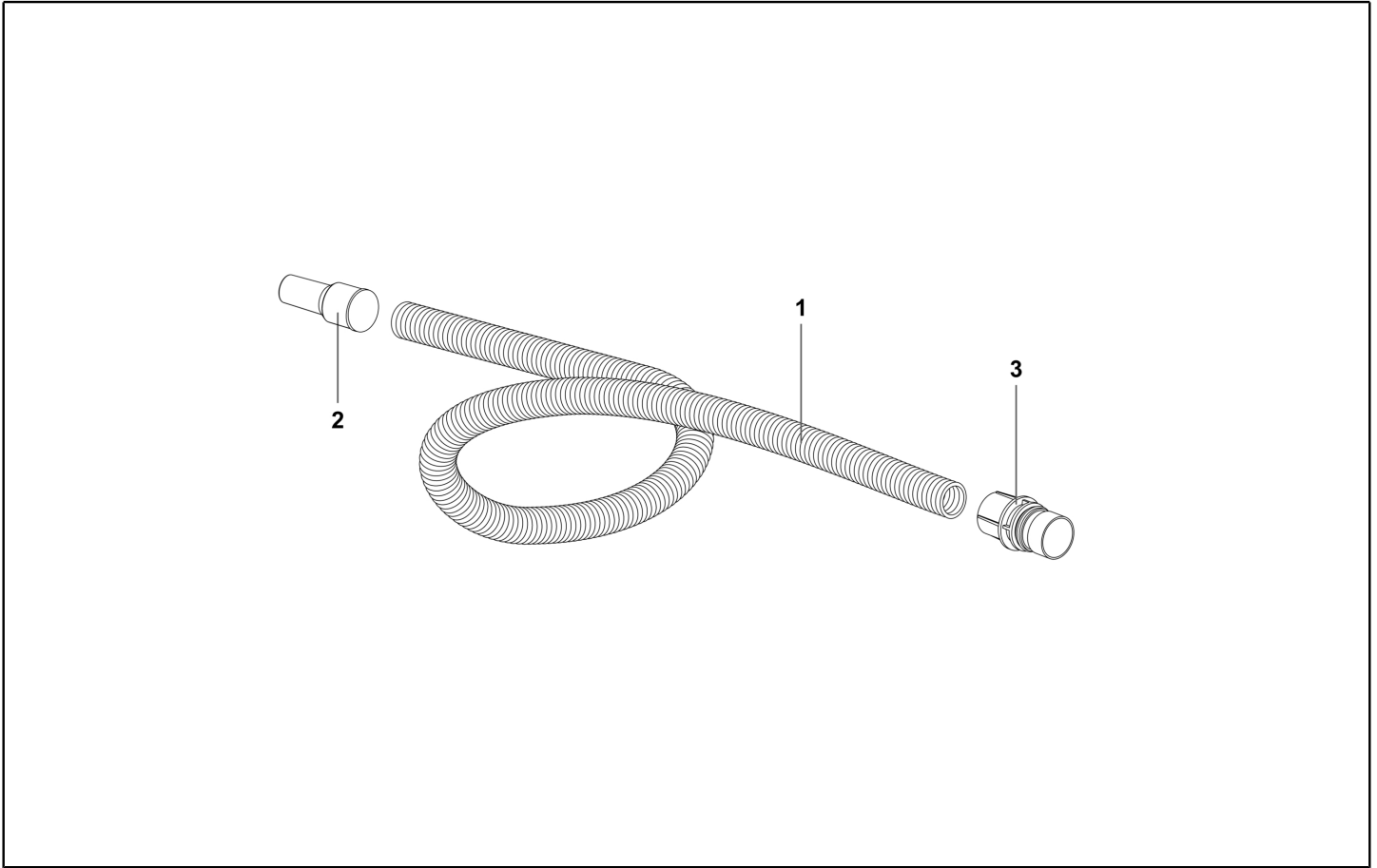
Ref. K	Part n.	Part n. 2	Description	Quantity	Validity		Price
					From	To	
*	MECB01826		WIRING 50CM MOTORE POKE-IN-TP	3,00			--
*	FSVR00127		CLAMP	4,00			--
0001	VTVT71961		SCREW PFU TMT PHL 5X20 ZN NERA	1,00			--
0002	VTVT72106		SCREW PAT TMT PHL 5X40 BLACK	2,00			--
0003	MPVR08307		HANDLE TOPPER 600 GREEN IPC	1,00			--
0004	VTVT72055		SCREW PFU TMT PHL 5X25 ZN BLACK	2,00			--
0005	PMVR06241		COVER TOPPER 600 NE 3INT	1,00			--
0006	MECI28744		ANTISPLASH RED LIGHT SWITCHER	3,00			--
0007	MECB31445		ELECTRIC CORD 2X1,5 MT.8,5	1,00			--
0008	MEVR28673		FAIRLEAD	1,00			--
0009	MPVR28690		CABLE CLAMP	1,00			--
0010	VTVT71961		SCREW PFU TMT PHL 5X20 ZN NERA	1,00			--
0011	VTVT71960		SCREW PAT TMT PHL 5X14 ZN	2,00			--
0012	MEVR02008		TERM.BOARD 400-600 3MOT.RAD	1,00			--
0013	MEVR72017		GUIDING SLIT FOR QUICK COUPLING	1,00			--
0014	FTDP38064		FILTER MTP/65 H=15 D.95	3,00			--
0015	VTVT40007		SCREW PAT TMT PHL 5X55 BLACK	9,00			--
0016	MPVR08519		COVERING 600 GREEN IPC	1,00			--
0017	MPVR38371		WASHER H8 D85X65	3,00			--
0018	VTVT72106		SCREW PAT TMT PHL 5X40 BLACK	9,00			--
0019	VTVT72106		SCREW PAT TMT PHL 5X40 BLACK	3,00			--
0020	MPVR89502		MOTOR-FASTENER NEV.600 BLACK	1,00			--
0021	VTVT71961		SCREW PFU TMT PHL 5X20 ZN NERA	12,00			--
0022	MPVR86282		RING MOTORE H=7 (15) PLAST.	3,00			--
0023	GUGO28683		"L" GASKET W/O HOLES H=5,5	3,00			--
0024	MOMO28716		MOT.BD302 1000W 220-240V 50-60HZ	3,00			--
0025	GUGO28683		"L" GASKET W/O HOLES H=5,5	3,00			--
0026	FTDP38057		ANTINOISE TRIANGLE H=51	3,00		16/10/2023	--
0026	FTDP00891		FILTER FONO TRIANGOLARE H=53	3,00	17/10/2023		--
0027	FTDP28745		GASKET MTP/30 AU-AD 50X10X85	3,00			--
0028	MPVR28748		AUTOMATIC VALVE	3,00			--
0029	PMBA00609		BASE 600/400 BLACK COMP	1,00			--



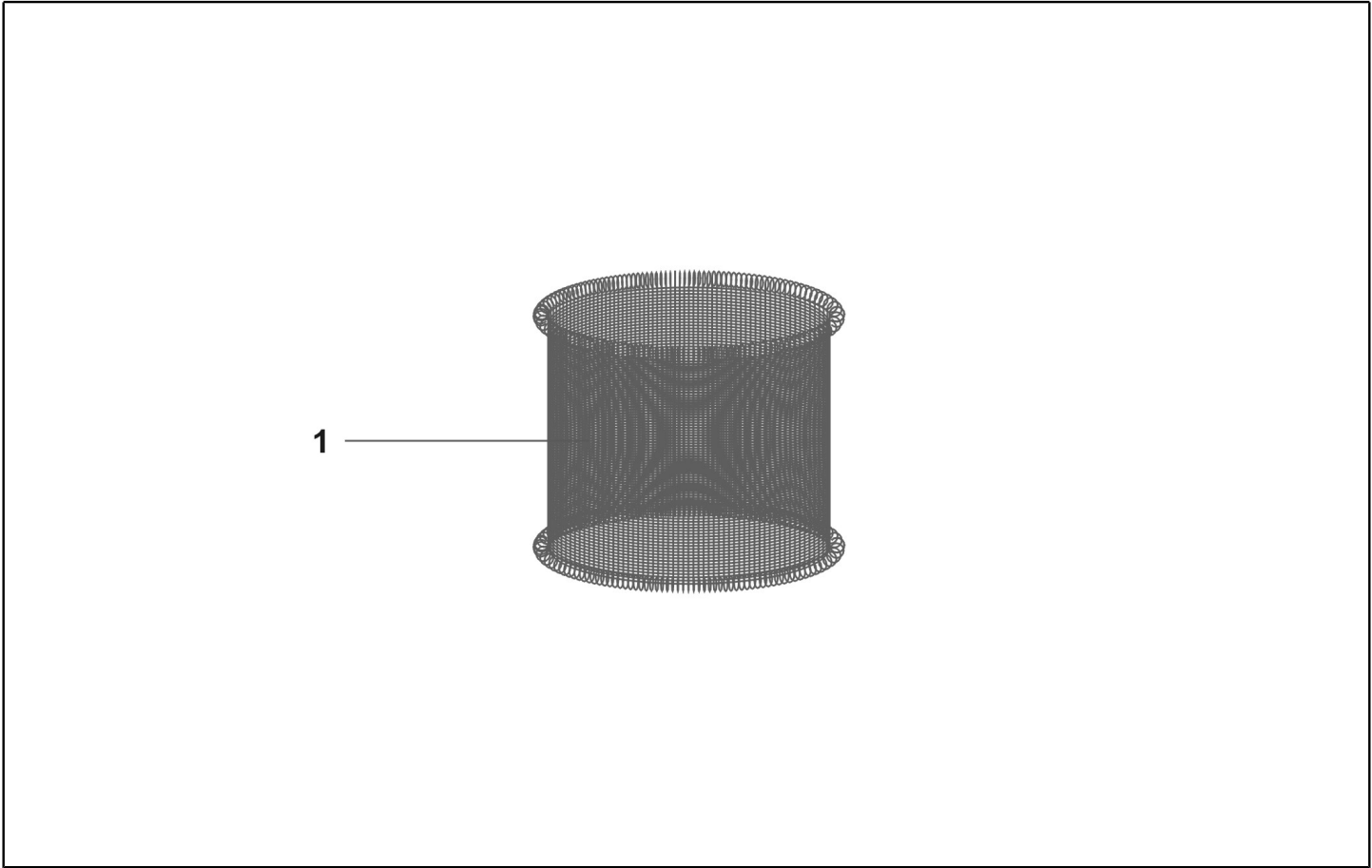
Ref. K	Part n.	Part n. 2	Description	Quantity	Validity		Price
					From	To	
0001	MPVR40521		NET ANTIFOAM BODY HIGH	1,00			--
0002	GUVR40078		GASKET H3 DS50 W/ANTIFOAM BODY	1,00			--
0003	RCGR40008		HIGH FLOAT 99 W/GASKET 37 SHA	1,00			--
0004	MPVR35796		BUSHING PLASTIC SLEEVE D.8	4,00			--
0005	VTVT36751		SCREW SCREW PAT TMT PHL 5X25	4,00			--
0006	FTDP28620		PAPER CARTRIDGE D.175X145X164	1,00			--
0007	MPVR28723		COMPL.RING FOR FILTER	1,00			--



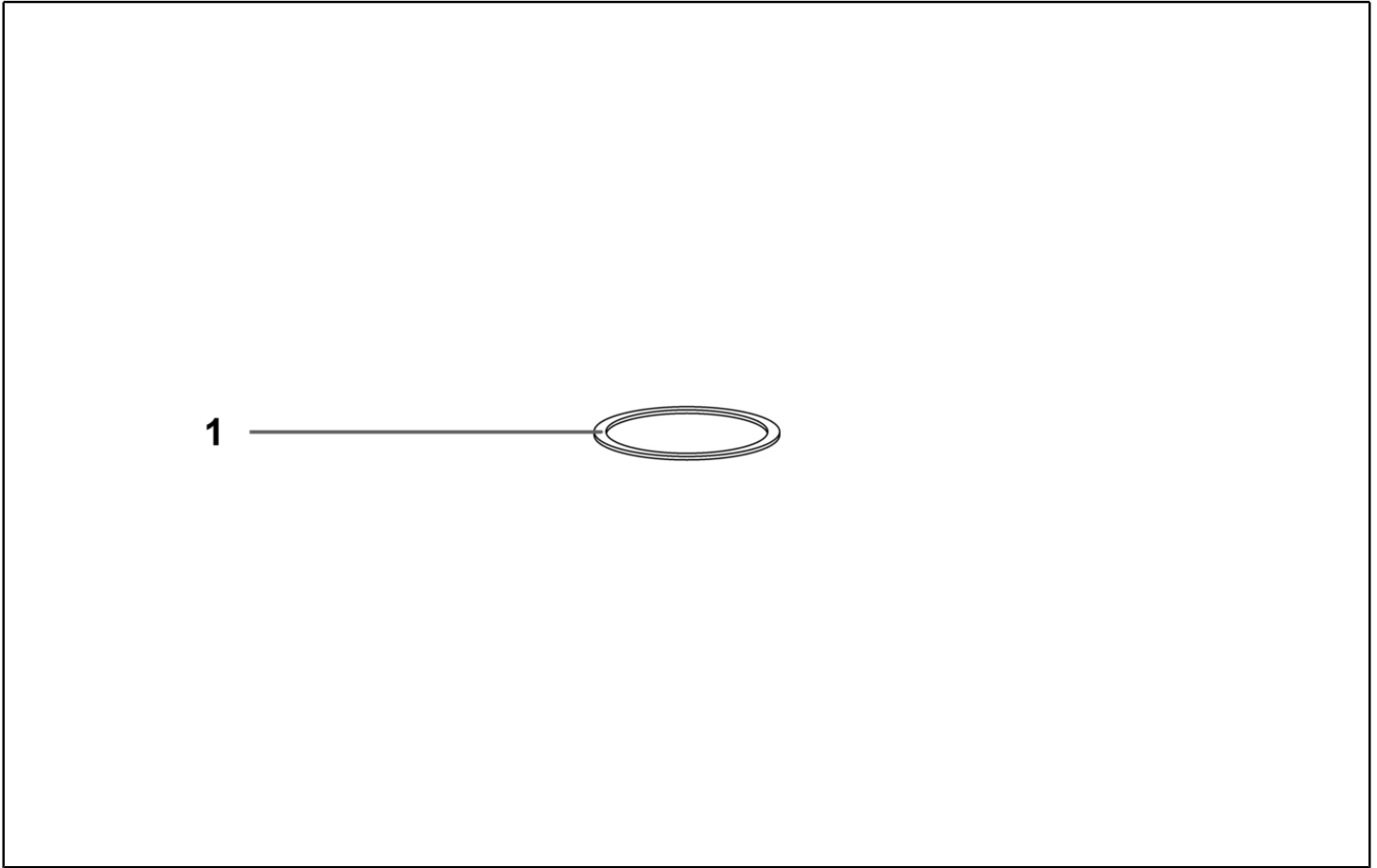
Ref. K	Part n.	Part n. 2	Description	Quantity	Validity		Price
					From	To	
0001	LAFN08642		DECANTER 400/1000 CARGO	1,00			--
0002	MPVR08933		SHOCKPROOF BAND 500 1,265MT VE-IPC	1,00			--
0003	CHVR40000		UNIVERSAL METAL HOOK	2,00			--
0004	VTVR71991		RIVET 5X11	4,00			--
0005	GUVR00425		GASKET VAC LID EPDM+NBR EDGE 37X17	1,80			--
0006	GUGO28736		GASKET R 205 BLACK	1,00			--
0007	MFVR40018		INLET W/DEFLECTOR D60 AL. COMP	1,00			--
0008	VTVT85000		SCREW M 5X25	4,00			--
0009	VTDD00223		BRASS NUT M 5 UNI 5588	4,00			--



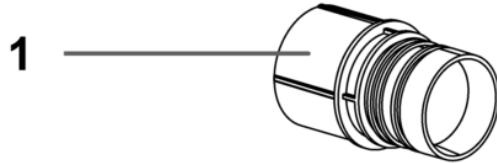
Ref. K	Part n.	Part n. 2	Description	Quantity	Validity		Price
					From	To	
0001	TBFX00586		FLEX HOSE 58 G55 X METER	2,37			--
0002	MPVR72086		SLEEVE TUBOFLEX D.58/D.50	1,00			--
0003	MPVR41815		COUPLING 99 FOR FLEX HOSE D.58/D.60	1,00			--



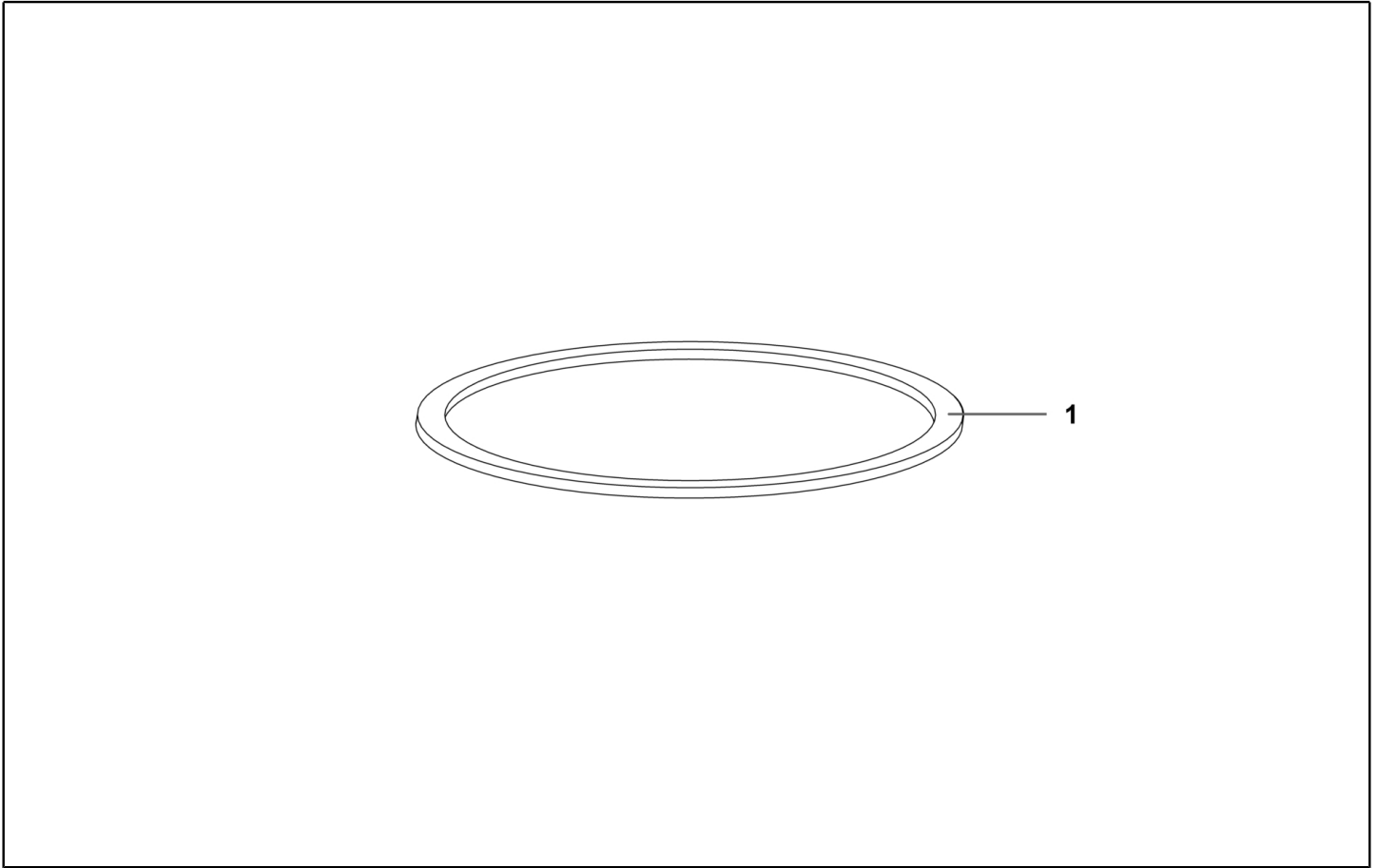
Ref. K	Part n.	Part n. 2	Description	Quantity	Validity		Price
					From	To	
0001	FTDP28755		FILTER D.145X190	1,00			--
0001	FTDP28755		FILTER D.145X190	1,00			--



Ref. K	Part n.	Part n. 2	Description	Quantity	Validity		Price
					From	To	
0001	GUVR40078		GASKET H3 DS50 W/ANTIFOAM BODY	1,00			--
0001	GUVR40078		GASKET H3 DS50 W/ANTIFOAM BODY	1,00			--



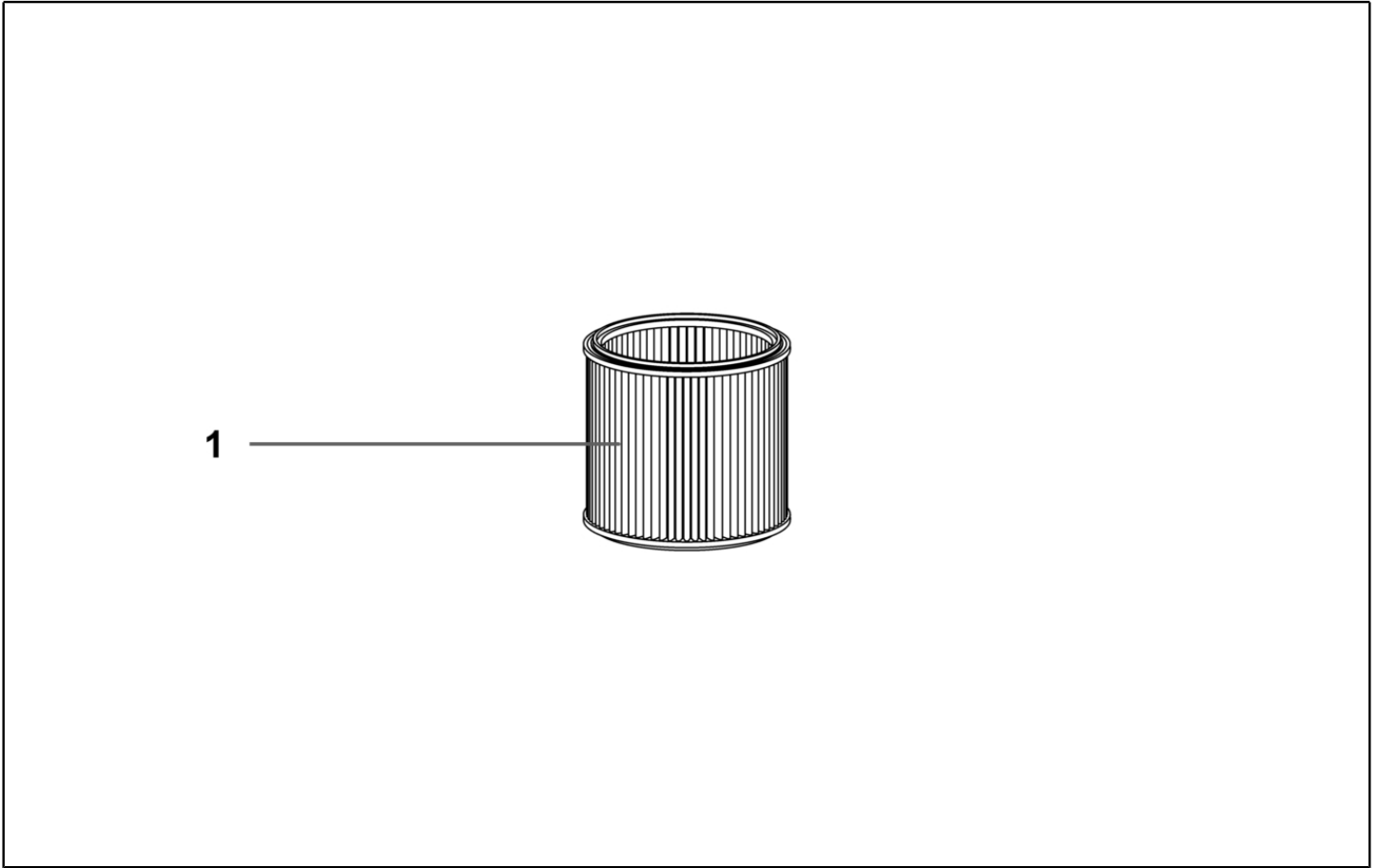
Ref. K	Part n.	Part n. 2	Description	Quantity	Validity		Price
					From	To	
0001	MPVR41815		COUPLING 99 FOR FLEX HOSE D.58/D.60	1,00			--
0001	MPVR41815		COUPLING 99 FOR FLEX HOSE D.58/D.60	1,00			--



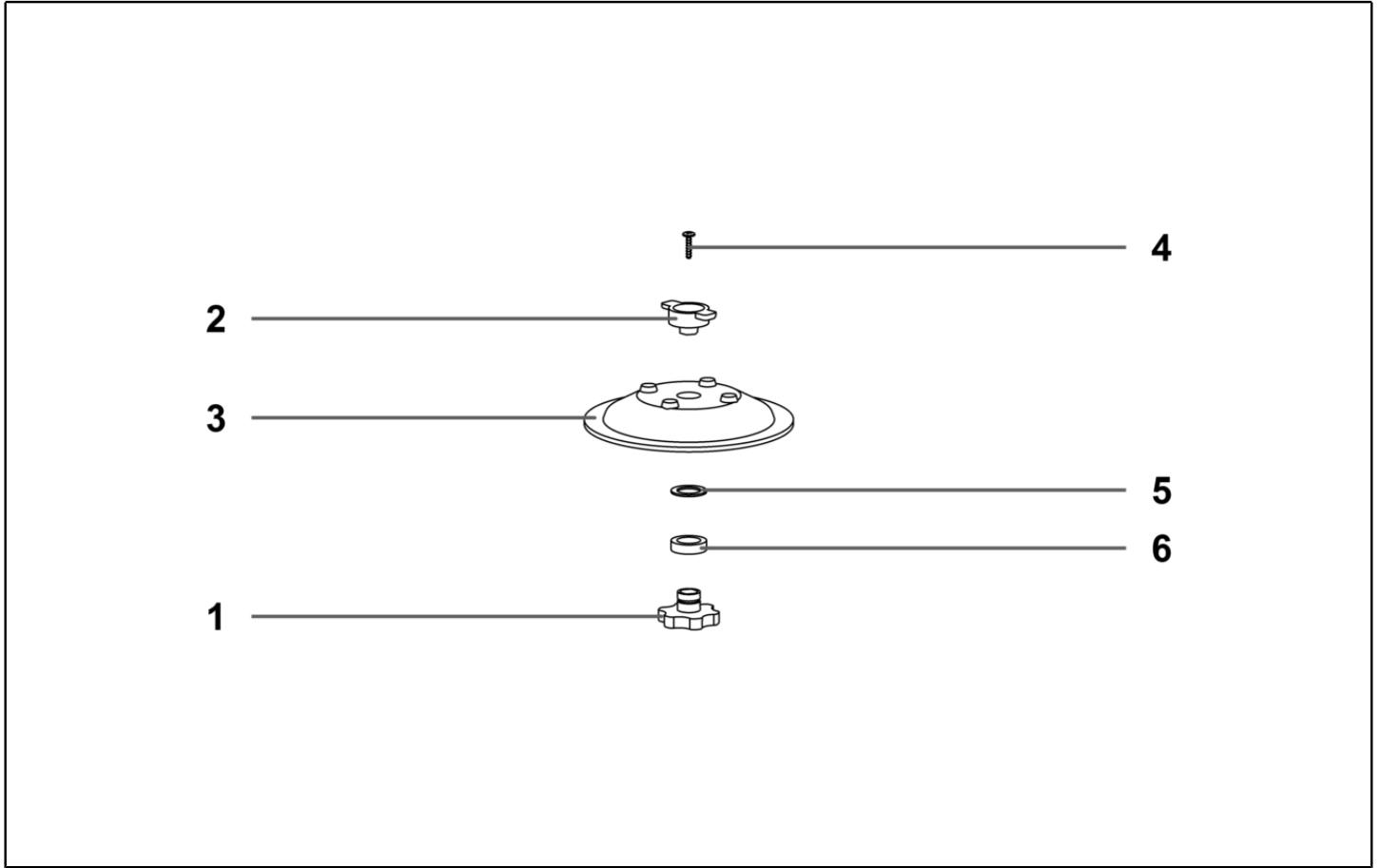
Ref. K	Part n.	Part n. 2	Description	Quantity	Validity		Price
					From	To	
0001	GUVR00425		GASKET VAC LID EPDM+NBR EDGE 37X17	1,00			--
0001	GUVR00425		GASKET VAC LID EPDM+NBR EDGE 37X17	1,00			--



Ref. K	Part n.	Part n. 2	Description	Quantity	Validity		Price
					From	To	
0001	VTVT36751		SCREW SCREW PAT TMT PHL 5X25	1,00			--
0001	VTVT36751		SCREW SCREW PAT TMT PHL 5X25	1,00			--



Ref. K	Part n.	Part n. 2	Description	Quantity	Validity		Price
					From	To	
0001	FTDP28620		PAPER CARTRIDGE D.175X145X164	1,00			--
0001	FTDP28620		PAPER CARTRIDGE D.175X145X164	1,00			--



Ref. K	Part n.	Part n. 2	Description	Quantity	Validity		Price
					From	To	
0001	MPVR07254		KNOB RAPID ATTACK	1,00			--
0002	MPVR07253		HOOKING RAPID ATTACK	1,00			--
0003	MPVR06630		DISC FILTER SUPPORT	1,00			--
0004	VTVT71961		SCREW PFU TMT PHL 5X20 ZN NERA	1,00			--
0005	VTRS00418		WASHER P.P. 30X20X1,5	1,00			--
0006	VTRS00419		WASHER SPONGE RUBBER 30X20X8	1,00			--