

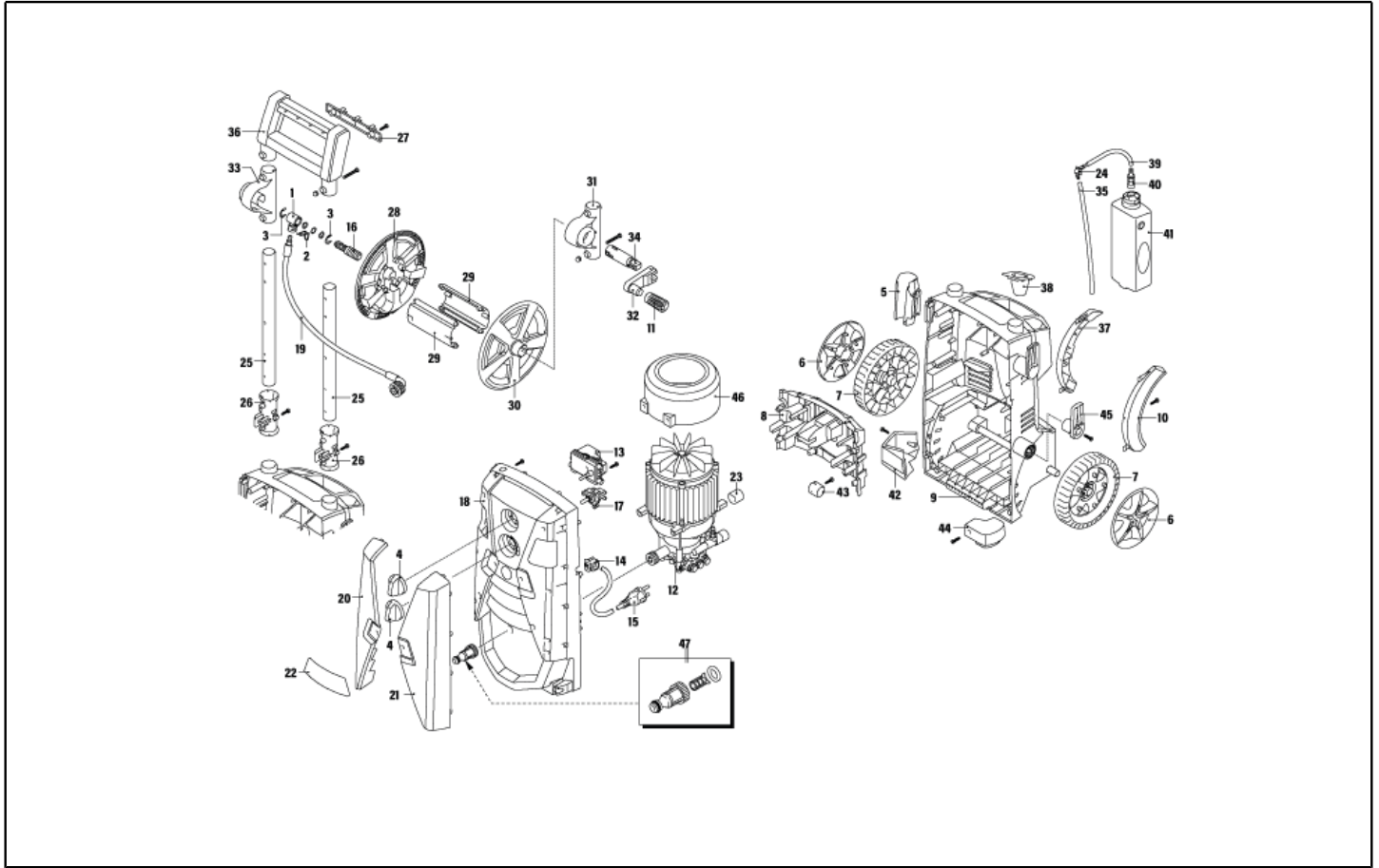


**IPC**

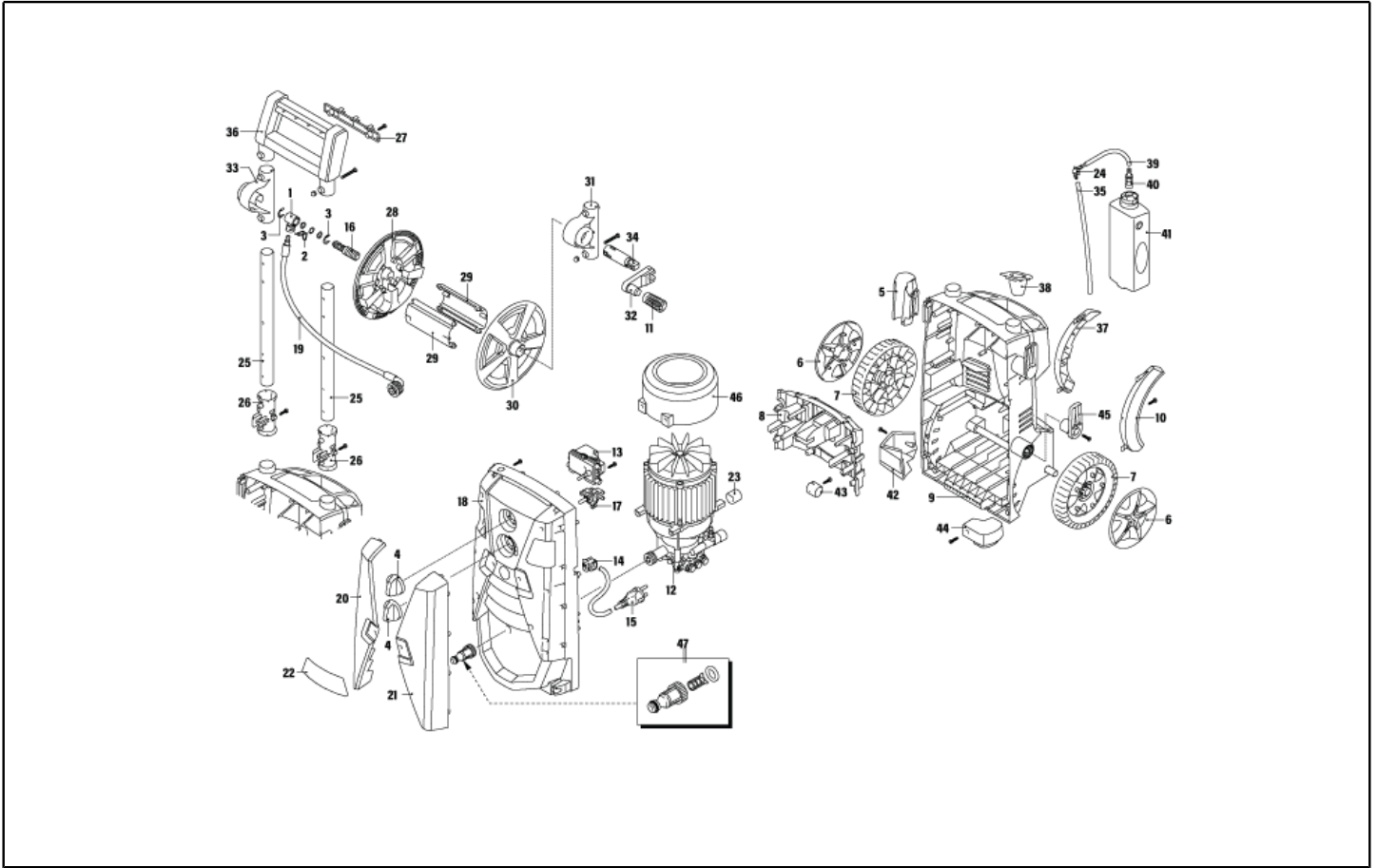
**Spare parts list**

Ref: IDAF94403

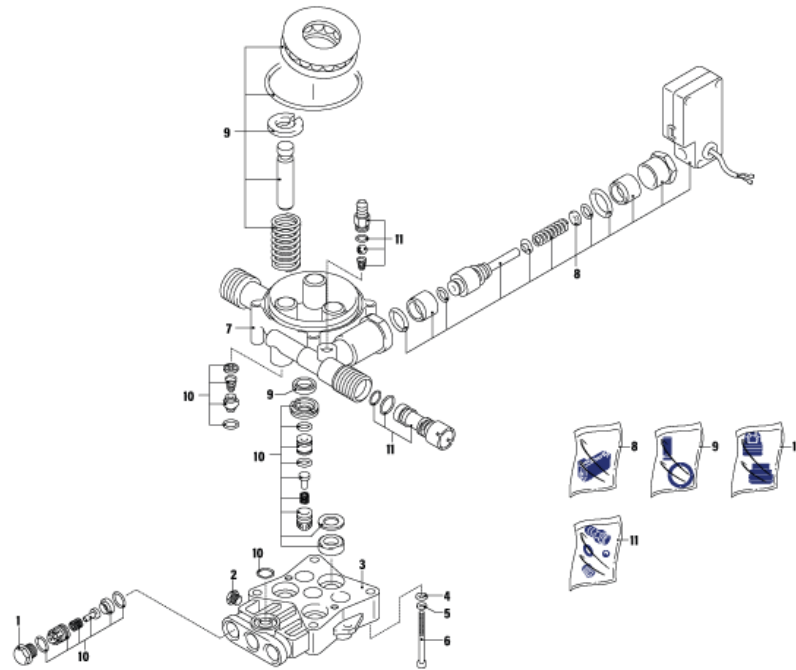
Model: H.P. CLEANER PW-C23F I1608AO 230/50 IN



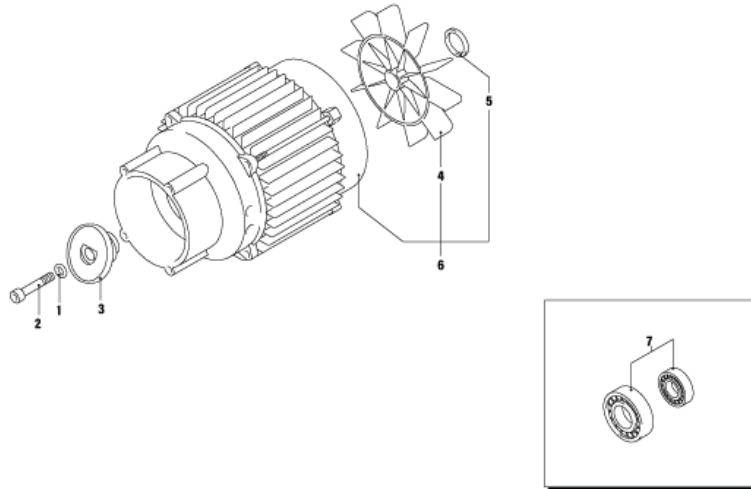
Ref. K	Part n.	Part n. 2	Description	Quantity	Validity		Price
					From	To	
0001	RCDS40308		CONNECTOR G157-C AVTB	1,00			--
0002	LAFN41239		FORK AVTB G157-C	1,00			--
0003	VTAE40012		CIRCLIP AV. G157-C	2,00			--
0004	MPVR41054		SWITCH KNOB G157-C GR.	2,00			--
0005	MPVR41055		SUPPORT G157-C SUP.BK.	1,00			--
0006	MPVR41056		HUB CAP G157-C	2,00			--
0007	RTRT40059		WHEEL D.175 G157-C	2,00			--
0008	MPVR41057		MOTOR COVER G157-C	1,00			--
0009	MPVR41058		FRAME G157-C BK	1,00			--
0010	MPVR41059		PROTECTION G157-C SX	1,00			--
0011	MPVR41060		HANDLE G157-C AVTB	1,00			--
0012	PPEL40118		GROUP G157-C 2500W 230/50 AO	1,00			--
0013	MECI40058		SWITCH G157-C	1,00			--
0014	MPVR40454		CABLE CLAMP PW-C10	1,00			--
0015	MECB40557		CABLE PVC 3X1.5 SCH.	1,00			--
0016	RCDS40309		CONNECTOR G157-C AVTB	1,00			--
0017	RCGR40026		DETERGENT TAP G157-C 1V.	1,00			--
0018	MPVR41061		GREEN COVER PW-C23F IPC	1,00			--
0019	TBAP40244		HOSE AVV. G157-C	1,00			--
0020	MPVR41062		INSERT G157-C DX BK.	1,00			--
0021	MPVR41063		INSERT G157-C SX BK.	1,00			--
0022	MPVR41064		INSERT G157-C CT BK.	1,00			--
0023	MPVR41065		RUBBER A.VIB. G157-C	1,00			--
0024	MPVR41066		CONNECTOR G157-C PL.	1,00			--
0025	LAFN41240		HANDLE TUBE G157-C	2,00			--
0026	MPVR41067		GUIDE G157-C	2,00			--
0027	MPVR41068		INSERT G157-C AC.BK.	1,00			--
0028	MPVR41069		DISC AVTB G157-C	1,00			--
0029	MPVR41070		DRUM G157-C	1,00			--
0030	MPVR41071		DISC AVTB G157-C SX	1,00			--
0031	MPVR41072		HOSE WIND.SUPP. G157-C SX	1,00			--
0032	MPVR41073		HANDLE G157-C	1,00			--
0033	MPVR41074		HOSE WIND.SUPP. G157-C DX	1,00			--
0034	MPVR41075		PIN AVTB G157-C	1,00			--
0035	TBBP40155		L.P. HOSE D. 7-10 G157-C	1,00			--
0036	MPVR41076		HANDLE G157-C BK.	1,00			--
0037	MPVR41077		PROTECTION G157-C DX	1,00			--
0038	MPVR41078		SUPPORT G157-C BK.	1,00			--
0039	TBBP40156		L.P. HOSE D. 7-10 G157-C/2	1,00			--
0040	FTDT40004		FILTER PG. D.6/8 PLS	1,00			--
0041	MPVR41079		TANK G157-C	1,00			--
0042	MPVR41080		SUPPORT G157-C INF.BK.	1,00			--
0043	MPVR41081		LEVER G157-C GR.	1,00			--
0044	MPVR41082		FOOT G157-C	1,00			--



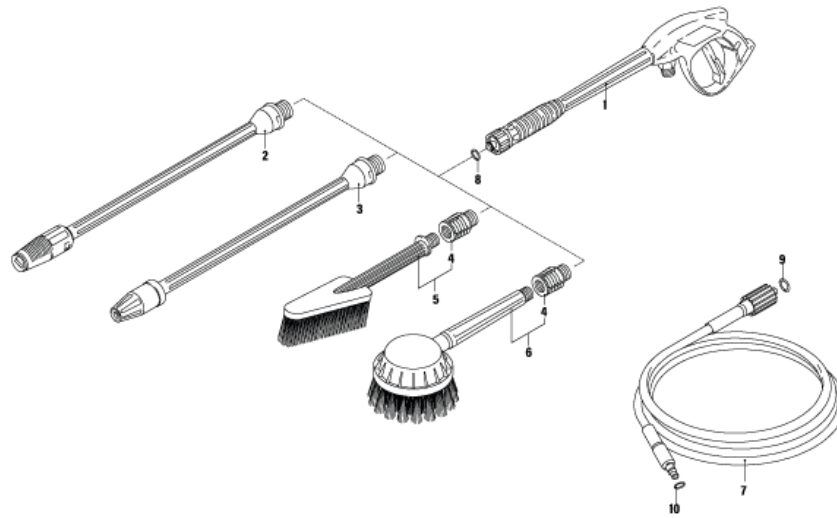
Ref. K	Part n.	Part n. 2	Description	Quantity	Validity		Price
					From	To	
0045	MPVR41083		HOOK G157-C GR.	1,00			--
0046	MPVR41084		FAN COVER G157-C	1,00			--
0047	RCVR40103		SOCKET C10 3/4 F +FILT.	1,00			--



Ref. K	Part n.	Part n. 2	Description	Quantity	Validity		Price
					From	To	
0001	PVVR40354		CAP C23	3,00			--
0002	PVVR40355		SCREW M 6X 8 TCB-C	1,00			--
0003	MFVR40055		HEAD AR C23 AL	1,00			--
0004	VTRS00503		WASHER D. 6 UNI 6798	4,00			--
0005	VTRS01077		WASHER D. 6,4X10X0,7	4,00			--
0006	VTVT63032		SCREW TCEI M 6X70 ZN	4,00			--
0007	MFVR40056		PUMP CRANKCASE AR C23	1,00			--
0008	MEPF40055		PRESSURE SWITCH AR TSS G157	1,00			--
0009	KTRI40562		KIT P 15-514 PISTON+SEAL G157	1,00			--
0010	KTRI40563		KIT P 15-515 G157	1,00			--
0011	KTRI40564		KIT P 15-516 G157	1,00			--



Ref. K	Part n.	Part n. 2	Description	Quantity	Validity		Price
					From	To	
0001	VTRS01077		WASHER D. 6,4X10X0,7	1,00			--
0002	VTVT09913		SCREW TCEI 6X16 UNI5931	1,00			--
0003	PVVR40360		CAP G151	1,00			--
0004	VEVR40011		IMPELLER C23	1,00			--
0005	VTVR40046		RING C23	1,00			--
0006	MOMO40086		1PH MOTOR AR157 KW 2.5 230-50 AR	1,00			--
0007	KTRI40296		KIT P 15-43056 BEARING AR	1,00			--



Ref. K	Part n.	Part n. 2	Description	Quantity	Validity		Price
					From	To	
0001	IPPR40028		GUN BIT +P270	1,00			--
0002	LCPR40190		LANCE M.REG P 350 +M22 D.1,1	1,00			--
0003	LCPR40188		LANCE R.POWER P 350 +M22 D.1.12	1,00			--
0004	MPVR40500		ADAPTER M22x1,5 X SPAZZOLA	2,00			--
0005	SPID40019		BRUSH FISSA AR	1,00			--
0006	SPID40018		BRUSH AR ROT.	1,00			--
0007	TBAP40246		H.P. HOSE SAE MT 10 1/ 4 -1IRV	1,00			--
0008	GUGO10525		O-RING D. 9.3 X 2.4 NBR 70SH	1,00			--
0009	GUGO40106		O-RING D. 10 X 2.5 NBR 70SH	1,00			--
0010	GUGO08071		O-RING D. 4.48 X 1.78 NBR 70SH	1,00			--