

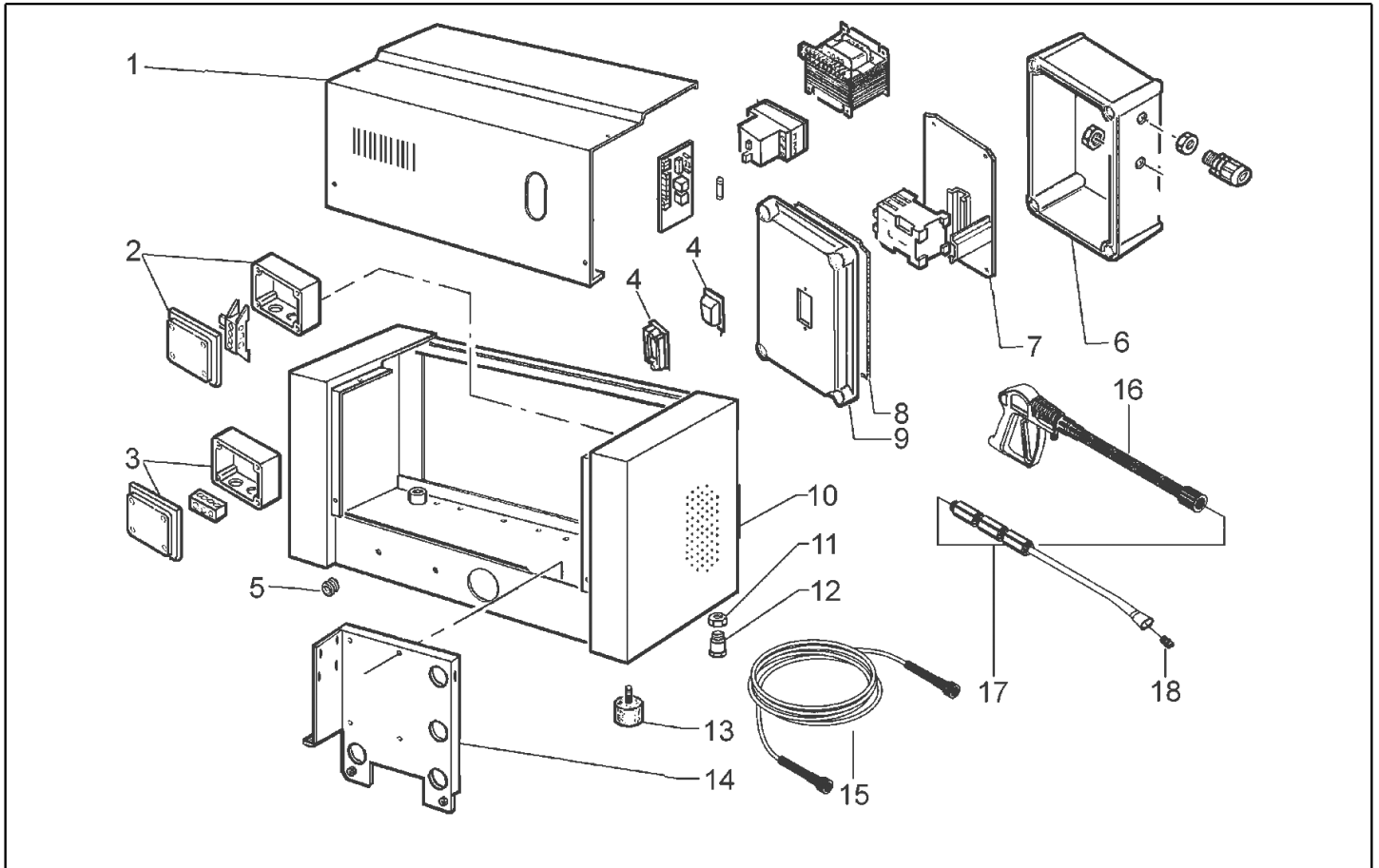


IPC

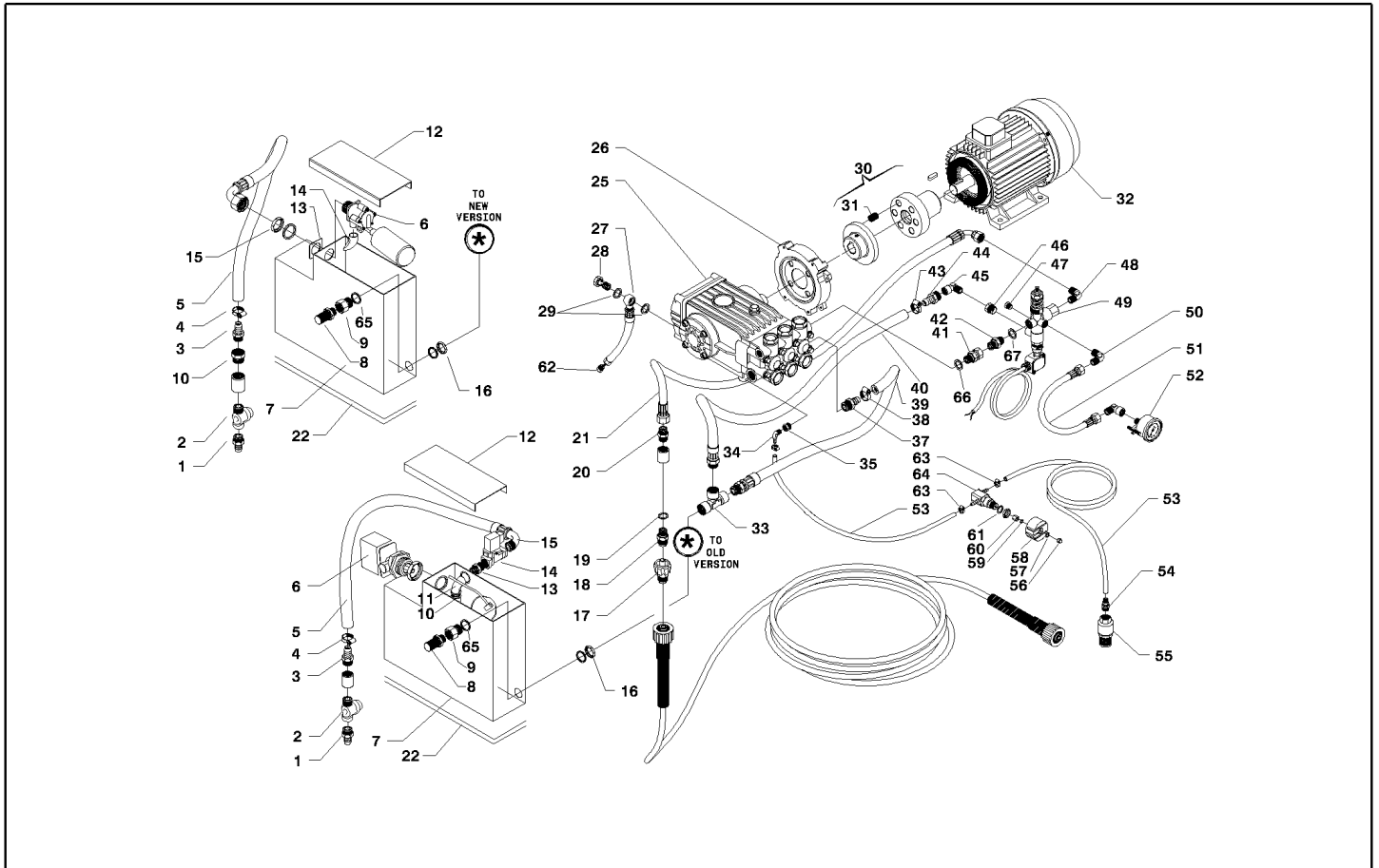
Spare parts list

Ref: IDAF40039

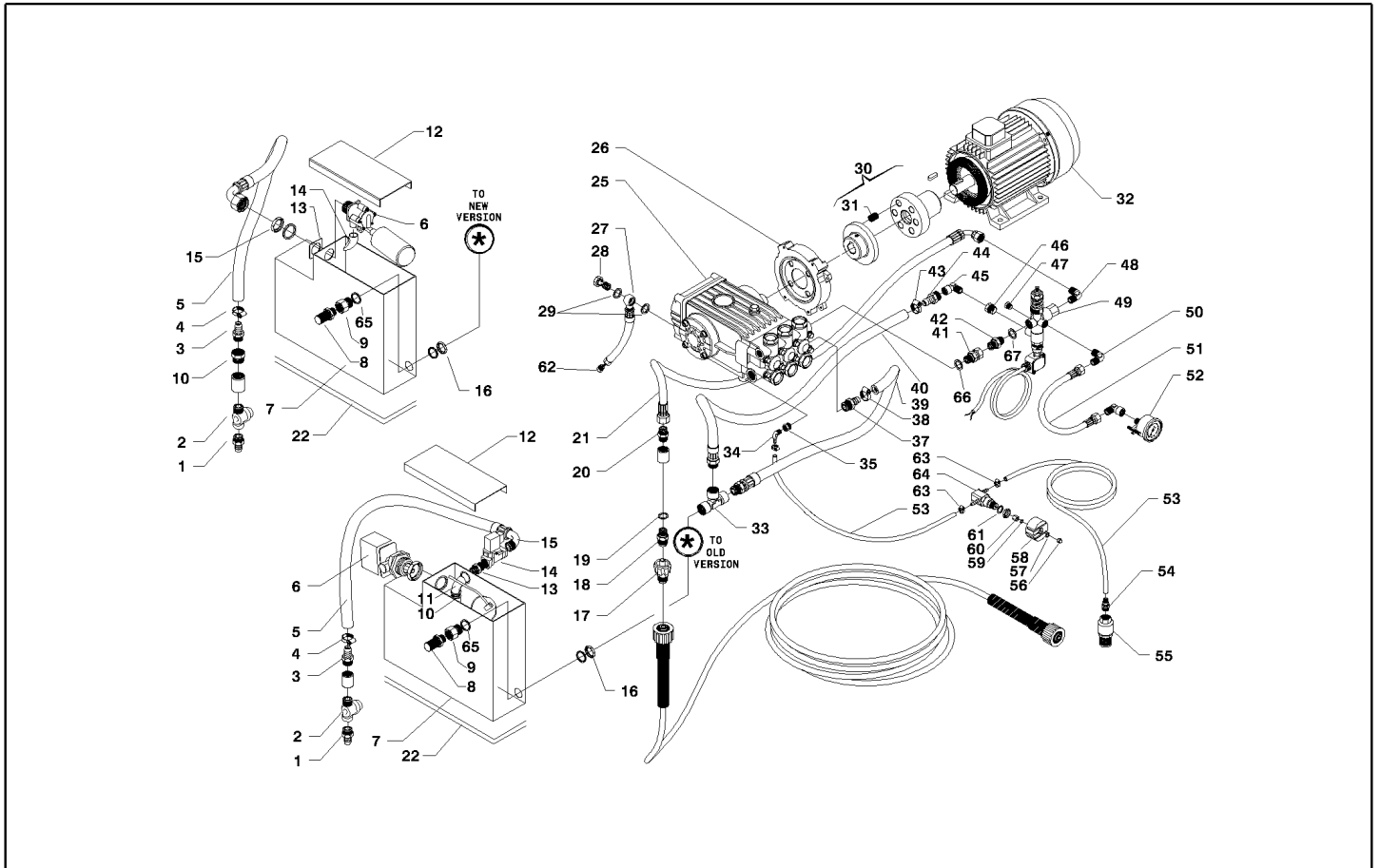
Model: H.P. CLEANER SML30.150 TST 230/50 FOM



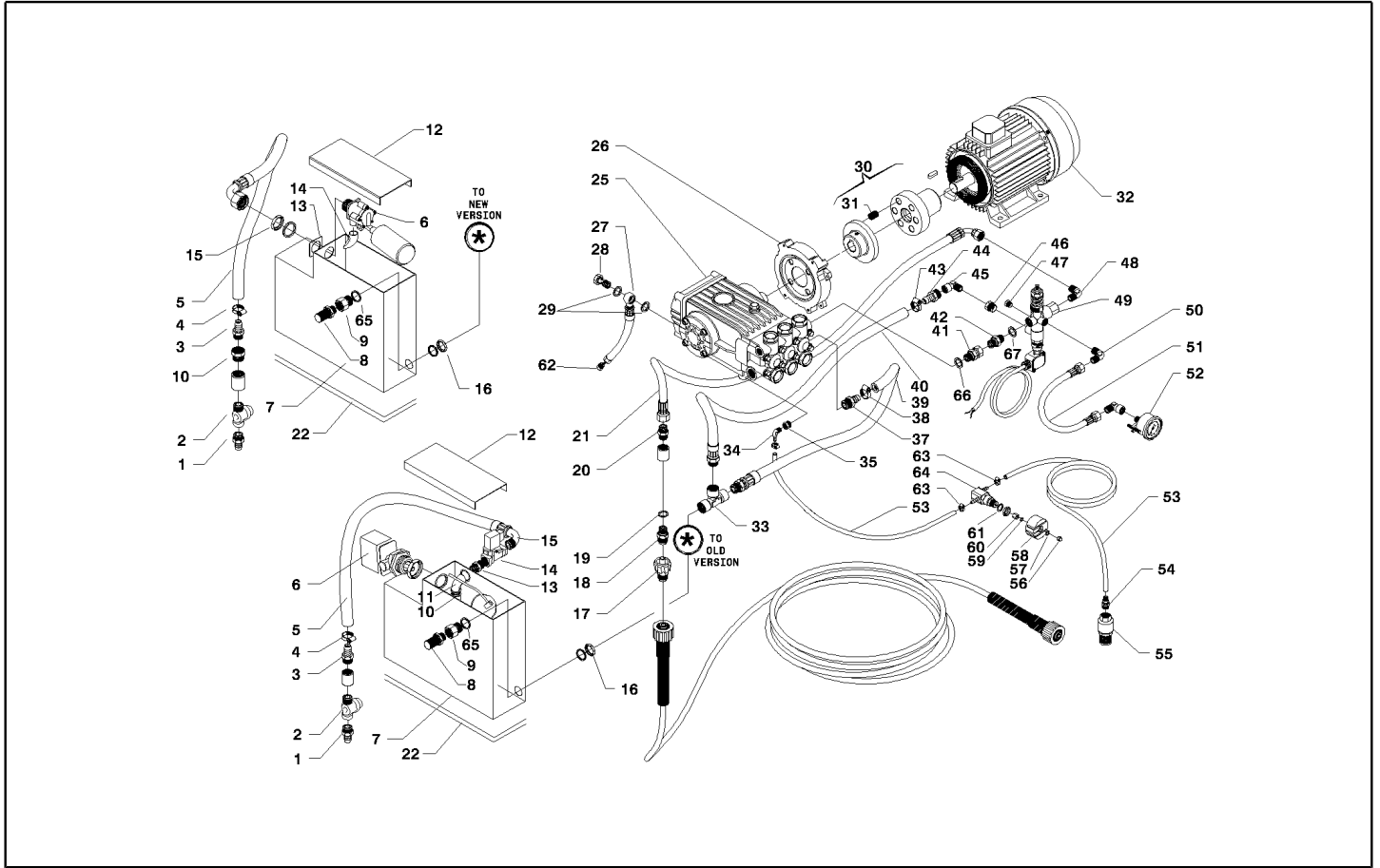
Ref. K	Part n.	Customer part n.	Description	Quantity	Validity		Price
					From	To	
0001	LAFN73843	00073843	ANT. PANEL MDS INX 30/100	1,00			--
0002	MEVR71533	00071533	BOX 120X80X50	1,00			--
0003	MEVR71533	00071533	BOX 120X80X50	1,00			--
0005	MEVR72910	00072910	FAIR-LEAD D.9x18x21 (S518)	1,00			--
0006	MEVR71752	00071752	BOX NICO	1,00			--
0008	GLVR71755	00071755	GASKET QUADRO EL.SK	1,00			--
0009	MEVR40010		COVER NICO C/F. SML	1,00	25/10/2007		--
0009	MEVR71753	00071753	COVER NICO	1,00		24/10/2007	--
0010	LAFN73842	00073842		1,00			--
0011	MEVR87377	00087377	LOCKNUT PG 16 BK	1,00			--
0012	MEVR87382	00087382	FAIR-LEAD PG 16 SC BK	1,00			--
0013	ABGO76326	00076326	VIBRATION DAMP. CL.40X30-M10X23+M10F 60SH	4,00			--
0014	LAFN73845	00073845	BOX SUPPORT MDS INX 30/100	1,00			--
0015	TBAP40010		H.P. HOSE R2 MT 10 3/ 8" C/2 IRV IX	1,00			--
0016	IPPR40010		GRIP G 5100+P.330 +M22 SW.M V	1,00	16/04/2014		--
0016	IPPR89429		GRIP G 4500 - P.330 -M22SW.M V	1,00		15/04/2014	--
0017	LCPR12976	00012976	EXTENSION P 70	1,00			--
0018	UGLN75188	00075188	LANCE NOZZLE SPS 1/4 2512	1,00			--



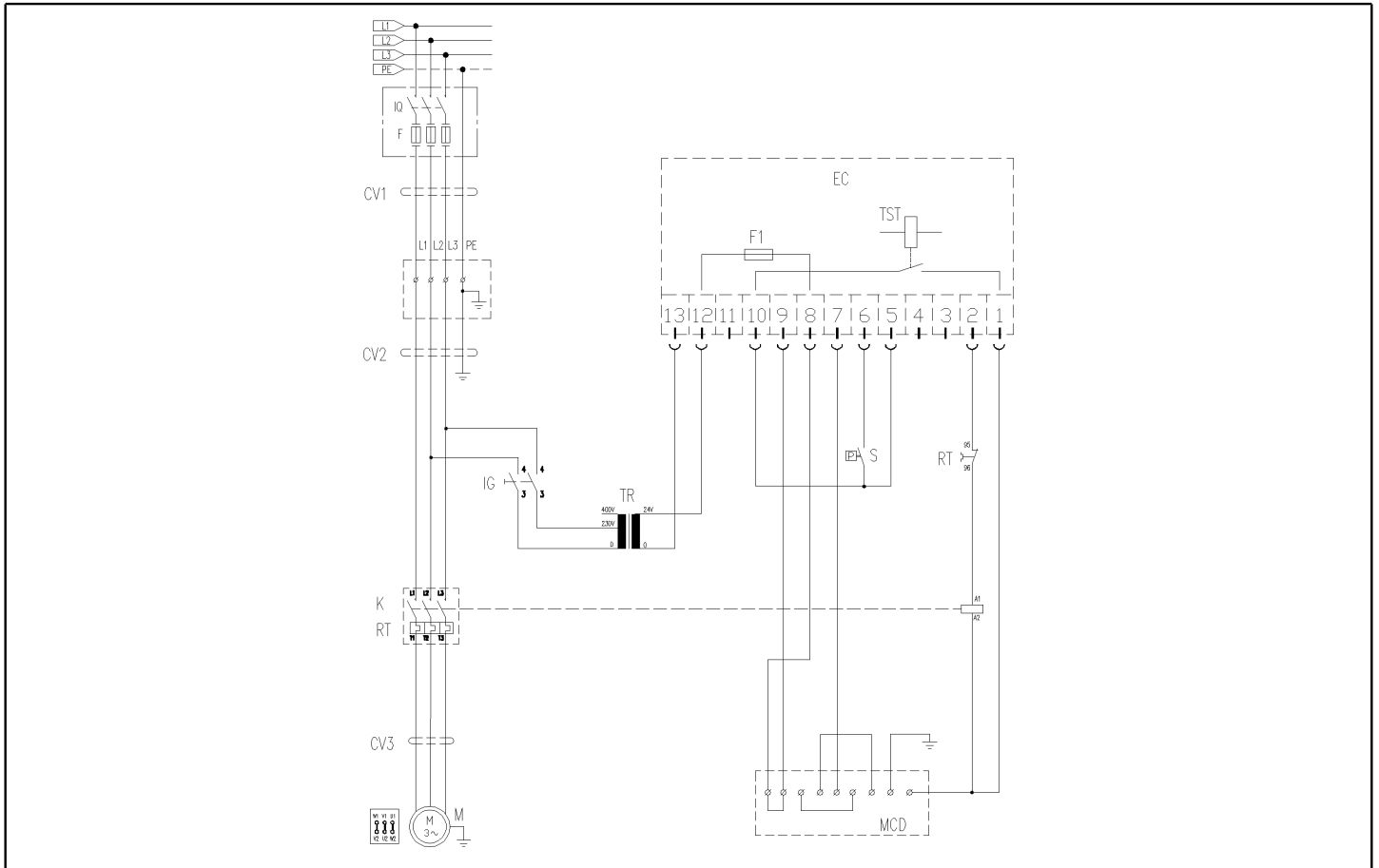
Ref. K	Part n.	Customer part n.	Description	Quantity	Validity		Price
					From	To	
0001	RCDS73006	00073006	HOSE FITTING M 3/4" D.20	1,00			--
0002	FTAC72444	00072444	WATER FILTER 3/4" M/F 41 LT	1,00			--
0003	S RCVR73008	00073008	HOSE FITTING 1/2 D.17 454/A	1,00	10/10/2005		--
0003	RCDS00602	00000602	NIPPLE 3/4 - 1/2 CN D.13.5	1,00	10/10/2005		--
0004	S FSVR00431	00000431	CLAMP D. 16-25	2,00	10/10/2005		--
0005	TBBP87602	00087602	L.P. HOSE L=350 3/4F 90°-LB.	2,00			--
0006	RCGR39997	00039997	FLOATER MTM 3/4G M 10BAR	2,00			--
0007	LAFN89445		WATER TANK SML INX	1,00			--
0010	RCVR49974	00049974	RING NUT 3/4" X 4 NIK	2,00			--
0012	LAFN89448		TANK COVER SML INX	1,00			--
0013	RCDS48463	00048463	HOSE FITTING 1/2 M D.10-16 OT	2,00	10/10/2005		--
0014	RCVR89482		CONNECTOR Y 1/2 F OT.	1,00	10/10/2005		--
0015	RCVR72828	00072828	ELBOW	2,00		19/07/2007	--
0017	RCIN72805	00072805	SCREW CLUTCH F 3/8 M	1,00		14/03/2007	--
0018	RCIN09348	00009348	MALE COUPLING 3/8MA L=32	1,00	15/03/2007		--
0018	RCIN73013	00073013	SCREW CLUTCH M 3/8M	1,00		14/03/2007	--
0019	VTRS00548	00000548	WASHER D.17,5X23X1,5 (3/8)RM	1,00			--
0020	RCDS12121	00012121	NIPPLE 3/8 - 3/8 SV/CN	1,00			--
0022	GUGO27129	00027129	JOINT 10X3	0,30			--
0025	PPAP88776		PUMP W 2030 DX LT 30 -200 BAR	1,00			--
0026	MFVR74067	00074067	FLANGE H132 HP10-12 NC	1,00			--
0027	TBBP48183	00048183	L.P. HOSE L= 350 1/4OC.- 3/8F 0°	1,00			--
0028	RCDS02612	00002612	SCREW G 1/4 A.P.	1,00			--
0028	RCDS02612	00002612	SCREW G 1/4 A.P.	1,00			--
0029	VTRS04931	00004931	WASHER COPPER D.13X19X1.5	2,00			--
0029	VTRS04931	00004931	WASHER COPPER D.13X19X1.5	2,00			--
0030	FGGT87320	00087320	FLEX. COUPLING IP WS 202 HP12-15(24x38)	1,00			--
0031	FGGT04612	00004612	BUSHING IP	6,00			--
0032	MOTR87319	00087319	3PH MOTOR HP 12 230/400V 50HZ GT.	1,00			--
0037	RCDS73006	00073006	HOSE FITTING M 3/4" D.20	1,00			--
0041	RCVR00563	00000563	SWIVEL RACCORD 3/8 M/F	1,00			--
0047	RCVR00659	00000659	CAP 1/4 M	2,00			--
0047	VTRS04931	00004931	WASHER COPPER D.13X19X1.5	2,00			--
0049	VVAZ87716	00087716	VALVE ST 261 - SWITCH N.A.	1,00			--
0052	MNMN49621	00049621	PRESSURE GAUGE 0-250 D.50 INOX	1,00	24/03/2007		--
0053	TBBP85832	00085832	L.P. HOSE D. 5- 8	2,40			--
0054	RCIN40585	00040585	CONNECTOR DTT 3/8" M C1 D. 6/8 NIK	1,00			--
0055	VVSF40586	00040586	VALVE MHDS	1,00			--
0056	VTDD14407	00014407	NUT M 5 INX A2	1,00	17/07/2004		--
0056	VTDD76273	00076273	NUT M5 (002D)	1,00		16/07/2004	--
0057	VTRS03590	00003590	WASHER D. 5.3X9X0.6	1,00			--
0058	MPVR40584	00040584	KNOB	1,00			--
0059	VTRS01079	00001079	WASHER D. 6 GROWER	1,00			--
0060	MPVR74070	00074070	INSERT FOR STEAM CRANK	1,00			--



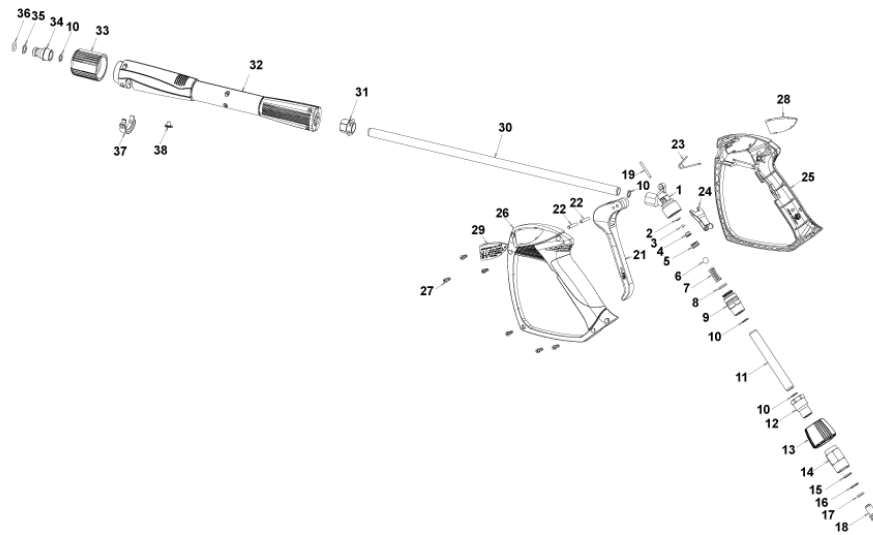
Ref. K	Part n.	Customer part n.	Description	Quantity	Validity		Price
					From	To	
0061	VTRS26922	00026922	WASHER D.14 X 22 X 1.2 SCHNORR	1,00			--
0062	GUGO01035	00001035	O-RING D. 13.95 X 2.62 NBR 70SH	1,00			--
0062	RCDS28310	00028310	CAP 3/8 M PLS	1,00			--
0063	FSVR72800	00072800	CLAMP D 8.3 - 8.8	2,00			--
0064	RCGR40583	00040583	DETERGENT TAP	1,00			--



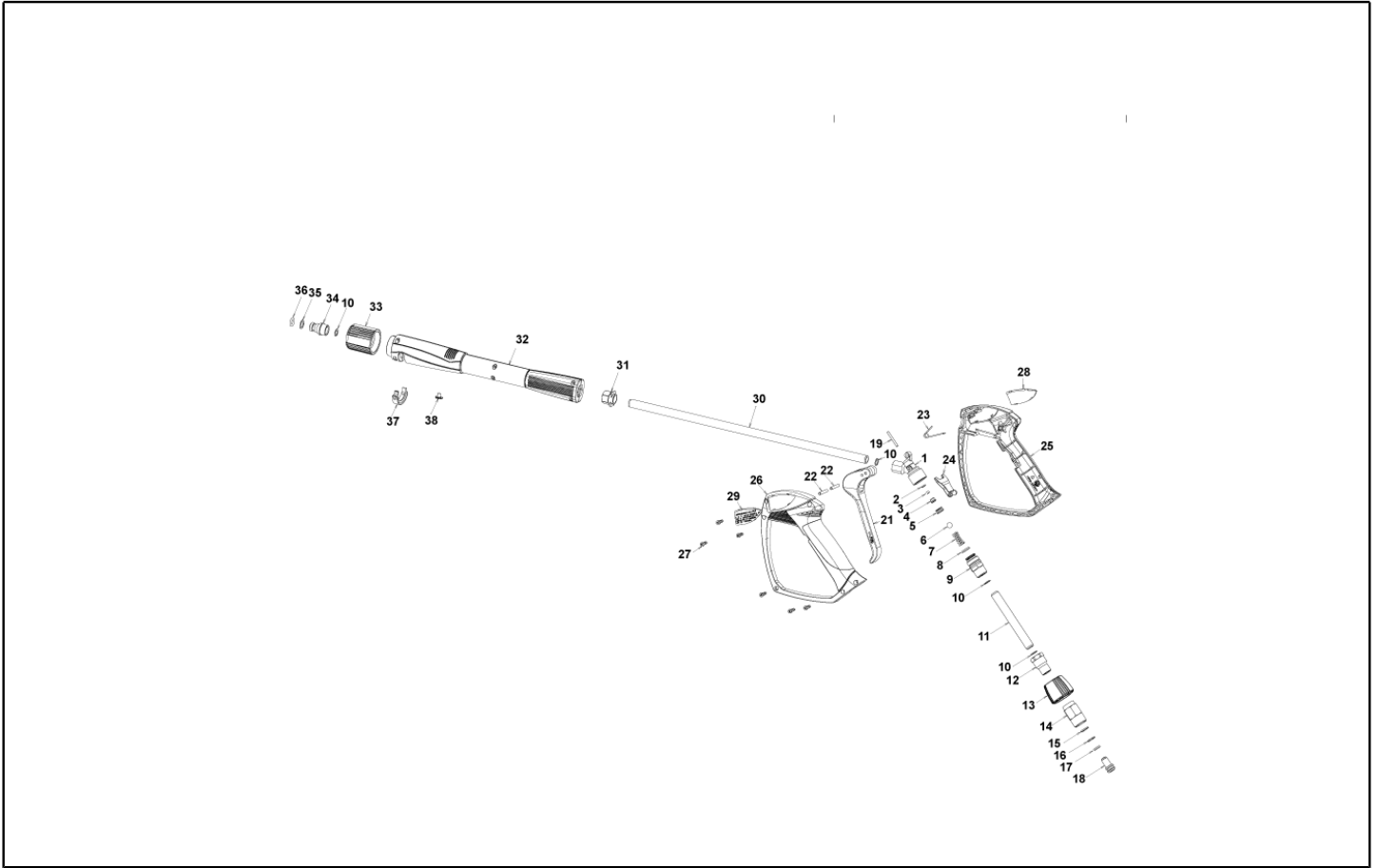
Ref. Part n.	Cust. part n.	Description	Reference	Price
9999 KTRI89634		KIT PX 1- 27 SML 20LT	0003 0004 0005 0006 0010 0013 0014	--



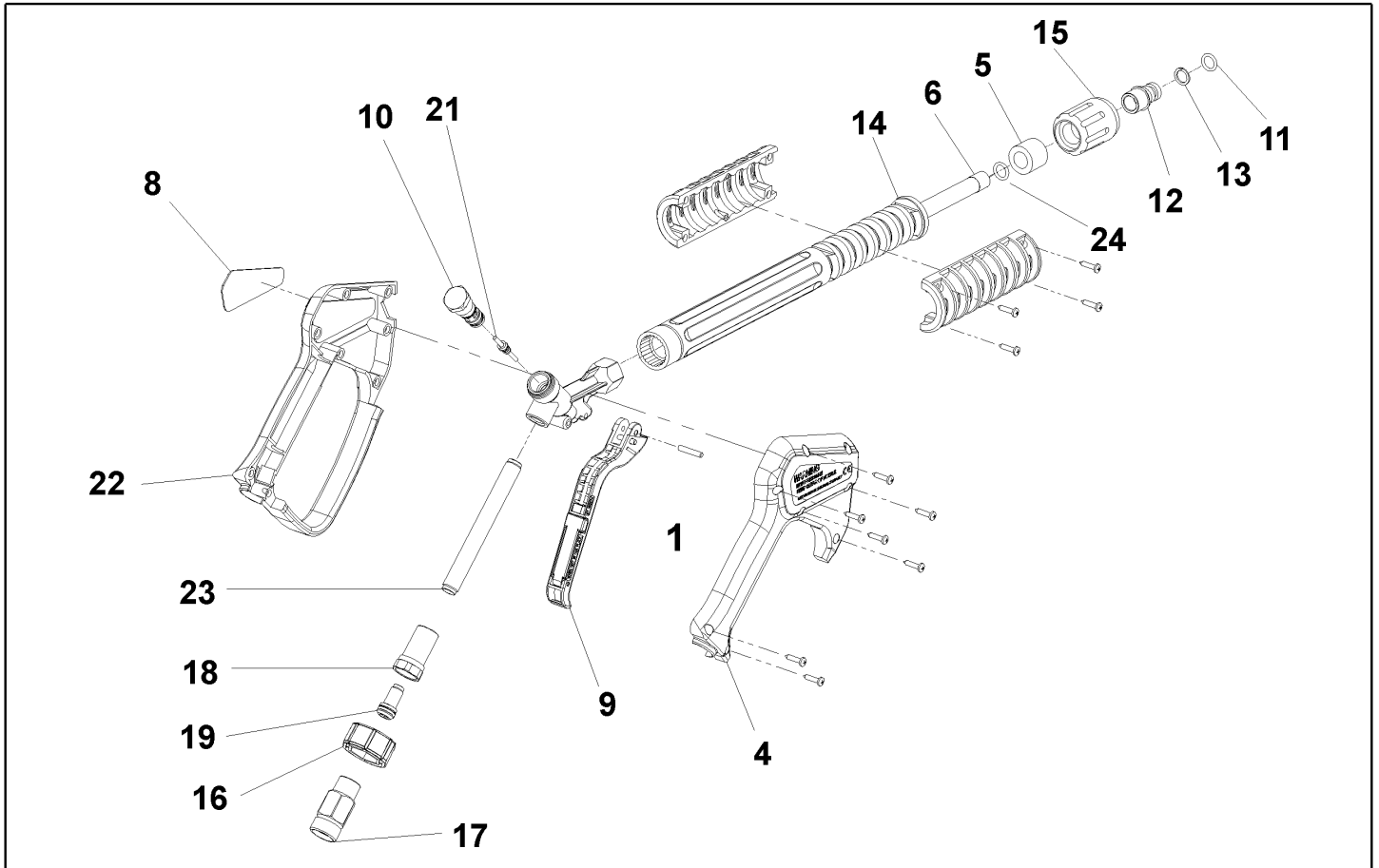
Ref. K	Part n.	Customer part n.	Description	Quantity	Validity		Price
					From	To	
K	METT40001		CONTACTOR MOE DILM 32.10.24 5/60HZ	1,00	15/01/2008	31/10/2014	--
K	METT40025		CONTACTOR SIE 3RT 2027-1AC20 24V	1,00	01/11/2014		--
K	METT85957		CONTACTOR ALLEN-BRADLEY 24V-50/60	1,00		14/01/2008	--
S	MEPF87717	00087717	PRESSURE SWITCH ST 261 N.A.	1,00			--
EC	MECE41579	00041579	PCB MDS T-ST.	1,00			--
F1	MEVR35744	00035744	FUSE 5X20 T 2,5A	1,00			--
GA	MECI88055	00088055	FLOATER G3/4 ELEC. P/SML	1,00		09/10/2005	--
IG	MECI40628	00040628	SWITCH BR 0-1 VRD	1,00		17/05/2006	--
IG	MECI89982		SWITCH RMQ 0-1 GR.	1,00	18/05/2006		--
RT	METT40000		THERMAL RELAY EL. E1 PLUS RCK193-EEFD	1,00	01/09/2007	19/09/2007	--
RT	METT40002		THERMAL RELAY MOE ZB32-32 24-32 A	1,00	15/01/2008	31/10/2014	--
RT	METT40041		THERMAL RELAY SIE 3RU2126-4EB0 27-32 A	1,00	01/11/2014		--
RT	METT85958		THERMAL RELAY ALLEN-BRADLEY 12 -37 A	1,00		31/08/2007	--
RT	METT85958		THERMAL RELAY ALLEN-BRADLEY 12 -37 A	1,00	20/09/2007	14/01/2008	--
TR	METR41580	00041580	TRANSFORMER 50VA 400-230/50V	1,00			--
EVA	MEEV72458	00072458	SOLENOID VALVE 1/2 "SIRAI" WATER	1,00		09/10/2005	--
9999	MEVR89979		ADAPTER RMQ 3 EL.	1,00	18/05/2006		--
9999	MELF89978		LED GR. M22-LED-G	1,00	18/05/2006	07/06/2006	--
9999	MECI04207	00004207	CONTACT V50 BR T2010 N	2,00		17/05/2006	--
9999	MECI89983		CONTACT RMQ-TN NA	2,00	18/05/2006		--



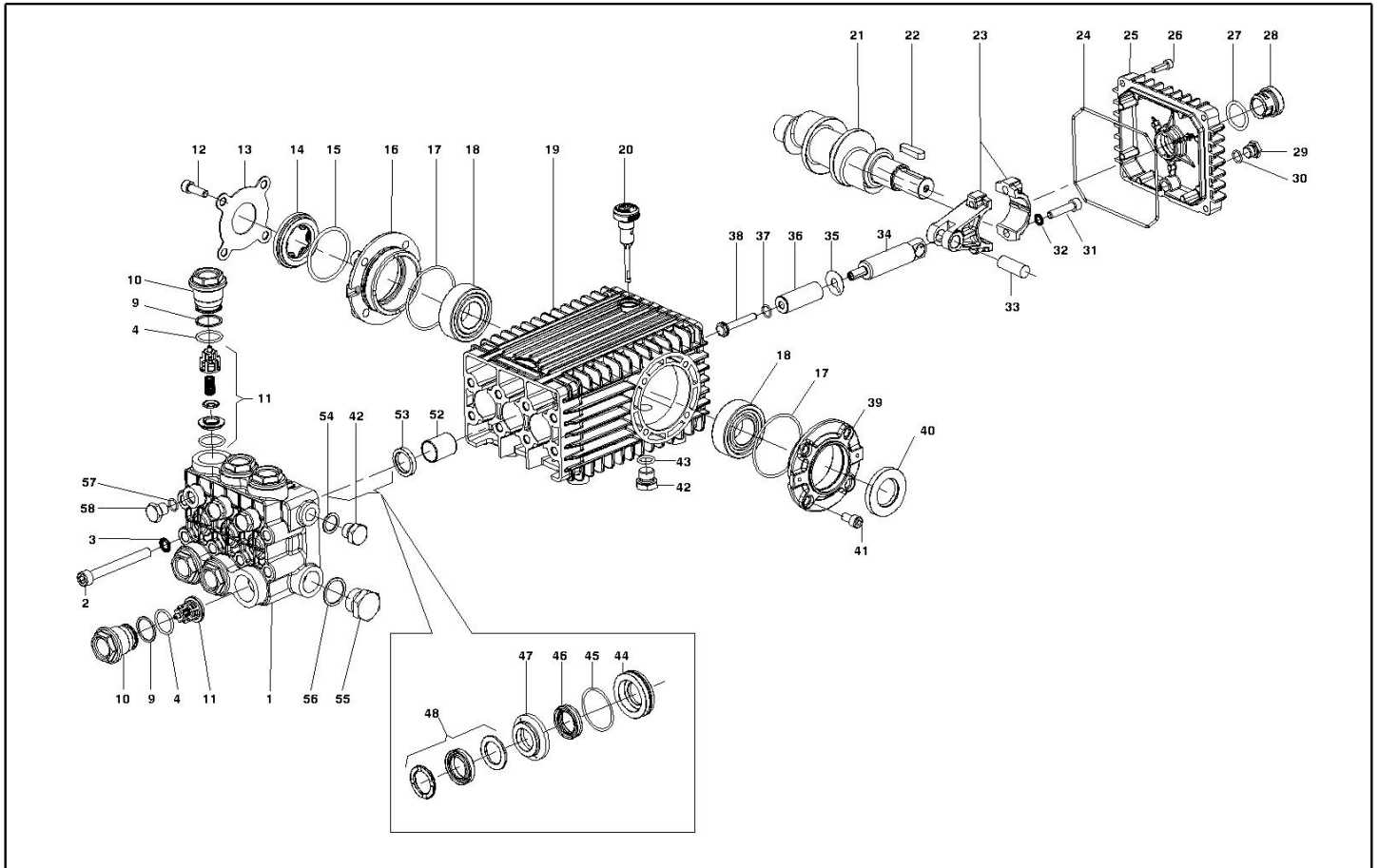
Ref. K	Part n.	Customer part n.	Description	Quantity	Validity		Price
					From	To	
0001	PVVR40381		GUN BODY G 5100 G1/4F	1,00			--
0002	S GUVR40074		ANTI-EXTR.RING D. 3 X 7.4X1.3	1,00			--
0003	S GUGO21835	00021835	O-RING D. 2.84 X 2.62 VIT. 80SH	1,00			--
0004	PVVR40382		PISTON GUIDE G 5100	1,00			--
0005	S PVVR40112		BALL SEAT G 5000	1,00			--
0006	S SFVR27026	00027026	BALL D.11/32" INX	1,00			--
0007	MLML40016		SPRING D. 9.4 x21.5x1.6 G5000	1,00			--
0008	GUGO12322	00012322	O-RING D. 14 X 1.78 NBR 90SH	1,00			--
0009	PVVR40383		CONNECTOR COLL.G5100 1/4F	1,00			--
0010	VTRS40017		WASHER D. 8.2X11,4X1.00	4,00			--
0011	PVVR40384		TUBE G 1/4" L.105	1,00			--
0012	RCIN40022		CONNECTOR SWIV G5100 1/4F	1,00			--
0013	MPVR40486		RING NUT G 5100 SW. GR.	1,00			--
0014	RCIN40021		JOINT SWIV 5100 M22	1,00			--
0015	S GUVR40075		ANTI-EXTR.RING D. 10 X14X1.5	1,00			--
0016	S GUVR40076		ANTI-EXTR.RING D. 11.2X14X1.2	1,00			--
0017	S GUGO15295	00015295	O-RING D. 10.82 X 1.78 VIT 80SH	1,00			--
0018	PVVR40386		SCREW SW. G 5100	1,00			--
0019	PVVR40387		SMALL PISTON G 5100	1,00			--
0021	MPVR40487		TRIGGER G 5100-SW	1,00			--
0022	VTVR40047		PLUG D. 4X29	2,00			--
0023	MLML40029		SPRING G 5100	1,00			--
0024	MPVR40488		SAFETY-DEVICE G 5100-SW	1,00			--
0025	MPVR40489		SHELL G 5100-SW DX	1,00			--
0026	MPVR40490		SHELL G 5100-SW SX	1,00			--
0027	VTVT40043		SCREW AF 4X 14 HILO ZN.N	6,00			--
0028	MPVR40491		PLATE G 5100 GR.DX	1,00			--
0029	MPVR40492		PLATE G 5100 GR.SX	1,00			--
0030	LCPR40086		TUBE 1/4 L=420 ZC. 0°	1,00			--
0031	MPVR40493		CONNECTOR G 5100-SW	1,00			--
0032	MPVR40494		PROTECTION P 420 C/AN.	1,00			--
0033	PVVR40119		CONNECTION M22X1.5 IRV G5000	1,00			--
0034	RCIN40009		GUDGEON G 1/4 F IRV G5000	1,00			--
0035	GUVR40034		ANTI-EXTR.RING D. 10 X14	1,00			--
0036	GUGO01946	00001946	O-RING D. 9.13 X 2.62 VIT 70SH	1,00			--
0037	MPVR40495		CAP G 5100 REM.	1,00			--
0038	MPVR40198		CAP G 5000	1,00			--



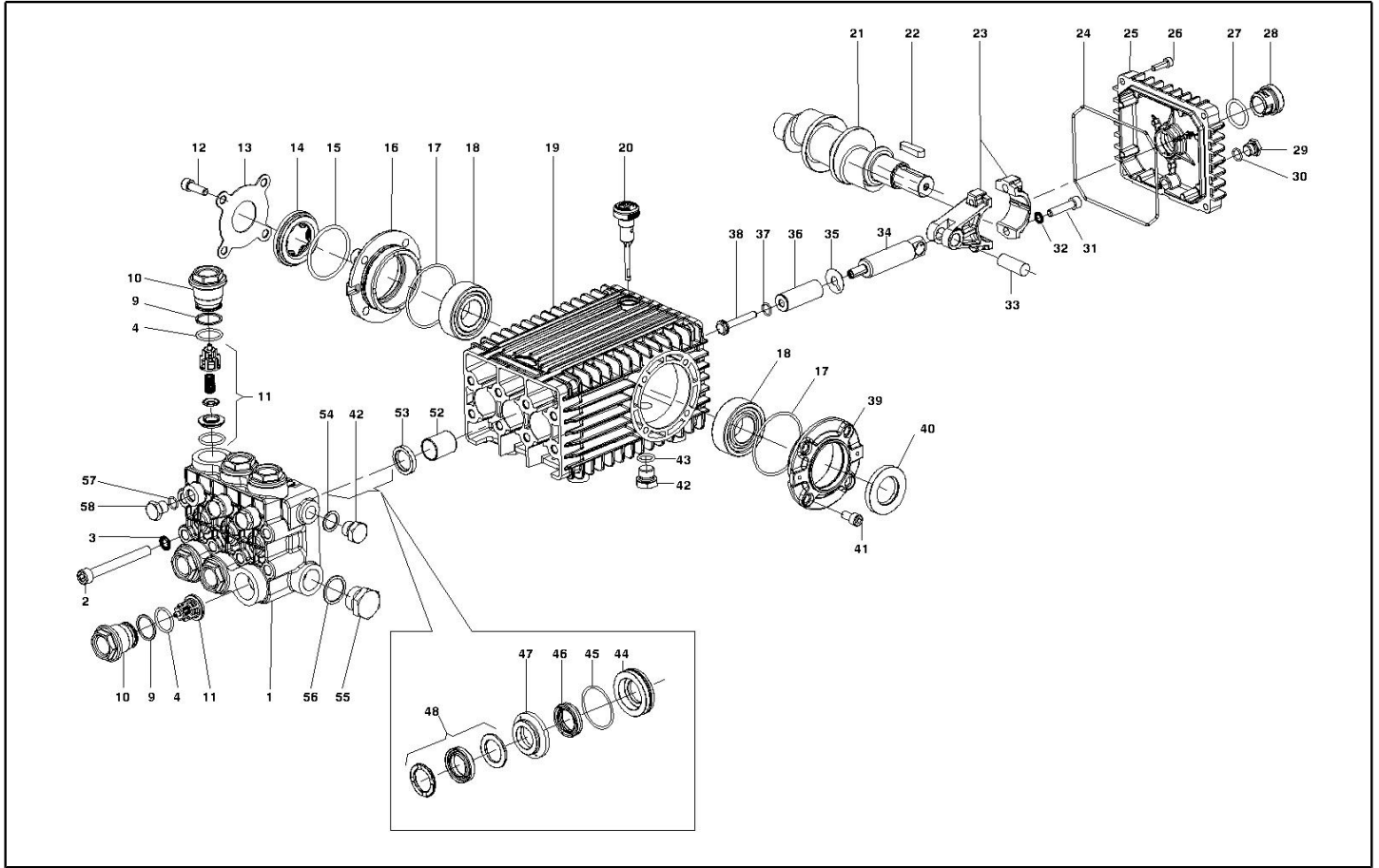
Ref. Part n.	Cust. part n.	Description	Reference	Price
KTRI40242		KIT P 26- 25 G 5100	0002 0003 0005 0006	--
KTRI40243		KIT P 26- 26 SWIVEL G 5100	0015 0016 0017	--



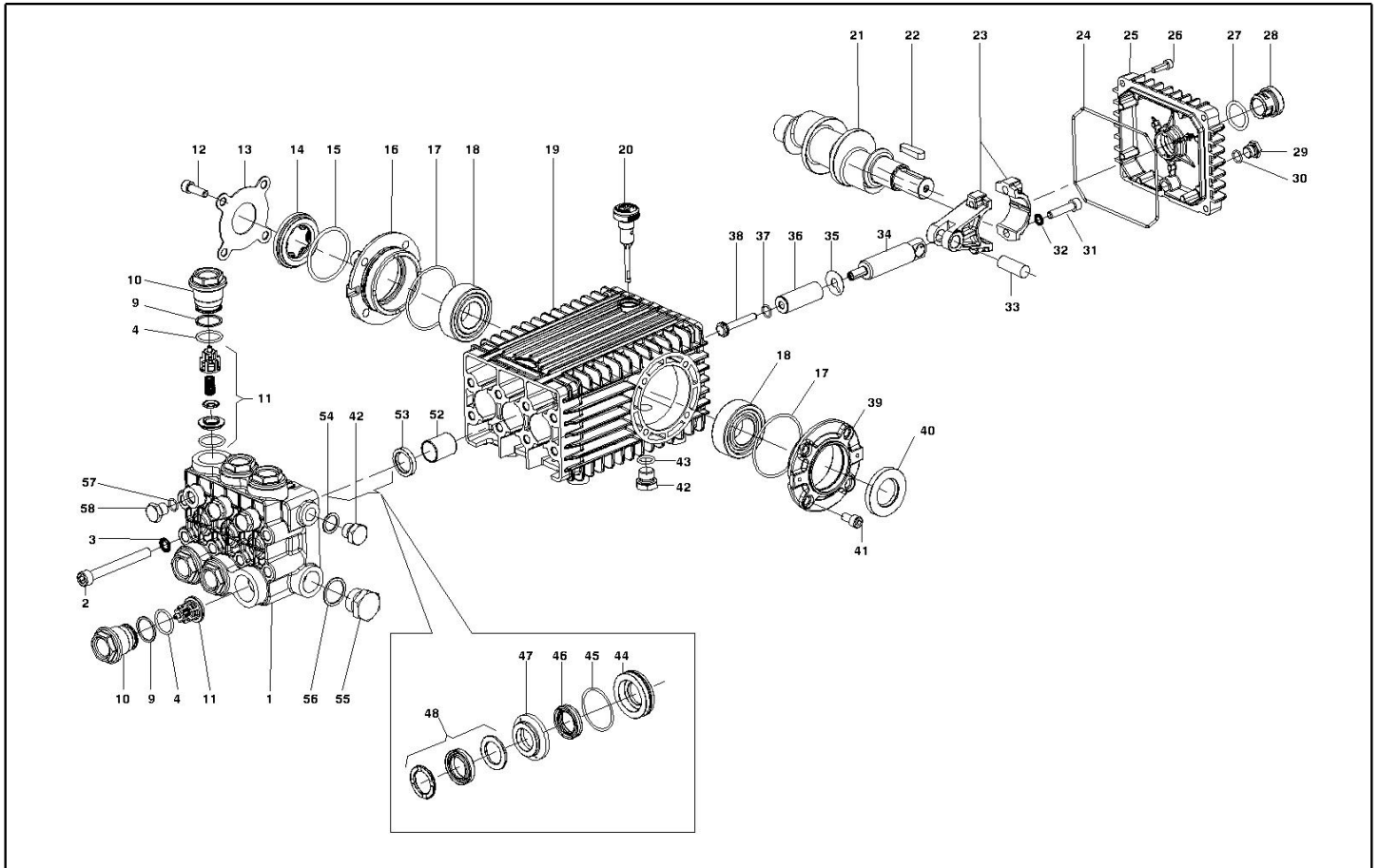
Ref. K	Part n.	Customer part n.	Description	Quantity	Validity		Price
					From	To	
0001	VTVR46568	00046568	PLUG G 4500	1,00			--
0004	MPVR46563	00046563	COVER G 4500	1,00		30/04/2008	--
0004	MPVR40157		COVER G 4500 2V.	1,00	01/05/2008		--
0005	MPVR46572	00046572	SPACER P 330 ST	1,00			--
0006	LCPR46571	00046571	TUBE 1/4 L=352 ZC.	1,00		30/04/2008	--
0006	LCPR40007		TUBE 1/4 L=352 ZC. 2V.	1,00	01/05/2008		--
0008	MPVR46569	00046569	PLATE G 4500 RD.	1,00			--
0009	MPVR40057		TRIGGER G 4500 -SW	1,00			--
0010	PVVR40030		SMALL PISTON TM ST-2300	1,00			--
0011	GUGO10384	00010384	O-RING D. 10 X 2.2 VIT 80SH	1,00			--
0012	RCVR13030	00013030	GUDGEON G 1/4 F L=31.5	1,00			--
0013	GUVR10526	00010526	ANTI-EXTR.RING D.13.9X10.2 C.BZ	1,00			--
0014	MPVR46570	00046570	PROTECTION P 330 ST	1,00			--
0015	PVVR13445	00013445	CONNECTION M 22X1,5 L=45	1,00			--
0016	MPVR40058		RING NUT G4500 SW.	1,00			--
0017	RCIN40001		JOINT SWIV 4500 3/8"F	1,00		30/04/2008	--
0017	RCIN40005		JOINT SWIV 4500 3/8"F 2V.	1,00	01/05/2008		--
0018	RCIN31641	00031641	CONNECTOR SWIV 1500 F	1,00			--
0019	KTRI31645	00031645	KIT P 26- 14	1,00			--
0021	PVVR40031		ROD ST-2300	1,00			--
0022	MPVR46562	00046562	SHELL G 4500	1,00		30/04/2008	--
0022	MPVR40156		SHELL G 4500 2V.	1,00	01/05/2008		--
0023	PVVR40023		TUBE G 1/4" M/M P/SW.	1,00			--
0024	GUGO27021	00027021	O-RING D. 11 X 2.5 EPD 70SH	1,00	01/05/2008		--



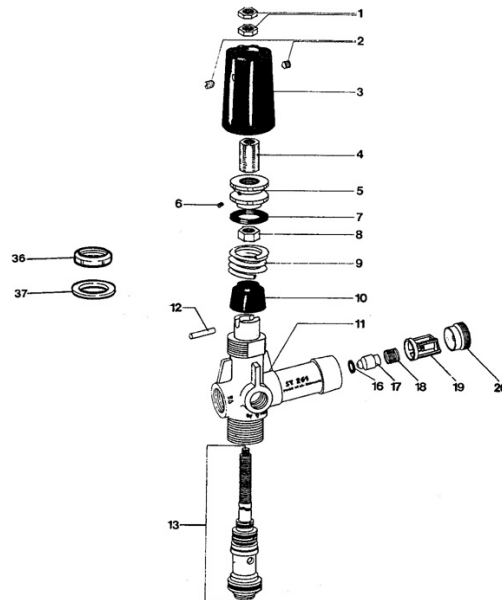
Ref. K	Part n.	Customer part n.	Description	Quantity	Validity		Price
					From	To	
0001	MFVR40005		HEAD "66" D.22 OT	1,00			--
0002	VTVT89456		SCREW TCEI M10X 90 UNI 5931 ZB	8,00			--
0003	VTRS04818	00004818	WASHER D.10.5	8,00			--
0010	RCDS89458		CAP M32X1,5X29,5 "66"	6,00			--
0011	S VVAM89459		VALVE UNIT "66"	6,00			--
0012	VTVT01573	00001573	SCREW TCEI 8X25 UNI5931	4,00			--
0013	LAFN89460		CRANKASE COVER "66" LT.AC.	1,00			--
0014	MFVR28454	00028454	SPACER "44"	1,00			--
0015	GUGO01040	00001040	O-RING D. 55.56 X 3.53 NBR 70SH	1,00			--
0016	MFVR89461		CRANKASE COVER "66" LT.SP.	1,00			--
0017	GUGO01041	00001041	O-RING D. 67.95 X 2.62 NBR 70SH	2,00			--
0018	CUVR89462		ROLLER BEARING NJ 2206 EC	2,00			--
0019	MFVR89463		PUMP CRANKCASE "66"	1,00			--
0020	PVVR01092	00001092	OIL DIPSTICK W 151	1,00			--
0021	ALMO89464		SHAFT "66" N C.19 D.24	1,00			--
0022	VTVR09510	00009510	KEY 8X7X35	1,00			--
0023	BLVR89465		CONNECTING ROD "66"	3,00			--
0024	GUGO34590	00034590	O-RING D. 133.02 X 2.62 NBR 70SH	1,00			--
0025	MFVR89466		CRANKASE COVER "66" PST.	1,00			--
0026	VTVT63040	00063040	SCREW TCEI M 6X20 F.RD.	4,00			--
0027	GUGO01044	00001044	O-RING D. 26.58 X 3.53 NBR 70SH	1,00			--
0028	PVVR46032	00046032	OIL INDICATOR S."63"	1,00			--
0029	RCDS01088	00001088	CAP 1/4X 9 M WW90	1,00			--
0030	GUGO01036	00001036	O-RING D. 10.82 X 1.78 NBR 70SH	1,00			--
0031	VTVT01120	00001120	SCREW TCEI 8X35 UNI5931	6,00			--
0033	PVVR89467		GUDGEON D.14X39 "66"	3,00			--
0034	PVVR89468		PISTON GUIDE "66"	3,00			--
0035	VTRS89469		WASHER D.10 X28X0,5	3,00			--
0036	PIVR88006	00088006	PISTON D.22X54 "66"	3,00			--
0037	GUGO63429	00063429	O-RING D. 10.82 X 1.78-NBR 90SH	3,00			--
0038	PVVR89470		PISTON BOLT "66"	3,00			--
0039	MFVR89471		CRANKASE COVER "66" LT.AB.	1,00			--
0040	S GUGO01003	00001003	OIL SEAL 30X 55X 7 NBR70	1,00			--
0042	RCDS01090	00001090	CAP 3/8X13 M WW90	2,00			--
0043	GUGO01035	00001035	O-RING D. 13.95 X 2.62 NBR 70SH	3,00			--
0044	S PVVR40044		PACKING RETAIN. D. 22 "66"	3,00			--
0045	S GUGO01042	00001042	O-RING D. 34.6 X 1.78 NBR 70SH	3,00			--
0046	S GUVR40011		PACKING D. 22 L.P. "66"	3,00			--
0047	S PVVR40045		INTERMED. RING D. 22 "66"	3,00			--
0048	S GUVR40012		PACKING D. 22 H.P. "66"	3,00			--
0052	PVVR01011	00001011	BUSHING W 151	3,00			--
0053	S GUGO01000	00001000	OIL SEAL 22X 32X 5 NBR70	3,00			--
0054	S VTRS01074	00001074	WASHER D.17,05X22,3 X1,5	1,00			--
0055	PVVR89476		CAP 3/4X16 M "66"	1,00			--



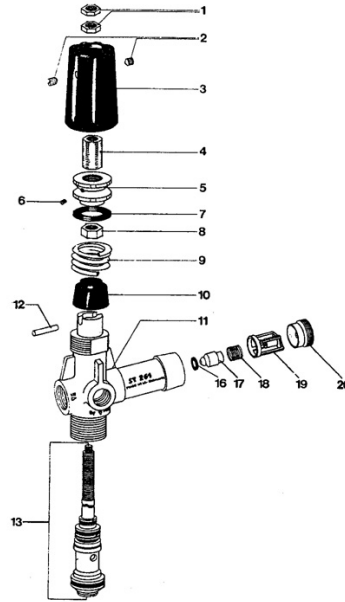
Ref. K	Part n.	Customer part n.	Description	Quantity	Validity		Price
					From	To	
0057	GUGO01036	00001036	O-RING D. 10.82 X 1.78 NBR 70SH	3,00			--
0058	PVVR89477		CAP 1/4X13 M OT	3,00			--



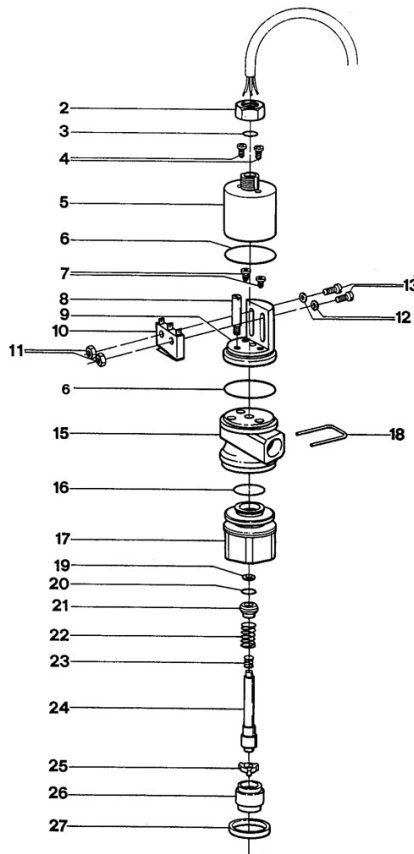
Ref. Part n.	Cust. part n.	Description	Reference	Price
KTRI89486		KIT P 15-182	0045	--
KTRI17860		KIT P 15- 2	0040 0053	--
KTRI88005		KIT P 15-169	0011	--
KTRI88004		KIT P 15-172	0046 0048	--
KTRI40019		KIT P 15-173	0044 0045 0046 0047 0048	--
KTRI14900		KIT P 15- 3	0040	--



Ref. K	Part n.	Customer part n.	Description	Quantity	Validity		Price
					From	To	
0001	VTDD14926	00014926	NUT M6X1 UNI5589	2,00			--
0002	VTVT08589	00008589	SCREW EI-ST 5X 6	2,00			--
0003	MPVR09436	00009436	BLACK KNOB ST 260	1,00			--
0004	PVVR14933	00014933	SCREW	1,00			--
0005	VTVT14927	00014927	SCREW	1,00			--
0006	VTVT14925	00014925	SCREW EI-ST 5X 6 UNI5929	2,00			--
0007	GUVR14928	00014928	RING	1,00			--
0008	VTDD14930	00014930	NUT M8X1 UNI5588	1,00			--
0009	MLML14929	00014929	SPRING D.18X4X28	1,00			--
0010	PVVR16955	00016955	SPRING SEAT ST	1,00			--
0011	PVVR16956	00016956	VALVE BODY ST 261	1,00			--
0012	PVVR16957	00016957	PIN D. 3X13 ST	1,00			--
0013	KTRI16958	00016958	KIT P 14- 20	1,00			--
0016	S GUGO10373	00010373	O-RING D. 5 X 2.5 VIT 80SH	1,00			--
0017	S PVVR08615	00008615	VALVE PART	1,00			--
0018	S MLML08616	00008616	SPRING	1,00			--
0019	S PVVR08617	00008617	VALVE CAGE	1,00			--
0020	PVVR08618	00008618	NUT	1,00			--
0036	PVVR10580	00010580	NUT	1,00			--
0037	VTRS17544	00017544	WASHER D.30X41.5X2 ST	1,00			--



Ref. Part n.	Cust. part n.	Description	Reference	Price
KTR114653	KIT P 14- 4		0016 0017 0018 0019	--



Ref. K	Part n.	Customer part n.	Description	Quantity	Validity		Price
					From	To	
0002	VTDD08624	00008624	NUT ST 260	1,00			--
0003	GUGO10373	00010373	O-RING D. 5 X 2.5 VIT 80SH	1,00			--
0004	VTVT08630	00008630	SCREW TCB 2,9 X 9,5	2,00			--
0005	PVVR08628	00008628	COVERING ST 260 S	1,00			--
0006	GUGO08629	00008629	O-RING D. 24 X 1.5 NBR 70SH	2,00			--
0007	VTVT08630	00008630	SCREW TCB 2,9 X 9,5	2,00			--
0008	PVVR08631	00008631	NUT	1,00			--
0009	PVVR08632	00008632	COVERING ST 260 M	1,00			--
0010	MECI08633	00008633	MICRO-SWITCH ST 261	1,00			--
0011	VTDD08634	00008634	NUT M2	1,00			--
0012	VTRS13332	00013332	WASHER OTT	2,00			--
0013	VTVT08643	00008643	SCREW	2,00			--
0015	PVVR17568	00017568	BODY SW 261	1,00			--
0016	GUGO08609	00008609	O-RING D. 15 X 1.5 EPDM70SH	1,00			--
0017	PVVR17569	00017569	BODY SW 261	1,00			--
0018	VTVR17570	00017570	PLUG ST	1,00			--
0019	GLVR13333	00013333	ANTI-EXTR.RING	1,00			--
0020	GUGO07014	00007014	O-RING D. 3.3 X 2.4 EPDM80SH	1,00			--
0021	PVVR13334	00013334	SPACER OTT	1,00			--
0022	MLML13335	00013335	SPRING	1,00			--
0023	MLML08639	00008639	SPRING	1,00			--
0024	PVVR17571	00017571	ROD ST 261	1,00			--
0025	PVVR08641	00008641	PIN GUIDE	1,00			--
0026	PVVR17572	00017572	SPACER ST	1,00			--
0027	VTRS17573	00017573	WASHER ST	1,00			--